

A COMBINATORIAL INTERPRETATION OF HOFSTADTER'S G-SEQUENCE

MUSTAZEE RAHMAN

ABSTRACT. We give a combinatorial interpretation of a classical meta-Fibonacci sequence defined by $G(n) = n - G(G(n - 1))$ with the initial condition $G(1) = 1$, which appears in Hofstadter's "Gödel, Escher, Bach: An Eternal Golden Braid". The interpretation is in terms of an infinite labelled tree. We then show a couple of corollaries about the behaviour of the sequence $G(n)$ directly from the interpretation.

1. INTRODUCTION

In his book "Gödel, Escher, Bach: An Eternal Golden Braid" Douglas Hofstadter introduced his G -sequence defined as

$$G(n) = n - G(G(n - 1)) ; \quad G(1) = 1. \quad (1.1)$$

This recursion is part of the general family of recursions given by $G(n) = n - G(G^k(n - 1))$ with initial condition $G(1) = 1$. The superscript of $k \geq 1$ means a k -fold composition of the function $G(n)$. Recursions of this form, where the argument of the defining terms depend on previous values of the recursive function, are called meta-Fibonacci or nested recursions. There is knowledge about Hofstadter's G -sequence in literature nowadays, but little is known about the other k -fold recursions above.

Let F_n denote the Fibonacci numbers, defined by $F_n = F_{n-1} + F_{n-2}$ and $F_1 = F_2 = 1$. Meek and Van Rees [5] showed that if $n = F_{r_1} + \dots + F_{r_j}$ is the Zeckendorf representation¹ of n then $G(n) = F_{r_1-1} + \dots + F_{r_j-1}$. Soon both Granville and Rasson [3], and Downey and Griswold [2] showed that $G(n) = \lfloor (n + 1)\phi^{-1} \rfloor$ where $\phi = \frac{\sqrt{5}+1}{2}$ is the golden ratio. Our result is an interpretation for $G(n)$ in terms of counting labels in an infinite labelled tree. After our discovery we learned that the result was known by some in meta-Fibonacci circles, but to the best of our knowledge there is no published proof of this combinatorial interpretation in literature. The purpose of this paper is not only to give a proof of the interpretation, but also to provide motivation for adapting this approach in order to find a combinatorial interpretation of the related k -fold recursion above.

Date: October 2, 2010.

2000 Mathematics Subject Classification. Primary: 05A15; Secondary: 05A19, 11B37, 11B39.

Key words and phrases. nested recursion, meta-Fibonacci, Hofstadter's G -sequence.

¹Given any positive integer n , it is possible to write n uniquely as $n = F_{r_1} + \dots + F_{r_j}$ where $r_i \geq r_{i+1} + 2$ for $1 \leq i \leq j - 1$. This is called the Zeckendorf representation of n .

ACKNOWLEDGEMENTS

The author would like to thank professor Steve Tanny for bringing the questions addressed in this paper to his attention during an undergraduate project. Without his guidance most of this work would not be possible. The author is also grateful to Ilia Smirnov for carefully proofreading the paper.

2. COMBINATORIAL INTERPRETATION OF THE RECURSION $G(n)$

Throughout this section we will refer to Hofstadter's G -sequence as defined in (1.1) as $G(n)$. Table 2.1 contains the first 20 values of $G(n)$. Notice from this table that the difference between a term of $G(n)$ from the previous term is always 0 or 1. Such a sequence of positive integers is called slow-growing. It is not difficult to show via induction that $G(n)$ remains slow-growing for all n . More importantly, let $f(n) = \#G^{-1}(\{n\})$ for $n \geq 1$, which we call the frequency sequence of $G(n)$. The frequency sequence displays many patterns (see Table 2.2), for example, it consists only of 1s and 2s. In fact, let us interpret the frequency sequence as an infinite word $W = \prod_{n=1}^{\infty} f(n)$ where the product stands for concatenation. Setting $w_1 = 2, w_2 = 1, w_3 = 2$, and $w_n = w_{n-1}w_{n-2}$ for $n \geq 4$, we can experimentally verify that the initial segments of the word W factorizes as $W = w_1w_2w_3^2w_4^2 \cdots w_n^2$. Such observations about the frequency sequence motivate us to define a labelled tree such that for each n , $G(n)$ is the label of the parent of vertex $n + 1$.

TABLE 2.1. First 20 terms of $G(n)$

n	1	2	3	4	5	6	7	8	9	10	11	12	13	14	15	16	17	18	19	20
$G(n)$	1	1	2	3	3	4	4	5	6	6	7	8	8	9	9	10	11	11	12	12

TABLE 2.2. First 20 terms of the frequency sequence $f(n)$

n	1	2	3	4	5	6	7	8	9	10	11	12	13	14	15	16	17	18	19	20
$f(n)$	2	1	2	2	1	2	1	2	2	1	2	2	1	2	1	2	2	1	2	1

This tree, denoted as \mathcal{G} , is defined recursively as follows. \mathcal{G} has a root vertex whose left subtree is a copy of \mathcal{G} . The root also has a right child which itself has a copy of \mathcal{G} as its only subtree. The definition is pictured in the left-half of Figure 2.1. The labeling procedure works by denoting the root of \mathcal{G} as vertex 1, and then labeling the vertices in increasing order of their height from the root. All vertices at a specific height are labelled in increasing order from *right to left*. The right half of Figure 2.1 shows \mathcal{G} labeled up to height four.

Lemma 1. *The tree \mathcal{G} contains F_{h+2} vertices at height h . Consequently, the number of vertices in \mathcal{G} from height 0 through h is $F_{h+4} - 2$.*

Proof. From the definition of \mathcal{G} we note that vertices at height h of \mathcal{G} consists of vertices at height $h - 2$ of \mathcal{G} contributed by the right subtree of the root and vertices at height $h - 1$ contributed by the left subtree of the root. As such, the number of vertices at height

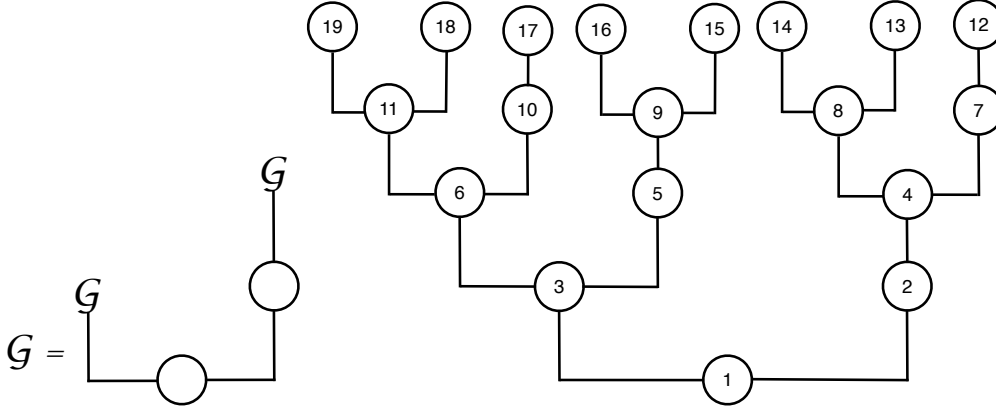


FIGURE 2.1. \mathcal{G} is defined on the left. To the right is \mathcal{G} labelled up to height 4.

h satisfies the Fibonacci recursion with initial conditions F_2 and F_3 for heights 0 and 1 respectively. It follows that there are F_{h+2} vertices at height h and that the number of vertices from height 0 to h is $F_2 + \dots + F_{h+2} = F_{h+4} - 2$. We deduce the latter from the well-known Fibonacci identity $F_1 + \dots + F_h = F_{h+2} - 1$. See, for example, [1, p. 2] where a combinatorial proof is provided. \square

Remark 1. We could alter the tree \mathcal{G} to make it so that $G(n)$ is the label of the parent of vertex n . To do this we need to insert a new vertex below the current root of \mathcal{G} and then attach it to the root. We then redo the labeling starting from the new vertex. However, there are certain advantages with the current definition. First, we think that it makes the recursive definition of \mathcal{G} more pleasant. Further, the definition as it stands will make some of the computations in the proof of the combinatorial interpretation easier and the exposition more clear.

Theorem 2.1. *Let $g(n)$ denote the label of the parent of vertex $n + 1$ in the infinite tree \mathcal{G} . Then $g(n)$ satisfies the recursion $g(n) = n - g(g(n - 1))$ with the initial value $g(1) = 1$.*

Proof. The proof is by induction on the vertex labels n . By comparing the values of $G(n)$ from Table 2.1 with the values of $g(n)$ from Figure 2.1, we see that the theorem holds for the first 19 vertices, which consists of all vertices of \mathcal{G} up to height 4. Now suppose that vertex $n + 1$ is located at height $h > 4$ and that the theorem holds for all vertices in \mathcal{G} preceding $n + 1$.

As $h > 4$, vertex $n + 1$ is either located on the left subtree of vertex 1 or on the subtree emanating from vertex 2. Both these subtrees are a copy of \mathcal{G} . Denote the subtree containing vertex $n + 1$ as \mathcal{G}' , and the subtree not containing $n + 1$ as \mathcal{G}'' . If we now remove all the labels of \mathcal{G}' that it inherits from \mathcal{G} , and relabel \mathcal{G}' in the same manner as we labeled \mathcal{G} starting from 1, then vertex $n + 1$ of \mathcal{G} will receive a new label $n_0 + 1$ on \mathcal{G}' with $n_0 < n$ since $n_0 + 1$ is located at a lower height in \mathcal{G}' . (Specifically, at height $h - 1$ of \mathcal{G}' if \mathcal{G}' is the left subtree of vertex 1 or at height $h - 2$ of \mathcal{G}' if it is the subtree of vertex

2.) As an example, consider $n + 1 = 10$ in which case \mathcal{G}' is the left subtree of vertex 1 and $n_0 + 1 = 5$. We establish the recursive formula at index n through its validity at index n_0 and by evaluating the differences $(n+1)-(n_0+1)$, $g(n)-g(n_0)$, and $g(g(n-1))-g(g(n_0-1))$.

Evaluating $(n + 1) - (n_0 + 1)$: The difference $(n + 1) - (n_0 + 1)$ is the number of vertices in \mathcal{G} consisting of vertices 1, 2, and all the vertices preceding $n + 1$ that are in \mathcal{G}'' . Such vertices preceding $n + 1$ in \mathcal{G}'' consist of all vertices from height 0 to $h - 2$ of \mathcal{G}'' . As \mathcal{G}'' is isomorphic to \mathcal{G} , there are $F_{h+2} - 2$ vertices from height 0 to $h - 2$ by Lemma 1. Therefore,

$$n + 1 = (n_0 + 1) + 2 + (F_{h+2} - 2). \quad (2.1)$$

Evaluating $g(n) - g(n_0)$: To this end notice that the parent of vertex $n + 1$ in \mathcal{G} is the same as the parent of the vertex labelled $n_0 + 1$ in \mathcal{G}' , but its label differs between the two trees. Vertices 1 or 2 cannot be the parent as $n + 1$ is above height 4. The difference $g(n) - g(n_0)$ is again given by accounting for vertices 1 and 2 in \mathcal{G} along with the vertices in \mathcal{G} preceding the parent of $n + 1$ and residing in \mathcal{G}'' . Since the parent of vertex $n + 1$ is at height $h - 1$ of \mathcal{G} , the vertices in \mathcal{G}'' that precede the parent of $n + 1$ range from height 0 to $h - 3$ of \mathcal{G}'' . Counting as before we deduce that $g(n) - g(n_0) = F_{h+1}$. Thus, since $n = n_0 + F_{h+2}$ from (2.1), we conclude that

$$n - g(n) = n_0 - g(n_0) + F_h. \quad (2.2)$$

Evaluating $g(g(n-1)) - g(g(n_0-1))$: We begin by showing that except for some instances vertex $g(g(n-1))$ in \mathcal{G} is the same as the one labeled $g(g(n_0-1))$ in the separate labeling of \mathcal{G}' . In this case we will be able to compute $g(g(n-1)) - g(g(n_0-1))$ readily. Let us assume that vertex $n + 1$, considered as a vertex of \mathcal{G} situated in the subtree \mathcal{G}' , is not the first or last vertex at its height in \mathcal{G}' .

A consequence of vertex $n + 1$ not being the first vertex at its height in \mathcal{G}' is that vertex n lies in \mathcal{G}' and points to the same vertex as the one labelled n_0 in the separate labeling of \mathcal{G}' . As such $g(n - 1)$ points to the parent vertex of n_0 in \mathcal{G}' , which is labelled $g(n_0 - 1)$ in the separate labeling of \mathcal{G}' . This parent cannot be the last vertex at its height in \mathcal{G}' , for otherwise, it would be the common parent of vertices n_0 and $n_0 + 1$ in \mathcal{G}' located at the height above. This would make $n_0 + 1$ the last vertex at its height in \mathcal{G}' , contradicting the assumption that vertex $n + 1$ in \mathcal{G} , pointing to the same vertex as the one separately labeled $n_0 + 1$ in \mathcal{G}' , is not so.

As vertex $g(n - 1)$ of \mathcal{G} is not the last vertex at its height in the subtree \mathcal{G}' , vertex $g(n - 1) + 1$ of \mathcal{G} lies in the subtree \mathcal{G}' and points to the same vertex as the one separately labelled $g(n_0 - 1) + 1$ in \mathcal{G}' . Hence the parent of vertex $g(n - 1) + 1$ in \mathcal{G} , lying at height $h - 2$ of \mathcal{G} , also lies in \mathcal{G}' and points to vertex $g(g(n_0 - 1))$ in the separate labeling of \mathcal{G}' (recall that $h > 4$ so vertex $g(g(n_0 - 1))$ is defined in \mathcal{G}'). This confirms that vertex $g(g(n - 1))$ in \mathcal{G} is the same as the vertex labeled $g(g(n_0 - 1))$ in \mathcal{G}' .

The difference $g(g(n - 1)) - g(g(n_0 - 1))$ in labels again comes from vertices 1, 2 and all vertices in \mathcal{G} preceding $g(g(n - 1))$ that lie on \mathcal{G}'' . Since vertex $g(g(n - 1))$ is at height $h - 2$ of \mathcal{G} , the vertices preceding $g(g(n - 1))$ that lie on \mathcal{G}'' range from height 0 to $h - 4$

of that subtree. There are $F_h - 2$ of them by Lemma 1 and thus

$$g(g(n-1)) = g(g(n_0-1)) + 2 + (F_h - 2) = g(g(n_0-1)) + F_h.$$

By the induction hypothesis $n_0 - g(n_0) = g(g(n_0-1))$, and so by (2.2) we get

$$n - g(n) = n_0 - g(n_0) + F_h = g(g(n_0-1)) + F_h = g(g(n-1)).$$

We now deal with the exceptional cases, assuming first that vertex $n+1$ in \mathcal{G} is located on the left subtree of vertex 1 and at height $h > 4$. Deviating from the previous notation a bit, denote the left subtree containing $n+1$ as \mathcal{G}_l and the subtree emanating from vertex 2 as \mathcal{G}_r . Vertex $n+1$ is at height $h-1$ of \mathcal{G}_l . If it is the first vertex at height $h-1$ of \mathcal{G}_l then vertex n is the last vertex at height $h-2$ of \mathcal{G}_r . So $g(n-1)$ is the last vertex at height $h-3$ of \mathcal{G}_r and so $g(n-1)+1$ is the first vertex at height $h-2$ of \mathcal{G}_l . Vertex $g(g(n-1))$ is then the first one at height $h-3$ of \mathcal{G}_l .

Meanwhile, when \mathcal{G}_l is labeled separately as before, vertex $n+1$ in \mathcal{G} will again point to the same vertex as some vertex labeled n_0+1 in \mathcal{G}_l . Then the vertex labeled n_0 in \mathcal{G}_l becomes the last vertex at height $h-2$ of \mathcal{G}_l , which implies that $g(n_0-1)$ is the last vertex at height $h-3$ of \mathcal{G}_l , and $g(n_0-1)+1$ is thus the first vertex of \mathcal{G}_l at height $h-2$. So vertex $g(g(n_0-1))$ in \mathcal{G}_l , the parent of $g(n_0-1)+1$, is the first vertex at height $h-3$ of \mathcal{G}_l . It points to the same vertex as the one labelled $g(g(n-1))$ in \mathcal{G} . The difference $g(g(n-1)) - g(g(n_0-1))$ is thus F_h due to the same reasons as in the previous case. Thus from the induction hypothesis for n_0 , we deduce as before that $n - g(n) = g(g(n-1))$.

When vertex $n+1$ in \mathcal{G} is the last vertex at height at height $h-1$ of \mathcal{G}_l , vertex $g(n-1)$ is the common parent of vertices n and $n+1$, situated as the last vertex at height $h-2$ of \mathcal{G}_l . So $g(n-1)+1$ is the first vertex at height $h-2$ of \mathcal{G}_r making $g(g(n-1))$ the first vertex at height $h-3$ of \mathcal{G}_r . On the other hand, with n_0+1 defined as before, vertex $g(n_0-1)$ in \mathcal{G}_l will be the first one at height $h-2$ of \mathcal{G}_l . Both vertices $g(g(n-1))$ and $g(g(n_0-1))$ are located at height $h-1$ of \mathcal{G} .

One must be careful about calculating $g(g(n-1)) - g(g(n_0-1))$ because vertex $g(g(n-1))$ of \mathcal{G} occurs *before* the vertex pointing to $g(g(n_0-1))$ in \mathcal{G} . Although the label of the latter vertex on \mathcal{G}_l , which is $g(g(n_0-1))$, is less than $g(g(n-1))$. In this situation we simply note that since vertex $g(g(n_0-1))$ is the first one at height $h-2$ of \mathcal{G}_l , its label is $F_2 + \dots + F_{h-1} + 1 = F_{h+1} - 1$. Similarly, as $g(g(n-1))$ is the first vertex at height $h-1$ of \mathcal{G} , its label is $F_{h+2} - 1$. Therefore $g(g(n-1)) - g(g(n_0-1)) = F_{h+2} - F_{h+1} = F_h$. As before it follows from the induction hypothesis on n_0 that $n - g(n) = g(g(n-1))$.

When vertex $n+1$ is located on the subtree \mathcal{G}_r , the exceptional cases are analogous to the previous ones. The case for vertex $n+1$ being the last one at height $h-2$ of \mathcal{G}_r is analogous to the case when $n+1$ is the first vertex at height $h-1$ of \mathcal{G}_l . When vertex $n+1$ is the first vertex at height $h-2$ of \mathcal{G}_r the situation is analogous to when $n+1$ is the last vertex at height $h-1$ of \mathcal{G}_l . This completes our induction and the proof of the theorem. \square

We now present a corollary which is the simplest case of Meek and Van Rees's result on how $G(n)$ acts on positive integers when written in their Zeckendorf representation. Recall from the introduction that the authors showed if $n = F_{r_1} + \dots + F_{r_j}$ is the Zeckendorf

representation of n then $G(n) = F_{r_1-1} + \cdots + F_{r_j-1}$. We now show this for $n = F_r$, that is, for the Fibonacci numbers. With more work one could get the whole result from the combinatorial interpretation but we will not pursue that direction. Instead we will prove the factorization property of the word $\prod_{n=1}^{\infty} f(n)$ that we observed earlier experimentally, and which led to our discovery of the combinatorial interpretation for $G(n)$.

Corollary 2.2. $g(F_n) = F_{n-1}$ for $n \geq 2$, where F_n is the n^{th} Fibonacci number.

Proof. For $n > 4$, the second vertex at height $n - 3$ is labeled $F_2 + \cdots + F_{n-2} + 2 = F_n$. Its parent is the first vertex at height $n - 4$ with label $F_{n-1} - 1$. Thus the parent of vertex $F_n + 1$ is the second vertex at height $n - 4$ since the first one has vertices $F_n - 1$ and F_n as its children. Hence $g(F_n) = F_{n-1}$. For $2 \leq n \leq 4$, one can verify the claim from Figure 2.1. \square

Corollary 2.3. Define words $w_1 = 2, w_2 = 1, w_3 = 2 = w_1$ and $w_n = w_{n-2}w_{n-1}$ for $n > 3$. Let $f(n)$ denote the frequency sequence of $g(n)$. The infinite word $W = \prod_{n=1}^{\infty} f(n)$ factorizes as $W = w_1w_2 \prod_{n=3}^{\infty} w_n^2$.

Proof. The combinatorial interpretation makes it clear that $g(n)$ is slow-growing, and Theorem 2.1 implies that the frequency sequence of $G(n)$ from (1.1) is the same as that of $g(n)$. We note that $f(n)$ is the number of children of vertex n in \mathcal{G} . Indeed, if vertex n has children labeled from a to b then $g(k) = n$ precisely when k ranges from $a + 1$ to $b + 1$. Let W_h denote the word produced by concatenating from left to right the values of $f(n)$ as n ranges in increasing order over the vertices at height h of \mathcal{G} . For $h > 1$, the vertices at height h of \mathcal{G} are arranged by placing the vertices at height $h - 2$ of \mathcal{G} to the right of the vertices at height $h - 1$ of \mathcal{G} , following from the recursive definition of \mathcal{G} . Thus $W_h = W_{h-2}W_{h-1}$ with $W_0 = 2$ and $W_1 = 12$. We show that $W_h = w_{h+1}w_{h+2}$ for $h > 0$. We have that $W_1 = 12 = w_2w_3$ and $W_2 = 212 = w_3w_4$. Assuming that $W_h = w_{h+1}w_{h+2}$ for $1 \leq h < N$, we get that $W_N = W_{N-2}W_{N-1} = w_{N-1}w_Nw_Nw_{N+1} = w_{N+1}w_{N+2}$ where the last equality uses the recursive definition of w_n . The claim follows by induction. Finally, to finish the proof we note that $W_0 = 2 = w_1$ and so

$$\prod_{n=1}^{\infty} f(n) = \prod_{h=0}^{\infty} W_h = W_0 \prod_{h=1}^{\infty} W_h = w_1 \prod_{h=1}^{\infty} w_{h+1}w_{h+2} = w_1w_2 \prod_{h=3}^{\infty} w_h^2.$$

\square

The consequence of Corollary 2.3 is that it allows us to view the word W as two intertwined copies of itself along with the initial seeds w_1 and w_2 . More precisely, the above factorization shows that $W = w_1w_2 \prod_{n=3}^{\infty} w_n^2 = w_3 \prod_{n=2}^{\infty} w_nw_{n+1} = w_3 \prod_{n=2}^{\infty} w_{n+2} = \prod_{n=3}^{\infty} w_n$. What we hope is that one can find analogous factorizations of the frequency sequences generated by the k -fold recursions that was discussed in the introduction. In this manner one may find corresponding infinite trees for the k -fold recursions and proceed to derive a combinatorial interpretation.

REFERENCES

- [1] A.T. Benjamin and J.J. Quinn, Proofs that Really Count, The Mathematical Association of America, 2003.
- [2] P.J. Downey and R.E. Griswold, On a family of nested recursions, Fibonacci Quarterly 22 (1984), no. 4, 310–317.
- [3] V. Granville and J-P Rasson, A strange recursive relation, J. Number Theory 30 (1988), no. 2, 238–241.
- [4] D. R. Hofstadter, Gödel, Escher, Bach: An Eternal Golden Braid, Random House, 1979.
- [5] D.S. Meek and G.H. Van Rees, The solution of an iterated recurrence, Fibonacci Quarterly 22 (1984), no. 2, 101–104.

DEPARTMENT OF MATHEMATICS, UNIVERSITY OF TORONTO, 40 ST. GEORGE STREET, ON M5S 2E4,
CANADA

E-mail address: `mustazee.rahman@utoronto.ca`