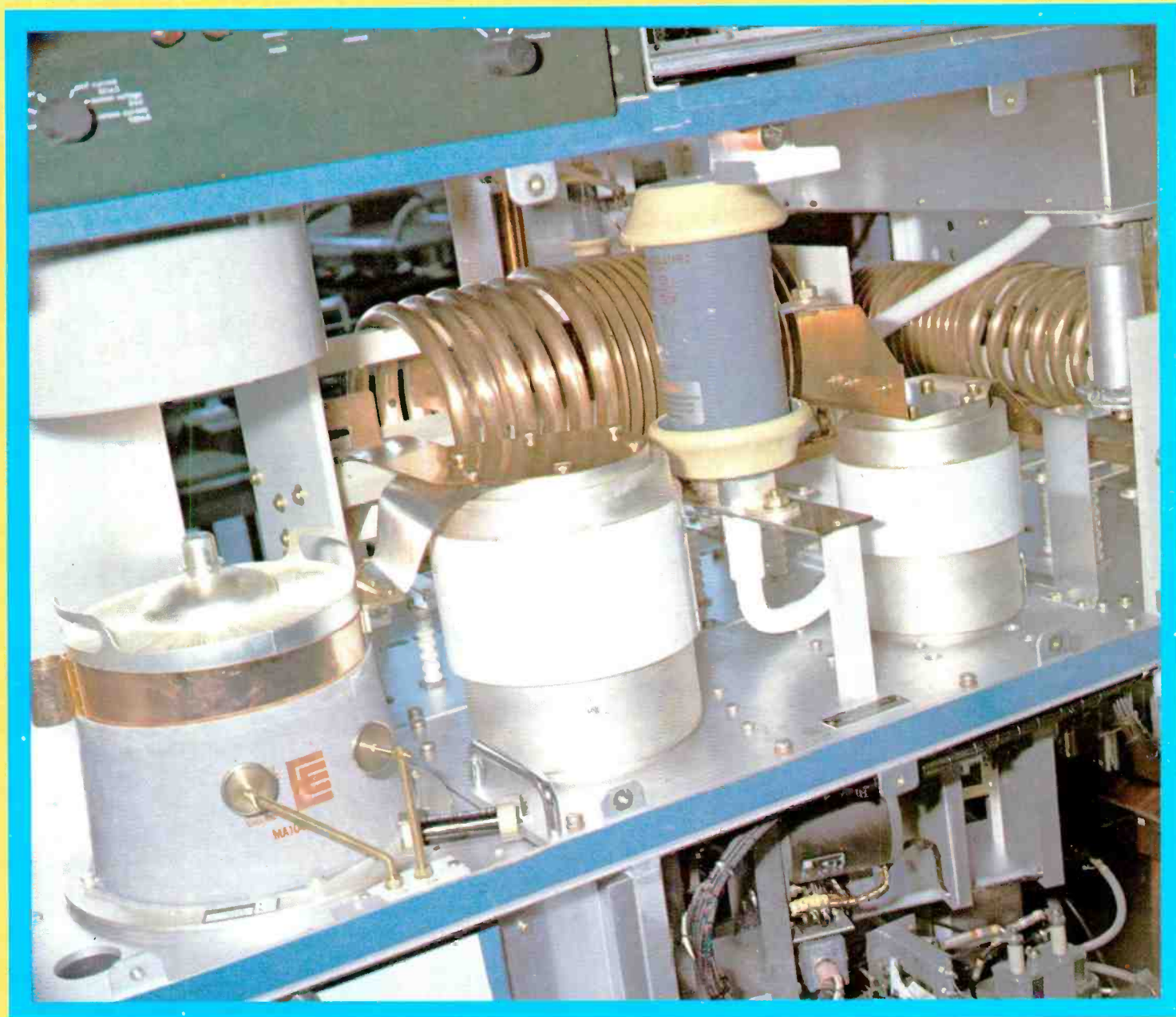


wireless world

Australia AS 2.40
Canada C\$ 4.25
Denmark DKr. 20.25
Germany Dm. 6.00
Greece Dra. 125.00
Holland Dfl. 5.75
Italy L.2300
Norway NKr. 21.00
Singapore M\$ 5.50
Spain Pts. 180.00
U.S.A. \$3.75

MAY 1981 60p



Digital capacitance meter
New Wien oscillator
Receiving tv in no-signal areas

TESTING MOBILE RADIOS?

... catch this bus with Farnell

and arrive economically at an efficient ATE workstation.

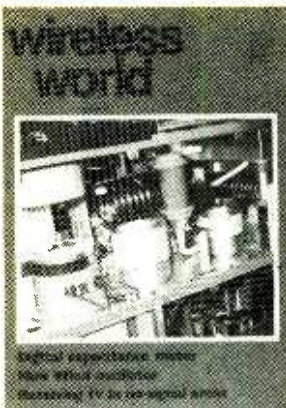
Comprehensive testing under low cost desk computer control.

Manual systems too.



INTERFACE WITH US NOW!

Ask for details from:



Front cover shows power output stage of 10kW linear h.f. amplifier by Marconi, photographed by Paul Brierley.

IN OUR NEXT ISSUE

Morse code lock is operated by keying in up to sixteen characters, which are compared with code in memory.

Audio millivoltmeter uses l.e.d.s to provide rapid peak-reading display. Will read d.c. and is battery operated.

Remote keyboard for access to a computer without disabling the existing keyboard. RS232 serial transmission is used for computer/keyboard link and no complex software is required.

Current issue price 60p, back issues (if available) £1.00, at Retail and Trade Counter, Units 1 & 2, Bankside Industrial Centre, Hopton Street, London SE1. Available on microfilm; please contact editor.

By post, currently issue 96p, back issues (if available) £1.50, order and payments to EEP General Sales Dept., Quadrant House, The Quadrant, Sutton, Surrey SM2 5AS.

Editorial & Advertising offices: Quadrant House, The Quadrant, Sutton, Surrey SM2 5AS.

Telephones: Editorial 01-661 3500. Advertising 01-661 3129.

Telegrams/Telex: 892084 BISPRS G.

Subscription rates: 1 year £10.00 UK and \$33.80 outside UK.

Student rates: 1 year £5.00 UK and \$16.00 outside UK.

Distribution: 40 Bowling Green Lane, London EC1R 0NE. Telephone 01-837 3636.

Subscriptions: Oakfield House, Perrymount Road, Haywards Heath, Sussex RH16 3DH. Telephone 0444 59188. Please notify a change of address.

USA mailing agents: Expeditors of the Printed World Ltd, 527 Madison Avenue, Suits 1217, New York, NY 10022. 2nd-class postage paid at New York.

© IPC Business Press Ltd, 1981 ISSN 0043 6062

wireless world

ELECTRONICS/TELEVISION/RADIO/AUDIO

MAY 1981 Vol 87 No 1544

37 Pass band

38 Digital capacitance meter
by I. H. Ibrahim

42 Data store by running average
by J. L. Gordon

45 Measuring transient intermodulation in audio amplifiers
by P. Antoniazzi, C. Buongiovanni and S. Tintori

48 Television for no-signal areas
by J. H. Osborne

51 Wien-bridge oscillator with low harmonic distortion
by J. L. Linsley Hood

54 World of amateur radio

55 Letters to the editor
Engineering education Computer architecture
'Just detectable' distortion

60 Circuit ideas
A-to-d converter Digital sine-wave generator Variable pulse delay

65 Precision pulse generator
by L. Hayward and G. E. G. Sargent

68 Bandpass audio filter
by L. Hurst

71 News of the month
Microcomputers in the home Wave energy research
Rumblings over c.b.

75 Time sharing limited mains supplies
by L. Hayward

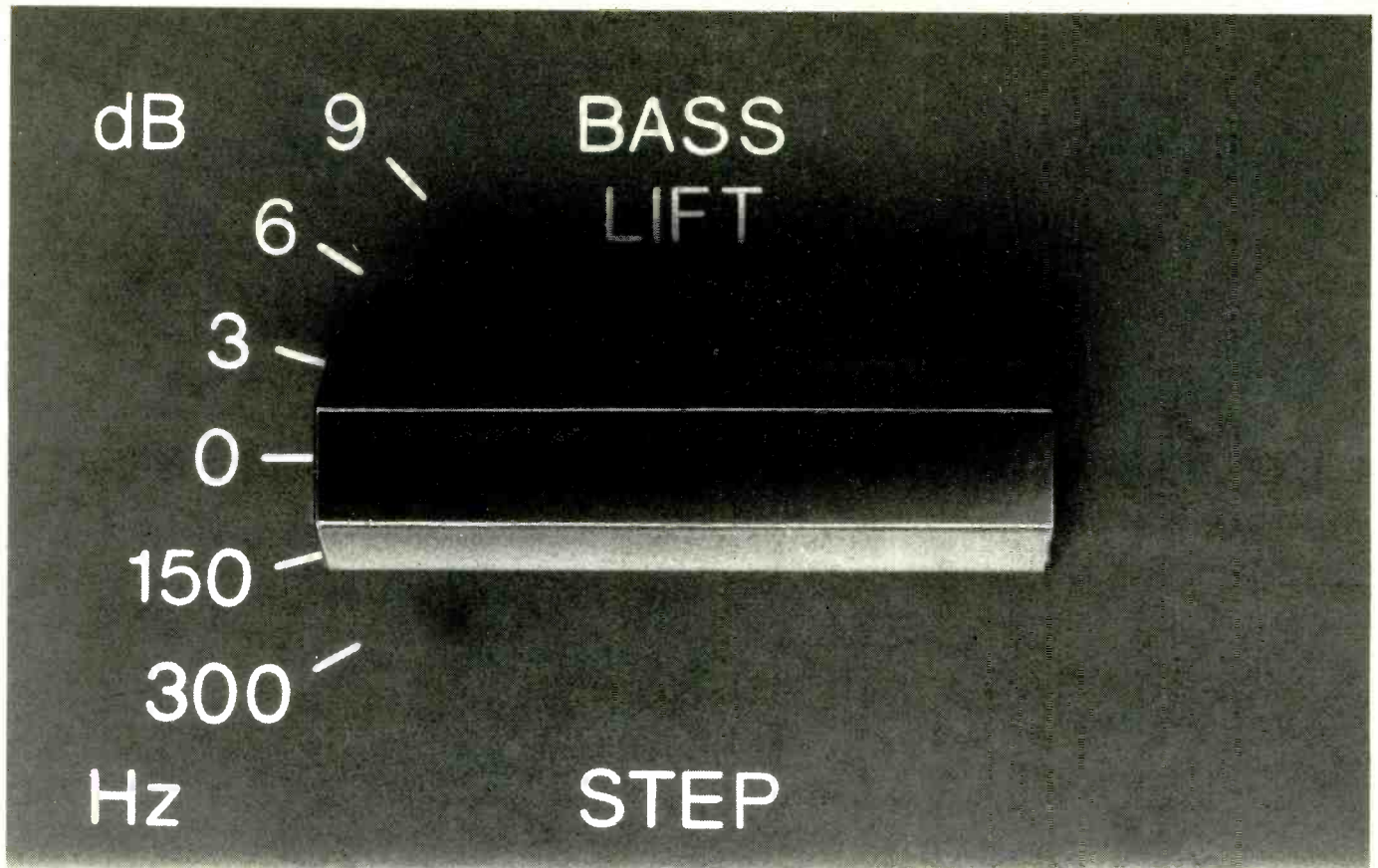
79 Universal second-order filter
by F. S. Atiya, A. M. Soliman and T. N. Saadawi

83 Op-amp tone control
by Winthrop S. Pike

86 An appreciation of James Clerk Maxwell 1831-1879 - 2
by M. G. Wellard

90 New products

92 Sidebands



If everything were perfect...

It is rarely necessary to have to boost the bass response of a top quality high fidelity system, (although the Quad 44 tilt control does enable subtle changes to be made to the overall balance of the programme), but there are a number of high quality loudspeakers on the market, which because of their Lilliputian dimensions, necessarily have attenuated low frequency response and the Quad 44 is fitted with a bass control which in the lift position provides optimum equalisation.

Considerations of domestic harmony frequently dictate loudspeaker placement that is less than ideal. The almost inevitable result is the excitation of the fundamental eigentones of the room and music reproduction with a characteristic and unpleasant honk:

The step side of the Quad 44 bass control switch eliminates this problem without rolling off the low frequency information, simply by putting a 5dB step in the frequency response, reproducing domestic bliss and a closer approach to the original sound!

To learn all about the Quad 44 write or telephone for a leaflet.

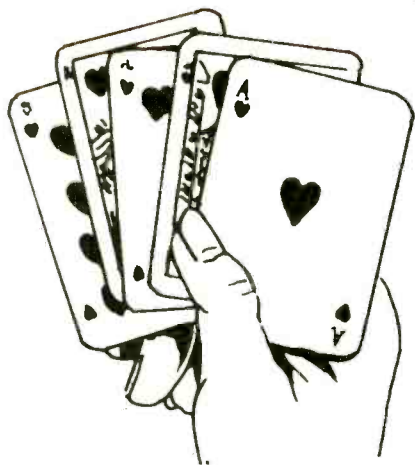
The Acoustical Manufacturing Co. Ltd., Huntingdon PE18 7DB. Telephone: (0480) 52561.

QUAD 
for the closest approach
to the original sound

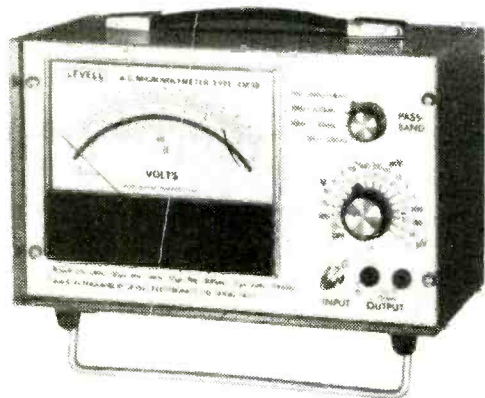


QUAD is a registered trade mark.

WW - 005 FOR FURTHER DETAILS



DON'T GAMBLE WITH PERFORMANCE BUY LEVELL VOLTMETERS



A.C. MICROVOLTMETERS

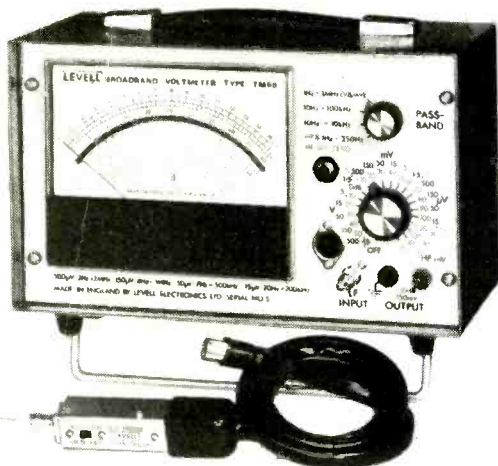
VOLTAGE & dB RANGES 15 μ V, 50 μ V, 150 μ V ... 500V fsd.
Acc. $\pm 1\% \pm 1\%$ fsd $\pm 1\mu$ V at 1kHz.
-100, -90 ... +50dB.
Scale -20dB / +6dB ref. 1mW / 600 Ω .

RESPONSE ± 3 dB from 1 Hz to 3MHz,
 ± 0.3 dB from 4 Hz to 1MHz above 500 μ V.
TM3B filter switch: LF cut 10Hz,
HF cut 100kHz, 10kHz or 350Hz.

INPUT IMPEDANCE Above 50mV: 10M Ω < 20pF.
On 50 μ V to 50mV: > 5M Ω < 50pF.

AMPLIFIER OUTPUT 150mV at fsd.

type **TM3A** £130 type **TM3B** £145



BROADBAND VOLTMETERS

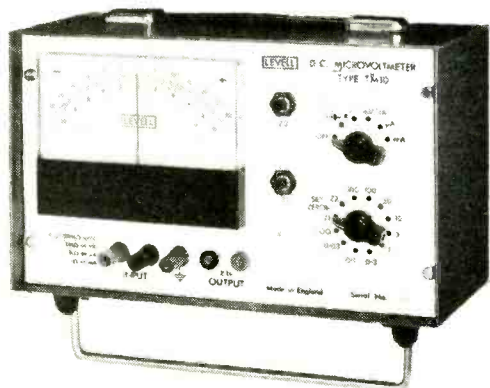
H.F. VOLTAGE & dB RANGES 1mV, 3mV, 10mV ... 3V fsd.
Acc. $\pm 4\% \pm 1\%$ fsd at 30MHz.
-50, -40 ... +20dB.
Scale -10dB / +3dB ref. 1mW / 50 Ω .

H.F. RESPONSE ± 3 dB from 300kHz to 400MHz.
 ± 0.7 dB from 1MHz to 50MHz.

L.F. RANGES As TM3.

AMPLIFIER OUTPUT Square wave at 20Hz on H.F. with
amplitude proportional to square of input.
As TM3 on L.F.

type **TM6A** £199 type **TM6B** £215



D.C. MICROVOLTMETERS

VOLTAGE RANGES 30 μ V, 100 μ V, 300 μ V ... 300V.
Acc. $\pm 1\% \pm 2\%$ fsd $\pm 1\mu$ V. CZ scale.

CURRENT RANGES 30pA, 100pA, 300pA ... 300mA.
Acc. $\pm 2\% \pm 2\%$ fsd ± 2 pA. CZ scale.

LOG RANGE $\pm 5\mu$ V at $\pm 10\%$ fsd, ± 5 mV at $\pm 50\%$ fsd,
 ± 500 mV at fsd.

RECORDER OUTPUT ± 1 V at fsd into > 1k Ω .

type **TM10** £106

These instruments incorporate many useful features, including long battery life. All A type models have 83mm scale meters and case sizes of 185 x 110 x 130mm. B types have 127mm mirror scale meters and case sizes of 260 x 125 x 180mm. Fully detailed specification sheets are available on request for our complete range of portable instruments. Prices are ex-works, carriage, packing and VAT extra. Optional extras are leather cases and power units.

LEVELL ELECTRONICS LTD.

MOXON STREET, BARNET, HERTS., EN5 5SD.
TEL: 01-449 5028/440 8686

WW-024 FOR FURTHER DETAILS

SUPERLATIVE U CALIBRATED TO

The Electronic Brokers GUARANTEE

Unless otherwise stated, all test equipment sold by us carries a 12 month warranty; For VDUs and Teletypes we offer a 90 days warranty, and computers are offered with on site acceptance and diagnostic tests (which may qualify them for independent on-going maintenance). When you buy from Electronic Brokers you know the equipment is in 'top notch' condition. It is refurbished in our own service laboratories and checked to meet the original manufacturer's sales specifications. And it's serviced by our own highly qualified technicians.

A copy of our Trading Conditions is available on request.

..... May 1981..... Latest Test Equipment

ANALOGUE VOLTMETERS AND MULTIMETERS

Boonton.
93A True RMS Voltmeter. Bandwidth 10Hz-20MHz. 1mV-300 FSD. **£375.00**



Fluke.
883AB AC/DC Differential Voltmeter. 20Hz-100KHz. 1mV-1100V. Very high accuracy. **£975.00**

895A DC Differential Voltmeter. 0-1100V. Null sensitivity. 100µV-100V. Very high accuracy. **£950.00**

Hewlett Packard.
400E AC Millivoltmeter. 10Hz-10MHz. 1mV-300V. DC o/p proportional to i/p. **£235.00**
7563A DC Log Voltmeter / Amplifier. Single i/p range 360µV-100V. O/P 0.1. 1V @ 10mV/dB. **£250.00**

Marconi.
TF2600 AC Millivoltmeter. 10Hz-5MHz. 1mV-300V. **£175.00**
TF2604 Electronic Voltmeter. AC 20Hz-1.5GHz. 300mV-1KV. DC 10mV-1KV. 0.2B-500MB. **£350.00**
TF2606 DC Differential Voltmeter. 1mV-1100V on 5 decade dials. **£200.00**

Phillips.
PM2454B AC Millivoltmeter. 10Hz-12MHz. 1mV-300V. **£195.00**

ANALYSERS

Blomation.
1650D 16 Channel Logic Analyser. Displays Timing, Map, hex, octal. Clock rate upto 50MHz. Supplied with display formatter and a Hameg HM312-B oscilloscope. **£3600.00**

Dymar.
1771 LF Wave Analyser. 20Hz-50KHz. 30µV-300V. **£275.00**

General Radio.
1911A Sound and Vibration Analyser. C/W Graphic level recorder. 4.5Hz-25KHz. 1/3 or 1/10 octave. **£950.00**
8407A/B912A Network Analyser. C/W 8600A/8601A sweeper. 0.1-110MHz. **£3500.00**

Hewlett Packard.
141T-8552B-8554B Spectrum Analyser. 100KHz-1250MHz. +10 to -122dBm. Variable persistence display. **£5400.00**
3580A LF Spectrum Analyser. 5Hz-50KHz. 30nV sensitivity. **£1950.00**

Marconi.
TF2330 Wave Analyser. 20Hz-20KHz. 30µV-300V. **£395.00**

Tektronix.
491 Spectrum Analyser. 10MHz-2GHz direct. Up to 40GHz with optional mixers. **£4150.00**

Wayne Kerr.
RA200 Frequency Response Analyser. Frequency range 20Hz-30KHz or 200Hz-200KHz. 11 in. crt display. **£850.00**

BRIDGES & COMPONENT TESTERS

Boonton.
63H Inductance Bridge. 0-110mH. Bridge frequency 5-500KHz. **£1250.00**
280AP VHF O Meter. Q 20 to 25,000. 210-610MHz. **£650.00**

General Radio.
1607A Transfer Function and Impedance Bridge. 25-1500MHz. Direct reading. **£750.00**

Marconi.
TF1245-TF1246-TF1247 'Q' Meter and Oscillators. Q 5 to 500. 40KHz-300MHz. **£950.00**

TF1313/2MI 0.25% LCR Bridge. 0.1µH-110H. 0.1pF-100µF. 3mΩ-110MΩ. 1 and 10KHz. **£325.00**

Rohde & Schwarz.
KRT (BN5100) Capacitance Meter. 1pF-100µF. 2.2-285KHz. **£395.00**
LRT (BN6100) Inductance Meter. 1pH-100µH. 2.2-285KHz. **£395.00**

Wayne Kerr.
B641 0.1% LCR Bridge. 0.002pF-50,000µF. 200nH-5MH. 2mΩ-50,000MΩ. 20µV-500V. **£415.00**

CALIBRATION EQUIPMENT

Advance.
OFS2B Off Air Frequency Standard. O/P 1 and 10MHz. **£95.00**

Bradley.
125B AC Calibrator. 0.5-11V in 0.1V steps @ 50-60-400Hz. **£425.00**

Fluke.
332A DC Voltage Calibrator. 0 to 1111.1110V. 0.1ppm resolution. 0.003% calibration accuracy. **£1495.00**
760 Meter Calibrator. DC/AC Volts and current. **£2150.00**

Hewlett Packard.
741B DC Voltage Source and AC/DC Differential Voltmeter. **£695.00**

Tektronix.
191 Constant Amplitude Generator. 350KHz-100MHz. **£350.00**

DVM's AND DMM's

Datron.
1051 5 1/2 Digit DMM. AC/DC Volts, Resistance. True RMS. 0.1µV resolution. **£750.00**

Fluke.
8800A 5 1/2 Digit DMM. AC/DC volts, resistance. 1µV resolution. **£450.00**

Hewlett Packard.
34702A & 34740A 4 1/2 digit DMM. AC/DC volts, resistance. **£225.00**
3490A 5 1/2 Digit DMM. AC/DC volts, resistance. 1µV resolution. 30 day warranty. **£375.00**

Phillips.
PM2514 3 1/2 Digit Autoranging DMM. AC/DC volts and current. resistance. **£95.00**
PM2517E 4 Digit Auto ranging DMM. AC/DC volts and current. resistance. **£115.00**
PM2527 4 1/2 Digit DMM. AC/DC volts, current and resistance. 10µV resolution. True RMS. **£400.00**

Solartron.
A243 5 1/2 Digit DMM. AC/DC volts, resistance. 1µV resolution. 30 day warranty. **£375.00**



7055 Microprocessor DMM. Scale length 200,000. AC/DC volts, resistance. 1µV resolution. **£850.00**
7055 plus processor control and RS232 interface. **£1150.00**
7065 Microprocessor DMM. Scale length 1,400,000. AC/DC volts, resistance. **£950.00**
7065 plus processor control and RS232 interface. **£1250.00**

Weston.
4440 3 1/2 Digit DMM. AC/DC volts, DC current, resistance. **£90.00**

FREQUENCY COUNTERS

Advance.
TC15 & P1 Frequency Counter. DC - 500MHz. 9 digits. **£275.00**

Fluke.
1900A-01 Frequency Counter. 5Hz-80MHz. 6 digits. Mains / battery operation. **£195.00**
1925A Frequency Counter. 5Hz-125MHz. 9 digits. EMI proof case. **£375.00**

Phillips.
PM6664 Fully Auto Frequency Counter. 520MHz. 8 digits. **£1250.00**

Racal.
9905 Timber Counter. DC-200MHz. 8 digits. **£1250.00**

MULTIMETERS

Avo.
8MK 5 Multimeter. 20KΩ/voit. Full lead kit. Test Set Number 1. 20KΩ/voit. very robust. **£125.00**

Full lead kit. **£12.50**
S.E.I.
Super 50 Selectest. 20KΩ/voit. **£125.00**

OSCILLOSCOPES

Cossor.
4100 Dual Trace Portable Oscilloscope. DC - 75MHz. Full delayed sweep. 30 day warranty. **£1250.00**

Hewlett Packard.
1707A Dual Trace Portable Oscilloscope. DC - 75MHz. Full delayed sweep. 30 day warranty. **£1250.00**

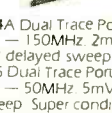


1707B Dual Trace Portable Oscilloscope. DC - 75MHz. 1.5V/div. Full delay and intensified sweep. Trigger hold off. **£1250.00**

Phillips.
PM3212 Dual Trace Portable Oscilloscope. 25MHz. 2mV-10V/div. **£1250.00**

SE Labs.
SM121 6 Channel Monitor. 12" crt. Inter sweep. **£3500.00**

Tektronix.
432 Dual Trace Portable Oscilloscope. DC - 25MHz. 1µ sensitivity. 20ns-5µs. Auto setting margin input. 100-250V. **£550.00**



454A Dual Trace Portable Oscilloscope. DC - 150MHz. 2mV-5V/div. Full delayed sweep. **£1250.00**

455 Dual Trace Portable Oscilloscope. DC - 50MHz. 5mV-5V/div. Full delayed sweep. Super condition. **£950.00**

464 Dual Trace Portable Storage Oscilloscope. DC - 100MHz. 5mV-5V/div. Full delayed sweep. Max writing speed 110 div/µs. **£2250.00**

465 Dual Trace Portable Oscilloscope. DC - 100MHz. 5mV-5V/div. Full delayed sweep. **£1150.00**

466 Dual Trace Portable Storage Oscilloscope. Spec as per 464 but max writing speed 3000div/µs. **£2850.00**

475 Oscilloscope. DC-200MHz. 2mV-5V/div. Delayed sweep. **£1450.00**

485 Oscilloscope. DC - 350MHz. 5mV-5V/div. Delayed sweep. **£2350.00**

521A PAL Vectorscope. Measures Luminance, Amplitude, Chrominance Phase, Chrominance Amplitude, Differential Phase and Gain. New condition. **£2650.00**

T935A Oscilloscope. DC - 35MHz. 2mV-10V/div. Delayed sweep. **£550.00**
7603 Oscilloscope. C/W 2 off 7426 and 7427. DC - 100MHz. **£2250.00**

7613 Storage Oscilloscope. C/W 2 off 7A26 and 7653A. DC - 100MHz. 4 Traces. Delayed sweep. Max writing speed 4.9 cm/div. **£3550.00**

7704A Main Frame. C/W 7A26, 7B80, 7B81. Dual Trace. DC - 200MHz. **£3550.00**



Electronic Test Equipment Company offer SPECIALISED EQUIPMENT ORIGINAL SPECS

..... May 1981 Latest Test Equipment.....

Equipment.
 1995B/4 Battery Dual Trace Portable
 oscilloscope DC — 15MHz. £445.00
 1995B/5 Oscilloscope Main Frame C/W V4 and
 1995B/6 1995B/7 1995B/8 1995B/9
 1995B/10 1995B/11 1995B/12 1995B/13
 1995B/14 1995B/15 1995B/16 1995B/17
 1995B/18 1995B/19 1995B/20 1995B/21
 1995B/22 1995B/23 1995B/24 1995B/25
 1995B/26 1995B/27 1995B/28 1995B/29
 1995B/30 1995B/31 1995B/32 1995B/33
 1995B/34 1995B/35 1995B/36 1995B/37
 1995B/38 1995B/39 1995B/40 1995B/41
 1995B/42 1995B/43 1995B/44 1995B/45
 1995B/46 1995B/47 1995B/48 1995B/49
 1995B/50 1995B/51 1995B/52 1995B/53
 1995B/54 1995B/55 1995B/56 1995B/57
 1995B/58 1995B/59 1995B/60 1995B/61
 1995B/62 1995B/63 1995B/64 1995B/65
 1995B/66 1995B/67 1995B/68 1995B/69
 1995B/70 1995B/71 1995B/72 1995B/73
 1995B/74 1995B/75 1995B/76 1995B/77
 1995B/78 1995B/79 1995B/80 1995B/81
 1995B/82 1995B/83 1995B/84 1995B/85
 1995B/86 1995B/87 1995B/88 1995B/89
 1995B/90 1995B/91 1995B/92 1995B/93
 1995B/94 1995B/95 1995B/96 1995B/97
 1995B/98 1995B/99 1995B/100

Marconi.
 TF144H/4 AM Signal Generator. 10KHz-
 72MHz. 2µV-2V. £750.00
 TF144H/4S AM Signal Generator. 10KHz-
 72MHz. 2µV-2V. £550.00
 TF995B/2 AM/FM
 Signal Generator. 0.2
 to 220MHz. 1µV-
 200mV into 50Ω or
 75Ω. £675.00
 TF995B/5 AM/FM Signal Generator. 200KHz-
 220MHz. 1µV-200mV. Narrow deviation for
 mobiles. £695.00
 TF1370A Wide Range RC Oscillator. 10Hz-
 10MHz. Sine wave, square wave upto 100KHz.
 £275.00
 TF2002B AM/FM Signal Generator. 10KHz-
 88MHz. 0.1µV-1V. 20Hz-20KHz Mod
 frequency. £1200.00
 TF2005R 2 Tone Signal Source. 20Hz-20KHz
 0-111dB in 0.1dB steps. £295.00
 TF2100 AF Oscillator. 20Hz-20KHz. 0.05%
 distortion. £150.00



Philips.
 PM6456 Stereo Generator, Separate L and R
 Signals. Carrier frequency 100MHz ± 1%. RF
 O/P 3mV pk-pk. £250.00
Radiometer.
 SMGIC Stereo Generator. Separate L and R
 Signals. Carrier frequency 100MHz. RF O/P
 10µV-100mV into 75Ω. £375.00
Tektronix.
 2101 Pulse Generator. 2.5Hz-25MHz. + and
 - O/P. £375.00
 TM504 main Frame C/W FG504
 40MHz Function Generator and SC502
 15MHz dual trace oscilloscope. (Other modules
 available). £1125.00
 148 PAL TV Insertion Generator.
 Provides all required signals to test and
 measure on video TX systems. Immaculate
 in as new condition. £2500.00
 1481C PAL Waveform monitor
 in as new condition. £2275.00

Tekonik.
 2003 RF Sweeper System. 1-300MHz. 5 and
 10MHz markers. £950.00
SOUND LEVEL METERS
General Radio.
 1933 Sound Level Meter C/W 1935 Cassette
 Data Recorder. 10-130dB. ABC weighting.
 Octave band filters at 10 centre frequencies
 from 31.5Hz to 16KHz. £750.00
 1981 Sound Level Meter. 70-120dB. Digital
 and analogue reading. Peak hold. A weighting.
 £300.00
 1983 Sound Level Meter. 70-120dB. A
 weighting. £195.00

**TRANSMISSION
 MEASURING EQUIPMENT**
Marconi.
 TF2332 AF Transmission Test Set. 20Hz-20KHz.
 £425.00
Siemens.
 D2040 Selective Level
 Analyser and
 Voltmeter. 10Hz-
 60KHz. —110dB to
 +50dB. 3µV-300V Lin
 and log indication. 5
 digit frequency readout.
 £1200.00
 D2072 + W2072 Level Meter and Oscillator.
 50KHz-100MHz. —110dB-0dB. Receive
 bandwidth 3.1 and 10KHz. £2200.00
 W2006 + D2006 Carrier Level Test Set. 10KHz-
 17MHz. —100 to +10dB. £1650.00
 W2007 + D2007 Carrier Level Test Set.
 6KHz-18.6MHz. —120 to +20dB. £1800.00



Wandel and Golterman.
 PF-1 Digital Error Rate Measuring Set.
 Consisting of PFM-1 Digital Error Rate Meter
 and PFG-1 Pattern Generator. £2490.00
 PSO-5 and PMO-5 Level Measuring Set.
 10KHz-36MHz. —110 to +20dB. C/W AZD-1
 Scale expander. £2050.00
 SPM-6 and PS-6 Level Measuring Set.
 6KHz-18.6MHz. —110dB to +20dB. Mains /
 battery operation. £2150.00
 Andimat [PSM-4 2MHz Automatic PCM
 Testing System] composed of the following:
 PCM-1 PCM Test Set. PDA-64 PCM Signalling
 Analyser. PMD-1 Digital Level and Noise
 Measuring System. PDG-1 Digital Signal
 Generator. PDA-1 PCM Digital Signal
 Analyser. PSM-4 Level Measuring Set. MU-4
 Scanner. RI-1 computer interface. £6500.00

MISCELLANEOUS
Data Laboratories.
 DL905 Transient Recorder with Pre-Trigger
 facility. Ideal for viewing single shot voltage
 transients. £990.00
Dymar.
 1581 RF Power Meter. DC — 500MHz.
 30mW-100W. £350.00
Ferrophaph.
 RTS2 Recorder Test Set. Measures Wow &
 Flutter. Distortion. Gain. £345.00
 RTS2 + ATU2 Recorder Test Set
 C/W Auxiliary Test unit. £650.00
Hewlett Packard.
 335E Programmable Attenuator. 0-12dB. DC
 — 10GHz. 50Ω. £75.00
 432A Power Meter with 478A Thermistor
 Head. 10MHz-10GHz. 100µW-10mW.
 £450.00
 4329A Insulation Resistance Meter. Range
 500KΩ to 2 × 10¹¹ Ω. £500.00
 8745A S Parameter Test Set. Fitted with
 11604A Universal Arms 0.1-2GHz. £2750.00

Marconi.
 TF791D Deviation Meter. 4-1024MHz.
 £195.00
 TF2162 MF Attenuator
 DC — 1MHz. 0-111dB
 Impedance 75Ω. £135.00
 TF2331 AF Distortion Meter
 20Hz-20KHz. 0.1%-100%
 1mV-30V voltage range. £395.00
 TF2337 Automatic Distortion Meter.
 Frequency range 400Hz and 1KHz. 0-30% in 4
 ranges. £245.00
Rohde and Schwarz.
 MSC Stereo Coder. 30Hz-15KHz. £500.00
Radiometer.
 BKF10 Automatic Distortion Analyser. 20Hz-
 20KHz. 0.02%-10%. £1100.00
Rifa.
 EVV-300 Microprocessor Development Kit
 Based on Motorola 6800 TTY interface.
 £235.00

Tektronix.
 TM504 Main Frame C/W SC502 15MHz
 oscilloscope.
 DM502 3 1/2 digit DMM.
 DC503 100MHz counter. £775.00
 TM515 Main Frame C/W FG504. 0.001Hz-
 40MHz Function Generator and 2 off PS503A
 Power Supplies. £1250.00
 TM515 Main Frame C/W SC502. 15MHz
 oscilloscope. FG503 1.1MHz-3MHz Function
 Generator. DM502 3 1/2 digit DMM. DC503
 100MHz counter. £1495.00
Hours of Business: 9 a.m.-5 p.m. Mon-Fri.
Closed lunch 1-2p.m.
ADD 15% VAT TO ALL PRICES
Carriage and Packing charge extra on all
items unless otherwise stated.
WW-200 for further
details

Electronic Brokers is Europe's largest specialst in quality, second user test equipment, computers and associated peripherals. Established 14 years ago, we have pioneered the second user concept in Britain, and many overseas territories.

To support our growth we have a skilled team. This includes trained sales staff, whose role is not only to sell, but provide a helpful information service to our many customers. Backing this team is our own service laboratory where technicians monitor each item of equipment we sell. Our maxim is service, and those who have dealt with us will know that we endeavour to always live up to our reputation.

Wherever your business is — UK, Europe, in fact anywhere in the world, the Electronic Brokers Organisation is just a telephone or telex call away!

Hours of Business: 9 a.m.-5 p.m. Mon-Fri.
 Closed lunch 1-2p.m.
 ADD 15% VAT TO ALL PRICES
 Carriage and Packing charge extra on all
 items unless otherwise stated.



Electronic Brokers Limited
 61/65 Kings Cross Road
 London WC1X 9LN England
 Telephone: 01-278 3461
 Telex: 298694 Elebro G



Electronic Brokers ~ Europe's Premier SUPERLATIVE EQUIPMENT ~ AS

.....**May 1981**.....

Latest Computer Equipment

PDP11 SYSTEMS



DEC
PDP11/34A System complete with 256KB MOS memory DL11W Asynchronous Interface / Line Clock, KY11-LB Programmers Panel, VT100 Terminal, 2 x RL01 5-meg Disk Drives, DZ11A 8-Line multiplexer, FP11A Floating Point, H960 Cabinet. **£17,500.00**

PDP11/34A CPU 256KB MOS, 2 x RL02 Disk Drives plus Controller, H960 Cabinet, Choice of VT100 or LA 120 RSX11M licence. From **£18,500.00**

PDP11/34A System complete with 256KB MOS memory, 2 x RK07 28-meg Disk Drives, TMB11 magnetic tape station, DZ11 16-line multiplexer, Data system cabinet and expander box, LA36 console terminal. **£27,750.00**

PDP11/60 System with 2 RK07 Disk Drives, choice of console. **P.O.A.**

PDP11/03 System (desk-mounted) 20KW MOS, RX11 dual floppy disk drive and control, 3 serial interfaces, LA180 Printer, VT100 Console terminal. **P.O.A.**

PDP11 C.P.U.s

DEC
PDP11/03-SD Processor in 3½" chassis complete with 16KW MOS memory and E1S option. **BRAND NEW — ONLY £1495.00**

PDP11/04 Processor in 10½" chassis complete with 16KW MOS memory and DL11W Interface. **BRAND NEW (can be enhanced to 28KW) £4500.00**

PDP11 MEMORY

DEC
MF11L 8KW core memory c/w 9-slot system unit. **£975.00**

MM11L 8KW core memory. **£795.00**

MM11LP 8KW parity core memory. **£750.00**

MM11DP 16KW core (ex DEC-maintained 11/34 systems). **BARGAIN OFFER — ONLY £395.00**

MM11UP 16KW Parity core memory complete with 9-slot system unit. **£1500.00**

MM11UP 16KW parity core memory (pre-requisite MF11UP). **£1250.00**

MS11JP 16KW MOS memory. **£675.00**

MSV11C 16KW MOS memory (LS11). **£495.00**

MJ11-BE 64KW 11/70 memory. **£4500.00**

MK11-BE 64KW MOS memory for 11/70. **£3950.00**

MS11-MB 256KB ECC MOS memory for 11/44 (NEW). **£3942.00**

DISKS



DEC
RK05J add-on disk drive 2½ meg Exchangeable cartridge type. From **£1850.00**

RK06 Add-on disk drive 14 meg. Free standing. From **£3250.00**

RK07-ED Add-on Disk drive 28 meg. **P.O.A.**

RL01-AK Add-on Disk drive 5 meg. **£1975.00**

RP02 20 meg add-on disk drive. **£1250.00**

RP04 add-on 88 meg disk drive. **£8000.00**

RP06 add-on 176 meg disk drive. **£15,950.00**

RX11-BD Dual floppy disk drive and control. **£1800.00**

Controllers usually available for above drives.

MAGNETIC TAPE

DEC
Available from time to time — TU10, TU45, TE16 TS03 etc.

PDP11 OPTIONS

DEC
AA11D VT01 Controller with 4-slot System Unit. **£125.00**

DD11A 4-slot System Unit. **£125.00**

DD11B 4-slot System Unit. **£150.00**

DD11-DK 9-slot backplane. **£465.00**

DL11 Serial Interface. **£250.00**

DL11WA/B Serial Interface/Line Clock. **£395.00**

DR11C General Purpose Interface. **£250.00**

DRV11B 16-bit Parallel Interface. **£225.00**

DZ11A 8-line E1A MUX. **£1395.00**

FP11A Floating Point. **£1750.00**

KL11 TTY Interface. **£150.00**

KW11L Real Time Clock. **£150.00**

KW11P Programmable Clock. **£345.00**

M105 Device Selector. **£30.00**

M792 ROM Diode Matrix. **£195.00**

M920 Unibus Connector. **£12.00**

M9301-YB Bootstrap. **£325.00**

POWER SUPPLIES

DEC
H720 Power supply for BA11 Expander Box. **BRAND NEW SURPLUS £175.00**

PDP8A C.P.U.

DEC
PDP8A Processors, systems and add-on memory usually available.

PDP8A MEMORY

DEC
MMBAA 8KW Core. **£750.00**

MMBAB 16KW Core. **£995.00**

PDP8E CPU, MEMORY, OPTIONS

DEC
DP8EB Communications Adaptor. **£395.00**

KABE Positive I/O Bus. **£95.00**

KDBE Databreak. **£145.00**

KLBE Asynchronous Interface. **£250.00**

KPBE Power fail/auto restart. **£95.00**

MMBE 4KW Core memory stack. **£350.00**

TABE Dual Cassette Drive and Controller. **£525.00**

VTBE Set graphics Control Modules. **£250.00**

TERMINALS

DEC
LA34 DECwriter IV 30cps desk-top terminal, 132 columns, upper/lower case ASCII. **£495.00**

LA36 DECwriter II Keyboard Printer Terminal. The Terminal that has become an industry standard, with 132 column upper/lower case printing and switch-selectable speeds of 10, 15 & 30cps. Available with either 20mA or RS232 interface. **NOW ONLY £595.00**

VT 52 SPECIAL PURCHASE of this outstanding Video Display Terminal featuring full upper/lower case ASCII character set, 24 x 80 display, auxiliary keypad, direct cursor addressing and tabulation, scroll or hold screen mode with X-off facility, 9 switch-selectable baud rates (75-9600 baud) choice of 20mA or RS232 interface. **BRAND NEW SURPLUS ONLY £450.00**

LS-120 High speed keyboard terminal, 132-column printer with adjustable tractor feed and full upper and lower case ASCII printing (7 x 7 dot matrix), 180 cps print speed and operator-selectable baud rates up to 4800 baud. Integral stand, RS232 interface. **BRAND NEW SURPLUS (limited quantity) ONLY £750.00**

VT100 — Also available from time to time; DEC's latest 132 column display terminal. Please enquire for latest price and delivery. **£750.00**

LA36 DECwriter II Keyboard Printer Terminal. The Terminal that has become an industry standard, with 132 column upper/lower case printing and switch-selectable speeds of 10, 15 & 30cps. Available with either 20mA or RS232 interface. **NOW ONLY £595.00**

VT 52 SPECIAL PURCHASE of this outstanding Video Display Terminal featuring full upper/lower case ASCII character set, 24 x 80 display, auxiliary keypad, direct cursor addressing and tabulation, scroll or hold screen mode with X-off facility, 9 switch-selectable baud rates (75-9600 baud) choice of 20mA or RS232 interface. **BRAND NEW SURPLUS ONLY £450.00**

LS-120 High speed keyboard terminal, 132-column printer with adjustable tractor feed and full upper and lower case ASCII printing (7 x 7 dot matrix), 180 cps print speed and operator-selectable baud rates up to 4800 baud. Integral stand, RS232 interface. **BRAND NEW SURPLUS (limited quantity) ONLY £750.00**

VT100 — Also available from time to time; DEC's latest 132 column display terminal. Please enquire for latest price and delivery. **£750.00**

LA36 DECwriter II Keyboard Printer Terminal. The Terminal that has become an industry standard, with 132 column upper/lower case printing and switch-selectable speeds of 10, 15 & 30cps. Available with either 20mA or RS232 interface. **NOW ONLY £595.00**

VT 52 SPECIAL PURCHASE of this outstanding Video Display Terminal featuring full upper/lower case ASCII character set, 24 x 80 display, auxiliary keypad, direct cursor addressing and tabulation, scroll or hold screen mode with X-off facility, 9 switch-selectable baud rates (75-9600 baud) choice of 20mA or RS232 interface. **BRAND NEW SURPLUS ONLY £450.00**

LS-120 High speed keyboard terminal, 132-column printer with adjustable tractor feed and full upper and lower case ASCII printing (7 x 7 dot matrix), 180 cps print speed and operator-selectable baud rates up to 4800 baud. Integral stand, RS232 interface. **BRAND NEW SURPLUS (limited quantity) ONLY £750.00**

VT100 — Also available from time to time; DEC's latest 132 column display terminal. Please enquire for latest price and delivery. **£750.00**

LA36 DECwriter II Keyboard Printer Terminal. The Terminal that has become an industry standard, with 132 column upper/lower case printing and switch-selectable speeds of 10, 15 & 30cps. Available with either 20mA or RS232 interface. **NOW ONLY £595.00**

VT 52 SPECIAL PURCHASE of this outstanding Video Display Terminal featuring full upper/lower case ASCII character set, 24 x 80 display, auxiliary keypad, direct cursor addressing and tabulation, scroll or hold screen mode with X-off facility, 9 switch-selectable baud rates (75-9600 baud) choice of 20mA or RS232 interface. **BRAND NEW SURPLUS ONLY £450.00**

LS-120 High speed keyboard terminal, 132-column printer with adjustable tractor feed and full upper and lower case ASCII printing (7 x 7 dot matrix), 180 cps print speed and operator-selectable baud rates up to 4800 baud. Integral stand, RS232 interface. **BRAND NEW SURPLUS (limited quantity) ONLY £750.00**

VT100 — Also available from time to time; DEC's latest 132 column display terminal. Please enquire for latest price and delivery. **£750.00**

PRINTERS

Centronics 101.

Heavy Duty Matrix printer v ASCII upper case character cps operation, 132 print pos with adjustable tractor feed. Parallel input. **ONLY £**

GP80 Graphics.

BRAND NEW — LOW COST MATRIX PRINTER IDEAL FOR MICROPROCESSOR USERS AS HOBBYISTS & EDUCATIONALISTS OR AN LOW-BUDGET APPLICAT

★ Full upper/lower case ASCII PLUS GRAPHICS Mode

★ 80-column printing with adjustable tractor feed

★ Standard and double-width characters (12 cpi and 6

★ 30 cps print speed with buffer

★ Standard parallel (Centronics type) interface

★ Optional interfaces avail RS232, IEEE488, Tandy, Apple II

★ **ONLY £**

(Mail order total) **£**

GE Terminus 1200.

RO printer, 80 columns, tractor feed, upper/lower case, ASCII interface. **£**

Hazeltine.

Thermal printer, 80 columns, 30 cps silent RO with parallel TI

Tally 1602.

Matrix printer, parallel input, upper/lower case, tractor feed, a

Teletype.

ASR 33 input/output terminal incorporating paper tape punch reader, 64 ASCII upper case character set, 110 baud operation parity keyboard choice of RS232 or 20mA interface. **£**

NOW ONLY £

Texas.

745 Portable Data Terminal including keyboard, printer, integral acoustic coupler and carrying case. Total weight c

13 lbs

Options.

ICL-type keyboard

8th level marking

Remote reader control

Reader step

Auto reader

Pedestal.

Low Cost Printer Offer.

Teletype 33 printer mechanism including case but no keyboard electronics, 64 upper case A

10 cps, pinfeed platen, ideal electronic hobbyist **ONLY £**

Termiprinter 7075.

Impact printer, upper/lower case, pin feed, RS232 **£**

Texas.

733 ASR terminal utilising high performance twin cassette drive, fast time-saving transmission and off-line storage.

★ Silent operation

★ Switch-selectable transmission speeds 10, 15, & 30 cps

★ Full tape editing capability

★ High-speed duplication and rewind

★ Standard RS232 interface

745 LIGHTWEIGHT (13lbs) terminal with integral acoustic coupler, 10/30 cps, carrying case

£

£

£

£

£

£

£

£

£

£

£

£

£

£

£

£

£

£

£



Electronic Brokers

er Used Computer Company offer USED COMPUTER NEW CONDITION

May 1981 Latest Computer Equipment

UPER TAPE PUNCHES

Hazeltine.
35/20 paper tape punch. Solenoid-actuated unit capable of punching 5 to 8 channel tapes at speeds up to 35 cps. Pulse amplitude 27 VDC. Compact table-top unit. **£95.00**



Facit 4070.
The top quality punch that has become an industry standard. Asynchronous 75cps operation. Adjustable for punching 5, 6, 7 or 8 level tape. Self-contained desk-top unit incorporating supply and take-up spools, chad box, and TTL-compatible control logic. **£650.00**

KEYBOARDS



George Risk.
New ASCII Keyboards
New Low Prices

NEW
KB771 Superb 71-station ASCII keyboard incorporating separate numeric/Cursor control pad and installed in custom-built steel enclosure with textured blue enamel finish. Ideal for the VDU builder. Case dimensions: 17 1/4" x 7 1/2" x 3 3/8". Total weight 4kg. PRICE **£85.00**
Mail Order Total **£103.50**

- 3756 56-station ASCII keyboard mounted on P.C.B. **£39.50**
Mail Order Total **£47.15**
 - 3756MF as above, fitted with metal mounting frame for extra rigidity. **£45.00**
Mail Order Total **£53.48**
 - 3710 10-key numeric pad, supplied with connecting cable. **£8.00**
Mail Order Total **£9.78**
 - 3721 Plastic enclosure for KB756 or KB756MF. **£12.50**
Mail Order Total **£15.24**
 - 3702 Steel enclosure for KB756 or KB756MF. **£18.00**
Mail Order Total **£23.00**
 - 32376 Spare ROM encoder. **£12.50**
Mail Order Total **£15.24**
 - 315P Edge connector for KB756 or KB756MF. **£3.25**
Mail Order Total **£4.31**
 - C-512 DC converter to allow operation at 5V only (plugs in to C.B.). **£7.50**
Mail Order Total **£9.20**
 - B255 Mating connector for KB771. **£4.25**
Mail Order Total **£5.46**
 - 3756 56-station ASCII keyboard for PET complete with PET interface, built-in power supply and steel enclosure. **£95.00**
Mail Order Total **£115.00**
- Discounts available for quantities.

PROGRAMMABLE CALCULATORS

Hewlett Packard.
330A with 8K Memory, Extended I/O ROM, String Variables ROM, Serial and 3 parallel interfaces. **£1695.00**

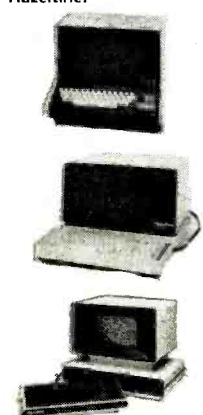
MODEMS

Cal Milgo.
Modem 26 lsi 1200/2400 baud, 2 or 4 wire, full/half duplex. P.O.A.

GENERATORS

awdsley.
10KVA Generator system comprising AC Induction Motor, AC generator, AC Exciter and Emreg Regulator.
The alternator comprises of a screen-protected rotating field, complete with built-in over-hung exciter of the brushless pattern. It is wound for 415V, 3 phase, 50Hz, 4 wire and developing 45KVA at 0.8 P.F. when running at a speed of 1500 rpm.
The alternator and exciter are used in conjunction with the automatic transistorised voltage regulator, incorporating 3-phase winding. The regulator is so designed that when the alternator is on a balanced 3-phase load and with one phase switched off or disconnected, the phase voltage will not vary more than ± 6% under any conditions. **£1250.00**

VDUs



H1000 The low, low priced teletypewriter-compatible video display terminal, offering you choice of transmission speeds up to 9600 baud as well as parity generation and checking, 12 x 80 display upper case ASCII, RS232 interface, choice of baud rates. **SUPER VALUE £199.00**

Standard baud rates either (a) 110/300 or (b) 300/1200. (£25 surcharge for other combinations up to 9600 baud).

H2000 Superb spec. including full XY cursor addressing and edit facility, 27 x 74 display, upper case ASCII, RS232 interface, switch-selectable baud rates. **£299.00**

H2000C NOW ALSO AVAILABLE with 25 x 80 line format and C-MOS logic. **£375.00**

Modular One. Now with upper/lower case, XY cursor addressing, 24 x 80 line display, dual intensity detachable keyboard, choice of 8 transmission rates up to 9600 baud. **£399.00**

MONITORS

Baird Miratel TTL15.
15in. diagonal green phosphor tube, integral power supply. Requires separate horizontal and vertical video input. **BRAND NEW SURPLUS £75.00**

FLOPPY DISK DRIVES

Shugart SA400.
5 1/4" MINI-FLOPPY (NEW)
★ Capacity (unformatted): 110Kb (single density) 220Kb (double density)
★ Transfer rate: 125/250 kilobits/sec.
★ Average access time: 463ms.
★ Read/Write and Write Protect electronics
★ Power requirements +5VDC + 12VDC Dimensions 5 3/4" x 3 1/4" x 8", weight 3lbs
Supplied complete with technical manual.
Application notes are available on interfacing the SA400 to Intel 8080A, Motorola etc. **£195.00**

NEW



Shugart SA450.
Double-sided, double density minifloppy providing 440KB unformatted storage capacity, yet the same compact size and weight as the SA400. **£299.00**



Shugart SA801.
8" FLOPPY (NEW)
★ Capacity (unformatted): 400Kb (single density) 800Kb (double density)
★ Transfer rate: 250/500 kilobits/sec.
★ Average access time: 211ms.
★ Read/Write and Write Protect electronics
★ Power requirements +24VDC +5VDC -5VDC Dimensions 4 3/4" x 9 1/2" x 14 1/4"
Supplied complete with technical manual. **£395.00**

Hours of Business: 9 a.m. - 5 p.m. Mon-Fri. Closed lunch 1-2p.m.
ADD 15% VAT TO ALL PRICES
Carriage and Packing charge extra on all items unless otherwise stated.

WW-201 for further details

Electronic Brokers is the largest specialist buyer and seller of used computers in Europe

Our specialists deal daily in DEC, Data General and many of the numerous and well-known manufacturers of related systems and peripherals such as Teletype, Hazeltine, Texas, Hewlett Packard, Textrol etc. All computer equipment offered by Electronic Brokers is maintenance eligible by the original manufacturer

Our customers come from the fields of industry, education, research government and general commerce. We have met their needs time and time again

Whether your requirements are quick replacement, low cost development systems, additional capacity for existing equipment, or a cost-effective used configuration — we are only a phone call or telex away

Call us on 01-278 3461 and speak to one of our skilled sales specialists familiar with your equipment needs



Electronic Brokers Limited
61/65 Kings Cross Road
London WC1X 9LN England
Telephone: 01-278 3461
Telex: 298694 Elebro G



New! Sinclair ZX81 Personal Computer.

Kit: £49.⁹⁵ complete

Reach advanced computer comprehension in a few absorbing hours

Built: £69.⁹⁵ complete

1980 saw a genuine breakthrough – the Sinclair ZX80, world's first complete personal computer for under £100. At £99.95, the ZX80 offered a specification unchallenged at the price.

Over 50,000 were sold, and the ZX80 won virtually universal praise from computer professionals.

Now the Sinclair lead is increased: for just £69.95, the new Sinclair ZX81 offers even more advanced computer facilities at an even lower price. And the ZX81 kit means an even bigger saving. At £49.95 it costs almost 40% less than the ZX80 kit!

Lower price: higher capability

With the ZX81, it's just as simple to teach yourself computing, but the ZX81 packs even greater working capability than the ZX80.

It uses the same micro-processor, but incorporates a new, more powerful 8KB BASICROM – the 'trained intelligence' of the computer. This chip works in decimals, handles logs and trig, allows you to plot graphs, and builds up animated displays.

And the ZX81 incorporates other operation refinements – the facility to load and save named programs on cassette, for example, or to select a program off a cassette through the keyboard.

Higher specification, lower price – how's it done?

Quite simply, by design. The ZX80 reduced the chips in a working computer from 40 or so, to 21. The ZX81 reduces the 21 to 4!

The secret lies in a totally new master chip. Designed by Sinclair and custom-built in Britain, this unique chip replaces 18 chips from the ZX80!

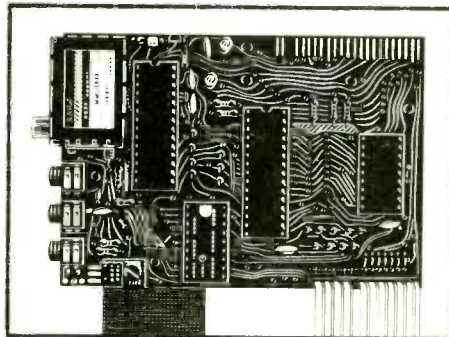
Proven micro-processor, new 8KB BASIC ROM, RAM – and unique new master chip.



Kit or built – it's up to you!

The picture shows dramatically how easy the ZX81 kit is to build: just four chips to assemble (plus, of course the other discrete components) – a few hours' work with a fine-tipped soldering iron. And you may already have a suitable mains adaptor – 600 mA at 9 V DC nominal unregulated (supplied with built version).

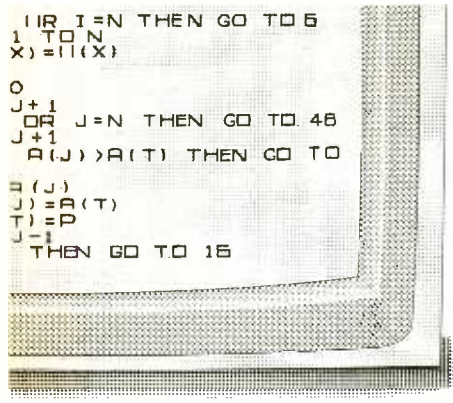
Kit and built versions come complete with all leads to connect to your TV (colour or black and white) and cassette recorder.



New Sinclair teach-yourself BASIC manual

Every ZX81 comes with a comprehensive, specially-written manual – a complete course in BASIC programming, from first principles to complex programs. You need no prior knowledge – children from 12 upwards soon become familiar with computer operation.





If you own a Sinclair ZX80...

The new 8K BASIC ROM used in the Sinclair ZX81 is available to ZX80 owners as a drop-in replacement chip. (Complete with new keyboard template and operating manual.)

With the exception of animated graphics, all the advanced features of the ZX81 are now available on your ZX80 - including the ability to drive the Sinclair ZX Printer.

Coming soon - the ZX Printer.

Designed exclusively for use with the ZX81 (and ZX80 with 8K BASIC ROM), the printer offers full alphanumerics across 32 columns, and highly sophisticated graphics. Special features include COPY, which prints out exactly what is on the whole TV screen without the need for further instructions. The ZX Printer will be available in Summer 1981, at around £50 - watch this space!



new, improved specification
Z80A micro-processor - new faster version of the famous Z80 chip, widely recognised as the best ever made.

- Unique 'one-touch' key word entry: the ZX81 eliminates a great deal of tiresome typing. Key words (RUN, LIST, PRINT, etc.) have their own single-key entry.
- Unique syntax-check and report codes identify programming errors immediately.
- Full range of mathematical and scientific functions accurate to eight decimal places.
- Graph-drawing and animated-display facilities.
- Multi-dimensional string and numerical arrays.

Up to 26 FOR/NEXT loops.
Randomise function - useful for games as well as serious applications.

Cassette LOAD and SAVE with named programs.

16K-byte RAM expandable to 16K bytes with Sinclair RAM pack.

Able to drive the new Sinclair printer (not available yet - but coming soon!)

Advanced 4-chip design: micro-processor, ROM, RAM, plus master chip unique, custom-built chip replacing 3 ZX80 chips.

sinclair ZX81

Sinclair Research Ltd,
1 Kings Parade, Cambridge, Cambs.,
CB2 1SN. Tel: 0276 66104.
Reg. no: 214 4630 00

16K-BYTE RAM pack for massive add-on memory.

Designed as a complete module to fit your Sinclair ZX80 or ZX81, the RAM pack simply plugs into the existing expansion port at the rear of the computer to multiply your data/program storage by 16!

Use it for long and complex programs or as a personal database. Yet it costs as little as half the price of competitive additional memory.



How to order your ZX81

BY PHONE - Access or Barclaycard holders can call 01-200 0200 for personal attention 24 hours a day, every day.
BY FREEPOST - use the no-stamp-needed coupon below. You can pay by cheque, postal order, Access or Barclaycard.

EITHER WAY - please allow up to 28 days for delivery. And there's a 14-day money-back option, of course. We want you to be satisfied beyond doubt - and we have no doubt that you will be.

To: Sinclair Research Ltd, FREEPOST 7, Cambridge, CB2 1YY.				Order	
Qty	Item	Code	Item price £	Total £	
	Sinclair ZX81 Personal Computer kit(s). Price includes ZX81 BASIC manual, excludes mains adaptor.	12	49.95		
1	Ready-assembled Sinclair ZX81 Personal Computer(s). Price includes ZX81 BASIC manual and mains adaptor.	11	69.95	69.95	
	Mains Adaptor(s) (600 mA at 9 V DC nominal unregulated).	10	8.95		
	16K-BYTE RAM pack(s).	18	49.95		
	8K BASIC ROM to fit ZX80.	17	19.95		
	Post and Packing.			2.95	
				TOTAL £ 72.40	

Please tick if you require a VAT receipt

*I enclose a cheque/postal order payable to Sinclair Research Ltd, for £ 72.40

*Please charge to my Access/Barclaycard account no. _____

*Please delete/complete as applicable. Please print.

Name: Mr/Ms/Miss A. HILEY

Address SOUTHFIELD HSE, PREY HEATH CL. MAYFORD WOKING

SURREY

FREEPOST - no stamp needed. WRW05

WW - 013 FOR FURTHER DETAILS

IMMEDIATE DELIVERY ON ALL THESE INSTRUMENTS

PM5519 - THE BEST PATTERN GENERATOR IN THE WORLD

PM 5519I CTV pattern generator

- * Over 20 colour and b/w test patterns carefully selected for maximum versatility
- * RF signals available in bands I, III, IV and V
- * Variable video output (with 1 volt fixed position)
- * External video and sound modulation facility
- * Composite sync output for triggering - includes the line frame and blanking pulses to the local TV standard

- * Versions available for non-British TV systems

Reader inquiry number 220

PHILIPS CHOICE FOR SERVICE

A selection from the range of Philips instruments with wide service applications.

PM 5326 RF signal generator

- * 100 kHz - 125 MHz in nine overlapping ranges
- * Built-in 5 digit counter
- * 50 mV RF output at 75Ω can be attenuated to over 100 dB
- * Electronically stabilized output level
- * Wobbulator facility

Reader inquiry number 221

PM 2517 digital multimeter

- * Full four digits
- * Choice of LED or LCD display
- * True RMS AC readings



- * Autoranging with manual override
- * Current up to 10 A
- * Options include temperature and data hold probes

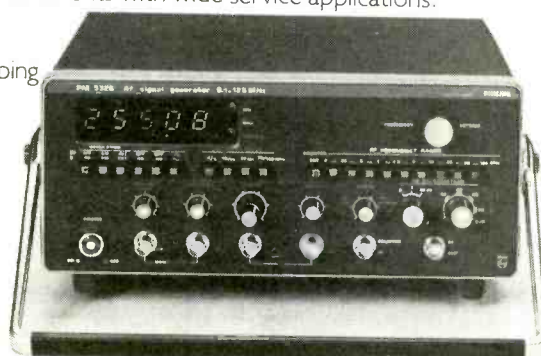
Reader inquiry number 222

PM 3207 dual trace oscilloscope

- * Ideal for service and general purpose applications
- * 15 MHz/5mV



Test & Measuring Instruments



- * Triggering from either channel or external input
- * Auto TV triggering
- * Same sensitivity on X and Y channels
- * B-invert facility
- * Full 8 x 10 cm screen

Reader inquiry number 223

PM 6667 and 6668 high resolution counters

- * 1 GHz (PM 6668) or 120 MHz (PM 6667)
- * Microprocessor control with built-in intelligence
- * Auto triggering on all waveforms and duty cycles
- * 15 mV RMS sensitivity
- * High stability X-tal oscillators: 10⁻⁷/month
- * Self-diagnosis routine
- * Battery option

Readers inquiry number 224



Test & Measuring Instruments



NEW PHILIPS CATALOGUE

The 300-page 1981 Philips Test and Measuring Instruments catalogue contains details of the company's full audio and video service equipment capability, as well as of its entire test and measuring range.

Send for your free copy by circling reader inquiry number 225.

WHERE TO BUY YOUR PHILIPS AUDIO AND VIDEO SERVICE EQUIPMENT

The entire range is available from the Philips Electronic Instruments Department (see address below) or from Philips Service Centres (phone 01-686 0505 for the address of your nearest branch). In addition, the PM 2517 and PM 3207 are available from Wessex Electronics Ltd, 114-116 North Street, Downend, Bristol BS16 5SE. Tel (0272) 571404.

INPUT

FROM PHILIPS TEST & MEASURING INSTRUMENTS

Use the inquiry service to obtain information about the products which interest you. Alternatively, phone Cambridge (0223) 358866 and speak to our Commercial Office on extension 145 or 148.

	Inquiry No
PM 5519 CTV pattern generator	220
PM 5326 RF signal generator	221
PM 2517 digital multimeter	222
PM 3207 15 MHz oscilloscope	223
PM 6667/6668 frequency counters	224
1981 Test & Measuring catalogue	225

Pye Unicam Ltd

Philips Electronic Instruments Dept
York Street, Cambridge, CB1 2PX, England
Tel: Cambridge (0223) 358866 Telex: 817331

PHILIPS



We use advanced winding technology to make our toroidal transformers. They have only half the weight and height of their laminated equivalents and are appreciably more efficient. Our toroidals cost virtually the same as the older types which they are rapidly replacing. Induced hum is reduced by a factor of ten. Supplied with rigid mounting kit with centre bolt, steel and neoprene washers.

30VA 70mm dia. x 30mm Weight 0.45 Kg **£4.71**
(+£1.20 p.p. + 0.89 VAT)

TYPE	SECONDARY RMS VOLTS	SECONDARY RMS CURRENT
1X010	6+6	2.50
1X011	9+9	1.66
1X012	12+12	1.25
1X013	15+15	1.00
1X014	18+18	0.83
1X015	22+22	0.68
1X016	25+25	0.60
1X017	30+30	0.50

50VA 80mm dia. x 35mm Weight 0.9 Kg **£5.19**
(+£1.30 p.p. + 0.97 VAT)

2X010	6+6	4.16
2X011	9+9	2.77
2X012	12+12	2.08
2X013	15+15	1.66
2X014	18+18	1.38
2X015	22+22	1.13
2X016	25+25	1.00
2X017	30+30	0.83
2X028	110	0.45
2X029	220	0.22
2X030	240	0.20

80VA 90mm dia. x 30mm Weight 1 Kg **£5.76**
(+£1.50 p.p. + £1.09 VAT)

3X010	6+6	6.64
3X011	9+9	4.44
3X012	12+12	3.33
3X013	15+15	2.66
3X014	18+18	2.22
3X015	22+22	1.81
3X016	25+25	1.60
3X017	30+30	1.33
3X028	110	0.72
3X029	220	0.36
3X030	240	0.33

120VA 90mm dia. x 40mm Weight 1.2 Kg **£6.72**
(+£1.60 p.p. + £1.25 VAT)

4X010	6+6	10.00
4X011	9+9	6.66
4X012	12+12	5.00
4X013	15+15	4.00
4X014	18+18	3.33
4X015	22+22	2.72
4X016	25+25	2.40
4X017	30+30	2.00
4X028	110	1.09
4X029	220	0.54
4X030	240	0.50

160VA 110mm dia. x 40mm Weight 1.8 Kg **£8.88**
(+£1.80 p.p. + £1.60 VAT)

TYPE	SECONDARY RMS VOLTS	SECONDARY RMS CURRENT
5X012	12+12	6.66
5X013	15+15	5.33
5X014	18+18	4.44
5X015	22+22	3.63
5X016	25+25	3.20
5X017	30+30	2.66
5X018	35+35	2.28
5X028	110	1.45
5X029	220	0.72
5X030	240	0.66

225VA 110mm dia. x 45mm Weight 2.2 Kg **£10.59**
(+£1.90 p.p. + £1.87 VAT)

6X014	18+18	6.25
6X015	22+22	5.11
6X016	25+25	4.50
6X017	30+30	3.75
6X018	35+35	3.21
6X026	40+40	2.81
6X028	110	2.04
6X029	220	1.02
6X030	240	0.93

300VA 110mm dia. x 50mm Weight 2.6 Kg **£12.27**
(+£2.00 p.p. + £2.14 VAT)

7X016	25+25	6.00
7X017	30+30	5.00
7X018	35+35	4.28
7X026	40+40	3.75
7X025	45+45	3.33
7X028	110	2.72
7X029	220	1.36
7X030	240	1.25

500VA 140mm dia. x 60mm Weight 4 Kg **£16.35**
(£2.10 p.p. + £2.77 VAT)

8X017	30+30	8.33
8X018	35+35	7.14
8X026	40+40	6.25
8X025	45+45	5.55
8X033	50+50	5.00
8X028	110	4.54
8X029	220	2.27
8X030	240	2.08

• I.L.P. TOROIDAL TRANSFORMERS ARE GUARANTEED FOR 5 YEARS

CHOICE OF 3 PRIMARY INPUTS

I.L.P. Toroidal Transformers are available in choice of 110V, 220V, 240V, coded as follows (Secondaries can be connected in series or parallel)

For 110V Primary insert 0 in place of 'X' in type number
For 220V Primary (Europe) insert 1 in place of 'X' in type number
For 240V Primary (U.K.) insert 2 in place of 'X' in type number

Example - 120VA 240V 15+15V 4A = 42013.

* CUSTOMER DESIGN ENQUIRIES INVITED. QUANTITY PRICE LIST AVAILABLE.

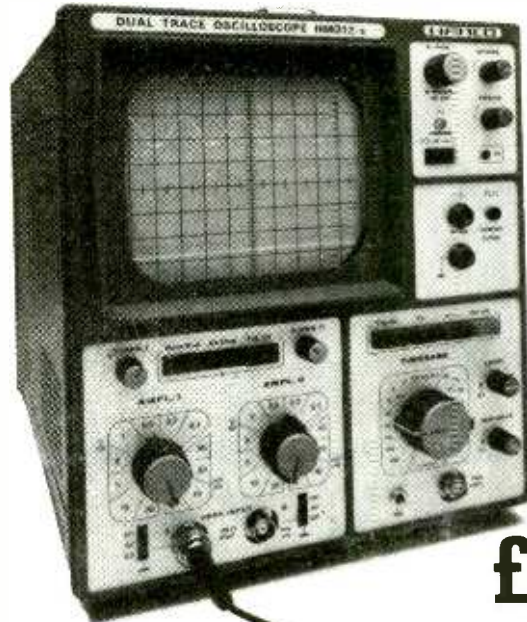
FREEPOST facility.(U.K. only).

Simply address envelope to **FREEPOST** to address below NO STAMP REQUIRED

TO ORDER Enclose cheque/Postal Order/Money Order payable to I.L.P. Electronics Ltd or quote your ACCESS or BARCLAYCARD account No. To pay C.O.D. add £1 extra to TOTAL value of order. Also available from ELECTROVALUE and MARSHALLS.

I.L.P. TRANSFORMERS
A division of I.L.P. ELECTRONICS LTD
FREEPOST T5, GRAHAM BELL HOUSE, ROPER CLOSE
CANTERBURY CT2 7EP
Phone (0227) 54778 Technical (0227) 64723 Telex 965 780

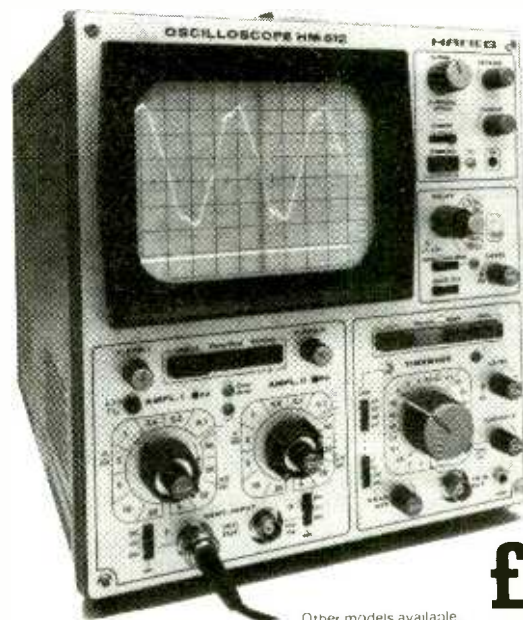
**Incredible Quality
Incredible Performance
Incredible Price!!!**



HM312 Dual Trace Oscilloscope.
DC-20MHz. Sensitivity 5mV/20V/cm. Time base range 0.5uS-0.2S/cm with x5 horiz mag to 100nS/cm, with variable control uncalibrated to 40nS/cm. CRT screen 8 x 10cm. Full XY using ch1 as X input. Bandwidth 2.3MHz. TV trigger.

NOW BETTER VALUE THAN EVER AT

£220



HM512 Dual Trace Oscilloscope with delayed sweep.
DC-50MHz. Sensitivity 5mV/20V/cm Time base range 0.1uS 2.0S cm with x5 horiz mag to 20nS cm. Delay ranges 7 decade steps 100ns 1S with fine control CRT screen 8 x 10cm. Full XY using ch 1 as x input, bandwidth 4 MHz Z input. Delay line allows viewing of leading edge. Vertical overscan indicated by 2 LED's

£580

Other models available
HM307 10MHz plus component tester £138.00
HM412 20 MHz with sweep delay £350.00
HM812 50 MHz storage £1458.00
All scopes can be fitted with a long persistence CRT at extra cost

World-beating Oscilloscope Offers

FROM

Electronic Brokers



61/65 Kings Cross Road,
London WC1X 9LN.
Tel:01-278 3461. Telex 298694

Prices do not include carriage or VAT

WW - 036 FOR FURTHER DETAILS

40 years



DANAVOX (GT. BRITAIN) LTD.
1 CHEYNE WALK,
NORTHAMPTON NN15PT
TEL. NORTHAMPTON (0604) 36351

of research... "on components and accessories for dictating machines, tele-communications, hearing aids and electroacoustic equipment etc."



STETOCLIP JUNIOR 60 HEADSET



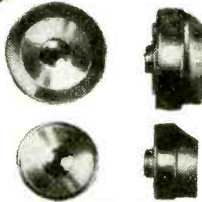
STETOCLIP LIGHTWEIGHT HEADSET



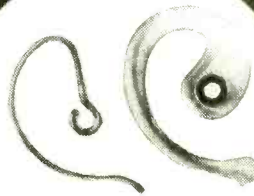
SENIOR STETOCLIP HEADSET



STETOMIKE BOOM MICROPHONE HEADSET



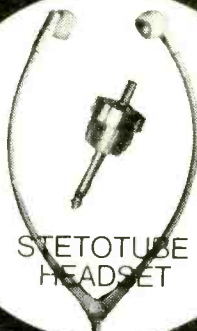
STANDARD & SUB-MINOR EARPHONES



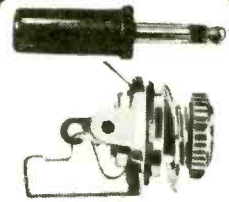
PLASTIC EARHANGERS



DANAMIC FIDELITY EARSET



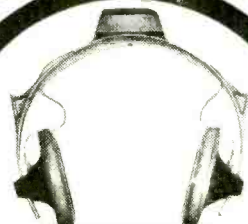
STETOTUBE HEADSET



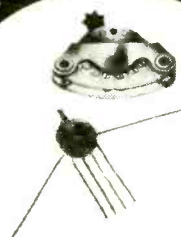
2,5 mm and 3,5 mm JACK PLUGS & SOCKETS



DANASOUND HEADSET



DANASONIC INDUCTION AUDIO LOOP RECEIVER




SUBMINIATURE SWITCHES

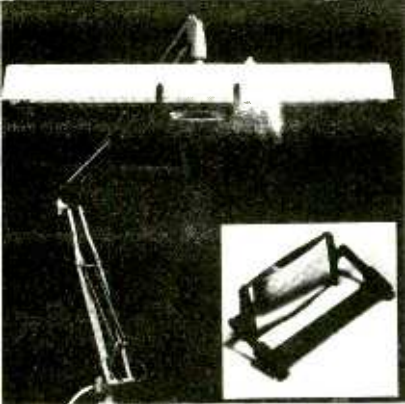
WW - 032 FOR FURTHER DETAILS

Specification:
 220/240 volt 0.4A 22 watt
 Type Femo 65FJ
 Reach 38 inches (97cm)
 Magnification 1.75
 Lens dia 4 1/2in (113mm)
 Colour Grey

Add Magnifying Lens
 Lens dia 2 1/2in (64mm)
 Used with 6FJ Lamp
 Total Magnification ca x 3.5



Femo Incline
 Fluorescent Illuminated Magnifying Lamp



Femo 77J
 Bench or Desk Lamp with optional magnifier attachment

Specification:
 220/240 volt AC 20 watt
 standard fluorescent tube
 (Tube separate)

Detachable magnifier R42
 Magnification ca + 2
 Colour Light Grey

Made in Sweden

Distributed by:
 Special Products Distributors Ltd.,
 81, Piccadilly, London W1V 0HL.
 Tel: 01-629 9556 Cables: Specipro London W1

WW-009 FOR FURTHER DETAILS

Quartz Oscillators



DIL compatible configurations
 CMOS and TTL outputs
 Wide temperature ranges
 Frequencies one pulse per day to 60 MHz
 Many standard frequencies from stock

**Interface
 Quartz
 Devices
 Limited**

29 Market Street
 Crewkerne
 Somerset TA18 7JU

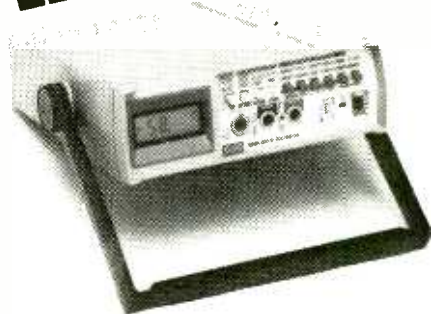
Crewkerne (0469) 71433
 Telex 46283 inface g



WW-010 FOR FURTHER DETAILS

EXTENSIVE RANGE OF NEW FLUKE DMM'S FROM ELECTRONIC BROKERS

IMMEDIATE
 DELIVERY



8050A 4 1/2 Digit LCD DMM with true RMS on AC volts and current DC volts 200mV-1KV, 10µV resolution AC volts. 200mV-750V, 10µV resolution. DC/AC current 200µA-2A, 0.01µA resolution resistance 200Ω-20MΩ, 0.01Ω resolution. Also reads dB direct referenced to 16 stored impedances. Conductance ranges 2mS and 200nS.
£245 mains model
£285 mains battery

8012A 3 1/2 Digit LCD DMM with true RMS on AC volts and current. DC volts 200mV-1KV, 100µV resolution. AC volts 200 mV-750V, 100µV resolution. DC/AC current 200µA-2A, 0.1µA resolution. Resistance 200Ω-20MΩ, 0.1Ω resolution Low resistance 2Ω and 20Ω, 1mΩ resolution Conductance ranges 2mS-20µS-200nS

£218.00 mains model
£244.00 mains battery.



8010A 3 1/2 Digit LCD DMM Same spec as 8012A plus a 10Amp AC/DC current range, but no low resistance range.
£167.00 mains model
£193.00 mains battery.

8024A 3 1/2 Digit hand held LCD DMM with peak hold Level Detector and continuity tester. DC volts 200mV-1KV, 100µV resolution. AC volts 200mV-750V, 100µV resolution. DC/AC current 2mA-2A, 1µA resolution. Resistance 200Ω-20MΩ, 0.1Ω resolution. Conductance 200nS. Peakhold of AC or DC volts and current. Level detector operates around +0.8V reference. Audio tone on level and continuity, **£155.00**, carrying case £8.00 extra.

8020A 3 1/2 Digit hand held LCD DMM. spec as per 8024A with extra conductance range of 2mS but no peak hold, level or continuity ranges. Complete with carrying case. **£125.00**.



8022A 3 1/2 Digit hand held LCD DMM. Spec as per 8020A but no conductance ranges and slight reduction in accuracy, **£89.00** carrying case £8.00 extra.

Also available a range of accessories including current shunts, EHT probe, rf probe, Temperature probe and touch and hold probe. Full details on request. The warranty period on all items shown is 1 year other than the 8020A which is 2 years.

Electronic Brokers

**61-65 King's Cross Road
 London, WC1X 9LN
 Tel: 01-278 3461 - Telex 298694**

WW-048 FOR FURTHER DETAILS

SME

MODEL 3012-R

Manufacture of the Model 3012 Series II 12" precision pick-up arm ended in 1972. In response to many requests to re-introduce it for professional and hi-fi applications we have produced the Model 3012-R. It is basically similar to its classic predecessor but with important refinements including:

- Thin walled stainless steel tone-arm.
- New design lateral balance system.
- Extra rigid low mass shell with double draw-in pins.
- Main weight system with fine adjustment providing a wide range of balance.
- Geometry optimised for 12" records.

Distortion caused by lateral tracking error is at least 25% less than is possible with a 9" arm and its effective mass of 14 grams makes it particularly suitable for the many medium and low compliance cartridges now on the market.

Full details will be sent on request.



The S2-R shell supplied with it is another SME 'first' in heavy gauge aluminium with pin-up and pin-down bayonet for positive locking. The sockets of all SME arms employing detachable shells are double slotted and therefore compatible with this design.

Write to Dept O663

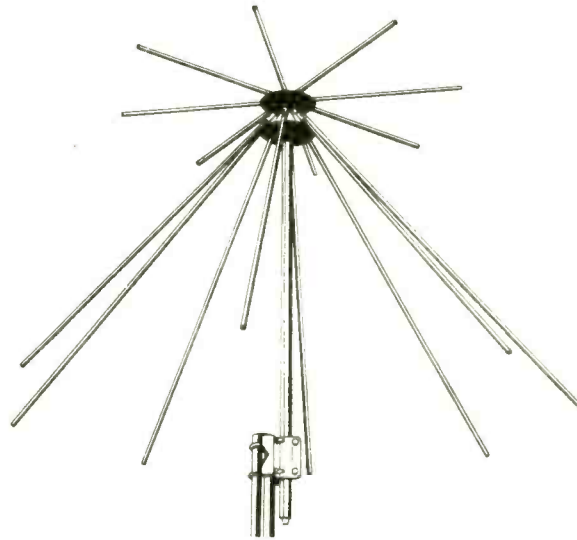
SME Limited, Steyning, Sussex, BN4 3GY, England

☎ Steyning (0903) 814321. Telex 877808 SME G

WW-057 FOR FURTHER DETAILS

BB for CB

- ★ R.F. TRANSISTORS
- ★ INTEGRATED CIRCUITS
- ★ POWER UNITS
- ★ MULTI METERS
- ★ TVI FILTERS
- ★ ANTENNA ROTORS
- ★ BOOKS



- ★ CONNECTORS
- ★ MOBILE ANTENNAS
- ★ BASE ANTENNAS
- ★ SWR METERS
- ★ MATCHERS
- ★ LINEAR AMPS
- ★ POWER MIKES

SEND FOR OUR CB ACCESSORIES CATALOGUE, PRICE 50p



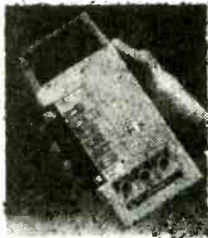
B. BAMBER ELECTRONICS

COMMUNICATIONS HOUSE
5 STATION ROAD, LITTLEPORT, CAMBS. CB6 1QE
PHONE: ELY (0353) 860185 (TUESDAY TO SATURDAY)

WW - 063 FOR FURTHER DETAILS

HERE IT IS! THE BRAND NEW 8022A HAND-HELD DMM

Consider the following features:
6 resistance ranges from 200 ohm-20 ohms
8 current ranges from 2mA-2A AC/DC
10 voltage ranges from 200mv-1000v DC-200mc-750V AC
Pocket size — weighing only 370 gms
Full overload protection — will withstand 6kv spikes
Rugged construction — virtually indestructible
Meets tough military specs — drop proof
In line pushbutton operation for single-handed useage
Incorporates low power CMOS chip for low power consumption
All this plus a 2-year full guarantee



For only **£89 + VAT** **SOFT CARRYING CASE £7 extra**
Carriage and insurance £3

Even more sophisticated the Fluke 8020A
Identical in most respects to the 8022A but in addition incorporates a conductance range from 2mS-200nS.

Price £125

Carriage and insurance £3.00

A handsome soft carrying case is included (this model only)

OFF THE SHELF DELIVERY ON THESE

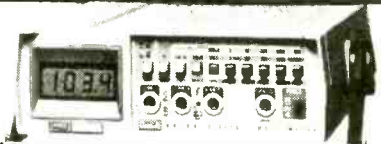


DIGITAL MULTIMETERS BRAND NEW FROM FLUKE!!! NOW AVAILABLE THE 8024A HAND HELD DMM

This model incorporates all the features of the 8020A but in addition has
A peak hold switch which can be used in AC or DC for volts and current functions.
Audible continuity testing and level detection for sensing logic levels
A temperature (°C) range for use with a thermocouple
£155
Carriage and insurance £3

The following accessories are in stock now

Y8008 Touch and Hold Probe	£29
80K-40 High Voltage Probe	£51
81RF RF Probe to 100 MHz	£35
80T-150C Temperature Probe (C)	£66
801-600 Clamp-on AC Current Probe	£61



8010A AND 8012A BENCH MODEL D.M.M.s

The 8010A is a general purpose bench/portable digital multimeter with more functions and features than ever offered for such a low price. Its companion the 8012A, has identical characteristics except that it has two additional low resistance ranges, 2Ω and 20Ω to replace the 8010A's 10 ampere current range.
The 8010A and 8012A feature:
10 voltage ranges from 200mv - 1000v dc - 200mv - 75v ac
3 conductance ranges from 2mS - 200nS
6 resistance ranges from 200Ω - 20MΩ - the 8012A has two additional resistance ranges 2Ω and 20Ω
10 current ranges from 200µA - 2A AC/DC - the 8010A has two additional current ranges 10A AC and 10A DC

8010A £167 **8012A £218**

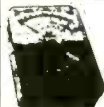
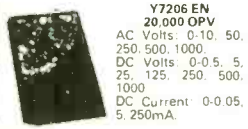
Carriage and insurance £3

The 8010A is also available with two rechargeable Nicad size C batteries installed in option 8010 at £193.00.

LOW COST, AUTORANGING MULTI-FUNCTION COUNTER MODEL 1900A

- Autoranging in both frequency and period measurement modes
- Wide Frequency range — 5 Hz to 80 MHz
- High sensitivity — 25 mV, typically 15 mV
- Six digit LED display with leading zero suppression, automatic annunciation and overflow
- Optional internal battery pack providing 4 hours continuous operation
- Autoreset on all gate times, all function switches
- Four manually selected gate times providing resolution to 0.1 Hz
- Event counting to 10⁶ events with overflow indicator
- Signal input conditioning with switchable 1 MHz low pass filter and attenuator
- Rugged moulded case with convenient fitting carrying handle
- Optional parallel data output with decimal point and annunciation
- Traditional high Fluke quality
- Self check

£235 Carriage and Insurance £3



TMK500
30,000 OPV
A sturdy and reliable instrument. Has internal buzzer
AC volts 0 to 2.5, 10, 25, 100, 250, 500
DC volts 0 to 0.25, 1, 2.5, 10, 25, 100, 250
1000 DC current 0 to 50 µA, 5 mA, 50 mA, 12 amp

Resistance 0.3k ohms, 300k ohms, 3 meg ohms
Decibels 20 - 63dB
Dims 127 x 90 x 32mm
£14.95 (inc. VAT)
P&P £1

Resistance: 0 to 6K, 60K, 6 meg, 60 meg
Decibels: 20 to -56dB
Short test: Internal buzzer
Size: 160 x 110 x 55 mm
£27.95 (inc. VAT)
P&P £1

PLEASE ADD 15% VAT TO ALL ORDERS EXCEPT WHERE ITEMS MARKED "VAT INCLUDED."

CALLERS WELCOME
We are open 9 a.m. - 6 p.m. Monday-Saturday

We carry a very large selection of electronic components and electro-mechanical items
Special quotations on quantities

ROTARY STUD SWITCH

PLESSEY 30-way 2 bank
Single pole Contacts 1 amp
240V AC/DC 0D50 res
Make before break. Stop infinitely adjustable allowing for any desired arc of travel. Ideal for instrument and model switching. Size 2 1/2" dia overall x 2 1/2" deep plus 1 1/2" x 1/4" dia spindle



£3.75 (inc. VAT)
P&P 50p

BENDIX MAGNETIC CLUTCH

Superb example of electro-mechanics. Main body in two sections coil section fixed with 3/8" sleeve drive section rotating on outer perimeter. Uniting plate has 3/8" ID bearing concentric with main section and 18 tooth cog wheel. Extremely powerful transmission. 24V DC 240 mA



Dozens of uses in Home, Farm Workshops & Lab
£4.75 (inc. VAT)
P & P 75p

ELECTRO-TECH COMPONENTS LTD.

364 EDGWARE ROAD, LONDON, W.2. TEL: 01-723 5667

Carston Sell

Carston Carston

Second User Test Equipment, Calibrated to Manufacturer's original specification.

	Prices from £		Prices from £		Prices from £
ACOUSTIC & VIBRATION					
BRUEL & KJAER					
2203 Sound Level Meter	450	DL019 Mains Interface for DL905	300	TF2512 DC -500 MHz Powermeter	145
1613 Octave Filter for Level Meter	275	DRANETZ		TF893A 10 Hz-20 KHz Powermeter	135
2215 Soundmeter inc Octave Filter	1095	606 3ch Volts- Av/ Spike/ Time/ Printer	2625	POWER SUPPLIES etc	
2218 Soundmeter inc LEQ facility	1625	GAY		GAY	
4230 Sound Level Calibrator	95	LDM AC/DC/ Spike/ Time inc Printer	1250	FARNELL	
4424 Noise Dosimeter	375	SCHAFFNER		L30B 0-30V variable 1A Metered	85
4220 Piston Phone Level Calibrator	195	NSG101 Mains Interference Simulator	300	FLUKE	
2603 Mic amplifier 2 Hz-35 KHz	200	MISCELLANEOUS		415B 0-3.1 KV variable 30mA Metered	
1014 BF Oscillator 20 Hz-20 KHz	150	COMARK		ITT	
CEL					
112 Environmental LEQ Meter Batt op	450	1601BLS Thermom 10ch 87 + 1000°C type K	75	Powerlab Dual 15V variable 1A	
144 Improved version of 112 model	1050	1604BLS Thermom 10ch -60 + 170°C type K	82	MARCONI	
BRIDGES & V and I STANDARDS					
FLUKE					
341 DC Voltage Calib 10µV to 1100V	1575	1625BLS Thermom 10ch -100 + 300°C type T	90	TF2154/1 0-30V variable Metered	
GENERAL RESISTANCE					
DAS56 DC V and I Calib 1µV-10V 30mA	850	1625BLS Thermom 10ch -100 + 300°C type T	90	SORENSON	
DAS76 DC V and I Calib 1µV-10V 1A	1100	1642BLS Thermom 10ch -120 + 800°C type J	75	DCR 300-2.5 0-300V variable 2.5A Meter	
HEWLETT PACKARD					
4342 QLC Meter 22 KHz-70 MHz	1400	SCHWARZBECK		VALRADIO	
MARCONI					
TF868A Universal LCR Bridge	250	FSME1515 HF Interference Receiver	400	B17/200S Inverter 12V DC to 230V AC 200W	
TF1245 Q Meter 1 KHz-300 MHz	350	SOLARTRON		PULSE GENERATORS	
WAYNE KERR					
B500 LCR Bridge	240	1180 XY Interface for 1172/74 T.F.A.	1800	EH RESEARCH	
B601 LCR Bridge RF Osc & Det not inc	125	TEKTRONIX		122 1 KHz-200 MHz 5V 50Ω RT 12ns	
B641 LCRG Bridge 0.1%	480	1485C TV Waveform Monitor PAL/NTSC	2300	132 10 Hz-3.5 MHz 50V 50Ω RT 10ns 2 pulse	
COMMS & CABLE TEST EQUIPMENT					
CHASE					
35A Field Strength Meter 20-850 MHz	600	NETWORK ANALYSERS/ PHASEMETERS		MARCONI	
DYMAR					
8801S VHF Radio Telephone - Portable	295	OS1000A 20 MHz 5mV 2 Trace TV trig	200	TF2025 0.2 Hz-25 MHz 10V 50Ω RT 7ns 2 pulse	
883 VHF Radio Telephone - Portable	285	OS1000B 20 MHz 5mV 2 Trace TV trig	250	PHILIPS	
BC282 Batt Charger for 880/883	95	OS3300B 50 MHz 1mV 2 Trace 2T base	675	PM5715 1 Hz-50 MHz 10V vari RT + offset	
HEWLETT PACKARD					
3556A psophometer 20 Hz-20 KHz	250	HEWLETT PACKARD		RECORDERS & ACCESSORIES	
MARCONI					
TF2333 Trans Test Set 30 Hz-550 KHz	600	1740A 100 MHz 5mV 2 Trace 2T base Trig View	1300	BRUNO WOELKE	
NEC					
TT537B Noise & VU Meter -80 to +20 dBm	200	1804A 50 MHz 20mV 4 Trace Plug-in	625	ME102B Wow and Flutter meter	
PYE					
PF2UB UHF Radio Telephone - Portable	125	1825A Dual Timebase Plug-in	500	BRYANS SOUTHERN	
STC					
74216A Noise Generator CCIT	275	1805A 100 MHz 5mV 2 Trace Plug-in	625	BS314 Chart 10" 4 Pen 16 speed	
74261A Psophometer CCIT	375	PHILIPS		BS316 Chart 10" 6 Pen 16 speed	
TEKTRONIX					
7703 TDR Cable Tester CRT + Recorder	2950	PM3211 15 MHz 2mV 2 Trace TV trig	390	HEWLETT PACKARD	
WANDEL & GOLTERMANN					
LD52 200 Hz-600 KHz sender for gp Delay	2000	PM3212 25 MHz 2mV 2 Trace TV trig	575	7015A XY 1 pen A4 size	
LD52 200 Hz-600 KHz sender for gp Delay	2000	PM3214 25 MHz 2mV 2 Trace 2T base	640	7046A XY 2 pen A3 size	
LD52 200 Hz-600 KHz sender for gp Delay	2000	PM3233 10 MHz 2mV 2 Beam 2Ch sig delay	400	KUDELSKI	
LD52 200 Hz-600 KHz sender for gp Delay	2000	PM3244 50 MHz 5mV 4 Trace 2T base	1675	NAGRA 4.2LSP Tape Recorder Portable	
LD52 200 Hz-600 KHz sender for gp Delay	2000	PM3262 100 MHz 5mV 2 Trace 2T base Tr View	1300	MEDELEC	
COUNTERS & TIMERS					
HEWLETT PACKARD					
5300A 6 Digit Display Unit - P/in reqd.	99	465 100 MHz 5mV 2 Trace 2T base	850	Mscope Combined 4 ch scope + UV rec'dr	
5302A 50 MHz Counter Timer for 5300	80	465B 100 MHz 5mV 2 Trace 2T base + Probes	1450	TOP CONDITION EX-STOCK DELIVERY	
5305S 1300 MHz Counter for 5300	325	475 200 MHz 2mV 2 Trace 2T base	1600	Tektronix 466 Storage Scope	
5308A 75 MHz Counter Timer for 5300B	112	485 350 MHz 5mV 2 Trace 2T base	2100	100MHz Dual Trace 5mV/div sensitivity.	
5345 500 MHz 11 digit Counter Timer	1365	7603 100 MHz CRT r/out 3 slot M/Frame	1350	Dual/Dei Time Base. Writing speed 1350 cm/µs - complete with pouch + probes	
10590A Adapter 5245 to 5345 Plug ins	2250	7704 200 MHz CRT r/out 4 slot M/Frame	1450	Brand new storage C.R.T. £2950.	
MARCONI					
TF2432 560 MHz 8 digit Counter	300	7904 500 MHz CRT r/out 4 slot M/Frame	3900	ONE FULL YEAR GUARANTEE	
RACAL					
9024 600 MHz 7 1/2 digit Counter	250	7A12 105 MHz 5mV 2 Trace Plug-in	390	Contact us for a cash quote for your under-utilised test equipment.	
9025 1 GHz 8 digit Counter	500	7A19 500 MHz 10mV 1 Trace Plug-in	950	PHILIPS	
9837 80 MHz 6 digit Counter Timer	190	7A22 1 MHz 10µV Differential Plug-in	630	PM8041 XY 1 pen A4 size	
SYSTRON DONNER					
6053 3 GHz 9 digit Counter BCD O/P	790	7A24 350 MHz 5mV 2 Trace Plug-in	1050	PM8251 Chart 10" 1 pen 12 speed	
6054 18 GHz 11 digit Counter BCD O/P	1950	7A26 200 MHz 5mV 2 Trace Plug-in	890	RACAL	
5103B Strip Printer for 6053/6054	375	7B53A 2 Timebase Plug-in 100 MHz Trig	550	Store 4 Tape Recorder 4 ch FM	
DIGITAL TESTING EQUIPMENT					
HEWLETT PACKARD					
1600S Logic Analyser 32ch 20 MHz	3700	7B80 1 Timebase Plug-in 400 MHz Trig	800	SE LABS	
1600A Logic Analyser 16ch 20 MHz	2300	7B85 2 Timebase Plug-in 400 MHz Trig	700	6150/51 UV chart 6" 12 ch 12 spd + 6 ch amp	
1607 Logic Analyser 16ch 20 MHz	1500	P6013A X1000 12KV Probe	95	994 6 ch galvo preamp + DC bridge supply	
5011T Logic troubleshooting kit	125	P6201 FET Probe DC-900 MHz	300	6008 UV chart 8" 25 ch 16 speed	
8016A Dig Word Gen DC-50 MHz 9 x 32 bit	3400	TELEQUIPMENT		SMITHS	
TEKTRONIX					
7D01F Logic Analyser 16ch 50 MHz P/in	2650	D34 15 MHz 2mV 2 Trace Mains + int batts	540	RE541 Chart 8" 1 pen 8 speed	
832 Datacomm Test V24/RS232/1 loop	1150	D75 50 MHz 5mV 2 Trace 2T base	600	RE501/4701 Cht 4" + XY 1ch 10 spd AC Batt	
MAINS TEST EQUIPMENT					
COLE					
T1007 Volt/Freq/Spike Monitor Rec O/P	110	D83 50 MHz 5mV 2 Trace 2T base Large crt	725	SOLARTRON	
DATALAB					
DL905 Digital Store Spike Monitor	1150	TEXSCAN		3240 Modular Data Logger system	

	Prices from £		Prices from £		Prices from £
GENERAL RADIO					
1362 Generator 220-920 MHz	450	OSCILLOSCOPES & ACCESSORIES			
GOULD ADVANCE					
SG70 Generator 5 Hz-125 KHz 6000/4W	85	GOULD ADVANCE			
HEWLETT PACKARD					
204D Generator 5 Hz-1.2 MHz 6000	150	OSILLOSCOPES (STORAGE)			
8690B Sweeper mainframe	650	HEWLETT PACKARD			
8620B Sweeper mainframe	990	1703A 35 MHz 10mV 2 Tr 2TB 1000 Div/ms			
3310A Function 0.05-5 MHz Sin Sq Tri Rmp	285	TEKTRONIX			
618B Generator 3.8-7.5 GHz	975	564B/3A6/3B1 10 MHz 2Tr 2TB			
612 Generator 450-1230 KHz	750	466 100 MHz 5mV 2 Tr 2TB 1350cm/µs			
614 Generator 0.8-2.1 GHz	825	T912 10 MHz 2mV 2 Tr 1TB 250cm/ms			
MARCONI					
TF144H/4S Generator 10 KHz-72 MHz AM	550	7313 25 MHz 3 Slot M/Frame split 5cm/µs			
TF801D Generator 10 MHz-470 MHz AM	255	7834 400 MHz 4 Slot M/Frame 2500cm/ms			
TF2015 Generator 10-520 MHz AM/FM	850	POWER MEASUREMENT			
TF2171 Synchroniser for TF2015	525	HEWLETT PACKARD			
TF2012 Generator 400-520 MHz FM	650	435A 10 MHz-18 GHz Powermeter			
PHILIPS					
PM5127 Function 0.1 Hz-1 MHz Sin Sq Tri Rmp	450	8481A Type N Coax sensor for 435A			
PM5129 Func 1mHz-1 MHz Usual	645	432A 10 MHz-10 GHz Powermeter			
PM5131 Function 0.1 Hz-2 MHz Sin Sq Tri	275	478A Type N Coax sensor for 432A			
PM5326 Gen 0.1-125 MHz AM/FM	725	MARCONI			
PM5326X Gen as 5326 inc 100 MHz Counter	799	6460 10 MHz-12.4 GHz Powermeter			
RACAL					
9081 Gen Ø Lock 5-520 MHz AM/FM/ØM	1900	6420 Type N Coax sensor for 6460			
TEXSCAN					
9900 Sweeper 10-300 MHz 6/in CRT disp	525				
VS60 Sweeper 5-1000 MHz	890				
TV Markers 31.5 32.5 35 39.5 41.5 MHz	175				
LN40A Log Amplifier	95				
WAVETEK					
2001 Sweeper 1-1400 MHz X tal markers	1450				
SPECTRUM ANALYSERS					
HEWLETT PACKARD					
141T/8552B/8555A Complete .01-18 GHz	5800				
8445A Pre-selector 0.01-18 GHz	1450				
3580A 5 Hz-50 KHz with digi store disp	2400				
VOLTI/MULTI-METER (ANALOGUE)					
AVO					
8 Mk4 AC/DC/V - VI + Ø	70				
BOONTON					
92C AC/RF 10 KHz-1.2 GHz ½mV-3V	350				
HEWLETT PACKARD					
400E 10 Hz-10 MHz 1mV-300V (DC-0/P)	99				
427A AC/DC/Ω AC-1 MHz	195				
3400A TRMS 10 Hz-10 MHz 1mV-300V DC O/P	390				
MARCONI					
TF2603 50 KHz-1.5 GHz 300µV-3V	300				
TF2604 20 Hz-1.5 GHz 300mV-300V	425				
PHILIPS					
PM2454B 10 Hz-12 MHz 1mV-300V DC O/P	250				
RACAL					
9301 RMS 10 KHz-1.5 GHz 100µV-300V	550				
VOLTI/MULTI-METER (DIGITAL)					
ADVANCE					
DMM7A 1999FSD AC/DC/V/II/Ω	115				
BOONTON					
92AD 1999FSD 10 KHz-1.2 GHz 10µV res	525				
FLUKE					
8000A 1999FSD AC/DC/V/II/Ω	115				
HEWLETT PACKARD					
3490A 10000FSD AC/DC/V/II/Ω	625				
SOLARTRON					
A200 1999FSD DC only 1µV-1 KV	115				
A203 1999FSD AC/DC/V/II/Ω	220				
A205 1999FSD TRMS AC/DC/V/II/Ω	230				

TOP CONDITION EX-STOCK DELIVERY

Tektronix 466 Storage Scope
100MHz Dual Trace 5mV/div sensitivity.
Dual/Dei Time Base. Writing speed 1350 cm/µs - complete with pouch + probes
Brand new storage C.R.T. £2950.

ONE FULL YEAR GUARANTEE

Contact us for a cash quote for your under-utilised test equipment.

PHILIPS					
PM8041 XY 1 pen A4 size	790				
PM8251 Chart 10" 1 pen 12 speed	450				
RACAL					
Store 4 Tape Recorder 4 ch FM	2650				
SE LABS					
6150/51 UV chart 6" 12 ch 12 spd + 6 ch amp	1400				
994 6 ch galvo preamp + DC bridge supply	450				
6008 UV chart 8" 25 ch 16 speed	950				
SMITHS					
RE541 Chart 8" 1 pen 8 speed	250				
RE501/4701 Cht 4" + XY 1ch 10 spd AC Batt	200				
SOLARTRON					
3240 Modular Data Logger system	P.O.A.				
YOKOGAWA					
3046 Chart 10" 1 pen 8 speed	350				
3047 Chart 10" 2 pen 8 speed	425				
<i>Note: UV recorders are priced less galvos</i>					
SIGNAL ANALYSIS EQUIPMENT					
AIRMEC					
409 Mod Meter 3 KHz-1.5 GHz AM/FM	250				
HEWLETT PACKARD					
333A Distortion Meter 5 Hz-600 KHz	395				

Carston Electronics Ltd
01-267 5311
Shirley House, 27 Camden Road, London NW1 9NR. Telex: 23920.

Full details and specification of equipment listed, available. Because of long copy dates this list is not comprehensive - ring for inventory update or tell us your SPECIFIC NEEDS. Hours Monday to Friday 9.00 am-5.30 pm (4.30 pm Fridays). Prices exclude delivery and VAT. We take Access or Barclaycard.

W W - 018 FOR FURTHER DETAILS

PACE AP360 POWER AMPLIFIER

AP360 Stereo Power Amplifiers have been well-tried and proven in the music industry. They prove that sonic quality, ruggedness and reliability can be combined in one amp.



Independent power supplies eliminate crosstalk and ensure an accurate sound reproduction.

Power Output. 180 Watts RMS per stereo channel, into 4 Ohms.

AP360 (jacks) £188
 AP360 (XLR) £198

(Incl. Carriage U.K. Mainland. Excl. V.A.T.)

Manufactured in England by:

PACE INDUSTRIAL EQUIPMENT LTD.
 Queen's Road, Royston SG8 5AQ
 Tel. (0763) 45321. Telex 817929

WW-011 FOR FURTHER DETAILS

Professional ASCII Keyboards

ONLY £29.95 + VAT
 ADD POST £1.50
SCOOP



THE 'APPLE' COMPUTER KEYBOARD

- 52 key 7-bit ASCII Coded
 - Positive Strobe, + 5v — 12v.
 - Full ASCII Characters
 - Parallel output with Strobe.
 - Power Light on Control
 - National MM5740 Chip, TTL Output
 - Superbly made, size 12x5.5x1.5in.
 - Black keys with white legends
 - Escape, shift, return and reset keys
- Complete with Circuit and Data

Ideal for use with **TANGERINE, TRITON, TUSCAN, APPLE** and most computers.

Ex-stock from Henry's.

This is definitely the BEST BUY. Supplied BRAND NEW in manufacturer's original packing (ANTI-STATIC). Just post remittance, total **£35.95** (incl. VAT & Post).



HENRY'S

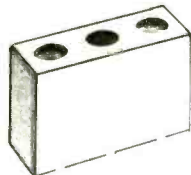


Computer Kit Division
 404 Edgware Road, London W2 1ED, England I.E.D. 01-402 6822

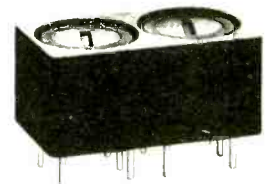
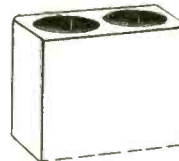
Chokes, block filters, ceramic filters, resonators, IFTs, oscillator coils, audio filter blocks etc.

LOW PASS FILTERS

Now from 10kHz to 20MHz TOKO's recently expanded LPF series covers from the audio spectrum through to 20MHz in a series of LPFs for mpX, video, radio etc.

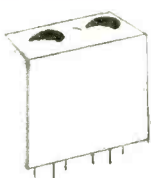


The LPFs are based on 7&10mm formats with up to 4 LC tuned elements per block. Many stock types available.



HELICAL FILTERS

2 & 3 elements available for VHF and UHF: Featuring low insertion losses, -80dB at the +/- 21.4MHz points. Ask for details.



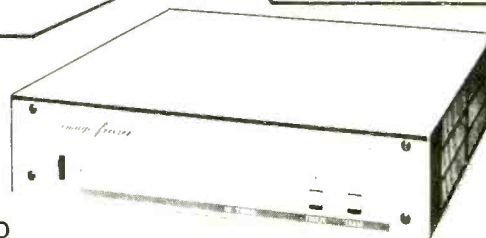
CERAMIC RESONATORS & PIEZO SOUNDERS

Audio buzzers now down to 1kHz - low cost 400-600kHz crystal replacements for MPUs, RCs etc. Low cost - wide range.



VIDEO FRAME STORES

- ★ 525/625 operation
- ★ 512 pixell/line
- ★ Local or remote control
- ★ Top/bottom & L/R reverse
- ★ Models available with digitized I/O

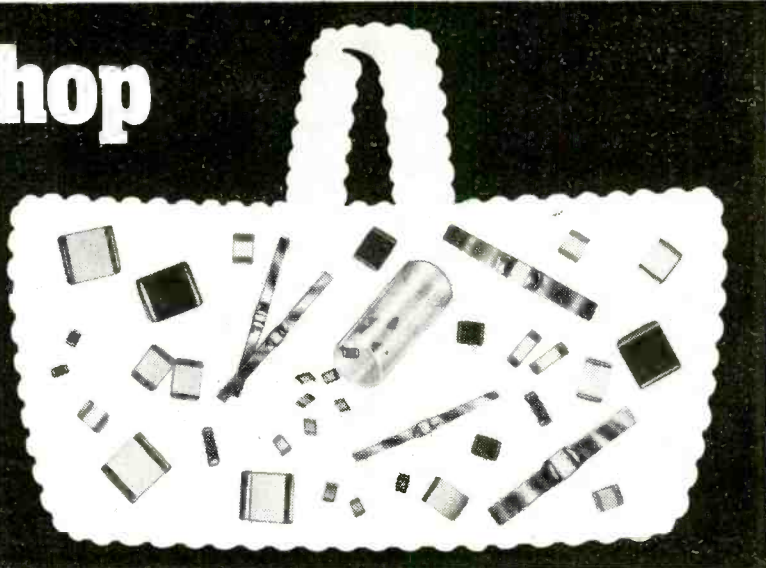


Video frame stores are a new addition to TOKO's memory product range. They permit easy analysis of low dose X-Ray pictures, digital processing of picture information (including the VFM10D with 8" disk drive) with much better resolution than available from VTR

AMBIT international TELEPHONE (STD 0277) 230909 TELEX 995194 AMBIT G POSTCODE CM14 4SG
200 North Service Road, Brentwood, Essex

WW-019 FOR FURTHER DETAILS

Now you can shop in Europe for Microwave Chip Capacitors.



A European source for Microwave and Ceramic Chip Capacitors

is now available from Pascall who offer the full range from Eurofarad, one of Europe's leading capacitor manufacturers. Eurofarad's specifications meet all industrial, military and aerospace applications.

- 4 sizes
- E6 & E12 kits available
- UK stock of individual values
- Available with ribbon leads
- Tinned termination option
- High self-resonant frequency
- High power capability
- High stability

For further details send for the Eurofarad Shortform - now!



WW-027 FOR FURTHER DETAILS

Pascall Electronics Limited
Hawke House, Green Street,
Sunbury-on-Thames, Middlesex TW16 6RA
Telephone: (09327) 87418 Telex: 8814536

Pascall

Def. Stan. 05-31/BS 9000/CECC Approved.

the best in electronics

LINEAR IC'S	LINEAR IC'S	LINEAR IC'S	LINEAR IC'S	4000 series	4000 series	TTL 'N'	'LPSN'	TTL 'N'	'LPSN'	TTL 'N'	'LPSN'	TTL 'N'	'LPSN'	TTL 'N'	'LPSN'	MICROMARKET	LEDS	LEDS	
TBA120S	1.00 SL1610P	1.60 HA11223	2.15 4000	0.18 4068	0.25 TTL 'N'	'LSN'	TTL 'N'	'LSN'	TTL 'N'	'LSN'	TTL 'N'	'LSN'	TTL 'N'	'LSN'	TTL 'N'	'LSN'	8224	3.50	STD OMMED TYPES
L209	1.95 SL1611P	1.60 HA11225	1.45 4001	0.18 4069	0.25 7400	0.13	0.20	7454	0.20	0.30	74128	0.74	74194	1.05	1.20	8251	6.25	5mm RED	12p
U237B	1.28 SL1612P	1.60 HA12002	1.45 4002	0.24 4070	0.30 7401	0.13	0.20	7455	0.20	0.30	74132	0.73	74196	1.34	1.20	8255	5.40	3mm RED	15p
U247B	1.28 SL1613P	1.89 HA12017	0.80 4007	0.30 4071	0.24 7402	0.14	0.20	7460	0.20	0.30	74136	0.70	74198	1.10	1.20	6800P	7.50	3mm RED	15p
U257B	1.28 SL1620P	2.17 HA12402	1.95 4008	0.80 4072	0.24 7403	0.14	0.20	7463	0.20	1.24	74138	0.72	74199	1.60	1.20	6810	5.95	2.5x5 RED	17p
U267B	1.28 SL1621P	2.17 HA12411	1.20 4008AE	0.80 4073	0.24 7404	0.14	0.20	7470	0.40	0.24	74139	0.70	74199	1.60	1.20	6820	7.45	5mm GRN	15p
LM301H	0.67 SL1623P	2.44 HA12412	1.55 4009	0.58 4075	0.25 7405	0.15	0.26	7472	0.30	0.45	74143	3.12	74257	1.08	0.93	6850	4.90	3mm GRN	16p
LM301H	0.65 SL1624C	3.28 LF13741	0.33 4010	0.58 4076	0.90 7406	0.38	0.40	7473	0.35	0.45	74148	1.09	74260	0.89	0.88	6852	4.85	3mm GRN	16p
LM308TC	0.65 SL1625P	2.17 SN76660N	0.80 4011AE	0.24 4077	0.35 7407	0.38	0.40	7474	0.35	0.35	74144	3.12	74260	0.89	0.88	MC2708	6.00	2.5x5 GRN	20p
LM324	0.64 SL1626P	2.44	4011B	0.24 4078	0.30 7408	0.19	0.24	7475	0.56	0.45	74145	0.97	74279	0.88	0.88	2114	6.50	5mm YL	15p
LM339N	0.66 SL1630P	1.50 SAA1058	3.35 4017	0.55 4082	0.28 7409	0.21	0.24	7476	0.41	0.45	74148	1.09	74283	1.20	1.20	2102	1.70	3mm YL	16p
LM348N	0.66 SL1640P	1.89	4013	0.55 4093	0.86 7410	0.18	0.24	7478	0.50	0.50	74150	0.99	74365	0.66	0.66	2513	3.40	2.5x5 YL	20p
LF351N	0.49 SL1641P	1.89	4015	0.95 4175	1.15 7411	0.26	0.32	7480	0.52	0.40	74151	0.99	74365	0.66	0.66	HM4716	4.00	5mm ORA	20p
LF353N	0.76 TD A2002	1.25 SAA1056	3.75 4016	0.52 4503	1.15 7412	0.27	0.32	7481	1.20	0.40	74151	0.55	74367	0.64	0.64	81L597	1.25	3mm ORA	19p
LM374N	3.75 ULN2242A	1.50 SAA1059	3.35 4019	0.80 4506	0.68 7413	0.32	0.40	7482	0.75	0.40	74153	0.70	74367	0.64	0.64	81L597	1.25	2.5x5 ORA	24p
LM380N-14	1.00 CA3080E	0.70 11C90DC	14.00 4020	0.98 4511	1.49 7415	0.51	0.40	7485	1.04	0.99	74155	0.75	74374	1.80	1.10	74377	1.99	5mm Infra Rd	56p
LM381N	1.00 CA3089E	1.84 LN1232	19.00 4021	0.82 4512	0.98 7416	0.30	0.40	7489	2.05	0.99	74156	0.80	74377	1.99	1.99	BPW41	1F Det	1.51	1.51
ZNA19CE	1.98 CA3090AQ	3.35 LN1225	19.00 4022	0.96 4514	2.55 7417	0.30	0.40	7490	0.42	0.90	74157	0.78	74377	1.99	1.99	IF Opto Cpl	1.44	5mm Clip	5p
NE544N	1.80 CA3123B	1.40 MSL231B	3.84 4023	0.25 4518	1.03 7420	0.19	0.24	7491	0.85	1.20	74158	0.80	74377	1.99	1.99	FLAT TOP LEADS			
NE555N	0.90 CA3130C	0.80 MSMS523	11.30 4024	0.76 4520	1.09 7421	0.38	0.24	7493	0.57	0.99	74159	2.10	74377	1.99	1.99	SHAPES.....			
NE566	0.50 CA3130T	0.90 MSMS524	11.30 4025	0.25 4521	2.36 7423	0.27	0.35	7493	0.57	0.99	74160	0.99	74377	1.99	1.99	SQUARE 3x3mm			
NE560N	3.50 CA3140E	0.46 MSMS525	7.85 4026	1.80 4522	1.49 7425	0.27	0.35	7494	0.85	1.15	74162	0.99	74377	1.99	1.99	RECT. 2.5x5mm			
NE562N	4.05 CA3189E	2.20 MSMS526	7.85 4028	0.79 4529	1.61 7427	0.32	0.35	7495	0.70	1.15	74163	0.99	74377	1.99	1.99	TRIA. 3x3mm			
NE564N	4.29 CA3240	1.27 MSMS527	9.75 4029	1.04 4539	1.28 7428	0.35	0.35	7496	0.58	1.20	74163	0.99	74377	1.99	1.99	TRIA. 5x5mm			
NE565N	1.00 MC3357P	2.85 MSMS527	9.75 4030	0.59 4549	3.50 7430	0.17	0.26	7497	1.85	1.20	74165	1.20	74377	1.99	1.99	ROUND 3mm			
NE566N	1.60 LM3900N	0.60 MSL2312	3.94 4035	1.20 4554	1.73 7432	0.32	0.32	74107	0.63	0.40	74165	1.20	74377	1.99	1.99	ROUND 5mm			
NE570N	3.85 LM3909N	0.68 SP8629	3.85 4040	0.98 4560	2.18 7437	0.40	0.40	74109	0.63	0.40	74169	2.50	74377	1.99	1.99	78MGT2C			
SL624	1.58 LM3914N	2.80 SP8647	6.00 4042	0.95 4566	1.59 7438	0.33	0.35	74110	0.54	0.28	74170	2.30	74377	1.99	1.99	79MGT2C			
TBA651	1.81 LM3915N	2.80 95H90PC	7.80 4043	0.85 4568	2.18 7440	0.20	0.28	74112	0.68	0.41	74172	1.05	74377	1.99	1.99	TDC3N			
uA709HC	0.64 KB4400	0.80 HD10551	2.45 4043AE	0.93 4569	3.03 7441	0.74	0.99	74113	0.75	0.40	74173	1.05	74377	1.99	1.99	78MGT2C			
uA709PC	0.46 KB4406	0.60 HD44015	4.45 4044	0.94 4572	3.00 7442	0.70	0.99	74114	0.85	0.40	74177	0.84	74377	1.99	1.99	78MGT2C			
uA710HC	0.65 KB4412	1.95 HD12009	6.00 4046	1.30 4585	1.00 7443	1.15	1.18	74115	0.85	0.40	74177	0.84	74377	1.99	1.99	78MGT2C			
uA710PC	0.59 KB4413	1.95 HD44752	8.00 4047	0.99 4587	1.00 7444	1.12	1.18	74116	0.85	0.40	74177	0.84	74377	1.99	1.99	78MGT2C			
uA7141CH	0.66 KB4417	1.80 MC145151	12.45 4048	0.99 4587	1.00 7444	1.12	1.18	74117	0.85	0.40	74177	0.84	74377	1.99	1.99	78MGT2C			
uA7141CH	0.66 KB4417	1.80 MC145151	12.45 4048	0.99 4587	1.00 7444	1.12	1.18	74118	0.85	0.40	74177	0.84	74377	1.99	1.99	78MGT2C			
uA7141CN	0.27 KB4420B	1.09 MC145156	8.75 4050	0.55 4555	0.78 7445	1.05	1.18	74119	0.85	0.40	74177	0.84	74377	1.99	1.99	78MGT2C			
uA747CN	0.70 TD A4420	2.65 MISC	4051	0.78 7447	0.89 7448	1.32	1.32	74122	0.46	0.99	74184	1.35	74377	1.99	1.99	78MGT2C			
uA748CN	0.36 KB4423	2.30 100kHz	3.35 4052	0.79 7448	0.99 7449	1.32	1.32	74123	0.73	0.99	74185	1.34	74377	1.99	1.99	78MGT2C			
uA753	2.44 KB4424	1.65 ICM7106CP	9.55 4053	0.78 7449	0.99 7450	1.32	1.32	74124	0.46	1.80	74190	0.92	74377	1.99	1.99	78MGT2C			
uA758	2.35 KB4431	1.95 ICM7107CP	9.55 4063	1.54 7451	2.00 7452	1.32	1.32	74125	0.55	0.46	74192	1.20	74377	1.99	1.99	78MGT2C			
TBA820M	0.78 KB4432	1.95 ICM7216BP	19.50 4063	1.18 7452	2.00 7453	1.32	1.32	74126	0.57	0.46	74193	1.42	74377	1.99	1.99	78MGT2C			
TC940E	1.80 KB4433	1.52 ICM7555	0.94 4066	0.57 7453	0.20 7454	1.32	1.32	74127	0.46	0.99	74193	1.42	74377	1.99	1.99	78MGT2C			
TD A1028	2.11 KB4436	2.53 MISC	4066	0.57 7454	0.20 7455	1.32	1.32	74128	0.46	0.99	74193	1.42	74377	1.99	1.99	78MGT2C			
TD A1029	2.11 KB4437	1.75 MISC	4066	0.57 7454	0.20 7455	1.32	1.32	74129	1.15	0.40	74181	2.80	74377	1.99	1.99	78MGT2C			
TD A1054	1.45 KB4438	2.22 32.768kHz	2.70 10.245	0.25 4598	2.50 7456	1.32	1.32	74130	0.46	0.99	74182	1.34	74377	1.99	1.99	78MGT2C			
TD A1062	1.95 KB4441	1.35 100kHz	3.35 10.5985	2.50 7457	1.32	1.32	74131	0.46	0.99	74183	1.34	74377	1.99	1.99	78MGT2C				
TD A1072	1.95 KB4442	1.35 455kHz	5.00 10.700	2.50 7458	1.32	1.32	74132	0.46	0.99	74184	1.34	74377	1.99	1.99	78MGT2C				
TD A1074A	5.04 KB4446	2.75 1.000MHz	2.95 10.7015	2.50 7459	1.32	1.32	74133	0.46	0.99	74185	1.34	74377	1.99	1.99	78MGT2C				
TD A1083	1.95 KB4448	1.65 3.2768	2.70 11.00	2.50 7460	1.32	1.32	74134	0.46	0.99	74186	1.34	74377	1.99	1.99	78MGT2C				
TD A1090	3.05 NE5044N	2.26 4.000	2.00 11.115	2.50 7461	1.32	1.32	74135	0.46	0.99	74187	1.34	74377	1.99	1.99	78MGT2C				

CB RADIO ACCESSORIES

THE
LARGEST DISTRIBUTORS OF
CB ACCESSORIES IN THE U.K. Come and see the
biggest and best selection of CB Radio Accessories from all the leading manufacturers, including:

HI HARADA

K40



TURNER

CB by ARISTA

WT



TELEX

Sole UK agents for:-

NV-RAMA CORPORATION-SA



the antenna specialists co.



SWR METERS
Including RAMA, HANSEN etc.



Mura Electronics (UK) Ltd., 79 Church Rd, Hendon, London NW4 Tel: 01 203 5277/8

MORE SPEC. FOR YOUR MONEY

TYPE 643 FUNCTION GENERATOR

0.01Hz to 999KHz

SINE SQUARE and TRIANGLE

DIGITAL SETTING

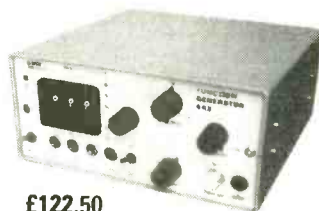
DC OFFSET

PROGRAMMABLE

SIMULTANEOUS OUTPUTS

50 Ω MAIN OUTPUT

(10V. attenuable)



£122.50

& £3 carriage, ins. etc.

TYPE 643A FUNCTION GENERATOR

0.01Hz to 1.1MHz

SINE SQUARE and TRIANGLE

DIAL SETTING

DC OFFSET

PROGRAMMABLE

SIMULTANEOUS OUTPUTS

600 Ω MAIN OUTPUT

(10V. attenuable)



£106.75

& £3 carriage, ins. etc.

OMB ELECTRONICS, RIVERSIDE, EYNSFORD, KENT DA4 DAE
Tel. Farningham (0322) 863567

Prices, which are CWD and ex-VAT, are correct at the time of going to press and are subject to change without notice.

FROM OMB ELECTRONICS
WW-008 FOR FURTHER DETAILS

MICRO SPEECH 2 DOES YOUR COMPUTER SPEAK TO YOU?

MICROSPEECH 2 is a stand alone speech synthesizing unit. It converts ASCII text or phonetic code into a speech output. **MICROSPEECH 2** may be interfaced to any computer system because all the computation necessary to synthesize speech is performed by its own dedicated microprocessor. Up to one thousand phonetic characters, representing about one minute of speech, may be assembled in the unit's internal buffer before it is commanded to speak.

FEATURES

- Extremely low data rate required (40 bits/sec.)
- Runs from phonetic code, giving unlimited vocabulary and simple operating software.
- English to phonetics translator allows operation directly from ordinary text.
- Uses standard RS232/V24 interface.
- Totally self contained with internal loud-speaker and power supply.
- No need to worry about complex interfacing or support software.



PRICE £950 + VAT

Available from:

TIM ORR DESIGN CONSULTANT

55 Drive Mansions, Fulham Road, London SW6
(01) 7312077

COSTRONICS ELECTRONICS 13 Field Heath Avenue
Hillingdon, Middlesex. Uxbridge (0895) 38791

BULK EPROM PROGRAMMING

2-YEAR WARRANTY ON SHOW AT MICROSYSTEMS 81

P4000 PRODUCTION EPROM PROGRAMMER

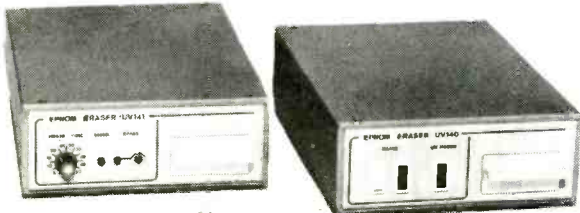


This unit provides simple, reliable programming of up to 8 EPROMS simultaneously. It has been designed for ease of operator use — a single 'program' key starts the self check — blank check — program — verify sequence. Independent blank check & verify controls are provided along with mode, pass/fail indicators for each copy socket and a sounder to signal a correct key command & the end of a programming run. Any of the 2704/2708/2716 (3 rail) & 2508/2758/2516/2716/2532/2732 (single rail) EPROMS may be selected without hardware or personality card changes.

PRICE £545 + VAT. Postage paid

BULK EPROM ERASING

EX-STOCK



MODEL UV141 EPROM ERASER

- 14 EPROM capacity
- Fast erase time
- Built-in 5-50 minute timer
- Convenient slide-tray loading of devices
- Safety interlocked to prevent eye and skin damage
- Rugged construction
- MINS & ERASE indicators
- Price £78 + VAT postage paid.

MODEL UV140 EPROM ERASER

Similar to Model UV141 but without timer. **Price £61.50 + VAT post paid**

BULK EPROMS

EX-STOCK

	1-9	10-24	25-49	50-99	100 up
2716 (450ns) (single rail)	£6.00	£5.50	£5.00	£4.50	£4.20
2708 (450ns)	£3.90	£3.50	£3.10	£2.90	

Postage and Packing is included in all prices. ADD VAT at 15%. All our EPROMS are manufactured by leading companies and are fully guaranteed, branded and to full specification.

WRITE OR TELEPHONE FOR FURTHER DETAILS OR SEND OFFICIAL COMPANY ORDERS/CHEQUES TO:

PLEASE NOTE NEW ADDRESS & TELEPHONE NUMBER

GP INDUSTRIAL ELECTRONICS LTD.

Unit 6, Burke Road, Totnes Industrial Estate, Totnes, Devon
 Telephone: Totnes (0803) 863360 sales, 863380 technical
 Telex: 42596

DISTRIBUTORS REQUIRED - EXPORT ENQUIRIES WELCOME

WW—064 FOR FURTHER DETAILS

MICROCOMPUTER COMPONENTS

LOWEST PRICES — FASTEST DELIVERY

DEVICE	PRICE	DEVICE	PRICE	DEVICE	PRICE
CPUs		74LS15	0.15	74LS379	0.56
6502	6.50	74LS20	0.14	74LS386	0.29
6800	3.82	74LS21	0.15	74LS390	0.68
6802	5.74	74LS22	0.15	74LS393	0.61
6803	14.53	74LS26	0.19	CMOS	
6809	18.94	74LS27	0.15	4000	0.14
8085A	10.95	74LS28	0.17	4001	0.14
Z80 CPU	6.84	74LS30	0.14	4002	0.14
Z80A	8.23	74LS32	0.14	4006	0.85
SUPPORT CHIPS		74LS33	0.17	4007	0.18
6520	3.50	74LS37	0.17	4008	0.75
6522	6.50	74LS38	0.17	4009	0.39
6532	8.25	74LS40	0.14	4010	0.47
6821	1.93	74LS42	0.40	4011	0.17
6840	5.87	74LS47	0.42	4012	0.23
6850	1.95	74LS48	0.70	4013	0.42
6862	7.09	74LS49	0.62	4014	0.78
6871AIT	20.90	74LS51	0.14	4015	0.80
6880	1.07	74LS54	0.15	4016	0.34
6887	0.80	74LS55	0.15	4017	0.68
8212	2.25	74LS73	0.22	4018	0.75
8216	1.95	74LS74	0.19	4019	0.44
8224	2.50	74LS75	0.30	4020	0.82
8228	4.20	74LS76	0.25	4021	0.88
8251	4.75	74LS78	0.22	4022	0.84
8253	10.00	74LS83	0.54	4023	0.23
8255	4.80	74LS85	0.77	4024	0.49
Z80 CTC	4.75	74LS86	0.18	4025	0.19
Z80A CTC	5.78	74LS86	0.36	4026	1.28
Z80 DMA	17.62	74LS90	0.81	4027	0.44
Z80A DMA	21.02	74LS91	0.40	4028	0.80
Z80 DART	13.44	74LS92	0.39	4028	1.85
Z80A DART	16.13	74LS93	0.48	4033	1.70
Z80 P10	4.75	74LS95	0.48	4034	1.99
Z80A P10	5.78	74LS109	0.26	4035	1.05
Z80 S10-0	20.11	74LS112	0.26	4036	2.75
Z80 S10-1	20.11	74LS113	0.26	4039	2.95
Z80 S10-2	20.11	74LS114	0.26	4040	0.83
Z80A S10-0	24.17	74LS122	0.45	4041	0.80
Z80A S10-1	24.17	74LS123	1.07	4042	0.68
Z80A S10-2	24.17	74LS124	1.07	4043	0.78
MEMORIES		74LS125	0.29	4044	0.78
2101	3.68	74LS126	0.29	4044	1.70
2102	2.54	74LS132	0.51	4045	0.95
2114 200ns	1.50	74LS136	0.29	4046	0.98
2708	2.00	74LS138	0.40	4047	0.54
2716 (5v)	3.35	74LS139	0.40	4048	0.34
2732	8.78	74LS145	1.13	4049	0.37
4116 150ns	1.60	74LS148	0.78	4050	0.78
4116 200ns	1.50	74LS151	0.35	4051	0.78
REGULATORS		74LS153	0.35	4052	0.78
7805	0.55	74LS155	0.50	4053	1.28
7812	0.55	74LS156	0.50	4054	1.23
7905	0.65	74LS157	0.36	4055	1.08
7912	0.65	74LS158	0.40	4060	1.18
CRT CONTROLLERS		74LS160	0.43	4063	0.46
9364AP	8.64	74LS161	0.43	4066	4.25
6845	11.72	74LS162	0.43	4067	0.25
BUFFERS		74LS163	0.43	4068	0.19
81LS95	1.20	74LS164	0.51	4069	0.29
81LS96	1.25	74LS166	0.37	4070	0.24
81LS97	1.20	74LS173	0.77	4071	0.24
81LS98	1.25	74LS174	0.78	4072	0.24
81LS99	1.50	74LS175	0.60	4073	0.24
8T26A	1.50	74LS181	1.50	4075	0.83
8T28A	1.50	74LS190	0.61	4076	0.29
8T95N	1.50	74LS191	0.61	4077	0.26
8T97N	1.50	74LS192	0.69	4078	0.24
8T98	1.50	74LS193	0.69	4081	0.24
MISC. SUPPORT CHIPS		74LS194	0.42	4082	0.57
AY-3-1015	4.29	74LS195	0.42	4086	0.70
AY-5-1013	7.00	74LS196	0.68	4093	0.53
AY-5-2376	7.00	74LS197	0.68	4502	0.99
MC1488	0.75	74LS221	1.01	4507	2.75
MC1489	0.75	74LS240	1.15	4508	0.83
MC14411	8.75	74LS241	0.85	4510	0.63
MC14412	8.75	74LS242	0.85	4511	0.79
RO-3-2513L	7.82	74LS243	0.84	4512	1.93
RO-3-2513U	7.82	74LS244	1.21	4514	0.89
DATA CONVERTERS		74LS245	0.41	4515	0.89
ZN425E	3.50	74LS247	0.74	4518	0.68
ZN426E	3.00	74LS248	0.74	4519	0.89
ZN427E	6.28	74LS249	0.46	4520	0.89
ZN428E	4.78	74LS253	0.46	4521	2.05
ZN429E	2.10	74LS257	0.57	4522	1.45
ZN432	28.09	74LS258	0.40	4526	0.95
ZN433	22.59	74LS259	1.15	4527	1.20
Data Converter Handbook	1.00	74LS261	3.12	4528	0.99
74LS SERIES		74LS266	0.25	4532	1.15
74LS00	0.14	74LS273	0.97	4541	1.45
74LS01	0.15	74LS279	0.37	4543	1.45
74LS02	0.14	74LS283	0.45	4553	0.50
74LS03	0.14	74LS290	0.60	4555	0.59
74LS04	0.15	74LS293	0.53	4566	1.90
74LS05	0.15	74LS365	0.39	4585	1.35
74LS08	0.14	74LS366	0.38		
74LS09	0.15	74LS367	0.38		
74LS10	0.14	74LS368	0.38		
74LS11	0.15	74LS373	0.79		
74LS12	0.15	74LS374	0.79	CRYSTALS	
74LS13	0.29	74LS375	0.50	4MHz	2.20
74LS14	0.51	74LS377	0.97	E. & O.E.	
		74LS378	0.73		

OFFICIAL ORDERS WELCOME

QUANTITY DISCOUNTS AVAILABLE

MIDWICH COMPUTER CO. LTD.

(Dept. WW)
 HEWITT HOUSE, NORTHGATE STREET
 BURY ST. EDMUNDS, SUFFOLK IP33 3HQ
 TELEPHONE: (0284) 701321
 TELEX: 817682 MIDCOM G

All Prices exclude post and packing on order under £10 (50p) and VAT (15%).
ALL ORDERS DESPATCHED ON DAY OF RECEIPT WITH FULL REFUND FOR OUT OF STOCK ITEMS.
 24-hour Telephone Credit Card Orders
 TELEPHONE (0284) 701321

CREDIT CARD ORDERS WELCOME

WW — 077 FOR FURTHER DETAILS

COMPUTER SPEECH PROJECT

ADD VERBAL OUTPUT TO A COMPUTER OR LOGIC SYSTEM OF ANY KIND

Modus Systems Ltd. can now supply a range of fixed-vocabulary speech synthesiser boards to aid in the evaluation and addition of speech to any computer or logic device. The words available are basic and revolve around numerical words such as "two", "thirty", "pounds", etc. The units of particular interest, produced by Telesony Systems Inc. (TSI) are the 24 and 64 English units, consisting of a controller chip and one or two 2K ROM's, respectively.

Interfacing depends upon three main systems: logic, power and audio sections. Modus Systems have developed a General Interface Board which includes all of these aspects and permits easy interfacing to your logic system. Two levels of power supply are required. One (+5 Volt) is expected to be supplied from the microcomputer. The other is supplied from a power supply on the interface board, which also includes all necessary interfaces to the computer. The board also has an edge socket in which the speech board sits, and a plug and socket for ribbon cable connection to a computer. A small 10 to 15 Volt transformer is required for power and an 8 Ohm speaker for the voice output.

A computer is by no means necessary to use the speech board. Any device (even a bank of switches!) which gives a 6-bit word to signify which word is to be spoken, along with a start signal will control the unit. Applications include speaking clocks, telephone answering, games, calculators, audio readout in industrial control applications, etc., etc.

Vocabularies and prices:

- S2A (£44.95 + 80p PP + VAT: SPECIAL INTRO OFFER). 24 - Calculator type words: 0-9, +, -, x, etc. -
- S2B (£69.50 + 80p PP + VAT), 64 words.
- As for S2A plus "ten", "twenty", etc., "pounds", "cm", "ounces", etc.
- S2C (£69.50 + 80p PP + VAT), 64 words.
- FULL ASCII set - each ASCII Code verbalised in sequence.
- N.B. 24 word French, German and Arabic boards also available.

Interface Board (Kit) (£14.95 + 80p PP + VAT).

S2A, B, C board plugs into on-board socket. This PCB contains latches, audio filter, PSU, audio amplifier, 1/0 plug and socket.

★★ SERIES 3 SPEECH BOARDS INCLUDING UNLIMITED SPEECH

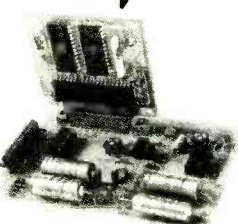
The new Series 3 Board (S3D) includes all the interfacing necessary on the PCB, plus an extra (EPROM) socket for custom words. The S3D is a single/supply (Plus 5V) board with audio amplifier included. **S3D £180** (1/off price). Extra words (1 only charge).

For words already in our lexicon, the cost per word is: £100, new words (in any accent): £200 per word.

★★ COMING SOON

Series III speech board containing 119 words and all interfacing necessary on a single PCB (requires a single +5V supply only). Spare ROM socket may be used for a custom vocabulary.

LOW COST SYNTHESISED SPEECH



LOW COST EDUCATIONAL MICRO-COMPUTER

MODUS SYSTEMS LTD.
Phone Letchworth (04626) 74468/76392
29A EAST CHEAP, LETCHWORTH, HERTS. SG6 3DA

GET TO GRIPS WITH THE MICRO PROCESSOR ITSELF WITH

THE EDUKIT

you can even make it talk with our speech board!

FULL KIT **£38.95** + 80p PP+VAT
Designed by Dr. A. A. BERK

TECHNICAL SPEC.

- ** CMOS 1802 Processor (RCA) - excellent MPU for control.
- ** 256 bytes of RAM - plenty for learning machine codes.
- ** Hexadecimal display - large and readable.
- ** Full hex keyboard - positive "click" type switches.
- ** Full manual - starts at soldering, ends with control circuits.
- ** Loudspeaker output - simple audio experiments.
- ** Excellent for all ages from secondary school level upwards.

The EDUKIT has proven a great success providing an excellent introduction to silicon chip technology from the bottom upwards. Many schools and colleges are using the kit, and sales now extend world wide. The machine is **not** meant to form the basis of a large and expandable personal computer system. The EDUKIT teaches all those things which a purely BASIC running machine cannot; i.e. the basis of hardware electronic control, down-to-earth Bits and Bytes, Machine Code, etc. - and all this at a really throw away price. The manual is written by Dr. A. A. Berk to impart educational understanding from the beginning.

1802 USER'S MANUAL (essential for full understanding of MPU used in EDUKIT) **£4.75** + 50p PP.

FULL SOCKET SET for EDUKIT: **£2.99** + VAT (PP included).

EPROM PROGRAMMER P.C.B. £8.95 (fully inc.)

(For 2708s and multi supply 2716s)

See P.E. Dec. '79 and Jan. '80 for full description of programmer, along with interface to COMPUKIT.

WW - 064 FOR FURTHER DETAILS

Memories	Price
2114L-300ns	£2.10
4116-200ns	£1.89
2708-450ns	£3.15
2716-450ns	£4.99

74LS series	Price
74LS240	£1.54
74LS243	£1.54
74LS244	£1.54
74LS245	£1.70

Bridge Rectifiers	Price
25 Amp 50 volt	£0.74
25 Amp 100 volt	£0.94
25 Amp 200 volt	£1.26
25 Amp 400 volt	£1.68
25 Amp 600 volt	£2.10
25 Amp 800 volt	£2.63

Please add 50 pence for carriage.
All prices EXCLUDE VAT
Please send s.a.e. for price list.

STRUTT LTD.

ELECTRONIC COMPONENT DISTRIBUTORS
ETC.

3c BARLEY MARKET STREET, TAVISTOCK
DEVON, ENGLAND PL19 0JF

Tel. Tavistock (0822) 5439/5548. Telex: 45263

Audio power meter



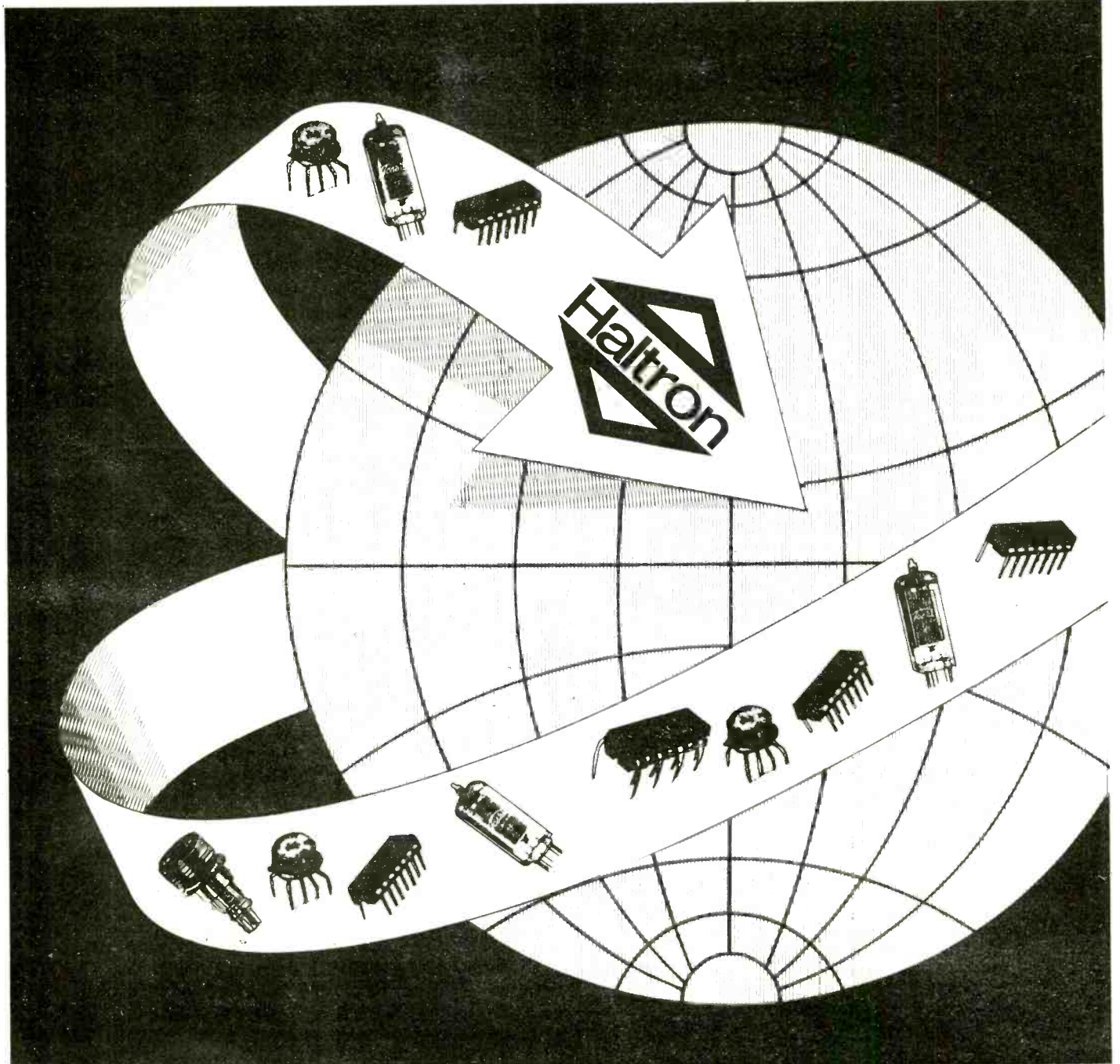
Wide range:

- * 30Hz to 30k Hz
- * 10µW to 50W
- * 1-2 to 1000 Ω
- * mains/battery
- * decibel scale - 18dBm to + 47dBm



FARNELL INSTRUMENTS LIMITED
SANDBECK WAY - WETHERBY
WEST YORKSHIRE LS22 4DH
TELEPHONE (0937) 61961

WW - 047 FOR FURTHER DETAILS



The Professionals

VALVES, SEMICONDUCTORS
& COMPONENTS for:-

Communications, Displays,
Radar, Computer,
Audio etc.

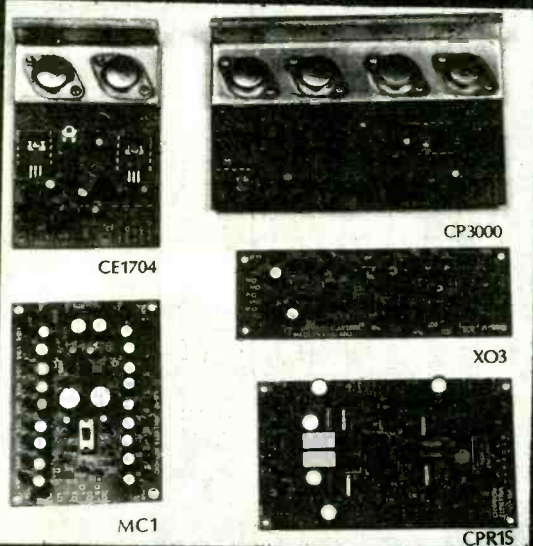
Hall Electric Limited,
Electron House,
Cray Avenue, St. Mary Cray,
Orpington, Kent BR5 3QJ.
Telephone: Orpington 27099
Telex: 896141

MIN DEF APPROVAL 0529/0531

WW-022 FOR FURTHER DETAILS

Join the Professionals...

Crimson modular audio amplifiers feature: ★ **Low values of transient and steadystate distortions** ★ **Envelope distortion (below 500 Hz) less than 0.05%** ★ **on-board electronic protection** ★ **P.C.B. pin and edge connector termination** ★ **Full range of complimentary components, i.e. P.S.U.'s, heatsinks etc. available from Crimson.**



The Crimson range of amplifier modules are built to very high standards and have earned an enviable reputation in every field to which they have been applied. The boards come ready built and tested (guaranteed for two years) and can be used to advantage where high quality signal amplification is required. The power amplifier modules range from 60WRMS to 310WRMS with up to twice this amount in bridge mode. All feature substantial heatsink brackets which can be bolted to any available heatsink or the Crimson purpose designed types. Input sensitivity is set at 775mV and power supply requirements are catered for by one of the three Crimson toroidal power supplies. The Pre-amplifier module (CPR1) is basically a phono amplifier with sophisticated circuitry incorporating R.I.A.A. equalisation. Also on-board is auxiliary amplification for tape and tuner inputs. A separate module (MC1) is also available and gives the required boost for low output moving coil tape cartridges. External components required are potentiometers for volume and balance, switches for signal routing and a regulated $\pm 15V$ D.C. power source (REG1). Complementing this range, are the electronic crossover modules XO2/XO3 which, with a special muting board (MU1) can be incorporated in all types of active speaker systems.

Numerous applications are possible with Crimson modules. For example, a complete Hi-Fi Pre & Power amplifier of 40-125WRMS/channel can be built using our Hardware kits (see Hobby Electronics review, August 1980). Alternatively, Mono or Stereo slave amps of up to 500WRMS can be built into proprietary flight cases, while other uses include active loudspeaker systems such as designed by R. I. Harcourt in Wireless World October/November 1980. Further details of how to use the modules are contained in the Users / Application Manual available at £0.50.

SPECIFICATIONS

Type	D/P8ohms*	O/P4ohms*	PSU	H/Sinks	Stew	S/N	Sensitivity	T.H.D (typ)	F.R	Size
CE 608	32		CPS1	50mm	30V/1.5	110dB	775mV	0.0035%	1.5Hz-50kHz: 3dB	80 120 25
CE1004	44	70	CPS3	100mm	30V/1.5	110dB	775mV	0.0035%	1.5Hz-50kHz: 3dB	80 120 25
CE1008	66		CPS3	100mm	30V/1.5	110dB	775mV	0.0035%	1.5Hz-50kHz: 3dB	80 120 25
CE1704	85	121	CPS6	150mm FM1	30V/1.5	110dB	775mV	0.0035%	1.5Hz-50kHz: 3dB	80 120 25
CE1708	125		CPS6	150mm FM1	30V/1.5	110dB	775mV	0.0035%	1.5Hz-50kHz: 3dB	80 120 25
CP3000		250	CPS6		30V/1.5	110dB	775mV	0.0035%	1.5Hz-50kHz: 3dB	161 102 35
CPR15	Output	775mV	REG1	FM2	3V/1.5	100dB	2.8mV/RMS	0.008%	20Hz-20kHz	138 80 35
MC15	Output	2mV	REG1			65dB	10uV/150	0.008%	20Hz-20kHz	80 120 35
XO2 XO3	Output	775, 2500mV	REG1		9v r.s.	90dB	775mV	0.01%	X over points	150 50 20

* Power output is quoted WRMS and is given for two modules run off the same power supply. Higher powers are obtainable if using one module per P.S.U. or if using a stabilised P.S.U.

PRICES - HELD FROM MAY - TO APRIL '81

Power Amplifier Modules	Power Supply Modules	Heatsinks
CE 608 £21.00	CPS1 (80VA) £19.50	50mm £1.70
CE1004 £24.50	CPS3 (150VA) £23.50	100mm £2.70
CE1008 £27.50	CPS6 (250VA) £30.00	150mm £3.50
CE1704 £35.00	REG1 £9.30	FM1 £3.00
CE1708 £35.00	TR6 £12.50	FM2 £4.20

Pre-Amplifier Modules	Active Crossovers	Hardware
CPR1 £34.00	XO2 £19.00	Pre Amp £39.80
CPR15 £44.50	XO3 £28.35	Power Amp £38.00
MC1 £26.00	MU1 £17.50	Thermal Outputs £1.90
MC15 £37.00		

BARCLAYCARD



Prices include VAT P&P to anywhere in the UK. COD £1.00 extra (Limit £100). Export - Pay by Access Master Charge, Visa Card, or write for proforma.

PLEASE SEND ME MORE DETAILS OF ALL CRIMSON ELEKTRIK AMPLIFIERS

Name _____ Address _____ WW

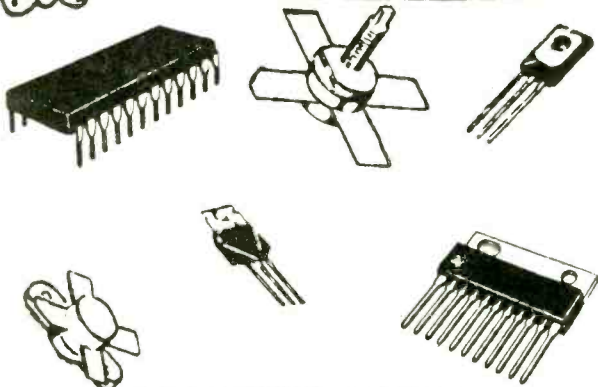


Crimson Elektrik

9 CLAYMILL ROAD, LEICESTER LE4 7JJ, ENGLAND. Tel. 0533 761920. Telex 34694 Chamco G CRIMLEK



RUBBER DUCK TO LOGI BAIRD - SAY GOOD BUDDY, WHERE DO I GET TRANSISTORS AND I.C.'s FOR C.B. AND R.F. APPLICATIONS?



'ANGLIA' OF COURSE!! THEY ARE THE UK'S LEADING SUPPLIER OF MOTOROLA & JAPANESE TYPES!



BURDETT ROAD, WISBECH
CAMBS PE13 2PS
TEL: 0945 63281
TELEX 32630



Anglia is a franchised distributor with a wide product range. Our catalogue is available to all professional users

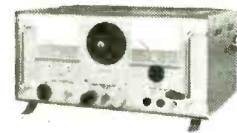
PRODUCTION TESTING

DEVELOPMENT

SERVICING

POWER UNITS

Now available with 3 OUTPUTS



Type 250VRU / 30 / 25

- OUTPUT 1: 0-30v, 25A DC
- OUTPUT 2: 0-70v, 10A AC
- OUTPUT 3: 0-250v, 4A AC

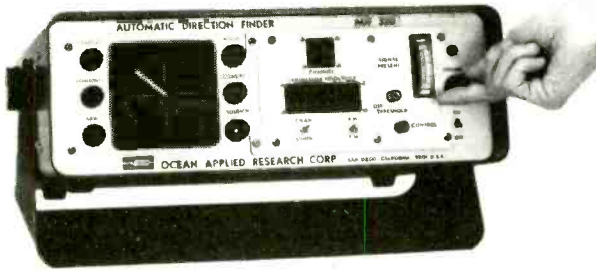
ALL Continuously Variable

Valradio

VALRADIO LIMITED, BROWELL'S LANE, FELTHAM MIDDLESEX TW13 7EN
Telephone: 01-890 4242/4837

WW-031 FOR FURTHER DETAILS

**NEW FOR 1981
WIDE COVERAGE
VHF BAND RADIO
DIRECTION FINDERS
MODEL ADFS-320**



- 108 to 174 MHz tuning range now standard.
- 70-250 MHz, 25-250 MHz, and 100-500 MHz ranges also available.
- Compact, rugged, and lightweight for portable use — battery or AC operation.
- Interchangeable antenna mounts for land vehicle, aircraft, ship, field, and base-station installations.
- Synthesizer tuning in 1 kHz increments — plus options for 1 to 99 preprogrammed frequency channels.
- Efficient CRT direction display for homing and tracking applications.
- Digital bearing readout, scanning circuit and computer-operated "remote control" system also offered.

O.A.R. division of
General Indicator Corp.
10447 Roselle St., San Diego, CA 92121 U.S.A.
Telephone (714) 453-4013 • TELEX 697852
Cable: OAR CORP



WW - 067 FOR FURTHER DETAILS

Zaerix **WHO'S
LOOKING....
FOR
INEXPENSIVE, HIGH QUALITY
COLLET KNOBS**



OFF THE SHELF CUSTOMISING

Body Options

10, 14, 21, 29 & 38mm dia. circular, with or without wings in black or grey gloss finish. 14 & 21mm dia. circular in black, grey or red matt finish.

Push Fit Caps

In black, grey, red, yellow, green, blue, ivory or chrome plate, gloss finished caps are plain or lined, matt finished caps are plain or arrowed.

Lined & Plain Nut Covers

For hiding control mounting nuts on smaller knobs, in black, grey, red, yellow, green, blue and ivory.

Multi-Coloured Pointers

Push fit onto base of knob in black, grey, red, yellow, green, blue and ivory.

Indicator Dials

Sectorred, arrowed or numerically scaled in grey, black or transparent.

Shaft Diameters

1/8" as standard for 10mm bodies, 1/4" standard for all other sizes plus 3, 4 and 6mm to special order.

Our prices won't make your eyes water

Zaerix Electronics Limited

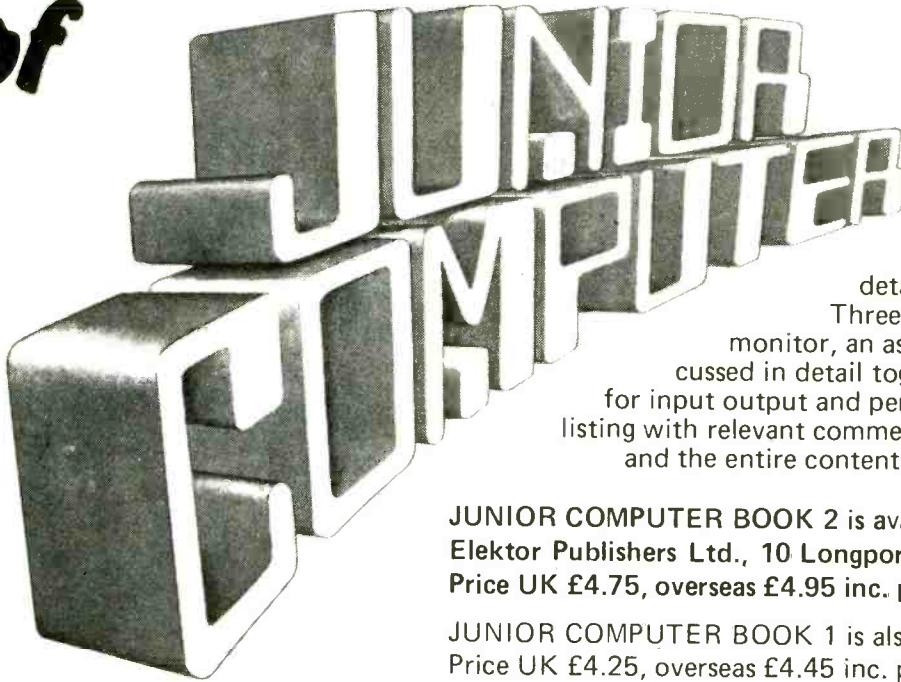
46 Westbourne Grove, London W2 5SF, England

Tel: 01-221 3642 Telex: 261306

WW - 069 FOR FURTHER DETAILS

new from Elektor— BOOK 2

of



**price
£4.75**

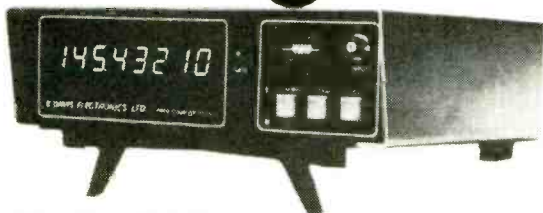
This, the second in the Junior Computer Book series, follows in a logical continuation of Book 1 and is an indispensable aid to users of the Junior Computer. The book contains a detailed appraisal of the software. Three major programming tools, the monitor, an assembler and an editor, are discussed in detail together with practical proposals for input output and peripherals. The complete source listing with relevant comments for all described programs, and the entire contents of the EPROM, are included.

JUNIOR COMPUTER BOOK 2 is available now from:
Elektor Publishers Ltd., 10 Longport, Canterbury, Kent CT1 1PE.
Price UK £4.75, overseas £4.95 inc. postage and packing.

JUNIOR COMPUTER BOOK 1 is also available —
Price UK £4.25, overseas £4.45 inc. postage and packing.

WW-053 FOR FURTHER DETAILS

Counter Intelligence



Only £129.95 plus VAT

High precision, performance, reliability at a very low price. The HFC 60 high frequency counter is based on the very latest LSI technology.

- Bright 8 digit 0.5" LED display.
- Mains input for normal use.
- DC power input, 9-16 volts, for mobile use.
- Tough anodised metal case, neat tilt legs.
- Model HFC 60 - £129.95 plus VAT (60 Mhz).
- Model HFC 600 with high gain X10 UHF pre-scaler extends operation to full 600 Mhz - £159.95 plus VAT.
- Proportional temperature controlled crystal oven available for both models. Supplied fitted or as easy 'add on' £30 extra plus VAT.

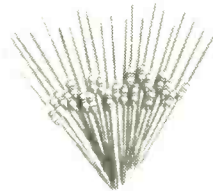
Get full details on these and our other models now. Why pay more?



DRALLIM DAVIS ELECTRONICS LTD
Brett Drive, Bexhill-on-Sea, East Sussex TN40 2JR Telephone (0424) 216611 Telex 95285

WW-029 FOR FURTHER DETAILS

METALFILM RESISTORS 1% Tolerance, 1/4 Watt



ONLY 3p EACH

Minimum order £10
Minimum 5 pcs per value
89 Values (E24)

100R	1k	10k	100k
110R	1k1	11k	110k
120R	1k2	12k	120k
130R	1k3	13k	130k
150R	1k5	15k	150k
160R	1k6	16k	160k
180R	1k8	18k	180k
200R	2k	20k	200k
220R	2k2	22k	220k
240R	2k4	24k	240k
270R	2k7	27k	270k
300R	3k	30k	—
330R	3k3	33k	330k
360R	3k6	36k	—
390R	3k9	39k	—
430R	4k3	43k	—
470R	4k7	47k	470k
510R	5k1	51k	—
560R	5k6	56k	560k
620R	6k2	62k	—
680R	6k8	68k	680k
750R	7k5	75k	—
820R	8k2	82k	820k
910R	9k1	91k	1M

Special Offer: 5 PCS of EACH (445 RESISTORS) ONLY £11.50.
High Quality High Stability. Huge Strength.
VAT inclusive. Add £1.00 p&p all areas.

ORION SCIENTIFIC PRODUCTS LTD.
10 Wardour St., London W1

TV TUBE REBUILDING

Faircrest Engineering Ltd manufacture a comprehensive range of equipment for processing all types of picture tubes, colour and mono. Standard or custom built units for established or new businesses. We export world-wide and have an excellent spares service backed by a strong technical team.

Full training courses are individually tailored to customers' requirements.

For full details of our service contact Neil Jupp

FAIRCREST ENGINEERING LTD.

Willis Road, Croydon, CRO2XX
01-684 1422/01-684 0246

WW-042 FOR FURTHER DETAILS

- ORDER BY POST OR TELEPHONE WITH BARCLAYCARD/ACCESS
- ELECTRONIC TEST EQUIPMENT SPECIALISTS
- ALL PRICES INCLUDE VAT

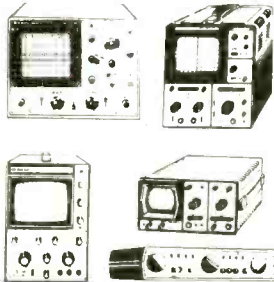
AUDIO ELECTRONICS

- ALL MODELS ON DISPLAY
- RETAIL - MAIL ORDER - EXPORT - INDUSTRIAL
- OPEN SIX DAYS A WEEK
- CALL IN AND SEE FOR YOURSELF

SCOPES

A range of Scopes in stock from 5mHZ Single Trace to 50mHZ Dualtrace Mains and Battery/Mains portables. Many on demonstration

ALL PRICES INCLUDE VAT



SINGLE TRACE

- (UK c/p etc £2.50)
- Hm 307-3 10mHZ, 5mV, 6 x 7 cm display plus component test £158.78
 - CO1303D 5mHZ, 10mHZ, 7 x 7cm display £115.25
 - SC110 10mHZ Battery portable, 10mV 3.2 x 2.6cm display (Optional case) £158.95
 - £8.86. Nicads £8.63 Mains unit £5.69
 - ★LBO12A 10mHZ 10mV, 5" display £195.00
 - ★CS1559A 10mHZ 10mV, 5" display £232.00
 - ★V151 15mHZ 1mV 5" display £241.50

SAFGAN DUAL TRACE

- C/P UK £2.50
- 10mHZ £194.95, 12mHZ £201.25, 15mHZ £216.20

OPTIONAL PROBES (ALL MODELS)

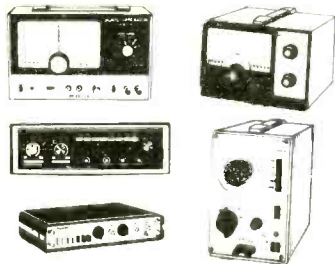
- XI £6.50, X10 £8.50, X100 £12.95, X1-X10 £10.95
- HAMEG ● TRIO ● SINCLAIR ● LEADER ● HITACHI
- ★Note price includes free Probe(s)

DUAL TRACE

- (UK c/p etc £3.50)
- CS1566A 10mHZ, 10mV 5" display £267.00
 - CS1575 5mHZ 1mV 5" multi display £284.00
 - Hm 312-8 20mHZ, 5mV 8x 10cm display £253.00
 - CS1560A II 15mHZ 10mV 5" display £339.00
 - CS1566A 20mHZ, 5mV, 5" display £482.00
 - ★LBO3085 20mHZ, 2mV, 5 x 6.3cm display. Battery/mains. Portable £399.50
 - built-in Nicads £482.00
 - HM412-4 20mHZ, 5mV, 8 x 10cm display plus Sweep Delay £399.50
 - CS1577A 35mHZ, 2mV, 5" display £478.00
 - CS1830 30mHZ, 2mV, 5" display plus sweep delay and delay line - new model £569.00
 - Hm 512-8 50mHZ, 5mV, 10 x 8cm display. Delay Sweep £667.00
 - ★LBO514 10mHZ, 1mV, (5mV) 5" display £294.00
 - ★V152 15mHZ, 1mV, 5" display £326.00
 - ★V302 30mHZ, 1mV, 5" display £447.35
 - ★V550 50mHZ, 1mV, 10 x 8cm Delay sweep + 3 channel display £799.25

GENERATORS

(UK c/p £1.75)
A range of Signal Generators to cover Audio, RF and Pulsing. Mains operated.



LEADER ● TRIO ● NEWTRONICS ● LEVELL

RF

- SG402 100 KHZ 30mHZ with AM modulation £68.00
- LSG16 100KHZ (300mHZ on Harmonics) £63.25
- LSG231 100m HZ 1mHZ (adjustable) FM stereo generator, pilot and mod £195.00

PULSE

- 2001 1HZ 100KHZ (function) £89.70
- TG105 5HZ 5mHZ £92.50
- 4001 0.5HZ 5mHZ £109.25
- 200P 0.00 2HZ 5.5mHZ £253.00
- 200SPC as 200P plus built-in freq. display/100mHZ counter. £437.00
- TG100 (Function 100KHZ) £90.85

AUDIO

- (All sine/square)
- AG202A 20HZ - 200KHZ £69.00
 - LAG26 20HZ - 200KHZ £73.60
 - AG203 10HZ - 1mHZ sine/sq £126.50
 - LAG120A 10HZ - 1mHZ £146.00

'PRO' MULTIMETERS

- (UK c/p £1.20)
- M1200 100K/Volt 30 range plus AC/DC 15 amp £67.00
 - K1400 20K/Volt 23 range large scale £79.95
 - M1500 20K/Volt 42 range plus AC/DC 10 amp £53.50
 - K200 38 range FET 10m OHM input 20Hz to 30MHz multimeter £95.00

LOGIC PROBES/MONITORS

- Logic probes indicating high/low, etc., states that scopes can miss. All circuit powered for all ICs.
- LP3 50 MHz logic probe £55.95
 - LP1 10 MHz logic probe £35.50
 - LP2 1 1/2 MHz logic probe £19.95
 - L1 Logic monitor £33.00
 - LDP076 50 MHz logic probe with case £51.00

Also in stock range of Protoboard kits and breadboards.

SWR/FS AND POWER METERS



Range in stock covering up to 150mHZ and up to 1K watt power PL259 sockets. Also 25 mHZ Grid Dipmeter SWR9 I/C SWR/FS 3-150mHZ £9.50

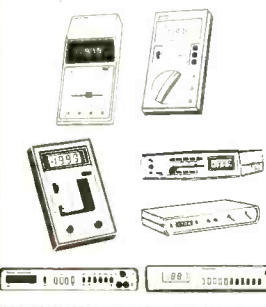
- SWR50 SWR/Power meter, 3 1/2-150mHZ 0-1000 watts £13.95
- 110 SWR/Power 1 1/2-144mHZ 0/10/100 watts £11.50
- 171 As 110 Twin meter plus E/S £14.50

Plus large range of BNC/PL259/ etc leads plus adaptors/connectors always in stock.

- 176 SWR/Power/FS 1 1/2-144mHZ 5-50 watt Plus 25-40mHZ ac match £16.60
- KDM6 Gnd Dip 1 1/2-250mHZ £38.50

DIGITAL MULTIMETERS

A range of LED and LCD Bench and Hand DMMs battery operated with optional Mains Adaptors, some with optional Nicads. All supplied with batteries and leads.



HAND HELD

- (UK post etc 85p)
- GL35C 3 1/2 Digit LCD in AC/DC with case £37.50
 - TM352 3 1/2 Digit LCD plus 10A DC and Hfe checker £54.95
 - ME502 3 1/2 Digit LED plus 10A DC and Hfe checker £43.95
 - LM2001 3 1/2 Digit LCD 2 amp AC/DC 0.1% £51.70
 - 6200 3 1/2 Digit LCD 0.2A AC/DC. Auto range £45.95
 - 6220 As 6200 plus 10A AC/DC £55.95
 - 6100 As 6200 plus Cont. test/range hold £69.95
 - 6110 As 6100 plus 10A AC/DC £85.95
 - TM354 3 1/2 Digit LCD 2A DC £45.95

BENCH PORTABLES

- (UK c/p £1)
- DM235 3 1/2 Digit LED 21 ranges, 0.5% AC/DC 2A £60.38
 - DM350 3 1/2 Digit LED 34 ranges AC/DC 10A £83.38
 - TM353 3 1/2 Digit LCD AC/DC 2 amp £96.60
 - TM351 3 1/2 Digit LCD AC/DC 10 amp £113.85
 - LM100 3 1/2 Digit LCD AC/DC 2 amp £86.50
 - DM450 4 1/2 Digit LED 34 ranges AC/DC 10 amp £113.85
 - (DM series options. Carry case £8.86 Ni-cads £8.63 Mains adaptor £5.69)
 - 1503 4 1/2 Digit LCD 28 range AC/DC 10 amp includes mains adaptor £159.95

MULTIMETERS



- (UK c/p 75p)
- KRT101 1K/Volt 10 range pocket £4.60
 - ATM1/LT1 1K/Volt 12 range pocket £5.98
 - NH55 2K/Volt 10 range pocket £6.50
 - ATI 2K/Volt 12 range pocket de luxe £7.75
 - TMK500 30K/V 23 range + 12ADC + conts £22.75
 - YN360TR 20K/Volt 19 range pocket plus hfe test £13.50
 - AT1020 20K/Volt 19 range d/I plus hfe test £16.95
 - 7081 50K/Volt 36 range plus 10 amp DC £20.80
 - TR303TR 20K/Volt plus 12A DC plus hfe test £15.95
 - AT20 20K/Volt 21 range de luxe plus 10A DC and 5KV DC £21.95
 - AT205 50K/Volt 21 range d/I plus 10A DC £24.95
 - 7080 20K/Volt 26 range large scale, 10A DC plus 5KV AC/DC £26.95
 - AT2050 50K/Volt 18 range d/I plus hfe test £28.50
 - AT210 100K/Volt 23 range d/I 12A AC/DC £29.95
 - 360TR 100K/Volt 23 range plus hfe checker and AC/DC 10 amps £34.95
 - KRT 500 1 50K/V range doubler 1VADC £16.50
 - ETC 500 0 As above with coloured scales £17.95

CHOOSE FROM UK'S LARGEST SELECTION

TV GENERATORS

- LCG-393V PAL 8VHF 6 patts £143.75
- LCG-392U £228.85
- PAL B UHF 15 patts £18.40
- LHM 80A 40KV HT metre 90p
- C/P

FREQUENCY COUNTERS

Portable and Bench LCD and LED Counter's up to 600mHZ. Prices include batteries and leads.



HAND HELD

- (UK post etc 85p)
- PFM200 20HZ to 200mHZ 8 Digit LED £57.27
 - MAX50 100HZ to 50mHZ 6 Digit LED £56.35
 - MAX550 30KHZ to 550mHZ 6 Digit LED £97.00



BENCH PORTABLES

- (UK c/p £1)
- MAX100 8 Digit LED 5HZ to 100mHZ £89.00
 - TF200 8 Digit LCD 10HZ to 200mHZ £166.75
 - 7010A 9 Digit LED 10HZ to 600mHZ £169.00
 - TP600 600mHZ Pre-Scaler for TF200 £43.13
 - 200SPC 6 Digit 100MHZ LED built into 0.002HZ to 5.5 MHZ Pulse Generator £437.00
 - TF040 8 Digit LCD 20MHZ £126.50

CSC ● SINCLAIR ● OPTOELECTRONICS ● NEWTRONICS

CLAMP METERS/ INSULATION TESTERS

(All multirange except K2303)



- K2303 30 AMPS 500 VAC £21.95
 - 3101 300 AMPS 600VAC 1K OHM £32.95
 - K2803 300 AMPS 600VAC 2K OHM £53.95
 - K2903 900 AMPS 750 VAC 2K OHM £77.95
 - K3103 Transistorised insulation/continuity tester. 100 MEG. 600 VAC 0/2 1/2 K £95.00
 - M500 Insulation tester 100 MEG. 500 VOLT. 0/200 OHMS continuity £67.50
- Also digital and DC types in stock

Stockists of electronic equipment, speakers/kits, PA equipment plus huge range of accessories ● UK carriage/packing as indicated ● Export - prices on request ● All prices correct at 1.4.81 E & OE ● All prices include VAT

AUDIO ELECTRONICS

Cubagate Limited OPEN SIX DAYS A WEEK

301 EDGWARE ROAD, LONDON, W2 1BN, ENGLAND. TELEPHONE 01-724 3564 ALSO AT HENRYS RADIO, 404/406 EDGWARE ROAD, LONDON W2 1ED



FREE CATALOGUE!

Send large SAE (20p UK) Schools, Companies, etc. free on request.

FAST ERECTING CLARK MASTS

Here is the expertise
you can depend on ~

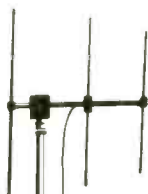
25
years in this
specialist
field

When you choose a mast from the comprehensive Clark range you are assured of a high standard of Engineering and operational reliability.

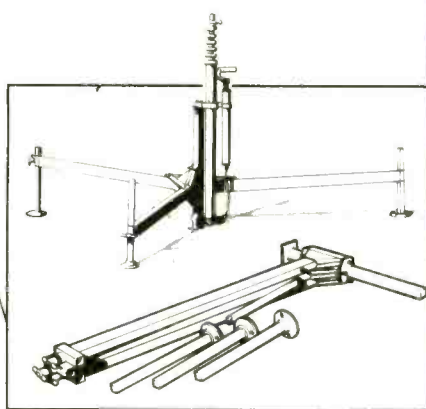
Why compromise?

Extended heights 4 metres-30 metres, capable of lifting headload 1 kg-200 kgs.

Sectional or telescopic air operated for field or vehicle mounting. Write or phone us for details today.



Clark Q.T.4M/HP mast shown on tripod, extended to 4 metres and tripod folded for transit. Available in heights up to 12 metres. This mast is ideal for raising light-weight antennas for field or vehicle mounting.



CLARK MASTS LTD.

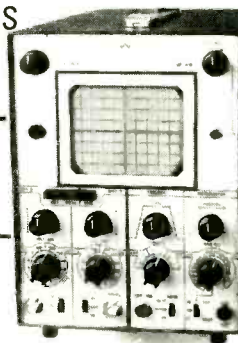
Binstead,
Isle of Wight,
PO33 3PA, England.
Telephone: Ryde (0983) 63691, Telex: 86686.



WW - 006 FOR FURTHER DETAILS

SAFGAN DT-4000 SERIES

DUAL TRACE OSCILLOSCOPES
NEW BRITISH PRODUCTS
FROM £169 + VAT



ALL MODELS

- DUAL TRACE
 - 5mv/div
 - 4" CRT
- DT400 SERIES

MODELS

- DT-410 10MHz £169+VAT
- DT-412 12MHz £175+VAT
- DT-415 15MHz £188+VAT

SPECIFICATION FOR ALL MODELS

- ★ CH1, CH2: 5mv/div - 20V/div in 12 cal steps.
- ★ Bandwidth: 10MHz (DT-410), 12MHz (DT-412), 15MHz (DT-415).
- ★ Time Base: 0.5µs div - 200ms/div in 18 cal steps
x 5 expansion to 100ns/div.
x 5 multiplier to 1s/div.
- ★ XY facility: matched X=CH1, Y=CH2.
- ★ Trigger: Level Control, ± slope selection.
Bright Line Auto, Normal, TV Triggering
CH1, CH2 0.5div; 100mv External Source.
- ★ Z modulation.
- ★ CAL o/p for probe compensation.
- ★ Graticule blue ruled 8x10div (6.4x8cm²).
- ★ Size H 215mm, W 165mm, D 280mm, Weight 4.5kg.

PROBE (X1 - REF - X10) £11.50+VAT

ORDERS TO: **SAFGAN ELECTRONICS LTD.**

**56 BISHOPS WOOD, ST. JOHNS, WOKING
SURREY GU21 3QB. Tel: Woking
69560 or Woking 66836**



GOODS - p&p £3.50 or parcel service £6.50+15%

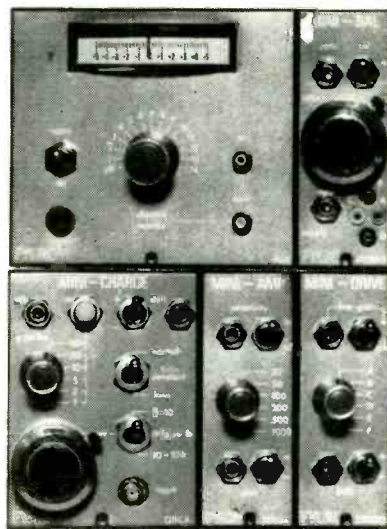
LONDON STOCKIST: **AUDIO ELECTRONICS. TEL: 01-724 3564**

DT-400s are designed and manufactured by SAFGAN in England

WW - 056 FOR FURTHER DETAILS

FYLDE

TRANSDUCER and RECORDER
AMPLIFIERS and SYSTEMS



reliable high performance & practical controls. individually powered modules—mains or dc option single cases and up to 17 modules in standard 19" crates small size—low weight—realistic prices.

FYLDE

Fylde
Electronic
Laboratories
Limited.

49/51 Fylde Road Preston
PR1 2XQ
Telephone 0772 57560

WW - 039 FOR FURTHER DETAILS

SWITCHCRAFT INC. **XLR CONNECTORS**

Line Female A3F.....	£1.07	Chassis Female D3F.....	£1.34
Line Male A3M.....	£0.93	Chassis Male D3M.....	£0.77

4, 5 and 6 pin versions and large selection audio adaptors available

NEUTRIK **XLR CONNECTORS**

Latchless Chassis NC3-FZ.....	£0.67	Latchless Chassis Male NC3-MZ.....	£0.59
Line Female NC3-SC.....	£1.34	Line Male NC3-MC.....	£1.15

XLR LNE MAIN SERIES

XLR LNE 11C.....	£3.87	XLR LNE 12C.....	£3.76
XLR LNE 32.....	£2.89	XLR LNE 31.....	£4.14

BELCLERE AUDIO TRANSFORMERS

EN6422 Ratio + 1.2 + 2. Freq. 40Hz-35KHz. PRI 150/6000. sec. 600/2.4K1.....	£3.30
EN6423 Ratio 1 + 1.6.45 + 6.45. Freq. 40Hz-25KHz. PRI 150/6000. sec. 6.25K/25K1.....	£3.30
SKT-723 MuMetal Screening can, 39dB reduction 50Hz ext. field.....	£1.05

Trade enquiries welcome; quantity discounts available. All prices subject to V.A.T. Call, write or phone. Min. order £10. Please add £1 postage. Access, Amex, Barclaycard.

KELSEY ACOUSTICS LTD.
28 POWIS TERRACE, LONDON W11 1JH
01-727 1046

Buy it with Access

BARCLAYCARD

WW - 071 FOR FURTHER DETAILS

exciting
The new name in Linear I/Cs

Analog Systems, the fast growing linear I/C company of Arizona whose products are available from Pascall, offer a wide range of high performance linear integrated circuits.

Second source linear IC's

- MA 00357 equivalent to LF 357
- MA 00087/8 equivalent to TL 08-087/-088
- MA 00017 equivalent to OP-17 and LF 357A
- MA 00318 equivalent to LM 318; HA 2500; NE 530 series

ANALOG SYSTEMS

Pascall

Send for full product listings of Analog Systems exciting product range

Pascall Electronics Limited,
Hawke House, Green Street,
Sunbury-on-Thames,
Middlesex TW16 6RA
Telephone: (09327) 87418 Telex: 8814536
Def Stan 05-31/BS9000/CECC approved
WW-052 FOR FURTHER DETAILS

Memories **8085 & Z80**

8 x 4116, 250ns.....	£10.00	8085A.....	£6.80
2708.....	£3.50	8085A-2.....	£8.50
2716.....	£3.80	8155.....	£9.95
2532/2732.....	£9.30	8155-2.....	£11.81
2114L, ceramic, 200ns.....	£2.99	8251A.....	£5.60
2112A, 450ns.....	£2.25	8253-5.....	£8.95
6116L 200ns.....	£28.15	8255A-5.....	£4.99
(2K x 8 CMOS RAM, I data hold=50µA)		8257-5.....	£10.40
8264-20, 200ns, 64K RAM.....	*£25.00	8259-5.....	£7.20
CRT Controller, µPD 3301.....	*£39.95	8279-5.....	£9.99
Floppy disc controller, µPD765.....	*£24.50	Z80.....	£6.25

*Please telephone for stock situation.
Crystals - 5, 6 and 10 MHz..... each £3.00
Quality discounts available on 10+ of one device.

We can quote for any Japanese component. Full range of micros available - 8048, 8049, 8021, 8022, 6800 series.
Please add P. & P 30p to orders under £25. Add VAT to total

BDS Microsystem Designs Ltd.
28 Pinewood Close, St. Albans, Herts. AL4 0DS
Telephone: St. Albans (0727) 31831

A PROFESSIONAL TOOLCASE FOR UNDER £40



Designed for the professional Electronics, T.V or Instrument Technician who needs to carry a large number of specialist tools.

The TL99 sets a standard as a low cost alternative to more expensive cases. It offers strength with a practical use of space and many other features.

Order Form

Teleman Products Ltd
Ermine House, Post St, Godmanchester, Cambs. PE18 8BA (0480) 65534

Please send TL99 Professional Toolcases at £39.90 each.
also available TL100 Professional Toolcases at £43.70 each.
Both inc VAT (P&P £2.60 extra)

Enclosed my cheque for £
Name
Company
Address

Features

- 2 sided Reversible Multi-purpose tool pallet
- Document area
- 90° opening lock back stays
- 3" deep ABS lid and base
- Twin handles with 8 fixing points on aluminium frames
- Burst proof toggle locks with keys
- Moulded adjustable tray in base
- Heat sink for hot soldering iron

Dimensions TL 99 17" x 12" x 6" split (shown)
also available TL100 19" x 14" x 6" split

Tools NOT included. British made.
Money back guarantee. Allow 7-21 days for delivery.

PM COMPONENTS LTD. VALVE & COMPONENTS SPECIALISTS

CONINGSBY HOUSE, WROTHAM ROAD, MEOPHAM, KENT. TEL. 0474 813225

SEMICONDUCTORS		NEW BRANDED VALVES		I.C.s		DIODES			
AC126 0.22	BC108A 0.10	BC183L 0.09	BD116 0.52	BF178 0.26	BF459 0.36	BU500 1.75	SN76550N 1.05	TBA810AS 1.35	
AC127 0.22	BC108C 0.10	BC184LA 0.09	BD124 0.56	BF179 0.34	BF472 0.28	MJE340 0.40	SN7666N 0.60	TBA920 1.65	
AC128 0.28	BC109B 0.10	BC208 0.13	BD131 0.32	BF180 0.29	BF473 0.27	MC1307 1.00	SN7666N 0.70	TBA920Q 1.65	AA119 0.07
AC141K 0.34	BC114 0.12	BC212 0.09	BD132 0.35	BF181 0.29	BFX29 0.30	MC1327 1.00	TAAS50 0.28	TBA950 2.35	BA102 0.17
AC142K 0.30	BC116A 0.10	BC212L 0.09	BD133 0.40	BF182 0.29	BFX84 0.26	MC1349 1.00	TAA661B 1.20	TBA990 1.49	BA107 0.13
AC176 0.22	BC140 0.31	BC213 0.09	BD135 0.30	BF183 0.29	BFX85 0.28	MC1350 1.00	TAAT700 1.70	TBA990Q 1.49	BA115 0.15
AC176K 0.31	BC141 0.25	BC214 0.09	BD136 0.30	BF184 0.28	BFX86 0.25	MC1351 1.00	TB641 B11 1.90	TCA2700 1.10	BA156 0.15
AC187 0.26	BC142 0.21	BC214A 0.09	BD137 0.28	BF185 0.28	BFY93 0.21	MC1352 1.00	TBA120B 0.70	TCA800 2.15	BAX16 0.04
AC187K 0.28	BC143 0.24	BC214L 0.09	BD138 0.30	BF194 0.11	BFY50 0.21	MC1352 1.00	TBA120S 0.70	TCA940 1.65	BB105B 0.30
AC188 0.22	BC147 0.09	BC237 0.09	BD139 0.32	BF195 0.11	BFY51 0.21	MC1352 1.00	TBA120SA 0.70	TDA440 2.95	BY126 0.10
AD149 0.70	BC148 0.09	BC238 0.09	BD140 0.30	BF196 0.11	BFY52 0.25	MC1352 1.00	TBA120SB 0.70	TDA1004A 1.85	BY127 0.11
AD161 0.39	BC149 0.09	BC238 0.09	BD141 0.30	BF197 0.11	BFY90 0.77	MC1352 1.00	TBA120SC 0.70	TDA1170 1.95	BY174 0.45
AD161/2 1.04	BC157 0.10	BC251A 0.12	BD144 1.20	BF198 0.10	BR100 0.19	MC1352 1.00	TBA120SD 0.70	TDA1190 2.15	CA90 0.05
AD162 0.39	BC158 0.09	BC252A 0.15	BD182 0.70	BF198 0.10	BR101 0.30	MC1352 1.00	TBA120SE 0.70	TDA1321 1.70	IN914 0.03
AF124 0.34	BC159 0.09	BC255A 0.39	BD201 0.83	BF199 0.14	BR101 0.30	MC1352 1.00	TBA120SF 0.70	TDA1327 1.95	IN914 0.03
AF125 0.32	BC160 0.28	BC303 0.26	BD203 0.78	BF200 0.30	BR101 0.30	MC1352 1.00	TBA120SG 0.70	TDA2030 2.80	IN4001 0.04
AF126 0.32	BC161 0.28	BC307 0.09	BD204 0.70	BF241 0.15	BR101 0.30	MC1352 1.00	TBA120SH 0.70	TDA2522 2.40	IN4003 0.04
AF127 0.32	BC170B 0.08	BC327 0.10	BD222 0.46	BF257 0.28	BT108 1.22	MC1352 1.00	TBA120SI 0.70	TDA2530 1.95	IN4003 0.04
AF139 0.42	BC171 0.08	BC337 0.10	BD225 0.46	BF258 0.25	BT116 1.20	MC1352 1.00	TBA120SII 0.70	TDA2532 2.40	IN4003 0.04
AF150 0.42	BC171A 0.10	BC338 0.09	BD237 0.30	BF259 0.26	BU105 1.69	MC1352 1.00	TBA120SIII 0.70	TDA2540 2.15	IN4005 0.05
AF239 0.42	BC172 0.09	BC338 0.09	BD238 0.33	BF273 0.13	BU106 1.00	MC1352 1.00	TBA120SIV 0.70	TDA2541 2.15	IN4006 0.05
AU110 2.00	BC172C 0.10	BC338 0.09	BD239 0.30	BF273 0.13	BU106 1.00	MC1352 1.00	TBA120SV 0.70	TDA2550 2.15	IN4007 0.06
AU113 1.48	BC173B 0.10	BC338 0.09	BD240 0.70	BF273 0.13	BU106 1.00	MC1352 1.00	TBA120SW 0.70	TDA2552 2.40	IN4007 0.06
BC107 1.01	BC174A 0.09	BC338 0.09	BD410 0.25	BF326 0.34	BU124 0.26	MC1352 1.00	TBA120T 0.70	TDA2552 2.40	IN4007 0.06
BC107B 0.10	BC182 0.09	BC338 0.09	BD410 0.25	BF326 0.34	BU124 0.26	MC1352 1.00	TBA120U 0.70	TDA2552 2.40	IN4007 0.06
BC107B 0.10	BC182 0.09	BC338 0.09	BD410 0.25	BF326 0.34	BU124 0.26	MC1352 1.00	TBA120V 0.70	TDA2552 2.40	IN4007 0.06
BC107B 0.10	BC182 0.09	BC338 0.09	BD410 0.25	BF326 0.34	BU124 0.26	MC1352 1.00	TBA120W 0.70	TDA2552 2.40	IN4007 0.06
BC107B 0.10	BC182 0.09	BC338 0.09	BD410 0.25	BF326 0.34	BU124 0.26	MC1352 1.00	TBA120X 0.70	TDA2552 2.40	IN4007 0.06
BC107B 0.10	BC182 0.09	BC338 0.09	BD410 0.25	BF326 0.34	BU124 0.26	MC1352 1.00	TBA120Y 0.70	TDA2552 2.40	IN4007 0.06
BC107B 0.10	BC182 0.09	BC338 0.09	BD410 0.25	BF326 0.34	BU124 0.26	MC1352 1.00	TBA120Z 0.70	TDA2552 2.40	IN4007 0.06
BC107B 0.10	BC182 0.09	BC338 0.09	BD410 0.25	BF326 0.34	BU124 0.26	MC1352 1.00	TBA120AA 0.70	TDA2552 2.40	IN4007 0.06
BC107B 0.10	BC182 0.09	BC338 0.09	BD410 0.25	BF326 0.34	BU124 0.26	MC1352 1.00	TBA120AB 0.70	TDA2552 2.40	IN4007 0.06
BC107B 0.10	BC182 0.09	BC338 0.09	BD410 0.25	BF326 0.34	BU124 0.26	MC1352 1.00	TBA120AC 0.70	TDA2552 2.40	IN4007 0.06
BC107B 0.10	BC182 0.09	BC338 0.09	BD410 0.25	BF326 0.34	BU124 0.26	MC1352 1.00	TBA120AD 0.70	TDA2552 2.40	IN4007 0.06
BC107B 0.10	BC182 0.09	BC338 0.09	BD410 0.25	BF326 0.34	BU124 0.26	MC1352 1.00	TBA120AE 0.70	TDA2552 2.40	IN4007 0.06
BC107B 0.10	BC182 0.09	BC338 0.09	BD410 0.25	BF326 0.34	BU124 0.26	MC1352 1.00	TBA120AF 0.70	TDA2552 2.40	IN4007 0.06
BC107B 0.10	BC182 0.09	BC338 0.09	BD410 0.25	BF326 0.34	BU124 0.26	MC1352 1.00	TBA120AG 0.70	TDA2552 2.40	IN4007 0.06
BC107B 0.10	BC182 0.09	BC338 0.09	BD410 0.25	BF326 0.34	BU124 0.26	MC1352 1.00	TBA120AH 0.70	TDA2552 2.40	IN4007 0.06
BC107B 0.10	BC182 0.09	BC338 0.09	BD410 0.25	BF326 0.34	BU124 0.26	MC1352 1.00	TBA120AI 0.70	TDA2552 2.40	IN4007 0.06
BC107B 0.10	BC182 0.09	BC338 0.09	BD410 0.25	BF326 0.34	BU124 0.26	MC1352 1.00	TBA120AJ 0.70	TDA2552 2.40	IN4007 0.06
BC107B 0.10	BC182 0.09	BC338 0.09	BD410 0.25	BF326 0.34	BU124 0.26	MC1352 1.00	TBA120AK 0.70	TDA2552 2.40	IN4007 0.06
BC107B 0.10	BC182 0.09	BC338 0.09	BD410 0.25	BF326 0.34	BU124 0.26	MC1352 1.00	TBA120AL 0.70	TDA2552 2.40	IN4007 0.06
BC107B 0.10	BC182 0.09	BC338 0.09	BD410 0.25	BF326 0.34	BU124 0.26	MC1352 1.00	TBA120AM 0.70	TDA2552 2.40	IN4007 0.06
BC107B 0.10	BC182 0.09	BC338 0.09	BD410 0.25	BF326 0.34	BU124 0.26	MC1352 1.00	TBA120AN 0.70	TDA2552 2.40	IN4007 0.06
BC107B 0.10	BC182 0.09	BC338 0.09	BD410 0.25	BF326 0.34	BU124 0.26	MC1352 1.00	TBA120AO 0.70	TDA2552 2.40	IN4007 0.06
BC107B 0.10	BC182 0.09	BC338 0.09	BD410 0.25	BF326 0.34	BU124 0.26	MC1352 1.00	TBA120AP 0.70	TDA2552 2.40	IN4007 0.06
BC107B 0.10	BC182 0.09	BC338 0.09	BD410 0.25	BF326 0.34	BU124 0.26	MC1352 1.00	TBA120AQ 0.70	TDA2552 2.40	IN4007 0.06
BC107B 0.10	BC182 0.09	BC338 0.09	BD410 0.25	BF326 0.34	BU124 0.26	MC1352 1.00	TBA120AR 0.70	TDA2552 2.40	IN4007 0.06
BC107B 0.10	BC182 0.09	BC338 0.09	BD410 0.25	BF326 0.34	BU124 0.26	MC1352 1.00	TBA120AS 0.70	TDA2552 2.40	IN4007 0.06
BC107B 0.10	BC182 0.09	BC338 0.09	BD410 0.25	BF326 0.34	BU124 0.26	MC1352 1.00	TBA120AT 0.70	TDA2552 2.40	IN4007 0.06
BC107B 0.10	BC182 0.09	BC338 0.09	BD410 0.25	BF326 0.34	BU124 0.26	MC1352 1.00	TBA120AU 0.70	TDA2552 2.40	IN4007 0.06
BC107B 0.10	BC182 0.09	BC338 0.09	BD410 0.25	BF326 0.34	BU124 0.26	MC1352 1.00	TBA120AV 0.70	TDA2552 2.40	IN4007 0.06
BC107B 0.10	BC182 0.09	BC338 0.09	BD410 0.25	BF326 0.34	BU124 0.26	MC1352 1.00	TBA120AW 0.70	TDA2552 2.40	IN4007 0.06
BC107B 0.10	BC182 0.09	BC338 0.09	BD410 0.25	BF326 0.34	BU124 0.26	MC1352 1.00	TBA120AX 0.70	TDA2552 2.40	IN4007 0.06
BC107B 0.10	BC182 0.09	BC338 0.09	BD410 0.25	BF326 0.34	BU124 0.26	MC1352 1.00	TBA120AY 0.70	TDA2552 2.40	IN4007 0.06
BC107B 0.10	BC182 0.09	BC338 0.09	BD410 0.25	BF326 0.34	BU124 0.26	MC1352 1.00	TBA120AZ 0.70	TDA2552 2.40	IN4007 0.06
BC107B 0.10	BC182 0.09	BC338 0.09	BD410 0.25	BF326 0.34	BU124 0.26	MC1352 1.00	TBA120BA 0.70	TDA2552 2.40	IN4007 0.06
BC107B 0.10	BC182 0.09	BC338 0.09	BD410 0.25	BF326 0.34	BU124 0.26	MC1352 1.00	TBA120BB 0.70	TDA2552 2.40	IN4007 0.06
BC107B 0.10	BC182 0.09	BC338 0.09	BD410 0.25	BF326 0.34	BU124 0.26	MC1352 1.00	TBA120BC 0.70	TDA2552 2.40	IN4007 0.06
BC107B 0.10	BC182 0.09	BC338 0.09	BD410 0.25	BF326 0.34	BU124 0.26	MC1352 1.00	TBA120BD 0.70	TDA2552 2.40	IN4007 0.06
BC107B 0.10	BC182 0.09	BC338 0.09	BD410 0.25	BF326 0.34	BU124 0.26	MC1352 1.00	TBA120BE 0.70	TDA2552 2.40	IN4007 0.06
BC107B 0.10	BC182 0.09	BC338 0.09	BD410 0.25	BF326 0.34	BU124 0.26	MC1352 1.00	TBA120BF 0.70	TDA2552 2.40	IN4007 0.06
BC107B 0.10	BC182 0.09	BC338 0.09	BD410 0.25	BF326 0.34	BU124 0.26	MC1352 1.00	TBA120BG 0.70	TDA2552 2.40	IN4007 0.06
BC107B 0.10	BC182 0.09	BC338 0.09	BD410 0.25	BF326 0.34	BU124 0.26	MC1352 1.00	TBA120BH 0.70	TDA2552 2.40	IN4007 0.06
BC107B 0.10	BC182 0.09	BC338 0.09	BD410 0.25	BF326 0.34	BU124 0.26	MC1352 1.00	TBA120BI 0.70	TDA2552 2.40	IN4007 0.06
BC107B 0.10	BC182 0.09	BC338 0.09	BD410 0.25	BF326 0.34	BU124 0.26	MC1352 1.00	TBA120BJ 0.70	TDA2552 2.40	IN4007 0.06
BC107B 0.10	BC182 0.09	BC338 0.09	BD410 0.25	BF326 0.34	BU124 0.26	MC1352 1.00	TBA120BK 0.70	TDA2552 2.40	IN4007 0.06
BC107B 0.10	BC182 0.09	BC338 0.09	BD410 0.25	BF326 0.34	BU124 0.26	MC1352 1.00	TBA120BL 0.70	TDA2552 2.40	IN4007 0.06
BC107B 0.10	BC182 0.09	BC338 0.09	BD410 0.25	BF326 0.34	BU124 0.26	MC1352 1.00	TBA120BM 0.70	TDA2552 2.40	IN4007 0.06
BC107B 0.10	BC182 0.09	BC338 0.09	BD410 0.25	BF326 0.34	BU124 0.26	MC1352 1.00	TBA120BN 0.70	TDA2552 2.40	IN4007 0.06
BC107B 0.10	BC182 0.09	BC338 0.09	BD410 0.25	BF326 0.34	BU124 0.26	MC1352 1.00	TBA120BO 0.70	TDA2552 2.40	IN4007 0.06
BC107B 0.10	BC182 0.09	BC338 0.09	BD410 0.25	BF326 0.34	BU124 0.26	MC1352 1.00	TBA120BP 0.70	TDA2552 2.40	IN4007 0.06
BC107B 0.10	BC182 0.09	BC338 0.09	BD410 0.25	BF326 0.34	BU124 0.26	MC1352 1.00	TBA120BQ 0.70	TDA2552 2.40	IN4007 0.06
BC107B 0.10	BC182 0.09	BC338 0.09	BD410 0.25	BF326 0.34	BU124 0.26	MC1352 1.00	TBA120BR 0.70	TDA2552 2.40	IN4007 0.06
BC107B 0.10	BC182 0.09	BC338 0.09	BD410 0.25	BF326 0.34	BU124 0.26	MC1352 1.00	TBA120BS 0.70	TDA2552 2	



AMCRON

INDUSTRIAL

MUSCLE



Model — M600

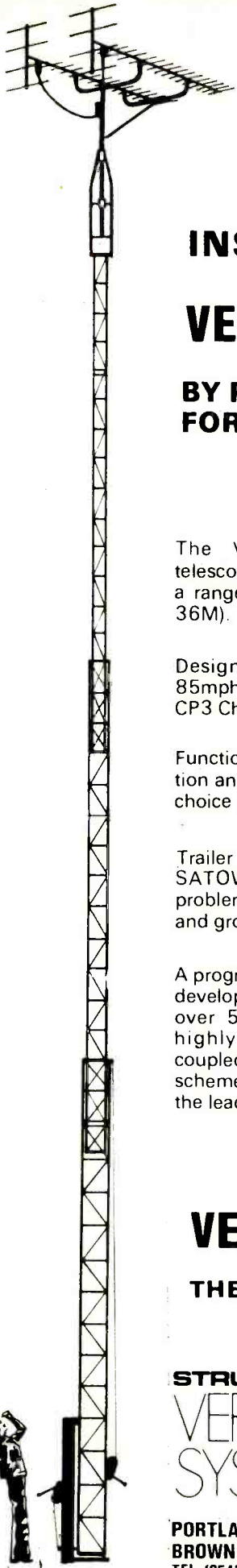
- ★ POWER RESPONSE DC — 20KHz \pm 1dB.
- ★ OUTPUT POWER IN EXCESS OF 1.5kW INTO 2.75 Ohm LOAD (CONTINUOUS R.M.S.).
- ★ D.C. OUTPUT 20 AMPS AT 100 VOLTS OR 2KVa.
- ★ HARMONIC DISTORTION LESS THAN 0.05% DC-20KHz AT 1kW INTO 6 OHMS
- ★ PLUG-IN MODULES: CONSTANT VOLTAGE/CURRENT, PRECISION OSCILLATORS ★ UNIPOLAR AND BIPOLAR DIGITAL INTERFACES, FUNCTION GENERATORS, AND MANY OTHERS.
- ★ OUTPUT MATCHING TRANSFORMERS AVAILABLE TO MATCH VIRTUALLY ANY LOAD.
- ★ FULL OPEN AND SHORT CIRCUIT PROTECTION GUARANTEED STABLE INTO ANY LOAD.
- ★ TWO UNITS MAY BE CONNECTED TO PROVIDE UP TO 4kW.
- ★ INTERLOCK CAPABILITY FOR UP TO EIGHT UNITS.
- ★ 3-YEAR PARTS AND LABOUR WARRANTY.

For full details on all Amcron Products write or phone Chris Flack



Kirkham Electronics

MILL HALL, MILL LANE, PULHAM MARKET, DISS, NORFOLK IP21 4XL
 DIVISION OF K.R.S. LIMITED
 TELEPHONE (037 976) 639/594



INSIST ON VERSATOWER

**BY PROFESSIONALS—
FOR PROFESSIONALS**

The VERSATOWER range of telescopic and tilt-over towers cover a range of 25ft to 120ft (7.5M to 36M).

Designed for Wind Speeds from 85mph to 117mph conforming with CP3 Chapter V, part 11.

Functional design, rugged construction and total versatility make it first choice for telecommunications.

Trailer mounted or static, the VERSATOWER solves those difficult problems of antenna support, access and ground level maintenance.

A programme of continuous product development has led to a range of over 50 models, all available at highly competitive prices. This coupled with our quality assurance scheme ensures that we maintain the leader position we enjoy today.

VERSATOWER

**THE PROFESSIONALS'
CHOICE**

STRUMECH
VERSATOWER
SYSTEM

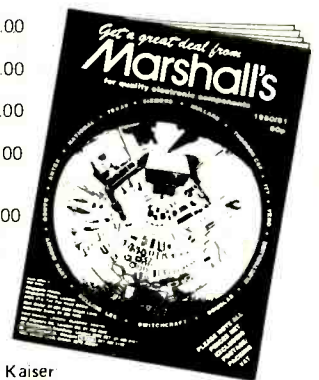
**PORTLAND HOUSE, COPPICE SIDE
BROWNHILLS, WEST MIDLANDS**
TEL: (05433) 4321 TELEX: 335243 SEL

WW-061 FOR FURTHER DETAILS

Get a great deal from Marshall's

The new Marshall's 80/81 catalogue is now available. A veritable treasure house of components, test gear, tools, etc. Specially interesting to the radio amateur are the following Leader instruments available from stock:

Antenna Coupler LAC895 3.5 to 28 MHz	Price: £88.00
Antenna Coupler LAC896 50MHz	Price: £44.00
Antenna Coupler LAC897 144 - 148 MHz	Price: £44.00
TRDIP Meter LDM 815 1.5 MHz to 250 MHz	Price: £45.00
Antenna Impedance Meter LDM 870A 1.8 MHz to 150 MHz	Price: £44.00
RF Power Meter LPM 880 0.5 to 120W	Price: £73.00
SHR/Watt-meter LPM 885 1.0W to 100W	Price: £47.00



Send SAE for details or phone Richard Kaiser
02407 3568 for specialist advice.

Send for our latest
catalogue. Free to industrial
customers, 75p post paid to
private individuals.

A. Marshall (London) Ltd.,
Kingsgate House,
Kingsgate Place,
London NW6 4TA.
Industrial Sales: 01 328 1009
Mail Order: 01 624 8582 24hr service
Retail branches: London; Glasgow; Bristol.

Sowter Transformers

With 40 years' experience in the design and manufacture of several hundred thousand transformers we can supply:

AUDIO FREQUENCY TRANSFORMERS OF EVERY TYPE

YOU NAME IT! WE MAKE IT!

OUR RANGE INCLUDES

Microphone transformers (all types), Microphone Splitter/Combiner transformers, Input and Output transformers, Direct Injection transformers for Guitars, Multi-Secondary output transformers, Bridging transformers, Line transformers, Line transformers to G.P.O. Isolating Test Specification, Tapped impedance matching transformers, Gramophone Pickup transformers, Audio Mixing Desk transformers (all types), Miniature transformers, Microminiature transformers for PCB mounting, Experimental transformers, Ultra low frequency transformers, Ultra linear and other transformers for Transistor and Valve Amplifiers up to 500 watts, Inductive Loop Transformers, Smoothing Chokes, Filter, Inductors, Amplifier to 100 volt line transformers (from a few watts up to 1,000 watts), 100 volt line transformers to speakers, Speaker matching transformers (all powers), Column Loudspeaker transformers up to 300 watts or more.

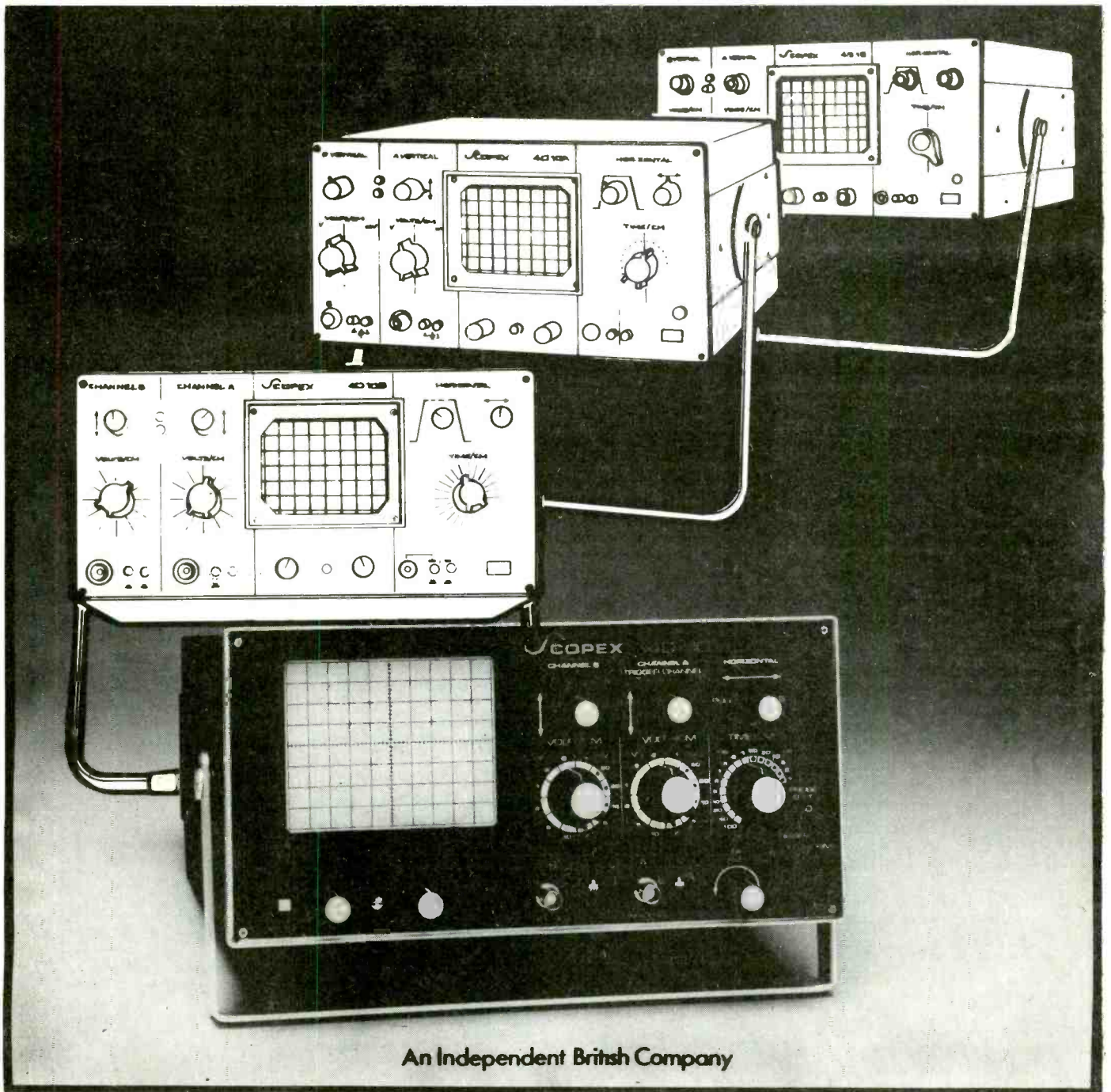
We can design for RECORDING QUALITY, STUDIO QUALITY, HI-FI QUALITY OR P.A. QUALITY. OUR PRICES ARE HIGHLY COMPETITIVE AND WE SUPPLY LARGE OR SMALL QUANTITIES AND EVEN SINGLE TRANSFORMERS. Many standard types are in stock and normal dispatch times are short and sensible. OUR CLIENTS COVER A LARGE NUMBER OF BROADCASTING AUTHORITIES, MIXING DESK MANUFACTURERS, RECORDING STUDIOS, HI-FI ENTHUSIASTS, BAND GROUPS, AND PUBLIC ADDRESS FIRMS. Export is a speciality and we have overseas clients in the COMMONWEALTH, E.E.C., USA, MIDDLE EAST, etc. Send for our questionnaire which, when completed, enables us to post quotations by return.

E. A. Sowter Ltd.

Manufacturers and Designers
E. A. SOWTER LTD. (Established 1941), Reg. No. England 303990
The Boat Yard, Cullingham Road, Ipswich IP1 2EG, Suffolk
P.O. Box 36, Ipswich IP1 2EL, England
Phone: 0473 52794 & 0473 219390

WW-051 FOR FURTHER DETAILS

The New Scopex 14D-10



An Independent British Company

A dual trace 10MHz high sensitivity oscilloscope incorporating all the latest high technology developments to bring you all these outstanding features as standard.

- 10cm x 8cm display.
- 2mV sensitivity on both channels.
- Add and invert facility.
- Probe compensation.
- Push button X-Y.
- Trace locate.
- 10MHZ (-3dB) over full display.
- Complete with probes.

At a price of £240.00 + VAT. Ensures British leadership in the low cost high performance oscilloscope market.

Distributors required in certain countries

SCOPEX

Pixmore Avenue, Letchworth.
Herts SG6 1JJ. Tel: (04626) 72771



I wish to pay by Barclaycard/Trust Card.
Please charge to my account.
My Barclaycard/Trust Card No. is

--	--	--	--	--	--	--	--	--	--	--	--	--	--	--	--	--	--	--	--

Please send me full details of the 14D10.	
Name	_____
Company	_____
Address	_____

	Tel: _____

WW - 033 FOR FURTHER DETAILS

WILMSLOW AUDIO

The firm for Speakers

EVERYTHING IN STOCK FOR THE SPEAKER CONSTRUCTOR!

BAF, LONG FIBRE WOOL, FOAM, CROSSOVERS, FELT PANELS, COMPONENTS, SPEAKER STANDS, BRACKETS, ETC.

LARGE SELECTION OF GRILLE FABRICS

(Send 22p in stamps for grille fabric samples)

HI-FI DRIVE UNITS



AUDAX HD12.9D25	£8.75
AUDAX HD11P25EBC	£7.50
AUDAX HD20825H4	£14.95
AUDAX HD13D34H	£12.95
AUDAX HD24S45C	£21.95
AUDAX WFR15S	£23.95
CHARTWELL CEA205	pair £61.25
COLES 4001	£7.65
COLES 3000	£7.65
COLES 3100	£7.95
COLES CE2000 6 1/2"	£14.95
CELESTION HF1300 II	£12.50
CELESTION HF2000	£13.60
DALESFORD D10 tweeter	£8.45
DALESFORD D10 ferrofluid	£8.95
DALESFORD D30/110	£11.25
DALESFORD D50/153	£12.25
DALESFORD D50/200	£12.25
DALESFORD D100/250	£29.95
DALESFORD D300	£35.75
DECCA London Horn	£79.95
ELAC 6NC204 6 1/2"	£7.50
ELAC 6NC298 8"	£8.95
EMI type 350, 13" x 8", 4 ohm	£9.45
EMI 14A/770, 14" x 9", 8 ohm	£19.50
ISOPHON KK8/8	£8.15
ISOPHON KK10/8	£8.45
JORDAN WATTS Module	£24.95
JORDAN WATTS Module Mk III	£28.50
JORDAN WATTS HF kit	£10.50
JORDAN 50mm Unit	£31.50
JORDAN crossover each	£15.95
KEF T27	£9.45
KEF B110	£12.25
KEF B200	£13.50
KEF B139	£27.75
KEF DN12	£9.40
KEF DN13	£6.75
LOWTHER PM6	£63.00
LOWTHER PM6 Mk I	£67.75
LOWTHER PM7	£99.00
PEERLESS K101DT	£10.95
PEERLESS DT10HFC	£10.50
PEERLESS K040MRF	£13.60
RICHARD ALLAN CGBT	£13.50
RICHARD ALLAN CG12T Super	£29.50
RICHARD ALLAN HPB8	£20.75
RICHARD ALLAN LPB8	£14.50
RICHARD ALLAN HP128	£33.50
RICHARD ALLAN DT20	£9.95
RICHARD ALLAN DT30	£10.75
SEAS H107	£9.95
SEAS H211 ferrofluid	£10.95
SHACKMAN ES units	£136 pair
SHACKMAN ES units with cabs.	£170 pair

PA GROUP & DISCO UNITS



CELESTION G12/50TC	£19.50
CELESTION G12/80CE	£24.50
CELESTION G12/80TC	£23.75
CELESTION G12/125CE	£42.00
CELESTION G15/100CE	£37.95
CELESTION G15/100TC	£38.50
CELESTION G18/200	£64.75
CELESTION Powercel 12/150	£66.00
CELESTION Powercel 15/250	£88.00
FANE CLASSIC 45 12"	£13.95
FANE CLASSIC 55 12"	£15.50
FANE CLASSIC 80 12"	£19.75
FANE CLASSIC 85 15"	£26.00
FANE CLASSIC 150 15"	£37.95
FANE CLASSIC 125 18"	£43.95
FANE CLASSIC 175 18"	£47.95
FANE GUITAR 80L 12"	£26.25
FANE GUITAR 80B/2 12"	£27.25
FANE DISCO 100 12"	£28.75
FANE PA85 12"	£26.75
FANE BASS 100 15"	£39.00
FANE CRESCENDO 12E 12"	£57.50
FANE CRESCENDO 15E 15"	£74.50
FANE CRESCENDO 18E 18"	£94.75
FANE COLOSSUS 15E 15"	£99.95
FANE COLOSSUS 18E 18"	£107.00
FANE J44	£6.90
FANE J73	£10.90
FANE J104	£15.95
FANE J105	£23.95
GAUSS 3181A 10" 150 watts	£115.00
GAUSS 4281 12" 300 watts	£146.00
GAUSS 4581 15" 300 watts	£162.00
GAUSS 4583A 15" 400 watts	£162.00
GAUSS 4882 18" 400 watts	£220.00
GOODMANS 8PA	£5.05
GOODMANS BP12	£22.50
GOODMANS DI12	£25.50
GOODMANS GR12	£24.95
GOODMANS 18P	£48.45
GOODMANS HIFAX 50HX	£21.85
GOODMANS HIFAX 100HX	£24.50
McKENZIE C12100GP	£24.45
McKENZIE C12100TC	£24.45
McKENZIE C12100 bass	£24.45
McKENZIE C12125GP	£39.95
McKENZIE C12125TC	£39.95
McKENZIE GP15	£35.10
McKENZIE TC15	£35.10
McKENZIE C15 bass	£59.60
MOTOROLA PIEZO HORN 3 1/2"	£8.50
MOTOROLA PIEZO HORN 2" x 6"	£12.25
RICHARD ALLAN HDBT	£20.25
RICHARD ALLAN HD10T	£21.75
RICHARD ALLAN HD12T	£29.75
RICHARD ALLAN HD15	£62.75
RICHARD ALLAN HD15P	£52.75
RICHARD ALLAN 15"	£77.00
RICHARD ALLAN 18"	£96.00

WILMSLOW AUDIO



KITS FOR MAGAZINE DESIGNS

Kits include drive units, crossovers, BAF/long fibre wool, etc, for a pair of speakers

Carriage £3.95 unless otherwise stated

Practical Hi Fi & Audio PRO9-TL including felt panels and level controls

£152.75 carriage £5

Hi Fi Answers Monitor

£146.00

Hi Fi News State of the Art

£189.00

Hi Fi News Midline

£91.75

Hi Fi News Miniline

£49.00

Hi Fi News Tabor with J4 bass units

£66.00

Hi Fi News Tabor with H4 bass units

£70.00

Hi Fi for Pleasure Compact Monitor

£116.00

Hi Fi for Pleasure E.C.M. (including felt panels, foam etc)

£77.50 carriage £5

Popular Hi Fi Jordan System 1

£125.00

Popular Hi Fi Mini Monitor

£77.00

Popular Hi Fi Round Sound including complete cabinet kit

£74.00

Practical Hi Fi and Audio BSC3

£65.00

Practical Hi Fi and Audio Monitor

£180.00

Practical Hi Fi and Audio Triangle

£120.00

Practical Hi Fi & Audio DBS4

£85.00 carriage £5

Everyday Electronics EE20

£29.50

Everyday Electronics EE70

£150.00 carriage £5

Wireless World T.L. KEF

£125.00

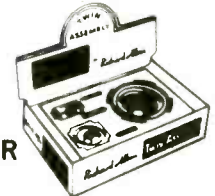
Wireless World T.L. RADFORD

£190.00

Smart badges FREE with all the above kits (to give that professional touch to your DIY speakers). Reprints/construction details of the above designs 10p each.

WILMSLOW AUDIO BA1 sub bass amplifier / crossover kit £37.95 plus £1 carriage

SPEAKER KITS



PRICES PER PAIR CARRIAGE £3.95 UNLESS OTHERWISE STATED

COLES NIMBUS KIT (mounted on baffle)	£69.00
DALESFORD SYSTEM 1	£54.00
DALESFORD SYSTEM 2	£57.00
DALESFORD SYSTEM 3	£104.00
DALESFORD SYSTEM 4	£110.00
DALESFORD SYSTEM 5	£142.00
DALESFORD SYSTEM 6	£95.00
DALESFORD 'D' KIT (including cabinet)	£79.95
KEF Reference 104aB kit	£159.95
KEF Cantata kit	£133.00 plus £5 carriage
LS3 Micro Monitor kit	£199.00 plus £5 carriage
LOWTHER PM6 kit	£76.00
LOWTHER PM6 Mk 1 kit	£132.75
LOWTHER PM7 kit	£139.95
LOWTHER PM7 Mk 1 kit	£139.95
LOWTHER PM7 kit	£199.00
RADFORD Studio 90	£181.00
RADFORD Monitor 180	£243.00
RADFORD Studio 270	£309.00
RADFORD Studio 360	£450.00
RICHARD ALLAN Tango Twin	£55.50
RICHARD ALLAN Maramba	£77.50
RICHARD ALLAN Charisma	£111.00
RICHARD ALLAN Super Triple	£102.50
RICHARD ALLAN Super Saraband II	£159.95
RICHARD ALLAN RA8 kit	£62.75
RICHARD ALLAN RA82 kit	£98.75
RICHARD ALLAN RA82L kit	£108.00
SEAS 223	£42.50
SEAS 253	£67.00
SEAS 403	£79.95
SEAS 603	£134.95
WHARFEDALE DENTON XP2 kit	£31.45
WHARFEDALE SHELTON XP2 kit	£40.40
WHARFEDALE LINTON XP2 kit	£56.20
WHARFEDALE L80 kit	£52.50
WHARFEDALE L80 kit	£72.00
WHARFEDALE L100 kit	£87.00
WHARFEDALE E50 kit	£129.00
WHARFEDALE E70 kit	£160.00
WHARFEDALE E90 kit	£249.50

CARRIAGE & INSURANCE

Tweeters / Crossovers	70p each
Speakers	
4" to 6 1/2"	90p each
8" to 10"	£1.10 each
12", 13" x 8", 14" x 9"	£2.00 each
15"	£3.00 each
18"	£5.00 each
Speaker Kits	£3.95 pair
Mag. Design Kits	£3.95 pair
unless otherwise stated	

ALL PRICES INCLUDE VAT @ 15% and are correct at 1/2/81

SEND 50p FOR 56-PAGE CATALOGUE 'CHOOSING A SPEAKER' (or price list only free of charge) Export Catalogue £1 or \$3 U.S.

SWIFT OF WILMSLOW
The firm for Hi-Fi
5 Swan Street
Wilmslow, Cheshire

Tel. 0625 529599 for speaker drive units, kits, PA equipment, mail order enquiries, and all export enquiries.

Tel: 0625 526213 for Hi-Fi equipment and complete speaker enquiries.

Lightning service on telephoned credit card orders!

WILMSLOW AUDIO
The firm for Speakers

35/39 Church Street
Wilmslow, Cheshire

S-2020TA STEREO TUNER / AMPLIFIER KIT

NEW HIGH PERFORMANCE TUNER

A high-quality push-button FM Varicap Stereo Tuner with pilot cancel decoder combined with a 24W r.m.s. per channel Stereo Amplifier, using Bifet op. amps.

Brief Spec. Amplifier Low field Toroidal transformer. Mag. input. Tape In/Out facility (for noise reduction unit, etc.) THD less than 0.1% at 20W into 8 ohms. **High Slew Rate.** Low noise op. amps used throughout. Power on/off FET transient protection. All sockets, fuses, etc. are PC mounted for ease of assembly. Tuner section uses UM 1181 FET module requiring no RF alignment. ceramic IF. INTERSTATION MUTE and phase-locked IC pilot cancel stereo decoder. LED tuning and stereo indicators. Tuning range 88-108MHz 30dB mono S/N @ 0.7µV THD 0.3%

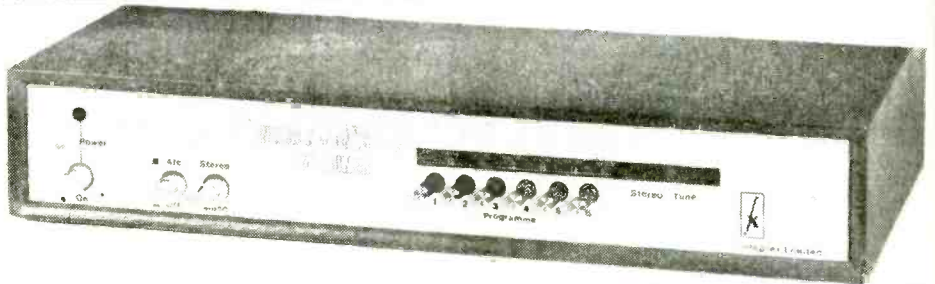
PRICE: £69.95 + VAT



NELSON-JONES Mk. 2 STEREO FM TUNER KIT

A very high performance tuner with dual gate MOSFET RF and Mixer ready built front end, triple gang varicap tuning, linear phase I.F. and 3 state MPX decoder.

PRICE: £74.95 + VAT



NRDC-AMBISONIC UHJ SURROUND SOUND DECODER



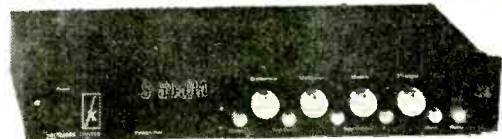
The first ever kit specially produced by Integrex for this British NRDC backed surround sound system which is the result of 7 years' research by the Ambisonic team. W.W. July, Aug. 77. The unit is designed to decode not only UHJ but virtually all other quadrophonic systems (Not CD4), including the new BBC HJ. 10 input selections. The decoder is linear throughout and does not rely on listener fatiguing logic enhancement techniques. Both 2 or 2 input signals and 4 or 6 output signals are provided in this most versatile unit. Complete with mains power supply, wooden cabinet, panel, knobs, etc.

Complete kit including licence fee **£57.70 + VAT** or ready built and tested **£76.95 + VAT**

S5050A STEREO AMP Very high performance kit

50 watts rms/channel. 0.015% THD. S/N 90 dB. Mags/n 80 dB. Output device rating 360w per channel. Tone cancel switch. 2 tape monitor switches. Metal case — comprehensive heatsinks.

Complete kit only **£69.95 + VAT**



(Also available our 20w/ch BIFET S2020 Amp)

INTRUDER 1 Mk. 2 RADAR ALARM

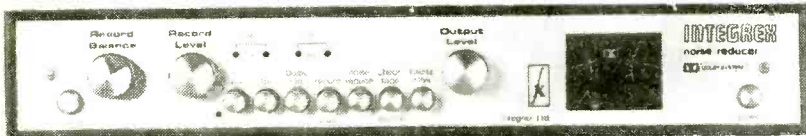
With Home Office Type approval

The original "Wireless World" published Intruder 1 has been re-designed by Integrex to incorporate several new features, along with improved performance. The kit is even easier to build. The internal audible alarm turns off after approximately 40 seconds and the unit re-arms. 240V ac mains or 12V battery operated. Disguised as a hard-backed book. Detection range up to 45 feet. Internal mains rated voltage free contacts for external bells etc.

Complete kit **£52.50** plus VAT, or ready built and tested **£68.50** plus VAT.

Wireless World Dolby noise reducer

Trademark of Dolby Laboratories Inc.



Typical performance

Noise reduction better than 9dB weighted
Clipping level 16.5dB above Dolby level (measured at 1% third harmonic content)
Harmonic distortion 0.1% at Dolby level typically 0.05% over most of band rising to a maximum of 0.12%
Signal-to-noise ratio: 75dB (20Hz to 20kHz signal at Dolby level) at Monitor output
Dynamic range: -90dB
30mV sensitivity

Complete Kit **PRICE: £49.95 + VAT** (3 head model available)

Also available ready built and tested

Calibration tapes are available for open reel use and for cassette (specify which)

Single channel plug-in Dolby PROCESSOR BOARDS (92 x 87mm) with gold plated contacts and all components

Price £67.60 + VAT

Price £2.75 + VAT

Price £10.50 + VAT

We guarantee full after-sales technical and servicing facilities on all our kits. Have you checked that these services are available from other suppliers?



All kits are carriage free

INTEGREX LIMITED

Please send SAE for complete lists and specifications

**Portwood Industrial Estate, Church Gresley,
Burton-on-Trent, Staffs DE11 9PT
Burton-on-Trent (0283) 215432 Telex 377106**

fact: you can choose your microphone to enhance your sound system.

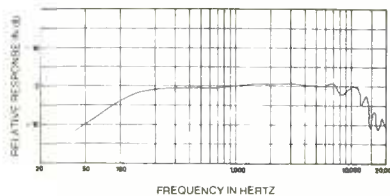
Shure makes microphones for every imaginable use. Like musical instruments, each different type of Shure microphone has a distinctive "sound," or physical characteristic that optimizes it for particular applications, voices, or effects. Take, for example, the Shure SM58 and SM59 microphones:

SM59

**Mellow, smooth,
silent...**

The SM59 is a relatively new, dynamic cardioid microphone. Yet it is already widely accepted for critical studio productions. In fact, you'll see it most often where accurate, natural sound quality is a major consideration. This revolutionary cardioid microphone has an exceptionally flat frequency response and neutral sound that reproduces exactly what it hears. It's designed to give good bass response when miking at a distance. Remarkably rugged—it's built to shrug off rough handling. And, it is superb in rejecting mechanical stand noise such as floor and desk vibrations because of a unique, patented built-in shock mount. It also features a special hum-bucking coil for superior noise reduction!

Some like it essentially flat...

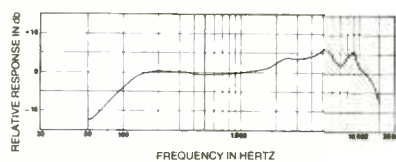


SM58

**Crisp, bright
"abuse proof"**

Probably the most widely used on-stage, hand-held cardioid dynamic microphone. The SM58 dynamic microphone is preferred for its punch in live vocal applications... especially where close-up miking is important. It is THE world-standard professional stage microphone with the distinctive Shure upper mid-range presence peak for an intelligible, lively sound. World-renowned for its ability to withstand the kind of abuse that would destroy many other microphones. Designed to minimize the boominess you'd expect from close miking. Rugged, efficient spherical windscreen eliminates pops. The first choice among rock, pop, R & B, country, gospel, and jazz vocalists.

...some like a "presence" peak.



professional microphones...by



Shure Electronics Limited, Eccleston Road, Maidstone ME 15 6AU—Telephone: Maidstone (0622) 59881

WW - 059 FOR FURTHER DETAILS

wireless world

Band pass

Editor:

TOM IVALL, M.I.E.R.E.

Deputy Editor:

 PHILIP DARRINGTON
01-661 3039

Technical Editor:

 GEOFF SHORTER, B.Sc.
01-661 3500 X3590

Projects Editor:

 MIKE SAGIN
01-661 3500 X3588

Communications Editor:

 MARTIN ECCLES
01-661 3500 X3589

News Editor:

 DAVID SCOBIE
01-3500 3587

Drawing Office Manager:

ROGER GOODMAN

Technical Illustrator:

BETTY PALMER

Advertisement Manager:

 BOB NIBBS, A.C.I.I.
01-661 3130

 DAVID DISLEY
01-661 3500 X3593

 BARBARA MILLER
01-661 3500 X3592

Northern Sales

 HARRY AIKEN
061-872 8861

Midland Sales

 BASIL MCGOWAN
021-356 4838

Classified Manager:

 BRIAN DURRANT
01-661 3106

 JAYNE PALMER
01-661 3033

 BRIAN BANNISTER (*Make-up and copy*)
01-661 3500 X3561

Publishing Director:

GORDON HENDERSON

Most readers will be aware that the Home Secretary has given his assent to the use of personal radio (c.b.) equipment in the UK. The bands to be allotted in the Autumn are around 27MHz and 930MHz, frequency modulation to be used in both.

We congratulate all those concerned with this decision for recognizing that the public has a right to the private use of radio communication, and for choosing a specification that will afford users a tractable frequency (27MHz) while keeping potential interference to a minimum by the use of f.m. It is probably the best that could be hoped for by any thinking person: while 930MHz transceivers would probably be even better from the interference point of view, there has been enough adverse comment on this suggested band to reduce its chances of large-scale adoption. Its possible dangers to health, despondent guesses at the short range to be expected and some wild estimates of high prices may be exaggerated, but some of the mud will doubtless stick, at least until the rest of the world adopts this u.h.f. band, as is possible.

The choice of modulation is a blow in the face for the very large number of users of illicit 27MHz, amplitude-modulated sets in the UK. These people have operated their 'rigs' for several years now, and have conducted a campaign to have an a.m., 27MHz band legalized. They have shown themselves to be not in the least concerned with the effects of their activities on the community and will probably continue to use their illegal equipment: the cachet of respectability and social responsibility is unlikely to be worth the cost of a new transceiver and a licence to operate.

Sooner or later they will begin to change

to f.m. sets, and as soon as this happens, the rest will have to conform or face the danger of being left high and dry, talking to themselves. The Home Office choice of f.m. is a good one: not only will it lead to much less interference than a.m., but it is a rap across the knuckles for the pirates. They have deliberately broken the law and cannot grumble when they are put to some expense and inconvenience.

Amateur radio could well find itself the slightly surprised beneficiary of any surge of enthusiasm for c.b. radio. Throughout the campaign for c.b., amateurs have presented a fairly equable face to the c.b. fraternity: relatively few condemnatory remarks have been published – fewer than might have been expected. It may be that, attracted by the temperate attitude of the amateurs and limited by the inflexibility of c.b. equipment, c.b. enthusiasts will 'graduate' to full amateur status and worldwide, rather than local communication.

The protracted lobbying for a personal radio band ought to have its effect on the Home Office, too. Its job is to ensure that the radio spectrum is properly used, not to assume ownership. This decision could have been taken many months ago, long before the number of a.m. sets constituted a problem. There was no constitutional reason not to take it: nothing has changed – if 27MHz f.m. is available now, it could also have been made available then. If it was considered that such an allocation would cause interference then, it will do so now, and the public interest is being compromised.

If a similar demand for an allocation occurs in the future, let us have a little more open discussion and less concealment or exaggeration of selected facts, on both sides.

Digital capacitance meter

A four-digit meter with input circuit protection for measuring values from 1pF to 1000 μ F

by I. H. Ibrahim, Ph. D., Cairo University

Input protection circuits on wide-range, low-cost, capacitance meters are often a source of non-linearity errors. This article describes the theory of operation and construction of a four-digit capacitance meter which can be used to measure capacitors from 1pF to 1000 μ F in six ranges. Emphasis has been placed on the design of the input protection circuit and other parts of the circuit where errors could possibly be introduced. A null adjuster allows compensation for stray capacitance, and a polarizing voltage can be used for electrolytics.

The different techniques used for measuring the value of a capacitor at low frequencies can be divided into three general groups: reactance compensation, impedance comparison and charge injection. When low frequencies are used, the effects of lead inductance and high-frequency dielectric losses may be neglected. In the first technique, reactance compensation, the capacitor to be measured is connected to the input of the meter and the impedance of the input adjusted until its reactance at the fixed operating frequency is equal to that of the capacitor, but with opposite sign. The capacitor and the impedance of the input form a resonant network and the value of the capacitor can be obtained from the impedance value of the input at the point at which the peak voltage or current

is obtained. This method, although accurate, is difficult to apply when high-value and electrolytic capacitors are to be measured.

In the second method, impedance comparison, the capacitor under test is connected as part of a bridge circuit. When balance conditions are obtained the value of the capacitor can be calculated from the known values of the other components of the bridge and the operating frequency. This method is suitable for high-accuracy measurements, but it has the disadvantage that the balancing procedure in manually balanced bridges is tedious. On the other hand, automatic and self-balancing bridges are very expensive.

The third technique is the charge-injection method in which an electrical charge of Q coulombs is injected into the capacitor during a charging period of T seconds. This will cause a change of V volts in the capacitor voltage. The value of the capacitor is then obtained as the ratio Q/V farads. In some meter circuits Q is a constant value while V is inversely proportional to the value of the capacitor. In other meter circuits the change in voltage over the capacitor is constant, while Q is directly proportional to the value of the capacitor. But as the charge Q is the integration of current with time it is possible to design meter circuits so that the charging period T is directly proportional to the measured capacitor. The latter method is used in this design and is the most convenient for digital capacitance meters, in which the charging period is measured by counting the

number of clock pulses that occur during that period. These clock pulses are usually obtained from a stable crystal oscillator.

Input protection

Most low-cost meter circuits do not include a means of protecting the meter against any initial charge stored in the capacitor under test. The need for protection becomes greater when the meter is designed for measuring large and electrolytic capacitors, which are capable of storing large electrical charges over long periods. In this case, it is vital to insert a suitable protection network between the capacitor under test and the input port of the meter. The insertion of such a network usually causes a non-linear relation between the value of the capacitance and the charging period T and this in turn causes non-linearity errors in the readings. Fortunately, with optimum design of the protection network, it is possible to reduce these errors to negligible proportions — much smaller than the errors caused by the tolerances of the values of the circuit components. The various sources of error will be discussed in more detail later in this article.

Charge-injection technique

Although this technique is well known, a quick review will help to show the effect of inserting the protection network. Figure 1 shows the basic idea of the charge-injection method. The capacitor C_x is charged from

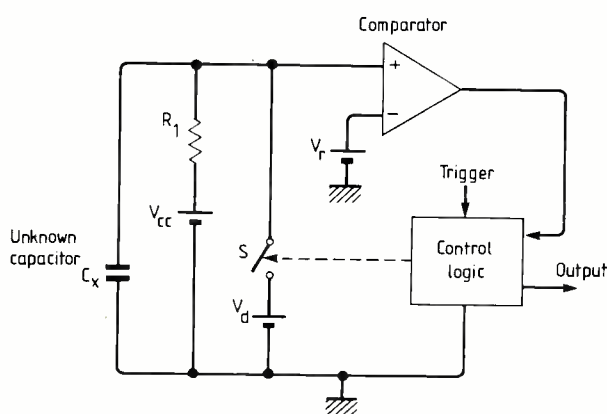


Fig. 1. Simplified diagram of the charge-injection technique used to measure capacitors.

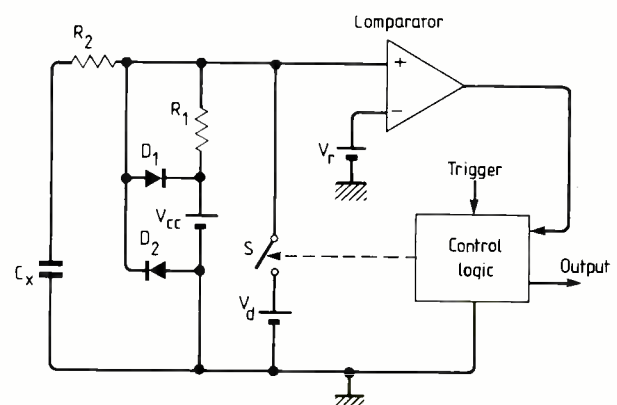


Fig. 2. The simplified charge-injection circuit with input circuit protection consisting of R_2 , D_1 and D_2 . An initial charge in C_x is discharged through R_2 and the switch S .

V_{cc} through R_1 until the voltage across it reaches the value of the reference voltage V_r . The output voltage from the comparator will then go positive. This will be sensed by the logic-control circuit, which will then close the switch S, discharging the capacitor to a voltage V_d , which is less than V_r .

In digital capacitance meters, the data is updated every T_o seconds by triggering of the control-logic circuit, which opens switch S and starts the capacitor charging. During the charging period T , the voltage across the capacitor will rise from V_d to V_r in a time T , given by:

$$T = R_1 C_x \log_e \frac{V_{cc} - V_d}{V_{cc} - V_r} \quad (1)$$

and is directly proportional to C_x . The period during which the capacitor is being discharged (switch S closed) will be termed the relaxation period, and is equal to $T_o - T$. In Fig 1, the relaxation period has no effect on the charging period, assuming that switch S is ideal.

A similar situation will arise if V_{cc} and R_1 are replaced by a current source I . The charging period then becomes:

$$T = C_x \cdot (V_r - V_d) / I \quad (2)$$

and is still directly proportional to C_x .

The circuit of Fig 2 is similar to that of Fig. 1, apart from the addition of the protection circuit R_2 , D_1 and D_2 . When a capacitor with an initial charge voltage greater than V_r is connected as shown in Fig. 2, it will be discharged through R_2 and the closed switch S. When the voltage across the series combination of C_x and R_2 is less than the reference voltage V_r , the logic circuit will trigger, open the switch, and start the capacitor charging up again. The two diodes are used to keep the input voltage of the comparator between $-V_{D2}$ and $+(V_{D1} + V_{cc})$, where D is the forward voltage-drop of the diode used.

The following formula shows that for steady-state conditions, the period I can be obtained:

$$V_{cc} - V_d + \left(V_{cc} \frac{R_2}{R_1} - V_r \left(1 + \frac{R_2}{R_1} \right) \right) \cdot \exp \left(\frac{-(T_o - T)}{R_2 C_x} \right) = \left(1 + \frac{R_2}{R_1} \right) \cdot (V_{cc} - V_r) \cdot \exp \left(\frac{T}{C_x (R_1 + R_2)} \right) \quad (3)$$

The solution of this formula is a non-linear relation between the value of the capacitor and the charging period. Before considering this relationship, take the limiting case where the updating period T_o and the relaxation period $T_o - T$, are very long compared with the time constant $R_2 C_x$. Equation 3 can then be simplified and the following expression applied:

$$T_1 = (R_1 + R_2) C_x \log_e \left(\frac{R_1 (V_{cc} - V_d)}{(R_1 + R_2) (V_{cc} - V_r)} \right) \quad (4)$$

Note that T has been changed to T_1 in

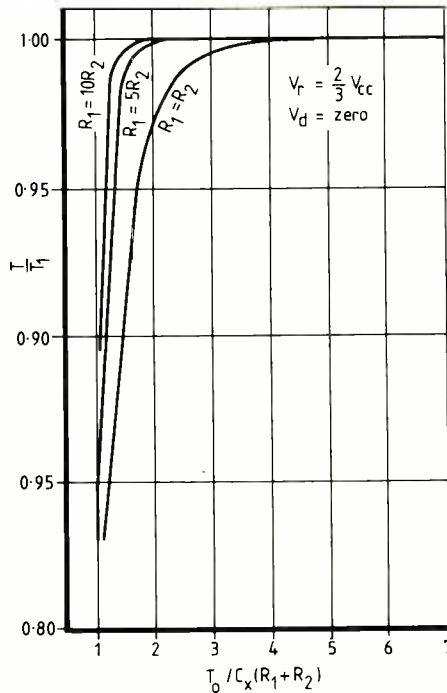


Fig. 3. The error in the charging period T caused by the protection network.

equation 4. Ideally, the charging period T needs to be directly proportional to C_x so we investigated practical circuit modification which would make T of equation 3 approach the limiting solution given in equation 4.

Because the analytical solution of equation 3 is difficult to obtain we solved it numerically for a specific case where we

assumed that $V_d = 0$ and $V_r = 2V_{cc}/3$. These figures were chosen so that the results can be directly applied to circuits using the 555 timer. The results are shown in Fig. 3 where T/T_1 is plotted against $T_o/C_x(R_1 + R_2)$ with R_1/R_2 as a parameter. T is obtained from equation 3 and T_1 is as given by equation 4. The results show that T becomes very close to T_1 if T_o is a few times greater than $C_x (R_1 + R_2)$, if R_1 is much greater than R_2 or if both conditions apply. Calculations have shown that if R_1 is greater than $0.6 R_2$ and if T_o is greater than $6C_x(R_1 + R_2)$, the difference between T and T_1 is less than 0.01%.

Other sources of error

When the circuit of Fig. 2 is designed so that the above requirements are satisfied, the charging period will be given by equation 4 only if the two diodes are identical and if the input impedance of the comparator is equal to infinity. From a practical point of view those additional requirements are impossible, so it is worth while investigating their influence on the meter accuracy.

Let us first consider the effect of the protection diodes D_1 and D_2 , assuming that they carry the reverse saturation currents I_{o1} and I_{o2} respectively. The two diodes, together with R_1 and V_{cc} , are replaced by an equivalent Thévenin circuit with an output resistance of R_1 and an open-circuit voltage of $V_{cc} + (I_{o1} - I_{o2})R_1$ as shown in Fig. 4. The charging period given by equation 4 should then be modified to:

$$T = C_x (R_1 + R_2) \times \log_e \frac{R_1 (V_{cc} - V_d + (I_{o1} - I_{o2})R_1)}{(R_1 + R_2) (V_{cc} - V_r + (I_{o1} - I_{o2})R_1)} \quad (5)$$

Equation 5 indicates that T is still proportional to C_x , but now a new problem arises, due to the dependence of the proportionality constant on the reverse saturation currents, which are temperature dependent. If the two diodes are identical, the effect of the reverse saturation currents will be cancelled out. It is advisable to select the diodes so that the error in T caused by the drift in the circuit components is compensated for by the effect of the drift in I_{o1} and I_{o2} . The second source of error that should be investigated is the input capacitance of the comparator. Its effect is considered in the following section.

Input capacitance effects

In the circuit of Fig. 1, the comparator input capacitance C_{in} is in parallel with the capacitor C_x and the charging period is given by:

$$T = (C_x + C_{in}) \cdot \log_e \frac{V_{cc} - V_d}{V_{cc} - V_r} \quad (6)$$

For the circuit of Fig. 2, it is difficult to find an exact expression for the charging period, so an approximate expression is given.

For sake of simplicity the analysis begins with the assumption that T_o is greater than $6(C_x + C_{in}) \cdot (R_1 + R_2)$, and $V_d = 0$. The Laplace transform of the voltage input to

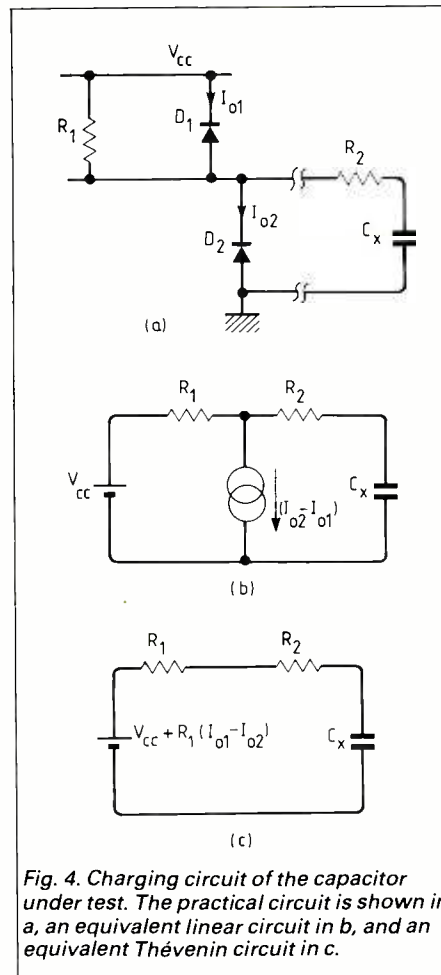


Fig. 4. Charging circuit of the capacitor under test. The practical circuit is shown in a, an equivalent linear circuit in b, and an equivalent Thévenin circuit in c.

the comparator during the charging period will be equal to:

$$V_{in}(s) = \frac{V_{cc}}{s} \times \frac{1}{1 + R_2 C_x s} \quad (7)$$

$$s^2 R_1 R_2 C_x C_{in} + s(R_1 C_{in} + R_1 C_x + R_2 C_x) + 1$$

where s is the complex frequency. The frequency domain expression for $V_{in}(s)$ has two real poles, and a third pole located at the origin of the complex frequency-plane. The locations of the two poles can be obtained from equation 7.

It is interesting to consider the relationships between the values of the components R_1 , R_2 , C_x , and C_{in} of a practical meter circuit under these three conditions:

(a) When the meter is set to measure small capacitances. In this case the resistance R_1 , which is the range setting resistor, will have a very large value compared with R_2 .

(b) When the meter is used to measure medium value capacitors, usually where $R_1 C_x \gg R_2 C_{in}$.

(c) When the capacitor to be measured, $C_x \gg C_{in}$.

In any of the above cases it could easily be shown that the two real poles of equation 7 are located near s_1 and s_2 by:

$$s_1 = - \left(\frac{1}{R_1 C_{in}} + \frac{1}{R_2 C_{in}} + \frac{1}{R_2 C_x} \right) \quad (8)$$

$$s_2 = \frac{-1}{R_1(C_{in} + C_x) + R_2 C_x}$$

Under the conditions stated in (a), (b) and (c) above we find the pole at s_1 is located much further to the left of the pole at s_2 in the complex frequency plane. This means

Table 1

Range	1	2	3	4	5	6
C_x (minimum)	1 pf	10 pf	100 pf	1 nf	10 nf	0.1 μ f
C_x (maximum)	10 nf	0.1 μ f	1 μ f	10 μ f	100 μ f	1000 μ f
T_{max} (seconds)	0.01	0.1			1.0	
Clock frequency	1MHz	100 kHz			10 kHz	
R_1 (ohms)	910149	910149	90939	9061.1	1137.5	1137.5
$\frac{R_1 \cdot C_x \text{ (min.)}}{R_2 \cdot C_{in}}$	20.22	202.2			2527	
T_o (seconds)	0.1	1.0			10.0	

that in the time-domain, the first pole will produce rapidly decaying exponential components that will decay down to a negligible value before the charging period is reached. To a good degree of approximation, the time-domain expression for V_{in} will be:

$$V_{in}(t) = V_a + V_b \exp(s_2 t)$$

The charging period after which the voltage V_{in} reaches the reference voltage V_r will then be inversely proportional to s_2 as is shown by:

$$T = ((R_1 + R_2)C_x + R_1 C_{in}) \times \log_e \frac{R_1(V_{cc})}{(R_1 + R_2)(V_{cc} - V_r)} \quad (9)$$

This shows that the indicated value for the capacitance will be greater than the true value by an amount proportional to C_{in} . That error can be easily compensated for

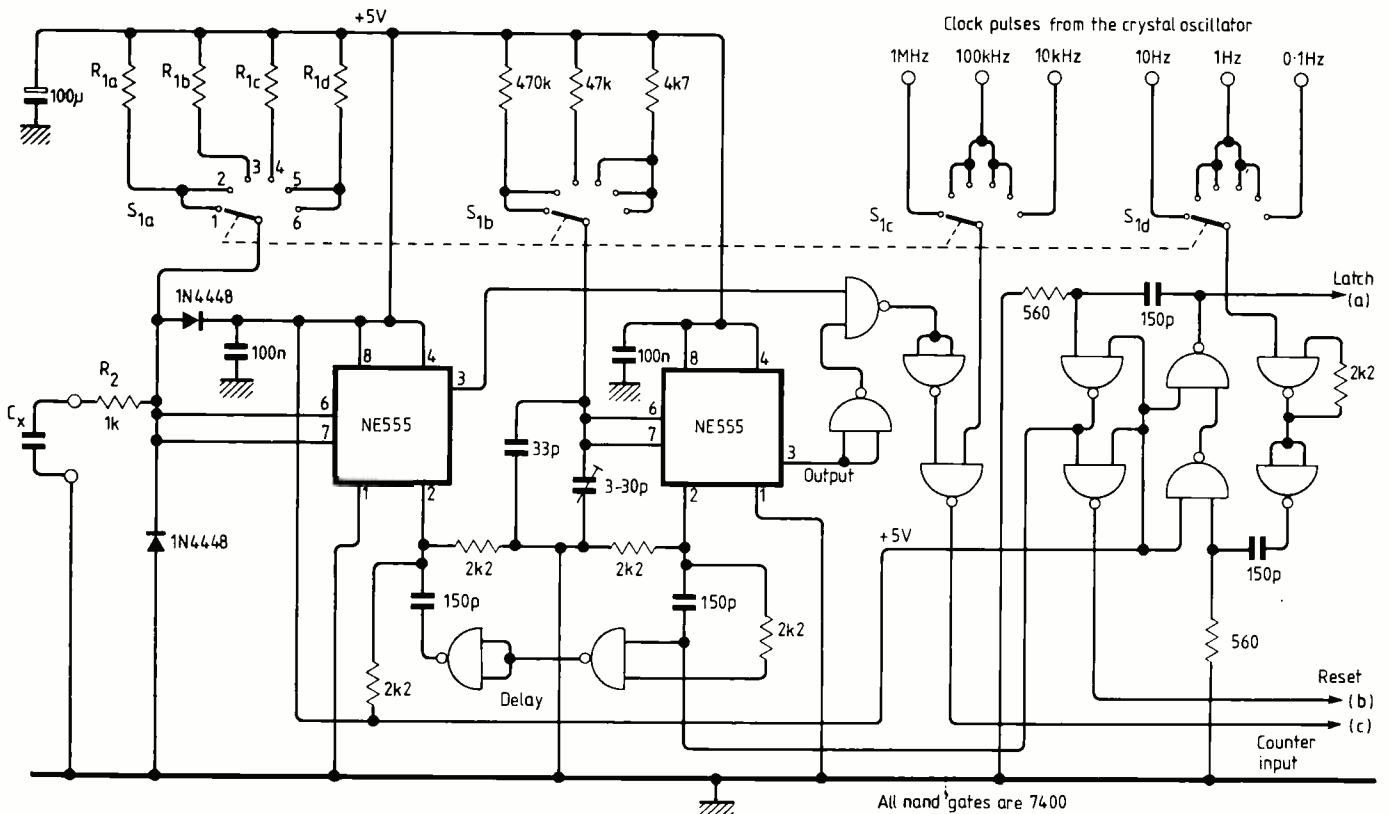
by inhibiting the clock pulses to the counter for a short period.

The meter was built around a four-digit counter and an NE555 timer operating in the monostable mode so that the duration of the output pulse is a linear function of the measured capacitance. The design was optimized according to the above theoretical analyses, so that the accuracy of the meter is maintained throughout all the ranges.

Figure 5 shows the monostable configuration and the protection circuit. To start with, a reasonable value for the current-limiting resistor R_2 must be found, so that the discharge current through pin seven of the ic does not exceed 200mA. We chose R_2 as 1k Ω , to allow measurement of capacitors that are initially charged up to 200 volts without causing damage to the NE555.

The second step is calculating the value of the charging-up resistor, R_1 (one of the range selection resistors R_{1a} to R_{1d}), using equation 4 with $V_d=0$, $V_r=2/3 V_{cc}$, and the charging period T (which is arbitrary) chosen from Table 1.

Fig. 5. Circuit diagram of the charge-injector, input protection, null adjustment, range-selectors and counter-drive sections.



Note: The decoder outputs are connected to the display via current limiting resistors of 390Ω each

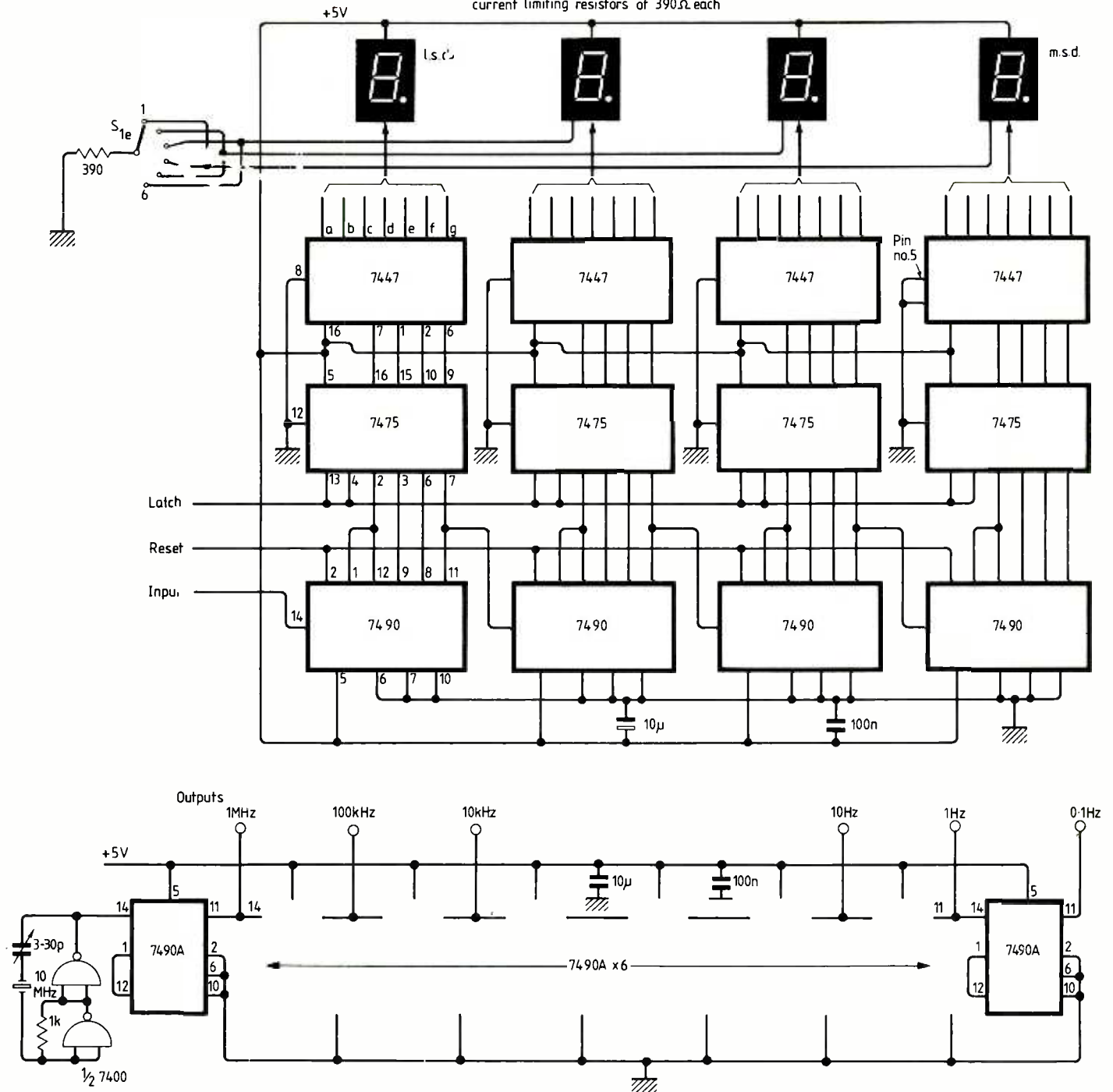


Fig. 6. Counter circuit (above) with crystal-oscillator and frequency-divider circuits (below)

The third step is to calculate the data-updating period T_o to be greater than or equal to $6(R_1+R_2) \cdot C_x(max)$ for each range. Table 1 shows that T_o was chosen slightly greater than $10(R_1+R_2)C_x(max)$ and therefore the error caused by the protection network will always be less than 0.01% of the indicated value.

If a polarizing voltage is required, the circuit of Fig. 5 can be easily modified. The negative terminal of C_x could be connected to an adjustable negative voltage-source of voltage V_p . The polarizing voltage applied to the capacitor is then equal to $V_p + \frac{1}{2}V_{cc}$ and can be adjusted to the desired value. The timer is protected against the polarizing voltage and the operation of the circuit remains unchanged.

A second timer circuit, also operating in the monostable mode, provides the null

adjustment circuit, as shown in Fig. 5. On the application of the trigger pulse to both monostable circuits, the voltages of the two outputs will rise to V_{cc} shortly after the application of the trigger pulse. The output voltage of the second monostable will fall after a time T_2 which depends on the value of the trimmer capacitor, but the output of the first monostable circuit will fall to zero after a time T_1 , as given by equation 4. The four NAND gates will then allow the clock pulses to pass to the counter during a time period $T-T_2$. The value of the trimmer capacitor can then be adjusted until the effect of the input capacitance C_{in} is compensated for and $T-T_2$ becomes directly proportional to the mea-

sured capacitor C_x . Setting up is achieved by setting the meter to range 1, removing C_x , and adjusting the trimmer capacitor until the meter reading is zero.

Figure 6 shows the circuit of the four-digit counter and the clock circuit.

The use of an l.s.i. chip for the counter circuit of Figure 6 will save space, power and could, especially if i.c. sockets are to be used, save money. (Ed.)

Bibliography

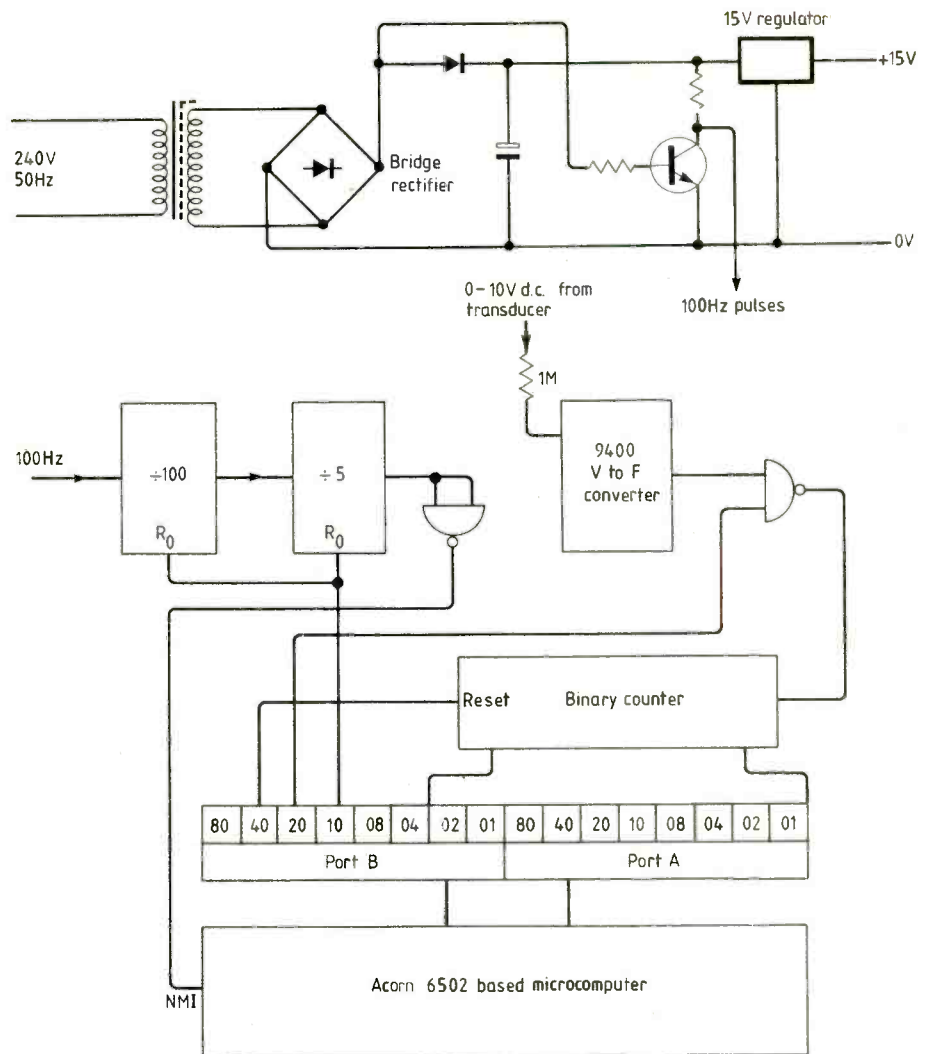
1. CMOS Integrated Circuit Data Book, first edition, December 1973, Motorola Inc., pp 2-10, "Input Circuit Protection."
2. Ryan, A., "Digital capacitance meter", *Wireless World*, April 1980.
3. Holford K., "Capacitance meter", *Wireless World*, Oct 1978.
4. Drummond-Murray, A., "Electrolytic capacitor tester", *Wireless World*, May 1977.

Fig. 1. Simplified block diagram of the prototype instrument.

This prototype samples data every five seconds and reads it in via a 10-bit bus. Data is presented as d.c. levels from 0 to 10V, and the system can take continuous readings for 2.66 years without loss of accuracy. An additional 8154 i.c. is provided in a spare socket on the Acorn controller board to interface between the microprocessor and external circuits. This device provides two 8-bit i/o ports which can be used as separate lines. Normally, port A and two bits of port B are used to read data from a binary counter, but two additional bits can be used for greater accuracy. Three lines of port B are used to control the sampling circuit and the remaining line is available for expansion as shown in Fig. 1.

The five-second interrupts are initialized by the program so that the necessary conditions can be set by the processor before an interrupt is received. When an interrupt signal arrives, the measuring circuit is controlled by the program. Analogue-to-digital conversion is achieved by a 9400 voltage-to-frequency converter, and the optimum digital value for an analogue input can be adjusted by modifying the program listing, i.e., the time that the count takes.

The main program displays the data present in two bytes of memory. When an interrupt command is received by the NMI, new data is read. Initially the 6502 registers and accumulator are saved and then the binary counter is reset to zero to



035C	C6	91	} 38 39 from new average Hex to Dec conversion then dump for display
035E	C6	90	
0360	18		
0361	98		
0362	69	01	
0364	A8		
0365	8A		
0366	69	00	
0368	AA		
0369	90	E9	
036b	E6	92	} retrieve A, x, y,
036d	b0	F5	
036f	84	20	
0371	86	21	
0373	68		} return
0374	A8		
0375	68		
0376	AA		
0377	68		
0378	40		

03A3	A0	01	
03A5	84	27	
03A7	18		
03A8	66	72	
03AA	66	71	
03AC	66	70	
03AE	90	03	
03B0	20	Co	03 process
03B3	C8		
03B4	CA		
03B5	10	EE	
03B7	60		

Process			
03C0	86	26	
03C2	20	E5	03 transfer
03C5	A6	27	
03C7	20	A0	00 shift
03CA	CA		
03Cb	D0	FA	
03cd	20	d3	03 add
03D0	86	26	
03D2	60		

Add			
03D3	86	2F	
03D5	18		
03D6	D8		
03D7	A2	F0	
03D9	B5	60	
03Db	75	50	
03DD	95	50	
03DF	E8		
03E0	D0	F7	
03E2	A6	2F	
03E4	60		

Transfer			
03E5	86	2F	
03E7	A2	0F	
03E9	A9	00	
03Eb	95	50	
03Ed	CA		

03EE	10	Fb	
03F0	A2	0F	
03F2	B5	30	
03F4	95	50	
03F6	CA		
03F7	10	F9	
03F9	A6	2F	
03FB	60		

Shift			
00A0	86	2F	
00A2	18		
00A3	A2	F0	
00A5	36	60	
00A7	E8		
00A8	D0	FB	
00AA	90	03	
00AC	20	b8	00
00AF	A6	2F	
00b1	60		

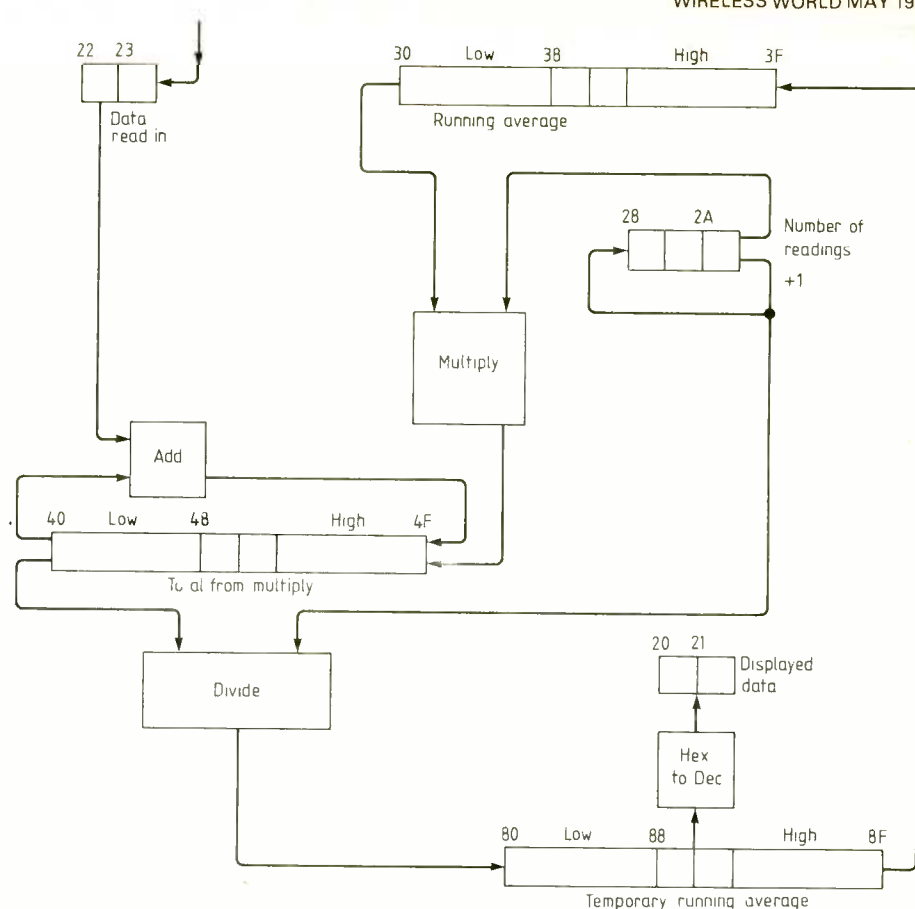
Alarm			
00b8	86	2E	
00bA	A2	07	
00bc	A9	49	
00bE	95	10	
00C0	CA		
00C1	10	F9	
00C3	A2	80	
00C5	20	0C	FE
00C8	A0	18	
00CA	20	cd	FE
00cd	88		
00CE	d0	FA	
00d0	CA		
00d1	D0	F2	
00d3	A2	07	
00d5	A9	00	
00d7	95	10	
00d9	CA		
00dA	10	Fb	
00dC	A6	2E	
00dE	60		

Fig. 2. Data flow within memory during executing program. The numbers refer to zero page locations.

clear the previous reading. The counter gate is then opened for a specific period which is controlled by a delay subroutine in the Acorn monitor. The gate is then closed and new data is read into two bytes in zero page memory. When this operation is complete, the existing running average from a 16-byte register in zero page is multiplied by the number of readings taken, which is contained in three bytes of zero page. New data is then added to this total and the number-of-readings register is incremented. To complete the averaging procedure, the total from the multiplication plus the new data is divided by the incremented number of readings and then returned as a new figure to the 16-byte register reserved for the running average. The new data is added to the multiplication so that it has 64 trailing zeros, which provides a fixed decimal point for division. The two least significant bytes, which form whole numbers, from the running average are converted to decimal for display by the main program. These bytes correspond in significance with the data read in, so the running average total will never exceed the two bytes which are displayed. The events that take place during the processing of new data are shown in Fig. 2.

As the 3-byte register containing the number of readings can cater for 2^{24} events before overflow, a reading every 5s can be stored for over 2.5 years before data is lost. Because the register containing the running average has, in effect, 2^{64} decimal places, after 2.5 years new data can still significantly alter the running average. If only two bytes of data are displayed, small variations in totals will not be seen immediately although the information will be stored in memory.

A sample program listing used with the prototype instrument is shown in Table 1.



However, both the hardware and software can be modified to suit specialized applications.

One practical use for a modified instrument is the calculation of a domestic electricity bill. A current transformer with an accurate resistor across it can be used as a transducer to provide a voltage proportional to the current. This output is rectified by a single germanium diode so that the voltage drop across the device is small. Peak voltage can be measured by choosing a suitable smoothing capacitor and using the correct frequency of readings for the time constant of the circuit.

The data can be multiplied by a constant which includes an adjustment to give the r.m.s. values and a conversion to kW. With this arrangement the maximum desired bill can be selected and, if the running average is such that the bill will be drastically exceeded, an alarm can be triggered or non-essential equipment can be disconnected until the average is reduced.

If faster operation is needed, the program can be speeded up by changing from hex-to-decimal conversion to a different type, and increasing the frequency of the v-to-f converter so that the counter gate-time can be reduced. □

IN OUR NEXT ISSUE

Audio millivoltmeter

A simple instrument which uses 20 I.e.ds to give a fast-response, peak reading indication. It can be used for audio frequencies and d.c. and is battery-powered. The meter offers many of the advantages of a pointer meter without the inertia of the movement.

Morse code lock

An 8748 microcomputer recognizes sixteen morse characters, keyed-in by the

user, and operates an electric lock when the input code corresponds with that held in memory. The lock uses only two integrated circuits, and the standby current is around 1 microamp.

Remote keyboard

Using an RS232 serial link, this design allows a remote keyboard to be connected to a computer and used simultaneously with the existing keyboard, without complex software. The circuit can easily be adapted to suit individual circumstances.

On sale 20 May

Measuring transient intermodulation in audio amplifiers

The 'inverting-sawtooth' method for low t.i.d. measurements

by P. Antoniazzi, C. Buongiovanni and S. Tintori, SGS-Ates, Milan.

Over the last ten years transient intermodulation distortion (t.i.d.) has attracted considerable interest in audio engineering circles, as a glance at the bibliography shows. Among the many published papers on the subject a number deal with the measurement of t.i.d.

The best known method consists of feeding sine waves, superimposed onto square waves, into the amplifier under test. The output spectrum is then examined using a spectrum analyser and compared to the input. This method suffers from serious disadvantages: the accuracy is limited, the measurement is a rather delicate operation and an expensive spectrum analyser is essential.

Recently, a new approach has been described by S. Takahashi and S. Tanaka which is, in their own words, simple yet precise. This method, which we will refer to as the "inverting sawtooth" method, is also fast, cheap – it requires nothing more sophisticated than an oscilloscope – and sensitive – and it can be used down to t.i.d. values as low as 0.002% in high power amplifiers.

Transient intermodulation distortion is an unfortunate phenomenon associated with negative-feedback amplifiers. When a feedback amplifier receives an input signal which rises very steeply, i.e., it contains high-frequency components, the feedback can arrive too late so that the amplifier overloads and a burst of intermodulation distortion will be produced, as in Fig. 1.

Since transients occur frequently in music this is obviously a problem for the designers of audio amplifiers. Unfortunately, heavy negative feedback is frequently used to reduce the t.h.d. (total harmonic distortion) of an amplifier, which tends to aggravate the transient intermodulation (t.i.m.) situation.

Method of measurement

The 'inverting-sawtooth' method of measurement is based on the response of an amplifier to a sawtooth waveform. The amplifier has no difficulty following the slow ramp but it cannot follow the fast edge. The output will follow the upper line in Fig. 2, cutting off the shaded area and thus increasing the mean level. If this output signal is filtered to remove the sawtooth, a direct voltage remains which indi-

cates the amount of t.i.m. distortion, although it is difficult to measure because it is indistinguishable from the d.c. offset of the amplifier. This problem is neatly avoided in the i.s.-t.i.m. method by periodically inverting the sawtooth waveform at a low audio frequency as shown in Fig. 3. In the case of the sawtooth in Fig. 2, the mean level was increased by the t.i.m. distortion; for a sawtooth in the other direction the opposite is true.

The result is an a.c. signal at the output whose peak-to-peak value is the t.i.m. voltage, which can be measured easily with an oscilloscope.

Practical measurements

The equipment needed for i.s.-t.i.m. measurement is shown in Fig. 4. A 20kHz sawtooth generator, its output inverted every 256 cycles, is followed by a high pass filter which attenuates the 78 Hz switching component by more than 100dB. A suitable circuit, shown in Fig. 5, is a straightforward, 36 dB/oct. Butterworth filter, with a cutoff at around 1 kHz. The circuit contains a simple RC network to limit the maximum signal slope to a reasonable value. It can be switched to supply signals of varying severity to the test amplifier: for most purposes the $f_c = 30\text{kHz}$ position gives realistic results but for "super-fi" amplifiers the 100 kHz position can be used. An intermediate position, not normally used, is provided.

After leaving the amplifier under test, the 20 kHz sawtooth must be filtered out so that the t.i.m.-induced voltage can be measured. The passive low-pass network in Fig. 6 gives the desired response.

Finally, the filtered output signal is displayed on an ordinary oscilloscope. If the peak-to-peak value of this signal and the peak-to-peak value of the inverting sawtooth are measured, the t.i.d. can be found very simply from:

$$\text{t.i.m.} = \frac{V_{\text{out}}}{V_{\text{sawtooth}}} \times 100$$

The two oscilloscope photographs show the waveforms actually observed. The top one shows part of the 20kHz inverting-

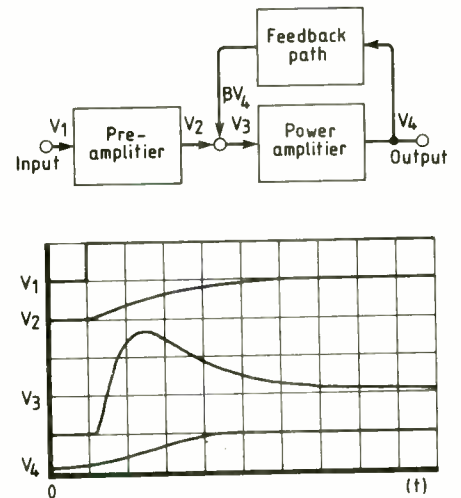


Fig. 1. Response of negative-feedback amplifier to very steep input slope



Fig. 2. Input sawtooth and response of amplifier

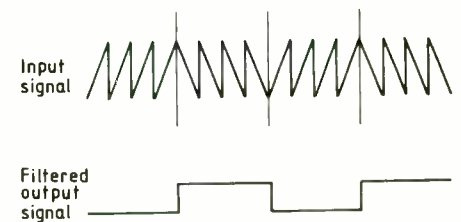


Fig. 3. Inverting sawtooth and filtered output of amplifier under test

Fig. 4. Block diagram of measurement setup



sawtooth waveform at the output of the generator, while the second shows a typical filtered output waveform (20kHz/256 = 78Hz) which is used to measure the peak-to-peak amplitude of the t.i.m.-induced voltage.

Inverting sawtooth generator

To generate the special inverting-sawtooth waveform we designed the simple circuit shown in Fig. 7. An ordinary sawtooth signal is generated by a relaxation oscillator consisting of the constant current generator Tr_1 , a capacitor C_1 , inverting triggers IC_{1a} and IC_{1b} and an analogue switch, I_{2a} . Capacitor C_1 is charged by the constant current generator until the voltage across it reaches the upper threshold of the trigger IC_{1b} , which is about 6.5V. This closes the analogue switch and discharges C_1 . Discharging continues until the voltage across C_1 falls to the lower threshold of the trigger, about 3V, when the analogue switch opens and C_1 charges again. The frequency of the resulting sawtooth waveform is adjusted to 20kHz by the trimmer in Tr_1 emitter.

The buffer, Tr_2 , minimizes the loading on C_1 and attenuates the signal to avoid saturating the phase-splitter that follows. The phase-splitter, Tr_3 , provides two out-of-phase sawtooth waveforms, the trimmer in the collector of Tr_3 adjusting the symmetry of these waveforms. Another trimmer in the inverted signal decoupling network, adjusts the relative offset of the two waveforms.

The analogue switches IC_{2b} and IC_{2c} select either the direct or the inverted sawtooth under control of the counter, which divides the discharge pulses from the relaxation oscillator by 256, so that the out-

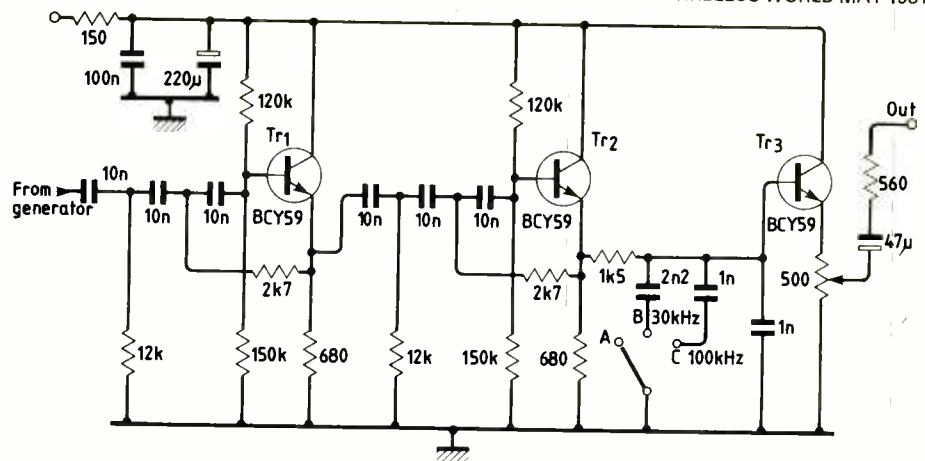


Fig. 5. High-pass filter and signal slope limiting network

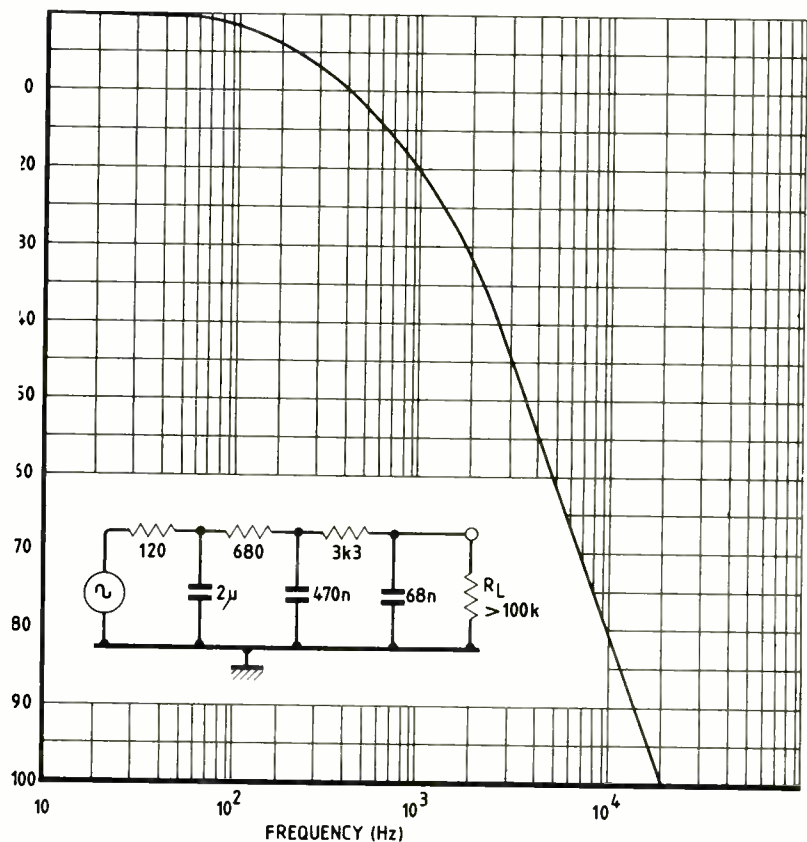
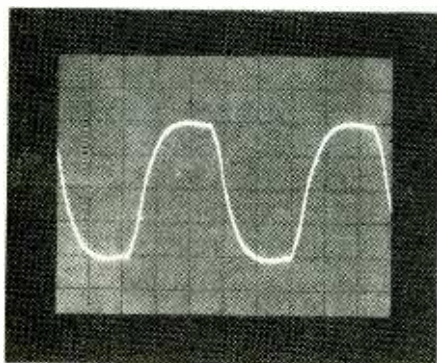


Fig. 6. Low-pass filter characteristic



Inverting sawtooth is shown in top trace; bottom picture is t.i.m.-induced voltage after filter.

put sawtooth signal changes phase every 256 cycles. The inverting sawtooth is buffered by Tr_4 .

The output of the counter also serves to synchronize the oscilloscope used in the measurements. Without this sync., it would be virtually impossible to observe the inverting sawtooth waveform.

Some results

TO see how the inverting sawtooth method works in practice, we have tested a variety of audio integrated circuits – standard operational amplifiers, monolithic power amplifiers and an RIAA preamplifier based on a new high-quality preamplifier i.c. For the t.i.d. measurements on the operational amplifier, a unity-gain buffer, shown in Fig. 8, was used to match the low

impedance filter to the op-amp. input. Figure 9 shows the results obtained from an LS148 op-amp. with three different values of compensation capacitors.

These results show t.i.d. values higher than those obtained using other methods – a result of the greater sensitivity of the i.s.-t.i.m. technique. Extensive comparison of t.i.d. measurements using various methods have been published elsewhere and confirm the validity of the inverting-sawtooth method. Although it is possible to measure t.i.d. as low as 0.002% this only applies to high-power amplifiers when the t.i.m. voltage can be measured more easily.

Figure 10 shows typical t.i.d. values for a 15W monolithic amplifier, the TDA 2030, in the test circuit, Fig 11. As in the case of the operational amplifier the measurements were carried out at the three different settings of the signal slope

continued on page 53

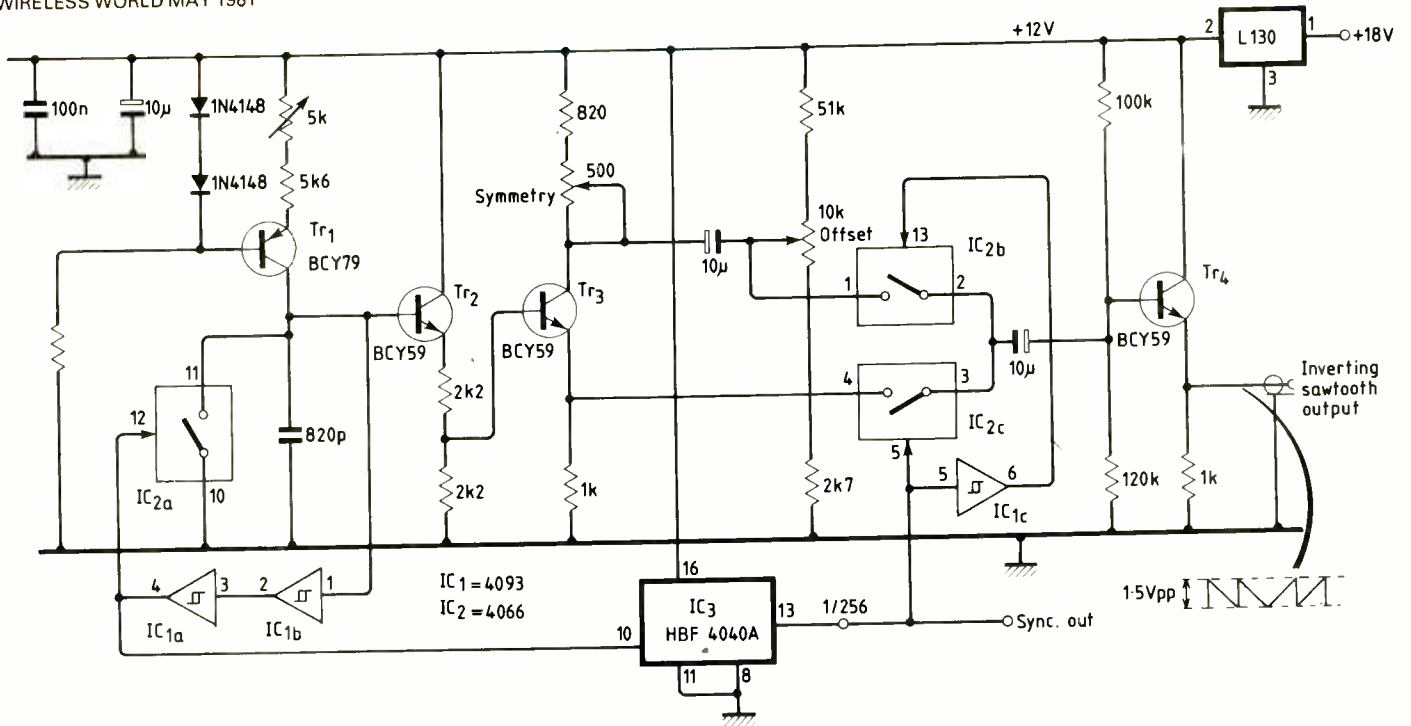


Fig. 7. Inverting sawtooth generator

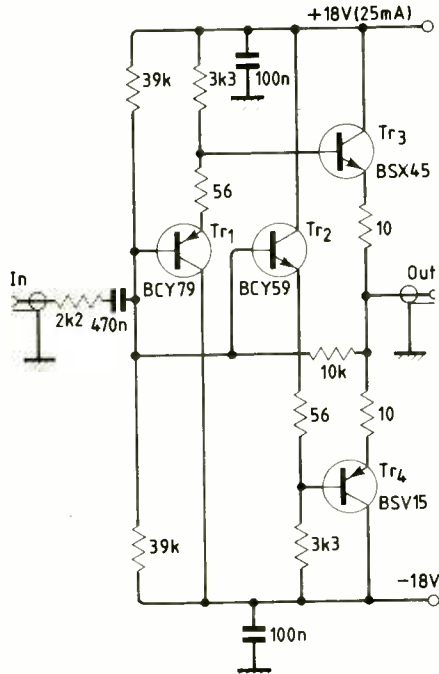


Fig. 8. Unity-gain buffer

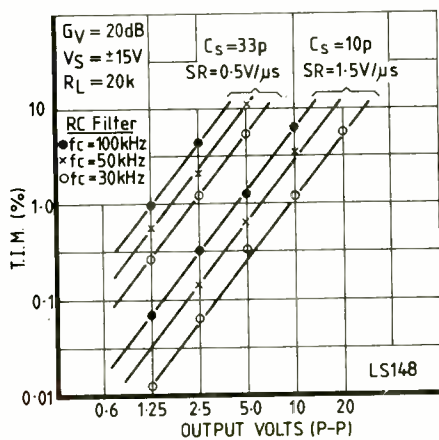


Fig. 9. T.i.d. measurements on LS148 op-amp.

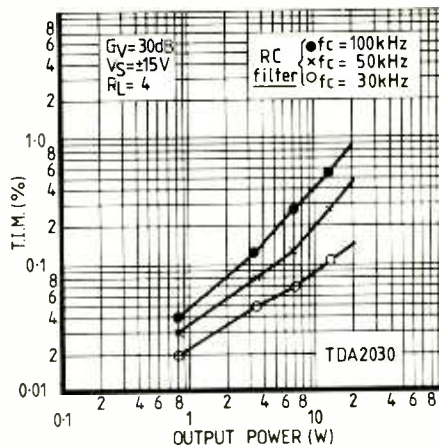


Fig. 10. T.i.d. measurements on TDA2030 audio power amplifier

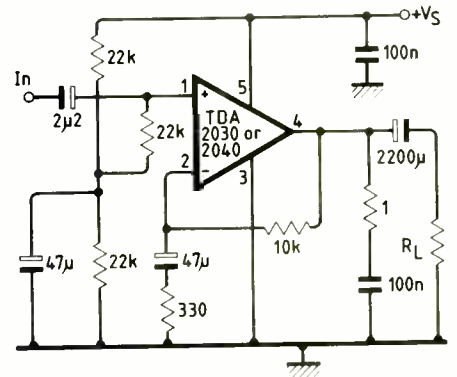


Fig. 11. Test circuit used for TDA2030/TDA2040

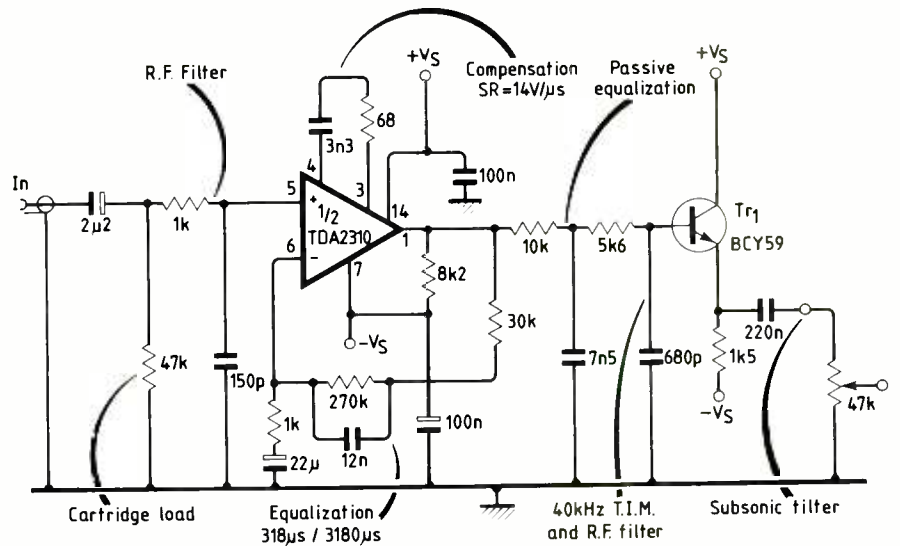


Fig. 12. R.I.A.A. preamp. based on TDA2310 (one channel)

Television for no-signal areas

An "active deflector" for re-directing broadcast signals

by J. M. Osborne, G3HMO

In the last decade u.h.f. colour television broadcasting has, for all practical purposes, replaced black-and-white at v.h.f. The use of the higher frequencies sharpens the "no-go" areas where no signal or no usable signal exists; rectilinear propagation rules. However many relay stations are erected, inevitably there will be isolated sites for which this solution must be uneconomic. From many of these isolated sites, perhaps for most, it is possible to see

a point on local high ground from which in turn a television broadcast mast is visible; visible in theory, that is, or with a telescope on a clear day. An active deflector becomes a plausible possibility.

If the signal at the top of the hill is received in the conventional way and re-directed towards the 'no-signal' site, normal reception there can be achieved. The description that follows is a case history of how a single installation provided six

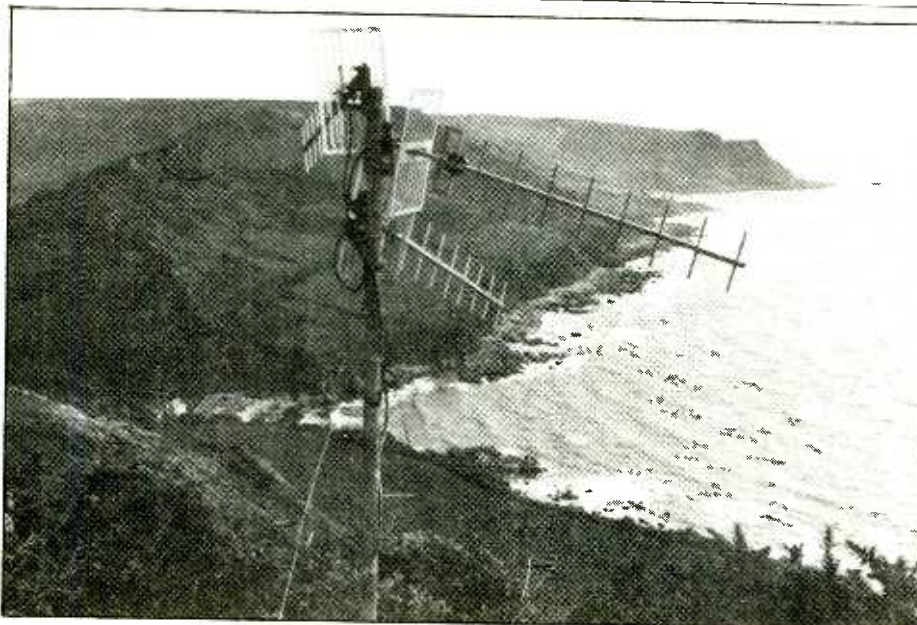
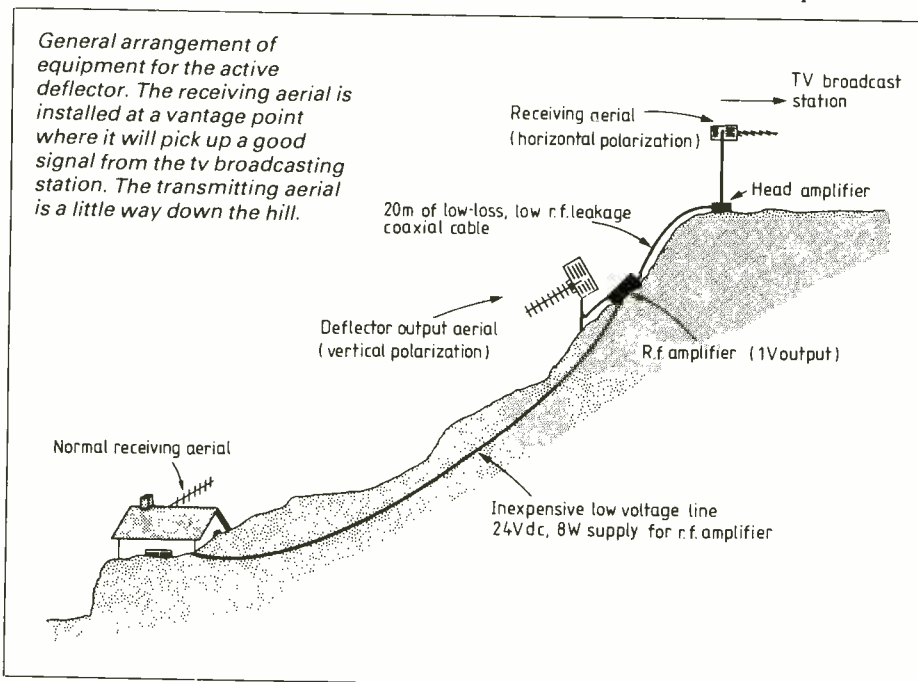
households in three neighbouring 'no-signal' sites with normal signals. Conventional aerials with and without masthead amplifiers at these sites give performance not significantly different from that received by those at the top.

The situation is a classic one; the houses are on the coast with high ground inland. The problem: all broadcast tv stations, high power and relay, within range are screened by this high ground. The solution: a signal (of a few millivolts) received up top, amplified as necessary, is re-directed to give a comparable signal down below perhaps 500 to 1000m away.

The hardware is basically very simple. The main aerial, about 3m high, is connected to a head amplifier and then by 20m or so of low-loss, low-leakage coaxial cable to another r.f. amplifier. This wideband amplifier is crucial to the project and its specification is quoted later. The output is connected via a further short length of low-leakage coax to three aerials on an adjacent mast about 2m high. A specially made harness using quarter wave 50-ohm sections matches the amplifier (75 ohms) to the aerials (each also 75 ohms). These aerials, pointing at the respective sites, are vertically polarised to minimise the possibility of oscillation or instability through coupling to the main horizontally polarised aerial.

Coax with low r.f. leakage is used throughout to avoid feedback problems. These cables also run at ground level except where running vertically up the earthed aluminium masts, for the same reason. It is comforting that at no time has r.f. feedback occurred with these simple precautions. How far these precautions can be relaxed before running into trouble has not been investigated.

At the three receiving sites, normal tv aerials (vertically polarised and pointing up the hill) with and without head amplifiers result in good quality colour pictures on all three channels. In fact, the aerials need only have a clear line of sight to the top of the hill and need not, in general, be above the roof. Fixing to a wall makes a cheap, tidy installation. On one site a black-and-white portable gives a usable (though admittedly slightly noisy) picture



Nature of the terrain can be seen from this view with the three transmitting aerials in the foreground.

Main items of equipment

Main amplifier:

Amethyst (u.h.f. only). Wolsey Electronics, Cymmer Road, Porth, Mid Glamorgan CF39 9BT. (Trade price £77.48 plus VAT.)

Aerials:

Antiference TC18 (one) and TC10 (three).

Masthead amplifier:

CM7025/CD. Labgear Ltd, Abbey Walk, Cambridge CB1 2RQ.

using its built-in halo aerial, if the set is placed in the window on the right side of the house.

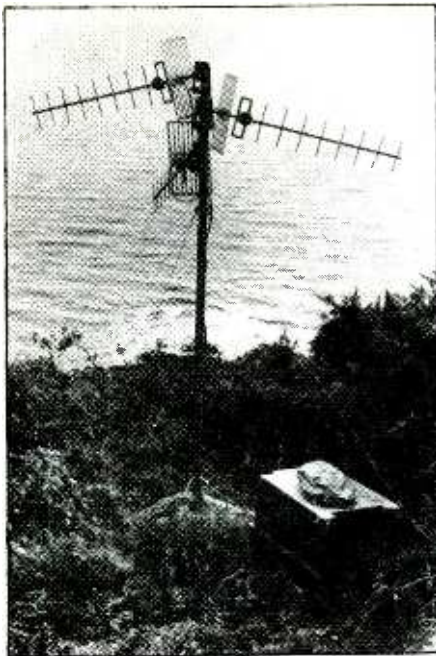
The amplifier that made this project possible is the Amethyst supplied by Wolsey Electronics. The u.h.f. version cost less than £100, including the mains power supply. This unit is designed as a distribution amplifier, e.g. providing a large number of outlets in blocks of flats from a communal aerial on the roof. It is ideal for the present application: broad band, ultra linear, 75-ohm coax input and output, up to 1V r.f. output and an integral d.c. supply up the input coax for the head amplifier.

A mains supply up the hill is out of the question. The power unit was therefore removed from the Amethyst. The amplifier draws an economical 240mA at 24V. This is supplied by a pair of p.v.c. 24-s.w.g. wires run up the hill for the most part through the uncultivated undergrowth under an old dry wall. It is fairly unlikely to be disturbed. At the lower end this pair of wires is run into an outhouse along the posts of a chicken run. At the top, where it connects to the amplifier, a series diode provides polarity protection. The resistance of the wire (25 ohm) at 240mA and the diode drop requires that a 30V supply be provided. This is left on permanently in the outhouse.

The weather protection of the amplifier is taken care of by standing it clear of the ground on an inverted tray as used for market garden produce. It is covered with plastic sheets (ventilated, not sealed). Over the whole is placed a large heavy-gauge plastic box, upside down to keep out the wind and rain.

The aerials are standard yagis made by Antiference Ltd. Their disposition is clear from the photographs. The excellent directional and gain properties make them a good choice in this application. Their ability to take the weather, including gales and storms, is implicit. The head amplifier, replacing the first one of Continental origin which proved to have inadequate gain, was a Labgear CM7025 compatible with the Amethyst coax supply. Its ability to stand the weather is likewise implicit.

The masts have to be guyed to withstand gale and storm on such an exposed site. They are guyed with stainless steel stranded wire to heavy iron staves driven deep into the ground with a sledge hammer. The staves are made from fencing angle iron, cut and sharpened. The



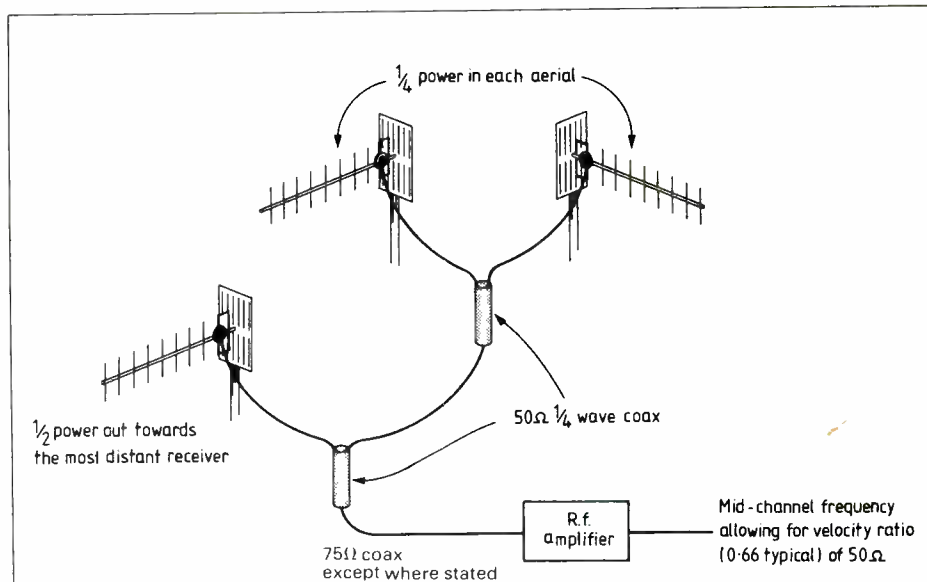
The three transmitting aerials mounted on a mast a little way down the hill. In the foreground is the r.f. amplifier box (with rock on top of it!)

base of each mast has been set in concrete.

Now that the project has been brought to a successful conclusion – for the time being anyhow, since nothing lasts forever – it is interesting to reflect on the variety of problems and solutions engendered by it.

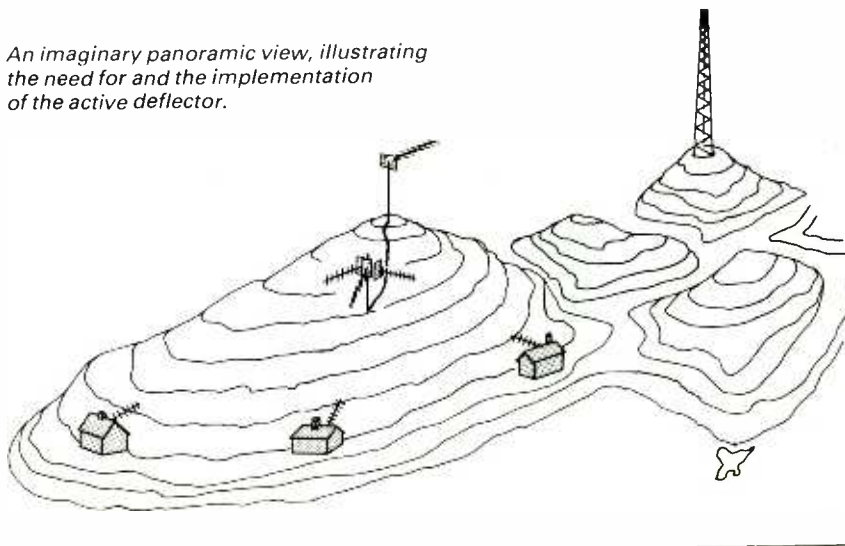
The only instruments used were an Avo multimeter and a Ferguson black-and-white portable which would operate for a short time for test purposes on 12V from heavy duty dry cells. As one was unwilling to lay out cash on an unproved project, the proving of the signal up top was done with redundant aerials. (These became redundant when a local relay was established elsewhere in the West country.) The coax was salvaged from a previous highly satisfactory project – an amateur radio telescope of 1959 – being low-loss cable supplied by J. Beam Ltd to connect the arms of an interferometer made with J. Beam skeleton slot 1.5m aerials.

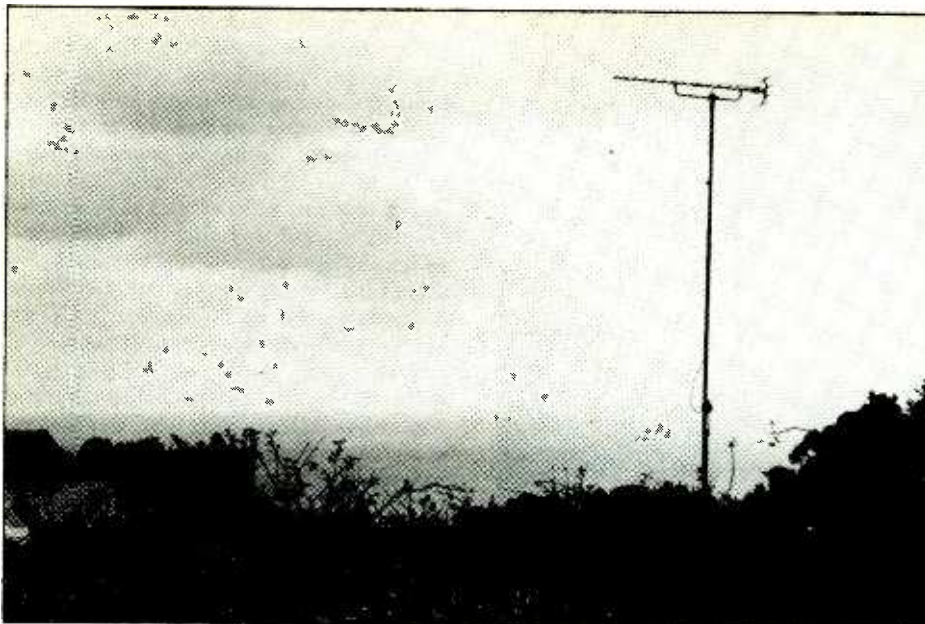
Before any stage of this project was implemented it was proved. Everything up top was carried up a tortuous path 350ft a.s.l. taking 25 minutes by the easiest route (and 15 minutes down). Weather was relevant to what could be done and how



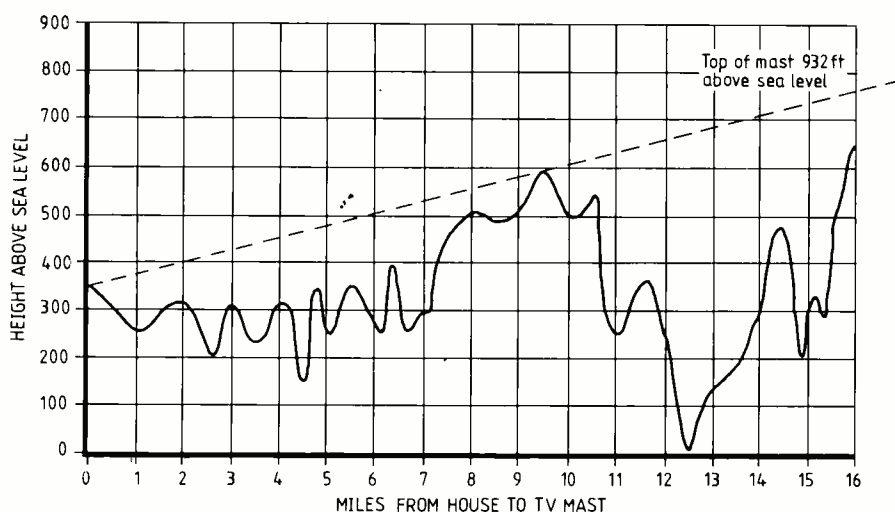
Method of matching three transmitting aerials (each 75 ohm) to the coaxial cable from the r.f. amplifier. 75-ohm inners and outers connect to respective 50-ohm inner and outer

An imaginary panoramic view, illustrating the need for and the implementation of the active deflector.





Main receiving aerial, installed on high ground, with sea in the background.



A plot of contour heights along the path from the broadcast transmitting aerial. Height of the aerial and grid reference are obtained from the BBC Engineering Information Department. The contours are from the Ordnance Survey.

long it took. To test the effect of a single change (2 minutes in a lab) might take half the morning. The justification of the work and the expense of the amplifier was confirmed when good pictures were received down below on a battery operated amplifier (four EverReady 6V type PJ996 batteries ran for two days, the voltage falling to 16V before signals became significantly weak). The laying of the 24V line followed. This involved cutting through undergrowth which must compare with the Burmese jungle. Certainly I wore top boots in view of frequent sightings of adders!

A paradoxical situation arose as a result of the installation of the Labgear head amplifier. That, together with the 18-element Antiference yagi, overloaded the amplifier, causing cross-modulation. A faint interference band across the screen moved slowly up or down. Blank parts of the screen when the set was tuned to one channel revealed faint ghosting from another. All that was needed was to turn

the attenuator on the input of the amplifier – but by how much? A system of flag signalling was devised using red (up) blue (down) and white (OK) items of clothing. This, together with executive signals from the top, enabled a good setting of the attenuator to be found. (Citizens' band walkie-talkies will come in handy for this kind of work.)

A non-problem was permission from a neighbouring landowner to park an aerial on his territory. No loss to him but equally no gain – and it's always easier to say no. The greatest reward is the pleasure brought to neighbours by television in dark winter evenings. Cynics may dispute the programme value even in such isolated surroundings. Is a good book a better option, once the novelty wears off? I think not. We shall soon have four channels to choose from. They surely cannot always be simultaneously an American detective/police/car chase or world news or home political broadcast.

I very much hope the active deflector will keep us going for a decade, by which time a dustbin lid on the roof will provide a plethora of satellite relayed programmes.

Footnote on interference

An active deflector of this kind, if set up in a populated area, could cause interference. Television receivers already getting a signal direct and in line of fire of a deflected signal would suffer interference from this delayed signal. It is therefore necessary to consider this possibility where there are dwellings already receiving tv in sight of the proposed deflector. If the distance from the deflector is large, the direct signal strong and the directivity of the receiving aerial adequate, no problem need arise. If the direct signal is weak and interference is shown to arise, using the signal from the deflector, picked up by an aerial blind to the direct signal, may prove to be the solution. Television engineers and their aerial fitters, using knowhow and tact, might well extend the number of dwellings getting good colour using this technique. As 405-line tv comes up to retirement it might be the only solution in some places.

Licences

To operate an active deflector of this kind you are legally required to obtain a licence (£100 valid for 5 years). To obtain a licence you must first have your scheme technically approved by the broadcasting authorities (Home Office and either BBC or IBA). Procedure is as follows:

Contact the Home Office, BBC or IBA requesting a licence to operate a "self-help" scheme. Either the BBC or the IBA, depending on your area, will send you an enquiry form and an explanatory booklet "Self-help television reception". On receiving your completed form the broadcaster will plan the scheme for aerial radiation pattern, power and coverage to ensure that the active deflector will not cause interference to existing viewers or other services. When details have been agreed at a joint BBC/IBA Home Office television planning group you will be given permission by provisional licence to install the equipment. When the installation is working, inform the broadcaster concerned, who will check it for interference. If then it is approved, the Home Office will issue the full licence.

It is your own responsibility to procure the site and obtain planning permission. Nor do the broadcasters take responsibility for the picture quality obtained.

Addresses: Home Office, Broadcasting Department (Room 668), 50 Queen Anne's Gate, London SW1H 9AT. BBC, Engineering Information Department, Broadcasting House, London W1A 1AA. IBA, Engineering Information Service, Crawley Court, Winchester, Hants SO21 2QA.

Wien-bridge oscillator with low harmonic distortion

New way of using Wien network to give 0.001% t.h.d.

by J. L. Linsley Hood, Robins (Electronics)

The Wien-bridge network can be connected in a different way in an oscillator circuit to give a sine wave with very low total harmonic distortion. An i.e.d./photocell amplitude control is external to the circuit.

The Wien-bridge network remains the most popular method of construction of variable-frequency sine-wave oscillators, since the basic circuit can be very simple in form. It is a fairly straightforward matter to design oscillators of this type in which the harmonic distortion is only of the order of 0.01-0.02%, and which allow frequency control by means of a simple 2-gang potentiometer.

The basic circuit for an oscillator of this form, using a single operational amplifier as the gain block, is shown in Fig. 1, and the author has shown a practical design of oscillator, based on this, for a use as a simple, general-purpose workshop tool.¹ However, in the form shown in Fig. 1, a significant problem exists in that the transmission of a normal Wien network, at the operating frequency, is only 1/3, which means that an inconveniently large proportion of the output signal voltage appears at the inputs of the amplifier, and will lead to non-linearities in the transfer characteristics of the amplifier due to 'common mode' defects. An oscillator design, which employed an input device operated in a cascade configuration with a junction f.e.t. to minimize this type of defect, was shown by the author in 1977,⁶ and allowed a t.h.d. at

1kHz of some 0.003%, which tended to increase with frequency above this point, as the effectiveness of the common-mode isolation deteriorated.

However, it is not implicit, in the use of a Wien network as the frequency-control method, that the configuration shown in Fig. 1, in which the output of the network is taken to the non-inverting input of the amplifier and the amplitude controlling negative-feedback signal is taken to the other, is the only circuit configuration which can be employed. In particular, consideration of the phase and transmission characteristics of such a network, shown in Table 1 and Fig. 2 for equal values of C

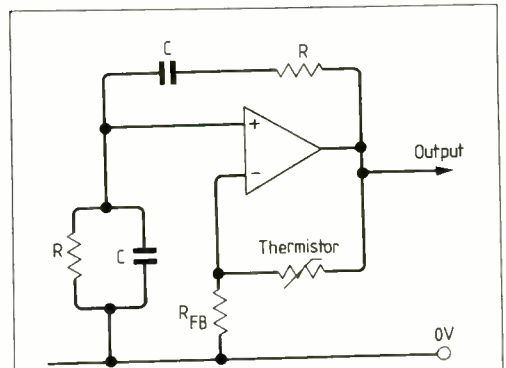


Fig. 1. Basic Wien-bridge oscillator circuit

Fig. 2. Gain and phase characteristics of Wien network

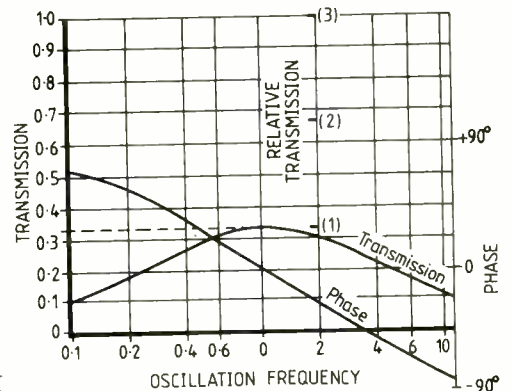
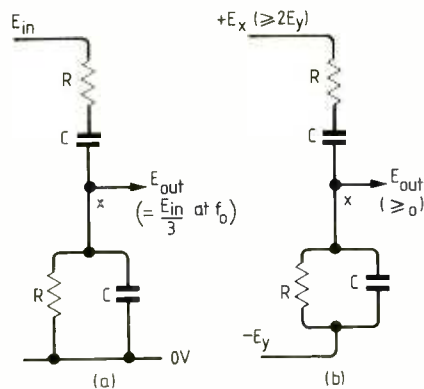
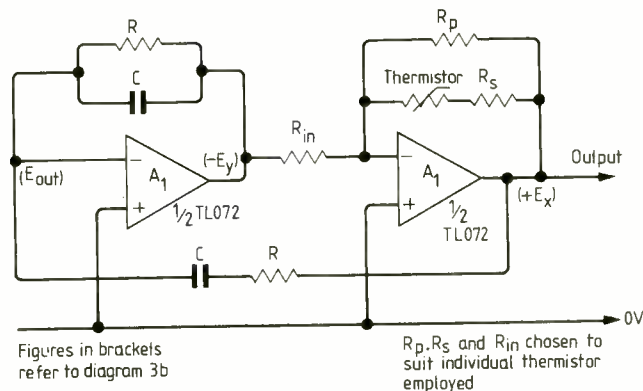


Fig. 3. Rearrangement of Wien network between signal sources gives small in-phase signal at point X

TABLE 1. Phase and transmission characteristics of simple Wien network.

F/F ₀	phase	transmission
0.1	73.14°	0.10
0.2	57.99°	0.18
0.3	45.32°	0.23
0.4	34.99°	0.27
0.5	26.57°	0.30
0.6	19.57°	0.31
0.7	13.65°	0.32
0.8	8.53°	0.33
0.9	4.03°	0.33
1.0	0°	0.33
1.2	-6.97°	0.33
1.5	-15.52°	0.32
2	-26.57°	0.30
3	-41.63°	0.25
5	-57.99°	0.18
8	-69.15°	0.12
10	-73.14°	0.10

Fig. 4. Use of arrangement of Fig. 3 in oscillator circuit



Figures in brackets refer to diagram 3b
R_p, R_s and R_{in} chosen to suit individual thermistor employed

and R, implies that if, instead of the network of Fig. 3(a) being connected between a signal source E_{in} and the 0V line, it was connected between two signal sources $+E_x$ and $-E_y$, where these are sinusoidal and identical in frequency and the negative sign implies phase opposition, as shown in Fig. 3(b), then a small, in-phase signal would exist at the point 'X', at the frequency of maximum transmission, (f_0), if $+E_x$ was slightly greater than $-2E_y$.

This could then be used as a positive-feedback signal in a circuit such as that shown in Fig. 4, to sustain oscillation at the frequency f_0 . Indeed, such a circuit will work quite well, and will sustain a constant output magnitude of oscillation if a thermistor is employed, as shown, to make the gain of the second, inverting, amplifier stage dependent on the amplitude of the input signal. However, there is, in practice, a small snag with such an arrangement, and that is that the inverted negative-feedback signal applied to the input of A_1 will suffer an additional phase error due to the internal time lag within A_2 , and this will cause unwanted h.f. instability if '3rd generation' high speed op.-amps. such as the CA 3140, or the 1741 S, are used in the realisation of this circuit.

It is, fortunately, an easy matter to resolve this difficulty if the circuit is recast in the form shown in Fig. 5, in which the negative-feedback signal, equivalent to $-E_y$ in Fig. 3(b), is derived from the amplifier A_1 , and the positive-feedback signal is obtained from the output of the second inverting amplifier A_2 .

This configuration offers several significant advantages.

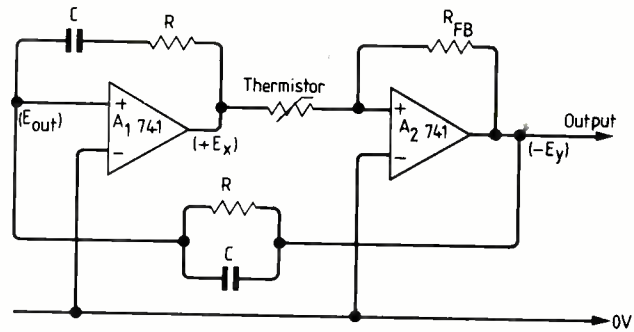
- The input signal to A_1 is extremely small, since it is only required to be $E_{out}/2M$, where M is the open-loop gain of A_1 - typically 100dB for a good modern op.amp. i.c. - and, as pointed out by the author in an earlier article², with semiconductor amplifiers the non-linearity of such devices is essentially an input characteristic, dependent on the magnitude of the input signal.
- The second-stage amplifier is operated as a shunt-feedback element, and the non-linearities of such a stage can be shown to

be significantly lower, because of the very small input-signal amplitude and the absence of any internal transfer errors between the inverting and non-inverting inputs, than is the case for an identical amplifying element in a series-feedback configuration.^{3,4}

- The time-delay errors in the second amplifying stage (A_2) no longer contribute to loss of stability in the system, but only to a very small compensatory shift in the

operating frequency of the oscillator. Fast response-speed, high h.f. gain op.-amps. can therefore be used without problems.

For these reasons, it can be expected that the residual harmonic distortion of this oscillator design will be exceedingly small, and measurements on two prototypes have indeed shown this to be the case. So far as can be determined, the residual distortion - almost exclusively



Figures in brackets refer to diagram 3b

Fig. 5. Final form of new configuration in low-distortion oscillator

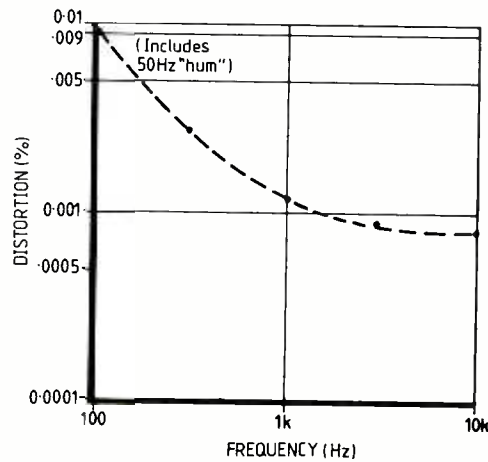
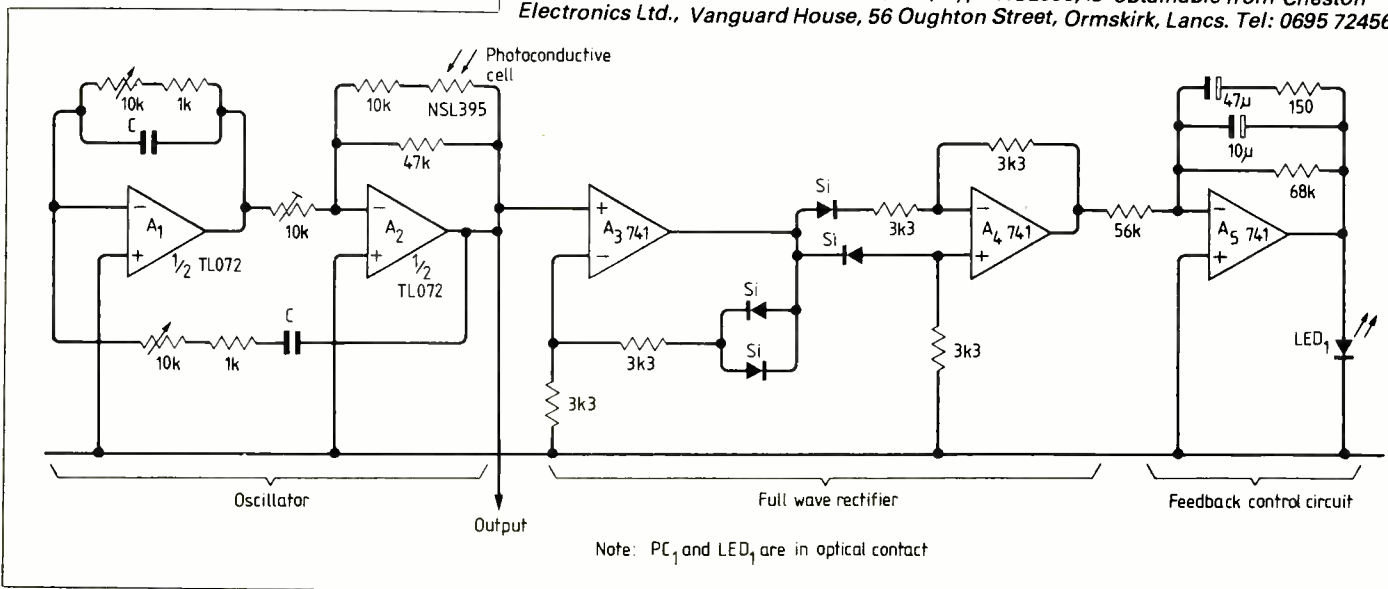


Fig. 6. Measured total harmonic distortion of improved oscillator of Fig. 5

Fig. 7. New oscillator with external optoelectronic amplitude-control circuit. Silonex (formerly National Semiconductors) cell, Type NSL395, is obtainable from Cheston Electronics Ltd., Vanguard House, 56 Oughton Street, Ormskirk, Lancs. Tel: 0695 72456



third harmonic — is that due to the dependence of the resistance of the thermistors used to control the amplitude of the oscillation on the instantaneous value of the signal potential applied to them. This characteristic of oscillators with averaging control systems has been analysed by Robinson⁵ who suggests that the distortion of such a system, which is shown to be mainly third harmonic, will be

$$\frac{x_3}{x_1} \approx \frac{1}{8\eta} \cdot \frac{A_0 - \eta}{\eta} \cdot \frac{1}{2\pi f T}$$

where $(A_0 - \eta)/\eta$ is the fraction by which the low-level loop gain exceeds the gain required to initiate oscillation, and T is the time constant of the control system (thermistor or similar). In the case of a Wien-bridge oscillator, $\eta = 3$.

This equation indicates that if the feedback amplitude is very little above that required to sustain oscillation — which is implicit in the design — the residual distortion will be dependent on the time constant of the control mechanism. By the use of series and parallel resistors of appropriate values with the thermistor, this can be made to control the amplitude of the oscillation at a resistance value which is only a little less than its room-temperature value. Under these circumstances, the settling time of the amplitude is long — perhaps 3-4 seconds at 1kHz, but the t.h.d. will be very low. The penalty incurred in this type of adjustment, apart from the obvious inconvenience of a relatively long settling time following any disturbance, is that the two gangs of the potentiometer used to control the operating frequency of the oscillator must be reasonably well matched in resistance value across the adjustment range, and also, if switched capacitors are used to provide step changes in frequency sweep, the ratios of their values must remain the same.

However, this is merely a statement of the obvious, that it is a pointless exercise to try to design high-performance equipment using low-performance components. Nevertheless, within the limitations imposed by the use of a thermistor as the stabilizing element, the performance of a very simple oscillator, built around a dual operational amplifier (a Texas Instruments TL072), is very good, as is shown in Fig. 6. The total harmonic distortion from this arrangement, in which the resistors associated with the thermistor were adjusted to give a settling time of 5 seconds at 1 kHz, and an output voltage of 2 volts r.m.s., is lower than that obtainable from any other simple Wien-bridge oscillator (that is to say with the exception of systems with low-pass output filtering) known to the author. This distortion is almost exclusively third harmonic — decreasing with frequency — which implies that the source of this waveform distortion is the instantaneous change in gain of the system, during the excursion of each half sinusoid, due to the limited thermal inertia of the thermistor.

The very high performance obtainable from such a circuit encourages the consideration of alternative methods of amplitude control such as that employing a

photo-conductive cell and the light-emitting diode combination shown in Fig. 7, in which the time constant and other dynamic characteristics of the control circuit can be optimized by a suitable combination of proportional, integral and differential (p.i.d.) adjustment to the gain of the control circuit (A_2). Needless to say, the photoresistive element should be chosen to have a very low voltage coefficient of resistance and an adequate response speed to avoid the introduction of a further significant time delay into the control loop.

Leaving aside the question of the means employed to control the amplitude of the output signal (which imposes limitations of an identical kind on any oscillator system, in terms of the settling time, and the influence of the control time constant on the harmonic distortion at any given frequency) the improvement in performance given by the circuit design shown in Fig. 5 over that obtainable from the more conventional arrangement shown in Fig. 1, suggests that it would be sensible to regard the improved circuit as a general replacement for the earlier system in all future designs.

References.

1. Linsley Hood, J. L., *Hi-Fi News and Record Review*, March 1975, pp 63-67.
2. Linsley Hood, J. L., *Wireless World*, Sept. 1971, p 437.
3. Linsley Hood, J. L., *Wireless World*, Jan. 1973, pp 11-12.
4. Taylor, E. F., *Wireless World*, April 1973, p 194.
5. Robinson, F. N. H., *Intl. J. Electronics*, No. 2 pp 137-148. (1980)
6. Linsley Hood, J. L., *Wireless World*, Sept. 1977, pp 40-42

The impact of new technology at work

More than £90,000 is being made available over three years by two research councils for studies into the shop-floor impact of the introduction of new technology.

Three studies are planned: on telephone exchange modernisation; on the adoption of a computer-based freight information system in British Rail; and on the introduction of electronic news gathering (ENG) equipment in television.

The Science and Social Science Research Councils are sponsoring the work which will be carried out by the New Technology Research Group of Southampton University. The Group has been formed by engineers and social scientists committed to interdisciplinary research "on the introduction of new electronic and computer technologies at the level of the individual workplace".

The two main objectives of the work will be to explore the process of technological change and to develop interdisciplinary research methods for the problems that arise. The team will be investigating the nature of technological innovation and engineering decision-making in the economic and social context of business organisations; the bearing of organisational structures on the capacity of managers to generate methods and mechanisms for the introduction and control of new technology; the development of union strategies towards new technology; the consequences of technological change for the nature of work and occupations; and the effectiveness of industrial relations procedures in handling new technology issues.

Measuring transient intermodulation

continued from page 47

limiting filter.

The authors are interested in measuring t.i.m. principally to test the effectiveness of anti-t.i.m. measures such as input filters, and to design low-t.i.m. monolithic amplifiers. The availability of a simple and accurate measuring system has already provided useful results, exemplified by the R.I.A.A. preamplifier shown in Fig. 12; a circuit designed around the TDA3210 stereo preamplifier i.c. The filter on the output is intended to minimize t.i.m. in the next stage. This circuit, in terms of traditional parameters, represents the current state-of-the-art in i.c. R.I.A.A. preamps in which the total harmonic distortion is 0.02% at 20kHz. The frequency response is 20Hz to 20kHz ± 0.5 dB and the dynamic range 100dB.

Further reading

- T. Roddam — Calculating transient response, *Wireless World*, Aug. 52, pp. 292-295.
- M. Ojala — Transient distortion in transistorized audio power amplifiers *IEEE Trans. Audio and Electroacoustics*, Sept. 70, pp. 234-239.
- J. R. Stuart — An approach to audio amplifier design, *Wireless World*, August 73, pp. 387-391 — Sept. 73, pp. 439-446 — Oct. 73, pp. 491-494.
- M. K. Vander Kooj — Predicting and avoiding slew-rate limiting, *Electronic Engineering*, Febr. 73, pp. 18-19.
- W. M. Leach — Transient i.m. distortion in power amplifiers, *Audio*, Febr. 75, pp. 34-42.
- B. Sundqvist — Transient intermodulation in amplifiers, *Wireless World*, Febr. 77, pp. 37-39.
- M. Ojala — Non-linear distortion in audio amplifiers, *Wireless World*, Jan. 77, pp. 41-43.
- E. Leinonen, M. Ojala and J. Curl — A method for measuring transient intermodulation distortion, *AES Journal*, July 77.
- E. Leinonen and M. Ojala — Correlation audio distortion measurements *AES Journal*, Jan. 78, pp. 12-19.
- W. G. Jung, M. L. Stephens and C. Todd — An overview of SID and TIM *Audio*, June 79, pp. 58-79 — July 79, pp. 38-47 — Aug. 79 pp. 42-59.
- R. Cordell — Comments on "A method for measuring TIM" and "Correlation of audio distortion measurements". *AES Journal*, April 79, pp. 295-300.
- R. Cordell — Another view of TIM, *Audio*, Febr. 80, pp. 38-49 and March 80, pp. 39-42.
- S. Takahashi, S. Tanaka — A method of measuring intermodulation distortion, *AES Convention*, May 79.
- S. Takahashi, S. Tanaka — A new method of measuring TIM: a comparison with the conventional method, *AES Convention*, Nov. 79.
- P. J. Baxandall — Audio power amplifier design, *Wireless World*, Jan. 78, March 78 and May 78.
- Yuri Miloslavskij — Audio preamplifier with no TIM, *Wireless World*, Aug. 79, pp. 58, 59, 60, 86.
- A. Morando, *Introduzione Analitica alla distorsione d'Intermodulazione Dinamica*, IAF.1 suppl. a "Suono" Aprile 77.
- P. Nuti, *Misure di Intermodulazione Dinamica*, *Suono*, Nov. 77 pp. 115-120.
- R. A. Belcher, An experimental investigation of test-noise signals for the measurement of non-linear distortion of sound signal, BBC report RD1974/2.

WORLD OF AMATEUR RADIO

RAE: useful or lottery?

Some 2100 candidates are reported to have successfully passed the Radio Amateurs' Examination held last December. But despite this, this particular examination, more than any other that I can recall, has raised serious doubts about the overall fairness, effectiveness and true purpose of the RAE in its present form. Has it, people are asking, since the adoption in 1979 of the multichoice form, become little more than a lottery conducted in secret? Are those now holding the prized RAE "Pass" certificate, with or without "credit" endorsements, really so much better qualified to operate a radio transmitter than those who were unlucky enough to fail? Amateurs have not been slow to point out that RAE-alone restricts operation to 144MHz and above – the new c.b. permits, without examination, will provide speech on 27MHz.

The City and Guilds of London Institute, responsible for RAE, appears to have established a "pool" of questions from which papers for the twice yearly exams are composed; they therefore attempt to restrict circulation of genuine papers. It is only by good fortune that the December set has come my way, all 35 questions of Part 1 (mainly on licence conditions) and the 60 more general questions of Part 2. I am not impressed.

As noted in the February WoAR, C and GI recognised that one question could not be answered correctly; but it is now clear that this was not the only mistake. Among several extremely dubious and ambiguous questions there was yet another (Part 2, question 14) in which all the four "answers" are unquestionably wrong due to the printer having made capacitive reactance equal to $1fC/(2\pi)$ instead of $1/(2\pi fC)$! Several questions on radio propagation are confused, while what does one make of Question 58: "A standing wave meter is used to check: (a) stability of the oscillator; (b) efficiency of a transmitter; (c) resonant frequency of an aerial; and (d) operation of the aerial feeder"? That appears (at least to me) also virtually unanswerable.

One finds two questions (Part 2, No 6 and 11) devoted to calculations involving coulombs and microcoulombs. Yet how many amateurs ever find it necessary, or even useful, to be able to do this? In 45 years (without the benefit of an RAE) I have not needed to worry about such quantities of electricity.

Agreed that one purpose of RAE is to check that candidates are likely to benefit from the "self-training" of amateur radio: but surely not by erecting such dubious barriers? Yet the current syllabus requires *no* knowledge of the valves still used in the vast majority of amateur h.f. transmitters

which, with high voltages, call for an appreciation of suitable safety precautions.

Again, with mistakes and ambiguities in the papers who can be sure that the "marking" may not be suspect? What are the pass marks? And how do these compare to the *average* probability of a candidate picking up 25 per cent by picking answers with a pin – while a "lucky" candidate, by the laws of probability, could end up with an appreciably higher "pin-score"? To try to counter this, the examiners appear to have tried to make at least some questions unduly difficult or obscure or (for Part 1) to expect candidates to commit to memory every minor detail of the licence conditions, rather than to show sufficient knowledge of needing to refer to the licence itself before attempting such modes as slow-scan tv, etc.

In 1946 the licensing authority (then the Post Office) handed responsibility for RAE to C and GI, with its long-established reputation for conducting examinations, aided by liaison with the RSGB. The Institute should examine seriously the present state of this multichoice examination, if only for the good of its own reputation, and even if 2100 people had the good "luck" to pass.

Long-path "transequatorial"?

A new twist to the unfolding story of transequatorial and chordal hop propagation has been given by the Greek amateur SV1DH. On February 16, signals were received in Athens from Zimbabwe on both 50 and 144MHz, and from South Africa on 50MHz. But he found these signals were audible *only* when his beam was pointing northwards. This makes it look as though they were arriving via the "long path" round the other side of the world and passing close to both Poles, and presumably involving some form of layer entrapment even at the very high frequency of 144MHz. On the same day, ZD8TC in Ascension Island and KP4EOR in Puerto Rico are reported to have made contact across the South Atlantic on 144MHz, yet another curious example of East/West transequatorial v.h.f. propagation.

Up the Amazon

A recent BBC2 series "Travellers in Time" featured original film of famous expeditions of the 1920s and 1930s. One programme was on the Hamilton-Rice expedition to the Upper Amazon, one of the first expeditions ever to take along an h.f. transmitter (shown in several sequences of the original film) and run from a 100-watt petrol-electric generator.

Turning to *Wireless World* of February

11, 1925 one discovers that the first British amateur to make contact with this station (SA-WJS) was the famous Gerald Marcuse, G2NM. Expedition operator J. Swanson was using a one-valve transmitter with an output at the time of only 13 watts to a "T" aerial. G2NM was told: "Your signals come in very strong on detector alone using counterpoise as receiving antenna". It is doubtful whether it would be possible to repeat this today, with so much more interference!

A few days before, on February 1, 1925, another pioneer South American amateur, Carlos Braggio, CB8, Argentina had made the first contact with a British amateur: this time E. J. Simmonds, G20D. During this contact official messages were sent from CB8 to the RSGB and also to *The Times* – something that today would be much frowned upon as representing third-party traffic.

Here and there

The first British-built amateur radio satellite – the UOSAT project at the University of Surrey – is nearing completion and is scheduled to be launched from California into a polar earth orbit at a height of 530km on or about September 15, 1981. A report from Dr M. N. Sweeting, G3YJO, the project manager, indicates that there should be few major difficulties in clearing the final hurdles.

The RSGB are continuing to view the Home Secretary's decision to legalise 27MHz CB operation "with deep concern" although recognising that frequency-modulation will "to some extent help reduce interference problems".

The IARU Region 1 Triennial Conference is being held at Brighton from April 27 to May 1 with a crowded agenda including many band-planning and other operating recommendations to discuss. A station will operate with the callsign GB1IARU.

Mobile rallies include Midland & Stoke-on-Trent at Drayton Manor Park near Tamworth on April 26; Southend Airport Exhibition Centre on April 26; Maidstone Y. Sports Centre, Cripple Street, on May 3; Northern Mobile Rally, Victoria Hall, Victoria Park, Keighley on May 17; and East Suffolk Wireless Revival, Ipswich on May 24.

Hull University is to bestow an honorary MA degree on Brian Rix, G2DQU . . . Trisha Day, G4KYY in Saltash, Cornwall is the first "XYL" to be appointed a GB2RS newsreader . . . The French society REF has run into severe financial problems . . . A Californian amateur, K6RO, is reported to have contacted (and received confirmation of) 200 different countries in 200 days.

PAT HAWKER, G3VA

LETTERS TO THE EDITOR

ENGINEERING EDUCATION

Professor Bell raises again the question of 'fundamentals' in an engineering education (January issue). In the particular case of electronics engineers, the almost universal academic assumption is that the fundamentals of the subject are essentially physics and maths. Before abolishing engineering schools, however, should we not observe that almost the only constant factor (since the 1930s anyway) has been circuit engineering and circuit design principles? The circuit 'greats' of that era would adapt quite quickly to, say, m.o.s. dynamic logic. My own basic education over 20 years ago at Newcastle-upon-Tyne is still relevant in this area. The physics and maths of the subject have, of course, changed completely!

Incidentally, another good case can be made for teaching engineers basic sales techniques. Even the pure researcher is stymied if he or she cannot sell the idea to be worked on.

R. C. Foss
Mosaid Incorporated
Ottawa, Canada

I am not surprised that Professor Bell is concerned about the education of electronic engineers (January issue).

Since the great expansion of higher education in the 1960s was not of course matched by a corresponding increase in the number of 'high-fliers' seeking engineering qualifications a large number of school leavers of limited academic potential and with indifferent A-level results has been admitted to honours degree engineering courses: entrance requirements simply had to be reduced to fill the increased number of places made available.

Having struggled through the course with limited benefit and obtained a pass or poor honours degree these graduates have neither the potential to become innovative leaders in their profession nor the practical training to become good technician engineers, which in any case many might feel would be 'beneath' them. Meanwhile the HND courses have been deprived of many suitable applicants.

Currently industry requires a small number of highly innovative professional engineers, together with a large number of technician engineers to support them. What it is presented with is a lot of people who have been exposed to enough education to imagine they are truly professional engineers and unwilling to think of themselves and unable to perform well as technician engineers, while the supply of good technician engineers from HND courses has been severely curtailed.

This in turn might lead to a more serious social problem. If universities and polytechnics continue to turn out greatly increased numbers of engineering graduates with high expectations into an industry which cannot absorb them into constructive employment then the graduates may coalesce into an indigestible lump of discontent in the heart of the profession — some will say this has already happened. Arts graduates at least have the advantage of knowing that their qualifications are generally non-vocational and do not have such high expectations of related employment and job satisfaction.

The solution must be to reverse the expansion

in higher education and curtail the number of places on honours degree engineering courses to match the limited number of opportunities in industry for engineers of this calibre. Keen competition for places will ensure entrance requirements are raised to the level required for entry into other professions, such as law and medicine, and contribute to enhancing the status of the profession. Courses for technician engineers could then be expanded to meet demand, confident of a supply of suitable applicants.

Me? Well, I left school with a 'D' and 'E' at A-level and much to my surprise was offered a place on an honours degree electrical engineering course. Qualified, and equipped at least with Professor Bell's "enthusiasm for getting things done properly" I have spent the last eight years drifting from employer to employer looking for the one that was interested in "doing things properly". All they seem to want to do is to make money — strange, isn't it?

John Harvey
Darlington
Co. Durham

The author replies

The difference between Dr Foss and me lies in the assumption of what constitutes "fundamentals". Surely circuit design principles are fundamental? It is not a topic in which I have specialised, but I suppose that circuit design consists of two parts: the first step, to obtain the desired frequency (or time) response and gain, is abstract and mathematical (one is even allowed to introduce things like ideal gyrators); but the second, which may be briefly described as "tolerancing", is to see whether the abstract design can be adequately approximated with available components. The first step is fundamental but the second is technological, since the tolerance on initial values, possibilities of adjustment and stability of the components will depend on whether one is working with discrete components, thick film circuits, integrated circuits or whatever the future may bring forth. Yet the general idea of tolerancing is a fundamental principle.

As regards changes in physics, I can only say that over the past 20 years I have been very grateful that I was introduced to the rudiments of wave mechanics before the transistor was invented. "Mathematics" covers such a vast range of topics that not even professional mathematicians cover all of them: on one occasion a mathematician whom I asked for help replied "There is only one man in the country who can help you with that problem." (The one man in question did get the problem solved.) All the engineer can hope to learn is a few currently useful techniques and enough basic principles and notation to enable him to seek specialist advice when needed.

Engineers recoil from the idea of "sales techniques", thinking it means persuading a customer against his better judgment. If instead it means presenting one's case in a readily understood form, it is part of the art of communicating which everyone believes in; but does it need a university course to teach that a case to be presented to higher management for the support of a project should not be written in the same form as a scientific paper recording the theory and past experimental results?

On the whole I agree with Mr Harvey. But who encourages school leavers of limited academic potential to apply for university places? The schools? The Government, in implementing the Robbins recommendation of giving a grant at a level of two Es? Each university or polytechnic department makes its own choice of the level between four As and two Es which is prima facie evidence of acceptability. As I am not now responsible for such a decision I do not want to comment on what is a suitable level, beyond saying that I do not think any department with which I have ever been associated has accepted D,E as a prima facie acceptable qualification. (One must make occasional exceptions for illness etc.)

For remedial action, adaptability may be better than determination to stick to engineering. Some firms advertise appointments for which the qualification is "a degree in any subject": an engineering graduate should be just as eligible as an arts graduate.

As regards the need of industry for a small number of highly innovative professional engineers, see the Finiston report and the current action of the IEE in accrediting university courses of high standard.

D. A. Bell

BATTERY MARKINGS

In the article 'Battery powered instruments' in the February issue, the author remarks that "we can expect UK manufacturers to follow suit (in adopting IEC designation) in the next year or two".

I would like to point out that Berc (Ever Ready), the largest manufacturer of Leclanché (zinc-carbon) batteries in the UK, have been producing batteries in the most popular sizes with dual nomenclature (Ever Ready/IEC) since July 1979. New battery types introduced since then use the IEC designation only and, obviously, it is our future object to label all batteries in this manner.

We too regard the ending of company and national size coding as most desirable.

D. H. Spencer
Berc Group Limited
London N15

DIGITAL ELECTRONICS TEACHING

In a letter published last November I charged colleges and faculties with refusing to teach the rudiments of digital electronic design. In March, Dr F. D. Cocks asked me to reveal all about these rudiments.

Although it is difficult to publish material which is not already part of college courses because the text book publishers rightly fear they might make a loss on the project, my colleagues in CAM Consultants and I have succeeded in publishing much of the material in question. No college or faculty I know of teaches any of the very important content of our book *Digital Hardware Design*, pub. Macmillan 1979. For our other books, see the list of books in print at any library and look under my name.

Ivor Catt
St Albans
Herts

TELEVISION SETS FOR THE DEAF

The recent correspondence on tv sets for the deaf could lead many hearing impaired people to believe that the problem of hearing the tv sound can be overcome by the acquisition of a television set with headphone facilities. This sadly is not the case.

The headphone facilities provided on most tv sets do not give sufficient output to benefit many hard of hearing people, let alone those with a more severe hearing loss. The relatively high values of resistance wired in series with these sockets would indicate that the output is intended to give a comfortable listening level through headphones for those with normal hearing, making them useless for many hearing impaired people.

In order to hear tv sound it is very often necessary for those with hearing difficulties to have the audio output of the set taken from across the loudspeaker terminals through an isolating/matching transformer to an output socket, thus enabling them to use headphone, tv listening aid or audio frequency induction loop system. This modification has to be carried out at considerable expense to those who sometimes can least afford to pay.

Surely it is no more expensive to provide a high level of headphone output. The value of series resistance need only be sufficient to protect the audio output stage against short circuit.

Apart from the benefits to deaf people, others may wish to connect a higher quality loudspeaker to improve the tv sound and those wishing to use headphones could use a headset which incorporates volume controls.

R. F. Power (Technical Officer)
Royal National Institute for the Deaf
London WC1

SCIENCE AND SOCIETY

I would like to support strongly the basic tenor of your editorial in the November 1980 issue entitled "Microchips and megadeaths" which stresses the position of electronics engineers as a part of weapons production. However it is not just within the field of arms development that the scientist plays a crucial role. An understanding of the position of science and scientists within society is vital for all people as science now permeates the lives of everyone. Given a realisation that science is inextricably linked to the society within which it exists then we must act to ensure that science serves the people as a whole. Everyone should be involved in deciding what science should be pursued by society and how. This means that society itself will have to be changed.

I would like to bring it to the attention of your readers that there already exists an organisation that is concerned with these kinds of questions: the British Society For Social Responsibility in Science. To quote from the BSSRS policy statement: "Science is not neutral. It cannot be separated from politics. It both reflects and helps to determine the values of society The claim that science is neutral is itself a weapon of mystification and domination. The hierarchical nature of science together with the jargon of science ensure that scientific knowledge remains accessible only to a small minority. Social and political decisions are taken behind a smokescreen of scientific 'objectivity' We are committed to fighting for the use of science and technology by and for the benefit of working people, to demonstrating the politi-

cal content of existing science, and to furthering links between scientific workers and the rest of the labour movement."

As part of this BSSRS publishes a quarterly magazine called *Science for People* and has a network of local groups, of which Edinburgh Science for People Group is one. Further, there is a number of 'work hazards groups' and a *Hazards Bulletin* is published every two months as well as occasional booklets being produced. There are also several groups concerned with particular areas including, among others: agriculture, microprocessors, energy, sociobiology, hospital hazards, radiation hazards, women and work hazards, science teachers, health, statistics.

BSSRS may be contacted at 9 Poland Street, London W1; all will be very welcome, whether scientist or non-scientist. If you are really concerned about the role of science and technology within society then join us. As the November editorial indicated, the future existence of humankind is at stake.

Alan Beard
Edinburgh Science for People Group
University of Edinburgh

BATTERY COMPARISONS WANTED

I am writing to say how helpful and informative I found Ian Hickman's article on battery powered instruments in the February issue. The information given in the tables showing estimated service life of various layer type batteries was especially useful and I wonder if you could supplement this article by persuading one of your contributors to compile a survey of the various different types of cell now available.

For instance, my camera and digital watch both use silver oxide cells. But it is possible to buy mercury hearing aid cells of the same size for a fraction of the cost. There are also alkaline and rechargeable silver/zinc cells. What are the comparative merits of these various types?

In the conventional zinc/carbon types there are Super cells, High Power cells, battery clock cells, and Power Plus cells. A comparison of these types with alkaline and nickel cadmium rechargeable cells would be useful.

If you could arrange to publish an article along these lines I am sure that many other readers who are as confused as I am about the choice of battery type would find it of great benefit.

W. A. Klos
Harrow
Middlesex

'JUST DETECTABLE' DISTORTION

As a sound recordist in the largest film unit in the world, I have listened to a lot of distortion in the last twenty years, most of it self-generated, so I was very interested to read James Moir's article on 'just detectable' distortion in the February issue.

I was pleased to see "continuous sine waves" discarded early in the article, only to be dismayed by their resurrection on the last page. There is no such thing as a continuous sine wave, but we can fool ourselves into believing in them as our brains can forget what happened when we switched on. Substituting a sine wave of an arbitrary frequency in order to measure, approximately, the equivalent harmonic distortion of a music signal is like taking out a loan of £100 then working out the interest in Altarian Dollars without knowing what the exchange

rate is. Any attempt to deduce one from the experiment is sitting on the tree branch one is sawing off.

The actual total harmonic and intermodulation and other distortions (see below) can of course be measured by subtracting input from output and dividing by input, but here we start revealing the mathematical snags; do we use the peak levels, an average level, or a continuously variable level and extract the peak value of distortion as the most significant? All of these approaches are valid in differing circumstances; for instance, with crossover distortion at an inaudible 0.1% at peak level, this becomes 3.2% at -30dB, where the ear can be extraordinarily sensitive in the gaps between words etc. It is at these levels that reverberation and so on colours the whole acoustic image.

It is comfortable to think that an "exchange rate" exists between "continuous" sine wave distortion and reality, and this is good for hi-fi salesmen, but can I just list some factors not covered by this and the other parameters usually quoted such as noise and frequency response: transient intermodulation; transient clipping (undetectable as t.h.d. but removing a lot of the energy from the transient, softening it); compression, often deliberate but also inherent in the magnetic recording process; modulation distortion, often classed as noise but not measurable as such; loudspeaker Doppler distortion; and phase distortion.

This latter one is usually regarded as inaudible from tests done with (not again!) sine waves, and, up to 90 degrees, probably is. But it is cumulative, and by the time a signal has been analogue recorded twice (with tv film this can be up to eight times), some frequencies can be shifted more than 360 degrees, causing ringing on transients. This is nothing to do with frequency response, and is, I believe, the source of the "Rice Kellogg sound" of flapping paper inherent in even the best of moving-coil loudspeakers, which all sound quite different.

Mr Moir was trying to find what levels of distortion were just detectable with an already distorted signal, and I suppose this is valid with all commercially produced analogue recordings containing many percents of harmonic distortion, but it does introduce yet another imponderable, and is probably why figures for JDD varied from 0.01% to 5%, rather a large spread.

If one is to be indissolubly wedded to t.h.d. measurements, to ensure standardisation, maybe the answer is to substitute a different signal for measuring purposes. Now the most critical source to record is not music - as the most diabolical liberties are taken with the fidelity of reproduction of most music, making it sound better - but the human voice, which cannot be undetectably reproduced, compared with the original. (Try it, behind a curtain, with the best of equipment.)

If the one is too critical, and the other not enough, and neither steady enough for easy measurement, some synthetic signal is called for, and white noise, generated by a pseudo random binary sequence may prove a basis for this. It contains all components of interest, including transients, can be split into frequency bands for harmonic and enharmonic distortion measurement, and can be made cyclic so the same sequence can be used for all tests. I have experimented with top quality tape recorders and found p.r.b.s. white noise always sounds different on replay when A-B checked with the incoming. I then went on to try very short sequences, finishing up with a twenty pulse digital train . . . 11100010101010101010 . . . which contains more harmonics than one would ever need, based on a musical major chord. The transients in it show up the inadequacies of the

best tape recorders on a 'scope, which also reveals shocking phase responses. Harmonic distortion can be measured using a low pass filter first, then a high pass, and intermod distortion can be measured by removing one or more of the fundamental or low harmonics, and measuring what comes back. As an audible check, it is very critical and gives a good stereo image, lacking with sine waves. My fundamental was at 87.3Hz.

If one takes, as a criterion for assessing 'just detectable' distortion, the human voice beside a loudspeaker behind a curtain, it may prove just too critical a test, and my guess is, even with the best electrostatic speakers and a steady state system distortion of less than 1%, various forms of compression distortion are going to be the bugbear. If one thinks of varying levels as having the effect of changing the acoustic image distance, which is how it sounds, then clipped transients, for instance, may make *rs* and *ts* come from the back of the head, and a loud word audibly propel the speaker's image back a metre or so, instantly. If this is not distortion, then what is it, as it is generated by non-linearity in the overall transfer characteristic?

I'll bet you any number of Altarian Dollars, at the usual exchange rate, that Mr Moir has not found the ultimate answer to distortion levels. (Nor even the ultimate question?)

Dave Brincombe
Stanmore
Middlesex

The author replies:

Mr Brincombe rightly raises objection to the use of total harmonic distortion as an indication of all the subjectively judged distortions, and I would join him in this, but the contribution did not suggest that t.h.d. should be so used. Nevertheless all the international standards use this criterion as the best single measure of 'distortion' and as these standards are the result of the deliberations of hundreds of eminent engineers their views must be given due weight in coming to any decision on what criteria should be used.

My contribution was aimed at co-ordinating the previous data on 'just detectable' distortion with the more recent findings, including those of our own investigations. As the majority of the earlier data was in the form of harmonic distortion quotations I had to conform in order to make comparison possible. I doubt whether any professional engineer believes that t.h.d. figures are an accurate indication of the total distortion when this is subjectively judged, but I know of no evidence that t.h.d. is not the best indication currently in use to express the distortion performance of professional amplifiers.

Considerable experience appears to show that the 2nd and 3rd harmonics comprise almost all the distortion components in professional quality amplifiers. It is very easy to find signal waveforms that sound different at the input and output of even very good amplifiers, but to the best of my knowledge there have been no attempts to co-ordinate the objectively estimated distortion using these waveforms with the quality deterioration when the amplifier is used for reproducing music and speech. White noise, pink noise, tone bursts and d.c. pulses are a few of the test waveforms that have been used, but few supporters of these have taken the precaution of limiting the test signal bandwidth to the audio band. The use of test signals that overload the amplifier at frequencies well above the audio range produces audible effects inside the band but this is no indication that these effects are present when the test signal bandwidth is limited to that characteristic of speech and music.

The relatively simple and well understood harmonic distortion measurement techniques have almost all the advantages, except where the assessment must be made at frequencies near the upper limit of the system bandwidth. Two-frequency intermodulation tests have many advantages when working near the upper frequency limit but are of little value for tests near the lower frequency bandwidth limit. It seems unlikely that any single test will ever be produced that will assess all the distortions that occur in a system. Distortion measuring techniques have to be selected to be the most effective when used to measure the particular distortion being investigated.

Mr Brincombe's comments about the audible effects of phase distortion are grossly exaggerated. Could I suggest that he re-reads the contribution on this subject in *Wireless World* dated March 1976? Similarly I do not think that there is any evidence that continuous sine wave test techniques and the amplifier design procedures based on such tests are inadequate to ensure a good performance in reproducing transients. However, the writer raises such a large number of red herrings that it is impossible to discuss each of them in any detail. Perhaps he could look up the July 1978 issue of *Wireless World* dealing with the subjective comparison of three amplifiers, one of the valve type and two transistor designs. Between the three of them they included almost all the design points criticised by Mr Brincombe and yet a skilled listening panel was unable to differentiate between them.

James Moir

PARALLEL-TRACKING PICKUP ARM

I am pleased to see Mr Gutteridge has realized the excellent performance which my parallel-tracking arm design is capable of achieving (January letters), but I am surprised he has had to resort to a lathe to make the nylon slider and the pulley wheels. The latter are available from model shops - the most useful being those manufactured by Ripmax, reference numbers N906 (1/2in dia.), N907 (3/4in. dia.) and N908 (1in dia.).

The nylon slider (which replaced the original brass/steel one) is not supplied as a ready-made part in the kit offered by J. Biles because it has to be individually fitted. However, it is so soft that it can be easily shaped with a sharp knife, and I have made several of these quite accurately using an art knife and a small file.

As for the rubber belt drive, this is essential for decoupling the motor/gearbox from the rest of the mechanism, otherwise noise will find its way to the pickup. It also provides a good deal of latitude for the mounting position of the motor/gearbox, and is most tolerant of alignment errors. The "lossy" expanded-neoprene drive bands supplied with the kit gave outstanding isolation from vibration, so there need be no qualms about this method of driving the lead screw.

As there have been many improvements to the design since it was first published, I hope to offer a follow-up article later. This will include a design of gearbox which allows rapid forward and reverse tracking, which has been called for by the majority of constructors, who want a more flexible and faster operation. The original design had a leisurely return time of 2 minutes; this has been reduced to a few seconds.

Rod Cooper
Lichfield
Staffordshire

COMPUTER ARCHITECTURE AND PROGRAMMING

Your editorial "The new bureaucracy" (February 1981) contains much that is true, but also much that is both false and silly.

It is true that the "von Neumann" architecture is a millstone round the neck of technology. But so is the internal combustion engine, and they both remain with us for much the same historical reasons. Please do not think that computer systems engineers are unaware of this: in fact, much work has been done, in university departments and in industry, to try to evolve new architectures.

The von Neumann architecture was indeed copied into today's microprocessors. But the early microprocessors were designed by electronics engineers who did not know that computer systems engineers might have advised them otherwise. I say "might", because it would have been premature in the early 1970s. We are likely to see new architectures appearing in microprocessors in the mid-1980s.

The hatchet-swinging in your final paragraphs is somewhat undirected. If I may mention university courses in computer systems engineering (often called "computer science" for bureaucratic reasons), it is certainly not the case that we produce, or wish to produce, "uninformed programmers" for a "technically uneducated parasitic bureaucracy". We never tire of telling applicants from schools that computer systems engineering is *not just programming*. Such courses consist of theory, computer systems design, and computer applications. Theory needs no excuse. Computer systems design consists of both hardware and software, taught in an integrated way. Computer applications are studied so that our students, who are *not* "ignorant of the technological nature of their machines" can go on and take a genuine and informed "interest in the customer's real problem, for which he wanted a mechanised solution".

W. Freeman
Department of Computer Science
University of York

You use your February editorial comment to attack my trade (computer programming), and that of railway information staff, with some venom. I do not propose to reply in vitriolic kind, nor to be drawn into pained self-justification - for which I contend there is no need; but I must contradict some of the supposed facts of your argument:

Firstly, it is not "the programmer class" which dictates the architecture of computers, but a mixture of history (most of us don't have this year's model), government procurement policy, what management thinks it wants and, above all, what technologists tell management it can have.

The last constraint leads to my second remark: to knock the von Neumann architecture is no more than a cheap smear unless you are offering a worthwhile alternative; yet in this matter you make no suggestions. To be sure, we have the ICL DAP, but the price of such systems, while not unreasonable, is hardly such as to make them an appropriate architecture for the microprocessor market. Moreover, a substantial number of the programmers whom you so despise are presently trying to find ways of applying this equipment to problem-solving - a task substantially more complicated than applying a von Neumann machine. And thence arise my final remarks.

Problem-solving by machine is a mechanical,

not a magical, process; it is and will always be necessary to devise a method of solution and express it as a list of steps (not necessarily all sequential). At present this process is done by programmers, who, far from nurturing the "parasitic bureaucracy" you picture to your less-informed readers, have been and are notably active in devising means to mechanise ever more of the programming process, and to render the non-mechanical parts more accessible to the non-specialist (their success is attested by the transformation of the computer from academic toy to commercial tool).

Finally, this need of programming drastically (and rather obviously) undermines your argument. How, without "computer science on your back", do you propose to harness the "massive potential for social benefit" of digital electronics? Its greatest software-free contribution to the public good so far, apparently, has been the inestimable boon of the digital watch.

Without obsequies,

John Fraser
Liverpool 8

I find that ill-informed and destructive criticism is too often voiced by certain engineers about engineers of other disciplines. The prejudices behind these attacks build artificial barriers. These prevent many individuals gaining experience outside their immediate field. They disrupt the design of complete systems, lead to poor understanding, and inhibit vital cooperation.

That certain malcontents should air these views in private is regrettable. That *Wireless World* should give one editorial space is unforgivable.

Ian Miller
Leatherhead
Surrey

IS LIGHT VELOCITY A CONSTANT?

Michael M. Albahari (MMA) correctly argued in February letters that one does not need to carry out experiments in order to expose the flaws of relativity. The relativists, however, have developed a diabolically flexible logic, by which inconsistencies such as $A=B$, $A \neq B$ can be comfortably accommodated.

Unfortunately, MMA's analysis of his proposed experiment suffers from a century-old serious error: In his formulae $t_B - t_A = d(c-v)$ and $t_A - t_B = d(c+v)$ the frame relative to which the velocities c and v are referred is implicitly assumed to be the solar system ($v=30\text{km/s}$ is the orbital velocity of the Earth). Why the solar frame is chosen, nobody has ever explained. Why not the galactic frame? Why not the Jovian system? Indeed, why not the geo-frame? After all it is in the stark terrestrial environment that this kind of experiments are performed. It has been shown¹ that it was this failure to specify the proper reference frame for a correct analysis of these experiments that led to the ill-conceived ideas of relativity. It has also been argued that the heavy burden of the responsibility for this mistake falls squarely on Maxwell².

Maxwell correctly showed that "light is an electromagnetic disturbance propagated through the electromagnetic field according to electromagnetic laws."³ Maxwell had earlier defined the electromagnetic field as "that part of space which contains and surrounds bodies in electric and magnetic conditions." On the basis of these statements one must conclude that the media through which light and electromagnetic signals (involved in terrestrial experiments) are propagated, are the electromagnetic fields that

contain and surround the Earth. So the orbital velocity of the Earth cannot possibly enter into the theoretical analysis of these experiments; and the velocity of light $c=300\,000\text{km/s}$ must (in these experiments) be referred to the geocentric, and no other, frame. For the electromagnetic fields of the Earth, through which light is propagated, are firmly tied onto the Earth, not on the Sun, or Jupiter, or else. Maxwell and all his followers⁴ failed to draw these simple conclusions - with literally tragic consequences.

So in MMA's formulae one must put $v=0$ and thus $t_B - t_A = t_A - t_B$. But this does not mean of course that c is constant relative to *any* frame as the relativists have stupidly concluded; it simply means that the luminiferous medium - the *geoether*² - is securely attached onto the body of the Earth.

The common man does not demand that an experiment be performed in order to show that the magnetic field of the Earth is firmly tied on the body of the Earth. Numerous experiments (Michelson-Morley, Trouton-Noble, etc.) have already affirmed this inexorable fact in an unambiguous fashion. The relativists, on the other hand, have, for reasons best known to themselves, boldly abolished the geofields altogether; and they dictatorially "establish by definition that the time required by light to travel from A to B equals the time it requires to travel from B to A."⁵ This is not science; it is worse than medieval scholasticism.

T. Theocharis
London SW18.

References

1. T. Theocharis, *Hierarchical Schesis*, Dissertation, Imperial College, 1980.
2. T. Theocharis, "Maxwell's Error", 1980, unpublished.
3. J. C. Maxwell, "A Dynamical Theory of the Electromagnetic Field", *Phil. Trans. Roy. Soc. Lond.* 155, 489, 1865.
4. Except C. A. Zappfe (*Seven Short Essays on $(1-v^2/c^2)^{-1/2}$* , Lakeland Color Press, Brainerd, Minn. 1977), and T. Theocharis (see ref. 1).
5. A. Einstein, "On the Electrodynamics of Moving Bodies", *Ann. d. Phys.* 17, 891, 1905; italics in original.

The velocity of light (February letters) is obviously crucial to navigational systems which depend on the time taken by radio waves to travel over various paths; but when navigation depends on the phase difference of signals received from different transmitters (as in Decca etc.) and moreover the transmitters are widely separated in order to give world coverage by the system (as in Omega) there is the further problem of doing something which appears to be forbidden by relativity, i.e. securing simultaneity of events at widely separated places.

One might hope to achieve this by transporting a standard clock (in practice a caesium clock) from one place to another. But according to the theory of relativity, the rate of a clock will change if it is moved at an appreciable speed and this is so difficult to accept in "common sense" terms that it provides quite a crucial test of relativity theory. One should in fact use general relativity, according to which the rate of a clock depends on the gravitational potential of the point at which it is situated: this has to be mentioned, because the effect of reduced gravitational potential at a height of 10,000 metres is greater than the predicted effect of the velocity of a jet aircraft. Now the velocity effect is calcu-

lated from the special theory of relativity which is based on an inertial (non-rotating) frame of reference; and so if one sends a clock on a round-the-world flight from East to West the rotational velocity of the earth's surface must be added to the ground speed to find the velocity relative to a stationary frame of reference, but subtracted if the flight is the other way.

A pair of papers by J. C. Hafele and R. E. Keating in 1972 (*Science*, vol. 177 pp. 166-168 and 168-170) describe first the theory and second the result of an experiment in which four standard clocks were sent on round-the-world flights, (a) travelling Eastward and (b) Westward. Summarised very briefly, the theoretical and experimental values of the difference in nanoseconds between the flying clocks and a stationary clock were as follows:

	Eastward flight	Westward flight
Theoretical	-40 ± 23	275 ± 21
Experimental, mean of four clocks	-59 ± 10	273 ± 7

Unless someone has since produced contradictory evidence, this seems to be adequate vindication of the theory of relativity, or at least of its use as a mathematical tool.

D. A. Bell
Beverly
North Humberside

FAILURE OF DISTRESS SIGNALS AT SEA

I would like to comment on John Wiseman's letter in the August 1980 issue and John J. Boyd's reply in the December 1980 issue.

The fourth paragraph of Mr Boyd's letter notes the problem of ship design as influencing aerial system configurations. I had arrived at the same conclusion in 1971. I prepared a report on the container ship conversion problem in 1971, where a deck was added, and the antennas were reconstructed from the standard between-the-main-masts wire antenna to a top loaded vertical, and a wire antenna contained in a very small space, by folding it back. Prior to conversion, the vessel was of the "Mariner" class. At present the name of the vessel is the *American Accord*.

On the *American Accord*, and on other vessels, I have had numerous occasions of being unable to obtain any radiation on 500 kHz. I had thought that this was distinctly characteristic of the *American* vessels, since they are on the whole floating junk shops all the way around, and I am much surprised to learn that British ships are so afflicted. As with Mr Boyd's experience, I find that it appears that the steamship companies and the radio companies, who are licensees of the stations, seem to want to preserve the junk shop condition into perpetuity.

If it could be ascertained that the disappearance of the *Poet* without signal could be accounted for by inability to produce radiation on 500 kHz, I would not be surprised in the least.

Kenneth Cossaboom
Windham
New Hampshire, USA

Multiplex keying for organs. In the letter by L. W. Ellen in the April issue (p. 55) the fourth line in the middle column of the page should read "Widor Toccata uses just over half the capacity . . ." Apologies for a printing error which drastically altered the meaning.

ROBOTICS AND ARTIFICIAL INTELLIGENCE

I was delighted to see the interesting article by Malcolm Peltu on artificial intelligence in your January issue. It was some time ago that the Computer and Control division of the IEE set up a professional group on robotics. This reflected the increasing awareness among engineers and scientists in the UK that development of robotics could play a key role in advancing British industry and technology. In *IEE News*, September 1980, Member of Parliament Mr G. Roberts admitted that Britain needs massive investment in robots and mentioned a figure of £350 million. Is this enough?

It was also pointed out that the countries leading in this branch of the technology are somehow finding more money for this purpose, e.g. West German research projects in this field exceed £10 million a year. Robotics in the UK is lagging behind if compared with activity in the USA, Japan, West Germany, Italy and Sweden, where this, together with other fields of technology, is receiving considerable support.

A competitive industry in electronics and related fields of technology has always existed in the UK. Why shouldn't we keep it this way? Examples given by Mr Peltu in his article reflect the willingness of British researchers to put the UK a step ahead. Unfortunately this is not enough. To close the existing gap, I believe, it is necessary to make use of imported skills and equipment, and, most important of all, to launch a massive research programme on robotics.

Mr Peltu also draws attention to the running battle between computer scientists and AI researchers. Computer scientists who are worried about AI drawing off some of their resources complain that AI is too vague. No, Mr Computer Scientist, you are wrong. AI is sufficiently wide, sufficiently deep and an extremely interesting field of study having the most promising future. It can stand up firmly as a coherent discipline; it has to. There is so much to get on with. AI cannot be mistreated. It has every right to exist as a research field.

H. E. Piskobulu
Thames Polytechnic
London SE18

ELECTRONIC ORGAN TONE FILTERS

May I, through your columns, disagree with Dr Pykett's and Mr Robins's implied assertion (December 1980 letters) that the function of an electronic organ is to imitate, as closely as possible, the sound of a pipe organ. A visit to any organ showroom will make it clear that the electronic organ has long since evolved into an instrument in its own right, possessing as it does a wide range of new synthetic sounds, percussions and automated aids to performance, with comparatively few tones reminiscent of its wind-driven forbear. (This is exactly as it should be; every age has given rise to new instruments appropriate to the music of the time.) Indeed, to buy an electronic equivalent of a church or cinema organ at a reasonable price and without surplus gadgetry seems well-nigh impossible although published designs for the amateur constructor continue to appear.

After listening to many electronic organs, my own impressions are as follows: string and flute tones can be reproduced with a reasonable degree of fidelity together with some of the solo reeds. Diapasons are less satisfactory although tolerable in an instrument of the "cinema"

variety where they are of secondary importance to the tibia clausa. Never, though, have I heard a remotely lifelike organ trumpet, let alone a full swell chorus.

Why must this be so? A chorus reed pipe has an extensive range of upper harmonics, but so does the sawtooth wave from which it is derived. Is it the changing phase relationship between these harmonics? Are some or all of them out of tune? Do they have differing envelopes? Does white or pink noise exist? In short, what is the difference between a waveform which is harmonically rich and one that sounds "brassy"?

If any of your contributors could answer these questions and suggest a straightforward means for realising such tones in practice then I submit they would make a very worthwhile contribution to the literature on electronic organs.

F. E. Norrington
Bromley
Kent

SPECIAL RELATIVITY

Am I the only reader of *Wireless World* with an interest in physics who finds the articles on special relativity somewhat boring? Of course special relativity is "only" an hypothesis, as are all scientific theories¹; of course it is a sin to try and justify them as *a priori* true. Obviously there exist paradoxa in almost all the theories of what textbooks call modern physics. It is a dangerous sign that Lorentz covariance has become a methodological requirement for any theory of, say, high energy interactions. But one cannot deny that these theories can be both accurate (quantum electrodynamics) and of great explanatory power (quantum chromodynamics) and to my taste, at least, more fun. For that reason one can sympathise with the editors of *scientific journals* who set up "special provision" for the sort of articles Prof. Davies was dealing with in his *New Scientist* article².

When a new, more inclusive theory arises, which will embrace quantum mechanics and general relativity, I suspect that few "anti-relativists" will like the result. But boring it won't be.

Keith Burnett
Wallasey
Merseyside

References

1. K. R. Popper, "Unended Quest," Fontana.
2. P. Davies, *New Scientist*, 7 August 1980, p. 463.

DEDICATED LOUDSPEAKER BOX

The letter from Mr J. T. Lloyd in the February issue reminds me of some experiments which I did some time ago using a guitar as the box for a loudspeaker. What I did was to remove all the strings and place a suitable speaker face down on the guitar aperture. The speaker was then held in place with sticky tape.

Guitar tunes, kindly executed by my wife on the same instrument, were played back into this enclosure from a good cassette deck and, although there were no tears of joy, the results were remarkable. The same tape played through my hi-fi system just did not sound like the original, not even when listening with headphones.

Next I tried a cassette with pieces executed by Segovia and the sound was simply impressive. I can quite believe Mr Lloyd when he says that the effect is stunning.

The drawback is of course that only one instrument can be played on a dedicated box. But hi-fi is concerned with the exact reproduction of sound and it would not be surprising if one day we saw "variable enclosures" changing shape according to the type of music being played or multi-track tape recorders feeding several musical instruments.

D. Di Mario
Milan
Italy

OSCILLATING CRYSTALS

Reference is made to Dr Thackeray's interesting letter, August 1980 issue, and the item "Sixty years ago" in May 1980, p.60. Here Dr G. W. Pickard's heterodyning crystal radio receiver was mentioned. It is interesting to note that W. T. Ditcham's timely article appeared in May 1920, and the circuit diagram of Pickard's heterodyning receiver in *QST*, March 1920, p.44, just two months earlier. There is no question whatsoever that England originated the semiconductor era through the discovery, in 1910, by Dr W. H. Eccles, of crystal diode oscillation. It is hard to realize that it took about ten years for practical active crystal-diode circuits to appear, in spite of Ditcham's reminder — circuits that included both r.f. and a.f. amplification. The last one, at the time, was totally unknown to most "affectionados", one of them being the author of this letter.

Most of the credit for practical devices goes to O. V. Lossev, Russia, whether or not he knew of Eccles' pioneer work a decade earlier — he should have known about it; one has the right to expect that he as a qualified scientist was familiar with the world's scientific literature. Lossev is better known, however, for his amazing discovery of the light emitting diode, i.e.d., in 1923, but here we have a repetition of what happened with the oscillating crystal. The i.e.d. was discovered by H. J. Round already in 1907, and his publication occurred in *Electrical World*, February 9, 1907. Just like Eccles, Round was too busy with other fascinating things in science, and today Lossev is honoured as the father of the i.e.d.

The fact that in 1948 Bell Telephone Laboratories (BTL) totally failed to mention the amazing pioneer work done by Eccles, Lossev, Pickard, Round, and others, claiming all the credit for the transistor for themselves, may be explained away by the fact that the earlier gadget was a diode, while the transistor is a triode. However, to set the record straight, the triode oscillator/amplifier was not only invented much ahead of BTL's priority date for the transistor, but patented years earlier by a man who should have been given extensive credit. He was another genius, as they come and go, Dr J. E. Lilienfeld, of electrolytic capacitor fame. He created his non-tube device around 1923, with one foot in Canada and the other in the USA, and the date of his Canadian patent application was October 1925. Later American patents followed, which should have been well known to the BTL patent office. Lilienfeld demonstrated his remarkable tubeless radio receiver on many occasions, but God help a fellow who at that time threatened the reign of the tube. Nevertheless, forgetting about gadgets, BTL in 1948 gave the world something of unmeasurable value — the electron-hole theory.

H. E. Stockman
Sercolab
Arlington
Mass., USA

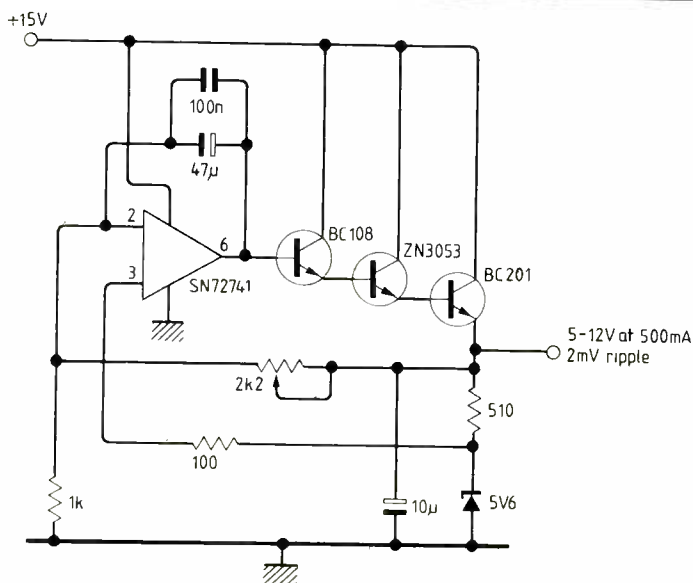
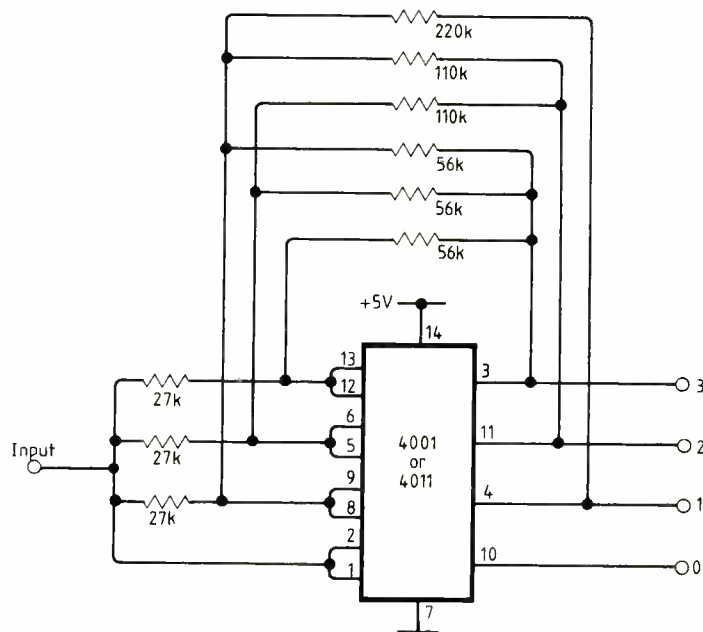
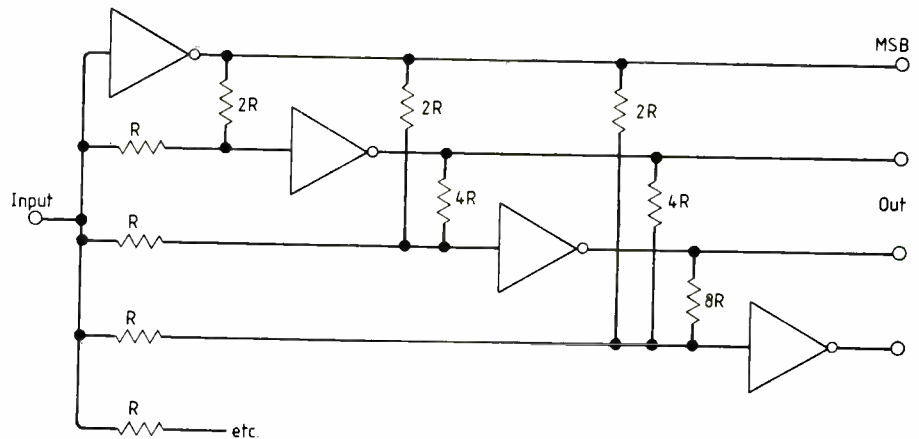
CIRCUIT IDEAS

Simple a-to-d converter

A continuous a-to-d converter that can, in principle, be extended indefinitely is shown in Fig. 1. The complement of the digital word represents the input voltage, from 0 to V_{cc} , and is available at the output. The inverters must switch at $V_{cc}/2$ volts within $\pm 1/2^{n+1}-2$, where n is the number of bits generated, and their outputs must be either 0V or V_{cc} . They must also have a high input resistance and a low output resistance. These requirements are met by an op-amp, with its inverting input connected to $V_{cc}/2$ volts, in series with a c.m.o.s. inverting gate.

If 4-bit accuracy or less is sufficient, a quad 2-input NAND or NOR c.m.o.s. gate is just adequate. The input resistance of this circuit is approximately $22k\Omega$. Because the four gates are on the same chip, variation between switching voltages is small and to some extent self compensating, although selection of a suitable chip may be necessary.

A. E. Prinn
Newton
Merseyside



Reducing power supply ripple

Power supply ripple can be easily reduced, to 2mV in the prototype, by using an op-amp as a low-pass filter and feeding the a.c. content back through a capacitor to reduce the a.c. gain of the op-amp'

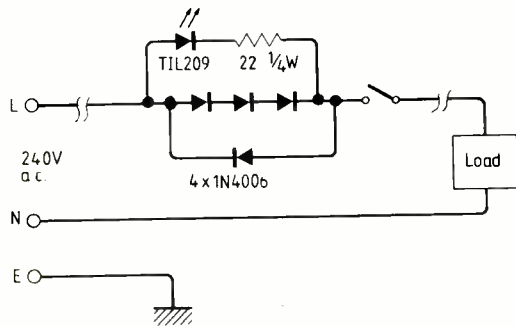
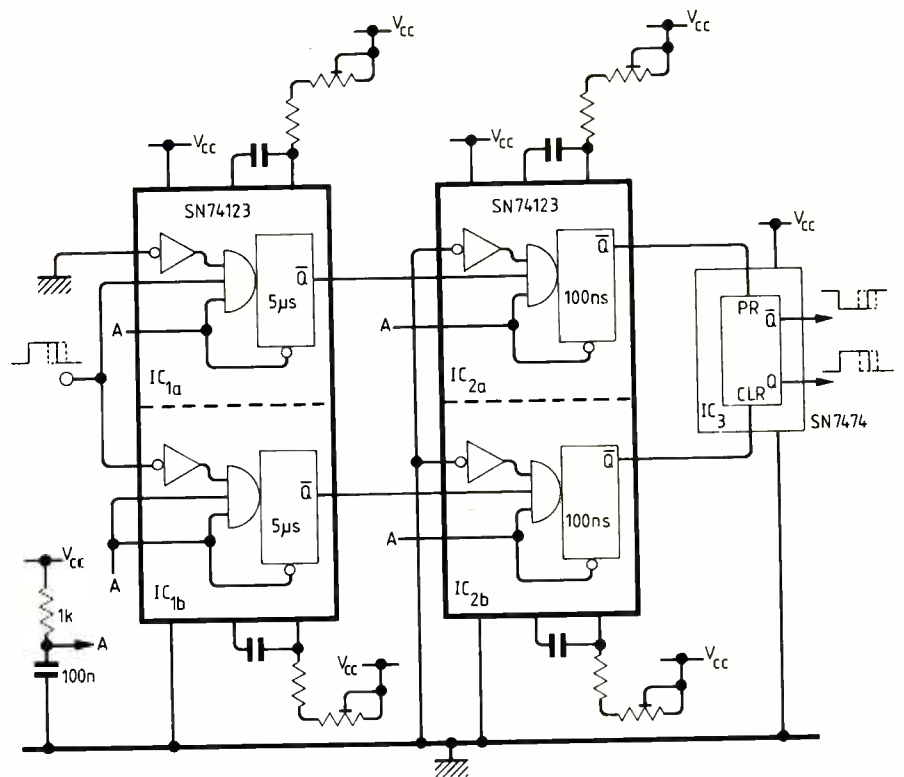
A. Bartram
Exeter
Devon

Variable-width pulse delay

If a pulse of variable length must be delayed without disturbing its length, this can be achieved with three i.c.s.

The leading positive edge of the input pulse triggers monostable IC_{1a} which, after a selected time, triggers IC_{2a}. The second monostable then sets bistable, IC₃. The trailing negative edge of the input pulse repeats this action through IC_{1a} and IC_{2a} to reset the bistable. The original pulse is therefore reconstructed and delayed by IC₁, IC_{1a}. Accuracy of the circuit depends upon the equality of the delay times.

A. B. Palmer
Leeds



Power monitor for remote loads

Remote loads can easily be monitored using this simple indicator. The l.e.d. is sufficiently bright to be seen in normal daylight, and the specified diodes are suitable for loads up to 100W.

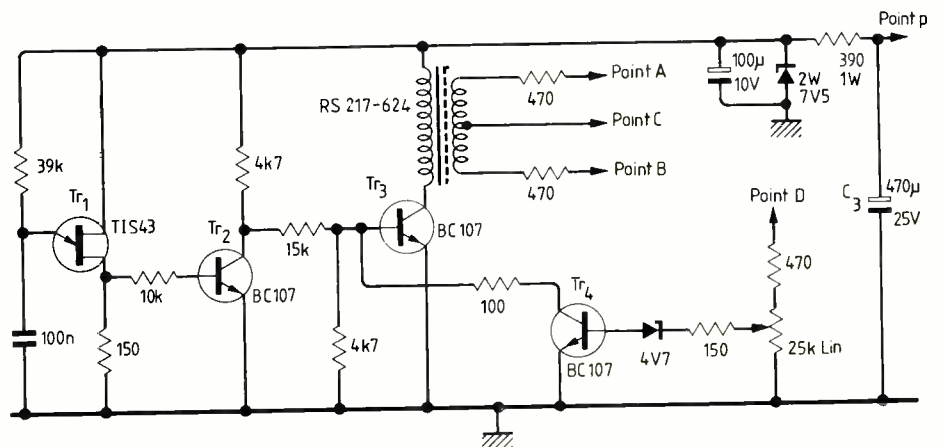
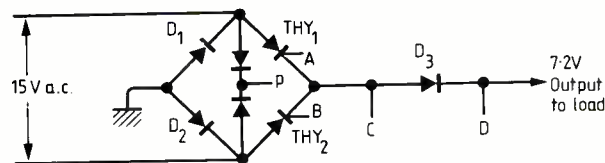
L. Ghiotto
Genova
Italy

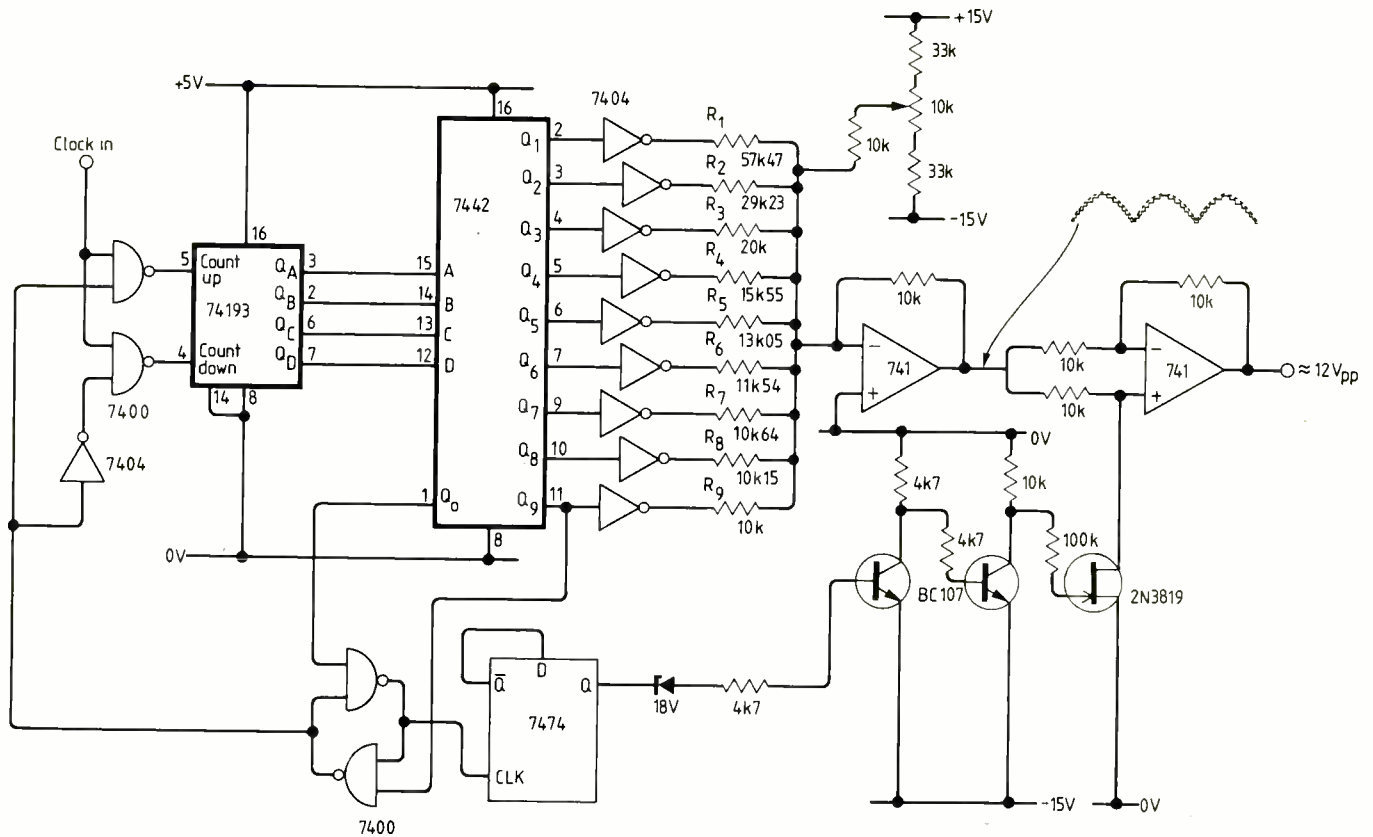
Thyristor bridge battery charger

This circuit was designed to charge a 6V, 6Ah motorcycle battery on demand from a permanent-magnet alternator, but it can also be used as a standby battery charger.

Unijunction transistor Tr₁ forms a 100Hz oscillator which is buffered by Tr₂, and antiphase signals from Tr₃ switch the thyristors. The voltage at point D is monitored by Tr₄, and when the voltage rises above the preset level, Tr₄ turns Tr₃ off. A relaxation oscillation then takes place which gradually slows down, as the battery voltage rises to equal the preset voltage, until the circuit switches off. When a load is connected, the circuit restarts and charges the battery.

G. V. Whitney
Sale
Cheshire





Digital sine-wave generator

By using an up-down counter and inverting part of the decoded output, a sine wave can be generated digitally without several shift registers and repeated resistor values as normally used. Weighted resistors R_1 to R_9 form the first 90° of the sine function as each is pulsed high by the inverted output of the decoder. A latch, formed by IC_{1c} and IC_{1d} , is set and reset by the falling edges of Q_0 and Q_9 , and permits the 74193 to count up ten steps and then count down.

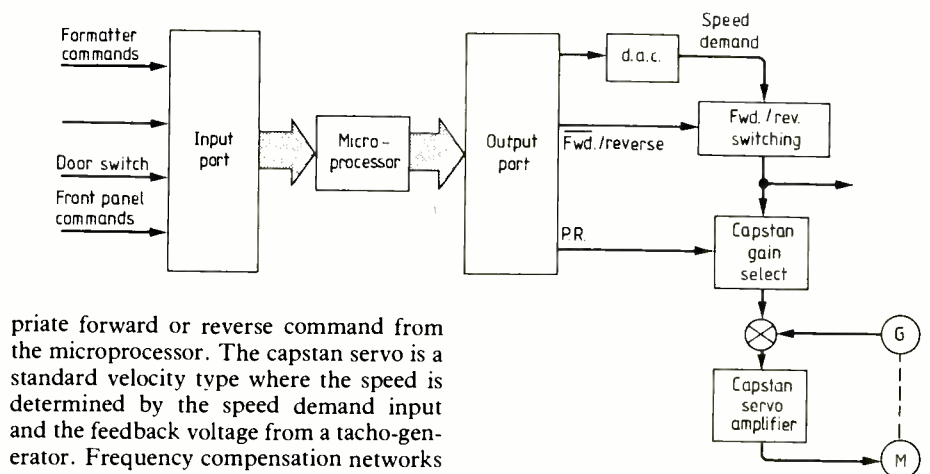
The output from the summing amplifier resembles a full-wave rectified sine wave, so inverting alternate half cycles produces a complete sine wave. Inversion is accomplished by IC_2 which acts as a unity gain buffer or an inverter, depending on the drain-source resistance of the f.e.t. and hence the Q output of the 7474. Tr_1 and D_1 provide level shifting, and Tr_2 squares the edges to prevent glitches at the zero crossing point where the f.e.t. is partially conducting.

The 7404 devices should be from the same batch so that their output voltages are similar. Offset voltage is removed by R_1 , which should be adjusted until the output of IC_2 is zero when the counter is at 0000, corresponding to the zero crossing point. The circuit can be extended from 40 to 64 steps per output cycle by using a 74154 decoder and different weighting resistors. The high-frequency limit is set by the slew rate of the op-amps.
 R. M. Everson
 London

Microprocessor controlled servo

Use of a microprocessor to control the demand signal to a servo system can simplify the hardware and reduce component tolerance effects. In this system, which is used with a digital tape transport, the processor monitors various control inputs and changes the demand signals to the capstan servo as appropriate. In addition, on receipt of a start or stop command, the processor generates a precision ramp demand for the servo. To use the full dynamic range of the system, the digital input to the d-to-a converter is adjusted, and the appropriate gain change for the servo amplifier is made by means of the PR signal.

A temperature compensated Zener diode provides a reference voltage for the 8-bit multiplying d-to-a converter, and the current output is converted to a voltage, whose polarity is determined by the appro-



appropriate forward or reverse command from the microprocessor. The capstan servo is a standard velocity type where the speed is determined by the speed demand input and the feedback voltage from a tachogenerator. Frequency compensation networks are included in the capstan servo to ensure servo stability and to provide the required response.

D. S. Cutler
 Wookey Hole
 Somerset

THANDAR'S COMPLETE PORTABLE TEST BENCH



LCD HAND HELD MULTIMETERS

TM354 3½ Digit

● DC Volts : 1mV to 1000V ● AC Volts : 1V to 500V
AC rms ● DC current : 1µA to 2A ● Resistance :
1Ω to 2MΩ ● Diode Check ● Basic accuracy :
± (0.75% of reading + 1 digit) ● Battery life :
Typically 2000 hours ● £39.95 + VAT

TM352 3½ Digit

● DC Volts : 100µV to 1000V ● AC Volts :
1V to 1000V ● DC current : 100nA to 0A
● Resistance : 1Ω to 2MΩ ● Diode check
● h_{FE} measurement ● Audible continuity
check ● Basic accuracy : ± (0.5% of
reading + 1 digit) ● Battery life :
150+ hours ● £49.95 + VAT



**2000 hrs
BATTERY
LIFE**



**4000 hrs
BATTERY
LIFE**

LCD BENCH MULTIMETERS

TM351 3½ Digit

● DC and AC Volts : 100µV to 1000V (750V AC rms)
● DC and AC current : 100nA to 10A (20A for 10 secs)
● Resistance : 100mΩ to 20MΩ ● Diode check ● Basic
accuracy : ± (0.1% of reading + 1 digit) ● Battery life : up to
4000 hours ● £99 + VAT (inc. batts).

TM353 3½ Digit

● DC and AC Volts : 100µV to 1000V (750V AC rms) ● DC and AC current : 100nA to 2A
● Resistance : 1Ω to 20MΩ ● Diode check ● Basic accuracy : ± (0.25% of reading +
1 digit) ● Battery life : Typically >3000 hours ● £84 + VAT (inc. batts).

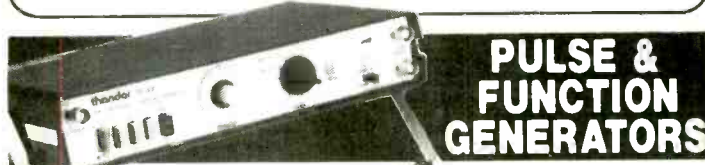
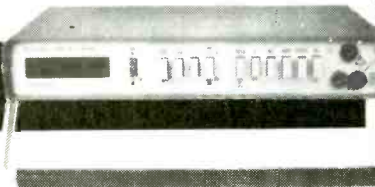
LED MULTIMETERS

DM350 3½ Digit;

34 ranges; 0.1% basic accuracy; £72.50 + VAT

DM235 3½ Digit; 21 ranges; 0.5% basic accuracy; £52.50 + VAT

PDM35 3½ Digit; Hand held; 16 ranges; 1% basic accuracy; £34.50 + VAT



PULSE & FUNCTION GENERATORS

TG100 100kHz Function Generator

● Frequency range : 0.1Hz to 100kHz
● Functions : Sine, Square, Triangle and DC from variable
600Ω output ● Output range : 1mV-10V peak-peak ● DC offset range :
±5V ● TTL output ● External sweep : ≥300:1 linear range ● £79 + VAT

TG105 5MHz Pulse Generator

● Period : 200nsec to 200ms (5MHz to 5Hz) ● Pulse width : 100nsec to 100ms ● 50Ω
output range : 0.1V-10V ● TTL output ● Sync. output ● Operating modes : run,
external trigger, external gate, manual 1-shot or gate ● Complement and square
wave ● £85 + VAT



GOLD MEDAL WINNER



SC110 SINGLE TRACE LOW POWER 2" OSCILLOSCOPE

This truly portable oscilloscope, the only British product to win a Gold Medal at the 1980 Brno Trade Fair, boasts the following specification: ● Bandwidth : DC to 10MHz
● Sensitivity : 10mV/div to 50V/div ● Sweep Speeds : 0.1µsecs/div to 0.5 secs/div
● Power Requirements : 4 to 10V DC from 4 'C' cells or AC adaptor ● Size and weight :
255 x 150 x 40mm; 800gms excl. batteries ● £139 + VAT

FREQUENCY METERS

TF400 8-Digit LCD

● Frequency Range : 10Hz-
40MHz (to 400MHz with TP600)
● Sensitivity : 40mV rms ● Timebase
accuracy : better than 0.5 ppm ● Battery life :
Typically 80 hours ● £110 + VAT (inc. batts).

TF200 8-Digit LCD

● Frequency Range : 10Hz-200MHz (to 600MHz with TP600) ● Sensitivity : 10mV rms
20Hz-100MHz, 30mV rms 10Hz-20Hz, 100MHz-200MHz ● Timebase accuracy : better
than 0.3 ppm ● Battery life : Typically 200 hours ● £145 + VAT (inc. batts).

PFM200 8-Digit LED Hand Held Meter

● Frequency Range : 20Hz-200MHz (to 600MHz with TP600) ● Sensitivity : Typically
10mV ● Timebase accuracy : better than 2 ppm ● Battery life : Typically 10 hours
● £49.80 + VAT

TP600 600MHz Prescaler

● Frequency Range : 40MHz to 600MHz ● Sensitivity : 10mV ● Output : Typically
500mV peak-peak ● £37.50 + VAT



For full technical details together with price list and nearest stockist please contact:

thandar

SINCLAIR ELECTRONICS LTD

London Road St. Ives Huntingdon Cambs. PE17 4HJ.

Tel: St. Ives (0480) 64646

Telex: 32250

Sinclair Electronics Ltd. reserve the right to alter prices and specifications on Thandar
equipment without prior notice.

ALL THANDAR PRODUCTS CARRY A FULL 1 YEAR WARRANTY

WW - 072 FOR FURTHER DETAILS

The Brewster Family help put it together

S&R BREWSTER LIMITED
MANUFACTURE A WIDE RANGE OF
SOLDERING IRONS TO CATER FOR MOST TYPES OF
JOBS FOR HOBBIES, PROFESSIONAL & INDUSTRIAL USE.

MODEL K200

The largest standard soldering iron in our range
Power 200 Watts
Bit size 1 1/4"

£19.55

inc. VAT
Postage 93p extra

MODEL K500TC

A Temperature controlled version of the Model K200
Power 500 Watts
Bit size 1 1/4"

£25.30

inc. VAT
Postage 93p extra

MODEL H70

Our medium sized general purpose soldering iron with interchangeable bits
6mm Bit fitted
Power 70 Watts

£11.50

inc. VAT
Postage 56p extra

MODEL H150TC

A temperature controlled version of the H70
Power 150 Watts

£17.36

inc. VAT
Postage 56p extra

Spare bits for H series
£1.27 each inc. VAT
Postage 10p extra
Sizes available
4.5mm
6.0mm
9.5mm
11.0mm

All our range of soldering irons are available in 100/110 volts and 220/240 volts. The type 1 and model D are also available in 11/12 volts. (Please specify when ordering)



The TYPE 1 The original MIGHTY MIDGET

18 Watt soldering iron
Fitted with No. 20 (3mm) bit

£4.95

inc. VAT
Postage 28p extra

Spare Bits 69p
inc. VAT and postage
Sizes available
1.5mm (No. 19)
3.0mm (No. 20)
4.5mm (No. 21)
6.0mm (No. 22)

Special Bit
No. 78 I.C. Desoldering Bit
£1.27 inc. VAT
Postage 12p extra

MODEL D50

The smallest temperature controlled soldering iron in our range with interchangeable bits
Power 50 Watts

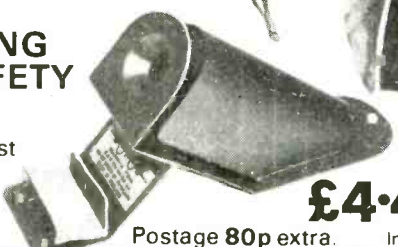
£12.07

inc. VAT
Postage 28p extra

Spare bits for model D
52p each inc. VAT
Postage 10p extra
Sizes available 1.5mm
3.0mm (fitted as standard)
4.5mm 6.0mm

Universal SOLDERING IRON SAFETY STAND

Suitable for most soldering irons up to 50 watts



£4.49
Postage 80p extra. Inc. VAT

SOLDER

Postage
Savbit 22 S.W.G. 20ft. 70p 12p
Savbit 22 S.W.G. 10ft 40p 8p
Low Melt 145°C 20 S.W.G. 10ft
(Suitable for white metal kits) 80p 12p



FROM YOUR LOCAL RETAILER OR DIRECT FROM MANUFACTURERS.

S & R BREWSTER LTD

86-88 UNION STREET PLYMOUTH PL1 3HG ENGLAND

Tel: (0752) 665011 Telex: 45311

Retail, wholesale & industrial enquiries welcome



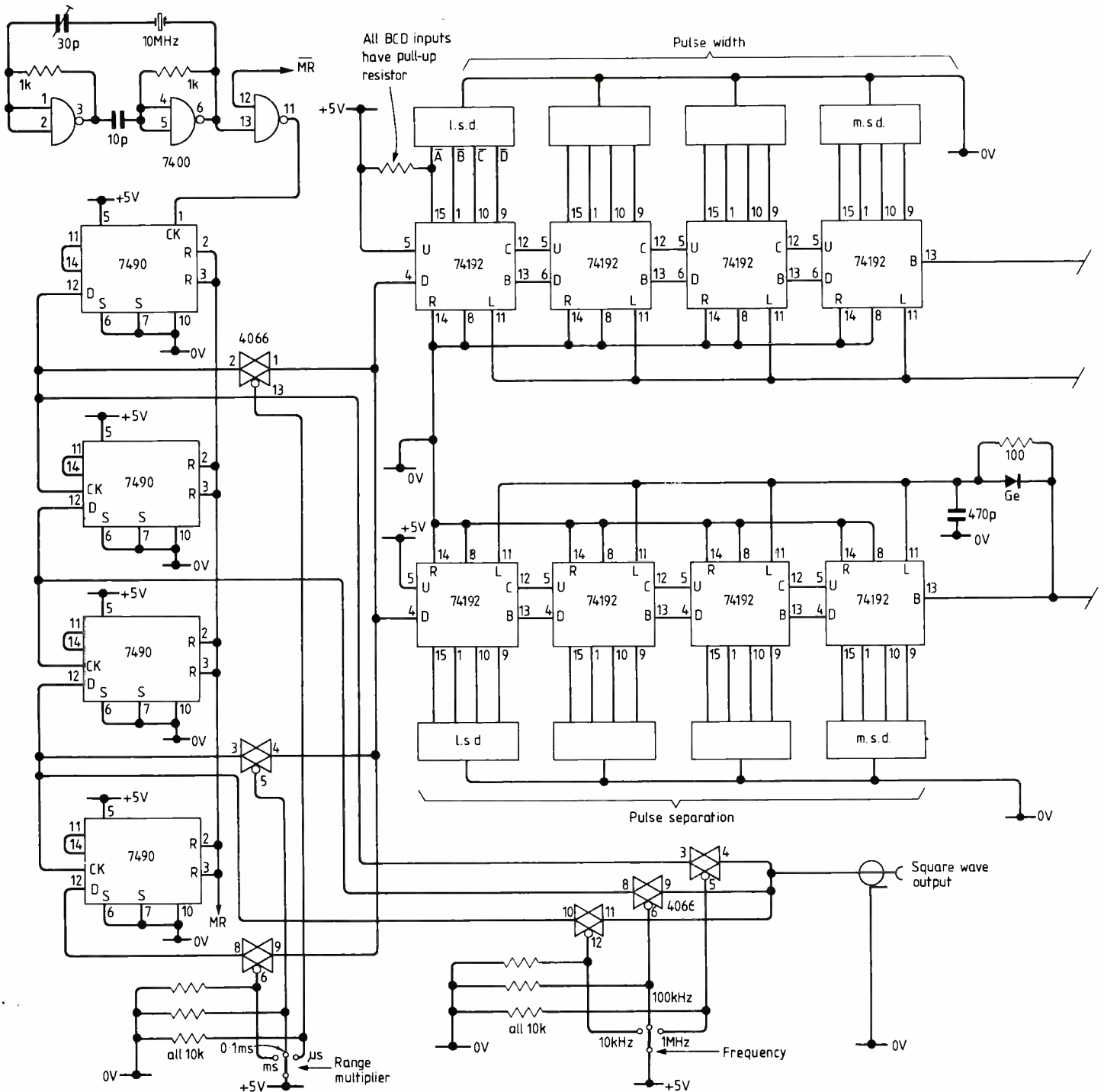
'CECO' Vari-stat



Precision pulse generator

by L. Hayward and G. E. G. Sargent

Standard pulse generators normally use an RC oscillator as a time-base and RC monostables to define the pulse width. This method gives a continuous tuning range and a simple circuit, but the accuracy is typically within 5% of the dial reading, and the pulse width and repetition frequency vary with temperature. This design uses a crystal-controlled digital circuit to give high accuracy at a reasonable cost. With a suitable crystal, and oven, if necessary, the generator can be used to synthesize navigational or radar data, or to check computer systems.



This generator uses four thumb-wheel switches to select pulse width and separation from one microsecond to 9999 milliseconds in three ranges. The output is t.t.l. compatible and can provide any frequency in this range, i.e. $f = 1/t$. In addition, a standard-frequency square wave of 10kHz, 100kHz or 1MHz is available.

To prevent reflections along a coaxial connecting line, the source and receiver must match the impedance of the line. This is easily done at the receiver by padding the input with a suitable resistor. The transmitter should have its output also presented via a similar impedance, but the pulse must then be twice the required amplitude to allow for the voltage drop in a terminated receiver. Because this arrangement can lead to an accident if the termination is inadvertently disconnected and over-voltage occurs, a compromise is made. When the output is low, the line transmitter is terminated with 75Ω, and

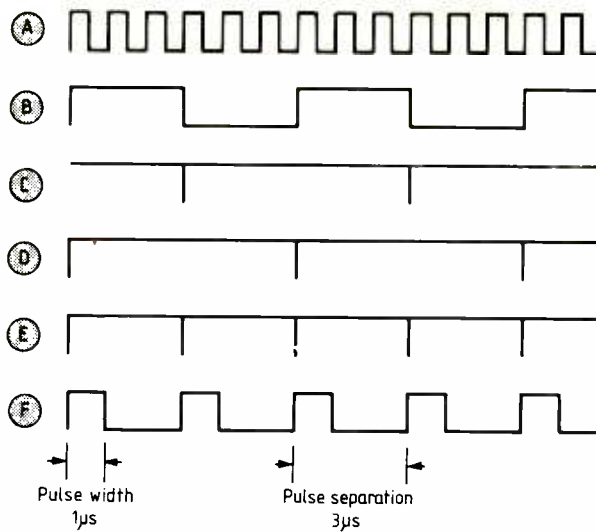


Fig. 1. Complete circuit. The thumb-wheel switches provide complement b.c.d. outputs.

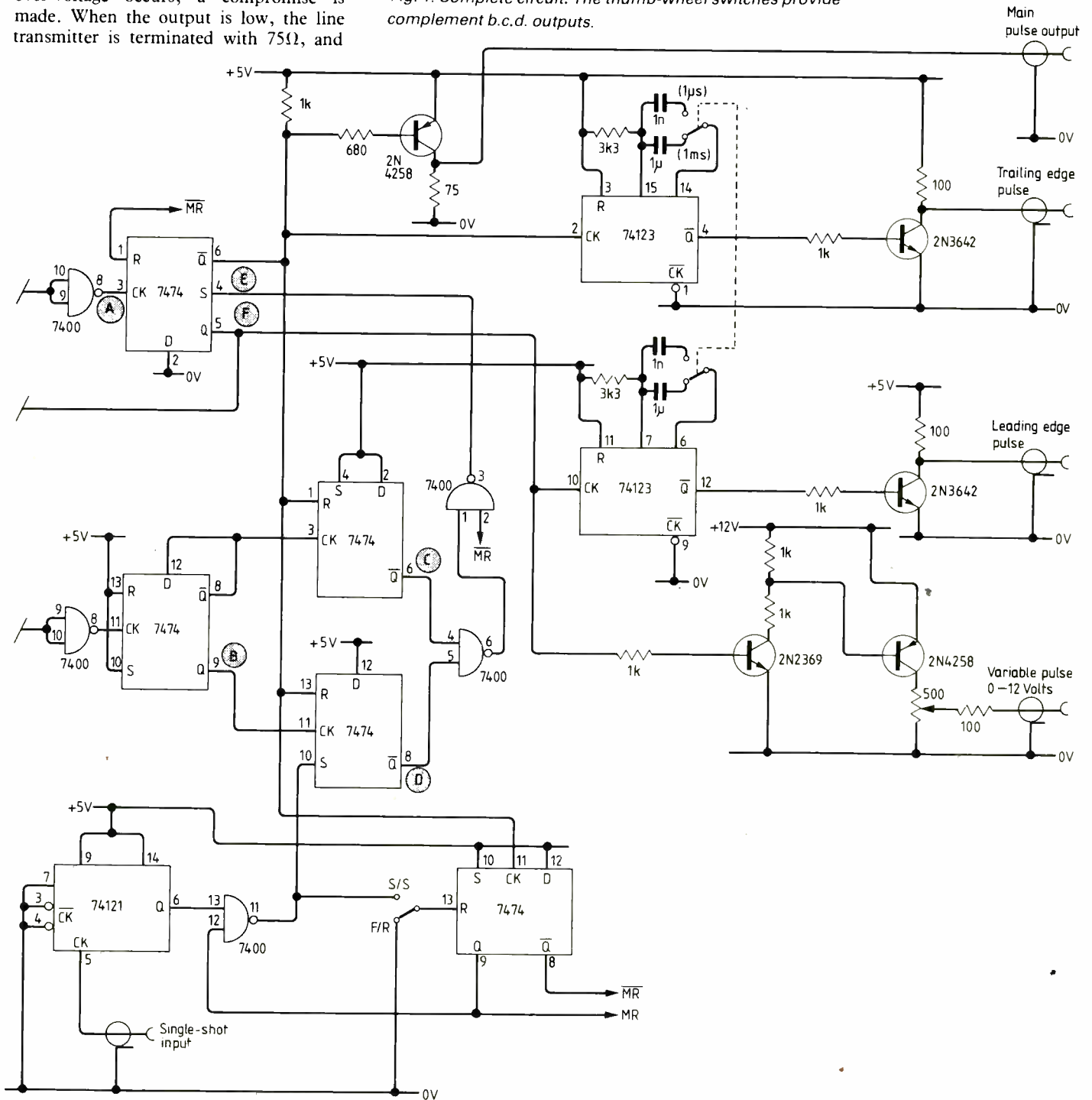


Fig. 2. Timing diagram.

when the output is high it is connected to +5V. Consequently, the terminating resistance has little effect on the voltage. Although this may appear to be bad line practice, it works well and is much better than no termination. The variable output is intended for bench testing use and is not terminated. Two further outputs are provided to give a pulse which coincides with the leading or trailing edge of the main pulse. These outputs are of fixed duration, either 1µs or 1ms, but can easily be changed.

When gating a crystal oscillator some uncertainty exists because the oscillator is not synchronous with the source. The worst error will be one clock period, 0.1µs, which with long pulses is negligible, but may be of consequence with short pulses. For this reason a single-shot input is provided and the output rises with the input after a short delay of about 30ns. The falling edge occurs after the selected duration ±0.1µs. In the free-run mode the rise and fall transition times are similar, so the timing error will be primarily that of the crystal oscillator.

A conventional t.t.l. crystal oscillator provides a timing source at 10MHz and this is divided by a chain of 7490 counters which are selected by transmission gates as shown in Fig. 1. Pulse width and separation are selected by the 74192 programmable counters which operate in the count-down mode and are wired as a wide divide-by-*n* circuit. The number selected by the decade switches is loaded into the counter, and subsequent clocking clears the counter until a borrow pulse is provided at pin 13 to reload the counter. Because this circuit is fed by a defined pulse rate, the count-down sequence lasts as long as the selected number of units. The separation counter has a pulse-stretching circuit comprising a diode, resistor and capacitor to main a sufficiently wide reload pulse. The output from the counting chains combine to set and reset the counting chains combine to set and reset the output bistable as shown in Fig 2.

In the single-shot mode the clock and divider are held at reset until a positive-going t.t.l. signal is present at the input. When this occurs, one pulse is produced and the single-shot input is then taken low, ready for the next pulse. A fast monostable i.c. is included to ensure that single-shot operation is independent of the input pulse width.

Although the circuit layout is not critical, 0.01µF ceramic capacitors should be placed across the supply rails for each i.c., together with 10µF tantalum capacitors for each row of i.cs. It is advisable to screen the entire unit with a metal box to prevent r.f. interference from affecting nearby equipment.

The use of transmission gates allows the operating switches to be fitted in a convenient position on a panel. Most of the outputs can be short-circuited without damage, but the main output will be damaged by a load below 10Ω. The current requirement of the entire circuit is about 1.2A, and a stable supply derived from a regulator is recommended. □

Viewdata Lucy gets it together

The difference in cost between an ordinary television receiver and one capable of receiving British Telecom's Prestel service could be reduced by around 30%, according to Mullard. Their new 'Lucy' integrated circuit is an l.s.i. peripheral to an 8049 micro, the new system providing much more flexibility than earlier teletext/viewdata chip sets, while reducing the package count from 19 to 4. The SAA5070 Lucy chip is already in production at Mullard's Southampton factory.

Lucy, a name which represents a major triumph for the forces of determined imagination over those of logic, is alleged to be a corruption of 'Line coupling unit u.a.r.t.', which, admittedly, is considerably less attractive than Lucy. The chip is designed to select and control various sources of information such as line, keyboard, tape, to avoid the need to interrupt micro operation to scan the inputs: the information is then presented to the micro on an 8-bit bus. (Most viewdata decoders use a micro to take account of varying levels of complica-

tion in different applications: software is more easily altered than hardware.) The software approach means also that Lucy can be used for any viewdata system - Antiope, Telidon and the Continental variations of Prestel can all be accommodated.

Among the facilities offered by the use of Lucy are tape recording and playback of pages (modified Kansas City standard), a multi-page memory r.a.m., non-volatile memory for automatically dialled telephone numbers or passwords, time-out periods to disconnect the line, extra ports (each port provided has a storage shift register) and an on-chip modem.

A keyboard can be connected to allow the writing and editing of pages on a domestic set - a facility which, were it not for restraints imposed by British Telecom on the use of telephone lines for data would make communication between terminals possible. There is provision in Lucy for data transmission at 1200 baud, in addition to the normal rate of 75 baud used for Prestel access.

Designing with microprocessors - correction

The following table is a corrected version of Table 3 (hex listing of the PRINT problem when implemented using the test-and-skip mode and the Intel 8080) which appeared in Part 6 of "Designing with microprocessors" December 1980 issue, page 73.

	Hex address	Hex listing	Mnemonics	Comments
	1000	21	LXI H	Set memory pointer to line 40
	01	40		on page 20 - location of the
	02	20		first byte to be printed.
	03	0E	MVI C	Load register C with block
	04	n		length (n)
L3:	05	0D	DCR C	Decrement register C
	06	FA	JM	Go to L1, if n is -ve.
	07	16		
	08	10		
L2:	09	DB	IN	Read printer status
	0A	60		
	0B	07	RLC	Rotate left through carry
	0C	D2	JNC	Jump to L2 if carry flag
	0D	0A		is not set - that is if
	0E	10		printer is not ready
	0F	7E	MOV AM	Move into A next byte to be printed
	10	D3	OUT	PRINT
	11	61		
	12	23	INX H	Point to next byte in the block
	13	C3	JMP	Go to L3
	14	05		
	15	10		
L1:	16	76	HLT	Stop

Software wait

Bandpass audio filter

Active circuit design for a.m./s.s.b. radio communication

by L. Hurst, B.E., University of Auckland

This article describes the design of an optimum, active RC filter intended for tailoring the frequency response of communication channels to the passband 500Hz to 3kHz. Formed from two lowpass and two highpass sections, the circuit operates from a 12V supply and has a current drain of about 20mA. It will handle a maximum input signal of about 3V peak.

From tests on speech articulation, intelligibility and power spectrum, one finds that by removing all frequencies below 500Hz

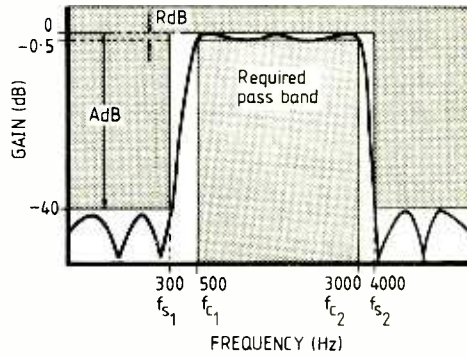
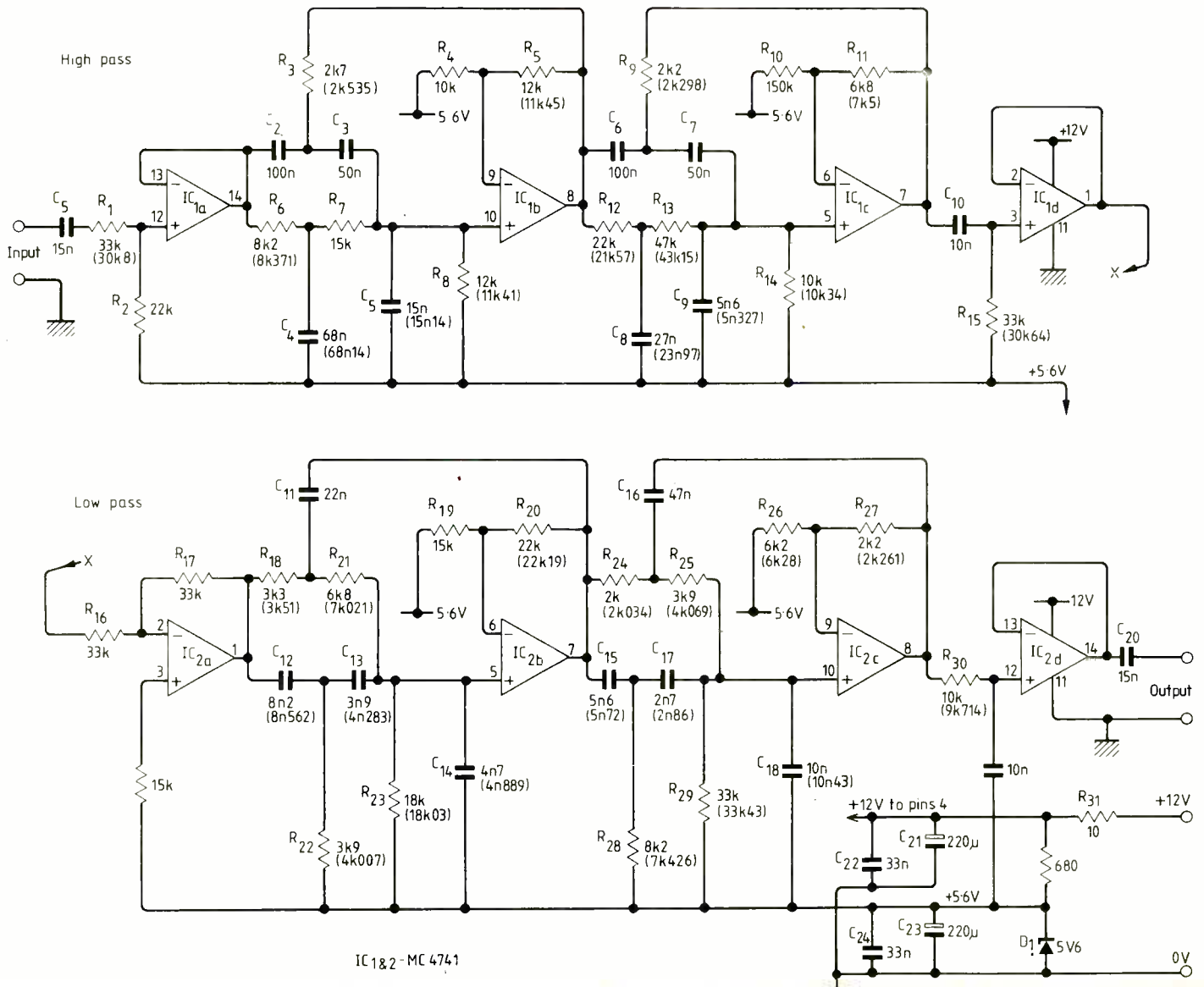


Fig. 1. Required frequency response limits for the bandpass filter.

the articulation can remain as high as 96% while the speech power requirement is reduced to approximately 42%. Similarly, by removing all frequencies above 3kHz, articulation is still about 83% although speech power is reduced only by about 5%. As an approximation one can say that the effect of restricting the speech bandwidth to 500-3000Hz is to reduce articulation to about 80% and speech power to about 40%.

Fig. 2. Complete circuit of bandpass audio filter. Component values in brackets are "ideal values". The actual response with preferred values is shown in Fig. 3.



IC1&2 - MC 4741

Hence a considerable saving in power requirement (4dB) and spectrum bandwidth can be obtained while intelligibility will still remain close to 100% (for normal speech). In addition, when reducing the bandwidth at the receiving end of a "noisy" communication channel, the signal-to-noise ratio may be so improved as to result in better intelligibility.

For such an application the elliptic filter response is generally the most effective for the least number of components. The design offered here is an elliptic filter to give a response of 500-3000Hz with ripple of less than 1/2 dB in the passband and greater than 40dB in the stop band. Requiring the stop band to be below 300Hz and above 4kHz, the response limits may be drawn as in Fig. 1.

Fortunately the very extensive work of calculating the coefficients for an active elliptic filter have been done for us and applied to a particular circuit. In "Electronic Design 21", October 14th 1971, by A. B. Williams, a set of tables applied to a basic section have been given. To meet above specifications with these tables we use two filters. These are a high-pass filter, having $f_{c1}=500\text{Hz}$, cascaded with a low pass filter, with $f_{c2}=3000\text{Hz}$. For those interested, the treatment of these two filters, each of which has two sections, is given in the Appendix.

The filter sections so designed are combined to give the required overall response. It is necessary, however, to provide inter-stage buffers to give high input impedances and low output impedances for each stage. Also it is desirable to provide an overall gain of unity (unless some other specific value of gain is required). This is given by the input attenuator, where R_1 is chosen as,

$$R_1 = 2.2 \times 10^4 \left(\prod_{n=1}^4 A_{v_n} - 1 \right) = 2.2 \times 10^4 (1.475 \times 0.9057 \times 1.565 \times 1.149 - 1)$$

$$R_1 = 2.2 \times 10^4 (2.40 - 1)$$

$$R_1 = 30.8\text{k}\Omega - \text{use } 33\text{k}\Omega$$

The complete circuit is shown in Fig. 2.

Choice of i.c.

The choice of the integrated circuit is not particularly critical. The application lends itself to the quad 741 package; thus two i.c.s will complete the filter, e.g. two LM348N, MC4741-CP, etc.

Choice of resistors, capacitors

For this application a small change in f_c or f_s will not seriously affect the performance of the filter. However, if the values of R and C are not accurately chosen the amplitude response of the filter can be degraded. Component values should be selected as close as possible to those stated, but certainly should be within 2%. To minimise temperature dependence, resistors should preferably be metal oxide and capacitors polystyrene.

A plot of the measured frequency res-

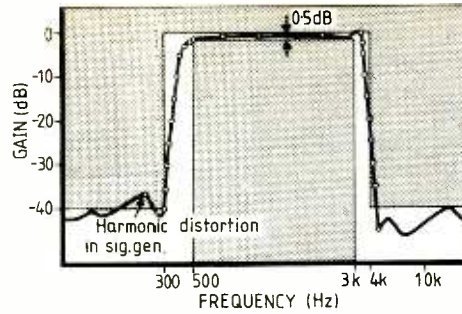


Fig. 3. Overall frequency response of the bandpass audio filter.

ponse is shown in Fig. 3. It can be seen that the initial requirement is approximately met, the minor departure from the original specification being accounted for by the non-exact component values. Closer matching of component values would reduce the departure from the original requirement.

For use in a transmitter, the high-pass section should be used first, followed by an amplitude limiter, say 10dB of limiting. The highpass section reduces the amount of limiting required in clipping the high amplitude, low frequency, vowel sounds in speech. The low-pass filter then follows the limiter to reduce the level of distortion products generated in the limiting process.

It can be seen from the circuit diagram in Fig. 2 that the filter is designed to operate from a single + 12V supply. This is available in most solid-state equipment. Maximum current drain is about 20 mA. The maximum amplitude of signal which can be handled is approximately three volts peak, into a load resistor of not less than 2kΩ.

References

1. Radio Engineering Handbook, ed. Keith Henny, McGraw-Hill, 1959.
2. Electronic Design Vol. 21, "Design active elliptic filters easily" by A. B. Williams, October 14, 1971.
3. "The design of high performance active RC bandpass filters", Kerwin and Huelsman: Reprinted in Active Inductorless Filters, ed. Sanjit K. Mitra, IEEE Press.

Appendix: design of filter sections

The treatment of the lowpass filter is simpler, so we will deal with that first.

Lowpass filter

The basic section used for the filter is shown in Fig. 4. The number of sections required is given by $n=(N-1/2)$, where N is the order of the filter quoted in the tables.

To use the tables referred to in the main text, which are normalised for $\omega_c=1$ rad/s, we require R_{dB} , A_{dB} and ω_s . From our specification:

$$R_{dB} \leq 0.5\text{dB}$$

$$A_{dB} \geq 40\text{dB}$$

$$\omega_s \leq \frac{f_{s2}}{f_{s1}} = 1.333$$

From the tables for $\omega_c=1.3054$ rad/s
 $A_{dB}=39.17\text{dB}$
 $R_{dB}=0.28\text{dB}$,

we find $n=2$ sections and the normalised component values as follows:

1st section:

- $R_1=0.5280$ ohm $C_1=2.757$ F
- $R_2=1.056$ ohm $C_2=0.6127$ F
- $R_3=0.6027$ ohm $C_3=1.073$ F
- $R_4=2.712$ ohm $C_4=0.5368$ F
- $K=2.479$
- $A_v=1.565$

To denormalise, we use a convenient scaling factor M , so that,

$$C' = \frac{C}{2\pi f_c M}$$

$$\text{and } R' = R \cdot M$$

where R, C are the tabulated normalised values and R', C' are the denormalised component values for the chosen cut off frequency, f_c .

To find a convenient scaling factor, we choose a preferred value for C_1' , hence,

$$M = \frac{C_1}{2\pi f_c \cdot C_1'} = \frac{2.757}{2\pi \cdot 3000 \times 2.2 \times 10^{-8}} = 6648.3$$

$$\text{then, } C' = \frac{C}{2\pi f_c \cdot 6648.3} = 7.9797 \times 10^{-9} \cdot C$$

$$R' = R \times 6648.3$$

Thus we have

- $R_1' = 3510$ ohm $C_1' = 22$ nF
- $R_2' = 7021$ ohm $C_2' = 4.889$ nF
- $R_3' = 4007$ ohm $C_3' = 8.562$ nF
- $R_4' = 18.03$ kohm $C_4' = 4.283$ nF

This is implemented in Fig. 5.

$$R_6=1 \left. \begin{array}{l} \text{scale by } \left\{ \begin{array}{l} R_6' = 15 \text{ kohm} \\ R_7' = 22.185 \text{ kohm} \end{array} \right. \\ R_7=K-1=1.479 \end{array} \right\}$$

2nd section

$$R_1=0.3942 \text{ ohm} \qquad C_1=4.572 \text{ F}$$

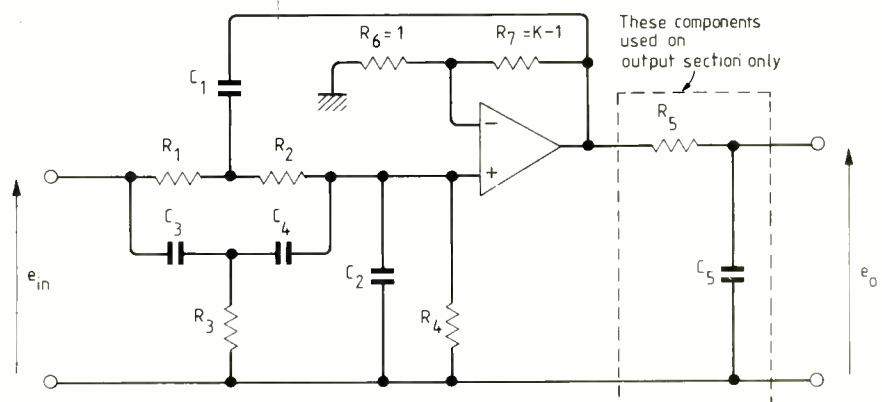


Fig. 4. Basic filter section.

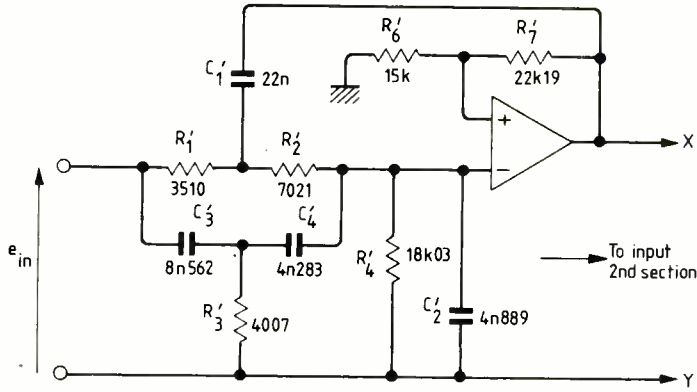


Fig. 5. First section of lowpass filter, $A_v=1.567$.

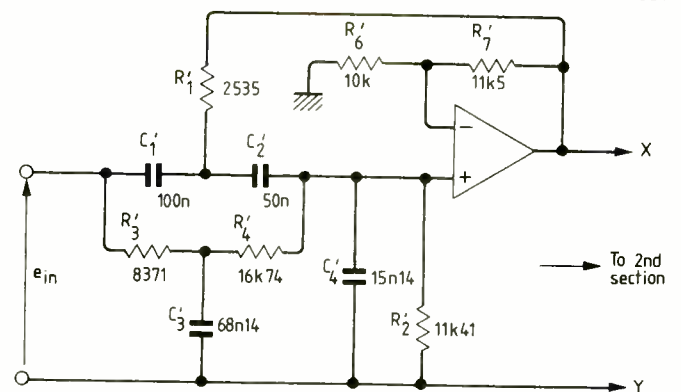


Fig. 7. First section of highpass filter, $A_v=1.475$.

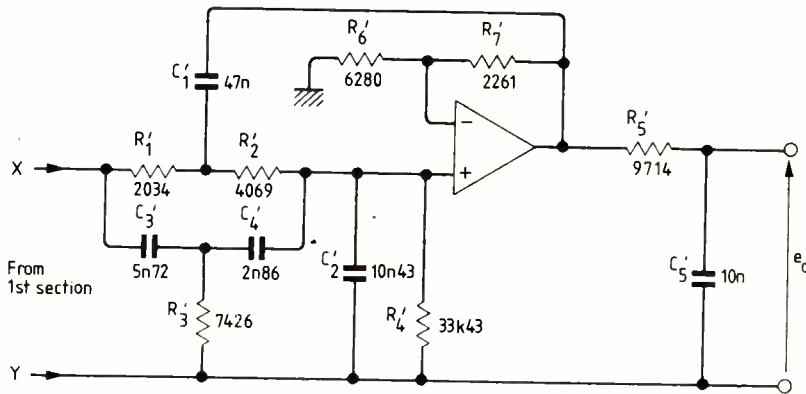


Fig. 6. Second section of lowpass filter, $A_v=1.149$.

$R_2=0.7884$ ohm
 $R_3=1.439$ ohm
 $R_4=6.477$ ohm
 $R_5=1.000$ ohm
 $K=1.360$
 $A_v=1.149$

$C_2=1.015$ F
 $C_3=0.5564$ F
 $C_4=0.2782$ F
 $C_5=1.831$ F

$R_6'=6280$ ohm
 $R_7'=2261$ ohm

This is implemented as in Fig. 6. This completes the lowpass filter design and it is only necessary to provide input and output buffers to preserve the response and gain equalisation to give unity gain. These details may be left till last and incorporated with the high pass filter.

Highpass filter

For the highpass filter we use the same basic circuit, except that the frequency response determining R_s and C_s , that is, R_{1-5} , C_{1-5} , are interchanged, i.e. resistors become capacitors and vice versa.

The reciprocal of the tabulated value is used for the new component. For example, our specification calls for $\omega_s \leq 500/300=1.67$, $AdB \geq 40dB$, $RdB \leq 0.5dB$. Several options are available in the tables and the choice may require a small compromise. I have selected the following table: for $\omega_s=1.7013$ (hence $f_{s1}=293.89Hz$ which is close enough) $AdB=40.81$, $n=2$ sections, $RdB=0.01$, and the normalised component values for the

1st section

$R_1=0.4847$ ohm
 $R_2=0.9695$ ohm
 $R_3=0.7114$ ohm
 $R_4=3.201$ ohm
 $K=2.145$
 $A_v=1.475$

$C_1=2.591$ F
 $C_2=0.5757$ F
 $C_3=0.7845$ F
 $C_4=0.3923$ F

Change C_s and R_s and write values as reciprocals;

$C_1=2.0631$ F
 $C_2=1.0315$ F
 $C_3=1.4057$ F
 $C_4=0.3124$ F

$R_1=0.3860$ ohm
 $R_2=1.7370$ ohm
 $R_3=1.2747$ ohm
 $R_4=2.5491$ ohm

Scaling factor, $M=C/2\pi f_c C'$

$$= \frac{2.0631}{2\pi 500 \times 0.1 \mu F} = 6567.05$$

$C'=4.847 \times 10^{-8} \times C$, $R'=6567.05 \times R$ hence,

$C_1=100$ nF
 $C_2=50$ nF
 $C_3=68.14$ nF
 $C_4=15.14$ nF

$R_1'=2535$ ohm
 $R_2'=11.41$ kohm
 $R_3'=8.371$ kohm
 $R_4'=16.74$ kohm

$R_6=1$
 $R_7=K-1=1.145$ } scale by $\left\{ \begin{array}{l} R_6'=10 \text{ kohm} \\ R_7'=11.45 \text{ kohm} \end{array} \right.$
 This is implemented in Fig. 7.

2nd section

$R_1=0.3866$ ohm
 $R_2=0.7732$ ohm
 $R_3=1.613$ ohm
 $R_4=7.259$ ohm
 $R_5=1.000$ ohm
 $K=1.050$
 $A_v=0.9057$

$C_1=3.583$ F
 $C_2=0.7963$ F
 $C_3=0.3817$ F
 $C_4=0.1908$ F
 $C_5=1.039$ F

Change C_s and R_s and write as reciprocals;

$C_1=2.5867$ F
 $C_2=1.2933$ F
 $C_3=0.6200$ F
 $C_4=0.1378$ F
 $C_5=1.000$ F

$R_1=0.2791$ ohm
 $R_2=1.2558$ ohm
 $R_3=2.6199$ ohm
 $R_4=5.2411$ ohm
 $R_5=0.9625$ ohm

Scaling factor $M=C/2\pi f_c C'$

$$= 2.5867/2\pi 500 \times 0.1 \mu F = 8233.72$$

$C'=3.866 \times 10^{-8} C$ $R'=8233.72.R$.

$C_1=100$ nF
 $C_2=50$ nF
 $C_3=23.97$ nF
 $C_4=5.327$ nF

$R_1'=2298$ ohm
 $R_2'=10.34$ kohm
 $R_3'=21.57$ kohm
 $R_4'=43.15$ kohm

R_5, C_5 may be scaled independently, so choose,

$$M=C/2\pi f_c C' = 1.000/2\pi 500 \times 0.01 \mu F = 31830.99$$

$C_5'=10$ nF
 $R_6=1$
 $R_7=(K-1)=(1.050-1)=0.050$

Scaled by $\left\{ \begin{array}{l} R_6'=150 \text{ kohm} \\ R_7'=7.5 \text{ kohm} \end{array} \right.$
 This is implemented in Fig. 8.

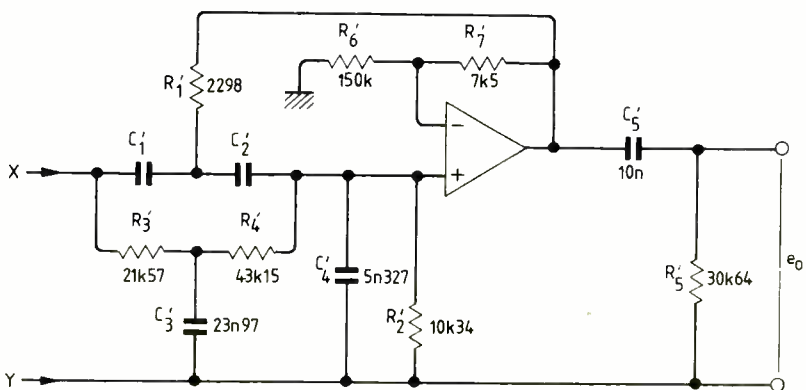


Fig. 8. Second section of highpass filter, $A_v=0.9057$.

NEWS OF THE MONTH

Microcomputers in the home

Two announcements, almost on the same day were important in that they were both concerned in bringing computers to the man-in-the-street rather than the computer buff or hobbyist. The first was that the BBC has chosen a manufacturer for a Microcomputer to be used in conjunction with a television series on computer literacy, scheduled to commence in January 1982. The other announcement was the launching of an up-dated version of the Sinclair personal computer to be known as the ZX81.

The BBC Microcomputer is to be designed and produced by Acorn Computers and will be a condensed version of the Acorn Proton. A very long-term strategy has made it important that the computer is as flexible and as expandable as possible, so that it may be used initially as a fairly simple 'familiarization' tool and may be expanded up to serious business applications. The basic machine will have 16K of r.a.m. with add-on options to give it a maximum of 96K. A domestic cassette recorder can be used to store programs and a disc memory system will become available. With a high-quality keyboard and the addition of a printer, full word-processing facilities will be available. Another add-on facility will be a teletext receiver which will give access to all Ceefax and Oracle transmissions, including a series of computer programs which may be read off the air directly into the computer's memory. All this is to be coupled to high resolution graphics in black-and-white or colour and there will be a further add-on facility to enable the computer to be networked.

The minimum price of the BBC Microcomputer will be about £200, and in contrast, the Sinclair ZX81 is available fully built for £69.95 and in kit form for as little as £49.95. As the internal workings have been reduced to four micro-chips, the kit is comparatively easy to build. ZX81 has a 1K r.a.m., but it is claimed that with the one-key BASIC commands this actually represents considerably more than with a conventional system. Advantages over the previous ZX80 are that it uses the unused part of the tv frame as time for computing and can offer continuous and animated displays without the flicker associated with the earlier machine. With a bigger, 8K, BASIC r.o.m., it can offer full floating-point arithmetical operators and may be used as a scientific calculator with log. and trig. facilities. Like the ZX80, the new computer may expand its memory with an add-on 16K byte r.a.m. module. Further additions include a 32 column printer which can reproduce all the characters and graphics which are available from the keyboard. The operation of a 'Copy' key will instruct the printer to reproduce anything which is on the screen without need for further instruction. This printer has been demonstrated and is likely to be available very soon - in June or July. Sinclair has also developed a series of cassettes which include a number of useful programs; some games and an educational tape which can teach basic mathematics and other disciplines to children.

It seems likely that there might have been a direct connection between these two stories. At the launch of the ZX81, Clive Sinclair made clear his disappointment at not being selected



The Sinclair ZX81 improves its outward as well as its operational design over its predecessor. It is shown here with a prototype of the ZX printer, available later in the year.

by the BBC to produce their microcomputer. He indicated that he would be able to offer all the facilities that the Corporation might require at a lower price than any competitor. A BBC spokesman has said that the Corporation had taken "advice from a variety of experts" who

had selected a computer which best met their requirements.

It has been rumoured that Mr Sinclair is to go ahead with a computer that will meet the BBC specification and will be a low-cost alternative to the 'official' BBC microcomputer.

Pay tv pilots get go-ahead

The Home Secretary has announced the names of the successful applicants for licences to provide subscription television by cable relay. British Telecom have been granted a licence to operate in the Milton Keynes and Newport Pagnell area; Greenwich Cablevision in Greenwich; Philips in Northampton and in Tredegar, Gwent; Radio Rentals in the Medway towns of Chatham, Gillingham and Rochester, and Swindon; Rediffusion are to proceed with pilot schemes in Burnley, Hull, Pontypridd, Reading and Tunbridge Wells. The licence will run for an initial period of two years.

It is envisaged that at the beginning, the programmes will consist of feature films, all passed by the British Board of Film Censors and the Home Office has laid down certain rules: that Certificate 'X' films may not be shown before 10pm; sporting events of a national importance may not be secured on an exclusive basis; programme schedules must be submitted in advance to the Home Office.

The charge for the service is likely to be between £5 and £8 a month with an additional installation fee.

British Telecom already operate in Milton Keynes, a system of distribution of five chan-

nels of television and a full range of broadcast radio services including the local community radio station. The subscribers will get an additional channel of feature films and facilities for a community television service. Many of the other licencees have, of course, operated cable distribution of the national BBC and ITV channels and at least one, Greenwich, has had previous experience in operating a subscription service.

The Cable Television Association has welcomed the Government announcement but feel that "the terms of the licence and the scope of the pilot schemes appear to be rather restrictive". A statement from the C.T.A. reported in *Cablevision News* also said, "We cannot see why, providing our members conform to the law of the land and the dictates of good taste, they should not have precisely the same freedom to offer the same consumer choice as the book publisher, the newspaper editor, the cinema operator or the video disc manufacturer . . . Subscription tv does not require any Government funding; nor does it make claim upon that scarce public resource - space on the ether. It does not come into the home without the public seeking it".

Medical technicians get a new deal

The Institute of Science Technology has announced the formation of a new Interest Group within the Institute concerning itself with Medical Physics and Physiological Measurement technicians. At present, there are few colleges prepared to undertake the organisation of a suitable course for them so one of the aims of the MPPM Interest Group is to prepare a nationally recognised educational qualification equivalent to HNC/TEC for those attending college or who are studying privately. In this respect the IST will set a Diploma examination based on an acceptable syllabus.

Although the number of these technicians has increased and quality improved significantly, a steady decline in their status compared with their colleagues in radiology and medical laboratory sciences has been shown. Possibly their poor career structure can be improved with the Diploma examination followed by the Fellowship of the IST. The Interest Group hopes to keep open good channels of communications with other institutes and bodies relevant to the MPPM's and organized a seminar on *Biofeedback Mechanisms* at Birmingham on 9th April.

Synchronising tv sound to picture

Videotape editing facilities has been improved to a state where it is now practicable to make a high number of recording breaks and editing cuts. The BBC has found that this can play havoc with the sound track and have devised a system called Sypher-2 so that the dialogue sound and special effects can be brought together with music and added to the edited video tape in perfect synchronisation. Time codes are added to a separate video recording and a multi-track sound recording of the programme, additional music and sound effects can be recorded

Energy from waves sponsored research

An important contract to research the operating and maintenance costs of wave energy devices has been awarded to EASAMS Limited (a GEC-Marconi company) by the Department of Energy via the Energy Technology Support Unit (ETSU).

In addition to cost assessment the contract also calls for EASAMS to act in an advisory role to the DoE. The scope of this advice extends from detail design and location of installations, to the choice of the best maintenance philosophy, methods and facilities, for both off-shore and onshore operations. This will involve the Company in regular and increasing liaison with universities, government establishments and industrial contractors.

The contract continues the work carried out by EASAMS since July 1979 in studies intended to assess and optimise the operation and maintenance cost of an offshore system to convert the energy of ocean waves into electrical power which can be fed into the UK national grid.

Research and development for such a system has received a high priority within the Department of Energy programme to investigate alternative energy sources for the UK. The geographical location of the British Isles makes wave energy a particularly attractive option especially as it is a resource for which the peak supply tends to coincide with the peak national demand over the year.

The current proposals for a wave energy conversion system involve a very large array of wave energy conversion units sited up to 20km off-shore, each unit being similar in size to an

ocean going ship. Such an array, extending along 400km of coastline, could deliver the mean annual output of a typical large modern power station, which uses fossil fuels. The wave energy programme has investigated a wide and diverse range of conversion devices, and several teams at universities and research establishments are working to improve the energy conversion efficiency and reduce the capital cost of the more promising designs. One part of a more general parallel programme is also investigating component reliability and developing systems which can remotely monitor the condition of machinery, and control the converter output, according to the available wave climate.

By its very nature a wave energy system will be expected to function in sea conditions that will be a severe handicap both to the reliability of any engineering equipment and to any efforts to gain access to it or carry out maintenance work. Therefore although the basic resource is freely and indefinitely available, the annual cost of maintaining the equipment needed to collect this resource and transmit power to the shore may be a deciding factor in assessing the commercial economics of wave energy.

EASAMS contribution to the programme has thus been in this important area. It has involved an assessment of maintenance costs and identifying the factors that have a significant effect on them. These include the relative merits of different locations in terms of supply base facilities and sea and air transportation links which may be as important in the selection of a wave energy site as the actual wave climate available.

on the other track of the sound recorder and the Sypher-2 system can re-unite sound and picture in synchronisation using the time codes as coordinates. The synchroniser is of modular construction so that a number of 'slave' recorders may all be run in synchronisation.

Infra-red 'radar' detects low-level planes

British Aerospace Dynamics Group has been chosen, following a highly competitive assessment, to develop passive infra-red surveillance for low-level air-defence systems.

To date, the Company has spent some three million pounds on this vital programme which could revolutionize the detection of low flying-aircraft in the future.

Radiating active-surveillance systems will need to become increasingly more complex in order to counter the jamming and location devices likely to be used by a future enemy. One low cost solution to this requirement has been to develop a passive surveillance system with no detectable emissions, and, since 1975, the Dynamics Group have been researching into an infra-red analogue of surveillance radar.

To undertake the numerous field experiments to prove this system, the equipment has been installed in a trailer and, in a two-week trial to prove the effectiveness, 96% of engageable aircraft targets were observed and located passively at ranges which would have made engagement by a SAM system entirely practicable. The majority of those aircraft, which covered a range of types, would have been destroyed.

The infra-red system will not replace the surveillance radar, but will, in fact, be complementary.

Hardware for the first model of the military version is now available and is compact enough to be mounted on a Land Rover.



Terry Newbery, of the BBC Studio Capital Projects Department, discusses the Sypher-2 sound-synchronisation system with Mike Jones, a sound supervisor. On the right is computer-assisted mixing console made by Neve which includes the control units for the Sypher-2 system.

News in brief

The Government has announced its intention to back **International Computers Ltd** by providing guarantees of up to £200M for a period of up to two years and to increase financial aid towards research and development in the company. This has become necessary because, in these times of recession, customers are not buying large computers and there has been a "significant fall in orders". Most main-frame computer companies have similar experiences, according to Mr Kenneth Baker, Minister for Information Technology. The Government are, of course, major customers of ICL who have supplied the computers for the Ministry of Social Security, the whole of the tax system, and for many hospital administrations.

Components sale. Home Radio (Components) Ltd, together with Harvesons and G. P. Transformers, is holding a sale of all types of components including resistors, capacitors, pots, speakers, transformers and tools, all at exceptionally reduced prices (many below manufacturing cost). Home Radio are turning over the whole of their first floor to this sale which will run from Saturday, 25th April until Saturday, 2nd May inclusive (early closing Wednesday). The address for the sale is 269A Haydons Road, London S.W.19 which is in South Wimbledon.

Electric vehicle research — on the move

Lucas and Chloride have announced the setting-up of a joint company to merge their electric vehicle development programmes and have been granted 'substantial financial support' by the Government over a five-year period.

Battery-driven vehicles are attractive because they are able to take advantage of a wide range of energy resources and also cause less pollution — noise and atmospheric. Electric vehicles re-charging at night would not increase the burden on the National grid and would help to level the daytime load.

So far, both companies have concentrated on the urban delivery vehicle. Lucas having produced some 100 electric prototypes based on a one-tonne van, while Chloride has specialised in vehicles with gross weights of six to seven tonnes and payloads of 1½ to 2 tonnes. Over 70 'Silent Karrier' prototypes have been produced. Lucas is also developing a drive-system for hybrid-electric passenger cars, which combine the benefits of electric vehicles with the flexibility of petrol or diesel power.

The joint company, Lucas Chloride EV Systems Ltd, plan to maintain the British lead

in the development of electric vehicles and to exploit a potentially very large world market.

● A different vehicle is the *Electric Monarch* an eight-berth battery-powered narrowboat, built by the Original Boat Company of Evesham. The fully-fitted, luxury canal boat is powered by a 72-volt Chloride motive power battery, as used in milk floats and industrial trucks and the fuel costs are approximately one-fifth of conventional boats with the overall running cost as little as one-seventh.

The motor used in the boat is rated at 8 hp, at 3 mph, although it is electronically governed to operate at 2.5 to 3 hp. Research was carried out by the Original Boat Company to identify the precise operating requirements. These included determining the size of the boat, the route, the time available for the journey, the location of mains supplies for re-charging, the speed limits applicable and the energy required for manoeuvring and carrying ancillary loads. The result is a pollution-free boat with a high degree of passenger comfort which is very easy to operate.

Low level spy plane with no pilot

Marconi Avionics Limited has now achieved the first flight of its unmanned air vehicle. Machan, the company's new research aircraft, is now undergoing flight evaluations, having made its first flight from the Royal Aircraft Establishment airfield at Bedford, England, on 19 February 1981.

The unusual shape of Machan derives from its role as an unmanned aircraft, to carry specialised, miniature, electronics payloads, including surveillance equipment. It typifies a new kind of air vehicle, capable of operating under remote control, over battlefields or other areas of interest. With a 12 foot wingspan and an 18 hp 2-stroke engine, it can carry 33 lb (15 kg) of payload for two hours, landing, at a chosen spot, on fibreglass skids.

The Machan programme, which is sponsored by the UK Ministry of Defence (Procurement Executive) and Marconi Avionics, includes development and proving of the air research vehicle, the ground control station and the all-important electronics payloads. As well as managing the overall programme, the company is developing these payloads and has produced the aircraft's advanced attitude and motion sensing system, the datalink and microprocessor-based ground control equipment. The latter is contained in a ground station, provided by the Royal Aircraft Establishment.

Aircraft description

Fixed shoulder-wing monoplane, with ducted pusher propeller, powered by Weslake twin-cylinder 18hp 2-stroke petrol engine. Diamond cross-section fuselage with flying controls on empennage, comprising all-flying 'tailerons' and rudder.

Leading particulars of model 01: length 7ft (2.13m), wingspan, initially, 12ft (3.66m), (to be reduced after initial handling trials), max speed (level flight) 115kt (59m/s), cruising speed 64kt (33m/s), gross t.o.w. 161 lb (73kg), payload 33lb (15kg), endurance (at cruising speed) 2 hours. Launch from tricycle 'drop-off' undercarriage, recovery by conventional approach or, in emergency, by parachute.

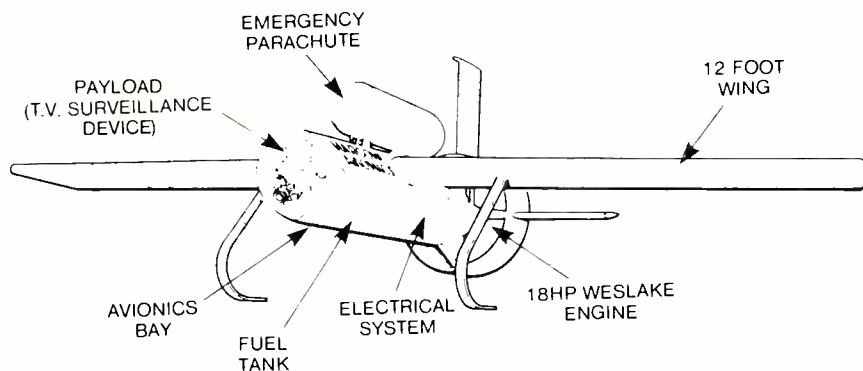
Avionics

Digital, microprocessor-based flight control system, with 68MHz command link. Stability augmentation and attitude reference from three axis 'strapdown' sensor package. Command and telemetry facilities can be used in conjunction with the ground station computer for investigating outer loop control without modifying equipment on board. First payload contains a non-gimballed TV camera to include stabilised, steerable imaging sensors.

NASA cuts threaten European research

THE decision by NASA to cancel the American spacecraft forming part of the two-spacecraft International Solar Polar mission (ISPM) has been rejected by the European Space Agency, the partner in this cooperation.

At a high level meeting between the two Agencies on Monday 23 February in New York, NASA explained that it had to take this decision because of the severe budgetary cuts imposed on NASA by the Office of Management and Budget in the preparation of the Reagan Administration's federal budget. ESA stated at the meeting that the cancellation of the NASA satellite, which was effected without consultation, was a unilateral breach of the Memorandum of Understanding between the two Agencies, and that this cancellation was therefore unacceptable to ESA, which requested full restoration of the programme to its original level. ESA also stressed that unilateral actions of this kind would be detrimental to future space cooperation between Europe and the United States. The ESA position is motivated by the fact that the decision was taken by NASA without consultation and by the fact that, as a result of this decision, European scientists from some 17 scientific institutes who were supplying experiments for the NASA spacecraft would no longer be able to fly them. The experiments were already in an advanced state of development, and more than 50% of the total costs had been committed and would consequently be lost without corresponding scientific return. In addition, ESA remarked that when the ISPM project was decided by the ESA Science Programme Committee in 1979, it was chosen in preference to a number of other, purely European missions because of the value ESA attached to transatlantic cooperation.



Threat to Public service broadcasting

Public service broadcasting in the USA, very much a minority service, faces proposals that it should be commercialised, as a result of the public spending reductions intended by the Reagan administration. "Perhaps the time has come for some form of limited advertising on public tv and radio" said the Republican Senator Goldwater recently. He was introducing a bill which calls for significant reduction in government funding for US public service broadcasting in 1984-86 and urges the FCC to reconsider its present restrictions on the sale of advertisement time by such stations.

Meanwhile, according to *Weekly Television*

Digest, a more immediate proposal of the Reagan administration to cut the 1982-83 funding of public service broadcasting by some 25% has been staved off by the Senate Budget Committee. Members of this committee said that Congress should not rescind the appropriations as it had already committed itself through the advance funding process. One Democratic commentator said that, although he thought the administration's proposals were not a politically motivated attack on public service broadcasting, nevertheless if they were approved they "would set the precedent for further compromises of public broadcasting's independence in the future."

Selling publications by Prestel

The Technical Publications Department of Mullard Ltd has formed a 'Publications Club' which enables members with viewdata terminals to order publications direct from an index displayed on Prestel simply by feeding in an identity number, using the conventional keypad issued with all viewdata terminals. Previously it had only been possible to operate such a direct-

order service if the customer had access to an alphanumeric keyboard hooked up to a viewdata terminal. The Technical Publications Department (TPD) index is displayed on page 5562014 of Prestel. Customers wishing to become members of the Publications Club should apply to Technical Publications Department, Mullard Ltd, New Road, Mitcham, Surrey CR4 4XY, for further details.

Rumblings over C.b

While welcoming the announcement from the Home Office that Citizens' Band radio is to be made legal in Autumn, The National Committee for the Legalisation of Citizens' Band Radio (Natcolcibar) are disappointed at the selection of a frequency modulated system. They argue that some 300,000 people are already using the a.m. system; the European C.B. Federation has called for the adoption of 27MHz a.m. as a pan-European system, since it is already in legal use in 12 European countries. Those countries with a legal f.m. system have experienced widespread illegal use of a.m. : a.m. equipment is readily and cheaply available on the world market.

Consequently they are making strong representations to the Home Office to get the proposals altered.

● At a recent meeting of the Joint Council for Legalisation of 27MHz Citizens' Band Radio, a number of 'breakers', as the enthusiasts call themselves, expressed their dissatisfaction with the Government proposals. The Joint Council has issued an Open Channel Preferred Specification which conforms to the U.S. Federal Communications Commission's specification with additional, more stringent specifications in respect of harmonic and spurious signal emissions, to avoid interference.

The Joint Council estimates that over a million people are using c.b. sets illegally; many of the breakers present at the meeting expressed a determination to continue to use a.m. sets even if they are not made legal by the proposed legislation. Annette Box, who uses the code-name or 'handle' of 'Yellow Peril' chose to go to Holloway Prison rather than pay the £600 fine imposed for illegal c.b. transmission.

All-Electronics Show

Sponsored for the first time by the Electronics Components Industry Federation, the fifth All-Electronics/ECIF Show runs from Wednes-

day, 22nd to Friday, 24th April, 1981, at the Grosvenor House, Park Lane, London.

The exhibition has a record 249 stands with over 350 companies exhibiting. Tickets may be obtained free by sending s.a.e. to Mrs Theresa Austin, The All-Electronics Show, 34-36 High Street, Saffron Walden CB10 1EP.

News in brief

New Fellows of the Royal Society elected at a meeting of the Society on 19th March include the following who have made some 'outstanding contribution' to their field of research: Dr D. M. Brink, studies on nuclear structure and nuclear reactions; Dr J. A. Barker, statistical mechanics and thermodynamics of molecular systems; Prof I. Butterworth, meson and baryon spectroscopy; Dr B. Carter, general relativity and astrophysics; Dr E. R. Pike, statistical optical spectroscopy; Prof K. A. Pounds, solar and cosmic X-ray astronomy; Prof D. J. Wheeler, design of digital computers and programming systems. We congratulate them and the other new Fellows, recipients of the 'knight-hood of British science'.

The **International Electrotechnical Commission (I.E.C.)** has pointed out to us that this year includes the 150th anniversary of the discovery of electromagnetic induction by Michael Faraday, the centenary of the first International Electrical Congress, where international standards of units of measurement were reached, as well as the 75th anniversary of the founding of the I.E.C.

The **Second London Computer Fair**, organised by the London Computer Clubs is due to be held at the time that this issue of WW reaches the newsagents. So if you happen to be reading this before the rest of our erudite contributions there may yet be time to dash round to the North London Polytechnic, Holloway, London N7 on 14th to the 16th April. There will be seminars, demonstrations and on the Thursday, a bring-and-buy sale.

Detecting wind speed by radar

The Plessey WF3M is currently the primary sensor of upper winds in the British Army's Artillery Meteorological System. Its light weight and basic simplicity make the WF3M ideal for use in hazardous environmental conditions. It tracks automatically after the initial acquisition of a passive balloon target. Positional data of the target is then available in digital form for computer processing and displayed on decimal indicators for manual processing if preferred. Only minimal supervision by a single operator at the control and display position is required. The use of solid state techniques ensures high reliability and ease of maintenance involving a minimum of logistic support and training.



Time sharing limited mains supplies

Automatic digital control for sharing mains power

by L. Hayward

If a number of loads on the same mains source requires more power than is available, some means of automatic power time-sharing is often the only practical way of avoiding blown fuses and overloaded generators and cables. The author was faced with the problem of using a 4kVA generator to drive a domestic cooker requiring 9kW with all its elements in operation. Although the design was originally intended for use in the kitchen it will be of value in any application where a number of cyclically heated devices are to be powered from a limited mains supply.

The problem that led to the designing of this circuit arose when a cooker rated at 9kW with all its elements in operation had to be driven from a 4kVA generator. Manual switching of the elements to share the power was possible but tedious and any mistake could have caused an overload, so some means of automatic power sharing was sought.

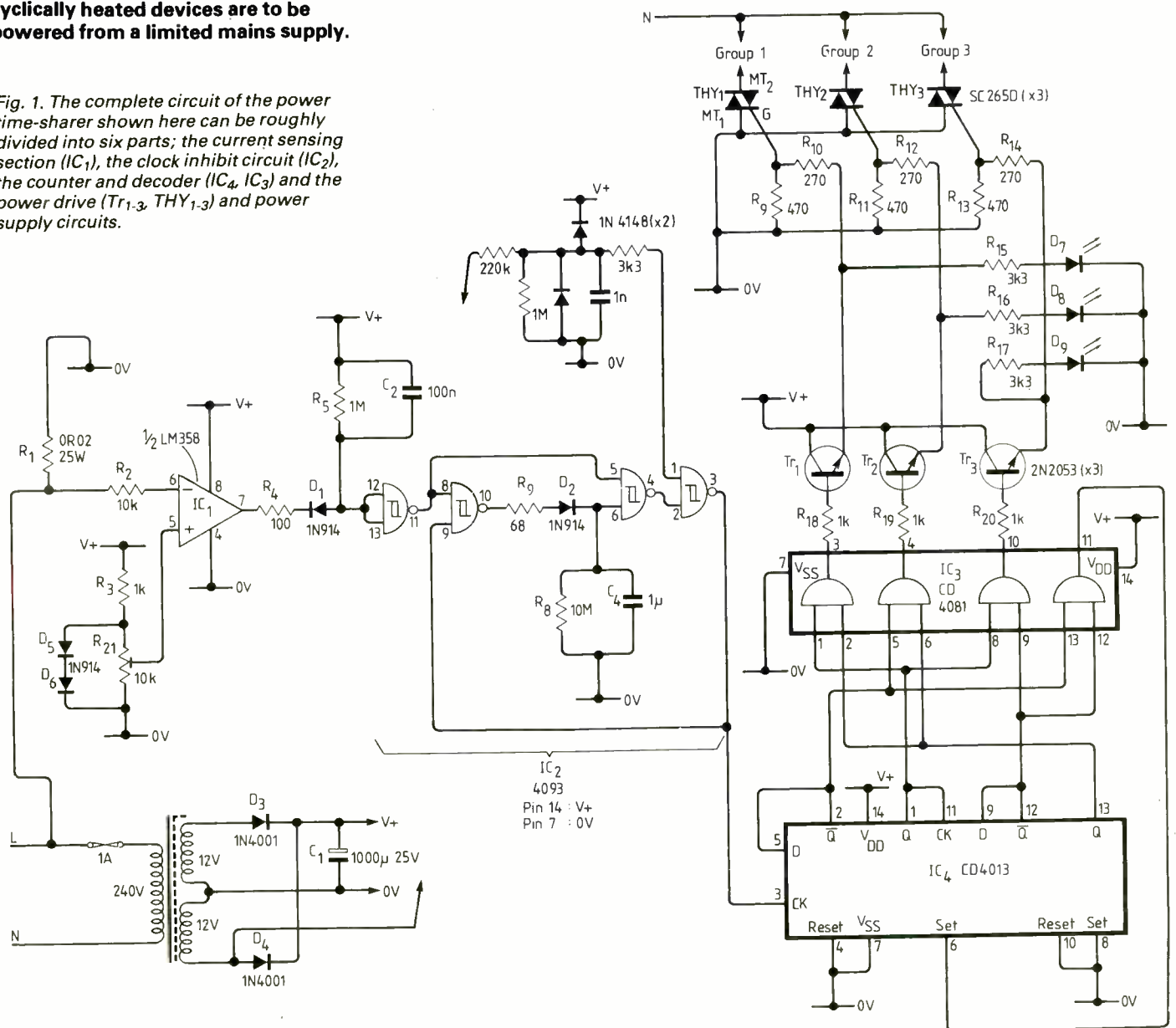
It was found that the elements of the cooker could easily be divided into three groups, each of which when driven alone

would not overload the generator. All that remained was to design the following circuit to time-share the power between two or three of the groups automatically when the need arose.

Operating principle

The circuit is activated by switching on the cooker at its main terminal. To simplify the following explanation the term a 'group requiring power' is used to describe a group or part of a group which has been

Fig. 1. The complete circuit of the power time-sharer shown here can be roughly divided into six parts; the current sensing section (IC₁), the clock inhibit circuit (IC₂), the counter and decoder (IC₃, IC₄) and the power drive (Tr₁₋₃, THY₁₋₃) and power supply circuits.



switched into the circuit either by the operator via the cooker control panel or by a thermostat.

When the circuit is activated but none of the groups require power each group is scanned in a 1-2-3-1 sequence to check whether it requires power. The scanning rate is determined by the mains frequency derived clock signal. When any group requires power it is detected by a current sensing circuit and the scanning stops. That group is then powered for around seven seconds and then the scanning continues. If the power requirement of the group ceases in less than seven seconds the scanning continues from that point. Because the scan time is very small in relation to each seven second power-up time full use of the available power is made however many groups are switched in.

To summarize, if only one group requires power it receives power constantly apart from the small scan time at the end of each seven second period. If two groups require power they each receive it alternately for seven second periods. When all three groups require power each receives it in turn for seven second periods according to the 1-2-3-1 sequence.

Circuit operation

Load switching is achieved by 40A triacs sequentially driven from a ring-of-three counter and decoder whose outputs are buffered by $Tr_{1,3}$. These transistors can also be used to drive optional l.e.d.s for monitoring the outputs. The triacs chosen have a higher current rating than is strictly necessary, so that heat sinks may be kept small, and to withstand enough current to trip a circuit breaker in the event of a short circuit.

The 240V a.c. input is transformed to provide the low voltage supply and clock signal. All mains current output passes

through R_1 which is made up of five $0.1\Omega, 5W$ resistors connected in parallel. This low resistance value was chosen to reduce dissipation and avoid wasting power. When the voltage across this resistor exceeds a preset level the comparator output changes to logic 0 on every positive half cycle. The time constant of R_1, C_2 is chosen to integrate these pulses sufficiently to provide a constant logic 1 at the output of the first Schmitt trigger. When no current is drawn from the mains the first Schmitt trigger output will be low and the output of the third trigger (pin 4, IC_2) will be high and mains frequency clock pulses will be admitted to the counter, IC_4 . This counter is a modified divide by four circuit.

The decoder consists of four AND gates, the outputs of which go sequentially high as long as clock pulses are received by the counter. Three of the gates, when high, each trigger one triac through a buffer transistor. The fourth gate sets the counter to restart the sequence. If a load is connected to any of the triacs, the momentary triggering caused by the scan causes a voltage drop over R_1 . The comparator changes state and the Schmitt trigger configuration blocks the clock pulses from the counter for a period determined by R_8/C_4 - about seven seconds. The triac concerned remains triggered for this period normally but if the load is removed from the triac within the seven seconds the comparator changes state again and the clock is no longer blocked as pin 4 of IC_2 changes state.

Construction

Although the circuit is fairly simple to construct there are one or two points which must be mentioned here for safety reasons. So that the mains live side be switched it is necessary to connect the cir-

cuit's 0V rail through R_1 to the live side of the mains. Consequently the whole circuit is live and must be enclosed to eliminate any possibility of accidental touching. The circuit must be completely isolated from its enclosure and from the chassis of the cooker. Don't forget that any heatsinks connected to the triacs will be live also. On no account should the circuit be wired such that current for the cooker is drawn through the printed circuit or Veroboard rails.

The only setting up required is the adjustment of VR_1 so that the minimum load is just sufficient to stop the counter.

In theory, if all three groups of the cooker are demanding power at the same time then the heating time per group will be three times longer than when only one group is used. In practice this has not been found to be a problem because cookers are rarely used to their ultimate temperature capability and any thermostatically controlled elements only switch on for brief periods once the set temperature is reached. \square

Literature received

Microcomputer analogue I/O systems for several types of bus, together with data converter modules for lab. and industrial application, are all described in a new catalogue from Data Translation, Ltd, an American company which has its UK sales office at 430 Bath Road, Slough, Berks. SL1 6BB. WW401

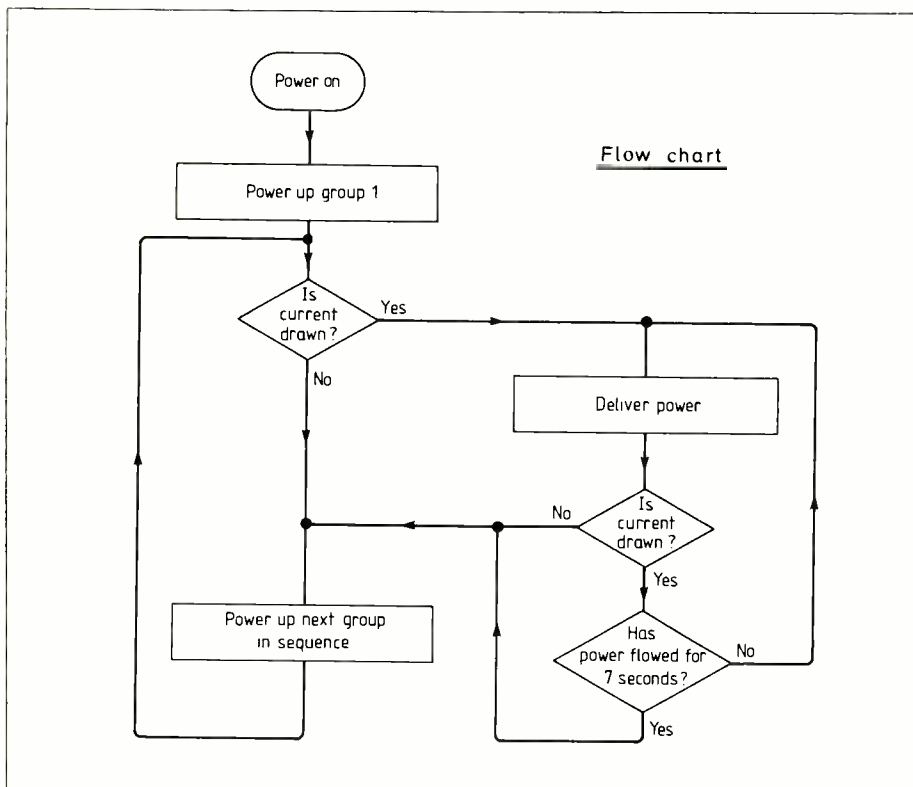
Information on the Fiberfil range of flame-retardant, reinforced thermoplastic compounds, including processing information, is contained in a leaflet produced by Fiberfil Europe, c/o Capital Controls Division, Dart Industries, Crown Quay Lane, Sittingbourne, Kent ME10 3JE. WW402

Over 1600 power semiconductor devices, made by Marconi Electronic Devices Ltd (MEDL) are listed, with their salient electrical characteristics and mechanical information in a 26 page guide, which can be obtained from MEDL at Carholme Road, Lincoln LN1 1SG. WW403

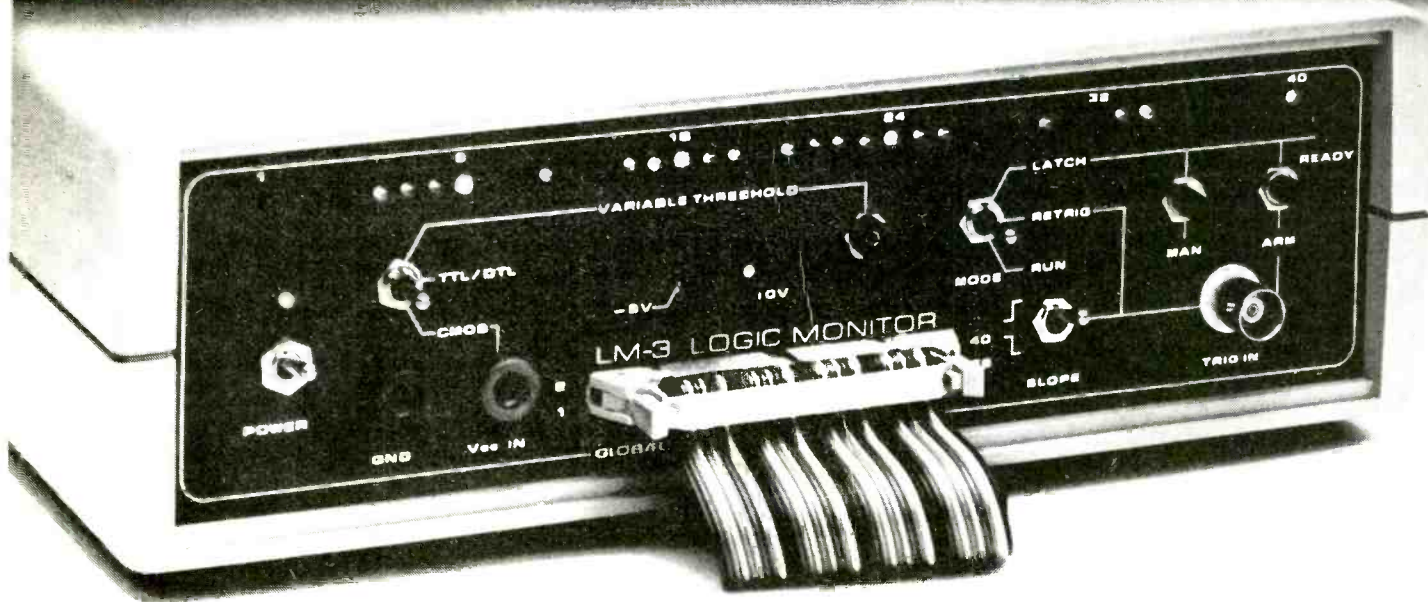
Two impressive publications from Plessey provide an overview of the company and its products. An index of products is included. 'Plessey Product Directory' and 'Plessey Group' are available from The Publicity Liaison Unit, Vicarage Lane, Ilford, Essex. WW404

The ZIP ASR/K7 terminal is a printer, a keyboard and two mini-cassette drives in one unit, and will perform the function of a paper tape reader and punch terminal. A leaflet on the equipment is published by Data Dynamics Ltd, Data House, Springfield road, Hayes, Middlesex. WW405

British Standard BS3363:1980 is entitled 'Specifications for Letter Symbols for Semiconductor Devices and Integrated Microcircuits', replacing BS3363:1968. It is available at £16.50 from British Standards Institution, 2 Park Street, London W1A 2BS. Two supplements are also published at £12 and £9.



ODDS ON



Introducing GSC's Model LM-3 Logic Monitor: a new breed of test instrument, and a real winner. Providing instant information, at a single glance, on the logic states of up to 40 separate test points, the LM-3 gives the user a direct check on the operation of the most complex logic circuitry — and at a fraction of the cost of conventional logic analysers.

The LM-3 is an odds-on favourite for anyone looking for value for money in digital troubleshooting. It combines 40 fast-operating high-impedance precision logic-state indicators in a single compact package, and displays the results on a linear array of 40 light-emitting diodes — numbered so that the user can see the condition of specific test points instantly.

And the LM-3 really reveals its thoroughbred capabilities in its triggering facilities and versatile operating modes: the RUN mode for following up to 40 channels of data; the LATCH mode for storing and displaying the data; and the RETRIG mode for updating the latched data on each subsequent trigger.

Applications? — the field is wide open, limited only by the user's imagination. Just connect the test clips to any combination of bus lines, test points, integrated-circuit pins or other circuit nodes. Device testing, system troubleshooting, side-by-side tests against known good circuits, following logic trees — the LM-3 provides all these capabilities. And, as an added bonus, it even makes an ideal tool in education and training for demonstrating the fundamentals of digital systems.

Performance? — Like all products from the GSC stable, the LM-3 offers some rather special features: * 40 logic channels, * Triggerable memory, * Variable threshold covering past, present and future logic families from ECL to C-MOS, * Constant input impedance at every threshold level, * 5MHz channel response.

And the LM-3's pedigree is backed up by a support package which includes test clips, cables, connectors and an application manual as innovative as the instrument itself.

The Starting Price? — only *£290 and you'll find no handicaps with the LM-3. For more on the LM-3 and GSC's other logic-testing aids, fill in the coupon now. You won't regret it.



*Price excludes post, packing + VAT

TOMORROW'S TOOLS TODAY

GLOBAL SPECIALTIES CORPORATION



G.S.C. (UK) Limited, Dept. 7KK,
Unit 1, Shire Hill Industrial Estate,
Saffron Walden, Essex CB11 3AQ.
Telephone: Saffron Walden (0799) 21682
Telex: 817477

G.S.C. (UK) Limited, Dept. 7KK, Unit 1, Shire Hill Industrial Estate, Saffron Walden, Essex CB11 3AQ.

Model LM-3	LOGIC MONITOR	Unit price inc P&P 15% VAT £336.37	Only Request
------------	---------------	------------------------------------	--------------

Name _____
Address _____

I enclose cheque/P.O. for £ _____ or debit my Barclaycard/Access/
American Express card no. _____ exp. date _____

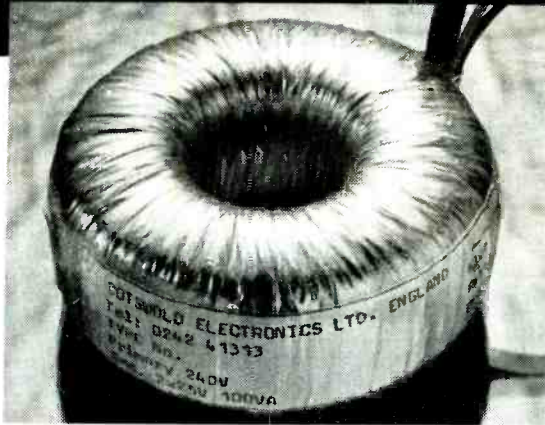
FOR IMMEDIATE ACTION — The G.S.C. 24 hour, 5 day a week service.
Telephone (0799) 21682 and give us your Barclaycard, Access, American
Express number and your order will be in the post immediately.

For FREE catalogue tick box

WW-017 FOR FURTHER DETAILS

Cotswold Electronics Toroidal Power Transformers

Budget range for the amateur and professional



Type	VA	Secondary		Dimensions		Weight Kg	Price	
		Volts RMS	Current RMS	Dia.	Height			
C1000	30	6+6	2.50	70mm	30mm	0.45	£4.55	
C1001	30	9+9	1.67	70mm	30mm	0.45		
C1002	30	12+12	1.25	70mm	30mm	0.45		
C1003	30	15+15	1.00	70mm	30mm	0.45		(+£1.10 p.p. + 0.84 VAT)
C1004	30	18+18	0.83	70mm	30mm	0.45		
C1005	30	22+22	0.68	70mm	30mm	0.45		
C1006	30	25+25	0.60	70mm	30mm	0.45		
C1007	30	30+30	0.50	70mm	30mm	0.45		

C1010	60	9+9	3.33	87mm	33mm	0.75	£4.86	
C1011	60	12+12	2.50	87mm	33mm	0.75		
C1012	60	15+15	2.00	87mm	33mm	0.75		
C1013	60	18+18	1.67	87mm	33mm	0.75		(+£1.43 p.p. + 0.94 VAT)
C1014	60	22+22	1.36	87mm	33mm	0.75		
C1015	60	25+25	1.20	87mm	33mm	0.75		
C1016	60	30+30	1.00	87mm	33mm	0.75		
C1017	60	110	0.55	87mm	33mm	0.75		
C1018	60	220	0.27	87mm	33mm	0.75		
C1019	60	240	0.25	87mm	33mm	0.75		

C1020	100	12+12	4.17	88mm	40mm	1.00	£5.70	
C1021	100	15+15	3.33	88mm	40mm	1.00		
C1022	100	18+18	2.78	88mm	40mm	1.00		
C1023	100	22+22	2.27	88mm	40mm	1.00		(+£1.43 p.p. + £1.07 VAT)
C1024	100	25+25	2.00	88mm	40mm	1.00		
C1025	100	30+30	1.67	88mm	40mm	1.00		
C1026	100	110	0.91	88mm	40mm	1.00		
C1027	100	220	0.45	88mm	40mm	1.00		
C1028	100	240	0.42	88mm	40mm	1.00		

NOTE: All types normally supplied with 240 V primary 110 V, 220 V or other voltage supplied on request.

24 hour answering service: You may telephone your order throughout 24 hours quoting your Access or Barclaycard number. Phone number 0242-41313.

● A budget range of Toroidal transformers from the people backed by 25 years of experience supplying the high technology industries of avionics, telecommunications, electro-medical etc. - Transformers constructed from highest grades of grain oriented silicon steel to give operation at high flux density with very low iron losses resulting in high efficiency. ● A reduction of up to half the weight and volume and radiated field as low as one tenth when compared with laminated conventional equivalents. ● Each transformer supplied with fixing kit and technical information sheet.

Cotswold Electronics Ltd Cheltenham GL51 9NX

Type	Mains Voltage	Secondary Volts	VA	Qty

I enclose Cheque P.O. Money Order

Access/Barclaycard No.

Name

Address

Postal Code

Telephone No.

FREEPOST only: We pay postage on all enquiries and orders. Address your envelope: Dept W Cotswold Electronics Ltd, FREEPOST, Cheltenham Glos. GL51 1BR (No stamp required)

Type	VA	Secondary		Dimensions		Weight Kg	Price	
		Volts RMS	Current RMS	Dia.	Height			
C1030	160	18+18	4.44	108mm	42mm	1.5	£8.40	
C1031	160	22+22	3.64	108mm	42mm	1.5		
C1032	160	25+25	3.20	108mm	42mm	1.5		
C1033	160	30+30	2.67	108mm	42mm	1.5		(+£1.73 p.p. + £1.52 VAT)
C1034	160	35+35	2.29	108mm	42mm	1.5		
C1035	160	110	1.46	108mm	42mm	1.5		
C1036	160	220	0.73	108mm	42mm	1.5		
C1037	160	240	0.67	108mm	42mm	1.5		

C1040	230	25+25	4.60	115mm	50mm	2.2	£10.20	
C1041	230	30+30	3.83	115mm	50mm	2.2		
C1042	230	35+35	3.29	115mm	50mm	2.2		
C1043	230	40+40	2.88	115mm	50mm	2.2		(+£1.73 p.p. + £1.79 VAT)
C1044	230	110	2.08	115mm	50mm	2.2		
C1045	230	220	1.05	115mm	50mm	2.2		
C1046	230	240	0.96	115mm	50mm	2.2		

C1050	330	25+25	6.60	130mm	52mm	2.8	£11.90	
C1051	330	30+30	5.50	130mm	52mm	2.8		
C1052	330	35+35	4.71	130mm	52mm	2.8		
C1053	330	40+40	4.13	130mm	52mm	2.8		(+£1.90 p.p. + £2.07 VAT)
C1054	330	45+45	3.67	130mm	52mm	2.8		
C1055	330	110	3.00	130mm	52mm	2.8		
C1056	330	220	1.50	130mm	52mm	2.8		
C1057	330	240	1.38	130mm	52mm	2.8		

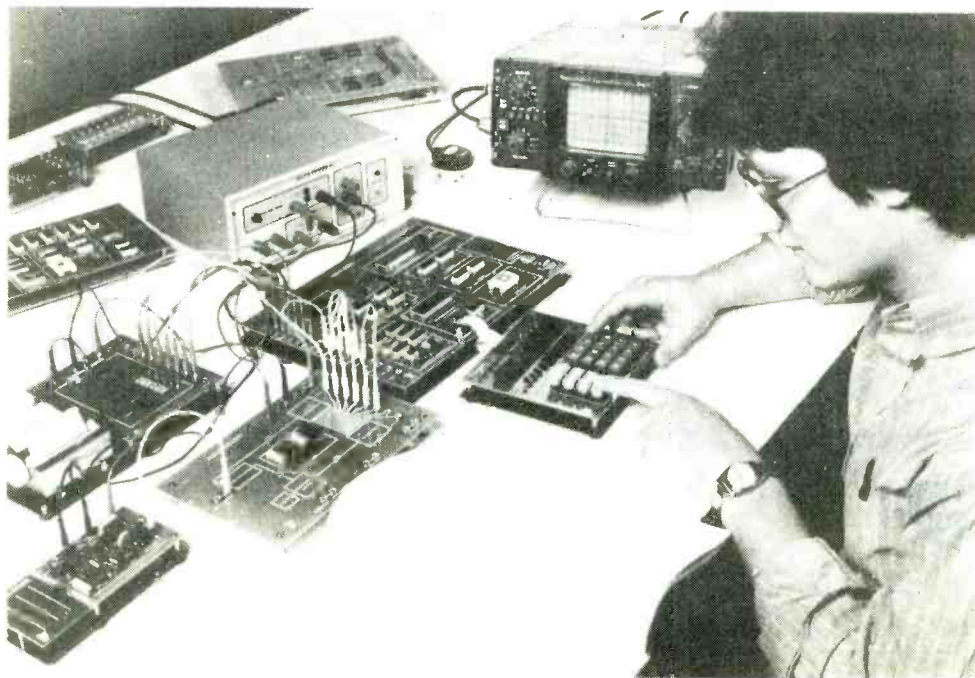
C1060	530	30+30	8.83	145mm	60mm	3.8	£15.80	
C1061	530	35+35	7.57	145mm	60mm	3.8		
C1062	530	40+40	6.63	145mm	60mm	3.8		
C1063	530	45+45	5.89	145mm	60mm	3.8		(+£2.05 p.p. + £2.68 VAT)
C1064	530	50+50	5.30	145mm	60mm	3.8		
C1065	530	110	4.82	145mm	60mm	3.8		
C1066	530	220	2.41	145mm	60mm	3.8		
C1067	530	240	2.21	145mm	60mm	3.8		

Cotswold Electronics Ltd., Cheltenham GL51 9NX

WW-034 FOR FURTHER DETAILS

L. J. ELECTRONICS LIMITED

MICROELECTRONIC AND MICROPROCESSOR SYSTEMS FOR EDUCATION



Send for details of our:-

- ★ Microprocessor Systems
- ★ Peripheral Hardware
- ★ Test Equipment
- ★ Digital Patching Systems
- ★ Analogue Patching Systems
- ★ Laboratory Power Supplies

L. J. ELECTRONICS LTD.,
9, Francis Way,
Bowthorpe Ind. Est.,
Norwich,
NR5 9JA.
Tel: Norwich 746340
Telex: 975504

WW-050 FOR MORE DETAILS

Universal second-order filter uses single op-amp

Design equations for hybrid i.c. filters

by F. S. Atiya, A. M. Soliman and T. N. Saadawi, Cairo University

This network can realise the various forms of second-order transfer functions, whether non minimum-phase transfer functions such as a notch filter or an all-pass network, or minimum-phase transfer functions such as low, high and band-pass filters. Its importance lies in using one active device. The universal network has the advantages of being canonic, always stable and capable of realizing a high pole Q. Both passive and active sensitivities are given and the effect of the one-pole roll-off model of the operational amplifier examined in detail; the circuit having low sensitivities to the gain-bandwidth product of the operational amplifier.

Integrated monolithic construction offers many advantages that are attractive to the designer of active filters. One of these is the reduction in cost, particularly if the filter is manufactured in large quantities. Unfortunately there is the problem of how to cover the numerous requirements specified by every application. A solution to this problem may be to design a limited number of standardized filter building blocks for a given frequency range. Then for a specific application, certain combinations of some of them may be used to produce a filter having the desired characteristics. The total number of building blocks can be reduced either by controlling certain characteristics of each block with a single element, or by overdesigning to satisfy excessive requirements.

The use of the first-order all-pass section as the basic building block for second-order transfer functions has been given by Moschytz¹ and Aronhime², but the Moschytz realization requires three or four op-amps, and Aronhime's is limited to all-pass transfer functions and requires two op-amps. Also both networks are not canonic.

Here a network based on using a first-order all-pass section is introduced. The circuit is capable of realizing the various forms of second-degree transfer functions. The universal filter has the advantages of using one op-amp, being always stable and canonic and capable of realizing a high pole Q. A unity gain factor is obtained in the case of high-pass, all-pass and notch responses. The ω_p and the pole Q sensitivities to passive and active circuit components are derived, and the effect of the limited frequency response of the op-amp given.

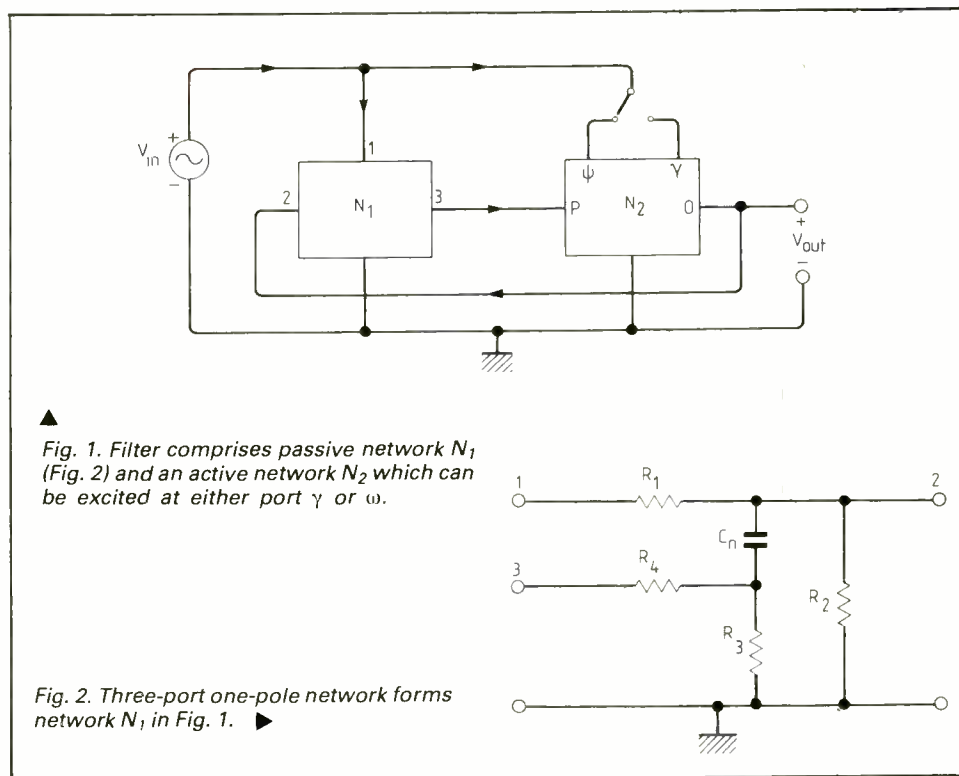


Fig. 1. Filter comprises passive network N_1 (Fig. 2) and an active network N_2 which can be excited at either port γ or ω .

Fig. 2. Three-port one-pole network forms network N_1 in Fig. 1.

General configuration

The new filter consists of two networks, Fig. 1, the first a three-port one-pole passive network N_1 , the second a four-port one-pole active network N_2 . Network N_1 is excited at port 1 by the input voltage V_{in} , and at port 3 by the output voltage V_0 . The output voltage V_2 of the network N_1 is

$$V_2 = V_{in}T_{12} + V_0T_{32} \quad (1)$$

where $T_{12} = \left. \frac{V_2}{V_1} \right|_{V_3=0}$ $T_{32} = \left. \frac{V_2}{V_3} \right|_{V_1=0}$

Network N_2 is excited at port P by the voltage V_2 , which is the output voltage of N_1 . There are three cases regarding excitations at ports γ and ψ .

Case 1: N_2 is excited at port γ by the input voltage, while port ψ is left open circuit. In this case

$$V_0 = V_{in}T_{\gamma} + V_pT_p \quad (2)$$

where $T_{\gamma} = \left. \frac{V_0}{V_{in}} \right|_{V_p=0, \psi \text{ o.c.}}$ $T_p = \left. \frac{V_0}{V_p} \right|_{V_{in}=0, \psi \text{ o.c.}}$

From equations 1 & 2 the overall voltage transfer function is

$$\frac{V_0}{V_{in}} = \frac{T_{\gamma} + T_pT_{12}}{1 - T_pT_{32}} \quad (3)$$

Case 2: N_2 is excited at port ψ by V_{in} , while $V_{in}=0$. Here

$$V_0 = V_{\psi}T_{\psi} + V_pT_p \quad (4)$$

where $T_{\psi} = \left. \frac{V_0}{V_{\psi}} \right|_{V_p=0, V_{in}=0}$ $T_p = \left. \frac{V_0}{V_p} \right|_{V_{\psi}=0, V_{in}=0}$

Using equation 1 again,

$$\frac{V_0}{V_{in}} = \frac{T_{\psi} + T_pT_{12}}{1 - T_pT_{32}} \quad (5)$$

Case 3: $V_{in}=0$, while port ψ is left open circuit. In this case $V_0 = V_2T_p$. Therefore

$$\frac{V_0}{V_{in}} = \frac{T_pT_{12}}{1 - T_pT_{32}} \quad (6)$$

The passive RC one-pole three-port network, Fig. 2, has the following transfer functions

$$T_{12}(s) \equiv \left. \frac{V_2}{V_1} \right|_{v_3=0} = \frac{Kb}{s+b} \quad (7)$$

$$T_{32}(s) \equiv \left. \frac{V_2}{V_3} \right|_{v_1=0} = \frac{Ms}{s+b} \quad (8)$$

where $b = \frac{R_1+R_2}{C_n R_1 R_2}$, $K = \frac{R_2}{R_1+R_2}$

and $M = \frac{R_3}{R_3+R_4}$

and assuming that the resistive attenuator (R_3 and R_4) is much smaller than $1/sC_n$.

The network in Fig. 3 represents the four-port first-order network². It realizes $T_v(s)$ as a one-pole all-pass transfer function by applying the input voltage at terminal γ , with terminal ψ left open circuit ($R_D = \infty$), or as a one-pole low-pass transfer function with negative gain constant $T_p(s)$ by applying V_{in} at terminal ψ while terminal γ is earthed. At the same time, it can realize $T_p(s)$ which is a one-pole low-pass characteristic with a positive gain constant. Referring to Fig. 3 and taking into consideration the effect of finite gain of the op-amp,

$$T_v(s) \equiv \left. \frac{V_0}{V_\gamma} \right|_{\substack{v_p=0 \\ \psi \text{ o.c.}}} = \frac{s - \frac{\alpha a}{1 + \frac{\alpha + 1}{A}}}{s + a} \quad (9)$$

$$T_v(s) \equiv \left. \frac{V_0}{V_\psi} \right|_{\substack{v_\gamma=0 \\ v_\psi=0}} = \frac{-ma}{s+a} \cdot \frac{1}{(1 + \frac{\alpha + m + 1}{A})}$$

$$T_p(s) \equiv \left. \frac{V_0}{V_p} \right|_{\substack{v_\gamma=0 \\ \psi \text{ o.c.}}} = \frac{a(\alpha + 1)}{s+a} \cdot \frac{1}{(1 + \frac{\alpha + 1}{A})}$$

where $a = \frac{1}{CR_A}$, $\alpha = \frac{R_C}{R_B}$ and $M = \frac{R_C}{R_D}$. (10)

As $A \rightarrow \infty$ the above equations reduce to

$$T_v = \frac{s - \alpha a}{s + a}$$

which realizes a first-order all-pass if $\alpha = 1$

$$T_v = \frac{-ma}{s+a} \quad (11)$$

$$T_p = \frac{a(\alpha + 1)}{s+a}$$

Also the transfer function T_p which is defined in equation 4 is

$$T_p = \frac{a(\alpha + m + 1)}{s+a} \quad (12)$$

Filter realization and design equations

Combining the networks of Figs 2 & 3 and guided by the block diagram of Fig. 1, the universal second-order filter is obtained as shown in Fig. 4. First the realization of all-pass, notch and high-pass characteristics. Here the transfer function is given by equation 3, using equations 7, 8, 9 and 10 and as there are extra degrees of freedom choose $R_3 + R_4 \gg R_A$ to minimize the effect of loading. Thus the transfer function is

$$T(s) \equiv \frac{V_0}{V_{in}} = \frac{s^2 \left(1 + \frac{\alpha + 1}{A} \right) - s \left[\alpha a - b \left(1 + \frac{\alpha + 1}{A} \right) \right] + ab[K(\alpha + 1) - \alpha]}{s^2 \left(1 + \frac{\alpha + 1}{A} \right) + s \left[a + b - cM(\alpha + 1) + a + b \right] \left(\frac{\alpha + 1}{A} \right) + ab \left(1 + \frac{\alpha + 1}{A} \right)}$$

As $A \rightarrow \infty$, equation 13 becomes

$$T(s) = \frac{s^2 - s[\alpha a - b] + ab[K(\alpha + 1) - \alpha]}{s^2 + s[a + b - aM(\alpha + 1)] + ab} \quad (14)$$

By choosing proper values for the parameters a , b , and K the above equation can realize all-pass, notch and high-pass transfer functions having

$$\omega_p = \sqrt{ab}, \quad Q_p = \frac{\sqrt{ab}}{a + b - aM(\alpha + 1)} \quad (15)$$

For simplicity of design, choose $\alpha = 1$ (i.e. $R_B = R_C$). Thus equation 14 reduces to

$$T(s) = \frac{s^2 - s(a - b) + ab(2K - 1)}{s^2 + s(a + b - 2Ma) + ab} \quad (16)$$

All-pass filter

Equation 16 realizes an all-pass transfer function if $K = 1$ (i.e. $R_1 \ll R_2$) and $b = aM$. Using the above relation between the two time constants a and b , and for $\alpha = 1$, the ω_p and Q_p of the transfer function become

$$\omega_p = a\sqrt{M}, \quad Q_p = \frac{\sqrt{M}}{1 - M}$$

For the case of interest, namely $Q_p \ll 1$, the above equations can be solved to give the following design formulae

$$M \approx 1 - \frac{1}{Q_p} \text{ thus } \frac{R_3}{R_4} \approx Q_p - 1$$

$$a \approx \omega_p \left(1 + \frac{1}{2Q_p} \right) \quad b \approx \omega_p \left(1 - \frac{1}{2Q_p} \right)$$

In tuning the filter the potential divider R_3 , R_4 is adjusted first to set Q_p to the required value and then the two capacitors are tuned to set ω_p .

Notch filter

Equation 16 realizes a notch characteristic if $K = 1$, and $a = b$. Thus

$$\omega_p = a, \quad Q_p = \frac{1}{2(1 - M)}$$

The design equations are

$$M = 1 - \frac{1}{2Q_p} \text{ thus } \frac{R_3}{R_4} = 2Q_p - 1 \quad (17)$$

$$a = b = \omega_p \quad (18)$$

High-pass filter

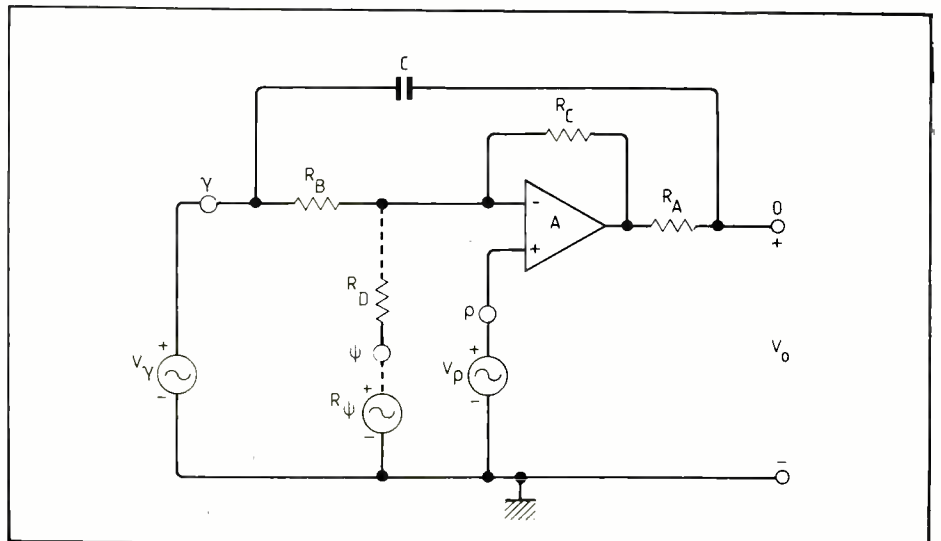
A high-pass transfer function is obtained if $K = 1/2$ (i.e. $R_1 = R_2$), and $a = b$. Thus ω_p and Q_p are the same as in the case of a notch filter, and therefore the design equations for M , a and b are given by equations 17 and 18.

Low-pass filter

The low-pass filter in Fig. 4(b) is slightly different from that in Fig. 4 (a), as terminal γ is grounded instead of being excited by the input voltage. Thus the transfer function in this case is given by equation 6. Using equations 7, 8 and 10 and substituting in 6, assuming $R_3 \gg R_A$, the transfer function is

$$T(s) = \frac{Kab(\alpha + 1)}{s^2 \left[1 + \frac{\alpha + 1}{A} \right] + s \left[a + b - aM(\alpha + 1) + (a + b) \left(\frac{\alpha + 1}{A} \right) \right] + ab \left[1 + \frac{\alpha + 1}{A} \right]}$$

Fig. 3. Four-port active network realizes an all-pass function with the input at γ and ω open circuit, or a low-pass function with input at γ and ψ earthed.



op-amp, ω_1 is the open-loop 3-dB bandwidth, and $GB=A_0 \omega_1$ is the gain-bandwidth product. When equation 19 is substituted in 13, the denominator of $T(s)$ becomes $D(s)=$

$$s^2 + \frac{\omega_p}{Q_p} s + \omega_p^2 + \frac{(\alpha+1)}{GB} s(s^2 + s(a+b) + ab)$$

For the special case $\alpha=1, a=b$, thus

$$D(s) = s^2 + \frac{\omega_p}{Q_p} s + \omega_p^2 + \frac{2s}{GB} (s^2 + 2\omega_p s + \omega_p^2)$$

Following the Budak-Petrela analysis³, the relative change in ω_p and Q_p due to the limited frequency response of the op-amp are

$$\frac{\Delta\omega_p}{\omega_p} = -\left(2 - \frac{1}{Q_p}\right) \frac{\omega_p}{GB} \approx -\frac{2\omega_p}{GB} \text{ for } Q_p \gg 1/2$$

$$\frac{\Delta Q_p}{Q_p} = -\left(2 - \frac{1}{Q_p}\right) \frac{\omega_p}{GB} \approx -\frac{2\omega_p}{GB} \text{ for } Q_p \gg 1/2$$

Passive sensitivities

From equation 14 the ω_p and Q_p sensitivities to all passive circuit components are

$$S_C^{\omega_p} = +S_{C_n}^{\omega_p} = -1/2, S_{R_A}^{\omega_p} = -1/2$$

$$S_{R_1}^{\omega_p} = -1/2 \left(\frac{R_2}{R_1+R_2} \right), S_{R_2}^{\omega_p} = -1/2 \left(\frac{R_1}{R_1+R_2} \right)$$

$$S_{R_3}^{\omega_p} = S_{R_4}^{\omega_p} = S_{R_B}^{\omega_p} = S_{R_C}^{\omega_p} = 0$$

$$S_{R_1}^{Q_p} \approx \left(\frac{R_2}{R_1+R_2} \right) Q_p, S_{R_2}^{Q_p} \approx \left(\frac{R_1}{R_1+R_2} \right) Q_p,$$

$$S_{R_3}^{Q_p} = -S_{R_4}^{Q_p} = \left(\frac{R_4}{R_3+R_4} \right) 2Q_p$$

$$S_{R_A}^{Q_p} \approx -Q_p, S_{R_C}^{Q_p} = -S_{R_B}^{Q_p} \approx Q_p$$

$$S_{C_n}^{Q_p} = -S_C^{Q_p} \approx Q_p$$

The Q_p sensitivities to the passive circuit components are proportional to Q_p as is the case with other good high frequency performance networks, refs 4-6, and the circuit in this case belongs to class 1 filters as classified by Faulkner and Grimbleby⁷. The network will perform satisfactorily only when realized in hybrid integrated circuit technology⁸ for which it is intended.

References

1. Moschytz, G. S. High Q-factor insensitive active RC network similar to the Tarmy-Ghausi circuit but using single-ended operational amplifiers, *Electronics Letters*, vol. 8 1972, p.458/9.
2. Aronhime, P. Realization of complex pole all-pass networks, *IEEE Trans. Circuits & Systems*, vol. CAS-22 1975, p.324-8.
3. Budak, A. and Petrela, D.M. Frequency limitations of active filters using operational amplifiers, *IEEE Trans. on Circuit Theory*, vol. CT-19 1972, p.322-8.
4. Geffe, P. R. RC amplifier resonators for active filters, *IEEE Trans. on Circuit Theory*, vol. CT-15 1968, p.415-9.
5. Thomas, L. C. The biquad: Part I - Some practical design considerations, *IEEE Trans. on Circuit Theory*, vol. CT-18 1971, p.350-7.
6. Soliman, A. M. New active RC configuration for realizing non-minimum phase transfer functions, *Circuit Theory and Applications*, vol. 2 1974, p.307-15.
7. Faulkner, E. A. and Grimbleby, J. M. The effect of amplifier gain-bandwidth product on the performance of active filters, *Radio and Electronic Engineer*, vol. 43 1973, p.547-52.
8. Moschytz, G. S. FEN filter design using tantalum and silicon integrated circuits, *Proc. IEEE*, vol. 58 1970, p.550-66. □

Filter type	Design values	T(s)	ω_p	Q_p
All-pass Fig. 4(a)	$\alpha=1$ $K=1, b=aM$ $M \approx 1 - \frac{1}{Q_p}$ $a \approx \omega_p \left(1 + \frac{1}{2Q_p}\right)$ $b \approx \omega_p \left(1 - \frac{1}{2Q_p}\right)$	$\frac{s^2 - sa(1-M) + a^2M}{s^2 + sa(1-M) + a^2M}$	$a\sqrt{M}$	$\frac{\sqrt{M}}{1-M}$
Notch Fig. 4(a)	$\alpha=1$ $K=1, a=b=\omega_p$ $M=1 - \frac{1}{2Q_p}$	$\frac{s^2 + a^2}{s^2 + s2a(1-M) + a^2}$	a	$\frac{1}{2(1-M)}$
High-pass Fig. 4(a)	$\alpha=1$ $K=1/2, a=b=\omega_p$ $M=1 - \frac{1}{2Q_p}$	$\frac{s^2}{s^2 + s2a(1-M) + a^2}$	a	$\frac{1}{2(1-M)}$
Low-pass Fig. 4(b)	$\alpha=1$ $K=1/2, a=b=\omega_p$ $M=1 - \frac{1}{2Q_p}$	$\frac{2Kab}{s^2 + s[a+b-2Ma] + ab}$	\sqrt{ab}	$\frac{\sqrt{ab}}{a+b-2Ma}$
Band-pass Fig. 4(c)	$\alpha=1$ $K = \frac{m}{m+2}$ $m=1$ $K=1/3$ $a=b=\omega_p$ $M=1/3 \left(2 - \frac{1}{Q_p}\right)$	$\frac{mas}{s^2 + s[a+b-aM(m+2)] + ab}$ $\frac{-as}{s^2 + sa(2-3M) + a^2}$	\sqrt{ab} a	$\frac{\sqrt{ab}}{a+b-aM(m+2)}$ $\frac{1}{2-3M}$

Viewdata and teletext — a national sales strategy

Following a conference held earlier this year at which representatives of the industries concerned — broadcasting; retail and rental companies; t.v. and equipment manufacturers and information providers — together with representatives of the Department of Industry, the Department has issued a paper, *UK Teletext and Viewdata: From commitment to action*. This outlines a strategy for "the active, aggressive and immediate promotion of teletext in the consumer market-place, along with Prestel's carefully targetted marketing programme at the business community, which will be the best way to accelerate the arrival of mass-market Viewdata, and consolidate the growth of teletext".

Mr Kenneth Baker, Minister for Information Technology, has written to senior management in each sector of the industry asking for their company's endorsement of the plan and their support in carrying the commitments through to action.

An attack on the North American market has been launched by the foundation of British Videotext and Teletext, the joint venture of Logica Ltd and British Telecom.

● But what of the man on a Clapham omnibus? Does he really want all that writing on his tv screen? Would he use it even if he had a teletext-adapted set? Or would he prefer to sit back and enjoy *Coronation Street*, as usual?

Op-amp tone control

A m.o.s.f.e.t.-input bipolar i.c. design using potentiometers or switch controls with optional treble curves.

by Winthrop S. Pike, RCA Laboratories

To the ear, linear potentiometers used as control elements for standard tone controls have little effect on the overall sound around the middle of their travel and a rather sharp increase toward the ends. This high input/low output impedance tone control, designed around a m.o.s.f.e.t. input bipolar i.c., has a control element option in the form of a rotary switch, the fixed components of which are selected to give an even spread of boost or cut over the full rotation. A variation of this switch control moves the treble turnover frequency depending on the amount of boost or cut.

The 47kΩ input impedance and low output impedance of this tone control make it suitable for connection between most audio amplifier circuits. Figure 1 shows the circuit, based on the RCA CA3140 series 'BiMOS' operational amplifier, in its simplest form. This i.c. has a m.o.s.f.e.t. input stage coupled with bi-polar output circuitry and is available in single or dual form (CA3240) and in different packages.

Understanding of the operation of the circuit of Fig. 1 may be easier if C₃ and C₄ are assumed to be short, and R₃ and R₄ assumed to be open circuits. Under these conditions, a signal at the input terminals, after d.c. blocking by C₁, is applied to the non-inverting input of the op-amp through an 11:1 (20.8dB) attenuator comprising R₁ and R₅. The output of the op-amp is fed back to the inverting input through an identical attenuator, R₂ and R₆.

In this configuration, the gain of the op-amp is $1 + (R_2/R_6)$ or 11 (20.8dB), so the loss from the input attenuator and the gain of the op-amp give an overall gain of unity (0dB). The response of the system so far described will be flat throughout the audio band, the low-frequency roll-off caused by the input RC well below audibility and the high-frequency roll off caused by the op-amp well above.

With R₃ and R₄ now 'reconnected', and the slider of the treble potentiometer, P₁, moved to the extreme left, C₂ in series with R₃ will shunt the non-inverting input of the op-amp. As the reactance of C₂ decreases with increasing frequency, treble roll-off will result. Also, the entire resistance of P₁ will be inserted into the circuit between C₂ and the inverting input of the op-amp. This will increase the negative feedback around the op-amp at high fre-

quencies, reducing the h.f. gain of the system. With the values given, about 15dB of treble cut at 20kHz will be produced.

When the slider of P₁ is moved to the extreme right, no treble roll-off occurs, but the negative feedback around the op-amp is reduced at high frequencies, resulting in about 15dB of treble boost at 20kHz. If the slider is centred, the two effects cancel, giving a flat response.

Variations in the positions of the slider of P₁ have little effect on the response below 1kHz, because below this frequency the impedance of C₂ is high compared with R₅ or R₆. Similarly, with the hypothetical short circuits on C₃ and C₄ removed, frequencies above about 1kHz are not affected by P₂, as these two capacitors are of low reactance at these frequencies.

In the bass region, the reactances of C₃ and C₄ increase as the frequency decreases and become appreciable compared with R₅ and R₆.

When the slider of the bass potentiometer, P₂, is moved to the extreme left, C₃ will be shorted out and cannot affect the signal reaching the non-inverting input of the op-amp. Capacitor C₄ is now only shunted by 50kΩ, the resistance of P₂, so the negative feedback of the op-amp circuit increases at low frequencies. This negative feedback causes 15dB of bass cut at 20Hz.

With the slider of P₂ moved to the extreme right, C₄ is shorted out and can no longer affect the negative feedback. Capacitor C₃ is now shunted by 50kΩ and the gain of the op-amp increases at low fre-

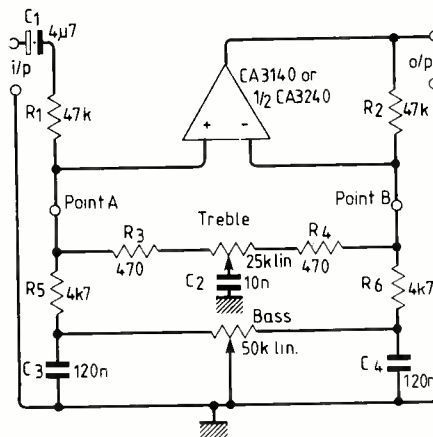


Fig. 1. Circuit diagram of the tone control in its simplest form. R₃ and R₄ may be reduced slightly to compensate for potentiometers which don't give zero resistance at the extremes of their travel.

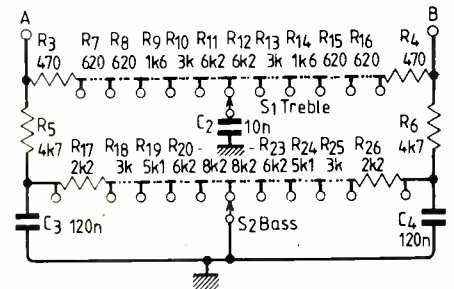
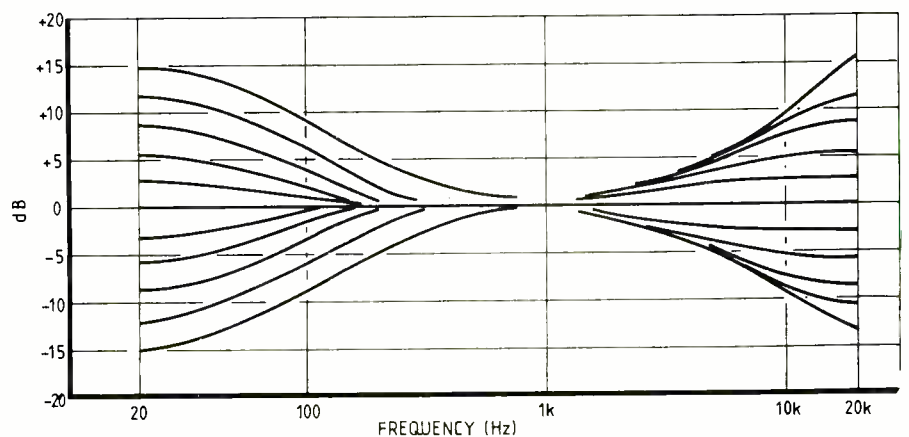


Fig. 2. To obtain more evenly spread boost and cut control, the linear potentiometers of Fig. 1 may be replaced by rotary switches and fixed resistors as shown here. The switches have make-before-break contacts.

Fig. 3. Response curves of the circuit when the switched resistor controls are used, showing the 3dB steps at 20Hz and 20kHz.



quencies, resulting in a gain of about 15dB at 20Hz.

Switch controls

In Figure 1, the linear taper potentiometers shown for the treble and bass controls are a compromise in the interests of economy and availability. Ideally, one needs potentiometers with an 'S' shaped taper, with which the rate of change of resistance with rotation is greater in the centre of the slider travel and less at each end. The 'S' type taper can be simulated using rotary switches with fixed resistors, as shown in Fig. 2, to give five steps of either cut or boost in 3dB increments at 20Hz and 20kHz. Figure 3 shows the response curves for the circuit with the switch control of Fig. 2 substituted.

An alternative circuit with variable treble turnover frequencies is shown in Fig. 4. In this version of the tone control, the bass end of the spectrum is controlled exactly as before, but the treble control is achieved by switching capacitor values. This moves the turnover point of the treble boost or cut along the frequency axis as the treble control is adjusted. Figure 5 shows the resulting response curves.

Two of the bass curves of Fig. 5, at +12dB and -9dB, have been plotted to 1kHz without truncation to show their true shape. These curves cross the 0dB axis and then return to it as do all the bass boost and cut curves between 6 and 12dB - anomalies which are also found in many commercial tone controls. As the magnitude of these inaccuracies does not exceed ± 1.5 dB, their effect is barely audible.

At 1kHz, the maximum level change for any combination of control settings will not exceed about ± 1.5 dB.

Construction

Because of the simplicity of the circuit, this section is limited to a few construction tips.

Resistors R₃-R₂₆ and capacitors C₂-C₁₄ may be mounted directly on the control switches (or potentiometers) so that only two unscreened leads and an earth need be run between op-amp and controls. If the leads to the inverting and non-inverting inputs of the op-amp (points A and B) are twisted together, any hum or noise picked up by the two tends to be cancelled out by the common-mode rejection properties of the op-amp.

Each op-amp supply must be by-passed by a ceramic capacitor of between 47nF and 0.22 μ F, positioned as close to the i.c. pins as possible.

Interfacing

One of the advantages of this tone control is its relatively high input impedance. Figure 6 shows the tone control incorporated in an audio amplifier system immediately following the volume control. The output impedance of the volume control depends, of course, on the position of its slider. In the situation shown, the maximum impedance at the slider of the potentiometer will be when the resistance of the potentiometer on the input side of the

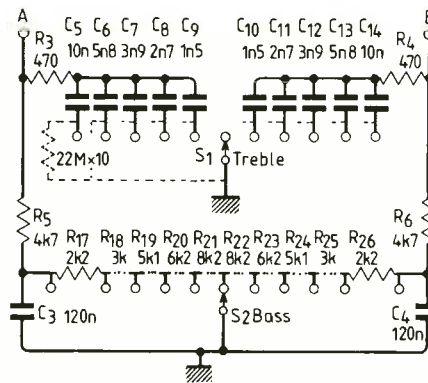


Fig. 4. This variation of the switched resistor tone control moves the treble turnover frequency as the amount of treble boost or cut is varied. The resistors shown in dotted lines are 22M Ω and may be required if static build up over the capacitors causes switching clicks.

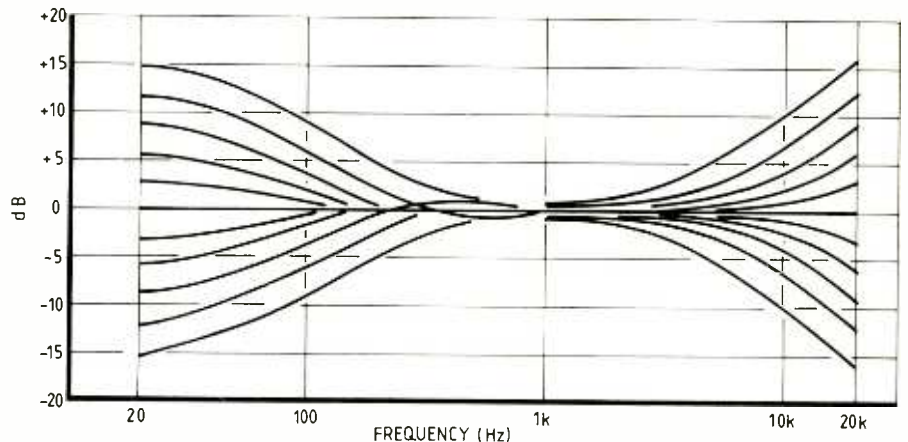


Fig. 5. Response curves of the circuit with the switch control shown in Fig. 4 substituted, showing the variations in treble turnover frequency with different boost and cut levels.

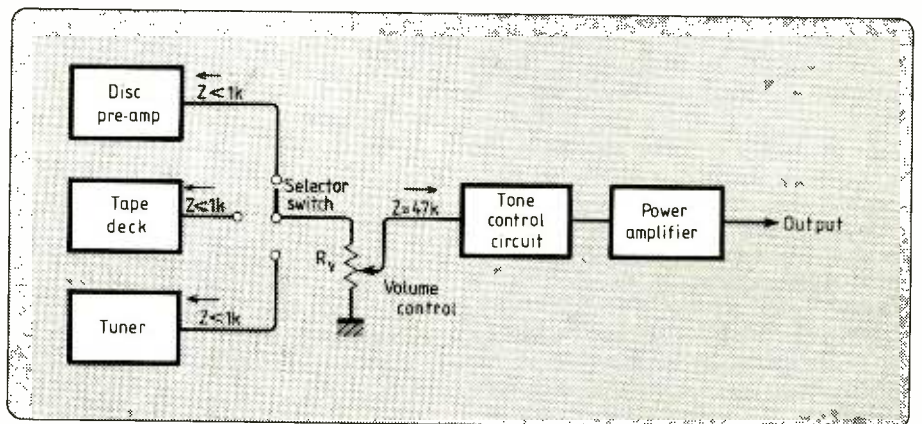


Fig. 6. Block diagram of a typical audio amplifier system with the tone control inserted after the volume potentiometer.

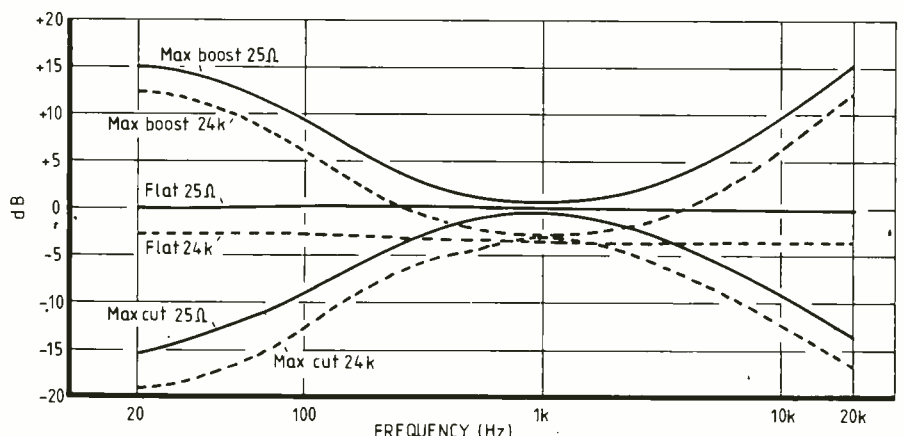


Fig. 7. Effects on the overall performance of the tone control caused by different driving impedances.

slider is equal to the resistance on the grounded side of the slider plus the input impedance of the tone control (added as parallel resistors). Taking 100kΩ as the volume control resistance, the maximum impedance driving the tone control will be about 25kΩ.

Figure 7 shows two sets of curves produced by the tone control using 25Ω (solid lines) and 24kΩ (dotted lines) driving impedances. The only significant difference between the two sets of curves is the 3dB overall loss caused by the 24kΩ driving impedance so a 100kΩ potentiometer may be used before the control without buffering. Note, however, that if such a high-resistance potentiometer is used, its law will be affected slightly by the input impedance of the tone control.

Outside the audio frequency band, boost and cut are limited to about 20dB at all frequencies but if the 3140 is used, further h.f. limiting may be applied, if required, by connecting about 27pF between pins 1 and 8 of the op-amp.

Using a prototype circuit with rather long leads and no shielding, the maximum undistorted output into 2.2kΩ was about 8V r.m.s. and with the input signal removed, residual hum and noise at the output was 0.4mV r.m.s., giving a dynamic range of 86dB. A load of less than 2.2kΩ will reduce the maximum output voltage. □

Wireless Exhibition

On the Air: The story of radio and television is an exhibition to be held at the Livesey Museum, 682 Old Kent Road, London SE15 1JF, open Monday to Saturday from 12th May to 25th July. The exhibition celebrates the history of broadcasting in Britain and considers its future.

Guglielmo Marconi's famous 'black box' which contained the 'wireless' apparatus he brought to England in 1896, will be amongst the historical exhibits. Transmissions from the Marconi stations at Chelmsford and Writtle proved so popular a public broadcasting service was opened in 1922 by the British Broadcasting Company. Photographs and original documents

are used to plot the early years of the BBC which only became a public corporation in 1927.

'Wireless' was a flourishing hobby in the 1920s - many listeners made their own home-made sets from kits. A selection of valve receivers and crystal sets will be on display - amongst the crystal sets will be one in the shape of a book entitled "The Listener"!

The exhibition tells the story of John Logie Baird, a one-time dealer in socks and jam, often called the "Father of Television". In 1925 visitors to Selfridges Store saw images produced by his television apparatus which was made from an assortment of army surplus valves, knitting needles and cardboard! "The Telesvisor", an early television receiver designed by Baird will be on display.

Radio had its finest hour during the Second World War but the young television service was closed down. Television re-opened after the war and 1955 saw the birth of commercial television - which Churchill dismissed as "that tuppenny Punch and Judy show". Colour broadcasts officially began on the new BBC 2 channel in 1967 and a demonstration will explain colour television in simple terms.

Broadcasting has always sought to educate and entertain so this exhibition will also focus on some of the most interesting aspects of present-day broadcasting. There will be sections dealing with local radio, news broadcasting and audience research. Exhibits from the very popular television series *Hitch-hikers' Guide to the Galaxy* will be displayed in the section about the studio.

The exhibition concludes with a section on cable television, broadcasting direct from satellites to viewers' homes and the latest in video equipment. The new Philips video-disc player will be on display, alongside displays of Ceefax, Oracle and Prestel, television games, an autocue system and a selection of video tapes covering subjects like local radio, recording television programmes and special 'electronic' effects used in television.

Many special events will accompany the exhibition. Capital Radio's "Capital Cruiser" will be at the museum on the 28th May during the afternoon. "Three in a Row" the BBC Radio 2 quiz game is being recorded on 19th May at the North Peckham Civic Centre (adjacent to the museum). "The Radio Enthusiast" a demonstration/talk will be given by Ralph Barrett on 16th May at 2.30pm.

Literature received

Catalogue from Cambion contains information on a very wide range of **small components**, such as sockets, wire-wrap equipment, circuit cards, patch cords, jacks. It can be obtained free from Cambion Electronic Products Ltd, Castleton, nr Sheffield S30 2WR. WW 420

Two brochures from Hybritek describe the company's capability in the **processing and assembly of dies**, including t.t.l., c.m.o.s. and e.c.l. in a variety of packages. The brochures are available from Hybritek Ltd, 125 Long Lane, Chadderton, Lancs. OL9 8AY. WW 421

A range of our 200 **power supplies** from Datal Intersil is fully described in a new catalogue, which can be obtained from DI, 9th Floor, Snamprogetti House, Basingstoke, Hants. WW 422

Passive r.f. components, made by Weinschel Engineering, are imported by Marconi Instruments, who can supply a short catalogue. M.I. are at Longacres, St Albans, Herts. AL4 0JN. WW 423

An eight-page data sheet from Pascall provides preliminary details of the new Micro Networks MN5282 16-bit **a-to-d converter**, which is a low cost, thin-film circuit in a 32-pin d.i.p. Application information is included. The publication can be obtained from Pascall Electronics Ltd, Hawke House, Green Street, Sunbury-on-Thames, Middlesex, TW16 6RA. WW 424

Analogue-to-digital converters, d-to-a converters, sample/hold amplifiers, op-amps and data acquisition products are all described in a short catalogue from Zeltex, who are represented in the UK by MCP Electronics Ltd, 38 Rosemont Road, Alperston, Middlesex HA0 4PE. WW 425

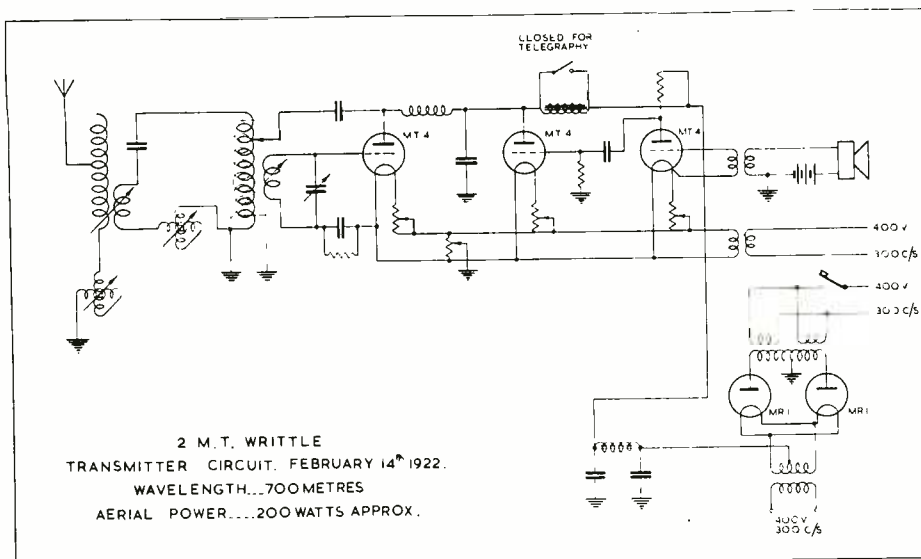
Three brochures from Ocean Applied Research describe five v.h.f. automatic **direction finders**, operating in the range 25-50MHz, 27MHz or 83-110MHz. The instruments are Model ADFS-922/932/940/928/938. Brochures are obtainable from OAR at 10477 Roselle Street, San Diego, California, 92121, USA. WW 426

A large range of thumbwheel, leverwheel and pushwheel **switches** by Cherry is described in a new catalogue, which is obtainable from Cherry Electrical Products Ltd, Coldharbour Lane, Harpenden, Herts. AL5 4UN. WW 427

The range of opto-electronic components from International General Electric, includes couplers, emitters and detectors of many different types, and is described in a short catalogue from Norbain Electro-Optics Ltd, Norbain House, Arkwright Road, Reading, Berkshire RG2 0LT. WW 428

Electronic combination lock - correction

The caption of Fig. 1 on p.42 of the January issue may have given the impression that if the digits 3, 6, 9, 7 were typed in on the keyboard, the lock would operate with the given switch settings. Due to the action of the shift registers, the digits need to be typed in the reverse order. From a practical point of view, digit 1 on the drawing should be called digit 4, digit 2 becomes digit 3, etc.



Marconi Company Ltd

An appreciation of James Clerk Maxwell, 1831-1879, part 2

Have we got the allocation of honours between Einstein and Maxwell right?

by M. G. Wellard

"The object of these experiments was to test the fundamental hypothesis of the Faraday-Maxwell theory, and the result of the experiments is to confirm the fundamental hypothesis of the theory" wrote Hertz in his book *Electric Waves*. The fundamental hypothesis of the Faraday-Maxwell theory was that space was not empty. This article continues an attempt to explain why we should turn the cuckoo clocks back to Maxwell and start again.

When Maxwell decided to study the science of electricity, he resolved "to read no mathematics on the subject till I had first read through Faraday's experimental researches on electricity," and a little later in the preface to his treatise he recommended the student "after he has first learned, experimentally if possible, what are the phenomena to be observed, to read carefully Faraday's experimental researches in electricity. He will there find a strictly contemporary account of some of the greatest electrical discoveries and investigations, carried out in an order and succession which could hardly have been improved if the results had been known from the first, and expressed in the language of a man who devoted much of his attention to the methods of accurately describing scientific operations and their results." Maxwell was very careful in his choice of words. He was hinting that Faraday did, more often than not, know the results of his experiments in advance; that Faraday's great electrical discoveries were experimental proof of Faraday's theories. Maxwell's insistence on accurate description of factual experiments is obvious.

Maxwell's laws are the result of his mathematical treatment of Faraday's theory that everything in the universe, including space, were different forms of one mysterious force, a manifestation of his God and a true field of force, although Maxwell filled only space, including the space permeating molecular structures, with a medium or ether having quite specific and mathematically measurable actions and reactions by "bodies" which obeyed Newton's laws of motion. Maxwell found some ideas of Faraday impossible to develop mathematically and designed himself a working model of his ether with the sole objective of using the model as an aid in developing his electromagnetic theory of light. The model's greatest success was his development of the idea of displacement current, the forces of electricity being

displaced in shape as they were squeezed against the "bodily" resistance of a non-conductor of electricity. Light travels through space, a non-conductor, and his displacement current was vital to his theory that light was electricity in the form of a wave, squeezing its way through the non-conductor in space. He realised that conductors of electricity were the exception, rather than the rule, fully appreciating Faraday's analysis of conductors and non-conductors that the only continuous path through any material is via the space surrounding the material's atoms, and therefore atoms were centres of power, with the power to decide whether the space surrounding them should be a conductor or just like the rest of space outside.

Maxwell's design for space was filled with two types of ball bearings, Newton's bodies, one for electricity, and the other for magnetism. When a force acted on the electric bodies, they acted on the magnetic bodies. In all actions there were always two bodies in physical contact with each other acting equally and in opposition. The action of the electric bodies always induced a rotary action in the magnetic bodies. Magnetism was caused by a rotary action of his medium and was Maxwell's method of explaining Ampere's theory that the magnetism in magnets was caused by electric currents encircling the magnet's molecules. When the majority of the magnet's tiny electric currents were in parallel, they acted like coils of wire wound around a former. Each magnet was really an electromagnet with its coils connected in parallel rather than in series. Only when the bodies moved was electricity detectable.

The initial action on the electric bodies threw the medium into a state of stress, the stresses appearing as electric and magnetic phenomena. The stresses in his medium were analogous to the stresses produced in other media such as solids and liquids. His working model was designed specifically to help him identify the correct mathematical analogies between the forces involved in electromagnetic phenomena and forces involved in the stresses of material structures. Although the two bodies of his medium were a form of particle, the particle nature of his medium was unimportant. What was important was the changing stress in the medium which he could follow anywhere in space. His energy did not disappear at one point in space to magically reappear somewhere else, the theme of modern electromagnetic theory. Max-

well's energy was always conserved. Maxwell's medium or ether was capable of providing a force of opposite reaction. It was a form of energy capable of performing work in resisting a disturbance of its state of rest or inertness. Its inertia, its resistance to change, is known as its impedance. The disturbance of its state of rest caused by the action of a wave of light, is resisted by the medium, and the magnitude of this resistance is known as the impedance of free space, about 377 ohms. Maxwell headed page 459, volume two, of his treatise, *Energy of the medium*, and he meant us to take him literally.

Faraday had proved that magnetism interacted with polarized light and therefore light was most probably an electromagnetic phenomenon. Included in Maxwell's thousand-page treatise is a twenty-page chapter detailing his mathematical proof that light is an electromagnetic wave phenomenon passing through his medium. He was so far ahead of experimental physics that more than twenty years were to elapse before Hertz confirmed Maxwell's maths. Maxwell then became a posthumous hero for a few years, but unfortunately the majority of physicists concentrated their speculations on the twenty-page chapter of Maxwell's treatise and ignored the rest. His medium was studied chiefly as an ether, a carrier of light waves that Michelson and Morley said acted very strangely.

Since Newton first published his formula forecasting the attractive forces of gravity capable of acting across the space separating the centres of two pieces of matter, physics has been dominated, apart from a few years immediately following Hertz's experiment with Maxwell's waves, by action-at-a-distance theories. Maxwell devoted the last chapter of his treatise to a mathematical and almost physical attack on them. These theories say that forces can act across a distance in space without two "bodies" necessarily being in physical contact with each other. There is an exchange of the attractive force of gravity between the apple and the earth unaided by the action of any bodies in the space separating them. Time plays no part in the exchange of force, the mutual sensing of force taking place instantaneously. Faraday and Maxwell believed that forces were transmitted across space isolating two bodies from each other by the shunting action of a string of other bodies joining the centres of force, and that the shunting action was only possible if all bodies were in physical contact with each other. Forces

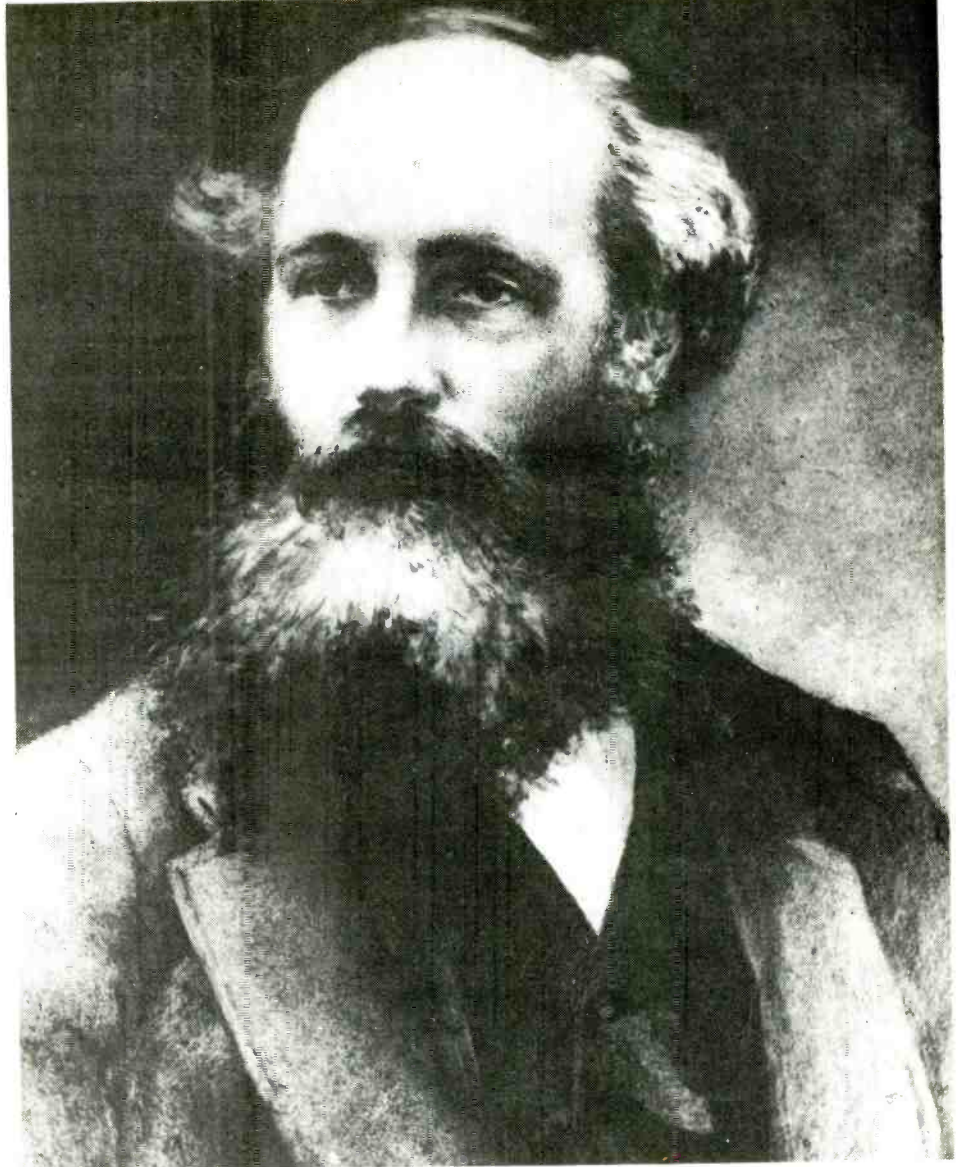
could not be exchanged across empty space without the aid of bodies in physical contact with each other along the line of least action. Because each body along the line took a finite time to act and react, the exchange of forces always took time. In Faraday's day there was no known method of measuring the time taken to charge a capacitor, but when Hertz proved that light was an electromagnetic wave that took time to cover a distance in space, all action-at-a-distance theories in which time was not the essence were completely discredited.

During the period that Maxwell was busy writing and re-writing his treatise, all action at a distance theories involved carriers of forces. The force of gravity is carried in the centre of every piece of matter and there it stays, but the forces of electricity and magnetism move about. These moving forces were carried either by fluids, hence electric currents and an ether, or by particles. Particles were best because they slotted neatly into the infinitesimal calculus and were defined Newton bodies. Fluids became too involved mathematically and acquired remarkable properties. In the final chapter of his treatise, headed *Theories of Action at a Distance*, Maxwell gave a critical analysis of rival theories, first those involving electricity carried by particles, and then those involving the propagation of light by different particles. The last words of his treatise are an appeal to the common sense of those who rejected his logic, a logic he was never to see proved. The final sentence is, in more ways than one, the saddest sentence in science.

"In fact, whenever energy is transmitted from one body to another in time, there must be a medium or substance in which the energy exists after it leaves one body and before it reaches the other, for energy, as Torricelli remarked, 'is a quintessence of so subtle a nature that it cannot be contained in any vessel except the inmost substance of material things.' Hence all these theories lead to the conception of a medium in which the propagation takes place, and if we admit this medium as an hypothesis, I think it ought to occupy a prominent place in our investigations, and that we ought to endeavour to construct a mental representation of all the details of its action, and this has been my constant aim in this treatise."

Maxwell might have been a successful psychiatrist. Just before his final words extracted above he wrote:

"There appears to be, in the minds of these eminent men, some prejudice, or a priori objection, against the hypothesis of a medium in which the phenomena of radiation of light and heat and the electric actions at a distance take place. It is true that at one time those who speculated as to the causes of physical phenomena were in the habit of accounting for each kind of action at a distance by means of a special aetherial fluid, whose function and property it was to produce these actions. They filled all space three or four times over with ethers of different kinds, the properties of which were invented merely to save ap-



pearances, so that more rational enquirers were willing rather to accept not only Newton's definite law of attraction at a distance, but even the dogma of Coates that action at a distance is one of the primary properties of matter, and that no explanation can be more intelligible than this fact. Hence the undulatory theory of light has met with much opposition, directed not against its failure to explain the phenomena, but against its assumption of the existence of a medium in which light is propagated."

Following Hertz's experiment, attempts to construct a mental representation of the ether's action were short-lived. Lorenz soon discovered a simple way of re-introducing an action at a distance theory. Maxwell's ether would carry particles that carried electricity. Maxwell had said that electrical phenomena were symptoms of stresses of his medium, and magnetism the result of a rotary action of the same medium. His ether was capable of some form of motion. Lorenz's particles were extremely sensitive to actions of the ether, so much so he decided that it was in the best interest of everybody if he introduced a law forbidding the ether to move. "Since we have assumed that the ether doesn't move, why should we ever speak of a force acting upon the medium . . . Indeed this

conception (his theory) rejects the equality of action and reaction . . ." Lorenz had found a loophole in Newton's third law of motion. His initial theory had two particles that carried electricity, one positive and the other equally and oppositely negative. The negative particle is now called an electron. He never did find the other one.

In Rutherford's model of the atom (a planet) the negatively charged particle (the electron) orbits a sun, the positively charged particle (the proton). The charges are equal and opposite and therefore the inert atom is electrically neutral. Physicists using the mathematics of Newton's laws of motion discovered that although the proton was electrically opposite to the electron, it was about 1,800 times unequal. Every atom in the universe was carrying an excess of positive electricity. Many years after Lorenz re-introduced his action at a distance particles, his carrier of positive electricity was discovered, the positron. This particle is very scarce, which is just as well, because all atoms in the universe are still generating 1,800 times their mass number of excess positive electricity. It only requires someone to discover that the proton is not encircled by an electron, but by the proton's anti-particle the anti-proton, for electricity to get back to normal.

Rutherford's theory of the atom does not satisfy the principle of the conservation of energy. Without the aid of the mathematics of the quantum theory, an afterthought, it is generating an unbalanced amount of positive electricity. The quantum theory says that there are three fundamental particles, each with its own anti-particle. One particle carries negative electricity, another positive electricity, and the third is electrically neutral. The anti-particles of the first two carry an electric charge that is equal and opposite to the charge carried by its particle. These particles are the normal constituents of atoms and are capable of emitting or disintegrating into other particles and their associated anti-particles. The total number of particles and anti-particles now exceeds 200, a great improvement on Lorenz's original theory which only had two particles and no anti-particles. Their actions are now governed by 14 conservation laws, some with a corresponding anti-law.

When Lorenz's particle carrier of negative electricity, the electron, enters a slit cut in a sheet of metal, it emerges as a wave. This odd behaviour of electricity has led to the concept of duality; electricity can choose between acting as a particle or a wave — the reason why 14 laws are required to control its actions. Oracles can always be used to dismiss all reactions to actions, and the electron is no exception. It can throw a stone into a dried-up pond and generate a water wave. Like Maxwell's equations, it can now wave through a space devoid of anything to wave. One major particle, Einstein's photon, does not have an associated anti-particle until it spins, when it then transforms into a particle and an anti-particle each with a half-spin. This transformation is necessary because no particle or anti-particle can perform a complete revolution. The photon represents the electromagnetic energy of one complete cycle of a Maxwell wave measured by Planck's constant. The second half cycle of a wave is the equal and opposite action to the reaction of the first half cycle to the action of a medium, this total action allowing both the medium and the wave to conserve their energy. The word radioactive indicates that an atom is emitting Maxwell waves which have two half cycle, equal and opposite actions. The anti-particle is the equal and opposite reaction to the action of its particle. If Planck's quantum thesis is a mistake, presumably the terms particle and anti-particle refer to the first and second half cycles of an electromagnetic wave, and an electron travelling through space is the negative half cycle of such a wave. The usual method of producing electrons is by heating a slightly radioactive piece of metal, and the frequency of the electron lies in the spectrum of heat. The uncertainty principle allowed an intercepted electron to have an amount of energy that lay along a line which followed the varying energy of one half cycle of a Maxwell wave. If a Maxwell wave oscillating at many million times per second is casually intercepted by a conductor of electricity, it is impossible to guarantee with certainty the exact energy level

of the wave at its point of interception.

In a medium of constant energy level, a wave will expand spherically through the medium, both medium and wave conserving their energy. If one cycle of a Maxwell wave has an amount of energy equal to Planck's constant at its point of origin, it will have to spread that energy evenly over an ever increasing spherical wavefront. The area of a sphere varies with the square of its radius, the law of inverse squares. The wave expands spherically because the reaction of the medium to the action of the wave is perfectly balanced, and one part of the wave's front does not travel faster than another part. The law of inverse squares is symptomatic of an equal and opposite reaction aimed at the origin of a radius. The amount of energy in the light from a star that reaches the earth is only a minute fraction of the light's total energy at source, the rest of the energy is spread over the surface of a sphere whose radius is the distance between the star and the earth. With a particle, the law of inverse squares does not apply. The electrical energy of a particle at its point of destruction equals the particle's energy at its point of origin. The only way to make a particle's energy follow the energy pattern of a wave is to multiply the particle's energy by a wave equation. The mathematics of the quantum theory, wave mechanics, are a collection of equations developed by many eminent men, in no way responsible for the initial decision to ignore Maxwell, to make three equations developed from the theoretical interpretation of three single experiments satisfy the principle of the conservation of energy.

Rutherford's negative electron and positive proton theory of the atom only agreed with the atomic weight of hydrogen, the lightest atom. The weight of all other atoms was balanced by the discovery of the third fundamental electrically neutral particle, the neutron. A bomb has been named in honor of this non-existent particle. With a little bit of luck this bomb may be filled with nothing more dangerous than a few mathematical equations, the product of the only known form of organic atomic energy with intelligence.

★ ★ ★

In the chapter of his treatise headed On the Induction of a Current on Itself, Maxwell noted that the analogy between the flow of a liquid through a tube and the flow of a current of electricity along a wire was not perfect. The flow of liquid did not depend on how the tube was bent, or on the presence of anything outside the tube. The way in which a wire was bent affected the induction current, as did the presence of a piece of soft iron.

"We are therefore led to enquire whether there may not be some motion going on in the space outside the wire, which is not occupied by the electric current, but in which the electromagnetic effects of the current are manifested."

The original idea of the ether was based on the analogy between light and sound, and there are many analogies between the actions of sound and light waves, and the

reactions of their media; wavelength, frequency, velocity, reflection, refraction, focusing, interference, polarization, resonance, and a close analogy between a cavity resonator and a Helmholtz resonator. There is also a close analogy between the action of a magnetic needle encircling the electricity in a cylindrical conducting wire, and a weather vane following the rotational action of a movement of air encircling cylindrical centres of high and low atmospheric pressure, especially if the current in the wire is considered to create a volume of high or low electrical pressure in the surrounding ether. Winds encircle centres of atmospheric high and low pressure to relieve a state of stress, the line of least action being a rotation because a line aimed at or from a pressure centre would not relieve the stress on the surrounding air; nothing would happen. This analogy will explain the action of magnetism as a rotary action of the normally inert ether around centres of high and low electrical pressure.

Maxwell said in his treatise his medium could become "a receptacle of two forms of energy," half potential or electric, and half kinetic or magnetic. He also proved that the potential or electric energy in his ether was equal to its kinetic or magnetic energy. In Ferraro's Electromagnetic Theory, the author goes one step further. In para. 243 headed Magnetic Energy of Electric Current, he says:

"By Ampere's theory of magnetism it follows that a system of electric currents has magnetostatic energy of amount . . . the integral extending over all space; we term this the magnetic energy of the system of currents. We shall now prove that this is equal and opposite to the potential energy of the currents."

Two "bodies" acting equally and in opposition and only one of them can be Maxwell's ether. The density of the mass of the ether was confined in Maxwell's working model to the rotating magnetic bodies, and clearly magnetism is the equal and opposite reaction of a form of energy, Maxwell's ether, to the action of the other bodies, another form of energy, electricity. Maxwell's space was "a receptacle of two forms of energy".

His equations are an elegant and infallible aid to those forecasting the weather in his ether. Unfortunately, in the 1890's, his equations were over-simplified by the removal from sight and mind of his vector-potential, his aid to the forecasting of the direction and strength of the ether wind. An atom is merely a stage in the evolution of electrical energy. A body, Newton's word for a mass described in units of his space and time, is as Newton said² when referring to gravity, "material or immaterial", a fact proved by Maxwell who based his equations on the application of accelerations to unidentified masses to forecast the magnitude and direction of the forces of electricity and magnetism.

If weather maps had been published in Maxwell's day, no doubt he would have spotted the analogy. The only maps he had were Faraday's lines of force, samples of which Maxwell reproduced at the end of

both volumes of his treatise. He was the last of the great natural philosophers, unconcerned with the art of thinking about thinking. He was not, as is commonly supposed, an outstanding visionary and dreamer. He had both feet planted very firmly on the ground, prepared to stretch his theoretical and mathematical logic to their limits, but ever mindful of the folly of developing original ideas. He wrote his own epitaph in the preface to his treatise.

"I shall avoid, as much as I can, those questions which, though they have elicited the skill of mathematicians, have not enlarged our knowledge of science". Science has not satisfied the principle of the conservation of energy during the hundred years since Maxwell's death. It has wasted Maxwell's energy and its own. Faraday and Maxwell had developed unified pictures of the universe, and if a phenomenon of force didn't fit their picture, they were willing to wait until it did. They were completely incorruptible in their search for the unemotional modesty of the truth.

Maxwell said that Faraday's method was to begin with the whole and arrive at the parts by analysis. Having studied the whole pieced together by the democracy of astronomy, and analysed the parts of this insignificant planet that are busy proving that Darwin's theory of our evolution is an insult to monkeys, I take this opportunity of not thanking, in advance, certain physicists for their indispensable assistance in the final proof of Thom's catastrophe theory³. That is an illuminating, uplifting and heartwarming experiment by theorists wasting and concentrating what is a finite amount of energy in themselves and in the business end of action at a distance theories, and suggest they follow the example of Lorenz and pass a law forbidding themselves to move until they have explained exactly how and why the atoms of organic energy with intelligence are immune from the law of the conservation of energy and all that its principle implies. If organic atomic energy, with or without intelligence has a choice, its own uncertainty principle, and can avoid taking the line of least action or waste, its actions must be governed by the law of the survival of the most efficient. This law governs the behaviour of the fourth force capable of acting across a distance in space, and like the laws of Newton and Maxwell, gives silly answers to silly questions.

Einstein may have wasted an incalculable amount of energy, but he left science a legacy; experimental proof that the more an idea deviates from the 100% efficiency of the truth, the more a bureaucracy defends the idea by repression, censorship, dogma and the cult of the personality, to waste and concentrate in itself an ever increasing amount of energy attempting to prove the unprovable. Extreme ideas are propagated by portable laboratories whose only property is the mincing of words, the bigger the better, the more the merrier, especially when the words like TIME and SPACE are spelt in capital letters. They can be temporarily diverted from their avowed objective of saving us from being fools, by forcing them to save themselves

by never answering an awkward question. Just as a machine that develops a loss of efficiency concentrates the wasted energy in the point of inefficiency, so did Einstein's friends condemn their successors to waste and concentrate their energy in the point of most inefficiency, a collection of atoms called Einstein. This phenomenon, known as the cult of the personality, is the reason for the strange allocation of honours between Einstein and Maxwell.

Much of this article is based on the mathematical proof that a sound wave was really a particle called a phonon, the forerunner of four-dimensional sound and the Bunkum Theory, on the books of three authors toasting "Faraday, the hero", - Maxwell's treatise, Pearce Williams' biography of Michael Faraday, and Berkson's Fields of Force - on the works of M. Thom, the Newton of the evolution of all forms of energy, and on the anti-Einstein comments, written with unemotional modesty by L. Essen, who suffered the slings and arrows of an outraged bureaucracy for daring to think for himself and the rest of us that we have a problem. □

References

1. Berkson's Fields of Force. Routledge & Kegan Paul, 1974, page 283.
2. *Ibid.* page 114. Extract from Newton's letter to Bentley.
3. René Thom, Structural Stability and Morphogenesis: an Outline of a General Theory of Models. W. A. Benjamin, 1975. The subject of the 1978 Faraday Christmas lecture for children broadcast by BBC TV from the Royal Institution.

Wireless World index and binding

The index for Volume 86 (1980) of **Wireless World** is now available, price 75p including postage, from the General Sales Department, IPC Electrical-Electronic Press Ltd, Quadrant House, The Quadrant, Sutton, Surrey SM2 5AS.

Our publishers also offer a service of binding volumes of **Wireless World**, each complete with the appropriate index. If you wish to use this service send your copies to Press Binders Ltd, 4-4a Iliffe Yard, Crampton Street, Walworth, London, SE17 with your name and address enclosed. Confirm your order to the General Sales Department (address in first paragraph) and with this letter to Quadrant House send a remittance of £6.90 for each volume (this price includes the index).

In both cases cheques should be made payable to IPC Business Press Ltd.

Paul Voigt dies at 79

An audio pioneer

Paul Gustavus Adolphus Helmuth Voigt, the famous audio pioneer, died at his home in Ontario, Canada, early in February following a heart attack. Born in December 1901 in London, he was of German ancestry but his father had become a naturalised British subject late in the 19th century.

A contemporary of Alan Dower Blumlein, he was granted a total of 32 British patents between 1923 and 1953, the first being concerned with wireless transmission. In the early part of this period he designed the Edison Bell dual silicon crystal detector. (Once a good spot was found on one crystal this could be kept in reserve while trying to find a better spot on the other.) Although he developed very advanced moving coil disc cutters and pickups during the mid 1920s, Voigt will be remembered most for his work on loudspeakers, notably for his development of the moving coil loudspeaker and his domestic corner horn. The m.c. loudspeaker was in advance of its time in underlining the importance of maximum gap flux density - primarily for "damping" and only incidentally for efficiency. Other m.c. innovations were the dual diaphragm and the aluminium-wire voice coil.

The domestic corner horn loudspeaker stemmed from the earlier designs of high flux drive units and large tractrix horns he had built for cinema sound. The large corner horn enclosure incorporated a vertical tractrix horn and reflectors, covering the range above about 100Hz, combined with rear radiation of the lower frequencies using a broad bandwidth ¼-wavelength tapered pipe. This l.s. system gave a very high electro-acoustic efficiency, wide angular distribution and freedom from colouration, together with natural image characteristics consistent with monophonic reproduction. Even today a pair of these loudspeakers can offer stereo sound comparable with that from the first current low efficiency designs.

The corner horn was one of the products of his own company, Voigt Patents Ltd, which he started in 1933 after the economic slump had finished off Edison Bell. During this time he was a protagonist in the move away from massive pickup elements and produced a notable moving coil unit with minimal moment of inertia. *Wireless World* owes a lot to him for his help and advice on microphones when, in the mid 1930s, the staff were developing an automatic response curve tracer.

Paul suffered from periods of ill health and in 1950, with his wife Ida, he emigrated to Canada. Since then, although keeping abreast of audio developments, his spare time was largely devoted to studying radically new concepts of electromagnetic propagation and the nature of gravitational attraction and to proposing a unified field theory.

Voigt's outstanding contribution has already been well documented, and a complete report on the man and his work is given in: *British Kinematography, Sound and Television*, vol. 52, no. 10, October 1970, p. 316, under the title "Paul Voigt's contributions to Audio".

(Compiled from information kindly supplied by Rex Baldock and F. L. Devereux)

NEW PRODUCTS

Waveguide transitions

Double-ridged, wideband waveguide transitions, formerly only obtainable from American sources, are now made in the U.K. by Micro Metalsmiths. They are primarily intended for military use, covering WRD 475 (4.75 - 11GHz) and WRD 750 (7.5 - 18GHz) and being fitted with SMA or TNC connectors, or Type N to special order. Their voltage standing wave ratio is better than 1.2, and the insertion loss is less than 0.25 dB over the entire band. While the bodies are normally made in aluminium, copper-based alloy types can be specified. Micro Metalsmiths Ltd, Kirkbymoorside TO6 6DW, N. Yorks.

WW301

Function generator

Switch-selectable sine, square and triangle wave outputs in the range 1Hz to 100kHz are available from a 600 Ω output on the latest addition to the Thandar range of measuring instruments, the TG100 function generator. A separate output is pro-

vided to drive up to 20 standard t.t.l. loads and a 39k Ω impedance sweep input can give a sweep rates of up to 1000:1. Controls of the generator are: a 0dB or -40dB output level switch with variable-potentiometer output-level control, d.c. offset switch - also with variable potentiometer control, five-decade range selector switch with fine frequency control, and function selector switches. Sinewave distortion is typically 1%, triangle waveform non-linearity 0.1% and the rise and fall times of the square-wave are 150ns into 600 Ω /20pF. Sinclair Electronics Ltd, London Road, St Ives, Huntingdon, Cambs PE17 4HJ.

WW302

Optical isolator for measurement

Measurements down to 20mV can be made in the presence of 1.5kV d.c. common-mode voltages on a safely grounded test instrument, using the A6902 optically coupled voltage isolator from Tektronix. The bandwidth of this dual channel device is zero to 15MHz and cali-

brated attenuators, with sensitivities from 20mV to 200V/div, are provided on each channel. At 60Hz, the isolation specification is 200,000:1, or -160dB. Standard accessories of the A6902 are two pairs of voltage probes, one set for high voltages and the other for lower voltages. There is also available an A6901 ground isolation monitor that allows one to make floating measurements to safety extra low voltage (40V) more safely. The photo shows the A6902. Tektronix (UK) Ltd, Beaverton House, P.O. Box 69, Harpenden, Herts.

WW303

Data display monitors

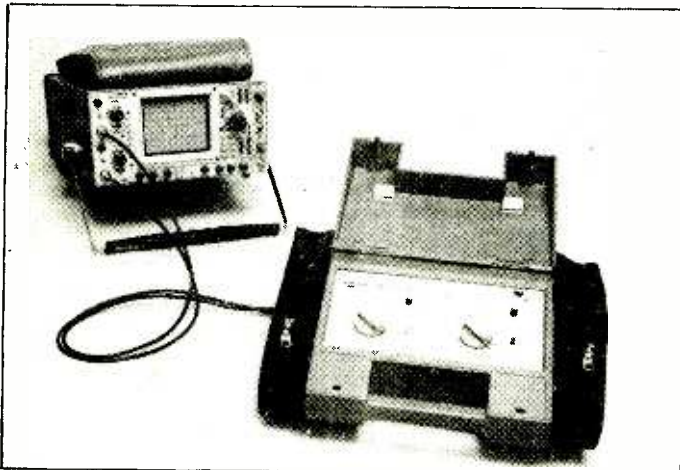
High-resolution, colour data-display monitors, designed for use in v.d.u. terminals and other data-processing equipment, have been introduced to the market by Cotron Ltd. The DDC series consists of three basic models with tube sizes of 9, 12 or 14in, all available either cased or in chassis form. For the 9in version, resolution is 414 \times 552 pixels and for the 12in version, 603

\times 804 pixels, to enable reading of 64 and 80 characters per line respectively. A standard-resolution tube is used in the relatively low-cost 14in model for display of up to 48 characters per line. All models accept direct red, green and blue inputs at 1V peak saturation level and a negative synchronization pulse of 0.5 to 4V peak. Open frame units also accept line and field drive pulses at t.t.l. levels. Space is provided inside the cased version for further electronic circuits, such as the logic of a v.d.u. terminal, which can be driven by the monitor's power supply. Cotron say that the cost of these units is significantly below that normally associated with comparable units. Cotron Ltd, Rockland Works, Eagle St, Coventry CV1 4GJ.

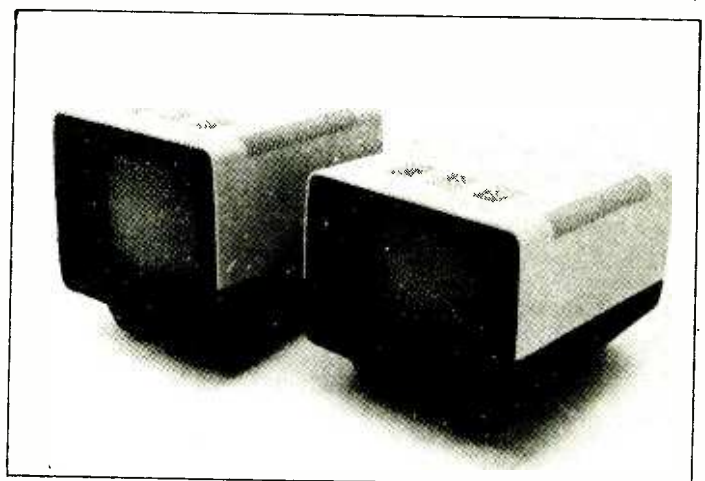
WW304

Ultrasonic echo ranging system

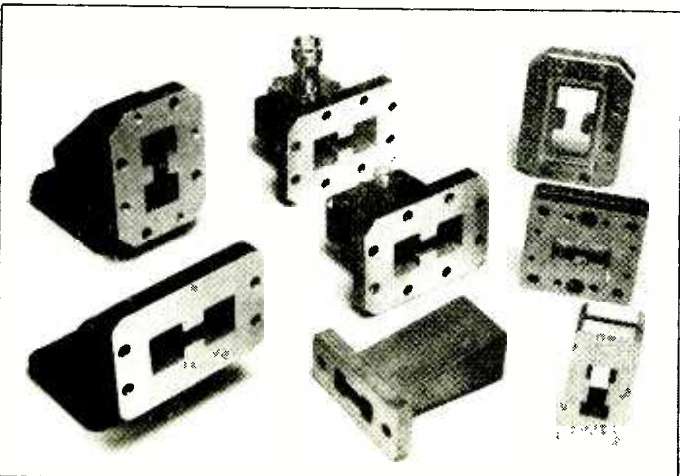
A designer's kit, based on the ultrasonic focusing system by the Polaroid Corp, is available through Polaroid (UK) Ltd. This kit comprises two ultrasonic transducers,



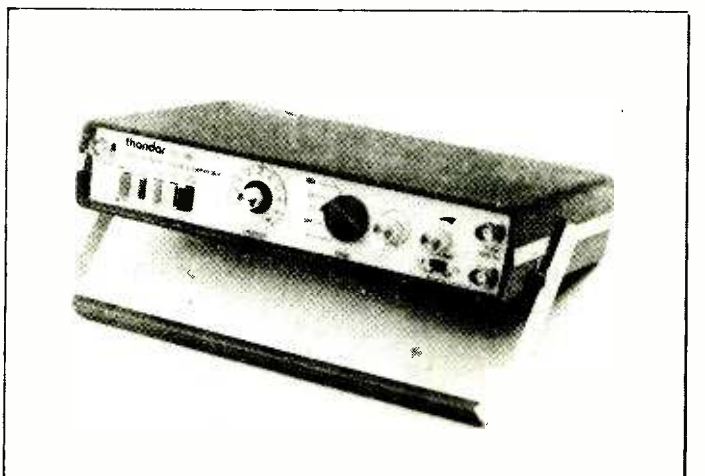
WW303



WW304



WW301



WW302

digital and analogue circuitry, wiring assemblies, an l.e.d. readout, two batteries and a technical manual. Although a digital readout is provided, this system can be interfaced with many other systems including computers. The measurement process takes 1.5ms for a distance of 25cm, increasing to 55ms for a distance of 9m, and is said to have an error of less than 1%. Among the applications suggested for the kit are low level altimeters for aircraft, warning systems for fork-lift trucks placing loads in visually inaccessible areas, giving distance measurements for calculating radiation levels for X-ray and tomography apparatus, and as an aid to the blind in a number of forms. One of the most interesting applications is for automatic focusing of liquid lenses in reading glasses for persons who have had their eye lenses removed. Polaroid (UK) Ltd, Ashley Rd, St Albans, Herts AL1 5PR.

WW305

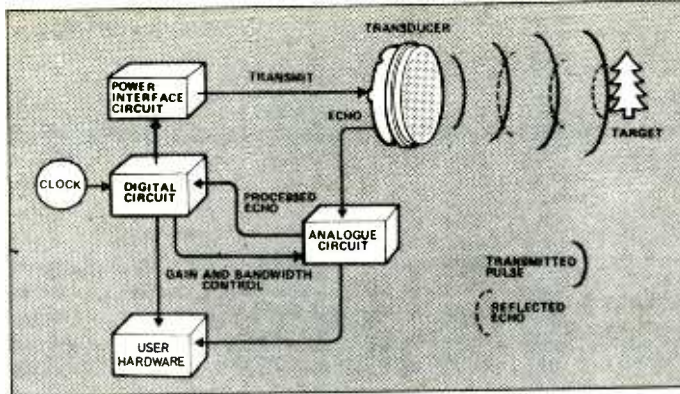
Data cassette deck

Fast forward, fast rewind, record and replay functions of the C1000 cassette deck from Monolith Electronics can be selected electrically. With interfacing circuitry, the deck can be completely controlled by a computer to store, recall and search for data. An optional Hall-effect sensor can be fitted to perform two functions, detection of tape breakage and tape spool rotation counter. An optical device is also available for use with high-speed tapes with coded windows. The deck is aimed at the home computer market and costs £42.49 (including v.a.t.) in chassis form. Monolith Electronics Co. Ltd, 5/7 Church St, Crewkerne, Somerset.

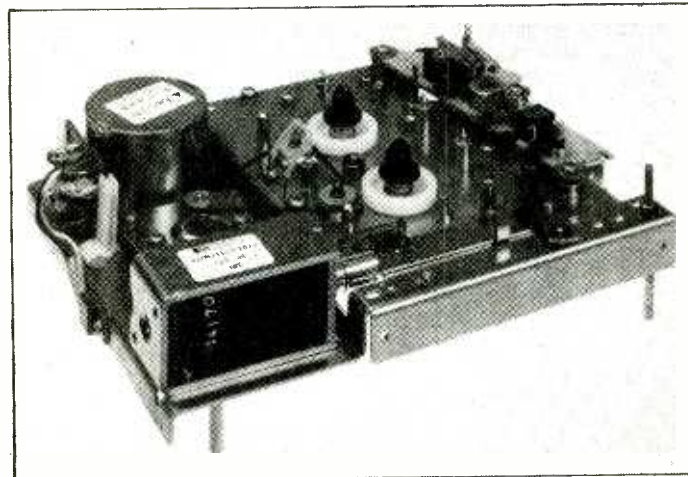
WW306

4½-digit multimeter

The Type 135 is a 4½-digit hand-held digital multimeter with l.c.d. indication similar to the maker's earlier 3½-digit model. Range and function are selected using two rotary switches. Accuracy on d.c. ranges is claimed to be 0.05%. The d.c. voltage ranges are from 2V to 1000V, the a.c. voltage ranges from 2V to 750V, while alternating and direct current ranges are 20mA and



WW305



WW306

10A. The five resistance ranges are from 2kΩ to 20MΩ. There is overload protection and an annunciator warns when 10% of the battery life remains. Price is £139 plus VAT. Keithley Instruments Ltd, 1 Boulton Road, Reading, Berks, RG2 0NL.

WW307

Photodiode

Designed for use in visible and near infrared light-sensing applications, the OP905 and OP915 p-i-n photodiodes, manufactured by TRW Opttron, have sensitivities of between 0.55 and 0.65 amp watt. Peak sensitivity is at 800nm for the 905 and at 920nm for the 915. Both devices have an active area of 7.5mm², and a spectral sensitivity range of 400 to 1200nm. Small p.c.b. mounting packages are used, so the devices can be placed side by side to form multi-element arrays. HB Electronics, Lever St, Bolton, Lancs BL3 6BJ.

WW308



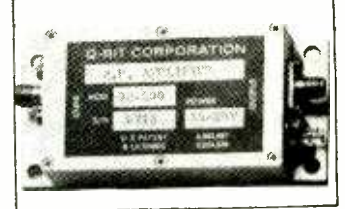
V.d.u. anti-glare coating

Fatigue caused by prolonged reading of v.d.u. screens is greatly reduced if the operator does not have to read through reflections on the screen. Chequers Ltd have introduced two products to aid the reading of v.d.us, one a range of filter materials and the other a coating, known as Glarecheq, which can be sprayed directly onto the v.d.u. screen to form a hard matt finish which reduces reflected glare to a minimum. The SpectraFilter range of filter materials is designed to provide optimum contrast ratios on l.e.d. displays and fluorescent phosphor type readouts, such as c.r. tubes, without optical aberration. These filter materials, in various colours and tints, can be supplied in dimensions specified by the user, with the anti-glare coating applied, to provide complete v.d.u. screens. Chequers (UK) Ltd, 1-4 Christina St, London EC2A 4PA

WW309

R.f. amplifier

Reverse isolation of the QB-500 linear phase r.f. amplifier, from March Microwave, is greater than -30dB over the bandwidth, 2MHz to 500MHz. Less than 1.2:1 is quoted for the input output v.s.w.r. and the small signal gain is within ±0.5dB of 20dB across the



bandwidth. This unit is capable of providing an output power of 19dBm at 1dBm gain compression and provides reverse voltage and transient protection. Power supply requirements are from 15 to 24V d.c. at 140mA and the aluminium housing measures 3 × 1.75 × 1.07 in with a choice of either SMA or BNC connectors. March Microwave Ltd, 112 South St, Braintree, Essex.

WW310

User port for ZX80

This plug-in user port is designed around the ZX80 parallel input/output ports and is programmable in four modes, providing access to 16 i/o data lines and four control lines. These lines are made available through a 24-pin d.i.l. socket, which also gives access to the power supply of the computer. The USR and GOSUB commands are used to transmit or receive data. Software, on a C12 cassette, and an instruction booklet are included in the price of £29. The manufacturer claims that with this package, the newcomer will be able to control d.c. motors, mains appliances, and be able to input data relating to temperature and light levels. J.M.J. Interfaces, Old School House, Rettendon Turnpike Battlesbridge, Wickford, Essex.

WW311

Wideband op-amp

Outputs of ±30V at 150mA and a slew rate of 300V/μs are specifications of the 1460 wideband op-amp from Teledyne Philbrick. The maximum operating frequency is quoted as 10MHz and with an external capacitor, unity gain is at 1GHz. A v.m.o.s. output stage is



used to reduce secondary breakdown problems usually associated with power op-amps. Technical Selling Services, Unit 5, Brunel Gate, West Portway Industrial Estate, Andover, Hants.

WW312

SIDEBANDS

By Mixer

Microchips and megadeaths

It's a hazardous business, writing editorials, at the best of times. There is always someone who disagrees, and can't wait to say so in print — it proves, at least, that someone is paying attention and it makes for interesting Letters pages. But sometimes the people who write in to congratulate or castigate seem to have missed the point, and one wonders whether the latest editorial has been written in the clearest possible English. It isn't very often, though, that a leader provokes a response like that following the publication of the November 1980 piece 'Microchips and megadeaths'. From reading the letters it seems pretty clear that a lot of those who have written to us decided they thought they knew what was being written and didn't bother to read the words that were really there.

We have been accused of treachery, of consorting with the Red Menace, of incitement to rebellion — and worse, of being wet liberals. The fact is, as anyone who takes the trouble to read the piece properly can verify, that the editorial was addressed to engineers in all countries, not just ours. It was not concerned with capitalism, communism, fascism or any other kind of political activity, but with the possibility of millions of people being destroyed or horribly injured because one group of politicians thinks their way of life better than the other group's.

Armaments build-ups, new kinds of 'deterrent' and the bellicose posturings of political 'leaders' are a global sickness which has been made possible by engineers in all the developed countries, and the burden of the November editorial was that engineers are the ones to stop it.

How is it possible to disagree with that?

Traffic diversions

The trend towards cathode-ray tubes instead of 'clocks' on aircraft instrument panels seems to be starting in cars, according to a communication from Zenith Radio Corporation. What's happened, they say, is that clear trends in down-sizing, federal display legislation and competitive pressures have led to highly feature-oriented vehicles. The good news is that trans-illuminated displays are easily eye-interpreted and provide increased information density.

You've got to hand it to them: their c.r.t.s may or may not be the bee's knees, but if you can't understand a word they say

you're in no position to argue. Still, they tried to make it a bit more easily brain-interpreted by printing pictures and giving a list of what Zenith thinks the up-to-the-minute driver of 1987 will want to know. There's a section on comfort and convenience, which not only provides for a calculator and personal computer, but power seats (with memory). Leaving aside the somewhat alarming question of power seats, and why it is felt necessary to provide them with a memory, the spine-tingling vision of thousands of cars streaking about at high speed, while their drivers work out their income-tax returns on personal computers is one that should bring a gleam to the eye of any far-sighted insurance salesman.

All the usual facts about speed, temperature, fuel, time and whatnot will be presented, with an intruder alarm (surely you know when someone is trying to break into your car, even if you're engrossed with a personal computer), crash recorder (that computer again) and a flasher control, which I presume shows when the ice-cold jet of water is being projected at the pavement.

Finally, we are informed, there may be a game. Well, I should just think there will — the trendy driver in 1987 will not want to spend all his time computing. Zenith don't say what kind of game they have in mind; maybe it's one of those where you have to try and steer a 'car' along a twisty 'road'.

Business as usual

Forgive me for returning to the theme of doom and gloom, but I've just spotted an indication that a nuclear attack may not be quite as bad as you might have thought, and I think it deserves to be better known.

I dare say a lot of you thought that a few bombs carefully deployed over Britain would leave very little of consequence standing. If, however, you do subscribe to the school of thought that says the aftermath of such a catastrophe would be a landscape like a dark brown billiard table, only smoother, then take heart, because the Co-op will still be there. At least, the Co-op clearly has every intention of being there, because it was represented at a seminar, run by the Nuclear Protection Advisory Group, on protecting industry in a nuclear attack. One of the seminar's aims is to "... help business planners assess what they can do to protect their work forces and essential plant ...".

Fair takes your breath away, it does. I mean, there they are, the half-dozen or so irradiated wrecks of humanity who manage to survive the first fortnight after the

bomb, climbing out of their holes in the ground to find complete devastation all around. No people, no buildings, no trees but, wouldn't you know it? the local Co-op, advertising sweeping reductions on home decorating materials.

There'll be others, too — the ones who have protected their plant and work forces. So, some people will be left, and I can quite see that the uppermost thought in any worker's mind, after a 50 megaton bomb just wiped out umpteen million people and most of Britain, would be to get back to churning out kitchen furniture and ball-point pens as quickly as possible.

This sort of thinking is absolute nonsense. Dangerous, pathetic half-baked nonsense. If a nuclear war starts, **THAT WILL BE THAT**, and anyone who kids himself that there will be any significant amount of life left on this planet afterwards ought not to be in a position where he can influence the gullible.

House-trained c.b.

I don't suppose it will ever be called Open Channel. Personal radio has been c.b. for years now, and it will take more than a quirky Civil Service name-coiner to change it. Anyway, whatever its name, come the Autumn, breakers will stop being law breakers and revert to their previous state of respectability, assuming that was their previous state.

It seems probable that the majority of c.b. operators are not primarily interested in the techniques of radio and the engineering side of the hobby, and will continue to buy their equipment just for the fun of using it. Nevertheless, there are bound to be some of our readers who want to make their own rigs, so we have decided to publish a design for the construction of a transceiver, which should perform a bit better than the usual run of existing gear. It might well cost a bit more, too, but it will be professionally designed, using professional components and we think you will like it. It should be ready for the start of licit operation.

So I suppose everyone will start learning American c.b. slang now, and that does strike me as a thoroughly pointless thing to do. Slang isn't something you have to learn — it evolves naturally by use and it is relevant to the people using it, not another group several thousand miles away which has a different life-style. To address a contact whose real name is Albert Ollerenshaw or Ada Birtwhistle as "Good buddy" is a bit like singing 'On Ilkla Moor B'ah't 'at' in a Welsh accent.

We might even get the Americans calling each other "mate" and signing off with "T.t.f.n."

**ALWAYS
A CHANGING RANGE OF OSCILLOSCOPES, COMPUTERS, TERMINALS ETC.**

- Item No.
- 1 TEKTRONIX STORAGE OSCILLOSCOPE Type 434. Current Model As new. 12 months warranty (No warranty £1,400) **£1,850**
 - 2 TEKTRONIX STORAGE OSCILLOSCOPE type 564 with 3A6 & 3B4 **£350**
 - 3 HAMEG OSCILLOSCOPE type 412. Dual Trace 20 MHz **£250**
 - 4 TELEQUIPMENT OSCILLOSCOPE type D61A. Dual Trace 10MHz **£200**
 - 5 SCOPEX OSCILLOSCOPE type 4D10. Dual Trace 10MHz **£170**
 - 6 HEWLETT PACKARD OSCILLOSCOPE type 120B. (X-Y) **£150**
 - 7 MARCONI WAVE ANALYSER TF2338. Good condition **£80**
 - 8 AVO UNIVERSAL BRIDGE B150 with adaptor A151 **£40**
 - 9 ADVANCE SIGNAL GENERATOR type E2 100KHZ-100MHZ **£50**
 - 10 B & K AUTO VIBRATOR EXCITER CONTROL type 101B **£20**
 - 11 SOLARTRON Digital Voltmeter type LM1450 **£120**
 - 12 SOLARTRON PULSE GENERATOR type G01101.2 **£35**
 - 13 ADVANCE V.H.F. Millivoltmeter type VM79. No probes **£25**
 - 14 ADVANCE A.F. SIGNAL GENERATOR type VM79. No probes **£90**
 - 15 KNIGHT RF Sig Gen KG686 with Sweep Marker Gen KG687. The Pair **£45**
 - 16 ADVANCE Audio Signal Generator HIE 15HZ to 50KHZ **£50**
 - 17 BEULAH VIDEO MONITOR **£40**
 - 18 LYONS PULSE GENERATOR type P3-2E **£40**
 - 19 COSSOR SINE/SQUARE WAVE GENERATOR 20HZ-1MHZ **£75**
 - 20 AVO UNIVERSAL BRIDGE Type 1 **£90**
 - 21 P.S. I RMS VOLTMETER type A1301 **£30**
 - 22 LABGEAR 625 COLOUR MATCH GENERATOR CM 6004-PG **£75**
 - 23 ADVANCE LF OSCILLATOR type SG65A **£125**
 - 24 TAYLOR AM/FM SIGNAL GENERATOR type 62A Mk II **£90**
 - 25 MARCONI UNIVERSAL BRIDGE type TF1313 114% **£75**
 - 26 MARCONI WIDE RANGE OSCILLATOR type TF1370 10HZ-10MHZ **£75**
 - 27 SOLARTRON TRUE RMS VOLTMETER type VM1484 **£25**
 - 28 RANK V.H.F. SIGNAL STRENGTH INDICATOR **£75**
 - 29 RACAL COUNTER ELECTRONIC FREQUENCY 32MHZ type 836 **£40**
 - 30 WAYNE KERR CAPACITANCE BRIDGE type B541C **£45**
 - 31 WAYNE KERR COMPONENT BRIDGE type B121 **£175**
 - 32 HEWLETT PACKARD DC CURRENT SOURCE type 6181B 0-100V/0-250MA **£175**
 - 33 MARCONI SAUNDERS LEVELLING AMPLIFIER type 6587 **£85**
 - 34 TEKTRONIX PRE TRIGGER PULSE GENERATOR type 111 **£375**
 - 35 RACAL H.F. SELECTIVE ANALYSER type 9056 **£225**
 - 36 MARCONI STANDARD SIGNAL GENERATOR type TF144H 10KHZ-72MHZ **£150**
 - 37 SCHLUMBERGER/SOLARTRON AUTOMATIC COUNTER type FB2602 **£90**
 - 38 BRANDENBURG PHOTOMULTIPLIER POWER UNIT 0-2500Volts **£90**
 - 39 SCHLUMBERGER/SOLARTRON COMPUTING VOLTMETER type JM1776 **£30**
 - 40 HEWLETT PACKARD AC CONVERTOR type 3461A **£75**
 - 41 MUIRHEAD WAVE ANALYSER K-134 A 30-310HZ **£50**
 - 42 PHILIPS COMPARTOR 27KHZ **£25**
 - 43 HEATHKIT CAPACITOR CHECKER IT-28 **£60**
 - 44 HEWLETT PACKARD DIGITAL VOLTMETER type 3440A **£130**
 - 45 HEWLETT PACKARD FREQUENCY CONVERTOR type 8729A **£35**
 - 46 RACAL AUTO FREQUENCY CONVERTOR type 803R 500MHZ **£75**
 - 47 AIRMEX ELECTRONIC VOLTMETER type 314A

- 48 VARIAN RUBIDIUM FREQUENCY STANDARD 100KHZ/1MHZ/5MHZ **£600**
- 49 KEITHLEY INSTRUMENTS REGULATED HIGH VOLTAGE SUPPLY TYPE 616 Accuracy 1/0.05% 1mv **£250**
- 50 T.O.A. ELECTRONIC POLYRECORDER type EPR-2T **£90**
- 51 STODDARD AIRCRAFT Radio Interference and Field Intensity Meter type NM-52A 375-1000MHZ (2 pieces) **£275**
- 52 TAYLOR VALVE TESTER type 45D **£45**
- 53 RHODE & SCHWARZ UHF TEST RECEIVER BN1523 280-940MHZ (4000MHz) **£120**
- 54 R & S Z G DIAPHRAGM 300-2400 MHZ BN3562 **£85**
- 55 R & S L balanced Standard ATTENUATOR BN18042/50 **£45**
- 56 R & S VHF-UHF FREQUENCY METER 30-3000MHZ BN442 **£60**
- 57 R & S DIRECT CAPACITANCE METER BN5201 **£75**
- 58 WAYNE KERR UNIVERSAL BRIDGE type B521 (CT375) **£250**
- 59 B & K FETEROIDNE VOLTMETER type 2005 **£250**
- 60 HEWLETT PACKARD CLIP ON DC MILLIAMPMETER type 428A with probe **£70**
- 61 SOLAFTRON DIGITAL VOLTMETER type LM1420 2 **£30**
- 62 SOLAFTRON DIGITAL VOLTMETER type 1420 2 with Mean AC Unit **£35**
- 63 SOLAFTRON DIGITAL VOLTMETER type 1867 **£225**
- 64 MARCONI SIGNAL GENERATOR type TF995A/3/S (CT402) **£40**
- 65 HEWLETT PACKARD VALVE VOLTMETER type 412A **£30**
- 66 HATFIELD SELECTIVE LEVEL METER type 1001 **£90**
- 67 COSSOR NOISE LEVEL METER CT454 **£18**
- 68 HEATKIT DECADE RESISTANCE BOX DR1U **£40**
- 69 MARCONI VARIABLE ATTENUATOR type TF1073A/S (CT421) **£40**
- 70 HEATKIT VALVE MILLIVOLTMETER type 2005 **£40**
- 71 ROCHAR UNIVERSAL COUNTER TIMER type A1149 **£50**
- 72 WAYNE KERR UNIVERSAL BRIDGE type B221 **£60**
- 73 WAYNE KERR AF SIGNAL GENERATOR type S121 10HZ-120KHZ **£30**
- 74 SIGNAL GENERATOR type CT344 0.1HZ-10MHZ **£30**
- 75 CLARE FLASH TESTER type Q103B **£35**
- 76 MARCONI RF ATTENUATOR type TF1073A **£15**
- 77 HEATKIT VALVE MILLIVOLTMETER A-V-3U **£55**
- 78 TEOLOC SWEEPER 450 900MHZ **£35**
- 79 COSSOR SWEEP OSCILLATOR type CT202 **£20**
- 80 WEIR DIGITAL VOLTMETER type 500 Mk 3 **£130**
- 81 AIRMEX AM/FM SIGNAL GENERATOR type 204 1-320MHZ **£90**
- 82 HATFIELD TRANSISTORISED SELECTIVE LEVEL METER SPO 7820 **£90**
- 83 S.T.C. LEVEL MEASURING SET type 74309B **£30**
- 84 AVO TRANSISTOR ANALYSER type CT446 **£35**
- 85 SIEMENS SUPERHET RECEIVER 30HZ-1MHZ **£80**
- 86 R & S MICROWAVE POWER METER BN2412/50 0-3200MHZ **£25**
- 87 ADVANCE SIGNAL GENERATOR B48 100KHZ-100MHZ **£25**
- 88 HEWLETT PACKARD DIGITAL RECORDER type 5050B **£75**
- 89 BRYANS X-Y PLOTTER - No pen **£60**
- 90 HAVAN X-Y RECORDER type HR100 - No pen **£50**
- 91 MARCONI DOUBLE PULSE GENERATOR type TF1400/S **£90**
- 92 RADIONETER WAVE ANALYSER type FRA 2C13A 30HZ-16KHZ **£70**
- 93 R & S RESONANCE FREQUENCY METER BN4312/2 30-300MHZ **£70**
- 94 S.T.C. OSCILLATOR type 74308A **£30**
- 95 WAYNE KERR VIDEO OSCILLATOR type 022B 10KHZ-10MHZ **£50**
- 96 HEWLETT PACKARD OSCILLOSCOPE type 661 with 4S1 Yamp & 5T1A TB **£275**
- 97 TEKTRONIX SAMPLING OSCILLOSCOPE type 661 with 4S1 Yamp & 5T1A TB **£275**
- 98 HEWLETT PACKARD MEMORY DISPLAY 5480A with 5486A Control TB and 5485A two channel input **£225**
- 99 E.H.T. Unit 230 Volts 50V to 255V 7.5KV **£18**
- 100 AVO VALVE CHARACTERISTIC METER **£20**

PLEASE CHECK AVAILABILITY BEFORE ORDERING

CREED MODEL 75

Printer with keyboard. Late model. Still the cheapest way to get a printout from your microprocessor. Basic data and connections supplied.

Used, good condition
ONLY £25 each
As new, Ministry boxed **£40 each**

RACAL SA520
Frequency counter. Small compact unit.
£15 each

INFRA RED IMAGE CONVERTER Type 9606 (CV 144)

1 1/4in diameter. Requires single low current 3KV to 6KV supply individually boxed. With data.
£12.50 each
Infra Red Lamps also advertised

FERRET A.T.E. £650
Phone for details

VARIAN RUBIDIUM STANDARD Model R20. 5mhz, 1mhz, 0.1mhz £600

EX-MINISTRY SOLID STATE 400 HZ INVERTOR
28 VDC input, 115V output. Size 7 x 2 1/2 x 1 1/2 in approx. Connection details supplied.
£18 each. P&P £2

TRANSISTOR INVERTOR
115V AC 1.7 Amp Input. Switching is at 20Khz. Output windings from Pot Core. Can be rewound to suit own purpose or unit can be broken for host of components. Circuits supplied.
£1.25 each. P&P £2.

CONVERT THIS UNIT TO A SUPER BATTERY CHARGER
Attractive green ministry quality case with removable top and bottom plates - heavy duty power switches, high powered resistors to control current, good quality centre mounted ammeter, strip of wing nut terminals on front panel which can be used for connecting leads. All this for **£3.50. P&P £2.** Four units **£12.** Carriage **£5.**

STEPPING MOTORS
6/12 position with additional where the rotor is coils. Device can be used as a tachometer. Diagram supplied. Will actually work on 5 volts. 12/24 recommended.
£1.50 each P&P 75p
or 5 for **£5 P&P £1.50.**

STEPPING MOTORS
200 Steps. 20 oz/in. torque, 12/24 volt input 5-wire
£12 each. P&P £1.50

KEYBOARD PAD
Size 3x2 1/2 x 2 1/2 with 12 Alma Reed Switches. Blue keys marked in green 0-9 and a star with one blank.
£4 each. P&P £1. or 5 for **£15 P&P £2.**

MINIATURE KEYBOARD
Push contacts, marked 0-9 and A-F and 3 optional function keys. **£1.75 each.**

- CRYSTALS** 50p each
Flat metal case - 19.2KHZ; 844.3KHz; B7G 10MHZ
- LOUDHAILERS.** Transistorised hand-held, no leads. Standard internal batteries supplied. Howl Switch **£20 ea. P&P £2.**
- INFRA RED QUARTZ LAMPS.** 230V 620 watts. Size 1 3/8" x 1 1/8" dia **£1.50 ea.** 240V 1650 watts Size 2 3/4" x 1 1/2" dia **£3 ea.**
- BRIDGE RECTIFIER.** 2 Amp 50p ea.
- PHOTODIODE DETECTOR 4.** 1ly leads, 25p ea.
- AMPHENOL.** 17-way chassis mount edge connectors 0.1 spacing 15p ea.
- I.E.C. Standard MAINS LEAD.** Moulded (3 vertical flat pins centre offset) 60p ea.
- FANS.** 115V 13 watts. Size 3 1/4 x 3 1/4 x 1 1/2" BRAND NEW **£4.50 ea.** Secondhand **£2.50 ea.**
- DELAY LINE.** 50 nanoseconds 3 connections ground-in-out. Size 2 x 7/16 x 5/16 New **25p ea.**
- MOTOR.** 12V DC with pulley and integral semiconductor Speed Control. New **£1 ea.**
- LEDEX ROTARY SOLENOIDS.** 115V DC. No switch assembly 15p ea.
- DIAMOND H CONTROLS ROTARY SWITCH.** Single pole 10 way. Printed Circuit Mount New **10p ea.** 100 for **£7.50.**

SOME TEKTRONIX 500 RANGE OSCILLOSCOPES
with Single Trace Plug-ins. Working.
From **£100.** Phone for details

DIODES
All new full spec. devices
IN3063 BAX 13. 1S44, 1N4148;
1N3470; 1N4151.
100 off **£1.50, 1,000 off £10**

- PULSE TRANSFORMER.** Sub min. Size 1/2 x 5/16 x 1/4. Secondary centre tapped. New 20p ea.
- REMO TY TYPE MULTIPLIER.** Two high voltage outputs and focus. **£1 each.**
- DON'T TAKE CHANCES.** Use the proper EHT CABLE 10p per metre or **£7.50** per 100 metre drum. **P&P £2.**
- PHOTOGRAPH CLAMPS.** Pearl 230V 500 watt Screw cap 75p ea. Box of 12 **£5.50. P&P £1.50.**
- RAPID DISCHARGE capacitors** 8mf 4kV **£5 each. P&P £2.**
- MYSTERY IC PACK.** Some 40 pin good mixture all new devices. 25 ICs for **£1. P&P 50p.**
- DECOUPLING CAPACITORS**
6.05mf 10V. C.01mf. 0.047mf 250V. 33K. 330pf. All values. 100 for **£1.50.**
- E.H.T. Capacitor** 500pf 8KV 20p each.
- 10-way MULTI COLOUR RIBBON CABLE.** New 40p per metre. 10 metres for **£3.**
- GEC UHF 4-button tuner** **£1.50 each.**
- CENTAUR 115V FANS** 4 1/2 x 4 1/2 x 1 1/2" **£4.50 ea.** Ex-equipment, tested 60p each.
- CONTACTORS.** Heavy Duty 24V DC5 make **£1 each.**
- GEC UHF/VHF 6-button tuner** **£2 each.**
- 931A PHOTO MULTIPLIER** **£2 each. P&P £1.**
- RANGE 250V 18A THERMOSTATS** with Control knobs calibrated 50-200 degree **£2.50 each.**
- SOLID STATE UHF TUNERS.** 38MHZ **£1 each.**
- BRAND REX tube wire wraps.** 30 metres for **£1. P&P 25p.**
- SLIDER CON. ROL. BOX 500K Log.** Single track Complete with knob Length 3 1/2" 25p each.
- TRANSFORMERS**
AUTO 240V input 115V. 1 Amp output **£1.25 each. P&P £1.25.**
240V input. Svc 6V. 1.86A. Size 2 1/2 x 2 1/2" Good quality **£1.50 ea. P&P £1.**
240V input. Svc. 12V 0.92A. Size 2 1/2 x 2 1/2" Good quality **£1.50 ea. P&P £1.**
240V input. Svc 12-0-12V 50MA. Size 53 x 45 x 40mm **£1 ea.**
115V input. Svc 5V 250MA. Size 1 1/16 x 1 5/16 x 1 1/4 2 for: 50p
115V input. Svc 10-0-10V1A. Size 2 1/2 x 2 x 2 1/2 for: £1.50.
- SEMICONDUCTORS**
1N4005 5p 1N4002 3p
At 5p each:
BC147, BC149B, BC157, BC158, BC237, OA90, OA81, BA154, BA243.
At 25p each:
TIP31, TIP41A, 2N6596, AF139, 21X341
BY127 10p, 3F181 20p, BD239 49p, BD241 40p, MA343A 49p, BD228 50p, BD233 & BD234 Comp Pair 25W 80p per pr. at 50p each.
REGULATOR: TBA625 8 to 20V in 5V out 100MA T05 Con. 50p each BF-56C 20p.
TV AMPLIFIER TBA 120 20p each.

- Integrated Circuits**
- | | | | | | |
|-------|-----|-------|-----|---------|-----|
| 7453 | 5p | 74H51 | 7p | 75325 | £1 |
| 7451 | 5p | 74538 | 10p | SN15862 | 4p |
| 7402 | 12p | 74502 | 12p | MC4028 | 69p |
| 7476 | 20p | 74154 | 70p | 7417 | 14p |
| 7495 | 35p | 74002 | 16p | 7441 | 40p |
| 74200 | 17p | 74C04 | 18p | 74C86 | 50p |
| 74H74 | 12p | 74C74 | 18p | 74C161 | 24p |
- MOTOROLA DUAL** In Line 6-pin Opto Coupler 30p each. Gold plate tester version 50p each.
- ELECTROSTATIC VOLTMETER.** 7.5KV **£8 ea. P&P £1.50.**
- Other ranges available please enquire.
- TRIMMERS.** Sub min. 0.25 to 1.25 pf. 1 to 4.5 pf. 7 to 45 pf. All at 6p each.
- HONEYWELL** humidity controllers 50p each.
- THYRISTOR TIMER.** Solid State. 15 secs adjustable (reset) in plastic relay case. Standard 7 pin base. Series delay 50p each.
- MINIATURE PC MOUNT SLIDE SWITCH.** 2 pole 2 way 10p each.
- 4 DIGIT 7 SEGMENT** per digit plus a figure one to the left plus a centre minus sign to the left of the figure one with decimal places between digits. Good brilliance at 1.5V 15 connections **£2.50 each.**
- Some E.H.T. TRANSFORMERS and CAPACITORS available. Please enquire.
- TELEPHONES** 706 style black, grey or blue **£5.50 ea.** 746 style black or grey **£7.50.** Older style black **£2.50 each.** Discoloured grey **706 £4 ea. P&P £1.50** per telephone.
- DC SERVO MOTOR 110V 2.5 Amp** continuous. Double shaft Brand new 4 wire 4 brush **£18 ea.** Plus carriage.
- PC Mount POTS.** Wire wound with knob 200 ohm & 10 ohm. 10p ea.
- MINI RELAY 24V.** 2 pole c/o Brand new 75p each.
- TIME DELAY RELAY 0.1 to 10 secs** 115V AC. DPDT **£5 each.**
- CAPACITORS** at 5p each. 0.1uf 400V. Small rec block PC Mount German class. 3300pf, 220nf 250V, 0.01mf 160V
- INSERT** can be used as Microphone/Earpiece (like used as insert in telephone but superior quality) Ex-Min. Brand new wrapped 75p each, or 10 for **£6.**
- TOROIDAL TRANSFORMERS.** Input 0-120-240 Volts Output 0-12V, 0-12V, 10VA per winding. Encapsulated. identical to R.S. Components at **£8.90. OUR SPECIAL PRICE £5 ea. P&P £1.50.**
- TANTALUM CAPACITORS.** All at 10p each 100 off **£7.50.** 22mf 5V. 39mf 10V. 22mf 35V. 1mf 35V
- MINIATURE SLIDE SWITCHES.** Single pole 2 way 10p each 10 off 90p.
- HEAVY DUTY RHEOSTAT.** 7.5ohm, 5.5Amp. Diameter: 5 Standard 1/4 shaft **£2.50 each. P&P £1.50.**

LARGE EX-MINISTRY SPEAKERS. OUTSIDE 15 ohm or 500 ohm. Tested **£25 each** or 5 for **£100.**

MINIMUM ORDER **£3** VALUE OF GOODS. MINIMUM P&P **£1.50** - where P&P not stated please use own discretion - excess refunded. **£5** CARRIAGE ON ALL UNITS. P&P or CARRIAGE and VAT at 15% on total MUST BE ADDED TO ALL ORDERS. CALLERS VERY WELCOME STRICTLY BETWEEN 9am-1pm and 2-5pm Monday to Saturday inc. BARCLAYCARD (VISA) and ACCESS taken. Official orders welcome.

CHILLMEAD LTD
NORWOOD ROAD, READING
TELEPHONE NO. READING 669656
(2nd turning left past Reading Technical College in King's Road then first right - look on right for door with "Spoked Wheel")



SIMPLY AHEAD
and staying there

The range grows bigger... better...

New Profile Amplifiers - Two New Series

MOSFET

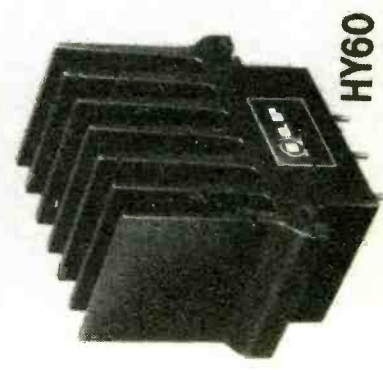
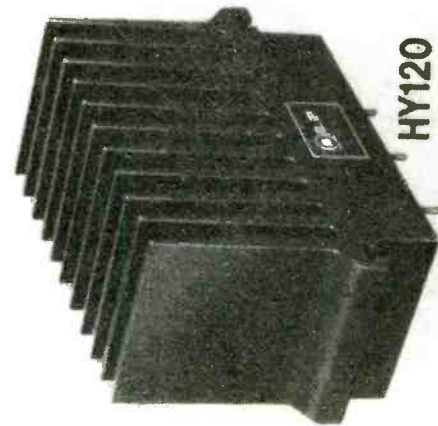
CHOOSE AN I.L.P. MOSFET POWER AMP when it is advantageous to have a faster slew rate, lower distortion at higher frequencies, enhanced thermal stability, the ability to work with complex loads without difficulty and complete absence of cross-over distortion. I.L.P.'s exclusive encapsulation technique within fully adequate heatsinks has been taken a stage further with specially developed computer-verified 'New Profile' extrusions. These ensure optimum operating efficiency from our new MOSFETS, and are easier to mount. Connections are via pins on the underside. **I.L.P. MOSFETS ARE IDENTICAL IN PERFORMANCE TO THE COSTLEST BIPOLAR AMPLIFIERS IN THIS EXCITING NEW CATEGORY BUT ARE ONLY A FRACTION OF THE PRICE CHARGED ELSEWHERE.**

Model	Output Power RMS	Distortion at 1KHz	Slew Rate	Rise Time	Signal/Noise Ratio DIN AUDIO	Price & VAT
MOS120	60W into 4-8Ω	0.005%	20V/μs	3μs	100dB	£25.88 + £3.88
MOS200	120W into 4-8Ω	0.005%	20V/μs	3μs	100dB	£33.46 + £5.02

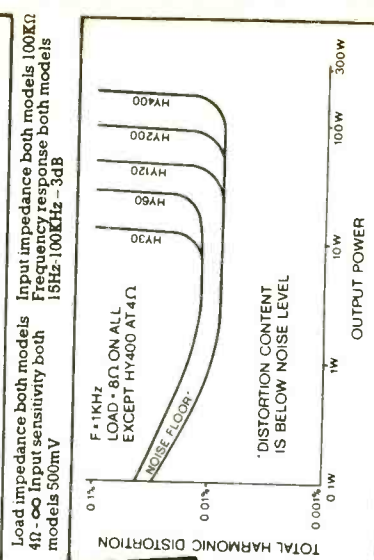
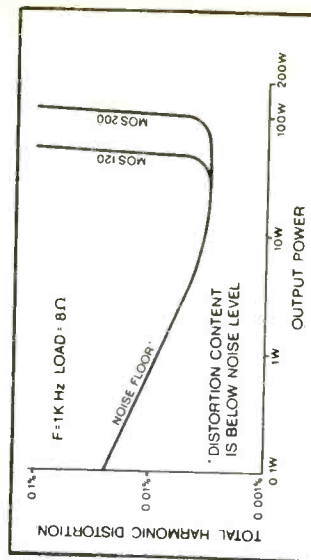
BIPOLAR

CHOOSE AN I.L.P. BIPOLAR POWER AMP where power and price are first consideration while maintaining optimum performance with hi-fi quality and wide choice of models. From domestic hi-fi to disco and P.A. for instrument amplification, there is an I.L.P. Bipolar to fill the bill, and as with our new Mosfets, we have encapsulated bipolar transistors within our New Profile extrusions with their computer-verified thermal efficiency and improved mounting shoulders. Connections are simple, via five pins on the underside and with our new pre-amps and power supply units, it becomes easier than ever to have a system layout housed the way you want it.

Model	Output Power RMS	Distortion at 1KHz	Slew Rate	Rise Time	Signal/Noise Ratio DIN AUDIO	Price & VAT
HY30	15W into 4-8Ω	0.015%	15V/μs	5μs	100dB	£7.29 + £1.09
HY60	30W into 4-8Ω	0.015%	15V/μs	5μs	100dB	£8.33 + £1.25
HY120	60W into 4-8Ω	0.01%	15V/μs	5μs	100dB	£17.48 + £2.62
HY200	120W into 4-8Ω	0.01%	15V/μs	5μs	100dB	£21.21 + £3.18
HY400	240W into 4Ω	0.01%	15V/μs	5μs	100dB	£31.83 + £4.77



I.L.P. POWER AMPS ARE ENCAPSULATED FOR THERMAL STABILITY AND LONGER LIFE



Load impedance both models 4Ω - ∞ Input sensitivity both models 500mV
Frequency response both models 15Hz-100KHz - 3dB

Load impedance all models 4Ω - ∞ Input impedance all models 100KΩ
Input sensitivity all models 500mV Frequency response all models 15Hz-50KHz - 3dB



THE NEW PROFILE EXTRUSIONS
The introduction of standard heatsink extrusion for all I.L.P. power amplifiers achieves many advantages. Research shows they provide optimum thermal dissipation and stability. Slotted shoulders allow easy mounting. Standardisation enables us to keep our prices competitive. Surfaces are matt black, anodised for higher thermal conductivity. Extrusions vary in size according to module number.

NEW PRE-AMPS

HY6 (mono) and HY66 (stereo) are new to I.L.P.'s range of advanced audio modules. Their improved characteristics and styling ensure their being compatible with all I.L.P. power-amps both MOSFET and BIPOLAR, giving you chance to get the best possible reproduction from your equipment. HY6 and HY66 pre-amps are protected against short circuit and wrong polarity. Full assembly instructions are provided. Mounting boards are available as below.

Sizes - HY6 - 45 x 20 x 40 mm. HY66 - 90 x 20 x 40 mm. Active Tone Control circuits provide ± 12 dB cut and boost. Inputs Sensitivity - Mag. PU - 3mV; Mic - selectable 1-12mV; All others 100mV. Tape O/P - 100mV; Main O/P - 500mV; Frequency response - D.C. to 100kHz - 3dB.

HY6 mono £6.44 + 97p VAT Connectors included
 HY66 stereo £12.19 + £1.83 VAT Connectors included
 B6 Mounting Board for one HY6 78p + 12p VAT
 B66 Mounting Board for one HY66 99p + 15p VAT

NEW POWER SUPPLY UNITS

Of the eleven power supply units which comprise our current range, nine have toroidal transformers made in our own factory. These I.L.P. power supply units are space-saving, more efficient and their better overall design helps enormously when assembly building. All models in the range are compatible with all I.L.P. amps and pre-amps with types to match whatever I.L.P. power amps you choose.

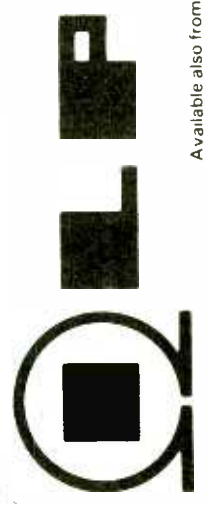
- PSU30 + 15V at 100mA to drive up to 12 x HY6 or 6 x HY66 £4.50 + 0.68p VAT
- PSU36 for use with 1 or 2 HY30's £8.10 + £1.22 VAT
- PSU50 for use with 1 or 2 HY60's £10.94 + £1.64 VAT
- PSU60 for use with 1 MOS120 £13.04 + £1.96 VAT
- PSU65 for use with 1 HY120 £13.32 + £2.00 VAT
- PSU70 for use with 1 or 2 HY120's £15.92 + £2.39 VAT
- PSU75 for use with 1 or 2 MOS120 £16.20 + £2.43 VAT
- PSU90 for use with 1 HY200 £16.20 + £2.43 VAT
- PSU95 for use with 1 MOS200 £16.32 + £2.45 VAT
- PSU180 for use with 1 HY400 or 2 HY200 £21.34 + £3.20 VAT
- PSU185 for use with 1 or 2 MOS200 £21.46 + £3.22 VAT

★ Freepost facility

When ordering or writing about I.L.P. products, you do not need to stamp the envelope. Mark it FREEPOST plus the code shown in the address below. We pay the postage for you.

★ TO ORDER

Send cheque or money order payable to I.L.P. Electronics Ltd and crossed. Or pay by ACCESS or BARCLAYCARD. Cash payments must be in registered envelope, if C.O.D. payment is wanted, please add £1.00 to TOTAL value of order.



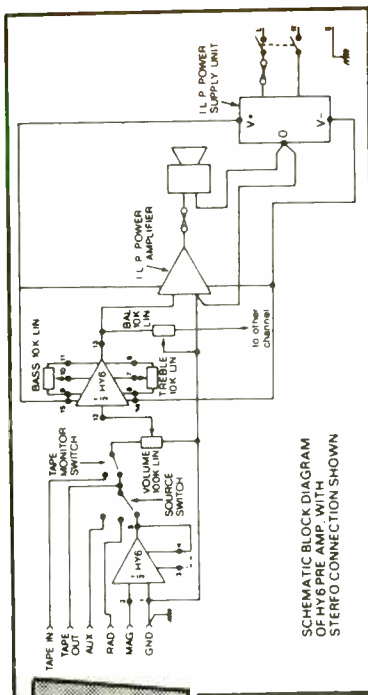
ELECTRONICS LTD.

FREE POST 6 Graham Bell House, Roper Close, Canterbury, Kent CT2 7EP.
 Telephone (0227) 54778 (Technical (0227) 64723) Telex 965780

Available also from MARSHALLS, WATFORD ELECTRONICS and certain other selected retailers

WW-023 FOR FURTHER DETAILS

COMPATIBLE WITH ALL I.L.P. MODULES



SCHEMATIC BLOCK DIAGRAM OF HY6 PRE-AMP WITH STEREO CONNECTION SHOWN

- DISTORTION TYPICALLY 0.005%
- S/N RATIO - 90dB (Mag. P.U. - 68 dB)
- 38 dB overload margin on Mag. P.U.
- LATEST DESIGN HIGH QUALITY CONNECTORS
- ONLY POTS, SWITCHES AND PLUGS/SOCKETS NEED ADDING
- NEEDS ONLY UNREGULATED POWER SUPPLY ± 15 to ± 60 V

IN A RANGE OF 11 MODELS USING LATEST TOROIDAL TRANSFORMERS

1971-1980 TEN YEARS OF PLANNED PROGRESS

When, in 1971, Ian L. Potts founded his now world-famous company, he saw the need for a different and more rational approach to exploiting to the full, the potential that lay in modular construction. New thinking was badly needed. The result was a range of modules revolutionary in concept. The rightness of this new thinking is shown by the size of the company today, its new factory, its vast exports, its acceptance by constructors as the modules to build with. The range grows bigger and better. Exciting new lines (in no way conflicting with existing ones) are well past drawing board stage. This is why I.L.P. are simply ahead and staying there.

BRITAIN'S FOREMOST QUALITY MODULE SUPPLIERS

To: I.L.P. ELECTRONICS LTD. CANTERBURY CT2 7EP

Please supply

Total purchase price £. I enclose Cheque Postal Orders International Money Order Please debit my Access/Barclaycard Account No.

NAME

ADDRESS

Signature

ALL U.K. ORDERS DESPATCHED POST FREE

NO QUIBBLE 5 YEAR GUARANTEE
 7-DAY DESPATCH ON ALL ORDERS
 BRITISH DESIGN AND MANUFACTURE
 FREEPOST SERVICE

VALVES		Minimum Order £1	VALVES VAT IS INCLUDED								
A1065	1.40	EL95	0.80	QQV03-20A	6AB7	0.70	6X5GT	0.65	954	0.60	
A2234	8.20	EL2304	1.70	QQV03-25	6AC7	1.15	6Y6G	0.90	955	0.70	
A2900	12.60	EL509	0.80		6AD7	0.80	6Z4	0.70	956	0.60	
ARB	0.75	EL802	1.70		6AH6	1.15	7B7	1.75	957	1.05	
ARP3	0.70	EL821	8.20	QQV06/40A	6AK5	0.65	7Y4	1.25	957	1.80	
ATP4	0.60	EL822	9.95		6AK8	0.60	9D2	0.70	1629	1.85	
B12H	3.90	EM31	1.60	QV03-12	4.20	6AL5	0.60	9D6	2.90	2051	2.90
CV31	1.40	EM80	0.85	SC17400	4.50	6AL5W	0.85	10C2	0.85	5763	4.20
DAF96	0.70	EM81	0.85	SC17600	1.80	6AM5	4.20	10F18	0.70	5842	7.50
DET22	26.95	EM84	0.85	SP61	1.80	6AM6	1.50	10P13	1.50	5881	3.40
DF96	0.70	EM87	1.30	TT21	16.50	6AN8A	2.50	11E2	19.50	5930	6.90
DK96	1.20	EY51	0.95	U25	1.15	6AQ4	3.40	12A6	0.70	6057	2.20
DH76	0.75	EY81	0.65	U26	1.15	6AQ5	1.00	12AT6	0.70	6060	1.95
DL32	0.60	EY86/87	0.60	U27	1.15	6A05W	1.80	12AT7	0.65	6064	2.30
DY86/87	0.85	EY96	0.55	U191	0.70	6AT6	0.90	12AV6	0.60	6065	3.20
E55L	14.90	EZ81	0.70	U301	0.65	6AU6	0.60	12AX7	0.95	6067	2.30
E88CC	1.60	GM4	5.90	U600	11.50	6AV6	0.85	12BA6	0.90	6146	4.95
E88CC/01	1.10	GY501	1.30	U801	0.90	6AX4GT	1.30	12BE6	1.25	6146B	5.20
E92CC	3.20	GZ32	1.05	UBC41	1.20	6AX5GT	1.30	12BH7	1.10	6360	2.85
E180CC	2.80	GZ33	4.20	UABC80	0.75	6BA6	0.55	12C8	0.65	6550	6.60
E180F	6.30	GZ34	2.30	UAF42	1.20	6BB6	0.60	12E1	18.95	6870	14.00
E182CC	4.95	GZ37	3.95	UBF80	0.70	6BG6G	1.60	12J5T	0.55	8552	8.20
EA76	2.25	KT66	6.30	UBF89	0.70	6BJ6	1.30	12K7GT	0.70	8913	3.30
EABCC80	0.60	9.20*	1.75	UBL21	1.75	6BQ7A	0.85	12K8GT	0.80	7199	2.85
EB91	0.60	KT88	13.80*	UCC84	0.85	6BR7	4.80	12Q7GT	0.60	3BP1	11.00
EB93	1.15	MH4	2.50	UCC85	0.70	6BW6	6.20	12SC7	0.65	5FP7	18.00
EB930	0.90	ML6	2.50	UCF80	1.30	6BW7	0.90	12SH7	0.85	4EP1	32.00
EBF80	0.60	MX10/01	21.50	UCH42	1.65	6C7	0.70	12SJ7	0.70	8BJ	14.00
EBF83	0.60	N78	9.90	UCH81	0.75	6C6	0.55	12SQ7	0.70	8L4	14.00
EBF89	0.80	OA2	0.70	UCL82	0.95	6CH6	8.20	12SQ7GT	0.85	CV1526	16.40
EC52	0.65	OB2	0.80	UF41	1.35	6CL6	1.70	12Y4	0.70	DG7-5	22.40
EC91	3.40	PABC80	0.60	UF80	0.95	6CX8	3.80	13D3	0.70	DG7-32	34.80
EC92	0.85	PC85	0.65	UF85	0.95	6CY5	1.15	13D5	0.90	DG7-36	36.00
ECC81	0.65	PC86	0.95	UF41	1.35	6D5	0.70	13D6	0.80	DPM9-11	38.40
ECC82	0.60	PC88	0.95	UL94	0.95	6EA8	3.20	14S7	1.15	D13-33GM	41.80
ECC83	0.65	PC97	1.50	UM80	0.90	6F6	1.60	19A05	0.85		
ECC84	0.60	PC900	1.15	UM84	0.70	6F6GB	1.10	19G3	11.50		
ECC85	0.60	PC84	0.50	UY82	0.70	6F7	2.80	19G6	8.50	* spec. Q	
ECC86	1.70	PC89	0.85	UY85	0.85	6F8G	0.85	19H5	39.55		
ECC88	0.80	PC189	1.05	VR105/30	1.25	6F12	1.50	20D1	0.80		
ECC189	0.95	PCF80	0.80	VR150/30	1.35	6F14	1.15	20F2	0.85		
ECC804	0.90	PCF82	0.70	X66	0.95	6F15	1.30	20E1	1.30		
ECC80	0.85	PCF84	0.75	X61M	1.70	6F17	1.15	20P1	0.65		
ECC82	0.65	PCF86	1.50	XR1-6400A	6F23	0.75	20P3	0.75			
ECC801	1.05	PCF87	0.50		6F24	1.75	20P4	1.25	4CX 1000A		
ECC834	2.25	PCF200	1.60	Z769	82.90	6F24	1.75	20P5	1.35	4CX 5000A	
ECH35	1.70	PCF201	1.85	Z769	19.00	6F33	10.50	20P6	1.35	BM 25L	
ECH42	1.20	PCF800	0.50	Z800U	3.45	6GAB	0.90	25Z4G	0.75	BW 153	
ECH81	0.70	PCF801	1.75	Z801U	3.75	6GH8A	0.95	30C15	0.50	DM 25LB	
ECH84	0.80	PCF802	0.85	Z803U	16.00	6H6	1.60	30C17	0.50	YL 1420	
ECL80	0.70	PCF805	2.45	Z900T	2.45	6J4	1.35	30C18	2.45	YL1430	
ECL82	0.75	PL82	1.20	1A3	0.85	6JAWA	2.00	30F5	1.15	YL1440	
ECL83	1.40	PCF808	2.05	1L4	0.50	6J5	2.30	30FL2	1.40	GXU 6	
ECL85	0.80	PCH200	1.35	1R5	0.60	6J5GT	0.90	30FL12	2.45	CV1597	
ECL86	0.90	PCL81	0.75	1S4	0.45	6J6	0.65	30FL14	2.15	CV2116	
EF37A	2.15	PCL82	0.95	1S5	0.45	6J6W	0.90	30L15	1.10	4CX 1500B	
EF39	1.80	PCL84	0.90	1T4	0.45	6J7	1.20	30L17	1.10	BR 189	
EF80	0.95	PL86	1.05	1U4	0.80	6J6BC	2.95	30P12	1.15	BR 178	
EF83	1.75	PCL805/85	1.25	1X2B	1.40	6J5BC	2.95	30P13	1.25	GMU 2	
EF85	0.60	PD500/510	4.30	2D21	1.10	6K7	0.80	30PL14	2.45	TY4 500	
EF86	0.75	PFL200	1.10	1.85*	6L6M	2.80	35L6GT	1.40		BK485/5552A	
EF89	1.05	PL36	2.80	2K25	11.90	6L6G	2.50	35W4	0.80	MIL 5948/1754	
EF91	1.50	PL36	1.25	2X2	1.15	6L6GC	2.10	35Z4GT	0.80		
EF92	2.80	PL81	0.65	3A4	0.70	6L6GT	1.25	40KD6	3.15		
EF95	0.65	PL82	0.70	3A7	2.40	6L7G	0.65	50C5	1.15		
EF96	0.60	PL83	0.60	3D6	0.50	6L8	0.70	50CD6G	0.35		
EF183	0.80	PL84	0.95	3D22	23.00	6LQ6	2.95	75B1	1.25		
EF184	0.80	PL504	1.45	3E29	19.00	6LD20	0.70	75C1	1.70	SN74L73N	0.38
EFB04	4.95	PL508	1.95	354	0.60	6KG6A	2.70	76	0.95	SN7474N	0.30
EFB12	0.75	PL509	2.90	4B32	18.25	6G7G	1.30	78	0.95	SN7485N	0.95
EFL200	1.85	PL519	3.20	5B/25AM	16.90	6SA7	1.00	80	1.70	SN74L85N	1.10
EH90	0.85	PL802	3.20	5B/25M	14.50	6SG7	1.15	85A2	1.40	SN7491AN	0.32
EL32	1.10	PY33	0.70	5B/25M8	12.50	6SJ7	1.05	255*	1.05	SN74123N	0.42
EL34	1.80	PY80	0.70	5C22	29.90	6SK7	0.95	723A/B	11.90	DM74123N	0.38
EL37	4.40	PY82	0.65	5R4GY	1.80	6SL7GT	0.85	805	20.70	SN15836N	0.26
EL81	2.45	PY83	0.80	5U4G	0.75	6SN7GT	0.80	807	1.25	SN76013N	1.80
EL82	0.70	PY88	0.85	5V4G3	0.75	6SR7	1.10	813	14.80	SN76030N	1.60
EL84	0.80	PY500	1.70	5Z3	0.80	6SQ7	0.95	829B	14.00	SN76033N	1.95
EL86	0.95	PY809	6.45	5Z4G	0.75	6V6GT	1.50	832A	8.90	MC6800P	8.20
EL90	1.00	PY801	0.80	5Z4GT	1.05	6X4	0.95	866A	3.80	MC6800P	9.80
EL91	4.20	QQV03/10	2.85	6/30L2	0.90	6X4WA	2.10	931A	6.25	MC14511BA1	

VALVES AND TRANSISTORS
Telephone enquiries for valves, transistors, etc. retail 749 3934, trade and export 743 0893.

PRICES MAY VARY

TEST SET FT2 FOR TESTING Transceivers A40, A41, A42 and CPRC26.
HARNESSES "A" & "B" CONTROL UNITS "A" "R" "J1" "J2." Microphones No 5, 6, 7 connectors, frames, carrier sets, etc.
DRUM CABLE continuous connection YC 00433.

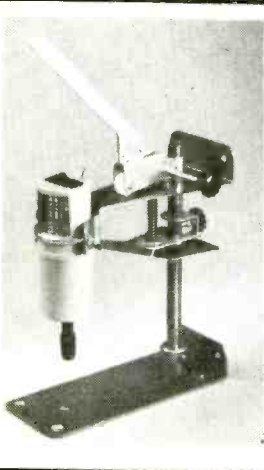
FIELD TELEPHONES TYPE "J". Tropical, in metal cases.

10-LINE MAGNETO SWITCHBOARD. Can work with every type of magneto telephones.

POSTAGE: £1-£3 45p; £3-£5 55p; £5-£10 60p; £10-£15 75p; £15-£20 90p; over £20 free.

COLOMOR
(ELECTRONICS LTD.)
170 Goldhawk Rd., London W.12

Tel. 01-743 0899
or 01-749 3934
Open Monday to Friday
9 a.m.-5.30 p.m.



LOW VOLTAGE POWER DRILLS AND ACCESSORIES

Illustration shows Titan Drill and Stand (Price £27 inc. VAT and Postage) which is One of the combinations which can be purchased from our comprehensive range of Drills and Accessories.

Prices from £8.34 (Reliant Drill only) inc. VAT and Postage.

Send 25p for Catalogue.

A. D. BAYLISS & SON LTD.
PFERA WORKS, REDMARLEY
GLOUCESTER GL19 3JU
Barclaycard: Access Welcome
Tel. Bromesberrow (053 181) 273

H.B.E.D.

1N4148 Diodes

1+	100+	1000+
.02	.016	.013

CARBON FILM RESISTORS E12 SERIES

LOW PROFILE I.C. SOCKETS

	TEXAS			SCANBE		
	1+	100+	500+	1+	100+	1000+
8 pin	.075	.068	.06	.059	.049	.044
14 pin	.09	.082	.073	.082	.07	.064
16 pin	.10	.096	.085	.091	.078	.07
18 pin	.125	.113	.10	.104	.089	.081
20 pin	.14	.126	.113	.12	.10	.092
22 pin	.15	.135	.12	.143	.122	.111
24 pin	.15	.135	.12	.146	.132	.116
28 pin	.16	.145	.125	.155	.14	.12
40 pin	.24	.215	.19	.23	.195	.176

L.E.D.s .125 and .2

RED	1+	100+	1000+
Y. or G.	.08	.069	.058
	.11	.10	.09

Prices per 100. Larger and Mixed. Quantity prices available.

100 off one type	.70	.5W
500 off one type	.62	.78
1000 off one type	.54	.68

Please add £1.50 handling charge and 15% V.A.T.

We also stock Microprocessors, CMOS, TTL, Transistors, Capacitors, Potentiometers, Connectors, etc. Free catalogue available to trade customers only. Enquiries welcome.

Harrison Bros.

Electronic Distributors
22 Milton Road, Westcliff-on-Sea
Essex SS0 7JX, England
Tel: Southend-on-Sea (0702) 32338

WW-044 FOR FURTHER DETAILS

RADIATION DETECTORS

BE PREPARED WITH THIS DETECTOR

Recommended for General use.

CIVIL DEFENCE • FIRE SERVICES • MEDICAL

VIEW THRU LENS

R

- THIS DOSIMETER WILL AUTOMATICALLY DETECT GAMMA AND X-RAYS.
- UNIT IS SIZE OF FOUNTAIN PEN AND WILL CLIP IN TOP POCKET.
- PRECISION INSTRUMENT, METAL CASED. WEIGHT 2oz.
- CONTAINS 3 LENSES. ■ RUGGED CONSTRUCTION.
- MANUFACTURERS CURRENT PRICE OF A SIMILAR MODEL OVER £25 EACH.

COMPLETE WITH DATA

Standard model
0-5 or 0-50R
ONLY

£6.95 inc. VAT
Post & Packing 60p

British design and manufacture. Tested, calibrated and guaranteed. Ex-stock delivery by return.

Be prepared. buy whilst available.

HENRY'S

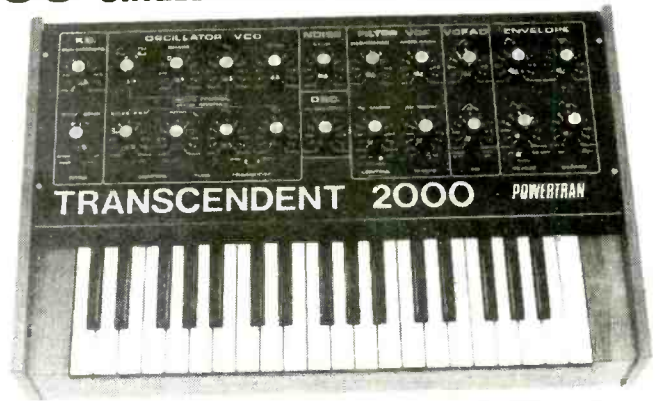
404 EDGWARE ROAD, LONDON W2 1ED

TRANSCENDENT 2000 SINGLE BOARD SYNTHESIZER

Designed by consultant Tim Orr (formerly synthesizer designer for EMS Ltd) and featured as a constructional article in ETI, this live performance synthesizer is a 3 octave instrument transposable 2 octaves up or down giving sweep control, a noise generator and an ADSR envelope shaper. There is also a slow oscillator, a new pitch detector, ADSR repeat, sample and hold, and special circuitry with precision components to ensure tuning stability amongst its many features.

The kit includes fully finished metalwork, fully assembled solid teak cabinet, filter sweep pedal, professional quality components (all resistors either 2% metal oxide or 1/2% metal film), and it really is complete — right down to the last nut and bolt and last piece of wire! There is even a 13A plug in the kit — you need buy absolutely no more parts before plugging in and making great music! Virtually all the components are on the one professional quality fibreglass PCB printed with component locations. All the controls mount directly on the main board, all connections to the board are made with connector plugs and construction is so simple it can be built in a few evenings by almost anyone capable of neat soldering! When finished you will possess a synthesizer comparable in performance and quality with ready-built units selling for many times the price.

Comprehensive handbook supplied with all complete kits! This fully describes construction and tells you how to set up your synthesizer with nothing more elaborate than a multi-meter and a pair of ears!

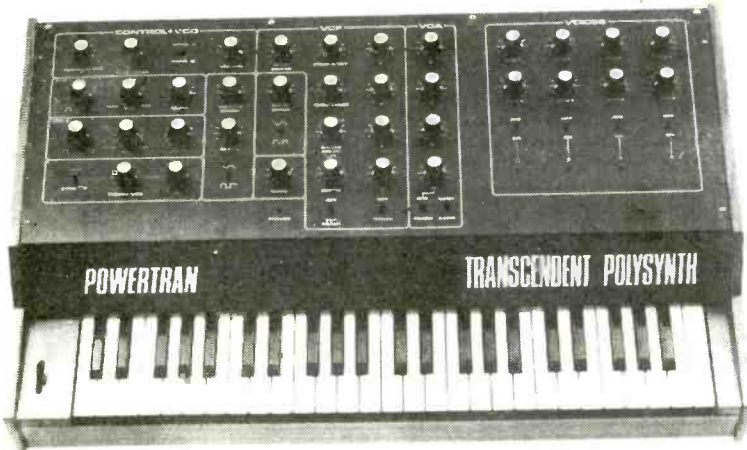


Cabinet size 24.6" x 15.7" x 4.8" (rear) 3.4" (front)

**COMPLETE KIT ONLY
£168.50 + VAT!**

NEW! TRANSCENDENT POLYSYNTH

**EXPANDABLE POLYPHONIC SYNTHESIZER
AS FEATURED IN ELECTRONICS TODAY
INTERNATIONAL**



Cabinet size 31.1" x 19.6" x 7.6" (rear) 3.4" (front)

By brilliant design work and the use of high technology components the Polysynth brings to the reach of the home constructor a machine whose versatility and range of sounds is matched only by ready-built equipment costing thousands of pounds. Designed by synthesizer expert Tim Orr and published in Electronics Today International, this latest addition to the famous Transcendent family is a 4 octave (transposable over 7 1/2 octaves) polyphonic synthesizer with internally up to 4 voices making it possible to play simultaneously up to 4 notes, whereas conventional synthesizers handle only one at a time.

The basic instrument is supplied with 1 voice and up to 3 more may be plugged in. A further 4 voices may be added by connecting to an expander unit, the metalwork and woodwork of which is designed for side-by-side matching with the main instrument. Each voice is a complete synthesizer in itself, with 2 VCOs, 2 ADSRs, a VCA and a VCF (requiring only control voltages and power supply, the voice boards are also very suitable for modular systems). One of these voices is automatically allocated to a key as it is operated. There are separate tuning controls for each VCO of each voice. All other controls are common to all the voices for ease of control and to ensure consistency between the voices.

Although using very advanced electronics the kit is mechanically very simple with minimal wiring, most of which is with ribbon cable connectors. All controls are PCB mounted and the voice boards fit with PCB mounted plugs and sockets. The kit includes fully finished metalwork, solid teak cabinet, professional quality components (resistors 2% metal oxide or metal film, 0.5% and 0.1% nuts, bolts, etc.)

**COMPLETE KIT ONLY £320
+ VAT (Single Voice)**
Extra voices, £52 + VAT or £48 + VAT if ordered with kit.

**EXPANDER, COMPLETE KIT £295
+ VAT**

TRANSCENDENT DPX

MULTI-VOICE SYNTHESIZER

Another superb design by
synthesizer expert Tim Orr
published in
Electronics Today International

**COMPLETE KIT
ONLY
£299 + VAT!**



Cabinet size 36.3" x 15.0" x 5.0" (rear) 3.3" (front)

The Transcendent DPX is a really versatile 5 octave keyboard instrument. There are two audio outputs which can be used simultaneously. On the first there is a beautiful harpsichord or reed sound—fully polyphonic—so you can play chords with as many notes as you like. On the second output there is a wide range of different voices—still fully polyphonic. It can be a straightforward piano as a honky-tonk piano or even a mixture of the two! Alternatively you can play strings over the whole range of the keyboard or brass over the whole range of the keyboard or should you prefer—strings on the top of the keyboard and brass as the lower end (the keyboard is electronically split after the first two octaves) or vice-versa or even a combination of strings and brass sounds simultaneously. And on all voices you can switch in circuitry to make the keyboard touch sensitive! The harder you press down a key the louder it sounds—just like an acoustic piano. The digitally controlled multiplexed system makes practical touch sensitivity with the complex dynamics law necessary for a high degree of realism. There is a master volume and tone control, a separate control for the brass sounds and also a vibrato circuit with variable depth control together with a variable delay control so that the vibrato comes in only after waiting a short time after the note is struck for even more realistic string sounds.

To add interest to the sounds and make them more natural there is a chorus/ensemble unit which is a complex phasing system using CCD (charge coupled device) analogue delay lines. The overall effect of this is similar to that of several acoustic instruments playing the same piece of music. The ensemble circuitry can be switched in with either strong or mild effects.

As the system is based on digital circuitry digital data can be easily taken to and from a computer (for storing and playing back accompaniments with or without pitch or key change, computer composing, etc. etc.)

Although the DPX is an advanced design using a very large amount of circuitry, much of it very sophisticated, the kit is mechanically extremely simple with excellent access to all the circuit boards which interconnect with multiway connectors, just four of which are removed to separate the keyboard circuitry and the panel circuitry from the main circuitry in the cabinet. The kit includes fully finished metalwork, solid teak cabinet, professional quality components (all resistors 2% metal oxide, nuts, bolts, etc., even a 13A plug!)

POWERTRAN

MANY MORE KITS AND ORDERING INFORMATION ON PAGE 97

All projects on this page can be purchased as separate packs, e.g. PCBs, components sets, hardware sets, etc. See our free catalogue for full details and prices.

Big 10% Discount

HITACHI SCOPES
BECKMAN L.C.D. dmm
 15Mhz s/trace **£189**
 15Mhz d/trace **£257**
 30Mhz d/trace **£350**
 3020 dmm **£105**

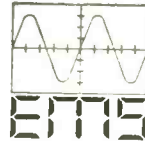
P & P
SCOPES £5.00
DMM £1.50
ALL PRICES EXCL. V.A.T.



Distribution

Yorkshire Bank Chambers,
 Market Place, Kirkbymoorside,
 York YO6 6AA. Tel: (0751) 32240

WW - 087 FOR FURTHER DETAILS



Electronic Measurement Services

REPAIR & CALIBRATION SPECIALISTS OF
 TEST & MEASURING INSTRUMENTS

- ★ Fast turn around time
- ★ High quality backed by warranty
- ★ Competitive rates
- ★ Certification if required
- ★ Nationwide collection and delivery service

Stockport Road, Longsight, Manchester
 M13 0LF

061-273 4653

WW No. 032

WW - 062 FOR FURTHER DETAILS



Model No.	ADV 030	ADV 025
Output Current	5 Amp	10 Amp
Output Volts	2.30 DC	0.25 DC
Input Volts	115-230-250 A/C	115-230-250 A/C
Tolerated Mains Variation	15%	15%
Ripple On Load	0.5%	0.5%
Load Regulation	0.5%	0.5%
Better Than Protection	Both Models: Internal short circuit Protected	Fold Back, Overload Thermal and
Guarantee	Both Models: 2 years	
Dimensions	Height: 130 M/M mm Width: 250 M/M mm Depth: 170 M/M mm	177 mm 335 mm including 294 mm handles

SOUTHERN ELECTRONICS

6 WESTCLIFF ARCADE, RAMSGATE, KENT TEL. THANET (0843) 57888

WW - 074 FOR FURTHER DETAILS

Cut costs and speed trouble shooting



with the

Huntron Tracker

This easy to use test instrument displays shorts, opens, and leakage in solid state components. Check diodes, unijunctions, bipolars, Darlingtons, J-FET's, MOS FET's, LED's, electrolytics and IC's... **IN CIRCUIT!**

Test pure digital or analogue hybrid boards... **WITHOUT CIRCUIT POWER!**

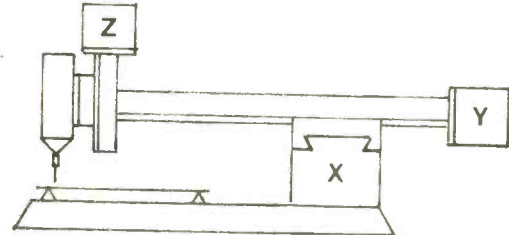
Current limited to protect delicate devices in the MOS-CMOS family.
 Save 20... 30... 40... even 50% of trouble shooting time and recover your investment fast! Exclusive 12 months warranty, available from -

MTL Microtesting Limited
 1-15 Butts Road, Alton, Hampshire
 Telephone: Alton (0420) 88022.



WW - 038 FOR FURTHER DETAILS

STEPPING MOTOR MACHINES MICRO-PROCESSOR CONTROLLED



We design and build automated machines including test-tube samplers, rotary or XY, label engraving machines, XYZ PCB drilling machines. We specialise in designing and building any prototype machines including mechanics, computer hardware and software to customer requirements.
 +4-axis stepping motor microprocessor interface PCBs from £18. XYZ machines from £875.

F. H. Precision Engineers

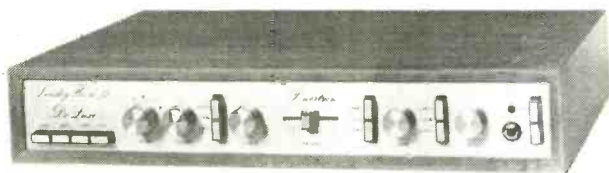
24 Belvoir Avenue, Trentham, Stoke-on-Trent ST4 8SY. Tel: 0782-643278

WW - 014 FOR FURTHER DETAILS

Britain's No.1 magazine for the radio enthusiast

From the June issue, Practical Wireless becomes an "all radio" magazine, covering all the techniques and applications of radio, including licensed amateur radio, short-wave listening, DX (long-distance) broadcast listening and viewing, radio control, etc., plus the latest developments on the CB scene.





**DE LUXE EASY TO BUILD LINSLEY HOOD
75W STEREO AMPLIFIER £85.00 + VAT**

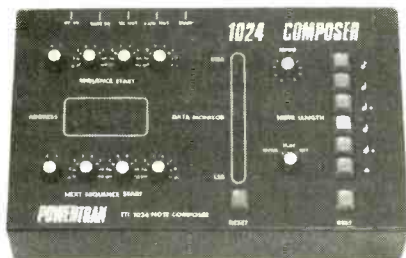
This easy to build version of our world-wide acclaimed 75W amplifier kit based upon circuit boards interconnected with gold plated contacts resulting in minimal wiring and construction delightfully straightforward. The design was published in Hi-Fi News and Record Review and features include rumble filter, variable scratch filter, versatile tone controls and tape monitoring while distortion is less than 0.01%.



T20 + 20 20W STEREO AMPLIFIER £33.10 + VAT

This kit, based upon a design published in Practical Wireless, uses a single printed circuit board and offers at very low cost ease of construction and all the normal facilities found on quality amplifiers. A 30 watt version of this kit (T30 + 30) is also available for £38.40 + VAT. **MATCHING TUNERS** - See our FREE CATALOGUE!

Above 2 kits are supplied with fully finished metalwork, ready assembled high quality teak veneer cabinet, cable, nuts, bolts, etc. and full instructions - in fact everything!



Cabinet size 13.3" x 8.0" x 3.8" (rear), 3.0" (front)

**1024 COMPOSER
READ ALL ABOUT IT!**

**COMPLETE KIT ONLY
£89.50 + VAT!**

**IN ELECTRONICS TODAY
INTERNATIONAL**

Programmed from a synthesizer, our latest design to be featured in ELECTRONICS TODAY INTERNATIONAL the 1024 COMPOSER controls the synth. with a sequence of up to 1024 notes or a large number of shorter sequences e.g. 64 of 16 notes all with programmable note length. In addition a rest or series of rests can be entered. It is mains powered but an automatically trickle charged Nickel-Cadmium battery supplying the memory, preserves the program after switch off! The kit includes fully finished metalwork, fibreglass PCB, controls, wire, etc. - Complete down to the last nut and bolt!

POWERTRAN

**BLACK HOLE
CHORALIZER**

The BLACK HOLE designed by Tim Orr, is a powerful new musical effects device for processing both natural and electronic instruments, offering genuine VIBRATO (pitch modulation) and a CHORUS mode which gives a "spacey" feel to the sound achieved by delaying the input signal and mixing it back with the original. Notches (HOLES), introduced in the frequency response, move up and down as the time delay is modulated by the chorus sweep generator. An optional double chorus mode allows exciting antiphase effect to be added. The device is floor standing with foot switch controls. LED effects selection indicators, has variable sensitivity, has high signal/noise ratio obtained by an audio compander and is mains powered - no batteries to change! Like all our kits everything is provided including a highly superior, rugged steel, beautifully finished enclosure.

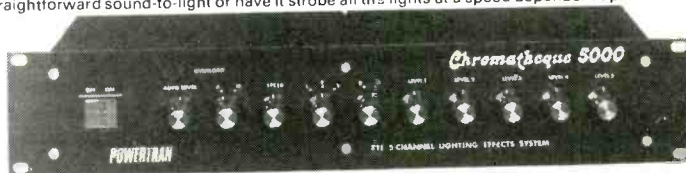


Cabinet size 10.0" x 8.5" x 2.5" (rear) 1.8" (front)

COMPLETE KIT ONLY £49.80 + VAT! (single delay line-system)
De Luxe version (dual delay line system) also available for **£59.80 + VAT**

CHROMATHEQUE 5000 5 CHANNEL LIGHTING EFFECTS SYSTEM

This versatile system featured as a constructional article in ELECTRONICS TODAY INTERNATIONAL has 5 frequency channels with individual level controls on each channel. Control of the lights is comprehensive to say the least. You can run the unit as a straightforward sound-to-light or have it strobe all the lights at a speed dependent upon music. Level or front panel control or use the internal digital circuitry which produces some superb random and sequencing effects. Each channel handles up to 500W and as the kit is a single board design wiring is minimal and construction very straightforward. Kit includes fully finished metalwork, fibreglass PCB controls, wire, etc. - Complete right down to the last nut and bolt!



COMPLETE KIT ONLY £49.50 + VAT!

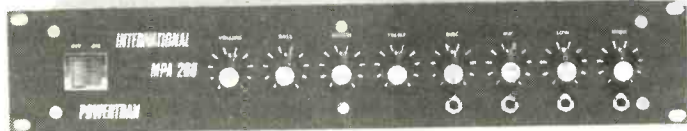
MPA 200 100 WATT (rms into 8Ω) MIXER / AMPLIFIER

Panel size 19.0" x 3.5". Depth 7.3"

Featured as a constructional article in ETI, the MPA 200 is an exceptionally low priced - but professionally finished - general purpose high power amplifier. It features adaptable input mixer which accepts a wider range of sources such as microphone, guitar, etc. There are wide range tone controls and a master volume control. Mechanically the MPA 200 is simplicity itself with minimal wiring needed making construction very straightforward. The kit includes fully finished metalwork, fibreglass PCBs, controls, wire, etc. - complete down to the last nut and bolt!

**MATCHES THE
CHROMATHEQUE 5000
PERFECTLY!**

**COMPLETE KIT
ONLY
£49.90 + VAT!**



All kits also available as separate packs (e.g. PCB, component sets, hardware sets, etc.) Prices in our FREE CATALOGUE.

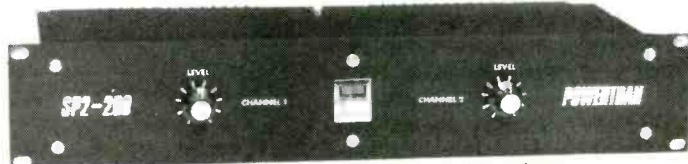
SP2-200 2-CHANNEL 100W AMPLIFIER — NEW KIT!

Panel size 19.0" x 3.5". Depth 7.3"

The power amplifier section of the MPA 200 has proved not only very economical but very rugged and reliable too. This new design uses two of these amplifier sections powered by separate power supplies fed from a common toroidal transformer. Input sensitivity is 775mV. Even simultaneously driven, each channel delivers over 100W rms into 8 ohms. The kit includes fully finished metalwork, fibreglass PCBs, controls, wire, etc. - complete down to the last nut and bolt!

COMPLETE KIT ONLY £64.90 + VAT!

Panel size 19.0" x 3.5". Depth 7.3"



**MANY MORE KITS ON NEXT PAGE!
OUR CATALOGUE IS FREE! WRITE OR PHONE NOW!**

POWERTRAN ELECTRONICS
PORTWAY INDUSTRIAL ESTATE ANDOVER
ANDOVER HANTS SP10 3MM (0264) 64455

Value Added Tax not included in prices

PRICE STABILITY: Order with confidence! Irrespective of any price changes we will honour all prices in this advertisement until June 30th, 1981, if this month's advertisement is mentioned with your order. Errors and VAT rate change excluded.
EXPORT ORDERS: No VAT. Postage charged at actual cost plus £1 handling and postal documentation.
U.K. ORDERS: Subject to 15% surcharge for VAT. NO charge is made for carriage.
SECURICOR DELIVERY: For this optional service (U.K. mainland only) add £2.50 (VAT inclusive) per kit.
SALES COUNTER: If you prefer to collect your kit from the factory. Call at Sales Counter. Open 9 a.m.-12 noon, 1-4.30 p.m. Monday-Thursday.

RHODE & SCHWARZ

Selective UHF V/Meter. Bands 4 & 5 USVF
 Selectomat Voltmeter USWV £450.
 UHF Sig. Gen. type SDR 0.3-1GHz £750.
 UHF Signal Generator SCH £175.
 XUD Decade Synthesizer & Exciter.
 POLYSKOPS SWOB I and II.
 Modulator/Demodulator BN17950/2.
 UHF Sig. Gen. type SCR. 1-1.9GHz.

MARCONI

TF995B/2 AM/FM Signal Generator.
 TF2500 Audio power meter
 TF1101 RC oscillators £65.
 6551 SAUNDERS. 1400-1700MHz. FM.
 TF1066B/1. 10-470MHz. AM/FM.
 TF1152A/1. Power meter. 25W. 500MHz
 £50.
 TF1370A RC Oscillator £135.
 TF791D Carrier Deviation Meter.

U.H.F. SIGNAL GENERATORS

TF1066B/2 400-555MHz. Deviation to 300KHz.
 TF1050/2 450-1250MHz.
 TF1058 1.6-4000MHz.

BECKMAN TURNS COUNTER DIALS

Miniature type (22mm diam.). Counting up to 15 turn "Helipot". Brand new with mounting instructions. Only £2.50 each.

PRINTED CIRCUIT MOTORS

'Printed Motors Ltd' type G16M4. 60V DC. 5.5 amps. Continuous torque 140oz. in. 2350 rpm Diameter 7.5". Depth 2.5". Shaft diam. 1/2" & 3/4". Price from Printed Motors is now over £150 ea. Supplied in good, used condition, tested & guaranteed £25 each (postage £3).

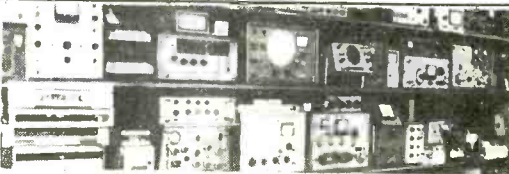
AUDIO & RF SIGNAL GENERATORS

ADVANCE types H1, H1E, C2, SG62B, J4A.
 TAYLOR 62A (AM/FM). AVO HF134.
 AIRMEC 352 Sweep Generator.
 MARCONI TF1066B/1 (AM/FM 10-470MHz).

LABORATORY OVENS. — Gallenkamp 3 cu. ft. £145. Also Morgan Grundy 1 cu. ft. £55.
20-WAY JACK SOCKET STRIPS. 3 pole type with two normally closed contacts £2.50 each (+ 25p pp). Type 316 three pole plugs for above — 20p ea. (pp free).

P. F. RALFE ELECTRONICS

10 CHAPEL STREET, LONDON, NW1
 TEL: 01-723 8753



RANK KALEE 1742 Wow & Flutter Meter.
 AIRMEC 314A Voltmeter. 300mV (FSD)-300V.
 AIRMEC Wave Analysers types 853 & 248A.
 DERRITRON 1KW Power Amplifier with control equipment for vibration testing, etc.
 HEWLETT-PACKARD 8551B/851B Spectrum Analyser. 10MHz-40GHz.
 HEWLETT-PACKARD tuned amp & null detector.
 HEWLETT-PACKARD 331A Distortion Meter
 RADIOMETER Distortion Meter BKF6 £125.

LABGEAR T V PATTERN GENERATORS 625-line cross-hatch/dot/grey scale £45 (£1 post).
 RANK SIGNAL STRENGTH METERS UHF Channels 20-60. Battery operated £30 (£1 post).

TELEVISION TEST EQUIPMENT

TEXSCAN VS-60B Sweep Generator. 0-1000MHz £250.
 TEXSCAN DU-88 X-Y Display units £95.
 TELONIC 2003 Sweep Generator System £225.
 TELONIC 101 X-Y Display units £75.
 TELONIC 1204 Sweepers 0-500MHz £150.
 TELONIC 121 X-Y Display units £95.

OSCILLOSCOPE SALE

ADVANCE OS250. Dual Beam 10MHz £185
 HEWLETT-PACKARD 1707A. 75MHz £450.
 TELEQUIPMENT D75
 TELEQUIPMENT DM64 Storage scope.
 DYNAMCO D7100.
 HEWLETT-PACKARD 122A SB. Audio.
 AIRMEC 279. 4 Beam Display Scope.
 TEKTRONIX 581A. 545A & B, 544, 661. 515A.

NOTICE. All the pre-owned equipment shown has been carefully tested in our workshop and reconditioned where necessary. It is sold in first-class operational condition and most items carry our three months' guarantee. Calibration and certificates can be arranged at cost. Overseas enquiries welcome. PLEASE ADD 15% VAT TO ALL PRICES

DC POWER SUPPLIES

★APT 10459/8, 12-14V @ 5 Amps £25 (£2 p.p.)
 ★APT 10459/8, 24V @ 5 Amps £25 (£2 p.p.)
 ★We can supply the above power supply at any fixed voltage between 5V and 36V at 5A £25.
 ★Mullard Dual supplies. Brand new with handbook. Pos & Neg 12V at 1A and 0.4A respectively. Dimensions 9x4x5ins. £10 + (£1 p.p.)
 ★FARNELL Current limited. Dimensions 7x5x4ins. Following types available: 13-17 Volts @ 2A £15.
 27-32 Volts @ 1A 5V £15. 5V @ 3A £15. (pp £1.50).

SPECIAL PURCHASE LAMBDA POWER SUPPLIES

Excellent LXS Series DC power units at less than a tenth of new price. The snag? — they're all 110V AC Input. Prices as follows:
 5V at 24A. LXS D5 OV R. £25. (List £350).
 15V at 12A. LXS D15 R. £20. (£339).
 5V at 14A. LXS CC 5 OV. £20. (£258).
 24V at 3.1A. LCS C 24. £15. (£223).
 Carriage each £2.50 extra

MODULATION METERS

AIRMEC 210 3-300MHz. AM/FM. £125
 RADIOMETER AFM/1 3.5-320MHz. AM/FM. £145
 RACAL 409 3-600MHz. AM/FM.

ROTRON INSTRUMENT COOLING FANS

Supplied in excellent condition, fully tested:
 115V. 4.5 x 4.5 x 1.5" £4.50. 230V
 £5. 115V. 3 x 3 x 1.5" £4 + postage ea. 35p.

CT212 RF Signal Generators. 85KHz-32MHz £55.

BELL & HOWELL MICROFICHE VIEWERS

Type SR5. Screen size 9 x 5". New condition £75.

DIGITAL MULTI-METERS

DE FOREST ELECTRONICS TYPE MM200. DC V 0-1KV. AC V 0-700. DC I 0-1A. AC I 0-1A. Each in 4 ranges. Resistance 0-19.99 Mohms. 5 ranges. LED Display 1999.
 BRAND NEW. SPECIAL REDUCED PRICE OF £39, INCLUDING VAT & P.P.

CLEF ELECTRONIC MUSIC

PIANOS

SPECIALISTS SINCE 1972
 DOMESTIC & STAGE TYPES
 KITS OR MANUFACTURED



The most advanced form of Touch Sensitive action simulating piano key inertia by patented technique.
 Four mixable voices for serious tone variation plus electronic chorus and flanger effects. See lists for Cabinets, P.A. and Manufacture.

SIX OCTAVES £207
 7 1/4 OCTAVES £232

Component Kits

£79
 KIT



£114
 Built

MASTER RHYTHM

User Programmable. Twenty-four patterns. Eight parallel tracks. Twelve instruments sequence operation.

Write or Phone for full details of our range of high quality Kit and manufactured Electronic Musical Instruments. Prices include V.A.T., Carr. & Ins. and we operate Telephone BARCLAYCARD. Visit our Showroom.

CLEF PRODUCTS (ELECTRONICS) LIMITED

Dept. W, 44a Bramhall Lane South
 Bramhall, Stockport, Cheshire SK7 1AH
 061-439 3297

WW-041 FOR FURTHER DETAILS

Wirewound Ceramic Resistors

Axial or vertical mounting
 5w-17w OR5-39K
 from £9.35
 per 100

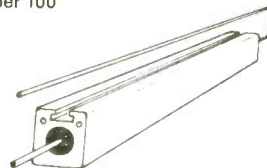


QUICK ACTING
 & ANTI SURGE
 CARTRIDGE FUSES

from £3.15 per 100.
 100 off at 1000 off price during
 MAY, 1981.

Carbon Film Resistors 1/4w 5%
 £2.50 per 1,000, per value, carriage and VAT extra.
 6R8 33R 100R 120R 360R 470R
 560R 2K4 2K7 4K7 5K6 7K5 8K2
 100K 120K 150K 220K 300K 390K
 820K.

Lists available of other wattages and values on special offer.



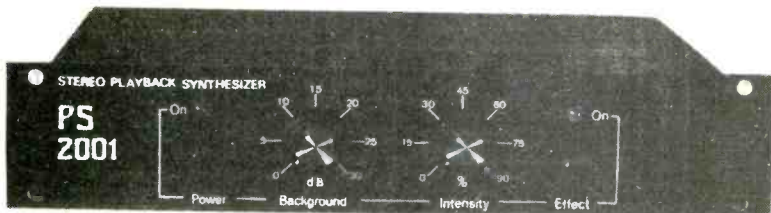
Cable Sleeves and Markers from £1.38 per 1,000.
 Crimp Terminals from £9.60 per 1,000.
 Audible Warning Devices. Buzztone, Bleeptone, Banshee, Bedlam, etc. from £1.14 each.
 Self-adhesive Pcb guides from £5.04 per 100.

PBRA LTD.

Golden Green, Tonbridge
 Kent TN11 0LH
 Hopfield (073274) 345
 Member Crystalate Group

WW-045 FOR FURTHER DETAILS

STEREO PLAYBACK SYNTHESIZER PS 2001 (Europat. Pend.)



We are German manufacturers and exporters of electronic goods and look for a reliable distributor in U.K. of this product. This item is produced also by us and pat. pend. in U.K.

Features:

- ★ Playbacks from all stereo equipment (tuner, cassette decks, magnet-cartridge turntable, etc.)
- ★ Excellent sound of your playbacks because of the most modern integrated circuits
- ★ Separate knobs for "intensity" and low frequencies added (background)
- ★ Can be used for Discos, Musicians and Amateur singers (singer's competition) and also for studios in order to buy expensive playbacks.
- ★ Fantastic price and full guarantee.
- ★ 220/110V.

For further information write to

BRUENS ELECTRONIC
 POB 7123, D-5030 Huerth-7, West Germany
 Telephone: 0049-2233/33872, 0049-2235/42211
 Telex: West Germany 888 18 99 digo d

WW-040 FOR FURTHER DETAILS

HAMEG

OSCILLOSCOPES

Top Performance
In Every Range



HM 307

HM 307 £138
Y: Bandwidth DC-10MHz (-3dB) • Sensitivity 5mV-20V/cm (±5%)
X: Timebase 0.2s-0.2µs/cm (±3%) • Triggering 2Hz-30MHz (3mm)
Built-in component tester • Calibrator • Screen 8x1cm • 1kV

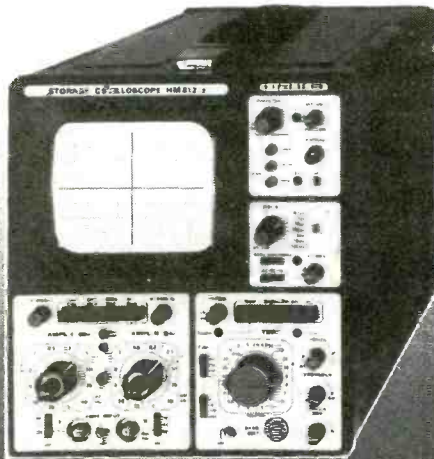
HM 312 £220
Y: Bandwidth DC-20MHz (-3dB) • Sensitivity 5mV-20V/cm (±3%)
X: Timebase 0.2s-40ns/cm incl. x6 Magn. • Trig. 3Hz-30MHz (4mm)
Dual trace • X-Y Operation • Calibrator • Screen 8x10cm • 2kV

HM 412 £350
Y: Bandwidth DC-20MHz (-3dB) • Sensitivity 2mV-20V/cm (±3%)
X: Timebase 2s-40ns/cm incl. x5 Magn. • Trig. DC-40MHz (5mm)
Dual trace • Algebr. addition • X-Y Operation • Screen 8x10cm
Sweep delay • Overscan, Trigger, Delay indications • Trigger filter
Z-Modulation • Calibrator • Graticule illumination • 2kV

HM 512 £580
Y: Bandwidth DC-50MHz (-3dB) • Sensitivity 5mV-50V/cm (±3%)
X: Timebase 5s-20ns/cm incl. x5 Magn. • Trig. DC-70MHz (5mm)
Dual trace • Algebr. addition • X-Y Operation • Screen 8x10cm
Delay line • Sweep delay • After delay triggering • Trigger filter
Single shot + Reset • Overscan, Trigger, Ready, Delay indications
var. Hold-off • Z-Modulation • Graticule illumination • 12kV

HM 812 £1,458
Y: Bandwidth DC-50MHz (-3dB) • Sensitivity 5mV-50V/div. (±3%)
X: Timebase 5s-20ns/div. incl. x5 Magn. • Trig. DC-70MHz (0.5div.)
Dual trace analog storage with var. Persistence and Auto-Storage
Algebr. addition • X-Y Operation • Screen 8x10div. (7.2x9cm)
Delay line • Sweep delay • After delay triggering • Trigger filter
Single shot • Overscan, Trigger, Ready, Delay, AS indications
var. Hold-off • Z-Modulation • X-Guard circuit • Calibrator • 8.5kV

HM 812
Storage



For more information
contact

Prices U. K.
List Ex. VAT

HAMEG LTD 74-78 Colindale Street LUTON
Bedfordshire LU1 1RX Telephone (052) 413174 Telex 825484

WW - 066 FOR FURTHER DETAILS

TRANSFORMERS

CONTINUOUS RATINGS

Please add 15%
VAT after P&P

MAINS ISOLATORS

Pri 0-120, 0-100, 120V (120, 220, 240V) Sec 60, 55-0-55 60 twice to give 55, 60, 110, 115, 120, 125, 175, 180, 220, 225, 230, 235, 240

Ref. VA	(Watts)	£	P&P
07*	20	4.84	1.20
149	60	7.37	1.20
150	100	8.38	1.44
151	200	12.28	1.72
152	250	14.61	2.04
153	350	18.07	2.12
154	500	22.52	2.20
155	750	32.03	OA
156	1000	40.92	OA
157	1500	56.52	OA
158	2000	67.99	OA
159	3000	95.33	OA

*115 or 240v sec only. State volts required. Pri. 0.220-240V.

50 VOLT RANGE (Split Sec.)

Pri 220-240V. Voltages available 5, 7, 8, 10, 13, 15, 17, 20, 25, 30, 33, 40 or 20V-0-20V and 25V-0-25V

Ref.	Amps		£	P&P
	50v	25v		
102	5	1	3.75	1.20
103	1	2	4.57	1.20
104	2	4	7.88	1.44
105	3	6	9.42	1.60
106	4	8	12.82	1.72
107	6	12	16.37	1.84
118	8	16	22.29	2.20
119	10	20	27.48	OA
109	12	24	32.89	OA

60 VOLT RANGE

Pri 220-240V (Split Sec.)
Voltages available 6, 8, 10, 12, 16, 18, 20, 24, 30, 36, 40, 48, 60V or 24V-0-24V and 30V-0-30V

Ref.	Amps		£	P&P
	60v	30v		
124	5	1	4.27	1.20
126	1	2	6.50	1.20
127	2	4	8.36	1.60
125	3	6	12.10	1.72
123	4	8	13.77	1.96
40	5	10	17.42	1.84
120	6	12	19.87	2.04
121	8	16	27.92	OA
122	10	20	32.51	OA
189	12	24	37.47	OA

HIGH VOLTAGE

MAINS ISOLATING

Pri 200/220 or 400/440

Sec 100/120 or 200/240

VA	Ref.	£	P&P
60	243	7.37	1.20
250	246	4.61	2.04
350	247	18.07	2.04
500	248	22.52	OA
1000	250	45.94	OA

CASED AUTOS

240V cable input USA 115V Flat pin outlets

VA	P&P	Ref.	50w
20	£6.55	95	64W
75	£8.50	120	4W
150	£11.00	144	65W
200	£12.02	144	69W
250	£13.38	144	67W
500	£20.13	204	84W
1000	£30.67	220	95W
2000	£54.87	OA	

MINIATURE TRANSFORMER

015V CT (7 5-0-7.5V)

Ref.	Amp	Price	P&P
171	500mA	2.30	52
172	1A	3.26	90
173	2A	3.95	90
174	3A	4.13	99
175	4A	6.30	110

12 or 24-VOLT

Separate 12V windings Pri 220-240V

Ref.	12v	24v	£	P&P
111	0.5	0.25	2.42	.95
213	1.0	0.5	2.90	1.00
71	2.0	1.0	3.86	1.00
18	4.0	2.0	4.46	1.20
85	5.0	2.5	6.16	1.20
70	6.0	3.0	6.99	1.20
108	8.0	4.0	8.16	1.44
72	10.0	5.0	8.93	1.60
116	12.0	6.0	9.89	1.60
17	16.0	8.0	11.79	1.72
115	20.0	10.0	15.87	1.84
187	30.0	15.0	19.72	2.04
226	60.0	30.0	40.41	OA

30 VOLT RANGE (Split Sec)

Pri 220-240V Voltages available 3, 4, 5, 6, 8, 9, 10, 12, 15, 18, 20, 24, 30V or 12V-0-12V and 15V-0-15V

Ref.	Amps		£	P&P
	30v	15v		
112	5	1	2.90	1.00
79	1	2	3.93	1.00
3	2	4	6.35	1.20
20	3	6	7.39	1.44
21	4	8	8.79	1.60
51	5	10	10.86	1.60
117	6	12	12.29	1.72
88	8	16	16.45	1.96
89	10	20	18.98	1.84
90	12	24	21.09	OA
91	15	30	24.18	OA
92	20	40	32.40	OA

SCREENED MINIATURES Pri 240V

Ref.	mA	Volts	£	P&P
238	200	3-0-3	2.83	50
212	1A 1A	0.6-0-6	3.14	1.00
13	10A	9-0-9	2.35	50
235	330, 330	0-9-0-9	2.19	60
207	500, 500	0.8-9-0-8-9	3.05	95
208	1A 1A	0.8-9-0-8-9	3.88	1.20
236	200, 200	0-15-0-15	2.19	60
239	50MA	12-0-12	2.88	50
214	300, 300	0-20-0-20	3.08	1.00
221	700 (DC)	20-12-0-12-20	3.75	1.00
206	1A 1A	0-15-20-0-15-20	5.09	1.20
203	500, 500	0-15-27-0-15-27	4.39	1.20
204	1A 1A	0-15-27-0-15-27	6.64	1.20

AUTO TRANSFORMERS

Voltages available 105, 115, 190, 200, 210, 220

230, 240 Voltages for step up or step down

Ref.	VA (Watts)	TAPS	£	P&P
113	15	0-115-210-240V	2.17	1.00
64	80	0-115-210-240V	4.41	1.20
4	150	0-115-200-220-240V	5.89	1.20
67	500		12.09	1.84
84	1000		20.64	2.20
93	1500		25.61	OA
95	2000		38.31	OA
73	3000		65.13	OA
80s	4000	0-10-115-200-220-240	84.55	OA
57s	5000		98.45	OA

*0, 115, 220, 240 Step Up or Step Down

NEW RANGE TRANSFORMERS

Pri 0-120, 0-100-120, (120V or 220-240V) Sec. 0.36-48 twice to give 72V or 92V.

2A	£13.35	PP	£1.22	4A	£20.65	PP	£2.04
3A	£16.17	PP	£1.96	5A	£29.30	PP	£2.20

BE7 0-110-120-220-240V Sec 20V 1 Amp £1.80.
P&P 32p + VAT.

SPLIT BOBBIN TRANSFORMER

Pri 0-115, 0-115 (Ref 70010), Sec. 0-12-15-20-24-30. To give 3, 4, 5, 6, 8, 10, 12, 15, 18, 20, 24, 30, 2 Amps. £4.65 P&P £1.10 - VAT.

End of line offers - M679 120V-2, 36V 1 6A £3 pp 78p - VAT.
M865 100V line to 411 10 watt £1.90 pp 60p - VAT
M1126 120/240V 9-0-9 1A £1.79 pp 71p - VAT
M616 240V Scr(1) 13-0-13 1A (2) 12V 150ma £1.50 pp 66p - VAT

OTHER PRODUCTS

AVO TEST METERS

Latest Model 8 Mk. 5	£106.40
71 Electronics	£43.10
73 TV Service	£58.60
MMS MINOR	£36.90
WEE MEGGER	£87.00
DA211 LCD Digital	47.00
DA212 LCD Digital	£67.00
DA116 LCD Digital	£108.90
Megger 70143 500v	87.00
Avo Cases and Accessories	
P&P £1.32 VAT 15%	

BRIDGE RECTIFIERS

200v	2A	45p
400v	1A	25p
400v	2A	55p
100v	25A+	£2.10
200v	4A	65p
400v	4A	85p
400v	6A	£1.40
500v	12A	£2.85
P&P 20p VAT 15%		

TOOLS

Mains Neon testers screwdrivers	61p	20p
Long-nosed pliers	£2.17	35p
Precision screwdriver sets (6 per set)		
	£2.17	£1.93

ANTEX SOLDERING IRONS 15W £4.58. 25W £4.58
Stand for above £1.75. P&P 53p. VAT 15%

PANEL METERS

43mm x 43mm	82mm x 78mm		
0-50µA	£6.20	0-50µA	£6.70
0-500µA	£6.70	0-500µA	£6.70
0-1mA	£6.70	0-1mA	£6.70
0-30V	£6.70	0-30V	£6.70
VU Panel Ind	48 x 45mm, .250µA FDS		£2.60
Carriage	76p VAT 15%		

U4315 Budget Meter 20KΩ V Ranges to 1000V
2 5A AC. DC 500KΩ! Res in steel case £15.85.
P&P £1.32 VAT 15%

METAL OXIDE RESISTORS £1/100

Special Offer 5% ¼W Use instead of carbon film
in 100s only) TR4 Electro!!
390Ω-470!! 510!! 560!! 820!! 1K 1K1
1K2 1K6 1K8 2K 2K4 3K 16K 20K 22K
24K 47K 82K 100K 130K 180K 220K
270K 300K P&P 30p + VAT

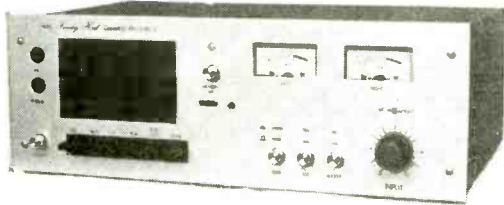
Send 15p for catalogue
Prices correct at 20/2/81

Barrie Electronics Ltd.
3, THE MINORIES, LONDON EC3N 1BJ
TELEPHONE: 01-488 3316/8
NEAREST TUBE STATIONS: ALDGATE & LIVERPOOL ST.

WW - 84 FOR FURTHER DETAILS

HART ELECTRONIC

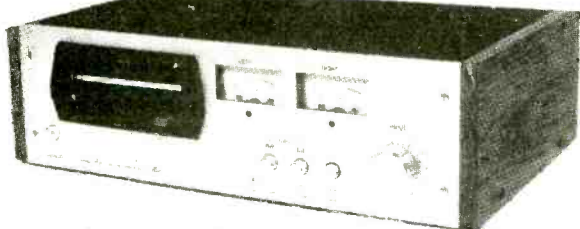
LINSLEY HOOD CASSETTE RECORDER 2



Our new improved performance model of the Linsley Hood Cassette Recorder incorporates our VFL 910 vertical front mechanism and circuit modifications to increase dynamic range. Board layouts have been altered and improved but retain the outstandingly successful mother-and-daughter arrangement used on our Linsley-Hood Cassette Recorder 1.

This latest version has the following extra features. Ultra low wow-and-flutter of .09% easily meets DIN Hi-Fi spec. Deck controls latch in rewind modes and do not have to be held. Full Auto-stop on all modes. Tape counter with memory rewind. Oil damped cassette door. Latching record button for level setting. Dual concentric input level controls. Phone output. Microphone input facility if required. Record interlock prevents rerecording on valued cassettes. Frequency generating feedback servo drive motor with built-in speed control for thermal stability. All these desirable and useful features added to the excellent design of the Linsley-Hood circuits and the quality of the components used makes this new kit comparable with built-up units of much higher cost than the modest, £94.90 + V.A.T. we ask for the complete kit.

LINSLEY-HOOD CASSETTE RECORDER 1



We are the Designer Approved suppliers of kits for this excellent design. The Author's reputation tells all you need to know about the circuitry and Hart expertise and experience guarantees the engineering design of the kit. Advanced features include: High-quality separate VU meters with excellent ballistics. Controls, switches and sockets mounted on PCB to eliminate difficult wiring. Proper moulded escutcheon for cassette aperture improves appearance and removes the need for the cassette transport to be set back behind a narrow finger trapping slot. Easy to use, robust Lenco mechanism. Switched bias and equalisation for different tape formulations. All wiring is terminated with plugs and sockets for easy assembly and test. Sophisticated modular PCB system gives a spacious, easily-built and tested layout. All these features added to the high-quality metalwork make this a most satisfying kit to build. Also included at no extra cost is our new HS15 Sendust Alloy record/play head, available separately at £7.60 plus V.A.T. but REPRINTS of the 3 articles describing this design 45p. No V.A.T.

REPRINT of Postscript article 30p. No V.A.T.

Part Cost of Post, Packing and Insurance

Order up to £10 - 50p
Orders £10 to £49 - £1
Over £50 - £1.50

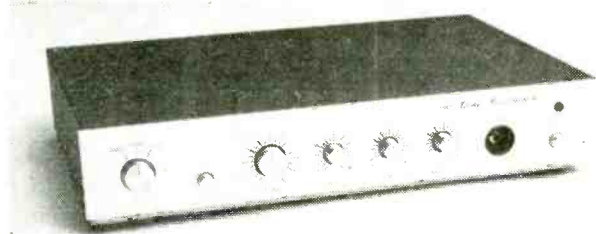
P&P Export Orders Postage or shipping at cost plus
£2 Documentation and Handling

Please send 9 x 4 S.A.E. or telephone for lists giving fuller details and price breakdowns.

Instant easy ordering, telephone your requirements and credit card number to us on
Oswestry (0691) 2894



LINSLEY-HOOD 300 SERIES AMPLIFIERS



These latest designs from the drawing board of John Linsley-Hood, engineered to the very highest standard, represent the very best that is available on the kit market today. The delicacy and transparency of the tone quality enable these amplifiers to outperform, on a side-by-side comparison, the bulk of amplifiers in the commercial market-place and even exceed the high standard set by his earlier 75-watt design.

Three versions are offered, a 30 watt with Darlington output transistors, and a 35- and 45-watt, both with Mosfet output devices. All are of identical outside appearance which is designed to match and stack with our Linsley-Hood cassette recorder 2.

As with all Hart kits the constructors interests have been looked after in a unique way by reducing the conventional (and boring) wiring almost to the point of extinction.

Any of these kits represents a most cost-effective route to the very highest sound quality with the extra bonus of the enjoyment of building a sophisticated piece of equipment.

30-watt Darlington amplifier, fully integrated with tone controls and magnetic pick-up facility. Total cost of all parts is £81.12. Special offer price for complete kits £72.

35-watt Mosfet amplifier. Total cost of parts £98.41. Special offer for complete kits, £87.40.

45-watt Mosfet amplifier. Total cost of parts £104.95. Special offer price for complete kits £94.80.

Reprints of original Articles from Hi-Fi News 50p. Post free. No VAT.

Reprints of MOSFET article 25p. No V.A.T. Post free.

PRACTICAL WIRELESS WINTON MOSFET AMPLIFIER

We are pleased to announce that we are now the suppliers of designer-approved kits for this excellent amplifier which was recently the subject of a glowing review by Gordon King. A 50w per channel rating gives you ample power for most requirements and the ultra low distortion and stability is not affected by the most difficult loudspeakers you can hang on the output. You will shortly be able to buy from us a matching tuner kit, also designed by Ted Rule of Armstrong fame, offering the most comprehensive range of facilities for which you could wish. Further details of both units are in our free lists. Just write or telephone for your copy. Reprints of original articles from "Practical Wireless" 85p. VAT and post free.

HART TRIPLE-PURPOSE TEST CASSETTE TC1

One inexpensive test cassette enables you to set up VU level, head azimuth and tape speed. Invaluable when fitting new heads. Only £2.70 plus V.A.T. and 50p postage.

MICROPHONE AMP FOR LHCR 2

A completely self-contained and screened stereo microphone amplifier is now available for the Linsley-Hood cassette recorder 2 deck.

This useful unit may, of course, be used for any application requiring a low-noise high-quality microphone input. Gain may be independently set on both channels to suit many different types of transducer. Input is by stereo jack socket. Complete kit of parts only £8.70 plus V.A.T. and post.

LINSLEY-HOOD PEAK DRIVE INDICATOR. A very useful device, connected to loudspeakers giving a 4-digit readouts of peak power delivered for the protection of both the loudspeaker and the perceived quality of sound. Gives instant indication even for peaks of only 5 microseconds duration. Unit uses CMOS technology, is self-contained and battery powered. Complete kit except batteries, only £17.40 plus V.A.T.

Reprint of Article 250. No V.A.T. Post free.

CASSETTE HEADS

HS16 SENDUST ALLOY SUPER HEAD Stereo R/P. Longer life than Permalloy. Higher output than Ferrite. Fantastic frequency response. Complete with data.	£8.20
HC20 Stereo Permalloy R/P head for replacement uses in car players, etc.	£4.25
F-M90 Stereo R/P head for METAL tape. Complete with data.	£7.20
F-561 Special Erase Head for METAL tape	£4.90
F-524 Standard Ferrite Erase Head.	£1.50
4-Track R/P Head, Standard Mounting	£7.40
R484 2/2 (Double Mono) R/P Head. Std. Mtg.	£4.90
ME151 2/2 Ferrite Erase. Large Mtg.	£4.25
CCE/8M 2/2 Erase. Std. Mtg.	£7.90

All prices plus VAT

STABILIZER: FREQUENCY SHIFTERS



The Stabilizer is a versatile frequency shifter for howl reduction on both speech and music. It offers variable shifts either up or down between 1 and 10 Hertz, so allowing choice of the optimum shift for the particular acoustics and sound sources involved in each installation.

A shifter not only allows more usable gain (4-8dB) but also gives a greater stability margin between the onset of ringing and actual howling. With a shifter this is something between 3 and 5 dB whereas a conventional system will go from ringing to howling with a gain increase of 1 or 2 dB.

Available as a boxed unit with either balanced or unbalanced signal lines or rack mounting version offering studio quality 'SHIFT' control, duplicated jack and XLR connectors and a smart anodised finish with engraved front panel. Stabilizers include a signal overload LED, a 24 Hz high pass filter to remove VLF signals before connection to power amplifiers and a mu-metal shrouded mains transformer to achieve low noise levels.

Stereo Disc Amplifier 2 and 3 • Moving Coil Pre-amplifier • PPM2 and PPM3 Drive Circuits and Ernest Turner Movements • Illuminated PPM Boxes • Stabilizer • Frequency Shift Circuit Boards • Chart Recorders • Peak Deviation Meter • Stereo R.F. Clipper.

+5Hz Fixed Shift Circuit Boards as WW July 1973 article, but improved noise level, lower distortion, adjustment free oscillator and IC sockets: Mark 4. Small enough to be built inside the cabinets of many amplifiers.

Complete kit and board £38 including PSU & mains transformer. Board built and aligned £45. DESIGNER APPROVED

CASH WITH ORDER less 5%
UK POST FREE ADD VAT 15%

*** EXHIBITING AT APRS STAND 31, JUNE 10-12th ***

SURREY ELECTRONICS

The Forge, Lucks Green, Cranleigh, Surrey GU6 7BG. Tel. 04866 5997

PURE GOLD!

Top-quality, low-profile, gold-plated contacts,

IC SOCKETS

8 pin	8p
14 pin	14p
16 pin	16p
18 pin	18p
20 pin	20p
22 pin	22p
24 pin	24p
28 pin	28p
40 pin	40p



Unbeatable value!

Minimum Order £10. Add £1 P.&P.

500 + and one type less 5%. 1,000 + any mix less 10%.

Special offer 10 x 8 pin, 20 x 14 pin, 20 x 16 pin. 5 x all others £11.50

ORION

Orion Scientific Products Ltd., 10 Wardour St., London, W.1

U.K. RETURN OF POST MAIL ORDER SERVICE, ALSO WORLDWIDE EXPORT SERVICE

BSR DE LUXE AUTOCHANGER

Plays 12", 10" or 7" records. Auto or Manual. A high quality unit backed by BSR reliability. Stereo Ceramic Cartridge. AC 200/250V. Size 13 1/2 x 11 1/4. 3 speeds. Above motor board 3 1/4 in. Below motor board 2 1/2 in. with Ceramic Stereo cartridge.



Ready cut Mounting Board £1

£20 Post £2

HEAVY METAL PLINTHS

Cut out for most BSR or Garrard decks. Silver grey finish with tinted plastic cover. Size 16 x 14 x 6 in.

Post £2

£10.50

WOOD PLINTH, TEAK EFFECT

Cut for B.S.R.

£4

PIONEER and J.V.C. TEAK VENEERED PLINTH

19x 14 1/2 in. with Plastic Cover

Post £1.50

£10.50

Post £2

TINTED PLASTIC COVERS

Sizes: 14 1/2 x 12 1/2 x 3 in. £4. 18 x 12 1/2 x 3 in. £6. 18 x 13 1/4 x 4 in. £6. 17 1/4 x 9 1/2 x 3 1/2 in. £3.

Post £1.50

BSR SINGLE PLAYER DECKS

BSR P200 2 speeds flared aluminium turntable S" shape arm, cueing device.

£30

Less cartridge Post £2

Ready cut mounting board Only £1 extra



BSR P172 RIM DRIVE QUALITY DECK

Manual or automatic play. Three speeds. Precision ultra slim arm. Cueing device. Bargain price

£20 Post £2

With stereo ceramic cartridge

BSR P207 BUDGET SINGLE PLAYER ideal for disco or small two-speed Hi-Fi system with stereo cartridge and cueing device.

£17 Post £2

GARRARD 6-200 SINGLE PLAYER DECK

Brushed Aluminium Arm with stereo ceramic cartridge and Diamond Stylus. 3-speeds. Manual and Auto Stop/Start. Large Metal Turntable. Cueing Device and Pause Control. Ready cut mounting board £1 extra.

£22 Post £2

ELAC HI-FI SPEAKER 10in. TWIN CONE

Large ceramic magnet. 50-16,000 c/s. bass resonance 40 c/s. 8 or 16 ohm impedance.

10 watts. RMS. £7.95 Post 99p



POTENTIOMETERS Carbon Track

5K Ω to 2M Ω . LOG or LIN. L/S 50p. DP 90p. Stereo L/S £1.10. DP £1.30. Edge Pot 5K. SP 45p. Sliders Mono 65p. Stereo 85p.

EMI 13 1/2 x 8in. LOUDSPEAKERS

With tweeter and crossover, 10 watt. 8 ohm. 15 watts. 3 or 8 ohm.

£9.95 Post 99p

£10.95 Post 99p

Bass woofer, EMI 15 ohm. 20 watt

£10.95 Post 99p

SUITABLE BOOKSHELF CABINET £10.50. Post £2 50

THE "INSTANT" BULK TAPE ERASER

Suitable for cassettes, and all sizes of tape reels. AC mains 200/250V. Hand held size with switch and lead.

£8

Will also demagnetise small tools

Head Demagnetiser only £5 Post 95p

RELAYS. 12V DC £1.25p. 6V DC 85p. **BLANK ALUMINIUM CHASSIS.** 6 x 4 - £1.20; 8 x 6 - £1.50; 10 x 7 - £1.90; 12 x 8 - £2.20; 14 x 9 - £2.50; 16 x 6 - £2.40; 16 x 10 - £2.70.

ANGLE ALL. 6 x 3/4 x 3/4 in - 25p. **ALUMINIUM PANELS.** 6 x 4 - 36p; 8 x 6 - 60p; 14 x 3 - 60p; 10 x 7 - 80p; 12 x 8 - 90p; 12 x 5 - 60p; 16 x 6 - 90p; 14 x 9 - £1.20; 12 x 12 - £1.30; 16 x 10 - £1.40.

PLASTIC AND ALI BOXES IN STOCK. MANY SIZES

ALUMINIUM BOXES. 4 x 4 x 1 1/2 in. £1. 4 x 2 x 2 in. £1. 3 x 2 x 1 80p. 6 x 4 x 2 in. £1.30. 7 x 5 x 2 1/2 in. £1.45. 8 x 6 x 3 in. £2.20. 10 x 7 x 3 in. £2.50. 12 x 5 x 3 in. £2.30. 12 x 8 x 3 in. £3.

BRIDGE RECTIFIER 200V PIV 4 amp £1.50. 8 amp £2.50.

TOGGLE SWITCHES SP 30p. DPST 40p. DPDT 50p.

RESISTORS. 10 Ω to 10M. 1/4W, 1/2W, 1W, 1p. 2W 10p. **HIGH STABILITY.** 4w 2% 10 ohms to 1 meg. 8p. Ditto 5%. Preferred values. 10 ohms to 10 meg. 3p.

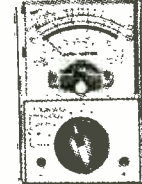
PICK-UP CARTRIDGES SONATONE 9TAHC £2.50. BSR Stereo Ceramic SC7 Medium £2. SC8 High £2. PHILIPS PLUG-IN HEAD. AU1020 (G306 - GP310 - GP233 - AG3306 - AG3310) £2.

LOCKTITE SEALING KIT DECCA 118 . Complete £1. SOLDERING IRON 240V 40W £2.75.

VALVE OUTPUT Transformers (small) 90p.

CAR SPEAKERS on Baffles 7 x 4 1/2 x 1 1/2 in. deep. 4 ohms Twin Units Bass and Treble 10 watts. RMS. Door Mounting. Stereo pair £14.

IN-CAR GRAPHIC EQUALISER. Power Booster. Stereo 20 watts RMS per channel. 5 sliders Graphic Equalisation 5 1/2 wide x 7 1/2 deep x 2 in. high. 12 volt D.C. suitable for Car Radio or Cassette £30.



MINI-MULTI TESTER

Deluxe pocket size precision moving coil instrument. Jewelled bearings - 2000 o.p.v. Battery included. 11 instant ranges measure: DC volts 10, 50, 250, 1000. AC volts 10, 50, 250, 1000. DC amps 0-100mA. Continuity and resistance 0-1 meg ohms in two ranges. De-Luxe Range Double Model. 50,000 O.P.V. £18.50

£6.50 Post 65p

PANEL METERS £4 each

50 μ a 100 μ a 500 μ a, 1ma, 5ma, 50ma, 100ma, 25 volt, 50 volt, VU Meter. Facia 2 3/8 x 1 3/4 x 1 1/2 in. Fixing hole 1 1/2 in. dia. Lighting kit 6 or 12v 90p extra. 1ma (240 μ scale) 2 1/4 in. sq. £5 Post 65p



RCS SOUND TO LIGHT CONTROL KIT

Kit of parts to build a 3 channel sound to light unit 1,000 watts per channel. Suitable for home or disco. Easy to build. Full instructions supplied. Cabinet £4.50 extra. Will operate from 200MV to 100 watt signal. 200 Watt Rear Reflecting White Light Bulbs. Ideal for Disco Lights. Edison Screw 6 for £4, or 12 for £7.50. Post 65p

£18 Post 65p

"MINOR" 10 watt AMPLIFIER KIT £14

This kit is suitable for record players guitars tape playback. electronic instruments or small PA systems. Two versions available. Mono. £14; Stereo. £20. Post 65p. Specification 10W per channel input 100mV. size 9 1/2 x 3 x 2 in. approx. SAE details. Full instructions supplied. AC mains powered. Input can be modified to suit guitar

RCS STEREO PRE-AMP KIT. All parts to build this pre-amp. Inputs for high medium or low imp per channel, with volume control and PC Board. £2.95 Post 65p

Can be ganged to make multi-way stereo mixers

MAINS TRANSFORMERS

250-0-250V 70mA, 6.5V, 2A £4.50 £2.00
250-0-250V 80mA, 6.3V 3.5A, 6.3V 1A £5.00 £2.00
350-0-350V 250mA, 6.3V 4A, 4A CT, 5V 2A £14.50 £2.50
300-0-300V 120mA, 2x6.3V 2A C.T.: 5V 2A £10.00 £2.50
220V 45mA, 6.3V 2A £2.50 £1.00

GENERAL PURPOSE LOW VOLTAGE

Tapped outputs available
2 amp 3, 4, 5, 6, 8, 9, 10, 12, 15, 18, 25 and 30V £6.00 £2.00
1 amp 6, 8, 10, 12, 16, 18, 20, 24, 30, 36, 40, 48, 60 £6.00 £2.00
2 amp 6, 8, 10, 12, 16, 18, 20, 24, 30, 36, 40, 48, 60 £9.50 £2.00
3 amp 6, 8, 10, 12, 16, 18, 20, 24, 30, 36, 40, 48, 60 £12.50 £2.50
5 amp 6, 8, 10, 12, 16, 18, 20, 24, 30, 36, 40, 48, 60 £16.00 £2.50
12V, 100mA £2.00 80p
12V, 750mA £13.00 80p
10-0-10V 2a £3.00 £1
10V, 30V, 40V, 2a £3.50 £1
30V, 5a and 17V-0-17V, 2a £4.00 £2
0.5, 8, 10, 16V, 1/2a £2.50 80p
9V, 3a £3.50 £1
25-0-25V 2a £4.50 £1
30V, 1 1/2a £3.2a £3.50 £1
12-0-12V, 2a £2.00 £1
15-0-15V, 2a £3.75 £1
10V, 30V, 40V, 2a £3.50 £1
2 of 28 volt 1a £5.00 £2
20V, 1a £3.00 £1
20V-0-20V, 1a £3.50 £1
9-0-9 volt 50ma £1.50 80p
2 of 18V, 6a £11.00 £2.50
12-0-12V, 2a £3.50 £1
9V, 1/4a £1.50 80p
32-0-32V, 6 1/2a £11.00 £2.50

AUTO TRANSFORMERS. 115V to 40V 150W £8 Post £2

CHARGER 500W £12 £2.50

TRANSFORMERS	RECTIFIERS
6-12 volt 3a £4.00 £2	6-12 volt 2a £1.10 80p
6-12 volt 4a £6.50 £2	6-12 volt 4a £2.00 80p

OPUS COMPACT SPEAKERS

FLUTED WOOD FRONTS TEAK VENEERED CABINET 11 x 8 1/2 x 7 in. 50 to 14,000 cps 15 watts 8 ohm

£20 pair Post £2

LOW VOLTAGE ELECTROLYTICS

1000 μ F 12V 15p	25V 20p	50V 30p	ALL 10p
1000 μ F 12V 20p	25V 35p	50V 35p	100V 70p
2000 μ F 6V 25p	25V 42p	40V 60p	1200mF 76V 80p
2500mF 50V 70p	3000mF 50V 65p	2000mF 100V £1.	
4500mF 64V £2.	4700mF 63V £1.20.	2700mF 7.75V £1.	

HIGH VOLTAGE ELECTROLYTICS

8 450V 45p	8 450V 75p	12+32+16 350V 90p
6 350V 45p	8+16 450V 75p	100+100 275V 65p
10 75p	20+20 450V 75p	100+100 275V 70p
10 120V 1.20	32+32 350V 50p	150+200 275V 70p
10 100V 1.20	32+32 50p	180+200 275V 95p
32 35V 50p	50+50 300V 50p	80+40 500V £2

TRIMMERS 10pF, 30pF, 50pF, 5p, 100pF, 150pF, 15p.

CERAMIC. 1pF to 0.01mF, 5p. Polystyrene 2 to 5000pF, 5p.
PAPER 350V-0.1 7p; 0.5 13p; 1mF 150V 20p; 2mF 150V 20p; 500V-0.001 to 0.05 12p; 0.1 15p; 0.25 25p; 0.47 35p.
MICRO SWITCH SINGLE POLE CHANGEOVER 20p.
SUB-MIN MICRO SWITCH. 25p. Single pole change over
TWIN GANG. 120pF 50p; 500pF £1.
GEARED TWIN GANGS 25pF 95p 365pF £1.
GEARED 365 + 365 + 25 + 25pF £1.
TRANSISTOR TWIN GANG. Japanese Replacement 50p.
NEON PANEL INDICATORS 25V 30p.
ILLUMINATED ROCKER SWITCH. Single pole. Red 65p.
WIRE-WOUND RESISTORS 5 watt, 10 watt, 15 watt 15p
CASSETTE MOTOR. 6 volt £1
CASSETTE MECHANISM. 12v Stereo Playback only £5
U.H.F. COAXIAL CABLE SUPER LOW LOSS. 25p yd.
COAX PLUGS 20p. **COAX SOCKETS** 20p.

BAKER LOUDSPEAKERS

"SALE PRICES"

MODEL	INCHES	OHMS	WATTS	TYPE	PRICE
MAJOR	12	4-8-16	30	HI-FI	£12
DELUXE MK II	12	8-16	15	HI-FI	£12
SUPERS	12	8-16	30	HI-FI	£20
AUDITORIUM	12	8-16	45	HI-FI	£20
AUDITORIUM	15	8-16	60	HI-FI	£34
GROUP 45	12	4-8-16	45	PA	£12
GROUP 75	12	4-8-16	75	PA	£20
GROUP 100	12	8-16	100	PA	£20
GROUP 100	15	8-16	100	PA	£28
DISCO 100	12	8-16	100	DISCO	£20
DISCO 100	15	8-16	100	DISCO	£28

BAKER 50 WATT AMPLIFIER

£69 Post £2

Ideal for Halls/PA systems. Discos and Groups. Two inputs. Mixer. Volume Controls, Master Bass, Treble and Gain Controls. 50 watts r.m.s. Three loudspeaker outlets 4, 8, 16 ohms.



BAKER 150 WATT MIXER/POWER AMPLIFIER

Professional 4 inputs with volume controls. Will mix mics, decks, musical instruments, etc. £89



Slave version available £75
100 Volt Line £14 extra. Post £2.

FAMOUS LOUDSPEAKERS

"SPECIAL PRICES"

MAKE	MODEL	SIZE	WATT	OHMS	PRICE
SEAS	TWEETER	4in	50	8	£7.50
GOODMANS	TWEETER	3 1/2 in	25	8	£4.00
AUDAX	TWEETER	3 1/2 in	60	8	£10.50
SEAS	MID-RANGE	4in	50	8	£7.50
SEAS	MID-RANGE	5in	80	8	£10.50
SEAS	MID-RANGE	4 1/2 in	100	8	£12.50
GOODMANS	FULL-RANGE	5 1/2 in	15	8	£6.50
GOODMANS	FULL-RANGE	8in	30	8	£9.50
GOODMANS	FULL-RANGE	8in	15	15	£8.50
GOODMANS	AUDIOM 8p	8in	15	15	£8.00
GOODMANS	AXIOM	8in	30	8	£14.00
SEAS	WOOFER	8in	30	8	£6.50
RIGONDA	GENERAL	10in	15	8	£20.00
GOODMANS	AUDIOM PG	12in	60	8	£24.50
GOODMANS	PP12	12in	75	8/15	£20.00
GOODMANS	AUDIOM P	12in	50	8/15	£27.50
GOODMANS	GR12	12in	90	8/15	£27.50
GOODMANS	AUDIOM P	15in	50	15	£25.00

BATTERY ELIMINATOR MAINS TO 9 VOLT D.C.

Stabilised output, 9 volt 400 m.a. U.K. made in plastic case with screw terminals. Safety overload cut out. Size 5 x 3 1/4 x 2 1/2 in. Transformer Rectifier Unit Suitable Radios, Cassettes, models, £4.50. Post 65p

DELUXE SWITCHED VOLTAGES MODEL STABILISED

3.6-7.9 volt 400ma DC max. Universal output plug and lead Pilot light, mains switch, polarity switch £7.50. Post 65p

TEAK VENEERED HI-FI SPEAKER CABINETS

For 13x8in. or 8in. speaker £10.50 Post £2
For 6 1/2 in. speaker and tweeter £9.50 Post £2
Many other cabinets in stock. Phone your requirements.
SPEAKER COVERING MATERIALS. Samples Large S.A.E.
LOUDSPEAKER CABINET WADDING 18in wide 25p ft.

CROSSOVERS. TWO-WAY 3000 c/s 3 or 8 or 15 ohm

£1.90. 3-way 950 cps/3000 cps. £2.20.

LOUDSPEAKER BARGAINS

3 ohm, 4in 5in, 7x4in. £1.50; 6 1/2 in, 8x5in £3; 8in. £3.50. 8 ohm, 2 1/2 in 3in 5in. £1.50; 6 1/2 in. £3; 8in. £4.50; 10" £6. 15 ohm, 3 1/2 in, 5x3in, 6x4in. £1.50. 25 ohm, 3in 5x3in, 7x4in. £1.50. 120 ohm, 3 1/2 in dia. £1.50.

MOTOROLA PIEZO ELECTRIC HORN TWEETER £6.50

Handles up to 100 watts. No crossover required. 4 or 8 or 16 ohm

BLACK PLASTIC CONSTRUCTION BOX with brushed aluminium fascia. Sturdy job. Size 6 1/4 x 4 1/4 x 2 1/4. £1.50

ECHO CHAMBER

Good quality unit with endless play tape cartridge. Stationary play heads ensure good reproduction and echo variance is achieved by changing tape speed. Input into 50k and 600 ohms. Power 240 volts A.C. £68. Post £2 Spare tape 15

EPROM Erasure at low prices.

Chiptech ultraviolet erasers have been designed primarily for economy in situations that have a low throughput.

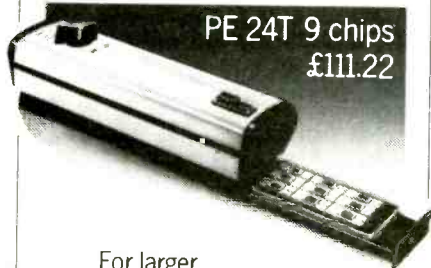
Although low cost, they are also the fastest and most efficient erasers of their size.

All models are fitted with 600-hour UV tubes, safety interlocks and housed in gold anodised aluminium casings.

PE 14 6 chips £56.00
PE 14T 6 chips £76.58

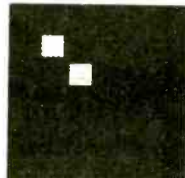


prices exclude delivery and VAT



PE 24T 9 chips
£111.22

For larger systems users, model PE 24T has a double tube construction and automatic shut-off with 60 minute timer.



Chiptech Limited

Chiptech Limited.
Tewin Court, Welwyn Garden City,
Herts. AL7 1AU
Tel (07073) 32140. Telex 8953451

WW - 085 FOR FURTHER DETAILS

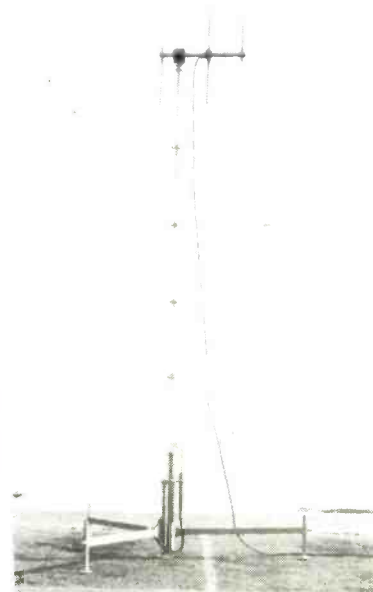
FAST ERECTING CLARK MASTS

For World-wide Telecommunications in the 1980's

Clark Masts Ltd. are specialists in the design and manufacture of telescopic and sectional mast systems. With over 25 years' experience in supplying masts to meet exacting military and civil specifications we have the expertise you can depend on.

Extended heights 4m-30 metres capable of lifting headload 1Kg-200Kgs, sectional or telescopic air operated for field or vehicle mounting. Write or phone us for details today.

Telescopic air operated
Clark P.B. 29 Mast 4.5
metres mounted vertically
within Volvo
vehicle



Telescopic air operated
Clark Mast Type
QT4m/HP mounted
on portable tripod

CLARK MASTS LTD.
Binstead,
Isle of Wight,
PO 33 3PA, England.

Telephone Ryde (0983) 63691,

Telex 86686



WW - 091 FOR FURTHER DETAILS

LANGREX SUPPLIES LTD

Climax House, Fallsbrook Rd., Streamham, London SW16 6ED

RST

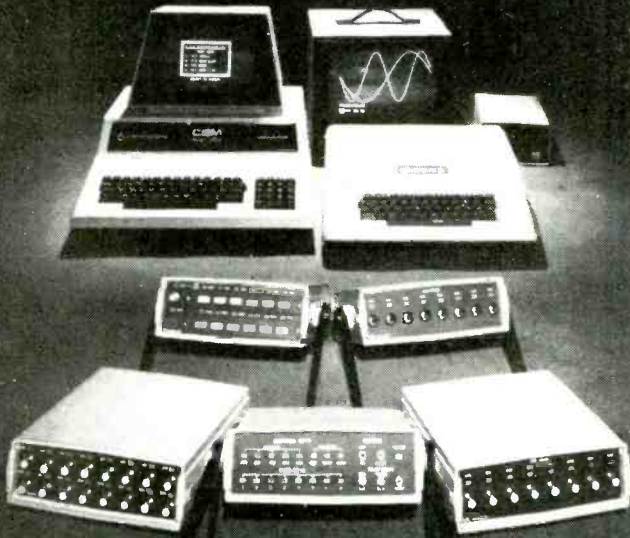
Tel: 01-677 2424 Telex: 946708

RST

SEMICONDUCTORS

AA119 0.12	ASZ15 1.38	BC172 0.13	BD131 0.51	BF257 0.31	CRS360 1.04	OAZ201 1.73	OC203 3.45	ZTX502 0.21	2N1309 1.38	2N3771 1.61
AA130 0.20	ASZ16 1.27	BC173 0.13	BD135 0.46	BF258 0.31	GEX66 1.73	OAZ206 1.73	OC204 3.45	ZTX503 0.22	2N1613 0.37	2N3772 1.84
AA330 0.40	ASZ17 1.15	BC177 0.32	BD137 0.46	BF259 0.32	GEX541 5.75	OAZ207 1.73	OC205 3.45	ZTX504 0.22	2N1671 1.73	2N3773 2.07
AAZ13 0.17	ASZ20 2.64	BC178 0.16	BD138 0.55	BF336 0.39	GJM 1.73	OC210 2.88	OC206 3.45	ZTX531 0.28	2N1893 0.37	2N3820 0.45
AAZ15 0.17	ASZ21 2.88	BC179 0.32	BD139 0.55	BF337 0.39	MJE378A 2.02	OC212 2.88	OC207 3.45	ZTX550 0.29	2N2147 4.60	2N3823 0.69
AAZ17 0.17	AU113 2.88	BC182 0.35	BD140 0.58	BF338 0.41	KS100A 0.22	OC222 2.88	OC208 3.45	IN914 0.06	2N2218 0.37	2N3866 1.15
AC142 0.63	AU110 3.45	BC183 0.13	BD144 2.30	BF361 0.23	MJE340 0.69	OC223 4.60	OC209 3.45	IN4001 0.10	2N2219 0.37	2N3904 0.20
AC125 0.29	AU110 2.88	BC184 0.13	BD181 1.38	BF362 0.23	MJE370 0.84	OC224 4.60	OC210 3.45	IN4002 0.07	2N2220 0.23	2N3905 0.23
AC126 0.29	BA145 0.15	BC212 0.13	BD182 1.37	BF363 0.23	MJE371 0.84	OC225 1.15	OC211 3.45	IN4003 0.07	2N2221 0.23	2N4058 0.20
AC127 0.29	BA148 0.17	BC213 0.13	BD187 0.62	BF364 0.23	MJE372 0.84	OC226 1.15	OC212 3.45	IN4004 0.06	2N2222 0.23	2N4059 0.23
AC128 0.35	BA154 0.12	BC214 0.13	BD238 1.62	BF365 0.23	MJE373 0.84	OC227 1.15	OC213 3.45	IN4005 0.10	2N2223 0.23	2N4060 0.18
AC141 0.32	BA155 0.12	BC237 0.13	BDX10 1.05	BF366 0.23	MJE374 0.84	OC228 2.30	OC214 3.45	IN4006 0.13	2N2224 0.23	2N4061 0.18
AC141K 0.40	BA156 0.12	BC238 0.13	BDX32 2.30	BF367 0.23	MJE375 0.84	OC229 2.30	OC215 3.45	IN4007 0.14	2N2225 0.23	2N4062 0.18
AC142K 0.40	BAW62 0.06	BC301 0.38	BDY20 1.73	BF368 0.23	MJE376 0.84	OC230 2.30	OC216 3.45	IN4008 0.08	2N2226 0.23	2N4063 0.18
AC176 0.35	BAW62 0.06	BC303 0.39	BDY60 1.73	BF369 0.23	MJE377 0.84	OC231 2.30	OC217 3.45	IN4009 0.08	2N2227 0.23	2N4064 0.18
AC187 0.32	BC107 0.18	BC307 0.13	BF115 0.40	BF370 0.23	MJE378 0.84	OC232 2.30	OC218 3.45	IN4010 0.08	2N2228 0.23	2N4065 0.18
AC188 0.32	BC108 0.18	BC308 0.13	BF152 0.18	BF371 0.23	MJE379 0.84	OC233 2.30	OC219 3.45	IN4011 0.08	2N2229 0.23	2N4066 0.18
AC189 0.32	BC109 0.18	BC309 0.13	BF153 0.18	BF372 0.23	MJE380 0.84	OC234 2.30	OC220 3.45	IN4012 0.08	2N2230 0.23	2N4067 0.18
AC189 0.32	BC110 0.18	BC310 0.13	BF154 0.18	BF373 0.23	MJE381 0.84	OC235 2.30	OC221 3.45	IN4013 0.08	2N2231 0.23	2N4068 0.18
AC189 0.32	BC111 0.18	BC311 0.13	BF155 0.18	BF374 0.23	MJE382 0.84	OC236 2.30	OC222 3.45	IN4014 0.08	2N2232 0.23	2N4069 0.18
AC189 0.32	BC112 0.18	BC312 0.13	BF156 0.18	BF375 0.23	MJE383 0.84	OC237 2.30	OC223 3.45	IN4015 0.08	2N2233 0.23	2N4070 0.18
AC189 0.32	BC113 0.18	BC313 0.13	BF157 0.18	BF376 0.23	MJE384 0.84	OC238 2.30	OC224 3.45	IN4016 0.08	2N2234 0.23	2N4071 0.18
AC189 0.32	BC114 0.18	BC314 0.13	BF158 0.18	BF377 0.23	MJE385 0.84	OC239 2.30	OC225 3.45	IN4017 0.08	2N2235 0.23	2N4072 0.18
AC189 0.32	BC115 0.18	BC315 0.13	BF159 0.18	BF378 0.23	MJE386 0.84	OC240 2.30	OC226 3.45	IN4018 0.08	2N2236 0.23	2N4073 0.18
AC189 0.32	BC116 0.18	BC316 0.13	BF160 0.18	BF379 0.23	MJE387 0.84	OC241 2.30	OC227 3.45	IN4019 0.08	2N2237 0.23	2N4074 0.18
AC189 0.32	BC117 0.18	BC317 0.13	BF161 0.18	BF380 0.23	MJE388 0.84	OC242 2.30	OC228 3.45	IN4020 0.08	2N2238 0.23	2N4075 0.18
AC189 0.32	BC118 0.18	BC318 0.13	BF162 0.18	BF381 0.23	MJE389 0.84	OC243 2.30	OC229 3.45	IN4021 0.08	2N2239 0.23	2N4076 0.18
AC189 0.32	BC119 0.18	BC319 0.13	BF163 0.18	BF382 0.23	MJE390 0.84	OC244 2.30	OC230 3.45	IN4022 0.08	2N2240 0.23	2N4077 0.18
AC189 0.32	BC120 0.18	BC320 0.13	BF164 0.18	BF383 0.23	MJE391 0.84	OC245 2.30	OC231 3.45	IN4023 0.08	2N2241 0.23	2N4078 0.18
AC189 0.32	BC121 0.18	BC321 0.13	BF165 0.18	BF384 0.23	MJE392 0.84	OC246 2.30	OC232 3.45	IN4024 0.08	2N2242 0.23	2N4079 0.18
AC189 0.32	BC122 0.18	BC322 0.13	BF166 0.18	BF385 0.23	MJE393 0.84	OC247 2.30	OC233 3.45	IN4025 0.08	2N2243 0.23	2N4080 0.18
AC189 0.32	BC123 0.18	BC323 0.13	BF167 0.18	BF386 0.23	MJE394 0.84	OC248 2.30	OC234 3.45	IN4026 0.08	2N2244 0.23	2N4081 0.18
AC189 0.32	BC124 0.18	BC324 0.13	BF168 0.18	BF387 0.23	MJE395 0.84	OC249 2.30	OC235 3.45	IN4027 0.08	2N2245 0.23	2N4082 0.18
AC189 0.32	BC125 0.18	BC325 0.13	BF169 0.18	BF388 0.23	MJE396 0.84	OC250 2.30	OC236 3.45	IN4028 0.08	2N2246 0.23	2N4083 0.18
AC189 0.32	BC126 0.18	BC326 0.13	BF170 0.18	BF389 0.23	MJE397 0.84	OC251 2.30	OC237 3.45	IN4029 0.08	2N2247 0.23	2N4084 0.18
AC189 0.32	BC127 0.18	BC327 0.13	BF171 0.18	BF390 0.23	MJE398 0.84	OC252 2.30	OC238 3.45	IN4030 0.08	2N2248 0.23	2N4085 0.18
AC189 0.32	BC128 0.18	BC328 0.13	BF172 0.18	BF391 0.23	MJE399 0.84	OC253 2.30	OC239 3.45	IN4031 0.08	2N2249 0.23	2N4086 0.18
AC189 0.32	BC129 0.18	BC329 0.13	BF173 0.18	BF392 0.23	MJE400 0.84	OC254 2.30	OC240 3.45	IN4032 0.08	2N2250 0.23	2N4087 0.18
AC189 0.32	BC130 0.18	BC330 0.13	BF174 0.18	BF393 0.23	MJE401 0.84	OC255 2.30	OC241 3.45	IN4033 0.08	2N2251 0.23	2N4088 0.18
AC189 0.32	BC131 0.18	BC331 0.13	BF175 0.18	BF394 0.23	MJE402 0.84	OC256 2.30	OC242 3.45	IN4034 0.08	2N2252 0.23	2N4089 0.18
AC189 0.32	BC132 0.18	BC332 0.13	BF176 0.18	BF395 0.23	MJE403 0.84	OC257 2.30	OC243 3.45	IN4035 0.08	2N2253 0.23	2N4090 0.18
AC189 0.32	BC133 0.18	BC333 0.13	BF177 0.18	BF396 0.23	MJE404 0.84	OC258 2.30	OC244 3.45	IN4036 0.08	2N2254 0.23	2N4091 0.18
AC189 0.32	BC134 0.18	BC334 0.13	BF178 0.18	BF397 0.23	MJE405 0.84	OC259 2.30	OC245 3.45	IN4037 0.08	2N2255 0.23	2N4092 0.18
AC189 0.32	BC135 0.18	BC335 0.13	BF179 0.18	BF398 0.23	MJE406 0.84	OC260 2.30	OC246 3.45	IN4038 0.08	2N2256 0.23	2N4093 0.18
AC189 0.32	BC136 0.18	BC336 0.13	BF180 0.18	BF399 0.23	MJE407 0.84	OC261 2.30	OC247 3.45	IN4039 0.08	2N2257 0.23	2N4094 0.18
AC189 0.32	BC137 0.18	BC337 0.13	BF181 0.18	BF400 0.23	MJE408 0.84	OC262 2.30	OC248 3.45	IN4040 0.08	2N2258 0.23	2N4095 0.18
AC189 0.32	BC138 0.18	BC338 0.13	BF182 0.18	BF401 0.23	MJE409 0.84	OC263 2.30	OC249 3.45	IN4041 0.08	2N2259 0.23	2N4096 0.18
AC189 0.32	BC139 0.18	BC339 0.13	BF183 0.18	BF402 0.23	MJE410 0.84	OC264 2.30	OC250 3.45	IN4042 0.08	2N2260 0.23	2N4097 0.18
AC189 0.32	BC140 0.18	BC340 0.13	BF184 0.18	BF403 0.23	MJE411 0.84	OC265 2.30	OC251 3.45	IN4043 0.08	2N2261 0.23	2N4098 0.18
AC189 0.32	BC141 0.18	BC341 0.13	BF185 0.18	BF404 0.23	MJE412 0.84	OC266 2.30	OC252 3.45	IN4044 0.08	2N2262 0.23	2N4099 0.18
AC189 0.32	BC142 0.18	BC342 0.13	BF186 0.18	BF405 0.23	MJE413 0.84	OC267 2.30	OC253 3.45	IN4045 0.08	2N2263 0.23	2N4100 0.18
AC189 0.32	BC143 0.18	BC343 0.13	BF187 0.18	BF406 0.23	MJE414 0.84	OC268 2.30	OC254 3.45	IN4046 0.08	2N2264 0.23	2N4101 0.18
AC189 0.32	BC144 0.18	BC344 0.13	BF188 0.18	BF407 0.23	MJE415 0.84	OC269 2.30	OC255 3.45	IN4047 0.08	2N2265 0.23	2N4102 0.18
AC189 0.32	BC145 0.18	BC345 0.13	BF189 0.18	BF408 0.23	MJE416 0.84	OC270 2.30	OC256 3.45	IN4048 0.08	2N2266 0.23	2N4103 0.18
AC189 0.32	BC146 0.18	BC346 0.13	BF190 0.18	BF409 0.23	MJE417 0.84	OC271 2.30	OC257 3.45	IN4049 0.08	2N2267 0.23	2N4104 0.18
AC189 0.32	BC147 0.18	BC347 0.13	BF191 0.18	BF410 0.23	MJE418 0.84	OC272 2.30	OC258 3.45	IN4050 0.08	2N2268 0.23	2N4105 0.18
AC189 0.32	BC148 0.18	BC348 0.13	BF192 0.18	BF411 0.23	MJE419 0.84	OC273 2.30	OC259 3.45	IN4051 0.08	2N2269 0.23	2N4106 0.18
AC189 0.32	BC149 0.18	BC349 0.13	BF193 0.18	BF412 0.23	MJE420 0.84	OC274 2.30	OC260 3.45	IN4052 0.08	2N2270 0.23	2N4107 0.18
AC189 0.32	BC150 0.18	BC350 0.13	BF194 0.18	BF413 0.23	MJE421 0.84	OC275 2.30	OC261 3.45	IN4053 0.08	2N2271 0.23	2N4108 0.18
AC189 0.32	BC151 0.18	BC351 0.13	BF195 0.18	BF414 0.23	MJE422 0.84	OC276 2.30	OC262 3.45	IN4054 0.08	2N2272 0.23	2N4109 0.18
AC189 0.32	BC152 0.18	BC352 0.13	BF196 0.18	BF415 0.23	MJE423 0.84	OC277 2.30	OC263 3.45	IN4055 0.08	2N2273 0.23	2N4110 0.18
AC189 0.32	BC153 0.18	BC353 0.13	BF197 0.18	BF416 0.23	MJE424 0.84	OC278 2.30	OC264 3.45	IN4056 0.08	2N2274 0.23	2N4111 0.18
AC189 0.32	BC154 0.18	BC354 0.13	BF198 0.18	BF417 0.23	MJE425 0.84	OC279 2.30	OC265 3.45	IN4057 0.08	2N2275 0.23	2N4112 0.18
AC189 0.32	BC155 0.18	BC355 0.13	BF199 0.18	BF418 0.23	MJE426 0.84	OC280 2.30	OC266 3.45	IN4058 0.08	2N2276 0.23	2N4113 0.18
AC189 0.32	BC156 0.18	BC356 0.13	BF200 0.18	BF419 0.23	MJE427 0.84	OC281 2.30	OC267 3.45	IN4059 0.08	2N2277 0.23	2N4114 0.18
AC189 0.32	BC157 0.18	BC357 0.13	BF201 0.18	BF420 0.23	MJE428 0.84	OC282 2.30	OC268 3.45	IN4060 0.08	2N2278 0.23	2N4115 0.18
AC189 0.32	BC158 0.18	BC358 0.13	BF202 0.18	BF421 0.23	MJE429 0.84	OC283 2.30	OC269 3.45	IN4061 0.08	2N2279 0.23	2N4116 0.18
AC189 0.32	BC159 0.18	BC359 0.13	BF203 0.18	BF422 0.23	MJE430 0.84	OC284 2.30	OC270 3.45	IN4062 0.08	2N2280 0	

FIVE NEW SENSES FOR YOUR MICRO

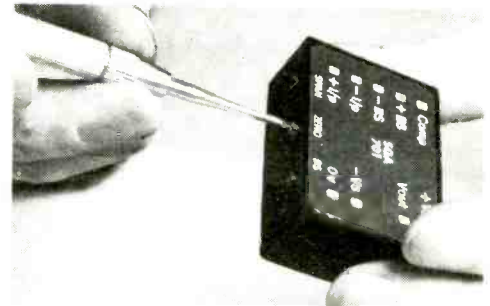


**IEEE STANDARD
A-D CONVERTERS
D-A CONVERTERS
RELAY UNITS
APPLE INTERFACES**

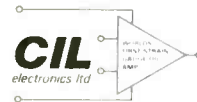
CIL
electronics Ltd
WORLD'S FIRST STRAIN GAUGE DIL AMP
Decoy Rd, Worthing, Sussex,
Tel: Worthing (0903) 200673

THE COMPLETE SOLUTION TO STRAIN GAUGE AMPLIFICATION

- COMPLETE WITH BRIDGE SUPPLY
- COMPLETE WITH ALL ADJUSTMENTS (SPAN ZERO BRIDGE VOLTAGE)
- COMPLETE (NO EXTERNAL COMPONENTS NEEDED)



The series SGA 700 provides the complete solution to Strain Gauge Amplification. Simply connect the bridge, connect the power supplies and the SGA 700 does the rest. It also offers high stability. Miniature size, good supply rejection — in fact a specification as good as many instruments many times the price and size.



CIL Electronics Ltd
14 Willowbrook Road,
Worthing, Sussex BN14 8NA.
Tel: Worthing (0903) 204646
Telex: 87515 WISCO G ATT CIL

WW-086 FOR FURTHER DETAILS

Happy Memories

4116	200ns	£1.95
2114	200ns	£2.95
2708	450ns	£3.95
2114	450ns	£2.20
2716	5 volt	£4.75

Memorex Soft-sectored mini-discs for PET, TRS-80 etc. Supplied in FREE LIBRARY CASE, £19.95 per 10

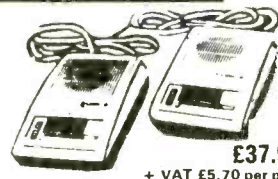
Low Profile I.C. Sockets by "Texas"
Pins 8 14 16 18 20 22 24 28 40
Pence 10 11 12 16 17 20 21 28 37

Memory Upgrade Kits for Apple, 2020, TRS-80, etc.: from £18, please phone. Quantity prices available on request. Government and Educational Orders welcome. Trade accounts opened.

All prices include VAT. Postage FREE on orders over £15, otherwise add 30p
Access and Barclaycard welcome

**HAPPY MEMORIES, DEPT. W.W.
GLADESTRY, KINGTON
HEREFORDSHIRE HR5 3NY
Tel. (054422) 618**

MAINS INTERCOM NEW IMPROVED



NO BATTERIES, NO WIRES. Made to high Safety and Telecommunications Standard. The modern way of instant 2-way communications. Just plug into power socket. Ready for use. Crystal clear communications from room to room. Range 1/4 mile on the same-mains phase with call buzzer and light indicator. On-off switch. Volume control. Useful as inter-office intercom between office and warehouse, in surgery and in homes, between house and garage. Also useful as burglar alarm. 6 months' service guarantee. P&P £1.95. Also F.M. 2-channel model £55.95 + VAT £8.40 — P&P £2.15 per pair.

10 days' price refund guarantee. Barclaycard and Access welcome

WEST LONDON DIRECT SUPPLIES (WW)
169 KENSINGTON HIGH STREET, LONDON W8 6SN. TEL. 01-937 5548

NEW! AMERICAN TYPE CRADLE TELEPHONE AMPLIFIER



ONLY £18.95
+ VAT £2.85
+ P&P £1.65

New improved battery operated Telephone Amplifier with detached plug-in speaker. Placing the receiver on to the cradle activates on/off switch for immediate two-way conversation without holding the handset. Many people can listen at a time. Increases efficiency in office, shop, workshop. Perfect for conference calls, leaves the user's hands free to make notes, consult files. No "holding on", save money and long-distance calls. Volume control. Model with conversation recording facilities. Price £20.95 + VAT £3.15, post and packing for either model £1.65.

P.&R. COMPUTER SHOP

EPSON MX-80 80.GPs DOT MATRIX PRINTER WITH SPECIAL INTERFACES. 3982 IBM I/O PRINTERS. VDUs, ASCII KEYBOARDS, ASR, KSR, TELETYPES, PAPER TAPE READERS, PAPER TAPE PUNCHES, SCOPES, TYPEWRITERS, FANS 4" 5" 6". POWER SUPPLIES, STORE CORES, TEST EQUIPMENT AND MISCELLANEOUS COMPUTER EQUIPMENT. OPEN: MONDAY TO FRIDAY 9am-5pm SATURDAY TILL 1pm.

COME AND LOOK AROUND
**SALCOTT MILL, GOLDHANGER ROAD
HEYBRIDGE, ESSEX.
PHONE MALDON (0621) 57440**

SERVICE TRADING CO

FT3 NEON FLASH TUBE

High intensity multi turn high voltage, neon glow discharge flash tube. Design for ignition timing etc. **1.0 P&P 25p (£2.07 inc. VAT)** 3 for **£3.95 P&P (£4.03 inc. VAT & P).**

WHY PAY MORE?

MULTI RANGE METERS Type MF15A. AC/DC volts 10, 50, 250, 500, 1000 Ma 0.5 0.10 0.100 Sensitivity 2000V 24 ranges dimensions 133x93x46mm. Price **£7.00 plus 50p P&P (£8.63 inc. VAT & P).**



METERS (New) - 90mm DIAMETER

AC Amp. Type 62T2: 0-1A, 0-5A, 0-20A, 50A. AC Volt. 0-15V, 0-300V. DC Amp. Type 65C5 0-2A, 0-10A, 0-20A, 0-50A. DC Volt. 15V, 30V. All types **£3.60 ea + P&P 75p (£5.00 inc. VAT)** except 0-50A DC, 0-100A DC Price **£5.00 plus 75p P&P (£6.61 inc. VAT).**



HEAVY DUTY SOLENOID

Mfg by Magnetic Devices. 240V AC intermittent operation approx 20lb pull at 1.25in Ex extg. Tester. Price **£5.95 + £1.50 P&P (£8.57 inc. VAT & P) R&T.**



240V A.C. SOLENOID approx. 10lb pull, 10% rating. Size 80x33x26mm. Price **£1.75 P&P 54p (£2.53 inc. VAT & P).**

12V DC SOLENOID

12V DC heavy duty Solenoid 4 Kp pull. Easily removable from plate. Ali. chassis containing 4 x 24V DC Push Solenoids (1 1/2 lb approx). 5 fig Counter. 6 min photo cells. Sub-min Microswitches etc. etc. Ex-equip London Transport Printer. Price **£9.00 - £2.00 p. & p. (total incl. VAT £12.65).**

12V DC SOLENOID Approx. 1lb pull. Price: **£1.50 + P&P 40p (£2.18 inc. VAT & P).**

SOLENOIDS

Westool Series D6 Model A3 24V D.C. Price **£1.50 + 50p P&P (£2.30 incl. VAT).** Westool Series D4 Model A 24V D.C. Price **£1.00 + 30p P&P (£1.50 incl. VAT).**

AG/GT 24V, DC 700hm Coil Solenoid Push or Pull Adjustable travel to 3/16in. Fitted with mounting brackets and spark suppressor. Size 100x65x25mm. Price 3 for **£2.85 + 50p P&P (min 3 off) (£3.85 inc. VAT & P).**

MINIATURE SOLENOID FLUID VALVE

12V DC 150hm coil normally closed. Stainless steel body with variable flow adjuster 1/8" B.S.T. inlet and outlet. Size: 58x27x25mm. Weight: 130gr. Price: **£2.60 + 35p P&P (Total incl. VAT £3.39).**



800 WATT DIMMER SWITCH

Easily fitted. Will control up to 800W of all lights except fluorescent at mains voltage. Price: **£3.90 + 50p P & P (£5.06 incl. VAT).**



REED SWITCHES. Size 28mm x4mm dia. Price: 10 for **£1.00 + P&P 20p (total incl. VAT £1.38).** 100 for **£8.00 + P&P 30p (total incl. VAT £9.55).**

MICRO SWITCHES

Sub. Min. Honeywell Lever m/s type 3115m 906t. 10 for **£3.50 post paid (£4.37 incl. VAT).**



These V3 types: Button Type (Pye) 10 for **£3.00 (£3.45 incl. VAT)** Short Lever type. 16amp. rating (Crouzet) **£4.00 (£4.60 incl. VAT).**

Long Lever 10 amp. C.O. 10 for **£4.50 (£5.18 inc. VAT).** Roller Type (Bonnell). 10 for **£3.50 (£4.03 inc. VAT).** N.M.S.

DP C/O lever m/switch mfg. by Chem Co USA. Precision metal, low resistance contacts. 10 for **£3.00 P&P 50p. Total incl. VAT (£4.02) mind 10). N.M.S.**

SOLID STATE E.H.T. UNIT

Input 230V A.C. Fully isolated output. 10 mm spark. Approx. 15kV. Built-in 10 sec. Timer. Easily modified for 20 sec., 30 sec., to continuous operation. Designed for boiler ignition. Dozens of uses in the field of physics and electronics, e.g. supplying neon or argon tubes, etc. E.H.T. starter for lasers, xenons, C.S.I. lamps, Van de Graaff Generator, loss of vacuum detector, Quindini coils, etc. etc. Size: Lgth 155mm Width 85mm. Ht 50mm. Wt 530gms. Price **£5.00 - 85p p. & p. (Total incl. VAT £6.61) N.M.S.**

A.E.G. CONTACTOR

Type L56/L11. Coil 240V 50Hz. Contacts - 3 make 600V 20 amp 1 break 600V 20 amp. Price **£5.75 + 75p P&P (£7.47 inc. VAT & P) N.M.S.**

ARROW-HART MAINS CONTACTOR

Cat. No. 130A30 Coil 250V or 500V AC. Contacts, 3 make 50 amp up to 660V AC 20hp at 440V 3 phase 50Hz. Price **£7.75 + P&P £1.00 (Total incl. VAT & P £10.06) N.M.S.**

SMITH BLOWER

Type FFB 1706 Small quiet smooth running. 240V AC operation. Output aperture 45x40mm. Overall size 135x135mm. Flange mounting. Price **£4.75 P&P £1.00 (£6.61 incl. VAT & P).** N.M.S. Other types available SAE for details

CENTRIFUGAL BLOWER UNIT

Powered by G.E.C. 230/250V. 2850 rpm motor producing approx. 120 cfm. Aperture: 65x90mm. Overall size 222x225x195mm incl. starter capac. Price: **£16.00 + P&P £2.00 (total incl. VAT £20.70).** N.M.S.

24V DC BLOWER UNIT

USA made 24V DC 0.8 amp blower to operates well on 12v 0.4 amp DC producing 30 cu ft min at normal air pressure. Maximum housing dia 110mm, depth inc motor 75mm, nozzle length 19mm, dia 22mm. Ideal for cooling mobile equipment, car, caravan, etc. **£4.50 P&P 75p (£6.04 inc. VAT & P) N.M.S.**

INSULATION TESTERS (NEW)

Test to I.E.E. spec. Rugged metal construction, suitable for bench or field work, constant speed clutch. Size L Bin, W 4in, H 6in, weight 6lb: 500 VOLTS 500 megohms **£49.00 P&P £2.00 (£58.65 inc. VAT & P).** 1000 VOLTS 1000lb **£55.00 P&P £2.00 (£65.55 inc. VAT & P).** SAE for leaflet



YET ANOTHER OUTSTANDING OFFER

New 1MFD 600V Dubilier wire ended capacitors. 10 for **£1.50 P&P 50p (£2.30 inc. VAT & P).** (Min 10) N.M.S.

VARIABLE VOLTAGE TRANSFORMERS

INPUT 230/240V a.c. 50/60 OUTPUT 0-260V

- 200W 1 amp inc. a.c. voltmeter **£14.50**
- 0.5 KVA (12 amp MAX) **£18.00**
- 1 KVA (5 amp MAX) **£24.00**
- 2 KVA (10 amp MAX) **£39.00**
- 3 KVA (15 amp MAX) **£47.00**
- 5 KVA (25 amp MAX) **£76.00**
- 10 KVA (50 amp MAX) **£168.00**
- 17 KVA (75 amp MAX) **£260.00**



3-PHASE VARIABLE VOLTAGE TRANSFORMERS

Dual input 200-240V or 380-415V. Star connected.

- 3 KVA 5 amp per phase max **£106.43**
- 6 KVA 10 amp per phase max **£159.37**
- 10 KVA 16 amp per phase max **£327.43**

Carriage, packing & VAT extra.

LT TRANSFORMERS

13.0-13V at 1 amp **£2.80 P&P 75p (£4.08 inc. VAT)**
0-15V at 12 amp. 0-30V at 12 amp **£20.40 P&P £2.3 (£26.11 inc. VAT & P)**
0.6V/12V at 20 amp **£16.20 P&P £2.00 (inc. VAT £20.93)**
0-12V at 20 amp or 0-24V at 10 amp **£14.90 P&P £2.0 (£19.43 inc. VAT & P)**
0.6V/12V at 10 amp **£9.10 P&P £2.00 (inc. VAT £12.76 inc. VAT)**
0.6V/12V/17V/13V/20V at 20 amp **£20.90 P&P £2.00 (£26.68 inc. VAT & P)**
0-10V/17V/18V at 10 amp **£11.55 P&P £2.00 (inc. P&P £15.58 inc. VAT)**
Other types in stock. phone for enquiries or send SAE for leaflet.

HY-LIGHT STROBE KIT Mk. IV

Latest type Xenon which lights flash tube. Solid state timing and triggering circuit 230-240V and operator. Designed for larger rooms, halls, etc. Speed adjustable 1.20 f.p.s. Light output greater than man. so-called 4 Joule stroves. Hy-Light Strobe Kit Mk IV **£27.00 - £2.00 P&P (incl. VAT, total £33.35)** Specially designed case and reflector for Hy-Light **£9.00 P&P £2.00 (£12.65 inc. VAT & P).** Super Hy-Light Strobe (approx. 16 pulses). Price **£40 P&P £2.00 (incl. VAT total £48.30)** Suitable case **£11.00 P&P £2.00 (£14.95 inc. VAT & P).** Super Hy-Light Strobe Kit, details on receipt of foolscap sae.

ZENON FLASHGUN TUBES

Range available from stock. S.A.E. for details.

ULTRA VIOLET BLACK LIGHT FLUORESCENT TUBES

4ft 40 watt £70 inc. VAT £10.00 (all sales only)
2ft 16 watts **£6.20 Post £1.25 (£8.57 inc. VAT & P)**
(For use in standard bi-pin fittings).
12in 8 watt **£2.30 Post 45p (£3.75 inc. VAT & P)**
9in 6 watt **£2.25 Post 45p (£3.10 inc. VAT & P)**
6in 4 watt **£2.25 Post 45p (£3.10 inc. VAT & P)**
Complete ballast unit for either 6", 9" or 12" tube 230V AC op **£4.50 Post 45p (£5.50 inc. VAT & P).** Also available for 12V DC op **£4.50 Post 55p (£6.96 inc. VAT & P).**
400W UV lamp and ballast complete **£38.00 Post £3.50 (£47.73 inc. VAT & P).** 400 watt UV lamp only **£14.00. Post £2.00 (£18.40 inc. VAT & P).**

PROGRAMME TIMERS

240V A.C. operation. 12 individually adjustable cams. **£7.50 + £1.25 P&P (£10.06 inc. V.A.T.) R&T.**
6 adjustable 6 fixed cams. Price **£6.00 + £1.25 P&P (£8.34 inc. V.A.T.) R&T.**

VEEDER-ROOT PRE-SET COUNTER

Type MG1636 3 fig countdown any number from 999 to 001. 230V. A.C. 2 Wheel setting. Changeover Micro-VAT & P.
Circuitry on completion of countdown. Size: Width 85mm. Ht. 65mm. Dpth. 70mm. Price: **£4.00 + 75p P&P (Total incl. VAT £5.46).**

Superior Quality Precision Made NEW POWER RHEOSTATS



New ceramic construction, vitreous enamel embedded wiring, heavy duty brush assembly, continuously varied.

25 WATT 10/25/100/150/250/500/1K(1) **£1.84 inc. VAT.**
1.5kt £2.80 Post 30p (£3.58 inc. VAT & P)
50 WATT 250/450/500 Post 50p (£5.75 inc. VAT & P)
100 WATT 1/5/10/25/50/100/250/300/500/1k(1) 1.5kt(1) 2.5kt(1) 5kt(1) **£7.50 Post 75p (£8.25 inc. VAT & P)**
3.5kt(1) £6.90 Post 75p (£8.80 inc. VAT & P)
Black Silver Skirted Knob calibrated in Nos 1-9. 1/2in dia brass bush. Ideal for above Rheostats 24p ea.

RELAYS

Wide range of AC and DC relays available from stock. Phone or write in your enquiries.

230/240V AC Relays: Arrow 2 c/o 15 amp **£2.50 + 30p P&P (£2.07 inc. VAT & P).**
Open type 3 c/o 10 amp **£1.10 + 25p P&P (£1.55 inc. VAT & P)**
230/240V AC 3c/o, 11 pin base. Sealed 5 amp contacts **£1.35 plus P&P 30p (Total incl. VAT £1.90 inc. VAT)**
D.C. Relay, sealed 6 12V DC 2c/o 10 amp contacts. Single hole fixing. Push on contacts **£1.30 plus P&P 30p. Total incl. VAT (£1.84 inc. VAT)**
12V DC, 2c/o, open type 10amp contacts **£1.25 plus P&P 25p (£1.73 inc. VAT)**
24V DC, 2c/o 7 amp contacts. Sealed, octal base **£1.30 plus P&P 30p (£1.84 inc. VAT)**
Mercury Wetted relay mfg by Clare Type HGSM 1003 18/24V DC 4c/o **£2.00 plus P&P 30p (£2.65 inc. VAT)**
24V Sealed 3 c/o 7 amp 11 pin **£1.38 (£1.78 inc. VAT & P)** (amps - contact rating) P&P on any relay 20p
Very special offer, 0-12V DC, 2 make contacts, new 3 for **£1.75 plus 25p P&P (inc. VAT £2.30)**
Reed Relay mfg. by Alma Type CPR1/D 69V DC 700lt coil. 5 for **£2.50 plus P&P 50p. Total incl. VAT £3.45.**
DC Relays: Sealed 12V 1c/o 7 amp octal base **£1.00 30p P&P (£1.50 inc. VAT & P).** Sealed 12V 3c/o 7 amp 11 pin **£1.40 30p P&P (£1.90 inc. VAT & P).** (amps - contact rating).
KMK Relay 230V AC 1c/o open type 10 amp contact. mfg by 'Keystone' 80p. 25p P&P (£1.21 inc. VAT) 5 for **£3.75 postpaid (£4.32 incl. VAT)**
HELLERMANN DEUTSCH. Hermetically sealed sub. min. Relay 12-24V. D.C. 2 c/o 850lt coil. 0.2 pitch. P.C. mounting. L 20mm. W 10mm. H 12mm. Fraction of maker's price: **£2.50 post paid (£2.88 inc. VAT) N.M.S.**

GEARED MOTORS

7 1/2 rpm KLAXON motors approx. 25lb inch.
28 rpm WYNSCALE motors approx. 20lb inch.
71 rpm WYNSCALE motors approx. 10lb inch.
Above three motors are designed for 110V AC supplied with auto transformer for 240V AC operation **£9.75 (P&P £1.50). Total incl. VAT & P £12.94. N.M.S.**
30 rpm 230/240V AC 50lb in. mf. PARVALUX. Price **£15.50 - £2.00 P&P (£20.13 inc. VAT) N.M.S.**
42 R.P.M. 110 A.C. 50Hz. 100 lb. inch, reversible. Will operate on 230 A.C. Speed reduced at 42 R.P.M. but torque reduces by 50%. Price **£16.50 P&P £2.50 (£21.28 inc. VAT).**



56 rpm. 240V AC. 50lb in. 50Hz 0.7 amp. Shaft length 35mm. Dia. 16mm. Wt. 6kg. 600p. Mf. FRACMO. Price **£15.50 + £2.00 P&P (£20.13 inc. VAT). R & T.**



Totally enclosed in-line gearbox. Length 250mm. Dia. 135mm. 5p in dia. d/a 155mm length 145mm. Tested. Price **£14.00 £2.00 P&P (£18.40 inc. VAT). R & T. Suitable Transformer for 230/240V operation. Price £8.00 + £1.50 P&P (£10.93 inc. VAT).**

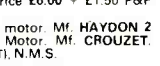
100 rpm 110V AC 115lb in. 50Hz. 2.8 amp. Single phase split capacitor. Immense power. Totally enclosed. Length 250mm. Dia. 135mm. Spindle dia. 15.5mm. length 145mm. Tested. Price **£14.00 + £2.00 P&P (£18.40 inc. VAT). R & T. Suitable Transformer for 230-240V op. Price £8.00 + £1.50 P&P (£10.93 inc. VAT).**

200 rpm 35lbs in 115V 50Hz. Price **£16.50 - £2.00 P&P (£21.28 inc. VAT). N.M.S.** Suitable transformer for 230-240V AC. Price **£8.00 + £1.50 P&P (£8.62 inc. VAT). N.M.S.**

1 rpm 230/240V AC Synchronous geared motor. Mf. HAYDON. 2 rpm 230/240V AC Synchronous geared Motor. Mf. CROUZET. Either type **£3.90 - 40p P&P (£4.95 inc. VAT). N.M.S.**



N.E.C. geared Motor. 152 R.P.M. 200lb. inch. 230 A.C. 50Hz. Ratio 9 to 1. Non reverse incl. capacitors. Fraction of maker's price **£35.00 P&P £4. (£44.85 inc. VAT).** Also available 230 A.C. 60Hz. 182 R.P.M. 200lb in as above. N.M.S.



INCREDIBLE OFFER

Geared Motor. 120 r.p.m. 1/10 h.p. approx. 15lb in. 230V A.C. Cont. Rating. Non-reversible. Size 150mm by 90mm by 85mm. Spindle 8mm dia. 30mm long. Complete with capacitor and relay for max. load starting. Offered at mere fraction of mfrs. price - **£11.50 incl. p&p and VAT.**



230 VOLT AC FAN ASSEMBLY

Powerful continuously rated AC motor complete with 5 blade 6/266 or 4 blade 366 aluminium fan. New reduced price **£4.50 P&P 75p (£6.04 inc. VAT & P) N.M.S.**



24V DC GEARED MOTOR

24V DC 200 rpm 10 lbs/ins continuously rated geared Motor mfg by either Parvalux or Carter. Easily removable from heavy ali chassis containing 9 x 24V DC Solenoids, microswitches, friction clutch, precision gearing, etc. etc. Ex-equipment London Transport Ticket Printer. Price: **£11.00 + £2.00 p. & p. (total incl. VAT £14.95).**

24V D.C. Reversible Motor

Parvalux type SD12L 24 D.C. shunt wound Motor. 133rpm. 65lbs. in. Gearbox type 30-1. Current 6-8 amp. Rating continuous. Will operate on reduced power and speed at 9V D.C. or less. Size Dia. 16mm. Width 150mm. Shaft dia. 16mm. Price **£16.50 plus p&p £2.00 (£21.28 inc. VAT). N.M.S.**
60rpm 100lb in rating. Price as above.
100W Rheostat 1 Ω speed control **£6.90 P&P 75p (£8.80 inc. V.A.T.)**

ROTARY CARBON VANE VACUUM & COMPRESSOR

Direct coupled to 1/3 h.p. 110/115V A.C. Motor 4.2 amp. 1380 rpm. Motor manuf. by A.E.I. Pump by Williams Max Vac 2566 H.G. Max. pressure cont. 10 p.s.i. int. 15 p.s.i. Max. airflow 3 c.f.m. at 60066 H.G. Price **£30.00 + P & P £4.00 (£39.10 inc. VAT) N.M.S.**

Suitable transformer for 240V op. **£10.00 P & P £2.00 (£13.80 incl. VAT) N.M.S.**

WATER PUMP

Mfg. by S.P.A. Astasi of Italy. 220/240V A.C. 50 Hz. 2800 R.P.M. approx. 1/3hp. Centrifugal pump with 1 1/2" inlet/outlet. Delivery approx. 40 gals per min at 10lbs head. (Non self priming.) Price **£16.50. P & P £2.00 (£21.85 inc. VAT). N.M.S.**

VERY EXCEPTIONAL OFFER REDUCTION DRIVE GEARBOX

Ratio 72:1. Input spindle 1/4 in. 1/2 in. Output spindle 2 x 3 in. long. Overall size approx. 120 x 88 x 66mm. All metal construction. Ex. equip. tested. Price **£2.50. P & P 75p (£3.74 incl. VAT).**

AC Wkg TUBULAR CAPACITORS

Fraction of maker's price. Motor start, etc.			
1.5 mfd 440V AC	60p	5.4 mfd. 280V AC	75p
2 mfd 250V AC	60p	6.5 mfd. 280V AC	£1.00
2 mfd 450V AC	75p	7.5 mfd. 200V AC	£1.00
2.2 mfd 440V AC	75p	10 mfd. 250V AC	£1.00
3 mfd 440V AC	£1.00	15 mfd. 250V AC	£1.50
4.1 mfd 440V AC	£1.00 (block)		
5 mfd 400V AC	£1.25	19 mfd. 280V AC	£2.00
5.3 mfd. 160V AC	60p	20 mfd. 250V AC	£2.25

P&P up to 2.5 mfd. 25p. 3 mfd. to 20 mfd. 50p. All plus VAT. N.M.S. Special discount for bulk purchases.

TIME SWITCH VENER TYPE

ERD Time switch 20/250V a.c. 30 amp contact 2 on/2 off every 24 hrs at any manually pre-set time. 36-hour spring reserve and day omitting device. Built to highest Electronic Board Specification. Price **£10.00. P&P £1.50 (£13.23 inc. VAT). R&T.**



SANGAMO WESTON TIME SWITCH

Type S251 200/250 AC 2 on 2 off every 24 hours. 20 amps contacts with override switch. Diameter 4" x 3". Price **£5.50 P&P £1.00 (£10.93 inc. VAT & P).** Also available with solar dia. R&T.

N.M.S. - New Manufacturers' Surplus
R.&T. - Reconditioned and Tested

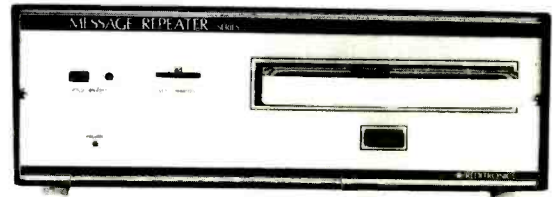
SERVICE TRADING CO

57 BRIDGMAN ROAD, CHISWICK, LONDON W4 5BB, 01-995 1560

NEW FROM REDITRONICS

The well-established
'SERIES TWO' MESSAGE REPEATER
 with 4-track capability
 now has three 'add-on' facilities -

- * AN ELECTRONIC LATCH CU 108
- * A SLIDE- SYNCHRONISER CU 109
- * A 5-WATT AUDIO AMPLIFIER AA116



making it perhaps the most versatile message repeater in its field.



REDIFFUSION REDITRONICS LIMITED

La Pouquelaye, St Helier, Jersey, Channel Islands Tel: Jersey (0534) 30321 Telex: 4192341

U.K. DEPOT: River View Road, Bitterne, Southampton, Hampshire, U.K.

Tel: Southampton (0703) 555566

Distributors for Greater London and Home Counties:

Musitune Ltd., 388 Green Lanes, London N4 1DW Tel: 01-802 1163

TEST INSTRUMENTS

THANDAR -	DM235, DM350, TF040 £5.69
DIGITAL MULTIMETERS (LED) -	TF200, TP600, SC110 £5.69
PDM35 .. £39.68	DM235 .. £60.38
DM350 .. £83.38	DM450 .. £136.85
DIGITAL MULTIMETERS (LCD):	Rechargeable Battery Pack:
TM351 .. £113.85	DM235, DM350, DM450..... £8.63
TM353 .. £96.60	SC110..... £8.63
	Universal Test Lead Set..... £11.27
FREQUENCY METERS:	40 KV Probe £34.44
PFM200 .. £57.27	Connector Pack (PFM200) .. £11.27
TF200 .. £166.75	Probe
PRE-SCALER: TP600..... £43.13	(For SC110, TF040, TF200)
OSCILLOSCOPE: SC110. £159.85	X1 .. £8.05
PULSE GEN.: TG105..... £97.75	X10 .. £8.86
FUNCTION GEN.: TG100. £90.85	Sprung Hook/Trimmer Pack
Instrument Case..... £10.29	(For SC110)..... £2.88
Bench Instrument Rack..... £22.94	SERVICE MANUALS (each)
Carrying Cases: £3.00*
DM235, DM350, DM450..... £8.86	* No V.A.T. on manuals
PDM35, TM354, PFM200..... £3.45	All prices include V.A.T. For
TM351, TM353, TF040..... £6.84	orders over £20, p. & p. FREE
TF200, TG105, TG100..... £6.84	(U.K.); under £20 p. & p. £1
TM352..... £2.01	(U.K.).
SC110..... £8.86	All prices correct at 1-4-81. E
Mains Adaptors:	& OE.
PDM35, DM450, PFM200..... £5.69	

Many more instruments available in the LEADER and TMK ranges
 Send for catalogue 30p (including postage)
 Cash with order

DAROM SUPPLIES

Open: Monday to Friday 9 a.m.-5.30 p.m.
 4 Sandy Lane, Stockton Heath
 WARRINGTON, WA4 2AY, CHESHIRE
 Telephone: (0925) 64764

WW - 048 FOR FURTHER DETAILS

FLOPPY DISK DRIVES

New Low Prices!
 Unbelievable but True!
 Read On!

SIEMENS FDD - 100-8/FDD - 200-8

Fully Shugart Compatible Siemens 8" single and double sided disk drives are available now with unbeatable prices at single unit pricing.

Note these specifications:

- ★ TRACK 00 SENSING
- ★ ACTIVITY INDICATION
- ★ MECHANICAL END STOPS AT TRACKS 00 AND 76
- ★ AUTO WRITE CURRENT SWITCHING AT TRACK 43
- ★ WRITE PROJECT CIRCUITRY
- ★ AUTO DISK EJECTION
- ★ FAIL SAFE INTERLOCK WHICH PREVENTS THE COVER FROM CLOSING ON A PARTLY INSERTED DISKETTE

FD100-8	SINGLE DENSITY	DOUBLE DENSITY
Capacity per disk unformatted	400 K Bytes 3.2MBit	800 KBytes 6.4Mbits
Bit Density inner track	3268 BPI innertrack	6536 BPI inner track
Recording Method	FM	MFM
Transfer Rate	250KBit/sec	500 KBits/sec
Head Engine Time	25 MS	
Access Time, Track to Track	3 MS	
Settling Time	12 MS	
Number of Recording Surfaces	1	
MTBF	6000 hrs	
MTTR	20 mins	
Power requirements		
AC-Power	240V, 50HZ	
DC-Power	+24V @d 1.8 amps	
DC-Power	+5V @ 1.3 amps	
	5.9kg	
FD200-8		
Same as above except Capacity per disk unformatted.	800 KBytes 6.4MBIT	1600 KBytes 12.8 MBits
Number of Recording Surfaces	2	

PRICING FDD-1008 FROM £249.95 EACH
FDD-200-8 FROM £360.00 EACH

IRVINE BUSINESS SYSTEMS

P.O. BOX 5
 IRVINE, Ayrshire

TEL: (0294) 75000
 TELEX: 777582

*Reference Number 2235

WW - 090 FOR FURTHER DETAILS



COMPUTER WAREHOUSE

**NOW OPEN
MONDAY-SATURDAY
9.30-5.30**

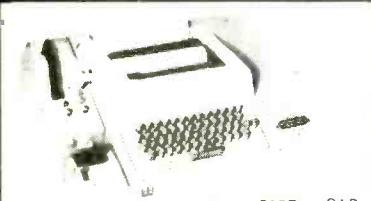
RAM AND EPROM NEW LOW VAT INCLUSIVE PRICES

2716 5v Rail	£9.50	4116	200 NS 16KX1 DYN.	8 for £19.95
2716 3 Rail	£8.50	2114L-3	300 NS 1KX4 ST.	8 for £22.50
2708 450 NS	£4.50	2102L-3	650 NS 1KX1 ST.	8 for £ 5.50
2708 Ex Equip	£2.25	TMS4030JL	300 NS 4KX1 DYN	8 for £ 9.95

All devices full spec. and guaranteed. Bulk enquiries welcome.

In stock now test equipment, microprocessors, teletypes, transformers, power supplies, scopes, sig. gen's, motors, peripheral equipment, I.C.'s, tools, components, variacs, keyboards, transistors, microswitches, V.D.U.'s sub-assemblies + thousands of other stock lines. Just a mere fraction of our vast range, is displayed below: 100's of bargains for callers.

TELETYPE ASR33 I/O TERMINALS



From £195 + CAR + VAT

Fully fledged industry standard ASR33 data terminal. Many features including: ASCII keyboard and printer for data I/O, auto data detect circuitry, RS232 serial interface, 110 baud 8 bit paper tape punch and reader for off line data preparation and ridiculously cheap and reliable data storage. Supplied in good condition and in working order. Optics: Floor stand £12.50 + VAT. Sound proof enclosure £25.00 + VAT

ICL TERMIPRINTER 300 BAUD TERMINALS



PRICES
REDUCED

ONLY
£295
+ CAR
+ VAT

Made under licence from the world famous GE Co. The ICL Termiprinter is a small attractive unit with so many features it is impossible to list them in the space available! Brief spec. as follows: RS232 serial interface, switchable baud rates 110, 150, 300 (30 cps), upper and lower case correspondence type face, standard paper, almost silent running, form feed, electronic tab settings, suited for word processor applications plus many more features. Supplied in good condition and in working order. Limited quantity.

SCOOP PURCHASE 12" VIDEO MONITORS



CONNECT
DIRECT TO
YOUR MICRO

Made by the "BALL MIRATEL" CORPORATION USA the CD12 is a self contained, mains powered chassis professional monitor. All controls are inbuilt on a single PCB with exception of the brightness control which can be brought out for external use. Many features such as composite video, quoted bandwidth of 19 Mhz, superb linearity and definition make this a must for any MICRO/CCTV application. Brand new and boxed only + carriage £7.50 + VAT. **£97.50 + VAT** Input harness, brightness pot and connector £2.50 + VAT. Dimensions 9"H x 11"D x 11 1/2"W. **HURRY WHILE STOCKS LAST**

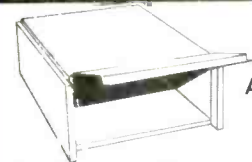
EX STOCK SOFTY

EPROM BLOWER
Software development system invaluable tool for designers, hobbyists, etc. Enables open heart surgery on 2716, 2708 etc. Blows, copies, reads EPROMS or emulates EPROM/ROM/RAM in situ whilst displaying contents on domestic TV receiver. Many other features. **£115 + carr. + VAT.** Optional 2716 Function Card £40 + VAT. PSU £20 + £1.50 carr. + VAT. Write or phone for more details.

3K x 8 STATIC RAM CARDS

BRAND NEW PCB organised as a 3K x 8 page memory with 24 socketed 2102-L 650ns Rams, 4 Eprom Sockets and 16 TTL Chips for decoding. All IC's guaranteed. Complete with circuit only **£24.50 + £1.75 P.P.** Dimensions 264 x 195mm. 0.1" connector.

EQUIPMENT CASES



GIVE
YOUR
M.P.U.
A HOME
ONLY
£9.95
+ 1.85 pp

Superb professional fully enclosed, made for the G.P.O. to the highest standard, offered at a fraction of their original cost they feature aluminium sides, hinged removable front panel, which can be secured by 2 screws to prevent prying fingers. All are finished in two tone G.P.O. grey and although believed brand new may have minor scuff marks/scratches due to bad storage. Dimensions 16"D x 6 1/2"H x 14 3/4"W

NATIONAL MA1012 LED CLOCK MODULE

★ 12 HOUR
★ ALARM
★ 50/60 HZ



The same module as used in most ALARM/CLOCK radios today, the only difference is our price! All electronics are mounted on a PCB measuring only 3" x 1 1/2" and by addition of a few switches and 5/16 volts AC you have a multi function alarm clock at a fraction of cost. Other features include snooze timer, am pm, alarm set, power fail indicator, flashing seconds cursor, modulated alarm output etc. Supplied brand new with full data only Suitable transformer £1.75. **£5.25**

SEMICONDUCTOR 'GRAB BAGS'

Amazing value mixed semiconductors, include transistors, digital, linear I.C.'s, triacs, diodes, bridge recs. etc. etc. All devices guaranteed brand new, full spec. with manufacturers markings, fully guaranteed 50 + BAG £2.95 100 + BAGS £5.15

MUFFIN FANS

Keep your equipment Cool and Reliable with our tested ex-equipment "Muffin Fans" almost silent running and easily mounted. Available in two voltages. 110 V.A.C. £5.05 + pp 90p OR 240v A.C. £6.15 + pp 90p DIMENSIONS 4 1/2" x 4 1/2" x 1 1/2"

ELECTRONIC
COMPONENTS
& EQUIPMENT

66%
DISCOUNT

Due to our massive bulk purchasing programme which enables us to bring you the best possible bargains, we have thousands of I.C.'s, Transistors, Relays, Cap's, P.C.B.'s, Sub-assemblies, Switches, etc. etc. surplus to our requirements. Because we don't have sufficient stocks of any one item to include in our ads., we are packing all these items into the "BARGAIN PARCEL OF A LIFETIME" Thousands of components at giveaway prices! Guaranteed to be worth at least 3 times what you pay plus we always include something from our ads. for unbeatable value!! Sold by weight

2.5kls £ 4.75 + pp £1.25 5kls £ 6.75 + pp £1.80
10kls £11.75 + pp £2.25 20kls £19.99 + pp £4.75

OP PRESS - STOP PRESS - STOP PRESS - ST STEP INTO THE 80's

WITH TOMORROW'S WORLD TECHNOLOGY TODAY
The "TANTEL" Post Office approved
PRESTEL-VIEWDATA ADAPTOR

At last this amazing piece of micro technology is available at a price you can afford. Just connect to the aerial socket of any colour or black and white domestic TV receiver and to your Post Office installed jack socket and you are into the exciting world of PRESTEL. Via simple push button use you are able to view a staggering 170,000 pages of up to the minute information on many services and utilities, order goods from companies, even play games!! All this and more without ever leaving your armchair!

ONLY £170 + £1.75 carr + VAT Send £197.50p

Note: When ordering please give the address and telephone number where the Tantel adaptor is to be used, we will arrange all details with the Post Office for installation of the jack socket (normally within 7 days).

JUST IN

Secondhand chassis 9" Blue-best mains powered video monitors, composite video input with inbuilt 5v 3 amp DC P.S.U. Tested, but unguaranteed

£39.99 + £7.50 carriage
Complete with circuit.

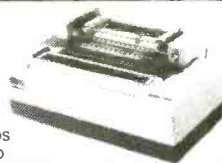
MANUFACTURERS ONLY

100,000 EX STOCK Miniature relays continental series by Keyswitch, etc. all contact forms all impedances.

CALL FOR QUOTES

WE'VE BOUGHT ANOTHER SHIPMENT! SAVE OVER £1300!! DZM 180 CPS HIGH SPEED MATRIX PRINTERS

This must be one of our greatest bulk deals, this fabulous printer is listed at over £1800 and judging by the construction we are not surprised. Made under license from the LOGABAX Co. the DMZ180 is an exceptionally sturdy high speed 180 cps matrix printer, capable of printing up to 132 characters per line on standard "Fan Fold" sprocket fed paper. A precision 7 x 7 matrix head using ruby bearings, gives a clear concise type font. Many other features include internal buffer for high throughput, standard ink ribbon, software controllable form and tab functions, standard "CENTRONICS" ASCII parallel interface etc. etc.



Optional extras Floor Stand £30.00 + VAT, Paper Stand £18.00 + VAT

ELECTRONICS

Dept. W.W. 64-66 Melfort Rd., Thornton Heath, Croydon, Surrey. Tel: 01-689 7702 or 01-689 6800

MAIL ORDER INFORMATION

Unless otherwise stated all prices inclusive of V.A.T. Cash with order. Minimum order value £2.00. Prices and Postage quoted for UK only. Where post and packing not indicated please add 60p per order. Bona Fida account orders minimum £10.00. Export and trade enquiries welcome. Orders despatched same day where possible. Access and Barclaycard Visa welcome.

MEMOREX/BASF 7 MB HARD DISK DRIVES

Model 630-1B disk drives by Memorex BASF, TTL signals in and out, high speed, IBM 2311 compatible. Sold in good condition but unguaranteed.

£175.00 + VAT
BUYERS COLLECT

"THE MULTIVOLT PSU"

The PSU to end all your MPU/LAB requirements, made by "Weir" Electronics at over £200.00. The supply features full regulation, current limit, and overvoltage protection on all 7 outputs, just look at the spec.

+5v @ 12 amps, +5v @ 4.5 amps, +5v @ 4 amps, +30v @ 2 amps, +12v @ 2.5 amps, -12v @ 2.5 amps and -9v @ 1 amp.

A superb unit supplied in two grades, complete with data.
Brand New, Fully Tested **£59.99**
Used and Untested **£39.99**
Carriage and Insurance **£7.50**

RCA FULLY CASED ASCII CODED KEYBOARDS



Straight from the U.S.A. made by the world famous R.C.A. Co., the VP600 Series of cased freestanding keyboards meet all requirements of the most exacting user, right down to the price! Utilising the latest in switch technology. Guaranteed in excess of 5 million operations. The keyboard has a host of other features including full ASCII 128 character set, user definable keys, upper/lower case, rollover protection, single 5V rail, keyboard impervious to liquids and dust, TTL or CMOS outputs, even an on-board tone generator for keypress feedback, and a 1 year full R.C.A. backed guarantee.

VP601 7 bit fully coded output with delayed strobe, etc **£43.95**
VP611 Same as VP601 with numeric pad **£54.95**
VP606 Serial, RS232, 20MA and TTL output, with 6 selectable Baud Rates **£60.95**
VP616 Same as VP606, with numeric pad, Post, Packing and Insurance. **£72.50**
£1.95

ORDER NOW OR SEND FOR DETAILS.

5v D.C. POWER SUPPLIES

Following the recent "SELL OUT" demand for our 5v 3 amp P.S.U. we have managed to secure a large quantity of ex-computer systems P.S.U.'s with the following spec.: 240 or 110v A.C. input. Outputs of 5v @ 3-4 amps, 7.2v @ 3 amps and 6.5v @ 1 amp. The 5v and 7.2v outputs are fully regulated and adjustable with variable current limiting on the 5v supply. Unit is self contained on a P.C.B. measuring only 12 x 5 x 3. The 7.2v output is ideal for feeding "on board" regulators or a further 3 amp LM323K regulator to give an effective 5v @ 7 amp supply. Supplied complete with circuit at only £10.95 + £1.75pp. Believed working but untested, unguaranteed.

SIEMENS

The all-standard TV aerial tester – for both the professional and enthusiast

The Siemens S43202-M-C TV Antenna Level Meter is a portable, self-contained unit which greatly simplifies antenna orientation to receive TV signals including those of foreign transmission. Signals are visually monitored on the integral 70mm diameter screen, giving the facility of detecting ghosting, unlike meters relying on directional pointers.

The unit is very accurate, yet remarkably simple to operate and embodies all the technological sophistication allied with supreme reliability for which Siemens is recognised.

Contact Telecommunications Test Equipment Department at:
Siemens Limited, Siemens House, Windmill Road, Sunbury-on-Thames, Middlesex.
Tel. Sunbury-on-Thames 85691
Telex 8951091



A Siemens tester for all standards

WW – 073 FOR FURTHER DETAILS

SONICOR



ULTRASONIC CLEANERS

SC50

- CLEANS ELECTRONIC COMPONENTS FAST
- P.C.B'S, WIREWOUND POTS, SWITCHES RELAYS ETC.
- RUGGED 55KHz GENERATORS AND LEAD ZIRCONATE TRANSDUCER
- SOLVENT CLEANING FLUIDS AVAILABLE
- UNIT ILLUSTRATED IS 2 LTR. CAPACITY (APPROX.) AND COSTS £97.
- FULL RANGE OF SIZES AVAILABLE INCLUDING INDUSTRIAL UNITS

DETAILS FROM

S2

Orme Scientific Limited



P.O. Box 3
Stakehill Industrial Estate
Middleton,
Manchester M24 2RH
Tel: 061-643 9134/5/6
Telex: 669846

WW – 081 FOR FURTHER DETAILS

CB

ACCESSORIES

ANTENNAS, COAX
CONNECTORS MIKES
SWR METERS BOOKS
40 & 80 CH RECEIVERS

SPILTH ELECTRONICS

3D Barley Market Street
Tavistock, Devon

Phone 0822 5865

Telex 45236

WW – 092 FOR FURTHER DETAILS

Table with columns: TTLS by TEXAS, 74296, 200p, 4021, 110p, etc. Lists various Texas Instruments TTL components and their prices.

Table with columns: 93 SERIES, 74S SERIES, 74LS114, 120p, etc. Lists various 93 Series and 74S Series components and their prices.

Table with columns: TRANSISTORS, BFR40, 25p, TIP30A, 48p, etc. Lists various transistor components and their prices.

Table with columns: DIODES, BY127, 12p, BYX36, 300p, etc. Lists various diode components and their prices.

Table with columns: THYRISTORS, 1A 50V, 70p, etc. Lists various thyristor components and their prices.

NEW RETAIL SHOP
367 Edgware Road, W2
Open: 9.30-5.30

Books by Texas Instruments
Understanding Digital Electronics £7.00
Power Semiconductor Data Book £6.00

TECHNOMATIC LTD.
17 BURNLEY ROAD, LONDON NW10
Tel: 01-452 1500/01-456 6597

MEET SUNITA'S FAMILY OF MONITORS



Sunita is very proud to announce that her low-cost Monochrome Video and Data Display Monitors are of British Manufacture.

Our range consists of the following versions:

WIRE FRAME

MPM2/5", 6", 9", 12" Composite video or separate video, line sync and field sync.
MPM 3/5", 6", 9", 12" Direct drive.
These can also be supplied with Integral power supply at extra cost.

CHASSIS TYPE

MPM2/6", 9", 12" Composite video.
Separate video, line sync and field sync can be supplied at small extra cost.

VDU TYPE

MPM2/9", 12". To your choice of signal drive.
We can also give our attention to your special requirements. We are here to surprise you with our best quality, high performance and low cost.

For further information:
RING STAINES (0784) 57007

Or write to:

SUNITA ELECTRONICS LTD.
UNIT 18, STAINES CENTRAL TRADING ESTATE
STAINES, MIDDX. TW18 4XE

WW - 078 FOR FURTHER DETAILS

**ANY MAKE-UP
OR COPY
QUERIES CONTACT
BRIAN BANNISTER
01-661 3500
extension 3561**

ELECTRONIC EQUIPMENT CO.

SPRINGFIELD HOUSE
TYSSEN STREET
LONDON E82 ND
Tel. 01-249 5217
Tlx. 8953906

MANUFACTURERS SURPLUS LOW VOLTAGE ELECTROLYTICS

Per 10		Per 10	
33uf/63V Radial.....	.24	22uf/6.3V Axial.....	.24
100uf/6.3V.....	.30	33uf/.....	.27
470uf/6.3V.....	.48	100uf/.....	.30
10 uf/10V.....	.16	33uf/10V.....	.28
22uf/10V.....	.30	47uf/.....	.30
47uf/10V.....	.35	100uf/.....	.38
1000uf/10V.....	.66	330uf/.....	.80
3300uf/10V.....	1.30	1000uf/.....	.80
100uf/16V.....	.35	22uf/16V.....	.28
220uf/16V.....	.45	33uf/.....	.30
330uf/16V.....	.50	330uf/.....	.60
10uf/50V.....	.25	1000uf/.....	1.00
33uf/50V.....	.40	22uf/35V.....	.27
330uf/50V.....	1.80	22uf/.....	.40
470uf/50V.....	1.75	33uf/.....	.45

MIXED DIALECTRIC CAPACITORS

Per 10	
0.22 600 V.D.C./300V.A.C. Axial.....	1.00
0.0022 1000V.D.C./600V.A.C.....	.70
0.0033 1000V.D.C./600V.A.C.....	.70
0.0047 1500V.D.C./300V.A.C.....	.70
0.022 1000V.D.C./300V.A.C.....	.80
0.047 1000V.D.C./300V.A.C.....	.80

Thorn GC 2278 15uf 350V Capacitor £2.50 ea. + 30p P/P (£3.22 inc. VAT).
Sprague Powerlytic Type 36D 12000uf 15 V.D.C. £2.50 ea. + 30p P/P (£3.22 inc. VAT).
30p P/P + V.A.T. on all orders.

SPECIAL OFFER

15 Button Universal telephone modern G.P.O. design, grey body with brown handset, brand new and unused, complete with connecting box, £10 each + £1.00 P/P (£12.65 ea. inc. V.A.T.).

RELAYS

12 V.D.C. Enclosed type, 4 pole. C/O £1.50 plus 25p P/P (£2.00 inc. VAT).
12 Volt miniature low profile 2 pole. C/O £2.00 plus 25p P/P (£2.60 inc. VAT).
24 V.D.C. plug in series 890f 4 pole C/O £1.50 plus 25p P/P (£2.00 inc. VAT).
110 V.D.C. Plug in A.M.F. 4 pole C/O £1.75 plus 25p P/P (£2.30 inc. VAT).
220/240 V.A.C. Relay by Siemens 2 pole C/O. Heavy duty contacts completely enclosed, £2.00 plus 30p P/P (£2.65 inc. VAT).
Osmor Reed Relay 650f Coil 12 V.D.C. N/O Contacts P.C. mounting 50p + 15p P/P (0.75 inc. VAT).

MICRO SWITCHES (Brand new).

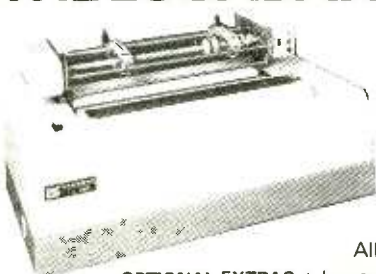
Button type Sub Miniature. Cherry E61 5 amp rating at 250 V.A.C. £3.00 for 10 (£3.45 inc. VAT and Post). Honeywell V3s Button type amp rating, £3.00 for 10 (£3.45 inc. VAT and Post).
Burgess WR22 Series Button Type, 15 amp, 250 V.A.C. £5.00 for 10 (£5.75 inc. VAT and Post).

CABLES AND FLEXIBLES

13/0.2mm polarised fig. 8 speaker flex. £5.50 per 100 metres plus 50p P/P (£6.90 inc. VAT).
7/0.2mm flexible connecting wire P.V.C. covered, £1.75 per 100 metres, 25p P/P (£2.30 inc. VAT).
1/0.6mm Solid connecting wire P.V.C. covered, £1.75 per 100 metres plus 25p P/P (£2.30 inc. VAT).

WW - 076 FOR FURTHER DETAILS

THE PRINTER SCOOP OF THE YEAR, SAVE OVER £1400 THE LOGABAX Z80 MICROPROCESSOR CONTROLLED



LX 180L MATRIX PRINTER

A massive bulk purchase enables us to offer you this superb professional printer at a fraction of its recent cost of over £2000. Utilising the very latest in microprocessor technology, it features a host of facilities with all electronics on one plug in P.C.B. Just study the specification and you will instantly realise it meets all the requirements of the most exacting professional or hobbyist user.

STANDARD FUNCTIONS ★ Full ASCII character set ★ Standard ink ribbon ★ RS232/V24 serial interface - 7 xtl controlled baud rates up to 9600 ★ 194 characters per line ★ Parallel interface ★ Handshakes on serial and parallel ports ★ 4 Type fonts, italic script, double width, italic large, standard ★ Internal buffer ★ Internal self test ★ 170 CPS ★ Variable paper tractor up to 175" wide ★ Solid steel construction ★ All software in 2708 eproms easily reconfigured for custom fonts etc.

All this and more, **not** refurbished but **BRAND NEW** At Only **£525** + carriage and ins. **£18.00** + VAT

OPTIONAL EXTRAS ★ Lower case £25.00 ★ 16K buffer £30.00 ★ Second tractor for simultaneous dual forms £85.00 ★ Logabax maintenance P.O.A. All prices subject to VAT - AVAILABLE ONLY FROM:

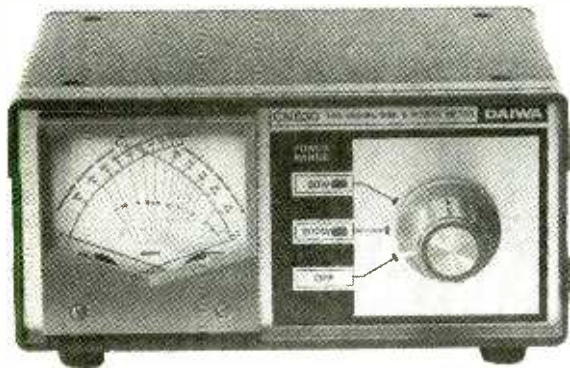
DATA ELECTRONICS
64-66 Melfort Rd, Thornton Heath
Croydon, Surrey. 01-689 7702/6800
Telex 27924 Ref Fisher

& COMPUTER APPRECIATION
86 High Street, Bletchingley
Surrey
0883 843221

WW - 083 FOR FURTHER DETAILS

DAIWA POWER METERS

- CN620A 1.8-150 MHz up to 1KW£52.81 inc. VAT
- CN630 140-450 MHz up to 200W£71.00 inc. VAT
- CN650 1.2-2.5 GHz up to 20W.....£95.00 inc. VAT



Carriage on Meters £1.25
Carriage on Mike System £1.50

Until recently, the in-line measurement of RF power and SWR involved calculation or the use of two instruments. Now, DAIWA have introduced a range of power meters which provide an elegant solution to the whole problem of RF measurements. Utilising two toroidal current transformers to detect true forward and reflected power, and feeding the outputs to a twin movement meter with crossed pointers, it is now possible to measure forward power (LH scale), reflected power (RH scale) and SWR (where the pointers cross) at a single glance. The DAIWA CN series power meters represent the ultimate power meter for the professional and amateur alike, and are indispensable in the fully equipped station. Three models are currently available covering frequencies right up to 2.5GHz so there's one for you whatever your interests.

DAIWA CORDLESS INFRARED MIKE

- RM940 £45.00 inc. VAT
- S9 Spare Sensor £6.50 inc. VAT
- M9 Spare Mike £13 inc. VAT
- Windshield for Mike 75p each

The Daiwa infrared mike system, comprising of a control box, sensor and infrared mike enables you to dispense with the hand mike and cable when operating in your car or shack. By using an infrared beam audio is transmitted from the mike to the sensor and then to the control box which activates the transmitter. To transmit, press the locking switch on the mike and talk. To receive, release the switch and your rig immediately returns to receive. When you have finished your contact return the mike to its slot in the control box and the mike nicad battery is maintained at full charge. For those of you who like fresh air and drive with all windows open there is a matching wind shield available at an additional 75p. So there we are, the latest in technology to bring safety to your mobile operation, the Daiwa infrared mike.

POWER SUPPLIES



JRC Japan Radio Co., Ltd.
Since 1915

NRD 515

The NRD 515 is a PLL-synthesised communications receiver of the highest class featuring advanced radio technology combined with the latest digital techniques.

The new NRD 515 is full of performance advantages including general coverage, all modes of operation, PLL digital VFO for digital tuning, 24-channel frequency memory (option), direct mixing, pass-band tuning, etc. JRC's 65 years of radio communications experience will give you "the world at your fingertips."

The NRD 515 is but a single item from the JRC product range which extends all the way to full marine radio installations for supertankers.



THE 3 MODELS

ALL MODELS 240 VOLTS A.C. INPUT

- The PP1305 4 amp 13.8 volts d.c. £18.40 inc. VAT
- The PP137 7 amp 13.8 volts d.c. £32.00 inc. VAT
- The PP1310 10 amp 13.8 volts d.c. £49.50 inc. VAT
- Carriage £2



- NRD 515 SYNTHESISED HF RECEIVER £948.75 inc. VAT
- NHD 515 MULTI CHANNEL MEMORY UNIT £161.00 inc. VAT
- NVA 515 LOUDSPEAKER..... £27.60 inc. VAT
- CFL 260 600Hz CW FILTER £34.50 inc. VAT

LOWE ELECTRONICS

CHESTERFIELD ROAD, MATLOCK DE4 5LE. TEL. 0629 2817



WW - 070 FOR FURTHER DETAILS



NOW

DOUGLAS TRANSFORMERS FROM TITAN

NEW FRANCHISE AT FANTASTIC PRICES - EX STOCK
WE GUARANTEE THESE PRICES TO BE UNBEATABLE ANYWHERE!!

12/24V RANGE PRI 220/240V SEC. VOLTS AVAILABLE 3 → 15 → 0 → 15 OV 12V 15V OV 5V 9V 15V				15/30V RANGE PRI 220/240V SEC. VOLTS AVAILABLE 3 → 15 → 0 → 15 OV 12V 15V OV 5V 9V 15V				25/50V RANGE PRI 120/220/240V SEC. VOLTS AVAILABLE 5 → 25 → 0 → 25 OV 20V 25V OV 8V 15V 25V				30/60V RANGE PRI 120/220/240V SEC. VOLTS AVAILABLE 6 → 30 → 0 → 30 OV 24V 30V OV 10V 15V 30V			
TYPE	AMPS	PRICE	P/P	TYPE	AMPS	PRICE	P/P	TYPE	AMPS	PRICE	P/P	TYPE	AMPS	PRICE	P/P
242	0.3	1.70	0.40	112	15	2.47	0.95					124	1	2.92	1.43
213	10	2.32	0.70	79	2	3.16	0.95	102	10.50	2.88	1.43	126	2	5.78	1.43
71	2	2.51	0.90	3	4	5.64	1.43	103	2	3.80	1.43	127	4	7.13	1.73
18	4	3.24	1.43	20	6	6.59	1.73	104	4	7.04	1.73	125	6	10.73	1.90
68	3	3.15	1.43	21	8	7.80	1.73	105	6	8.33	1.90	123	8	12.28	2.20
85	5	5.52	1.43	11	10	9.68	1.90	106	8	11.18	1.90	40	10.5	15.55	2.20
7C	6	6.26	1.43	51	12	10.97	2.05	107	12	14.79	2.20	120	12	17.72	2.35
106	8	7.36	1.73	88	16	14.85	2.20	118	16	20.49	2.55	121	16	25.09	2.65
72	10	8.05	1.65	89	20	16.93	2.35	119	20	24.52	2.55	122	20	29.07	4.00
116	12	8.57	1.90	90	24	18.84	2.55	109	24	29.39	3.50	189	24	33.51	4.60
17	16	10.53	2.05	91	30	21.56	2.55								
115	20	13.69	2.05	92	40	30.08	3.50								
187	30	17.72	2.45												
232	40	25.16	3.50												
226	60	35.35	4.00												

48/96V RANGE PRI 120/220/240V SEC. VOLTS AVAILABLE 12 → 48 → 0 → 48 OV 36V 48V OV 36V 48V				AUTOTRANSFORMERS 240/220-115V 65VA - 10KVA OV 115V 220V 240V				CASED AUTOTRANSFORMERS 240V LEAD IN: 115V 2PIN SOCKET OUT				LINE ADJUSTMENT AUTOTRANSFORMERS 0 200 210 220 230 240 250			
TYPE	AMPS	PRICE	P/P	TYPE	VA	PRICE	P/P	TYPE	VA	PRICE	P/P	TYPE	VA	PRICE	P/P
430	1	4.14	1.43	25	65	3.82	1.10	56W	20	5.52	0.58	415C	50	2.13	0.58
431	2	7.22	1.73	64	80	4.40	1.10	64W	80	7.63	1.43	416C	100	3.13	1.10
432	4	11.87	2.05	4	150	5.64	1.43	4W	150	9.63	1.73	417C	200	3.65	1.43
433	6	14.47	2.20	69	250	7.13	1.73	69W	250	11.98	1.90	418F	350	5.63	1.43
434	8	18.43	2.45	53	350	8.97	1.90	67W	500	18.67	2.20	419F	500	6.13	1.73
435	10	26.16	2.65	67	500	11.09	2.20	84W	1000	26.90	2.65	420E	750	7.60	1.90
436	12	32.75	4.00	83	750	12.42	2.20	95W	2000	48.45	7.00	421F	1000	10.55	2.05
437	16	35.77	4.60	84	1000	16.88	2.65	73W	3000	69.18	8.00				
				95	2KVA	31.26	4.00								
				73	3	61.27	4.75								
				57	5	87.42	6.60								
				101	10	159.45	13.00								

MAINS ISOLATORS (SAFETY SCREEN)				MAINS ISOLATORS (SAFETY SCREEN)				MAINS ADAPTORS			
TYPE	VA	PRICE	P/P	TYPE	VA	PRICE	P/P	TYPE	VA	PRICE	P/P
149F	60	7.35	1.73	243F	60	7.35	1.43	277PI	750	5.50	5.50
105F	100	8.61	1.73	244F	100	8.61	1.73	279PI	1500	50.60	7.00
151F	200	12.15	2.05	245F	200	12.15	2.05	280PI	2250	68.26	7.00
152F	250	14.75	2.20	246F	250	14.75	2.20				
153F	350	18.22	2.55	247F	350	18.22	2.55				
154F	500	22.70	2.65	248F	500	22.70	2.65				
155F	750	32.08	7.00	249F	750	32.08	7.00				
156F	1000	41.26	7.00	250F	1000	41.26	8.00				

WW - 068 FOR FURTHER DETAILS

SEND TODAY 50p (REFUNDABLE WITH FIRST ORDER) FOR CATALOGUE
TITAN TRANSFORMERS AND COMPONENTS
Dept. WW CENTRAL HALL CHAMBERS GRIMSBY S.HUMBERSIDE
MAIL ORDER ONLY - PRICES INCLUDE 15% VAT

The exhibition for the professional radio amateur.

May 28th & 29th 10am-6pm, 30th 10am-5pm.



RSGB 1981 EXHIBITION AT ALEXANDRA PALACE

Whether you are a professional involved in electronics, a dedicated radio amateur, short wave listener or interested in any aspect of electronics as a hobby, this specialist exhibition is well worth a visit.

Find out how radio amateurs bounce signals off the moon and off meteors as they enter the earth's atmosphere, and if you feel inspired by that you can also find out how to join the ranks of over 1 million radio amateurs world wide

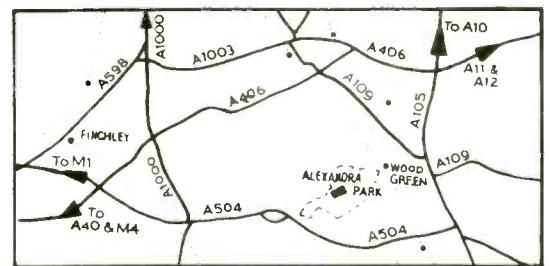


Discover the world of

AMATEUR RADIO

with RSGB

Radio Society of Great Britain, 35 Doughty Street, London WC1N 2AE.



How to get there

Public Transport. Alexandra Palace is easily reached by road and has free car and coach parking. Bus services 29, 41, 102, 123, 134, 212, 221 and 244 are within easy walking distance, and service W3 connects with the Underground at Wood Green (Piccadilly Line) and Finsbury Park (Piccadilly and Victoria Lines).

By Car. A.P. is near Muswell Hill or Wood Green, off the North Circular Road.

Talk-in: GB2AP.
FM S22 or SU8 (initial calls). SSB 144.28MHz (listening watch).

PRINTED CIRCUITS

FOR WIRELESS WORLD PROJECTS

- U.h.f. television tuner—Oct. 1975—1 d.s. **£8.50**
- Stripline r.f. power amp—Sept. 1975—1 d.s. **£5.00**
- Audio compressor/limiter—Dec. 1975—1 s.s. (stereo) **£4.25**
- F.m. tuner (advanced)—April 1976—1 s.s. **£5.00**
- Cassette recorder—May 1976—1 s.s. **£5.00**
- Audio compander—July 1976—1 s.s. **£4.25**
- Time code clock—August 1976—2 s.s. 3 d.s. **£15.00**
- Date, alarm, b.s.t. switch—June 1977—2 d.s. 1 s.s. **£9.50**
- Audio preamplifier—November 1976—2 s.s. **£8.50**
- Additional circuits—October 1977—1 s.s. **£4.00**
- Stereo coder—April 1977—1 d.s. 2 s.s. **£8.50**
- Morse keyboard and memory—January 1977—2 d.s. (logic board 10 1/4 in. x 5 in.) (keyboard and matrix 13 in. x 10 in.) **£14.00**
- Low distortion disc amplifier (stereo)—September 1977—1 s.s. **£2.00**
- Low distortion audio oscillator—September 1977—1 s.s. **£3.50**
- Synthesized f.m. transceiver—November 1977—2 d.s. 1 s.s. **£12.00**
- Morsemaker—June 1978—1 d.s. **£4.50**
- Metal detector—July 1978—1 d.s. **£3.75**
- Oscilloscope waveform store—October 1978—4 d.s. **£18.00**
- Regulator for car alternator—August 1978—1 s.s. **£2.00**
- Wideband noise reducer—November 1978—1 d.s. **£5.00**
- Versatile noise generator—January 1979—1 s.s. **£5.00**
- 200MHz frequency meter—January 1979—1 d.s. **£7.00**
- High performance preamplifier—February 1979—1 s.s. **£5.50**
- Distortion meter and oscillator—July 1979—2 s.s. **£5.50**
- Moving coil preamplifier—August 1979—1 s.s. **£3.50**
- Multi-mode transceiver—October 1979—10 d.s. **£35.00**
- Amplification system—October 1979—3 preamp 1 poweramp **(£4.20 each) £16.00**
- Digital capacitance meter—April 1980—2 s.s. **£7.50**
- Colour graphics system—April 1980—1 d.s. **£18.50**
- Audio spectrum analyser—May 1980—3 s.s. **£10.50**
- Multi-section equalizer—June 1980—2 s.s. **£8.00**
- Floating-bridge power amp—Oct. 1980—1 s.s. (12V or 40V) **£4.00**
- Nanocomp—Jan. 1981—1 d.s. 1 s.s. **£9.00**
- Logic probe—Feb. 1981—2 d.s. **£6.00**

Boards are glassfibre, roller-tinned and drilled. Prices include V.A.T. and U.K. postage.

Airmail add 20%, Europe add 10%, Insurance 10%.

Remittance with order to:

M. R. SAGIN, 23 KEYES ROAD, LONDON, N.W.2

WW - 079 FOR FURTHER DETAILS

RECHARGEABLE BATTERIES

TRADE ENQUIRIES WELCOME

Full range available to replace 1.5 volt dry cells and 9 volt PP type batteries, SAE for lists and prices. £1.45 for booklet, "Nickel Cadium Power," plus catalogue.

★ New sealed lead range now available ★

Write or call at:

SANDWELL PLANT LTD.
2 Union Drive, Boldmere
Sutton Coldfield, West Midlands, 021-354 9764

WW - 043 FOR FURTHER DETAILS

MODERN LABORATORY TOOL HOUSED IN ATTRACTIVE STEEL CASE

- ★ WILL HOLD UP TO SIX EPROMS
- ★ SAFETY INTERLOCKED EPROM TRAY
- ★ FAST ERASE TIME
- ★ MONEY BACK GUARANTEE

LOW COST EPROM ERASURE

Cheque or official company order to:

NORTHERN ELECTRONICS
51 ARUNDEL STREET
MOSSLEY, LANCs. OL5 0LS
Tel: 04575 4119

Distributor enquiries welcome

£38.50 POST FREE
Including VAT

WW - 046 FOR FURTHER DETAILS

EPROM PROGRAMMER with master to slave copying facilities PKW-5000



CPU	Z-80
RAM	16k byte
Programmable EPROMs	2704, 2708, 2758, 2516, 2716, 2732, 2532.
PROM Selection	By combination of switching 2 slide switches.
Display	16-digit 7 segment LEDs.

The PKW-5000 is covered by a full 1 year warranty, backed by the skilled U.K. service staff of Sinclair Electronics Ltd.

thandar

SINCLAIR ELECTRONICS LTD

London Road, St. Ives, Huntingdon, Cambs. PE17 4HJ, England.
Tel: St. Ives (0480) 64646. Telex: 32250

- TELEPRINTER TYPE 7B:** Pageprinter 24v. d.c. power supply. Speed 50 bauds per min. S/hand, good cond. (no parts broken), £28.75. OR G.P.O. MODEL, as above except motor, 110/230v. a.c., £34.50. Carriage either type £9.50. Send S.A.E. for list of Teleprinter spares available.
- TS.147 RADAR TEST SET** Combination Sig. generator and frequency meter and power meter. Provides C.W. and F.M. signals, 115v. a.c., £225. Carr. £7.
- HEWLETT PACKARD Signal Generator HP608B.** Freq. 10-400MHz C.W. and A.M. Output 1 microvolt to 8v.50. Mod. 400-1000Hz. 230v. a.c., £225. Carr. £10.
- TRANSISTORISED 3cm. RADAR AMPLIFIER SWITCH:** with 24v. waveguide switch, 9 x 4cm ins. with crystal CV.2355 and spark gap VX 1046, £17.95 + £1 post.
- INSULATION TEST SET** 0 to 10KV, negative earth, with Ionisation Amplifier, 100/230 volts a.c., £48.87 + carr.
- BC-221 FREQUENCY METER:** 125-20,000kc/s, complete with original calibration charts, £24.15 + carr.
- ROTARY INVERTER TYPE: PE218E:** Input 24-28v DC, 80 amps, 4,800r.p.m. Output 11v AC, 13 amp 400 c/s. 1Ph.P.F.9. £23+carr.
- RESONATOR PERFORMANCE CTC 424 8.5** to 9.0 km/c/s 3 cm, £80.50 + post £2.
- INVERTER 24v.** DC input 400 cycles 1pH 6600 r.p.m. 200v, peak, £8.05 + £2 post.
- OXYGEN BOTTLE 1800lb,** w.p. £11.50 x carr.
- NOISE SOURCE UNIT** with CV.1881 noise source mount. Produces thermal noise 15.5dB 200/250v. AC. £80.50.
- HS33 HEADSET.** Low imp. £5.35 + 75p post.
- MUIRHEAD DECADE OSCILLATOR TYPE 890D,** £92 + carr. £5
- SIEMENS POWER METER REL3U/84/Alb:** 0-12kmHz 1mw 500mw 6 ranges. 0.17dB 50 ohms, £92 + carr.
- CV.1596 CATHODE RAY TUBE:** (09D, 09G), 4in. screen, green electrostatic base B12B. HT1200 volts, heater 4 volts, £11.50.
- VACUUM AND PRESSURE DEAL TEST EQUIPMENT:** complete with 2 x 4in. gauges indicating 0.20lb. p.s.i. 0.30lb. vacuum. With stand, hand pump, etc., £34.50 + carr.
- TELEPRINTER MODEL 75,** available with perforator attachment, £74.75 + £10 carriage.
- DIGITAL CLOCKS MODEL 304** with automatic recorder. Printout system model 301. £86.25 + £10 carriage.
- SPERRY TRANSISTORISED SERVO-AMPLIFIERS TYPE C1** with circuit diagram, £11.50 + £1.50 post.
- X-Y PLOTTER, £74.75 + £7** carriage.
- C.C.T.V. EHT UNIT, 50Kv.** £75 + £10 carr.
- C.C.T.V. CABLE, 22-Way,** 500 metres, £650 + carriage.

BARGAIN MAPS

Large stocks of unused U.S.A.F. surplus maps, weather charts, etc. including:

- ONC-E1 - U.K. in full and part N.W. Europe. Scale 1:1,000,000.
- JNC-9N - N. Europe U.K., Scandinavia. Scale 1:2,000,000.
- JN-21N - Europe (Mediterranean). Scale 1:2,000,000.
- SIZE 58" x 42", colour. Many others. Please send S.A.E. for list.
- Price each 75p (inc. P&P)
- 25 x Maps (either same type OR assorted). £10 + £1.60 P&P.
- 10 x Maps (either same type OR assorted). £6.50 (inc. P&P).

All prices include VAT at 15%
Carriage quotes given are for 50-mile radius of Herts.

W. MILLS

The Maltings, Station Road
SAWBURIDGE WORTH, Herts.
Tel: Bishop's Stortford (0279) 725872

Appointments

Advertisements accepted up to 12 noon Tuesday, May 5, for June issue, subject to space being available.

DISPLAYED APPOINTMENTS VACANT: £12 per single col. centimetre (min. 3cm).
LINE advertisements (run on): £2 per line, minimum three lines.
BOX NUMBERS: £1 extra. (Replies should be addressed to the Box Number in the advertisement, c/o Quadrant House, The Quadrant, Sutton, Surrey SM2 4AS.)
PHONE: JAYNE PALMER, 01-661 3033 (DIRECT LINE)
Classified Advertisement Rates are currently zero rated for the purpose of V.A.T.



ELECTRONICS APPOINTMENTS

£5,000 - £15,000

your professional approach to a new opportunity

<p>ATE ENGINEERS E. ANGLIA £6-9K</p>	<p>Several opportunities at various levels with our client – a prime manufacturer of computer-based systems. Experience gained with Membrain - Terradyne or similar ATE systems/software plus good Digital/Analogue circuit knowledge would bring rewarding career development prospects. Ref. 236A</p>
<p>MICROCOMPUTER TECHNICIANS MID-BUCKS. £5-7.5K</p>	<p>Use your Digital/Micro ability in the test/system commissioning of advanced micro-based data-collection/communication systems. An expanding and well-backed young company offers high job interest + career potential in a pleasant rural environment. Ref. 235A</p>
<p>MICROWAVE R & D to c£15K</p>	<p>At various sites in Herts. - Cambs. - Northants - Beds. and other areas. Engineers and Group Leaders for Components; Systems Satcoms and Radar. Ref. 237</p>
<p>REAL TIME SOFTWARE to c£10K + Car/ Allowances</p>	<p>Excellent opportunities for Mini and Micro people – ideally several years' RSX11; RDOS; RT11; Assembler; M/C Code, etc. Ref. 238</p>
<p>MICROPROCESSOR Hardware/Software to c£12K</p>	<p>N.W. England; Scotland; S.E.; S.W. and E. Anglia. Clients of all shapes and sizes: Control, Telemetry; Graphics; Medical and Military applications. Ref. 239</p>
<p>TROPO/MICROWAVE COMMUNICATIONS & COMPUTERS SCOTLAND</p>	<p>To install and maintain offshore Comms./Telemetry and Monitor Systems – good salary/leave packages. Ref. 240</p>
<p>COMPUTER SERVICE/COMMISSIONING to c£12K + Car</p>	<p>Most U.K. areas – both field service and in-house opportunities to use your mini/micro/peripheral experience. Some offer European travel as well. Ref. 241</p>
<p>DESIGN ENGINEERS to £12K</p>	<p>Many opportunities at all levels to Chief Engineer for good Digital/Analogue/Mechanical experience. Ref. 242</p>

- ★ ECM is a technically competent consultancy offering advice and assistance at no charge to candidates.
- ★ We are aware of 100s of electronics engineering opportunities throughout the U.K.
- ★ For confidential discussion and positive action contact: **MIKE GERNAT** on 076-384 676/7 (Till 8 p.m. most evenings).

ELECTRONIC COMPUTER AND MANAGEMENT APPOINTMENTS LIMITED
 148-150 High St., Barkway, Royston, Herts SG8 8EG.

(1055)

SULTANATE OF OMAN

RADIO AND TV BROADCAST ENGINEERING VACANCIES

The Sultanate of Oman operates a modern colour television and radio broadcasting service with studio centres situated in the North and South of the country, the two centres being linked by satellite. High power VHF and low power UHF transmitters are employed to provide a 625 PAL TV service to populated areas of the Sultanate. The radio broadcasting service uses HF, MF and VHF transmitters of various powers. Both services are managed by the Ministry of Information and Youth Affairs.

Due to expansion of the service vacancies for a variety of posts have arisen and applications are invited from suitable qualified persons.

TRANSMITTER ENGINEERS

For maintenance of high power VHF TV transmitters and low power UHF transmitters, high power MF, HF and VHF FM sound transmitters. The work will involve travel and in some cases overnight stops away from base. The transmitters operated within the Sultanate are manufactured by Siemens, Philips, Marconi and Continental Inc., U.S.A.

STUDIO ENGINEERS

For maintenance on cameras, vision mixers, S.P.G.S., vision distribution systems, telecine machines and video monitors, etc. There will also be operational work, particularly on outside broadcasts.

The equipments employed are Philips LDK15 cameras, Bosch Fernseh KCU40 and KCP cameras, vision mixer units by C.D.L. and Bosch Fernseh, telecine by Rank Cintel and Bosch Fernseh.

SOUND MAINTENANCE ENGINEERS

To maintain a wide range of high quality sound broadcasting equipment.

VTR ENGINEERS

For maintenance on Ampex VR1200B and Bosch Fernseh BCM40 machines. There will also be some operational work. During the forthcoming year it is intended that 1in. "C" Format VTR machines will be installed.

PLANNING AND PROJECT ENGINEERS

To carry out planning for a wide range of transmitter installations for both TV and radio. Planning and Systems Engineers are also required for work on new radio studios to be constructed over the next few years.

Successful applicants will be expected to be directly involved with the nuts and bolts of the installation work, in some cases in remote areas. Applications are also invited for a number of senior positions in the transmitter, studio groups and electro-mechanical services groups. If you feel you can apply your knowledge and expertise to the efficient running of these groups we will be pleased to hear from you.

Applicants should be qualified to degree or HND level and have not less than six years' relevant experience. The senior positions require considerably more years of varied but relevant experience. In most cases a knowledge of Arabic – although not essential – would be useful.

Salaries, which are paid in Rials Omani, are fully remittable and tax-free and range from pounds sterling 1100 to 1300 per month upwards. The senior positions start at pounds sterling 1500 to 1700 per month (depending upon current rate of exchange).

Married accommodation is provided together with free air passage at beginning and end of contract for family. Air tickets are also provided for leave after the first year of service.

Applicants should write stating age, nationality, qualifications and full details of experience to:

Ministry of Information and Youth Affairs, Post Box 600, Muscat, Sultanate of Oman, marking the envelope "Technical Office" in top left-hand corner.

Medical Physics Technicians circa £13,000 p.a.

IHG Medical Consultancy Services is seeking experienced engineers to join its team working at the Mafraq Hospital in Abu Dhabi, where it is responsible for giving advice and making recommendations on the full range of equipment at the new hospital.

The personnel would require an HNC or degree and would have already experienced five to ten years in a Health Service area or with an equipment manufacturer.

As well as the obvious job satisfaction to be gained working on a prestigious new project where the very latest state of medical technology is currently used, the conditions offered include the usual benefits of overseas employment, with married accompanied status if required and *free transportation* in the UAE.

Please telephone or write immediately, quoting Ref M/012, to John Callow, IAL, Personnel Consultancy, Aeradio House, Hayes Road, Southall, Middlesex. Tel: 01-843 2411 extn. 424.

(1052)



**IHG MEDICAL
CONSULTANCY
SERVICES**

POLYTECHNIC OF CENTRAL LONDON
School of Engineering and Science

ELECTRONICS WORKSHOP TECHNICIAN GRADE 3

Required in workshop group involved in analogue and digital electronics. Work will consist of the construction of newly developed equipment, plus testing and troubleshooting of existing equipment. Experience in electronics and workshop practice is desirable.

ELECTRICAL WORKSHOP/LABORATORY TECHNICIAN GRADE 3

Required to service and maintain Electrical Laboratory and provide backup to teaching service to students at all levels in Analogue Computers, Measurements and Logic. Assistance throughout the Power Group of laboratories will also be required at various times. Qualifications for both posts: ONC/OND or equivalent and/or appropriate industrial experience. Experience of 3-5 years inclusive of training. Salary: on scale £5322-£6060 p.a. inclusive of London Allowance.

Application forms and further details from: Establishment Office, PCL, 309 Regent Street, London W1R 8AL. Tel. 01-580 2020, Ext. 212.

(1020)

TOP JOBS IN ELECTRONICS

Posts in Computers, Medical, Comms, etc. ONC to Ph.D. Free service.

Phone: **01-906 0251**

(8994)

ITN

TRAINEE BROADCAST ENGINEERS

ITN needs more engineers to support its expanding programme of news coverage - expansion which is expected to continue through the '80s with the introduction of the fourth channel. We have a number of vacancies for Engineering Trainees - vacancies which could give you the opportunity to start a career in Broadcast Television Engineering with ITV.

Firstly, we need you to have a firm interest in pursuing a career in the technical side of broadcasting.

Then you should have completed, or expect to complete, theoretical training in Electronic Engineering or closely allied subjects this academic year.

Applicants may have a wide range of acceptable initial qualifications, but those generally most suitable are either the TEC's Higher Technical Diploma, Higher Technical Certificate, HNC or HND.

Initially, you would be involved in a 9-12 month familiarisation period by attachment to our five maintenance areas and the Projects Department, on a rotational basis.

After successful training you would be employed on the maintenance or operation of a wide range of broadcast equipment in our Central London Studio near Oxford Circus, from which the ITV National News Programmes are networked.

Successful applicants will join ITN in early September, 1981. Starting salaries would lie within the range of £4,300 (at 18) to £5,734.

If you are interested in Video Systems, Audio Systems, Video or Audio Recording or any of the many techniques involved in News Broadcasting in a busy, lively environment, then call us on 01-637 8644 for an application form or write to The Manager, Technical Training, ITN House, 48 Wells Street, London W1P 4DE, with a short resumé of your interests, qualifications and experience, quoting vacancy number 40771.

BROADCAST FIELD SERVICE ENGINEERS MIDDLE EAST/AFRICA

To join a highly professional team responsible for installation and service of VTRs, cameras, etc., throughout the Middle East and Africa.

Key requirements are:

- a sound theoretical knowledge of electronics.
- experience in the broadcast industry.
- the ability to work on own initiative while travelling away from base (product training will be given).

Excellent salary plus a pension and benefits package tailored to meet individual needs, including relocation as appropriate.

AMPEX

Please send full curriculum vitae to:
Maureen Brake
Ampex Great Britain
Limited
Acre Road, Reading
RG2 0QR
England

(1051)

SERVICE ENGINEERS— UP TO £8,500 AND THAT'S ONLY PART OF THE GOOD NEWS

Kodak — the name that has pioneered virtually every photographic advance for a century — now stands for new achievements in copier-duplicators. Our technologically exciting Ektaprint copier-duplicators have earned high user ratings in North America on every count — quality, reliability, cost effectiveness and service. Now we're getting ready for their UK launch and this could be your opportunity to come in at the start and help us form an integrated Equipment Service Team.

To take responsibility for installation, maintenance and repair of our copiers, we need men and women who will maintain the highest standards of customer service. You will need practical experience in mechanical and electromechanical engineering (craft apprenticeship preferable),



a sound knowledge of electronics, previous experience of servicing copier-duplicators or similar products such as micrographics equipment, and ability to handle the associated paperwork.



If you can offer all that, and pass our initial technical and aptitude tests, this will be followed up by a comprehensive product training and company orientation programme. The value of your rewards package, including some overtime, will be from around £8,000-£8,500 in Central London (without car) to £7,000 in Greater London (plus car). In addition we provide a number of attractive employee benefits and prospects are all you would expect of an international company.

Aged 25 to 35 and want to take a closer look at our offer? Then phone or write for an application form to: Mr. C. Long, Kodak Limited, Station Road, Hemel Hempstead, Herts.

Tel. Hemel Hempstead (0442) 61122 ext. 27.

(1027)

ELECTRONIC ENGINEERS

Worldwide Airborne Surveys

Our Engineers prepare electronic sensing and digital recording systems at UK base for eventual in-flight operation by themselves in fixed and rotary winged aircraft engaged on overseas geophysical projects. Typical overseas project duration is between 2 to 6 months.

A wide spectrum of electronics is covered with a growing emphasis on microprocessor based devices. Qualifications or experience to HNC standard, together with a flair for fault diagnosis, solving interfacing problems and mechanical packaging ability is desired.

Persons interested in joining our teams or who require further information should apply to:



**The Personnel Manager
Hunting Surveys
& Consultants Limited**
Elstree Way
Borehamwood
Herts, WD6 1SB



(1046)

INNER LONDON EDUCATION AUTHORITY

Learning Materials Service
Television Centre
Thackeray Road
London SW8 3TB

The Television Centre produces a range of Educational programmes in the form of video cassettes, sound cassettes and 16mm film for distribution within London and nationally. It has a colour television studio, colour mobile unit and film unit all equipped to professional broadcasting standards.

SOUND MAINTENANCE ENGINEER (STUDIO TECHNICIAN 3)

A vacancy has arisen for a senior engineer to undertake maintenance and project work on a wide range of equipment associated with television programme production. Some of this is video, but the engineer will be required to specialise in sound, as experienced video engineers already exist within the section. The equipment at present includes Neve, Studer, Sondor and ITC items.

It is intended to expand the post-production side of the work, and applicants should be familiar with SMPTE time code and digital techniques generally. If the successful candidate requires further training in these fields, time off and financial help can be given to attend suitable manufacturer's courses.

Salary within the scale (£8115-£8709).
Application forms from the Education Officer (EO/Estab.1C), Room 365, County Hall, London SE1. (Telephone No. 633 7456/7546.)

(1025)

Electronic Engineers – What you want, where you want!

TJB Electrotechnical Personnel Services is a specialised appointments service for electrical and electronic engineers. We have clients throughout the UK who urgently need technical staff at all levels from Junior Technician to Senior Management. Vacancies exist in all branches of electronics and allied disciplines - right through from design to marketing - at salary levels from around £4000 to £12000 p.a.

If you wish to make the most of your qualifications and experience and move another rung or two up the ladder we will be pleased to help you. All applications are treated in strict confidence and there is no danger of your present employer (or other companies you specify) being made aware of your application.

TJB ELECTROTECHNICAL
PERSONNEL SERVICES,
12 Mount Ephraim,
Tunbridge Wells,
Kent. TN4 8AS.
Tel: 0892 39388



Please send me a TJB Appointments Registration form:

Name

Address

(861)

APPOINTMENTS IN ELECTRONICS £5 – £10,000

Take your pick of the permanent posts in:

MISSILES — MEDICAL
COMPUTERS
RADAR — COMMS
MICROPROCESSOR
HARDWARE — SOFTWARE

For free expert advice and immediate action on salary and career improvement, phone or write to GRANT WILSON

Technomark
Engineering and Technical Recruitment

11 Westbourne Grove
London W2 0L 229 9239 (9257)

DIGITAL EXPERIENCE?

FIELD SUPPORT AND
PRODUCTION. VACANCIES IN
COMPUTERS, NC, COMMS,
MEDICAL, VIDEO, ETC.

For free registration ring
0453 883264
01-290 0267

LOGEX

ELECTRONICS RECRUITMENT SERVICE
LOGEX HOUSE, BURLEIGH STROUD
GLOUCESTERSHIRE GL5 2PW
TEL 0453 883264. 01-290 0267 (321)

BRITISH ANTARCTIC SURVEY

RADIO OPERATOR TECHNICIANS

The British Antarctic Survey require Radio Operator Technicians to man single handed radio stations at permanent Antarctic bases for period appointments of 34 months commencing July/August 1981.

As communication between the Falkland Islands (ultimately the United Kingdom), other BAS bases, foreign Antarctic stations, ships and aircraft is by morse, teleprinter and voice, applicants need to be qualified (MRGC or better), and capable of sending and receiving morse at at least 20 wpm. The ability to maintain SSB transmitting and receiving equipment and aerial systems is essential, and a knowledge of teleprinters and touch typing would be an advantage. Applications from amateur and Armed Service trained personnel will be considered, provided that the necessary expertise can be demonstrated.

Applicants, to work overseas, should be single, aged between 22-35, physically fit and male.

Salary: £5804 per annum for Officers with no previous experience, £6120 for experienced Officers. Clothing, messing and canteen on base and messing on voyage are all provided free. Low income tax.

For further details and an application form please write to: The Establishment Officer, British Antarctic Survey, High Cross, Madingley Road, Cambridge CB3 0ET. Please quote ref: BAS 46. Closing date: 11th May 1981.

(1054)

Natural Environment Research Council

Technicians in Communications

GCHQ We are the Government Communications Headquarters, based at Cheltenham. Our interest is R & D in all types of modern radio communications – HF to satellite – and their security.

THE JOB All aspects of technician support to an unparalleled range of communications equipment, much of it at the forefront of current technology.

LOCATION Sites at Cheltenham in the very attractive Cotswolds and elsewhere in the UK; opportunities for service abroad.

PAY Competitive rates, reviewed regularly. Relevant experience may count towards increased starting pay. Promotion prospects.

TRAINING We encourage you to acquire new skills and experience.

QUALIFICATIONS You should have a TEC Certificate in Telecommunications, or acceptable equivalent, plus practical experience.

HOW TO APPLY For full details on this and information on our special scheme for those lacking practical experience, write now to

Robby Robinson, Recruitment Office
GCHQ, Oakley, Priors Road, Cheltenham
Glos. GL52 5AJ
or ring
0242 21491
ext 2269

(666)

GCHQ

USE YOUR TECHNICAL EXPERTISE TO BROADEN YOUR HORIZONS

Customer Engineers

Broadcast TV Equipment

If you have excellent practical Engineering experience in the Broadcast Industry, probably in an operations/maintenance or design role, you will be equipped to tackle this unique technical challenge with the highly successful subsidiary of an international Company, based in the South East.

Your duties will be to commission and service the Company's professional Broadcast T.V. Equipment, including the 1 inch VTR, to diagnose and rectify any technical problems and report back on customer enquiries.

As part of this young, dynamic and committed team you will travel extensively into Europe and occasionally to Africa and the Middle East.

If you have the enthusiasm, drive and ambition to succeed in this challenging technical role, ring or write now to me, Stephen Boyd, at Cripps, Sears & Associates (Personnel Consultants), Burne House, 88/89 High Holborn, London WC1V 6LH. Telephone: 01-404 5701 (24 hours). Telex: 893155 CRIPPS G.

Aged 24-35, adaptable and highly self-motivated, you will operate autonomously, requiring real initiative and discipline in establishing priorities as well as the ability to relate convincingly at all levels.

You will receive an excellent salary of up to £10,000 p.a., and other benefits include 4 weeks holiday, Pension/Life Assurance, P.P.P. and relocation assistance where necessary.

(The above position is open to both men and women)

Cripps, Sears

(1062)

PRESTON POLYTECHNIC
Faculty of Science and Technology
School of Electrical and Electronic
Engineering

Applications are invited for the post of

CHIEF LABORATORY TECHNICIAN

Salary Grade T5: £6750-£7212 per annum plus an additional allowance up to £102 per annum for an acceptable technician qualification
36¼ hours, 5 day week. Post superannuable.

The successful candidate will be responsible for the efficient operation of laboratory services in the School of Electrical and Electronic Engineering. He/she must be self-motivated and be able to direct the work of the group of Senior Laboratory Technicians/Laboratory Technicians. He/she should also have the ability to provide the group with technical leadership. It is expected that the person appointed will possess a recognised technician qualification and sound electronic/electrical engineering expertise.

Application forms from: The Personnel Officer, Preston Polytechnic, Corporation Street, Preston. Tel: Preston 51831.

Reference No.: NT/80/81/55 Closing Date: 24th April, 1981 (1022)

ELECTRONIC ENGINEERS NEEDED IMMEDIATELY

Trec Video is expanding its broadcast facilities at its new premises close to Waterloo Station.

Applications are invited for engineers interested in working in the following areas.

- A) Outside broadcast unit
- B) Broadcast video tape recorders
- C) General equipment servicing

Please ring, or write to:
Mr Alan English
Managing Director

Trec Consultants Ltd
1-7 Boundary Row
London SE1 8HP
Tel: 01-633 9494

(1029)

OPPORTUNITIES IN SOUTH AFRICA TWO WAY RADIO ENGINEERS/TECHNICIANS



South Africa's leading two-way radio Company require service staff with a thorough knowledge of Base/Mobile Radiotelephone systems.

Applicants must have at least two years' experience on VHF/UHF FM Mobile radios and associated Base Station networks.

A thorough practical ability is the main requirement, however C & G Intermediate Cert. in Telecommunications would be an advantage.

More Senior positions for System Engineers also exist.

Commencing salary: £7,500 negotiable p.a. (approx. R13,500 p.a.)

Candidates interested in emigrating to South Africa would be preferred. However service conditions are flexible and 2½-year service contracts, with gratuity payments on completion of contract, could be negotiated.

Interviews in LONDON, June 18 & 19, 1981.

Apply in writing in the first instance before May 25, 1981 to:
K. H. BERRY REF. EMP-06-LDN c/o J. GERBER & CO.
1 Golden Square, LONDON W1R 3AB.

(1065)

ELECTRONICS ENGINEER

Due to our continued expansion into the NC and CNC applications to our range of machine tools – Horizontal Boring and Milling machines, we now wish to appoint an Electronics Engineer to join a small team engaged in the application, design, development and field support of microprocessor machine tool controls and high performance DC servo motor drives.

Applicants should be qualified to a good first degree standard in electronics and have some relevant industrial experience in electronic control.

Please write or telephone for an application form, to:

Staveley Machine Tools Limited



D. Morgan, Personnel Manager
STAVELEY MACHINE TOOLS LIMITED
 Kearns-Richards Division
 Broadheath, Altrincham, Cheshire
 Tel: 061-928 3284

(1064)

A division of SOS Bureau Ltd

The SOS Group

Trading as:

- SOS Staff Bureau**
- SOS Industrial Staff**
- SOS Senior Appointments**



The following are a selection of the many vacancies currently on file:

RADIO FREQUENCY DEVELOPMENT ENGINEER! £8,000!
 Defence Projects!

TEST TECHNICIAN! £6,500!

Service Telecommunication and Radio Test Equip!

COMMISSIONING ENGINEER! £6,900!

+ £2,500 Allowances! Exchange Equip!

TEST TECHNICIAN! £7,000!

Test, Repair and Calibrate Instruments in the frequency range, DC to 40GHz!

DEVELOPMENT ENGINEER! £8,000!

Communications Equip Associated with Security Systems!

TECHNICAL AUTHOR! £7,740!

UHF, VHF and Microwave Technology!

SALES ENGINEER! £9,000!

Car! North England! Relocation package! Telecommunications!

For information on these and other vacancies nationwide – please contact: **Lee Wood, 71 The Mall, Ealing, London W5 5LS.**
 Tel. 567 7466.



GROUP OF COMPANIES

Has a vacancy for a

TRANSMITTER ENGINEER

For work overseas

We are looking for an experienced person to take responsibility for installation, commissioning and fault finding of T.V. and Sound Broadcast Transmitters overseas. A high salary will be paid to the right applicant.

Please apply in writing to:

MR. J. PARKER
HPC GROUP LIMITED
CHURCH STREET, BURBAGE
HINCKLEY, LEICESTERSHIRE

(1023)

Merlin Geophysical Co. Ltd. is a small, expanding, British company providing seismic data processing services for the oil industry. We require a

COMPUTER SERVICE ENGINEER

for maintaining all hardware in one of our processing centres. This hardware consists of Systems Engineering Labs. 32-77 C.P.U.'s, STC Mag Tape, Laser Plotter etc.

Applicants must be single and prepared to work abroad, initially for one year and for shorter periods thereafter. They should have approximately 2 years related experience, including some prior mainframe training and H.N.C. E.E. or equivalent. The successful applicant will be trained on the S.E.L. 32-77 and Peripherals as necessary and can expect many of the benefits associated with large companies plus the satisfaction and involvement derived from working in a small expanding company. Salary £7000 p.a. + depending upon relevant experience.

Applications

addressed to:-



MERLIN GEOPHYSICAL COMPANY LTD

The Operations Director
 Merlin Geophysical Co. Ltd.
 Morris House
 Commercial Way
 Woking
 Surrey
 Telephone Woking 23321

LORD MEDICAL LTD

3 Charterhouse, Eltringham Street, London SW1B 1TD

Lord Medical is a new company with a novel range of products specialising in Electrocardiography.

Having reached the final phase of an intensive research programme we are now seeking the following:

DESIGN ENGINEER

At least 3 years' digital and analogue experience and capable of taking designs to final production engineering.

TEST/PRODUCTION ENGINEER

Besides small scale production testing and fault finding experience, P.C.B. layout and Design would be an advantage.

Salaries are negotiable and depend on the applicant.

Please apply in writing enclosing a full C.V.



(1059)

Electronics R&D

£7,999

**Join us in the forefront
of technology**

Take your pick

HF-VHF-UHF

Microwave Optics & Acoustics
A challenging and full career in
Government Service

Candidates, normally aged under 30,
should have a good honours degree or equiv-
alent in a relevant subject, but any candidates
about to graduate may be considered.

Appointments as Higher Scientific
Officer (£6,075-£7,999) or Scientific Officer
(£4,805-£6,480) according to qualifications
and experience. Promotion prospects.

Please apply for an application form to
the Recruitment Officer (Dept I.E.1),
H M Government Communications Centre,
Hanslope Park, Milton Keynes MK19 7BH.

(1028)

Dolby **ELECTRONIC TEST ENGINEERS**

We manufacture and market audio noise reduction equipment which is used by major recording companies, recording studios, the film industry and broadcasting authorities throughout the world.

We need experienced Test Engineers to join a dedicated team who are proud to be world leaders in the manufacture of professional noise reduction equipment.

Those with practical knowledge of electronic testing and have rapid trouble-shooting abilities can enjoy varied and interesting work and high rates of pay.

Telephone TONY HILL 01-720 1111

DOLBY LABORATORIES INC.
346 Clapham Road, London SW9 9AP

(1061)

THE PAPUA NEW GUINEA UNIVERSITY OF TECHNOLOGY DEPARTMENT OF ELECTRICAL AND COMMUNICATIONS ENGINEERING

Senior Technical Instructors — Communications

Applications are invited for the above-mentioned positions. An appointee's principal duties will be teaching on the University's diploma in communications engineering course. The course is designed to train technical officers for the National Broadcasting Commission, the Department of Posts and Telecommunications, and the Civil Aviation Agency. Applicants should have practical experience in at least one area relevant to the above fields, and teaching experience at technician level.

Salary scale: K13,425 - K15,275 (K1 = Stg. 0.6711).
The initial contract period will be for 3 years. Other benefits include a gratuity of 24%, appointment, repatriation fares and leave fares for the staff member and family after 18 months of service, settling-in and out allowance, six weeks' paid leave per year, education fares and assistance towards school fees, free housing. Salary continuation and medical benefit schemes are available.

Applications including particulars of age, nationality, marital status, family, qualifications, experience and the names and addresses of three referees, should be sent to the Registrar, Papua New Guinea University of Technology, P.O. Box 793, Lae, Morobe Province, Papua New Guinea by **8th May, 1981**. Applicants resident in the United Kingdom should also send an additional copy to the Association of Commonwealth Universities (Appts.), 36 Gordon Square, London WC1H 0PF.

(1058)

NATO HEADQUARTERS ALLIED FORCES CENTRAL EUROPE Post Box 270 6440 AG Brunssum The Netherlands

Applications are invited from qualified candidates for the permanent civilian posts of:

One FIELD SERVICE ENGINEER

(Assistant Telecommunications Engineer - NATO Grade A-2)

Two FIELD SERVICE TECHNICIANS

(Senior Telecommunications Technician - NATO Grade B-5)

In a travelling team maintaining an international micro-wave telecommunications system. Home base near Aachen, Germany. Competitive international salaries/allowances and pension scheme.

Candidates should apply with short curriculum vitae, before 15th May, 1981, to: **Civilian Personnel Office, HQ AFCENT.**

(1050)



CAPITAL APPOINTMENTS LTD.

CAPITAL HOUSE
29-30 WINDMILL
STREET
LONDON W1P 1HG
TEL: 01-637 5551

THE UK's No. 1 ELECTRONICS AGENCY

Design, Dev. and Test to £10,000
Ask for Brian Cornwell

SALES to £12,000 plus car
Ask for Ken Sykes

FIELD SERVICE to £10,000 plus car
Ask for Maurice Wayne

We have vacancies in ALL AREAS of the UK

Telephone: 01-637 5551 (3 lines)

SITUATIONS VACANT

£25,000?

1. SOFTWARE ENGINEER, to develop microprocessor systems for military and commercial applications, to £11,000. MIDDX.
2. SIMULATOR ENGINEER, to design Aircraft Simulators, to £25,000. FRANCE.
3. DIGITAL DESIGN ENGINEERS, to work on microprocessor-based navigation and control systems, to £10,000. HANTS.
4. RF DESIGN ENGINEERS, to work on commercial VHF & UHF equipment, to £10,000. HANTS.
5. RECEIVER ENGINEER, to design HF, VHF & UHF systems, to £10,000. BERKS.
6. MICROPROCESSOR ENGINEER, to work on VDUs in a small but expanding company, to £9,000. SURREY.

HUNDREDS OF REGISTERED VACANCIES - PERMANENT AND CONTRACT

ANTHONY GILES
M.Sc., C.Eng., M.I.E.E.

CLIVENED CONSULTANTS

87 St. Leonard's Road
Windsor, Berks.
Windsor (07535) 57818
(24-hour Ansaphone)

(1053)

THE HOSPITALS FOR SICK CHILDREN

GREAT ORMOND STREET
LONDON WC1N 3JH
BIOMEDICAL ENGINEERING DEPARTMENT

TECHNICIAN

To maintain the performance and safety of a wide range of medical, laboratory and electronic equipment; also to assist with light constructional and wiring work. Some travelling involved.

Minimum qualifications required - ONC or equivalent in an electronics subject. Three years' practical engineering experience essential.

This post is graded as Medical Physics Technician Grade III, with a salary scale of £5,750 rising by 7 annual increments to £7,277 inclusive of London Weighting.

Application form and further details from Group Personnel Department 01-405 9200 extension 228.

(1044)

Royal Marsden Hospital
Fulham Road, London SW3

Medical Physics Technician

Grade IV/III

required in the Radiotherapy and Physics Electronics Workshop of the above hospital. The person appointed will work in a small group responsible for the maintenance of radiotherapy equipment, including three Cobalt units, a Philips 10 MeV Linear Accelerator and orthovoltage X-ray equipment. Applicants should hold ONC, HNC or similar qualifications in electrical engineering or electronics and have at least 3 years' relevant technical experience to obtain salary on scale £5750-£7277.

Application form and job description available from: Miss E. M. Bawley, Group Personnel Officer, Royal Marsden Hospital. Tel: 01-352 8171, Ext. 446.

(1024)

RADAR DESIGN ENGINEERS

- State of the art technology with a market leader
- Major supplier of advanced radar equipment
- Design concepts to manufacturing
- Attractive south location
- Superb environment
- Top benefits

UP TO £12,000pa

- Minimum HNC
- 3 years' experience
- Familiar with radar equipment
- Able to control staff and work to budgets
- Able to work on custom design assignments
- Ambitious and looking for clear promotional path

If we meet in the middle, we would very much like to meet you properly. Please contact Rod Evans for a preliminary chat.

Harrison Cowley Executive Selection

35 Queen Square, Bristol BS1 4LU. Tel. 0272 213151 (24 hr. answering service).

(1048)

Electronics Technicians

Petty-Ray Geophysical Division of Geosource is one of the leading Companies in the field of oil exploration and due to our ever increasing workload require single personnel, in the age range 21-25, who are looking for a varied and interesting career working overseas.

You should be educated to HNC/ONC in Electronics or C & G Radio and TV Technician level and on appointment you will be assigned to one of our field crews either in Africa or the Middle East for on the job training in the operation and

maintenance of digital seismic recording equipment.

Candidates must be in possession of a current driving licence.

We offer a good starting salary which is paid NET, food and accommodation will be provided and rest leaves are generous.

If you would like to have more information about these positions please write, giving brief career details, to:- The Personnel Officer, Petty-Ray Geophysical Division of Geosource, 3-5 The Grove, Slough, Berkshire SL1 1QG.

(1043)



ARTICLES FOR SALE

PROGRAMMABLE ACTIVE CROSS-OVER PCB's based on Hi-Fi News and Record Review design. Versatile 12/18/24dB/octave. 2/3/4 band. SAE brings details. B & J Sound, Kirkby Lane, Tattershall, Lincoln, LN4 4PD. (1039)

TEKTRONIX 585A 85 MHZ dual beam delay timebase scope. £295. Another 33MHZ type 545 £215. Both excellent, complete with probes, leads, manuals Marconi TF801/D/35 sig. gen. 10-485MHZ complete with leads, manual, £120. All ono. Also Standard Meters. Telephone 02514-6483 (Hants.) (1049)

JAMES MOIR is disposing of some laboratory test equipment, audio signal generator, harmonic analyser, wow and flutter meter, wide range voltmeter, loudspeaker units, all in good working condition. Telephone Kings Langley 62955 for details. (1035)

CLEARANCE PARCELS: Transistors, resistors, boards, hardware. 10lbs only £5.80; 1,000 Resistors £4.25; 500 Capacitors £3.75. BC 108, BC 171, BC 204, BC 230, 2N 5061, CV7497 Transistors. 10-70p, 100-£5.80. 2N 3055. 10 for £3.50. S.a.e lists: W.V.E. (3), 15 High Street, Lydney, Glos. (144)

APPTS WANTED

PHILIPPINES

APPOINTMENT SOUGHT

British electronics engineer seeks consultancy/contract/employment in Philippines. Male, aged 34, with 18 years' experience in the design/development of linear/digital/audio equipment, also automatic test equipment for production line testing, etc., for full details please write Box No 1047.

(1047)

SITUATIONS VACANT

School of Electrical and Electronic Engineering

BSc, BSc (Hons) and HND COURSES IN ELECTRICAL AND ELECTRONIC ENGINEERING (Sandwich)

Applications are invited for places on the above courses starting in October 1981.

Further details and application forms obtainable from

Mrs. R. A. Earl, Faculty of Engineering Registrar, Ref. JS111, North East London Polytechnic, Longbridge Road, Dagenham, Essex RM8 2AS. Tel: 01 590 7722 Ext. 2061.

NELP (1057)

APPOINTMENTS IN ELECTRONICS to £12,000+ MESSAGE SWITCH DATA COMMS-TELEMETRY TELEGRAPHY-RF COMMS

Interesting and varied opportunities, U.K. and overseas. For immediate action on salary and career advancement, contact:

Technomark
Engineering and Technical Recruitment

11, Westbourne Grove
London W2. 01-229 9239 (1060)

TESTERS, TEST TECHNICIANS, TEST ENGINEERS. Earn what you're really worth in London working for a World Leader in Radio & Telecommunications, Phone Len Porter on 01-874 7281, or write: REDIFON TELECOMMUNICATIONS Ltd., Broomhill Road, Wandsworth, London, SW18. (9856)

ARMAGH OBSERVATORY, Armagh, Northern Ireland. Applications are invited for the post of **TECHNICAL OFFICER (ELECTRONICS/INSTRUMENTATION)** which will become tenable on 1 July, 1981. He/she will form part of a small astronomical research team, in which he/she will assume responsibility for the development and maintenance of computer systems, measuring equipment, and associated instrumentation. Applicants should have a degree in Physics, Astronomy or Electronics Engineering with experience in physics or astronomical instrumentation and computer hardware/software. Salary on the Universities' IB or IA scales for Research and Analogous Staff. Further particulars are available from The Secretary, Armagh Observatory, Armagh BT61 9DG, Northern Ireland. Closing date for applications is 15 May, 1981. (1031)

ARTICLES FOR SALE

ENCAPSULATING, coils, transformers, components, degassing, silicone rubber, resin, epoxy. Lost wax casting for brass, bronze, silver, etc. Impregnating coils, transformers, components. Vacuum equipment low cost, used and new. Also for CRT regunning metalising. Research & Development. Barratts, Mayo Road, Croydon. CR0 2QP. 01-684 9917. (9678)

ARTICLES FOR SALE

TO MANUFACTURERS, WHOLESALERS & BULK BUYERS ONLY

Large quantities of Radio, T.V. and Electronic Components.
RESISTORS CARBON & C/F 1/8, 1/4, 1/2, 1. 1 Watt from 1 ohm to 10 meg.
RESISTORS WIREWOUND. 1 1/2, 2, 3, 5, 10, 14, 25 Watt.
CAPACITORS. Silver mica, Polystyrene, Polyester, Disc Ceramics, Metalamite, C280, etc.
Convergence Pots, Slider Pots, Electrolytic condensers, Can Types, Axial, Radial, etc.
Transformers, chokes, hopts, tuners, speakers, cables, screened wires, connecting wires, screws, nuts, transistors, ICs, Diodes, etc., etc.
All at Knockout prices. Come and pay us a visit. Telephone 445 2713, 445 0749.

BROADFIELDS & MAYCO DISPOSALS
21 Lodge Lane, N. Finchley, London, N.12. 5 mins. from Tally Ho Corner (9461)

RACAL COMMUNICATIONS RECEIVERS. 500kc/s 30mc/s in 30 bands 1MHz wide. RA17 £1.50. RA17L £200. Or a few as new £250. RA117E £300. all air tested, supplied with full manual, dust covers, in fair condition, new metal louvered case for sets £25. RA98A SSB-USB adaptors, new and boxed with manual £75. RA96D used with manual £75. RA218 SSB-USB adaptors and fine tune units for RA117 £65.
MARCONI TF801D/88. £150.
MARCONI R.F. RADIATION & POWER METER. OA1430 (CT477), as new, in grey metal case with full manual, power meter FX range, 10mc/s to 10gc/s, complete with X-S-L band aerials, £50.
MUIRHEAD FACSIMILE EQPT. TX D901 D/S £50. RX D900 D/S or P/D £75 each.
WEATHER SATELLITE. RX D900 S/1A or S/2A £125 each with manual.
EXTEL TRANSEL MATRIX PRINTERS. 5 level Baudot Code. Accepts speeds up to 300 bauds. Supplied set to 50 and 75 bauds switched. Tested with manual, £165.
All items are bought direct from H.M. Government, being surplus eqpt. Price is ex-works. S.A.E. all enquiries. Phone for appointment for demonstration of any item. **JOHNS RADIO, WHITEHALL WORKS, 84 WHITEHALL ROAD, BIRKENSHAW, BRADFORD. TEL. BRADFORD 684007 (9.30 a.m.-1 p.m.).** (848)

Quartz Crystal Units
ACCURATE RELIABLE
Private enquiries, send 13p in stamps for brochure
THE QUARTZ CRYSTAL CO. LTD.
Q.C.C. WORKS, WELLINGTON CRESCENT
NEW MALDEN, SURREY 01-942 0334 & 2888 (8493)

PHILIPS VIDEO CONVERSIONS
UP TO 5 HOUR DUAL SPEED RECORDING
FROM N1700 - 02 VIDEOS
EXCELLENT PICTURE QUALITY
USES EXISTING TAPES SEE DEMONSTRATION
VIDEO AUDIO BY OUT FACILITIES L45
£1500 01 02 L.P. CONVERSIONS FROM 4 05
LVC150 £115 EACH TAPES REPAIR £20
EVANS VIDEO SERVICES 061 439 8696 (1021)

LAB CLEARANCE: Signal Generators; Bridges; Waveform, transistor analysers; calibrators; standards; millivoltmeters; dynamometers; KW meters; oscilloscopes; recorders; Thermal sweep, low distortion true RMS, audio FR, deviation. Tel. 040-376236. (8250)

TEKTRONIX 465 oscilloscope, mint condition, calibrated, other test equipment. — Phone 0582-425721.

WIRELESS WORLD and Electronic Engineering. 1954 to 1976. Offers please. Telephone 0273 70519. Barber, Waterloo House, Waterloo Street, Hove, East Sussex. (1037)

TELETYPE KSR 33 with punch and reader, £325 on no. Telephone: West Wittering (024366) 2388. (1036)

NEW 1981 MODERN ELECTRONIC CIRCUITS REFERENCE MANUAL

by Markus Price: £32.50

RADIO AMATEUR HANDBOOK by ARRL 1981 ed. Price: £8

THE ART OF ELECTRONICS by P. Horowitz Price: £13.50

WORLD RADIO TV HANDBOOK, 1981 edition Price: £10.50

ELECTRONIC PRINCIPLES 2nd ed. by A. P. Malvino Price: £4.35

MANUAL OF ELECTRONIC SERVICING TESTS AND MEASUREMENTS by R. Genn Price: £10

INTRO. TO DIGITAL FILTERS by T. Terrell Price: £6.95

MICROPROCESSORS AND MICROCOMPUTERS FOR ENG. STUDENTS AND TECHNICIANS by B. Wollard Price: £5.65

USING CP/M A SELF-TEACHING GUIDE by J. Fernandez Price: £6.75

★ ALL PRICES INCLUDE POSTAGE ★

THE MODERN BOOK CO.

Specialist in Scientific & Technical Books
19-21 PRAED STREET LONDON W2 1NP
Phone 402-9176
Closed Sat 1 p m (8974)

BRAND NEW VERO RACKS 19in x 5 1/2in, complete with 20 off 4 way edge connectors (only 6 used), 20 card slides and locking front panel (12in long). P.S.U. insitu on card slides having 110/240v input, on/off switch and power on indicator. Output is +5v at 5 amps and -10v at 5 amps, fully stabilised. (Can be converted to +12v at 5 amps). Price £35 P/P and VAT inclusive. Rushmore Electronics Ltd, 43 Queens Road, Farnborough, Hants. Telephone 0252 515373. (975)

GET INTO TELEPHONE ANSWERING SERVICING. Telstor (old model) operational manual, £4.50. Autophone manual £3.75. Old model Telstor spares available. SAE enquiries. G. Hay, 189 West Hendon Broadway, London NW9. 01-202 3344 (Callers by appointment please).

OSCILLOSCOPES TEKTRONIX 455 50mhz portable, dual trace, delayed sweep, complete with probes and manual. 24 years old, perfect condition. recalibrated. £675. — Telephone 01-897 3759. (1038)

TELETEXT, TV SPARES & TEST EQUIPMENT, TELETEXT.

Latest external unit kit incl. Texas XM11 Decoder 6101VML and infra-red remote control £248, p/p £2.80 (further details on request). Also MK1 external unit kit incl. Texas XM11 decoder, special offer price £168 p/p £2.80. Both kits incl. UHF modulator, and plug into TV set aerial socket. **SPECIAL OFFER TEXAS XM11 Decoder,** new and tested, limited quantity at 1/3 price. £60 p/p £1.40. Stab. power supply (5v) for Teletext decoders, £5.80 p/p £1. Thorn design XM11 interface unit, £1.80, p/p 80p. **NEW SAW FILTER IF AMP PLUS TUNER** (complete & tested for sound & vision), £28.50, p/p £1. **COLOUR BAR & CROSS HATCH GENERATOR KIT (MK4) PAL,** UHF aerial input type, 3 vertical colour bars, R-Y, B-Y, grey scale, etc. P/B controls £35. Batt holders £1.50 or stab. mains power supply kit £4.80. De-luxe case £5.20 or alum. case £2.90, p/p £1.40. Built & tested in De-luxe case (battery) £58 (mains) £70, p/p £1.60. **CROSS HATCH KIT** UHF aerial input type also gives peak white & black levels. batt. op. £11. p/p 45p. Add-on **GREY SCALE KIT** £2.90, p/p 35p. De-luxe case £5.20. **UHF SIGNAL STRENGTH METER KIT** £17.50. Alum. case £1.80. De-luxe case £5.20, p/p £1.40. **CRT TEST & REACTIVATOR KIT** for colour & mono £24.40, p/p £1.80. **COLOUR PANELS,** large selection of tested panels for popular makes (part-ex in shop). **TV SOUND IF TRANSTD.** Tested. £6.80, p/p 85p. **BUSH SURPLUS IF PANELS.** A816 £1.80, TV312 (single I.C.) £5. Z718/BC6100 £5. A823 (Exp) £2.80, p/p 85p. **BUSH 161 series TB panel** A634 £2.80, p/p £1.20. **GEC Series 1 mono panels,** £1.80, p/p £1.30. **GEC 2040 CDA panel** £4.50, p/p £1.20. **PHILIPS G6 S/S conv. panel** £2.50, p/p £1.20. **G8 Decoder panels for spares** £1.80, p/p £1.20. **G9 Signal panels for small spares** £3.80, p/p £1.20. **THORN 3500 Line TB panel** £5, p/p £1. 3000 ex-renalnt panels **IF, VIDEO, DECODER,** £5, p/p £1.20. 8000/8500/9000 Decoders Salvaged £7.50, p/p £1.60. 9000 Line TB (incl. LOPT) salv/spares £7.50, p/p £1.60. **VARICAP UHF TUNERS.** Mullard U321 £6.80. ELC1043/06 £6.80. ELC1043/05 £5.50. G.1. £3.50. Salv. (asstd) £1.50, p/p 60p. **Varicap UHF/VHF ELC2000S** £8.50. Bush (dual) £7.50, p/p 70p. **TOUCH TUNE CONTROL units.** Bush (6 pos) £4.50, p/p 80p. **VARICAP CONTROL UNITS** 3 pos. £1.20, 4 pos. £1.50, 5 pos. £1.80. 6 pos. £1.80, 6 pos. special offer £1, p/p 45p. **UHF transd. Tuners** (rotary) incl. s/m drive £2.50, 4 pos. P/B £2.50, 6 pos. P/B £4.20, p/p £1.20. (Special types available, details on request). **DL50 Delay Line** £2.50, p/p 50p. Large selection of **LOPTS, Triplers, Scancoils, Mains Droppers,** and other spares for popular makes of colour and mono receivers. **PLEASE ADD 15% VAT TO ALL PRICES. — MANOR SUPPLIES, 172 WEST END LANE, WEST HAMPSTEAD, LONDON, N.W.6. SHOP PREMISES. Tel. 01-794 8751, 794 7346.** Easily accessible W. Hampstead Jubilee Tube & Brit. Rail N. London (Richmond-Broad St.) and St. Pancras-Bedford. Buses 28, 159, 2, 13. Callers welcome. Thousands of additional items not normally advertised available at shop premises. Open daily all week incl. Saturday (Thursday half day). **MAIL ORDER: 64 GOLDERS MANOR DRIVE, LONDON NW11 9HT. PLEASE ADD 15% VAT to all prices.** (60)

BUILDING RAMS?

Why waste time hand-wiring RAMS? This 5 3 x 2 5 inch professional plated thru PCB mounts on your prototyping board looking like an 8K byte TTL compatible static RAM 13 address lines, 8 data I/O write enable 2 neg and 1 positive card selects
Assembled with sockets, pins and caps, just plug in 16 2114 and 1 74LS138 £21 Bare board £15 no VAT, post paid
Ibix Electronic Design
56H Norris Hill Drive
Heaton Norris
Stockport, Cheshire (850)

ARTICLES FOR SALE

When the CB Boat comes in Don't miss it!



You can now, for an initial order commitment of only £1000 . . .

- Sell high profit legal accessories from July 1st.
- Establish a diversified business that is due to escalate rapidly.
- Join an established wholesale UK network that is poised for distribution of CB sets when legalised.
- Be ready for the massive potential business of an estimated 5 million new customers.

In the first instance if you think you are a suitable applicant, you should complete the coupon below.

TO: Des Walsh, Tritel,
1043 Leeds Road, Bradford 3.
Tel: (0274) 665378. Telex: 557323 TristoG

Please send me details of how I can join Tritel's CB network.

Company Title

Principal

Address

Nature of Business



WW - 075 FOR FURTHER DETAILS

TIME WRONG?

MSF CLOCK is ALWAYS CORRECT never gains or loses. SELF SETTING at switch-on. 8 digits show Date, Hours, Minutes and Seconds. can expand to Years, Months and Milliseconds, auto GMT/BST and leap year. also parallel BCD output and audio to record and show time on playback. receives Rugby 60KHz atomic time signals. built-in antenna. 1000Km range. ABSOLUTE TIME. £54.80.

60KHz RUGBY RECEIVER, as in MSF Clock, serial data output. £15.70

Each fun-to-build kit includes all parts, printed circuit, case, postage etc. money back assurance. so GET yours NOW.

CAMBRIDGE KITS, 45 (WS) Old School Lane, Milton, Cambridge. (1032)

8 bit d/a converter £20.00
data sheet FREE

REMLOCK DESIGN LTD.
149 LONDON ROAD
HIGH WYCOMBE
BUCKS. 1042

FOR SALE. Solartron Shlumberger 4000C synthesised siggen AM/FM. £2,000. Gallencamp oven 30-200 degrees C. 2.5 cu ft inside dimensions £150. Oscilloscopes. Telegonimeter D75 £550. Advance OS2000 £250. HP 180 £300. Tektronix 581A with 1A1 plug in £250. Tektronix 581A with 82 plug in £250. Bridge megger solid state 500 volts £50. Farnell switched mode P.S.U. 5 volts at 40 amps £100. Multimeters (British) 20,000 ohms/volt. in leather case £25. IIT Pseudo Eprom programmer £850. Solartron D.V.M. 7050 £200. Marconi TF 1101 AF. oscillator £80. Hatfield attenuator 600 ohms 100Db in 9 steps £60 type 2125. Marconi "Q" meter TF1245 and TF1246 oscillators and TF1247-£600. Please add postage and VAT. "Q" Services, 29 Lawford Crescent, Yateley (871048). Camberley. Surrey. (1040)

INVERTERS

High quality DC-AC. Also "no break" (2ms) static switch, 19" rack. Auto Charger.



COMPUTER POWER SYSTEMS
Interport Mains-Store Ltd.
POB 51, London W11 3BZ
Tel: 01-727 7042 or 0225 310916 (9101)

G.W.M. RADIO LTD. 40/42, Portland Road, Worthing, Sussex. Telephone 34897 for surplus, wholesale and retail. Eddystone 770 VHF Receivers £150 plus carriage. Ex-Government and Marine Communications receivers for callers. Changing stocks of test equipment, part exchanges, etc. Radio telephone equipment supplied to the trade. Mascot 70 CT 42244/11 termination unit. Model 7 Avometers £32 incl. Some Avometer movements available for selection by callers. Dashboard watches by Golyay £35 each incl. **WANTED** end lots and runs for shop and mail order. Test equipment. Large or small lots of factory surplus. R/T sets and systems. (1070)

VIDEO FOR SALE. Philips N1700 VCR LP plus six tapes 2 1/2 hours each. Excellent condition. Little used. £245. Private sale. Tel: office hours 01-460 6174. Also, 5C/450A valves. Two for sale. Any offers.

FOR SALE. PDP 8 computer plus Basic plus Fortran plus Focal etc. £150 o.n.o. Also P.S.U.s DC 9V/5V/variable (stabilised) £7 o.n.o. — Telephone Braintree, Essex. 24118. (1069)

THE SCIENTIFIC WIRE COMPANY

P.O. Box 30, London, E.4
01-531 1568

ENAMELLED COPPER WIRE

SWG	1lb.	8oz.	4oz.	2oz.
8 to 29	2.76	1.50	0.80	0.60
30 to 34	3.20	1.80	0.90	0.70
35 to 39	3.40	2.00	1.10	0.80
40 to 43	4.75	2.60	2.00	1.42
44 to 47	8.37	5.32	3.19	2.50
48 to 49	15.96	9.58	6.38	3.69

SILVER-PLATED COPPER WIRE

14 to 30	6.50	3.75	2.20	1.40
----------	------	------	------	------

TINNED COPPER WIRE

14 to 30	3.85	2.36	1.34	0.90
----------	------	------	------	------

Prices include P & P, VAT and Wire Data. Orders under £2 please add 20p. SAE for List. Dealer enquiries welcome.

BUGGED? UNDER SURVEILLANCE?

THE BUGGING GAME

is a unique, previously restricted book describing modern counter-surveillance and eavesdropping techniques. A virtual encyclopedia of "hidden knowledge" it tells ALL YOU NEED TO KNOW about professional and secret service methods! PART 1 TELEPHONE SYSTEMS PART 2 RADIO & MICROPHONE SYSTEMS PART 3 ELECTRONIC SURVEILLANCE & COUNTERMEASURES. 300 pages of unobtainable information! DON'T WAIT! this book could easily disappear from the market. Price £9 per set including postage. CYBERSCAN INTERNATIONAL, 35 Dell Farm Road, Ruislip, Middlesex HA4 7TX. Tel (089561) 73265 (1034)

PRINTED CIRCUITS. Make your own simply, cheaply and quickly! Golden Fotolac Light Sensitive Lacquer — now greatly improved and very much faster. Aerosol cans with full instructions. £2.25. Developer 35p. Ferric Chloride 55p. Clear Acetate sheet for master 14p. Copper-clad Fibre-glass Board approx. 1mm thick 11.75 sq. ft. Post Packing 60. — White House Electronics, Castle Drive, Praa Sands, Penzance, Cornwall. (714)

MANUFACTURER has surplus test equipment and components for sale, large SAE for list R. Dutton, 80 Wheatland Lane, Wallasey, Merseyside L44 7EH. (970)

VLF MONITOR SYSTEM 10-200khz. Consists receiver, Spectrum analyser, Marker generator, £550. Also Bradley CT471 Electronic Multimeter £58. — Telephone Paignton (0803) 554345. (1068)

FR DX-400 AMATEUR BAND RECEIVER. 160m to 2m including CB and 4m. AM, FM, SSB with matching speaker, mint condition. £185. — Telephone Swanley (Kent) 63968. (1067)

ARTICLES WANTED

SPOT CASH

paid for all forms of electronics equipment and components.

F.R.G. General Supplies
550 Kingston Road
Leeds SW20 8DR

Tel: 01-404 5011

Telex: 24224. Quote Ref. 3165 (8742)

WANTED

Test equipment, receivers, valves, transmitters, components, cable and electronic scrap, any quantity. Prompt service and cash. Member of A.R.R.A

M & B RADIO
86 Bishopsgate Street
Leeds LS1 4BB
0532-35649

STORAGE SPACE is expensive, why store redundant and obsolete equipment? For fast and efficient clearance of all test gear, power supplies, PC boards, components, etc., regardless of condition or quantities. Call 01-771 9413. (8209)

COLLECTOR requires 1920/39 wireless crystal T.V. set. Also interesting wireless items of the period. — Tel Sevenoaks 62311. (947)

SERVICES

CIRCOLEC

THE COMPLETE ELECTRONIC MANUFACTURING SERVICE
Let us realise all or any part of your project from prototypes to production, from artwork design and component sourcing, through assembly and test to final quality assurance, packing and delivery. We also provide a test, repair and modification service to suit your individual requirement.

Free Offer! Ring for details of a free introductory offer to our sub-contract PCB assembly service.
CIRCOLEC FREEPOST (no postage required) London SW17 8BR

Telephone: 01-767 1233

NEW! Access, Barclaycard, Diners Card now welcome for payment. (544)

PRINTED CIRCUIT BOARDS

Manufactured, any quantity, competitive prices, roller tinned, photographic and artwork services available.

MAYLAND PCB CO. LTD.

4 The Drive
Maylandsea, Chelmsford, Essex
Tel: 0621 741560

(997)

P.C.B. MANUFACTURE AND ASSEMBLY

Wave Soldering and inspection. High quality PCBs from your artwork. Prototype design. Artwork from your circuit. Fast turnaround.

Endean Communications Services Ltd.,
Baileys Mill, The Cliff, Matlock, Derbys.
(0629) 4929. Tlx. 378267 ECS G.

(859)

SMALL BATCH PCB'S produced from your artwork. Also **DIALS, PANELS, LABELS.** Camera work undertaken. **FAST TURNAROUND.** — Details: Winston Promotions, 9 Hatton Place, London EC1N 8RV. Tel. 01-405 4127/0960. (9794)

DESIGN AND DEVELOPMENT. ANALOGUE, DIGITAL, RF AND MICROWAVE CIRCUIT AND SYSTEM DESIGN. Also PCB design, mechanical design and prototype/small batch production. — Adenmore Limited, Unit 103 Liscombe, Bracknell, Berks. Tel: Bracknell 52023. (656)

ELECTRONIC DESIGN SERVICES. MICROPROCESSOR HARDWARE and SOFTWARE design facilities have now been added to our established expertise and comprehensive test facilities previously available to you for ANALOGUE and COMMUNICATIONS designs. — For fastest results please phone Mr. Anderson, Andertronic Ltd, Ridgeway, Hog's Back, Seale (nr. Farnham), Surrey, 02518-2639. (275)

BUSINESS FOR SALE

FOR SALE

Long Established

FULLY EQUIPPED TV TUBE REBUILDING PLANT

Own Freehold Factory Building. Customs delivery van, land for expansion. Would suit group buyers, or rental company, to produce own tubes of following types Colour, Delta - Inline - Mono - 20mm Portable. Present stock of tubes. Owner wishes to retire. No reasonable offer refused.

Replies: Box No. 1041 (1041)

Phone your Classifieds

to

JAYNE PALMER

on

01 661 3033

P.C.B. PROTOTYPE and small batch production. Design layout, assembly and testing. Fast, reliable service. Wye Valley Electronics, 15 High St, Lydney, Glos. Tel: Dean (0594) 41267. (365)

SHEET METAL WORK, fine or general front panels chassis, covers, boxes, prototypes. 1 off or batch work, fast turnaround. 01-449 2695. M. Gear Ltd., 179A Victoria Road, New Barnet, Herts. (812)

DESIGN SERVICE. Electronic Design Development and Production Service available in Digital and Analogue Instruments, RF Transmitters and Receivers for control of any function at any range. Telemetry, Video Transmitters and Monitors, Motorised Pan and Tilt Heads etc. Suppliers to the Industry for 16 years. Phone or write Mr. Falkner, R.C.S. Electronics, 6 Wolsey Road, Ashford, Middlesex. Phone Ashford 53661. (8341)

TURN YOUR SURPLUS Capacitors, transistors, etc, into cash. Contact COLES-HARDING & Co., 103 South Brink, Wisbech, Cambs. 0945-4188. Immediate settlement. We also welcome the opportunity to quote for complete factory clearance. (9509)

PRINTED CIRCUIT MANUFACTURE. Very fast, reliable service. Lowest prices. Prototypes welcome. Inhouse photography. Phone 0674-573 for instant quote or write to AKRONICS Ltd., 42/44 Ford Street, Moretonhampstead, Devon. (9857)

EQUIPMENT WANTED

TO ALL MANUFACTURERS AND WHOLESALE IN THE ELECTRONIC RADIO AND TV FIELD

BROADFIELDS & MAYCO DISPOSALS

will pay you top prices for any large stocks of surplus or redundant components which you may wish to clear. We will call anywhere in the United Kingdom

21 LODGE LANE
NORTH FINCHLEY, LONDON N12 8JG
Telephone Nos. 01-445 0749/445 2713
After office hours 958 7624 (9123)

CAPACITY AVAILABLE

PCB ARTWORK DESIGN SERVICE with component notation masters and assembly drawings. PADS Electrical Ltd, 01-850 6516, 45 Southwood Road, New Eltham SE9. (7905)

COURSES

CCAT
CAMBRIDGESHIRE COLLEGE
OF ARTS AND TECHNOLOGY

Courses in Electronics

BSc IN ELECTRONIC ENGINEERING

A four year part-time degree course for mature students. Of particular interest to those engaged in Digital, Telecommunications or Control Systems. Entry qualification required is an HNC or equivalent in Electrical and Electronic Engineering or Applied Physics. This CNAA degree is considered by the Council of Engineering Institutions as meeting their C.Eng. academic requirements.

CEI PART II

One year full-time or two years part-time course in preparation for the CEI Part II examination which is the present academic qualification for Chartered Engineers. Subjects offered include Electronics, Communication, Control and Computer Engineering. Entrants should have passed CEI Part I or have been exempted; holders of HNC and endorsements or HND are so qualified.

Further details and application forms are available from the Information Office, Room H268, Cambridgeshire College of Arts and Technology, Cambridge, CB1 2AJ. Telephone (0223) 63271. (1026)

CAPACITY AVAILABLE

I.H.S. SYSTEMS

Due to expansion of our manufacturing facilities we are able to undertake assembly and testing of circuit boards or complete units in addition to contract development

We can produce, test and calibrate to a high standard digital analogue and RF equipment in batches of tens to thousands.

Telephone to arrange for one of our engineers to call and discuss your requirements, or send full details for a prompt quotation.

TEL. 01-253 4562

or reply to Box No. WW 8237 (8237)

P.C.B.s WIRING assembly looms, coils, instruments, quality design prototype and production service in house or on site. — Batvale Ltd, Ely (0353) 778756. (982)

P.C.B. DESIGNS on circuit diagrams, etc. Competitive hourly rates, quotes free, cheaper hourly rates for solder resists and legends. — Helstead Designs Ltd, Helstead. Tel: 0787-477408. (869)

PRINTED CIRCUIT BOARDS. Conventional double and single sided PS boards. Fast prototype and production runs. Contact John Richards, Phototechnique, 11 Old Witney Road, Eynsham, Oxford. Telephone Oxford (STD 0865) 880645.

PRINTED CIRCUIT BOARD MANUFACTURE. Speedy service with reliability at low prices. Single/double sided board. Prototypes or quantity runs. Design layout if required or send us your own artwork. Contact: J. Harrison, Board-raven Ltd., Lancaster Road, Carnaby Industrial Estate, Bridlington, North Humberside, YO16 3QY. Telephone (0262) 78788. (443)

PCB ASSEMBLY

CAPACITY AVAILABLE

Low or high volume, single or double sided, we specialise in flow line assembly of printed circuit boards.

Using the Zevatron flow soldering system and on line lead cutting, we are able to deliver high quality assemblies on time, and competitively priced. Test facilities available.

Find out how we can help you with your production. Phone or write. We will be pleased to call on you and discuss your requirements.

TW ELECTRONICS LTD.

120 NEWMARKET ROAD
BURY ST. EDMUNDS, SUFFOLK
TEL: 0284 3931

Sub-contract assemblers and wireers to the Electronics Industry (9068)

ELECTRONIC DESIGN SERVICE. Immediate capacity available for circuit design and development work, PC artwork, etc. Small batch and prototype production welcome. — E.P.D.S. Ltd., 93b King Street, MAIDSTONE, Kent. 0622-677916. (9667)

REPAIR SERVICE (PCBs) servicing electronic PCB assemblies our speciality. Programmable automatic test equipment used to service your PCBs, fast efficient service. For quotation telephone Campbell & Campbell, Shrewsbury (0743) 65748. (993)

COMPARE our charges, quality and turnaround for printed board artworks, assembly, test and prototype manufacture. Please phone Sharon Halfhide on Chelmsford 357935 or write to H.C.R. Artwork Designs, 1 Bankside, off New Street, Chelmsford. Essex. (557)

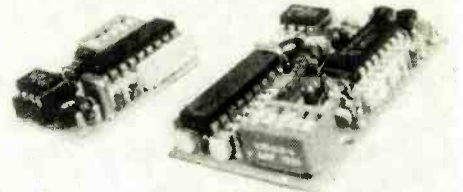
RELIABLE TONE MUTE FOR YOUR TWO WAY RADIO

The Communication Specialists' range of tone units are probably the most advanced products available today. Custom designed CMOS large scale integrated circuits and crystal control ensure consistent performance. Operate from supplies between 6 and 30V DC, and select tones without measuring equipment. Fitted to a wide range of differing manufacturers' equipment throughout U.S.A. and U.K.

We are Sole U.K. Representatives for Communication Specialists

ZYCOMM ELECTRONICS LIMITED

47 Pentrich Road Ripley Derby DE5 3DS Tel: (0773) 44281 Tlx: 377466



TS32 — Encoder/Decoder (Dencoder). Programmable to give any of one of 32 sub audible tones using DIP switch. Size 32 x 26 x 11mm.

SS32 — Encoder. Programmable to give any one of 32 sub audible or Group B (Test, Burst or Touch Tones). Size 23 x 33 x 11mm.

Send for full colour leaflet.

WW — 89 FOR FURTHER DETAILS

INDEX TO ADVERTISERS MAY

Appointments Vacant Advertisements appear on pages 121-132

PAGE		PAGE		PAGE	
Acoustical Manufacturing Co Ltd, The	2	Global Specialties Corp.	77	Pascall Electronics Ltd	19, 29
Ambit International	18, 19	GP Industrial Elec. Ltd	21	Pace Musical	18
Anglia Components	24	Hall Electric	23	P.B.R.A. Ltd	100
AP Products	cover iii	Hameg	101	P.M. Components	30
Audio Electronics	27	Happy Memories	106	Powertran Electronics	97, 99
Avel Lindberg	78	Harris Electronics (London) Ltd	30	P&R Computer Shop	106
Bamber Electronics	16	Harrison Brothers	96	Practical Wireless	98
Barrie Electronics Ltd	101	Hart Electronic Kits Ltd	102	Pye Unicam	10
Bayliss, A.D.	96	Henrys Radio	18, 96	Radio Components Specialists	103
BDS Microsystems Ltd	29	ILP Electronics Ltd	94, 95	Radio Society of Great Britain	114
Breuns Electronics	100	ILP Transformers Ltd	11	Ralfe, P. F.	100
Brewster, S. & R.	64	Integrex Ltd	35	Rediffusion Reditronics Ltd	108
Carston Electronics Ltd	17	Interface Quartz	13	RST Valves	105
Catronics	30	Irvine Business Systems	108	RTR	98
Chiltmead Ltd	93	Keithley Instruments	cover iv	Safgan Electronics	28
CIL Electronics Ltd	106	Kelsey Acoustics	29	Sagin	115
Chiptech Ltd	104	Kirkham Amplifier	31	Sandwell Plant	115
Clark Masts Ltd	28, 104	Langrex Supplies Ltd	105	Science of Cambridge	8, 9
Clef Products (Electronics) Ltd	100	Levell Electronics	5	Scopex Instruments Ltd	33
Colomor	96	LJ Electronics Ltd	78	Service Trading	107
Continental Specialists	77	Lowe Electronics	113	Siemens	110
Costronics	20	Maplin Electronic Supplies	14	Shure Electronics	36
Cotswold Electronics Ltd	78	Marshall, A. (London) Ltd	32	Sinclair Elec.	63, 115
Crimson Elektrik	24	Midwich	21	S.M.E. Ltd	15
Danavox (GB) Ltd	12	Mills, W.	115	Southern Elec.	98
Darom Supplies	108	Modus Systems	22	Sowter, E. A. Ltd	32
Display Electronics	109, 112	MTL	98	Special Products Ltd	13
Drallim Davies	26	Mura Electronics	20	Strumech Eng'g	32
Elektor Publishers	26	Northern Electronics	115	Strutt Electrical & Semel	22, 110
Electronic Brokers Ltd	4, 5, 6, 7, 11, 13	Ocean Applied Research	25	Sunita	112
Electronic Equipment	112	OMB Electronics	20	Surrey Electronics Ltd	102
Electronic Measurement	98	Orion	26, 102	Technomatic Ltd	111
Electro-Tech Comps Ltd	16	Orme Scientific	110	Teloman Products Ltd	29
Faircrest Eng	26	Pascall Electronics Ltd	19, 29	Titan	114
Farnell Instruments	22, cover ii, readers card	Pace Musical	18	Valradio Ltd	24
FH Precision Engineers	98	P.B.R.A. Ltd	100	West London Direct Supplies	106
Fylde	28	P.M. Components	30	Wilmslow Audio	34
		Powertran Electronics	97, 99	Zaerix	25
		P&R Computer Shop	106	Zycomm Electronics Ltd	128
		Practical Wireless	98		
		Pye Unicam	10		
		Radio Components Specialists	103		
		Radio Society of Great Britain	114		
		Ralfe, P. F.	100		
		Rediffusion Reditronics Ltd	108		
		RST Valves	105		
		RTR	98		
		Safgan Electronics	28		
		Sagin	115		
		Sandwell Plant	115		
		Science of Cambridge	8, 9		
		Scopex Instruments Ltd	33		
		Service Trading	107		
		Siemens	110		
		Shure Electronics	36		
		Sinclair Elec.	63, 115		
		S.M.E. Ltd	15		
		Southern Elec.	98		
		Sowter, E. A. Ltd	32		
		Special Products Ltd	13		
		Strumech Eng'g	32		
		Strutt Electrical & Semel	22, 110		
		Sunita	112		
		Surrey Electronics Ltd	102		
		Technomatic Ltd	111		
		Teloman Products Ltd	29		
		Titan	114		
		Valradio Ltd	24		
		West London Direct Supplies	106		
		Wilmslow Audio	34		
		Zaerix	25		
		Zycomm Electronics Ltd	128		

OVERSEAS ADVERTISEMENT

AGENTS:

France & Belgium: Norbert Hellin, 50 Rue de Chemin Veat, F-9100, Boulogne, Paris

Hungary: Mrs Edit, Bajusz, Hungexpo Advertising Agency, Budapest XIV, Varosliget, Telephone: 225 008 - Telex: Budapest 22-4525 INTFOIRE

Italy: Sig C. Epis, Etas-Kompass, S.p.a. - Servizio Estero, Via Mantegna 6, 20154 Milan, Telephone: 347051 - Telex: 37342 Kompass

Japan: Mr. Inatsuki, Trade Media - IBPA (Japan), B.212, Azabu Heights, 1-5-10 Roppongi, Minato-ku, Tokyo 106, Telephone: (03) 585 0581.

United States of America: Ray Barnes, IPC Business Press, 205 East 42nd Street, New York, NY 10017 - Telephone: (212) 867-2080, Telex: 238327.

Mr Jack Farley Jnr., The Farley Co., Suite 1584, 35 East Walker Drive, Chicago, Illinois 60601 - Telephone: (312) 63074

Mr Victor A. Jauch, Elmatex International, P.O. Box 34607, Los Angeles, Calif. 90034, USA - Telephone (213) 821-8581 - Telex: 18-1059.

Mr Jack Mentel, The Farley Co., Suite 650, Ranna Building, Cleveland, Ohio 44115 - Telephone: (216) 621 1919.
Mr Ray Rickles, Ray Rickles & Co., P.O. Box 2028, Miami Beach, Florida 33140 - Telephone (305) 532 7301.
Mr Tim Parks, Ray Rickles & Co., 3116 Maple Drive N.E., Atlanta, Georgia 30305, Telephone: (404) 237 7432.
Mike Loughlin, IPC Business Press, 15055, Memorial Ste 119, Houston, Texas 77079 - Telephone (713) 783 8673.

Canada: Mr Colin H. MacCulloch, International Advertising Consultants Ltd., 915 Carlton Tower, 2 Carlton Street, Toronto 2 - Telephone (416) 364 2269.

* Also subscription agents.



**AP DIP JUMPERS LOWEST PRICE IN THE UK.
NEW AP LOW-PROFILE "D" SUB MINIATURE JUMPERS
ALL RS232 COMPUTER LINK UP PROBLEMS SOLVED
FREE TC16 WITH EVERY SUPERSTRIP SOLD**



	PART NO	CONTACTS	LENGTH INCHES	DESCRIPTION	PRICE
MALE-END	924 229-18	25	18	25 PIN MALE SINGLE END 18" LONG	5.97
	924 222-18	25	18	25 PIN FEMALE SINGLE END 18" LONG	6.04
	924 269-36	25	36	25 PIN MALE TO MALE DOUBLE END 36"	11.73
	924 299-36	25	36	25 PIN MALE TO 24 PIN DIP 36"	8.35
FEMALE-END	924 339-36	25	36	25 PIN MALE TO 26 PIN SOCKET 36"	10.50
	924 262-36	25	36	25 PIN FEMALE TO FEMALE DOUBLE END 36"	11.50
	924 292-36	25	36	25 PIN FEMALE TO 24 PIN DIP 36"	8.75
	924 332-36	25	36	25 PIN FEMALE TO 26 PIN SOCKET	8.75
	924 382-36	25	36	25 PIN FEMALE TO 25 MALE 36"	11.50

ALSO WITH 9, 15, 37 CONTACTS ANY STYLE HUGE DISCOUNTS FOR QUANTITY

AP sub-miniature "D" jumpers have the lowest front to back profile in the world and come to you fully assembled, tested and ready to use. They are directly replaceable with existing "D" connections.

**DIP-DIP-DIP-DIP-DIP JUMPERS
AP DIP JUMPERS ARE THE LOWEST PRICE IN THE UK**

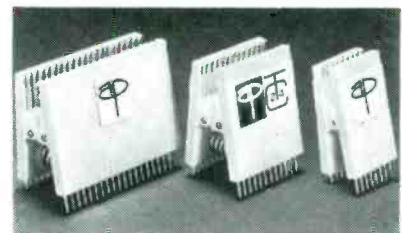


- EX-STOCK DELIVERY
- 5 STANDARD LENGTHS
6, 12, 18, 24, 36"
- WITH 14, 16, 24, 40 CONTACTS
- FULLY ASSEMBLED AND TESTED
- INTEGRAL MOULDED ON STRAIN RELIEF
- LINE BY LINE PROBEABILITY

SINGLE-ENDED		DOUBLE-ENDED all prices 1-9 off. Huge discounts for quantity					
CONTACTS	24"	CONTACTS	6"	12"	18"	24"	36"
14	£1.67	14	£2.11	£2.21	£2.31	£2.43	£2.63
16	£1.89	16	£2.33	£2.45	£2.58	£2.66	£2.97
24	£2.74	24	£3.45	£3.62	£3.78	£3.94	£4.30
40	£4.38	40	£5.31	£5.61	£5.91	£6.22	£6.81

We can supply DIP, SOCKET, PCB, CARD-EDGE RS232, assemblies made-up, tested, ready for use, cheaper than you can buy the parts, ask for quote.

TEST-CLIP TEST-CLIP



Clip an AP TEST-CLIP over an IC and you immediately bring up all the leads from the crowded board into an easy working level.

22 NEW AP TEST-CLIPS TO PICK FROM

examples:

TC 14	923695	£2.76
TC 16	923700	£2.91
TC 24	923714	£8.50
TC 40	923722	£12.88

**ADVENTURES ON THE IC'S
A SPECIAL £6 OFF OFFER**



EBBO DISCRETE STARTER PACK
Normal Price £6.67



ADVENTURES WITH ELECTRONICS
Normal Price £2.30

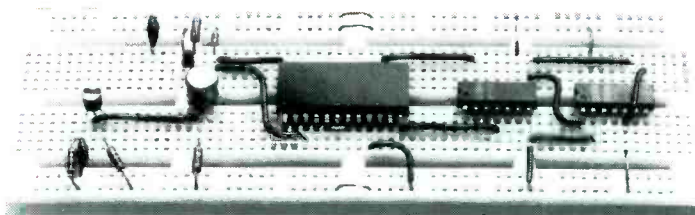
ALL COMPONENTS TO BUILD ALL 16 PROJECTS

Normal Price £17.25

TOTAL PRICE ONLY £19
incl VAT post & packing

ANYBODY CAN BUILD ELECTRONIC PROJECTS WITH EBBO BOARDS. We supply EBBO block, adventures with electronics book which gives step by step instructions to build 16 projects including: chip radio, two transistor radio, electronic organ etc. and every component needed. Nothing else to buy.

SUPERSTRIP SS2 THE BIGGEST SELLING BREADBOARD IN THE WORLD

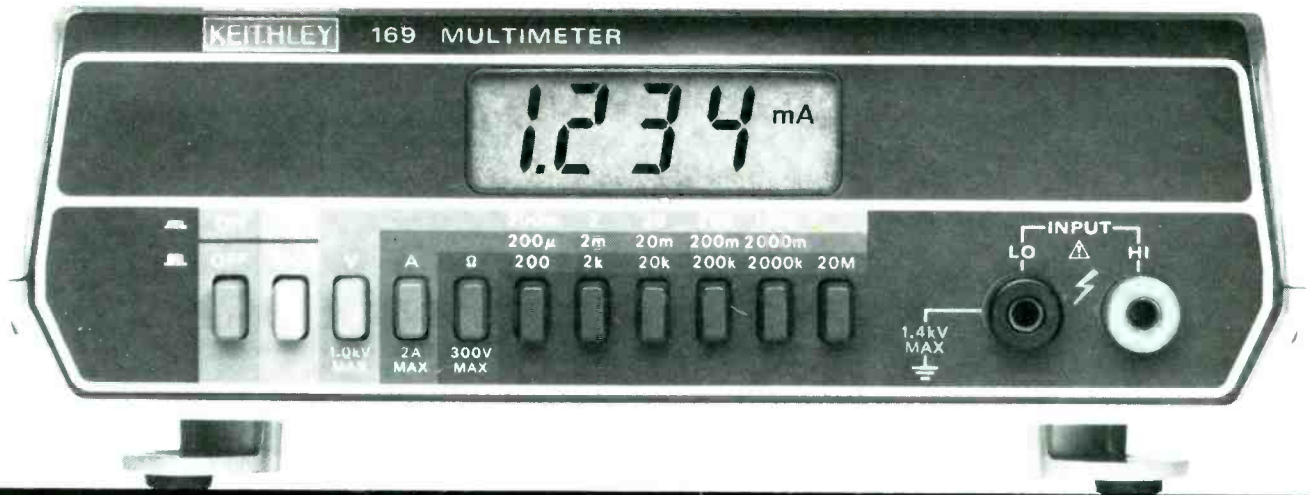


When you buy a SUPERSTRIP BREADBOARD you buy a breadboard to last you for ever, we give you a LIFETIME guarantee. SUPERSTRIP is the most used breadboard by hobbyists, professionals and educationalists because it gives you more for your money... With 840 contact points SUPERSTRIP accepts all DIP's and discrete components and with eight bus bars of 25 contact points each SUPERSTRIP will take up to nine 14-pin DIP's at any one time. You should only buy a breadboard once so buy the biggest seller with a lifetime guarantee. **SUPERSTRIP SS2 923252 PRICE INCL VAT £9.78**



All prices shown are recommended retail incl. VAT
In difficulty send direct, plus 50p P & P.
Send S.A.E. for a free copy of colour catalogues detailing our complete range.

AP PRODUCTS, PO BOX 19, SAFFRON WALDEN, ESSEX, (0799) 22036



HIGH QUALITY



WIDE CHOICE

Keithley D.M.M. Test Equipment:
Quality. With machines like the 169 shown above. 3½ digits; .25% accuracy. A no-nonsense five function D.M.M. at a no-nonsense price.

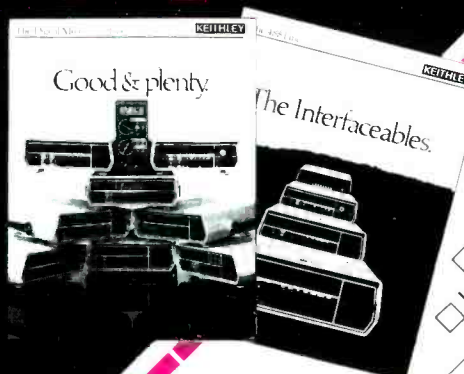
Choice. The Keithley range spans Pocket, 3½, 4½, 5½ digit D.M.M.'s; many with I.E.E.E. options. So we can be sure of having exactly the right product for your own requirements. Built to a standard that very few people can equal.

LOW COST

Cost. And at a price even fewer can match. From £79 + V.A.T., Keithley D.M.M. test equipment is backed by the resources of a specialist company with a formidable reputation. To find out more, just fill in the coupon, and get your free literature today.

KEITHLEY

Keithley Instruments Ltd.
1 Boulton Road Reading Berkshire RG2 0NL
Telephone (0734) 861287
Telex 847047



I would like to know more about
Keithley D.M.M.'s: I am particularly
interested in: 3½ Digit Models 4½ Digit Models 5½ Digit Models
 I.E.E.E. Position

Name _____
Company _____
Address _____
Tel _____

WW 004 FOR FURTHER DETAILS