

High Performance Power Spectrum Analysis Using a FPGA Based Reconfigurable Computing Platform

Yogindra Abhyankar, Sajish C, Yogesh Agarwal
 Hardware Technology Development Group
 Centre for Development of Advanced Computing
 Pune 411 007, India
 yogindra@cdac.in

C.R. Subrahmanya, Peeyush Prasad
 Department of Astronomy and Astrophysics
 Raman Research Institute
 Bangalore 560 080, India
 crs@rri.res.in

Abstract

Power-spectrum analysis is an important tool providing critical information about a signal. The range of applications includes communication-systems to DNA-sequencing. If there is interference present on a transmitted signal, it could be due to a natural cause or superimposed forcefully. In the latter case, its early detection and analysis becomes important. In such situations having a small observation window, a quick look at power-spectrum can reveal a great deal of information, including frequency and source of interference.

In this paper, we present our design of a FPGA based reconfigurable platform for high performance power-spectrum analysis. This allows for the real-time data-acquisition and processing of samples of the incoming signal in a small time frame. The processing consists of computation of power, its average and peak, over a set of input values. This platform sustains simultaneous data streams on each of the four input channels.

1. Introduction

The concept and use of power spectrum of a signal is fundamental in engineering - in communication systems, microwave and radars. Recently, it is also being used in diverse applications such as gene identification. In a typical transmit-receive system, if the received signal is pure and as expected, no filtering is required. However, on the other-hand, any interference overriding the received signal may require certain analysis in order to know more about the interference. As the interference tends to pump additional power in the received waves, the power becomes a useful criterion for such an analysis. Using the reverse-engineering techniques, the excess power information with the incoming signal may help in finding the characteristics

of the interface such as frequency, source etc.

A power spectrum [5] is a representation of the magnitude of the various frequency components of a signal. By looking at the spectrum, one can find how much energy or power is contained in the frequency components of the signal. Analysis or evaluation of the power spectrum is one of the ways of isolating noise.

There are a couple of techniques for generating the power spectrum. The most common one is by using the Fourier transform [6]. The other techniques such as the wavelet transform or the maximum entropy method can also be used.

Experimentally, power spectrum can be determined in three ways: (1) Using a spectrum or signal analyzer - a commercial instrument [2] dedicated for displaying the real time power spectra (2) Using a microcomputer based add-on signal analyzer card, or (3) by digitizing experimental data and performing a Fast Fourier Transform (FFT) on a desktop machine.

In terms of cost and complexity, the above-mentioned three options are in the descending order, while considering the flexibility, they are in the ascending order. Dedicated analyzers are some times used, however they may not be cost effective, flexible or competent enough, to extract the interference related information when the observation window is short.

In general, the second option provides additional flexibility, especially when the Field Programmable Gate Array (FPGA) is used.

In this paper we present our design of a very powerful reconfigurable computing based design for solving complex signal functions and real-time analysis. Although this works as an add-on card for a workstation, it is extremely powerful, flexible and relatively cost effective. The power spectrum analysis uses modules developed by us for multi-channel data acquisition and several signal processing operations performed simultaneously on four data channels.

The FPGA based solution allows for the real-time acquisition and processing of samples of the incoming signal. After the data acquisition and analysis, the data is passed to the host, based on the selected options.

Our card sustains simultaneous data streams on each of the four channels for complex algorithms.

We begin this paper by briefly discussing the mechanics behind the power spectrum analysis. Section 3 outlines Reconfigurable Computing and the card used for this work. In Section 4 and 5, we discuss the scheme used for our implementation of power spectrum analysis on the FPGA based reconfigurable hardware and the experimental setup respectively. Finally, we summarize this paper and indicate some directions for future improvements.

2. Power Spectrum Analysis

It is very difficult to detect noise or interference if present in the input signal by merely observing the time domain samples. However, by mapping the signals [8] in frequency domain, the analysis and detection of such signals becomes easy. The signal processing technique, in particular the FFT plays an important role. In 1965, it was practically used by J.W. Cooley and J.W. Tukey of Bell Labs to filter the noisy signals. This divide and conquer technique for a set of N elements reduces the number of complex multiplications to an order of $N * \log_2 N$ from N^2 otherwise required by the Discrete Fourier Transform (DFT).

The power spectrum analysis uses FFT to represent the magnitude of various frequency components of a signal. By observing the spectrum, one can find how much energy or power is contained in the different frequency components of the signal. Analysis of the power spectrum allows isolating noise and provides information related to its source.

3. Reconfigurable Computing (RC)

RC [7] explores the HW/SW solutions where the underlying hardware is flexible and is modified at runtime under software control to accelerate an application. Predominantly, RC uses FPGA, a VLSI chip whose hardware functionality is user-programmable. Putting FPGAs on a PC add-on card or motherboard allows FPGAs to serve as compute-intensive co-processors. It is realized that considerable acceleration may be achieved by targeting algorithms in these application-specific, dynamically programmable flexible parts.

Reconfigurable Computing- the paradigm to accelerate applications using programmable hardware has sufficiently matured. Now, HPC community is looking towards this technology to further enhance the power of clusters for supercomputing needs.

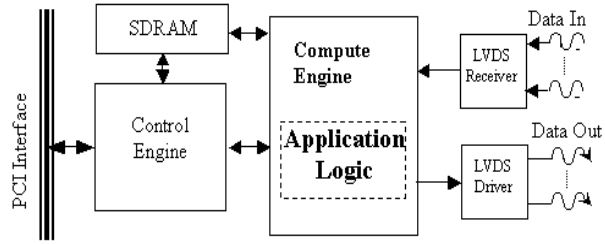


Figure 1. RC card block diagram

The following subsections summarizes the Reconfigurable hardware and the system software used in this experimentation.

3.1. RC card

It is a FPGA based card [4] that can be plugged to a host computer via the 64-bit, 66 MHz PCI bus. This card has two Xilinx FPGAs [3]. Out of these, the larger device, XCV800 is used as a compute engine implementing the application logic. The other FPGA is a XCV300 device that holds the PCI controller and logic to control other devices. When plugged into a PCI slot, the RC card can be assumed to work as a co-processor to the host. Figure 1 shows the RC card block diagram. There is an on-board 128MB of SDRAM and 1MB of ZBT RAM. The SDRAM is useful for storing input, intermediate and final results. The ZBT is suitable for applications where caching is required. The card supports DMA operations.

Input and output data to the card may be supplied from the host using the PCI interface or it can directly come to the card using the LVDS interface [1]. LVDS allows a high speed data transfer in excess of 1 Gbps.

The system software interface for the RC card is implemented over Red Hat Linux operating system. It provides all the basic functionalities in terms of the data transfer and card control irrespective of the intended application. The device driver performs resource management and services to allocate/free DMA buffers. The system software also provides basic services to configure, setup/free resources, send input data, receive output data, initiate computation etc.

4. Power Spectrum Analyzer on RC

The power spectrum analyzer application has mainly two components: the one running on the host system and the other running on the RC card attached to the host. The host controls the initial setup of the application. The raw input data is pre-processed by the RC card, and power, average-power and peak-power values determined. The

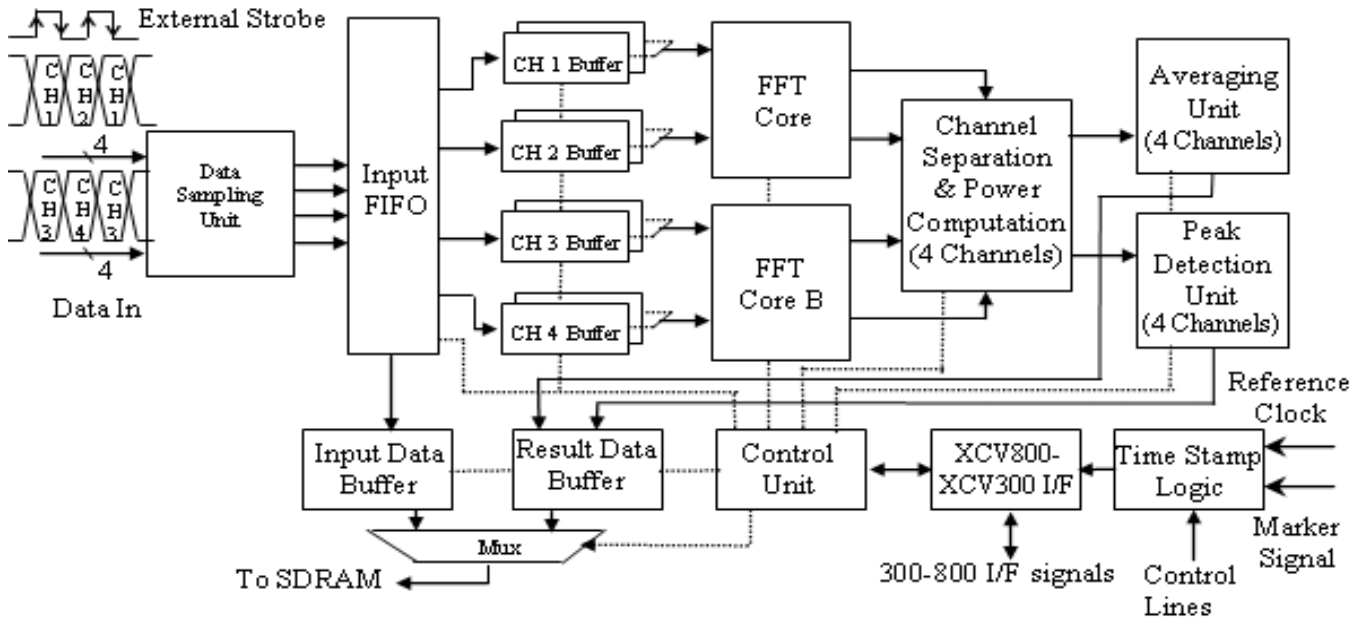


Figure 2. Power spectrum analyzer implemented on compute FPGA

host performs post-processing and other operations on the processed data generated by the RC. This is required to complete the power spectrum analysis.

As shown in figure 1, the input LVDS data-streams are handled by the on-board receivers to provide compatible signals for the compute engine.

The power spectrum computation block that resides in the XCV800 compute FPGA is shown in figure 2. It consists of six main components: Input Sampler and buffers, Multi-channel FFT units, Channel Separator and Power computation unit, Average and Peak Power Computational unit, Time-stamping and control, and the XCV800-XCV300 interface. In the following subsections, we describe these components of the application.

4.1. Input Sampler and buffers

The spectrum analyzer application requires four LVDS channels as inputs, each having a 4-bit data width. However, there are only eight dedicated differential lines for the channels. The channels are time-multiplexed in pairs, i.e. channel-1 and channel-2 goes on four lines, while channel-3 and channel-4 on the remaining four lines. A clock, serving as a strobe is provided. The data to the sampler unit, changes on positive and negative edges of this clock.

The channel-multiplexed input data is passed to the Sampler unit, de-multiplexed and forwarded to channel buffers as well as to the input-data-buffers. The data from the chan-

nel buffers are input to the FFT block, while the data from the input-data-buffers are stored in the SDRAM.

The channel buffering is necessary to collect a block of data before the FFT computation. By using buffer pairs at each FFT input, the data is read and processed by the FFT unit in parallel to the input data streamed by the host in the other buffer. When the FFT core finishes processing the current input data, the memory banks are swapped and the data load and computation continues on the alternate memory bank.

4.2. Multi Channel FFT

This block uses two, 256-point complex-FFT units from Xilinx CoreGen library, working in parallel on the four input data channels. Instead of using them for complex FFT computation having real and imaginary inputs, they are used for processing two real data streams. The units calculate complex FFT according to the following equation:

$$X(k) = \frac{1}{256 \cdot s} \sum x(n) e^{-jn k \frac{2\pi}{256}} \quad (1)$$

Where,

- $x(n)$ is the input sequence $n = 0, 1, 2, \dots, 255$;
- $X(k)$ is the output sequence $k = 0, 1, 2 \dots 255$;
- s is the scaling factor adjusted to 1;

4.3. Channel Separation and power Computation

The channel separation and power computation block separates the FFT values for the two real channels from the complex FFT values, and computes power for each channel.

As a result of the complex FFT, real and imaginary values are obtained in the frequency domain. If the obtained values are $Re[256]$ and $Im[256]$, the two channels are separated using the following set of equations:

$$\begin{aligned} CH1_{real}[N] &= (Re[N] + Re[256 - N]) / (2) \\ CH2_{real}[N] &= (Im[N] - Im[256 - N]) / (2) \\ CH1_{imag}[N] &= (Im[N] + Im[256 - N]) / (2) \\ CH2_{imag}[N] &= (Re[256 - N] - Re[N]) / (2) \end{aligned}$$

Similar equations hold good for channel 3 and 4.

The power values are calculated for each channel as per the following equation:

$$CHx_{pwr}[N] = CHx_{real}[N]^2 + CHx_{imag}[N]^2$$

Where x represents channel number. The power values are positive, 32-bit values, stored internally in Block RAMs.

4.4. Average and Peak Power Computation

The computation of the average of the power values and the peak power values is done in this block. The computed peak and average values are stored into the SDRAM. Averaging of the results over a small period is done, to enable the host software to read the results in parallel. The Power Spectrum values are averaged over a period of 128 Blocks (1Block = 256 points); along with averaging, the peak values observed at each frequency point are stored. All the results obtained are written into the SDRAM. This is called as one Short Term Accumulation (STA) cycle.

4.5. Time Stamp and Control

Time stamp and control block has two 32-bit counters, Timestamp and Marker. These counters are used for time stamping the input data, and operate on a reference clock and a marker signal provided as input. The Timestamp counter runs on the reference clock and is reset on every marker pulse. The Marker-counter increments with every marker pulse and is reset with a reset given to the XCV800. These count values are updated at the very instant a first data comes in a new cycle (1 Cycle = 128 STAs) and is given to the host.

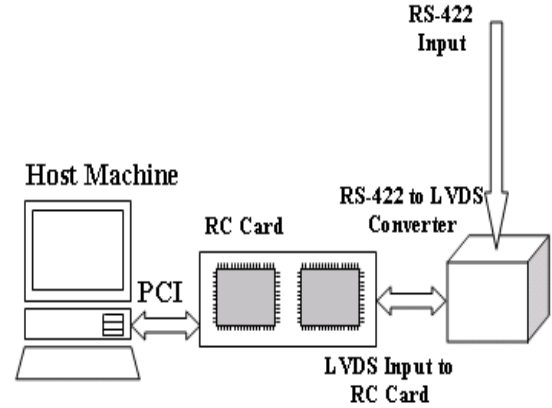


Figure 3. Experimental setup

4.6. XCV800-XCV300 Interface

The XCV800-XCV300 interface allows communication between the compute and control engine. There are a set of control and data lines, a set of registers and a well-defined protocol that allows communication through the interface.

5. Experimental Setup

The experimental setup is shown in Figure 3, where the RC card having LVDS input capturing capabilities is attached to a PCI based host. Since the actual input for the experimental setup is available in the form of RS-422 signals, a small signal converter board for RS-422 to LVDS is designed and connected at the RC card input.

As mentioned in section 4, the code running on the host uses a set of commands to control and initiate the application on the RC card. First of all, XCV800, the compute engine device is configured. After configuration, the device is given a reset.

The SDRAM on the card is used as two circular buffers, one for the input data and the other for the result. The size of each circular buffer is set using the SETUP command. The starting address for input is kept fixed to the 1st location of SDRAM; similarly, the end address for results is kept fixed to the last location of SDRAM. Using the SETUP command, we set the 1st location of the last block address for the input area and starting block address for the result area.

Once the address is setup, the START command is issued to start the compute engine. The Status, Timestamp and Marker count registers are polled to control the application. The Status register keeps a track of the SDRAM address, where the application is currently writing the results. The Timestamp register indicates the current times-

tamp counter value. The Marker count register indicates the current marker counter value.

The processing of the data is stopped by issuing a STOP command. With this, the application neither processes the data nor writes to the SDRAM until a START command is issued.

Giving START after a STOP will restart the acquisition and computation of data, and write results and input-data to the SDRAM. These data values are written to the SDRAM from the starting addresses provided by the SETUP command. The values of timestamp and marker counts, before the STOP command and after the START command indicates the time interval during which the data was not processed.

Computed values of average power and peak power for all the four channels are stored in the SDRAM. The averages are stored in the first 256 locations followed by the peaks in the next 256 locations. The average power is stored as a 32-bit value. The 32-bit peak power information carries the peak power value and the corresponding block index where the peak has occurred.

The host software read the results from the SDRAM in parallel while the application is running. The software synchronizes itself to the application by polling the status register and performing a DMA for reading out the results. We found that when a large DMA is done in parallel with the application, some part of the input data is over-written. By experimenting with various DMA sizes, an optimal DMA size of 4K was obtained that doesn't cause this data loss.

After reading out the results from the RC card, the host performs graphical data analysis with numerous power-frequency plots.

6. Results and Discussions

The hardware modules - Input-sampler-buffer, channel-separator-power-computation, Average-Peak power-computation, and Time-Stamping-Control are all written in VHDL language, simulated using ModelSim 5.8 simulator and synthesized using Xilinx ISE 5.1 tool. All the designed modules were optimized and runs at 66 MHz. The 256-point Complex FFT CoreGen component from Xilinx is instantiated and used along with other modules. In this application, a single 256-point complex FFT component was used to emulate two parallel real FFT blocks. For the 256-point FFT an average of 3 clock cycles are required to calculate one FFT value. Therefore our design can sustain input data rates up to 22 MHz per channel.

We have also examined the reconfigurability of this card, by selectively putting independent bit files for the average power or peak power in the compute engine as per the user requirement.

The complete application for Average power implemented on a XCV800 compute FPGA utilizes around 80% of slices and 92% of block RAM. The application with Peak power computation utilizes around 83% of slices and 92% of block RAM.

One can easily port this application on a Xilinx Virtex-2Pro or Virtex-4 device with a possibility of putting more than 8 FFT cores and multiple power computation units, enhancing the performance by many folds. Here, we will have an added advantage of having inbuilt LVDS signaling.

7. Conclusion

In this paper, we have presented a novel application of reconfigurable computing for the detection of interference using power spectrum analysis. It uses in-house developed modules along with the Xilinx FFT core. The application can also be reconfigured for computation of average power or peak power based on the requirement.

Our design sustains simultaneous real-time data streams on each of the four input channels.

References

- [1] Lvds, national semiconductors. <http://www.national.com/appinfo/lvds/>.
- [2] National instruments, usa. <http://www.ni.com>.
- [3] Xilinx application note, virtex series and xilinx ise 5.1 design environment. <http://www.xilinx.com>, 2001.
- [4] Y. S. Abhyankar, C. Sajish, S. Ghotgalker, Y. Agarwal, and P. Kulkarni. Reconfigurable computing system initiatives at centre for development of advanced computing. In *International conference on Reconfigurable Computing and FPGAs*, September 2004.
- [5] C. Bingham, M. D. Godfrey, and J. W. Tukey. Modern techniques of power spectrum estimation. *IEEE Transactions on audio and electroacoustics*, AU-15(2), June 1967.
- [6] E. O. Brigham. *The fast fourier transform and it's application*. Prentice Hall, 1988.
- [7] K. Compton and S. Hauck. Reconfigurable computing: a survey of systems and software. *ACM Computing Surveys*, 34(2):171–219, June 2002.
- [8] L. R. Rabiner and B. Gold. *Theory and Application of Digital Signal Processing*. Prentice Hall, 1975.