

CALDER - Neutrinoless double-beta decay identification in TeO₂ bolometers with kinetic inductance detectors

E.S. Battistelli¹, F. Bellini^{1,2}, C. Bucci³, M. Calvo⁴, L. Cardani^{1,5},
N. Casali^{1,2}, M.G. Castellano⁶, I. Colantoni¹, A. Coppolecchia¹,
C. Cosmelli^{1,2}, A. Cruciani^{1,2}, P. de Bernardis^{1,2}, S. Di Domizio^{7,8},
A. D'Addabbo³, M. Martinez^{1,2}, S. Masi^{1,2}, L. Pagnanini^{3,9}, C. Tomei²,
M. Vignati^{2,1,a}

¹Dipartimento di Fisica, Sapienza Università di Roma, Roma - Italy

²INFN Sezione di Roma, Roma - Italy

³INFN Laboratori Nazionali del Gran Sasso, Assergi (AQ) - Italy

⁴Institut Néel - CNRS, Saint-Martin-d'Hères - France

⁵Physics Department, Princeton University, Princeton, NJ - USA

⁶Istituto di Fotonica e Nanotecnologie - CNR, Roma - Italy

⁷Dipartimento di Fisica, Università di Genova, Genova - Italy

⁸INFN Sezione di Genova, Genova - Italy

⁹INFN Gran Sasso Science Institute, L'Aquila - Italy

the date of receipt and acceptance should be inserted later

Abstract Next-generation experiments searching for neutrinoless double-beta decay must be sensitive to a Majorana neutrino mass as low as 10 meV. CUORE, an array of 988 TeO₂ bolometers being commissioned at Laboratori Nazionali del Gran Sasso in Italy, features an expected sensitivity of 50-130 meV at 90% C.L., that can be improved by removing the background from α radioactivity. This is possible if, in coincidence with the heat release in a bolometer, the Cherenkov light emitted by the β signal is detected. The amount of light detected is so far limited to only 100 eV, requiring low-noise cryogenic light detectors. The CALDER project (Cryogenic wide-Area Light Detectors with Excellent Resolution) aims at developing a small prototype experiment consisting of TeO₂ bolometers coupled to new light detectors based on kinetic inductance detectors. The R&D is focused on the light detectors that could be implemented in a next-generation neutrinoless double-beta decay experiment.

PACS 23.40.-s, 07.57.Kp, 29.40.Ka, 84.40.Dc

Keywords Neutrinoless double beta decay, Bolometer, Cherenkov detector, Kinetic Inductance Detector

1 Introduction

Bolometers proved to be good detectors to search for neutrinoless double-beta decay ($0\nu\beta\beta$), thanks to the

^ae-mail: marco.vignati@roma1.infn.it

possibility of studying different isotopes, the excellent energy resolution, and the low background they can achieve [1]. The CUORE experiment [2] will search for the $0\nu\beta\beta$ of ¹³⁰Te using an array of 988 TeO₂ bolometers operated at a temperature around 10 mK. Each bolometer weighs 750 g, for a total active mass of 741 kg, 206 kg of which are ¹³⁰Te (34.2% natural abundance in tellurium [3]). The energy resolution and the background at the Q -value of the decay ($Q_{\beta\beta}=2528$ keV [4]), are expected to be 5 keV FWHM and 10^{-2} counts/(keV kg y), respectively [5]. CUORE is in construction at Laboratori Nazionali del Gran Sasso (LNGS) in Italy, and is expected to start operations within one year. The 90% C.L. sensitivity of CUORE to the $0\nu\beta\beta$ half-life is predicted to be 10^{26} years in 5 years of data taking [5]. This corresponds to an effective neutrino Majorana mass that ranges, depending on the choice of the nuclear matrix elements, from 50 to 130 meV, values that are quite far from covering the entire interval of masses corresponding to the inverted hierarchy scenario, that ranges from 10 to 50 meV [6].

The sensitivity of CUORE is limited by two factors, the amount of isotope and the background level, which is expected to be dominated by α radioactivity. To overcome these limits, a new experiment to be run after CUORE is being designed, CUPID [7, 8]. The technology of CUPID is not yet defined and is open to many alternatives. One of the main options is to use scintillating crystals enriched in high- $Q_{\beta\beta}$ isotopes, such as Zn⁸²Se [9], Zn¹⁰⁰MoO₄ [10] or ¹¹⁶CdWO₄ [11].

The scintillation light is detected in coincidence with the heat release in the bolometer and is used to discriminate the β signal from the α s, exploiting the dependence of the light yield on the ionization power of incident particles. The other option is to use again TeO₂ bolometers, enriched in ¹³⁰Te, profiting from the experience acquired within CUORE and from the much cheaper enrichment. Unfortunately TeO₂ is not a scintillator, and other means to remove the α background must be found.

A promising alternative consists in detecting the small amount of Cherenkov light that is emitted by particles absorbed in the TeO₂ crystal. At the energy scale of interest for $0\nu\beta\beta$, β particles are above threshold for Cherenkov emission, while α s are not [12]. In a recent work [13], the Cherenkov light emitted by β particles in a CUORE crystal was measured and found to be 100 eV at $Q_{\beta\beta}$. The light detector consisted in a germanium disk read by a Neutron Transmutation Doped (NTD) germanium thermistor [14], which was originally developed to detect the much larger amount of light emitted by scintillating crystals (several keV). The light detector noise amounted to 70 eV RMS, a level too high to allow an event by event discrimination. It was computed that, to reject the α background, one needs light detectors featuring a noise smaller than 20 eV RMS.

Many light detector technologies are being proposed for CUPID (see [8] and references therein): 1) CRESST-like detectors based on superconducting Transition Edge Sensors (TES), 2) NTD-based detectors exploiting the Neganov-Luke effect, 3) Metallic Magnetic Calorimeters (MMC) and 4) Kinetic Inductance Detectors (KIDs), the detectors proposed in this paper. It has to be stressed that high-sensitivity light detectors, though not strictly required, could also be applied to scintillating crystals. In the case of ZnSe they would allow to discriminate nuclear recoils from electron recoils at low energies and thus enable the search for direct Dark Matter interactions [15]. The technology chosen for CUPID, aside the achievement of the resolution goal, must prove to be reproducible and scalable to a thousand light detectors, and easily implementable in the CUORE infrastructure [7].

Among the different technologies, TESs already proved to feature the required energy resolution [16, 17], however they need an extra R&D for CUPID. Citing [8]: “The most important issue is the reproducibility of the technology (e.g. uniformity of transition temperature across many channels) at temperatures of order 10 mK and the cost and effort required for a construction of a large quantity of high-quality detectors. Additional aspects, such as multiplexing of the detector signals to reduce the wiring complexity and the heat load, would

be useful: solutions already exist in the astrophysics community.” For this reason, we decided to use Kinetic Inductance Detectors [18] (KIDs), that offer two advantages with respect to TES-based devices.

First, KID performances do not depend critically on the working temperature, since it is sufficient that the temperature is well below the critical temperature of the superconductor. Second, the readout electronics is quite simple: KIDs are naturally multiplexable and their electronics is operated at room temperature, exception made for a low noise cryogenic amplifier. KIDs recently demonstrated to be a valid alternative to TESs in astrophysical applications [19, 20]: they feature similar sensitivity, but they are easier to operate and can be scaled to a large number of detectors.

Light detectors with active areas as large as the face of CUORE crystals (5x5 cm²) based on KIDs do not exist yet. The goal of the CALDER project is to realize such detectors and test their performances on a prototype experiment made of a few TeO₂ bolometers.

2 Kinetic Inductance Detectors

KIDs base their working principle on the kinetic inductance. In superconducting materials the Cooper pairs, characterized by a binding energy smaller than 1 meV, move through the lattice without scattering. Nevertheless the complex impedance is non-zero. If an RF e-m field is applied, the pairs change continuously their velocity, and their inertia, due to the stored kinetic and magnetic energy, generates an impedance. The kinetic component of the impedance depends on the density of Cooper pairs, which can be modified by an energy release able to break them into quasiparticles (i.e. particles that, for the sake of simplicity, can be considered as free electrons). If the superconductor is inserted in a resonant RLC circuit with high quality factor ($Q > 10^3$), the density variation of quasiparticles produces changes in the transfer function, both in phase and amplitude.

The signal is obtained by exciting the circuit at the resonant frequency, and by measuring the phase (inductance) and amplitude (resistance) variations induced by energy releases. Many KIDs can be coupled to the same feedline, and can be multiplexed by making them resonate at slightly different frequencies. The resonant frequency of each resonator ($f_0 = 1/2\pi\sqrt{LC}$) can be easily varied by slightly changing the layout of the capacitor and/or inductor of the circuit.

The voltage transmitted by a KID with resonant frequency f_0 can be written as a function of frequency

f as [21]:

$$S_{21} = 1 - \frac{Q/Q_c}{1 + 2jQ\frac{f-f_0}{f_0}} \quad (1)$$

where the quality factor Q is a function of the internal and coupling quality factors: $\frac{1}{Q} = \frac{1}{Q_i} + \frac{1}{Q_c}$. The coupling quality factor Q_c depends on the device geometry and line impedance. The internal quality factor Q_i is a combination of the quality factor due to the thermally generated quasiparticles and the quality factor due to other loss mechanisms such as film and substrate impurities and irradiation.

The signal induced by an excess number of quasiparticles $N_{qp}(t)$ is [22]:

$$\Delta S_{21}(t) = \frac{\alpha Q^2}{Q_c} \frac{N_{qp}(t)}{2N_0 V \Delta} [S_1(f_0, T) - jS_2(f_0, T)] \quad (2)$$

where T is the working temperature, V the resonator volume, 2Δ is the binding energy of Cooper pairs, α is the fraction of kinetic inductance over the total inductance, N_0 is the single-spin density of states at the Fermi energy, $S_1(f_0, T)$ a dimensionless factor around 1 describing the amplitude response and $S_2(f_0, T)$ a factor greater than 1 describing phase response. Since the phase response is larger, it is often the only one considered.

The number of created quasiparticles is proportional to the particle energy and decays with the recombination time τ_{qp} :

$$N_{qp}(t) = \eta \frac{E}{\Delta} e^{-t/\tau_{qp}} \quad (3)$$

where η is the energy conversion efficiency to quasiparticles. The rise time of the signal is limited by the resonator ring time ($\tau_r = Q/\pi f_0$), which in present detectors is much smaller than τ_{qp} .

The ultimate source of noise in KIDs is due to the generation-recombination effect originating from the dynamic equilibrium between Cooper pairs and thermally created quasiparticles. Since the number of quasiparticles decreases exponentially with temperature, KIDs are operated well below the critical temperature ($T < T_c/6$). The noise, however, is in practice limited by amplifier noise or by noise induced by two level systems (TLS) in the substrate (see for example [22]). TLS noise is however expected to dominate at frequencies lower than the signal bandwidth we are interested in [23], therefore it will not be considered here.

Following Refs. [21, 24], we can compute the energy resolution for the phase readout in the amplifier-limited noise case:

$$\sigma_E^K = \frac{\Delta}{\eta} \frac{2N_0 V \Delta}{\alpha Q S_2(f_0, T)} \sqrt{\frac{k_B T_N}{P_f \tau_{qp}}} \quad (4)$$

where T_N is the amplifier noise temperature, P_f is the KID readout power and, in a conservative scenario, we assume to work with overcoupled resonators ($Q_c \ll Q_i$). It is therefore clear that, to boost the energy resolution, one has to design KIDs with high η , α , Q and τ_{qp} . Raising P_f is also needed to overcome the amplifier noise but, since a fraction of the power is absorbed by the resonator, it also induces an unwanted lowering of Q_i (and therefore Q) and τ_{qp} .

By using typical values for aluminum resonators ($\alpha = 10\%$, $Q = 10^4$, $\tau_{qp} = 100 \mu\text{s}$, $S_2 = 3$, $\Delta = 230 \mu\text{eV}$, $N_0 = 1.72 \times 10^{10} \mu\text{m}^{-3} \text{eV}^{-1}$), $P_f = -70 \text{ dBm}$, $T_N = 5 \text{ K}$ (see more in Sec. 5) and a resonator volume $V = 1 \text{ mm}^2 \times 40 \text{ nm}$, the expected energy resolution is $\sigma_E^K \sim 2 \text{ eV}/\eta$, where $\eta = 0.57$ for absorbed optical photons [18].

3 Phonon-mediated light detectors

KIDs, in the so-called ‘‘lumped element’’ configuration we chose to implement [25], are composed of two different parts, a meander acting as inductor and a set of interdigitated lines acting as capacitor. Dimensions are chosen smaller than the wavelength of the excitation signal, so that the current in the inductor is uniform and the signal does not depend on the position of the energy release.

KIDs can reach a maximum size of a few mm^2 , which is very small considering that we need an active area of $5 \times 5 \text{ cm}^2$. Increasing the size of the individual resonator would lower the resonant frequency below the optimal range (1-4 GHz), thus losing the possibility to use already available electronics and reducing the number of resonators that can be coupled to the same line. On the other hand, covering the entire area with KIDs is not possible. It would require thousands of pixels per light detector, a number that would be impossible to scale to thousands light detectors. Another problem is the optical coupling between the pixel and the photons. Obtaining at the same time large and fully active areas is difficult, even if the KIDs themselves act as absorbers or some kind of collector is applied.

The solution we opted for consists in using the silicon substrate on which the KIDs are deposited to perform an indirect observation, as in CRESST light detectors [26]. Photons impinging on the back side of the chip can produce athermal or ballistic phonons that scatter through the substrate and reach the KID on the opposite surface, where they break Cooper pairs and generate a signal. The advantage of using phonons as mediators is that they can propagate along distances longer than a centimeter allowing to sample an area larger than the resonator itself. The disadvantage is that the efficiency is lower than for direct absorption,

since phonons in the substrate can be absorbed by the surfaces of the substrate itself or by the detector supports or they can decay to sub-gap phonons before reaching the superconductor.

To compensate the efficiency loss with respect to direct absorption, a few KIDs per light detector will be needed. The expected energy resolution combining N_K KIDs deposited on the same substrate is simply:

$$\sigma_E = \sigma_E^K \sqrt{N_K} \quad (5)$$

where the efficiency η in σ_E^K (Eq. 4) is now the overall efficiency in converting energy deposited in the substrate to quasiparticles in the sensors.

Phonon-mediated KIDs were already proposed by Swenson et al. [27] and by Moore et al. [23] to measure simultaneously energy and position of impinging X-rays. Moore et al. realized a detector consisting of a silicon absorber of $2 \times 2 \text{ cm}^2 \times 1 \text{ mm}$ sampled by 20 aluminum resonators coupled to the same feedline with an active volume of $1 \text{ mm}^2 \times 25 \text{ nm}$ each. The quality factor of the resonators was limited to $Q = 10^4$ by design, so as to have a response sufficiently fast ($\tau_r \sim 1 \mu\text{s}$) to discriminate the arrival time of phonons and infer the position of the interaction. The measured efficiency was $\eta = 0.07$, the fraction of kinetic inductance was $\alpha = 0.075$, while the recombination time was limited to $\tau_{qp} = 13 \mu\text{s}$. The energy resolution amounted to 550 eV on 30 keV X-rays and to 380 eV on the detector baseline.

Since we are not interested in the position reconstruction, we can design detectors with a smaller number of pixels (< 10), compensating the possible efficiency loss with a higher Q (see Eq. 4). The energy resolution can be further improved by using superconductors with higher kinetic inductance than aluminum. TiN and multilayer Ti/TiN films, for example, proved to feature a kinetic inductance which is a factor 10-30 higher than aluminum films [28, 29].

4 Light detector design and implementation

Detectors are designed and simulated using SONNET, a 3D planar software for radiofrequency analysis [30]. This software enables the study of the device features (f_0, α, Q_c) by simulating the circuit properties starting from the chip geometry. Since the readout performances are optimal between 1-4 GHz, the geometric inductance and capacitance are designed to obtain a resonant frequency f_0 around 2.5 GHz.

The design aims at obtaining at the same time a large active area, a high resonant frequency and a high fraction of kinetic inductance α . The prototype single

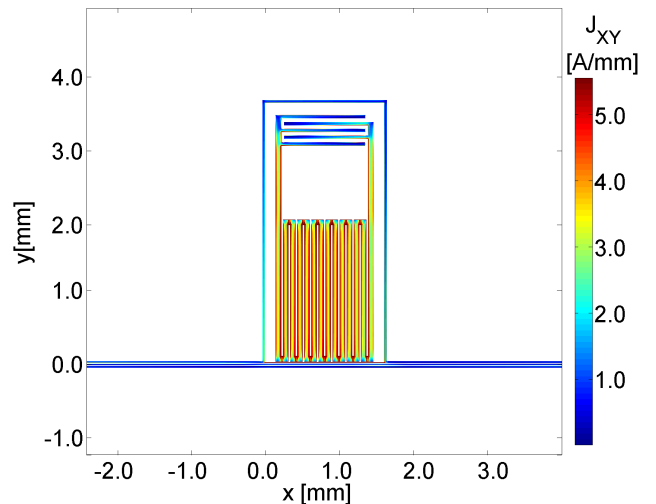


Fig. 1: SONNET simulation of the on-resonance current flowing in a single pixel. The pixel is composed by an inductive meander, which is the active area, and by an interdigitated capacitor to enlarge the resonant wavelength and make uniform the current across the inductor (see description in the text).

pixel we present is $1.4 \times 3.5 \text{ mm}^2$ wide and, as shown in Fig. 1, consists of an inductive meander (14 connected strips of $80 \mu\text{m} \times 2 \text{ mm}$), representing the active area, and a capacitor (5 interdigitated fingers of $1.2 \text{ mm} \times 50 \mu\text{m}$). To reduce the geometric inductance in favor of the kinetic inductance the spacing between meanders is minimized ($20 \mu\text{m}$) resulting in an estimate of $\alpha = 5\%$ for a 40 nm Al film. The capacitance is chosen to keep the current flowing through the meander uniform within a factor 20%. The width of the fingers and their distance ($50 \mu\text{m}$) are designed to decrease the local electric field and, consequently, TLS noise [31].

The pixel is inductively coupled to a Coplanar Waveguide (CPW) and surrounded by a ring ground to reduce the cross-talk among adjacent pixels. By changing the distance between the pixel and the CPW we determine Q_c , which in the first prototypes is in the range $10^4 - 10^5$. The ground plane width of the CPW is minimized in order to reduce the probability of absorbing phonons, since this region is inactive for detection. For a small number of pixels (up to ~ 10), SONNET allows to simulate the whole array, so that cross-talk effects can be studied and minimized. In Fig. 2 we show the simulated frequency response of a prototype array of 4 pixels. The frequency spacing of the 4 resonators is simply realized by reducing the length of the last finger of the capacitance.

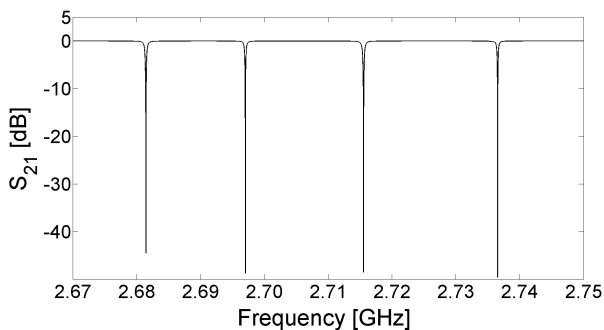


Fig. 2: Sonnet simulation of the frequency response of a 4-pixel array. The 4 pixels are coupled to the same feedline and spaced in frequency by changing the length of the last capacitor finger.

The detectors are produced in a ISO5/ISO6 clean room at IFN-CNR, using a lift-off technique. Devices are fabricated on high-quality (FZ method) $3'' \times 300 \mu\text{m}$ intrinsic Si(100) wafers, with high resistivity ($\rho > 10 \text{ k}\Omega \cdot \text{cm}$) and double side polished. Wafers are coated with 300 nm positive electronic resist (PMMA 6%), and exposed to a 100 keV electron beam for patterning. This technology allows to easily change the KIDs geometry run by run, just at cost of exposition time. After exposure and development, a gentle cleaning in Oxygen plasma is performed to produce an undercut in the PMMA profile and native oxide is removed from the silicon areas by dipping the wafer in dilute HF at 2% for 10 sec. The patterned substrate is then covered with a 40 nm aluminum layer deposited by electron gun evaporation, in a HV chamber, at a rate of 0.8 nm/s. After the Al deposition, the wafer is immersed in hot acetone to achieve lift-off: the e-resist under the Al film is dissolved taking the excess film with it.

The wafer is finally cut into single $20 \times 20 \text{ mm}^2$ chips and the Al thickness is measured by profilometer. The chip is mounted in a copper holder, fixed by PTFE supports with a contact area of few mm^2 to prevent trapping of the phonon signal, and connected to SMA read-out by ultrasonic Al wire bonding.

In the near future, TiN and multilayer Ti/TiN films will be also deposited, by means of reactive magnetron sputtering and the pattern will be transferred with subtractive method (dry or wet etch).

5 Readout

The simplicity of the signal readout is among the most striking advantages of kinetic inductance detectors. All the complexity of the frequency-multiplexed readout is handled by room temperature digital electronics, and

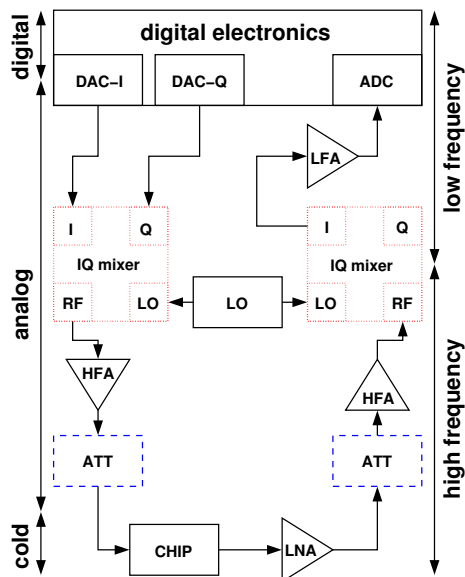


Fig. 3: CALDER readout scheme. The I and Q excitation signals are generated by the DAC with a bandwidth of about 100 MHz and are sent to an I-Q mixer, that also takes as input a ~ 2.5 GHz sinusoidal signal from a local oscillator (LO). The up-converted output (RF) of the I-Q mixer is sent to a high frequency room temperature amplifier (HFA) and then to a remotely controllable variable attenuator (ATT). Then the signal enters the cryostat where it goes through the detector (CHIP) and a low noise cryogenic amplifier (LNA). Outside the cryostat, the signal passes through another variable attenuator and a high frequency amplifier, and is then down-converted by another I-Q mixer. Finally, the signal passes through a low frequency amplifier (LFA), used to match the signal level to the ADC input.

only a limited number of components are located at low temperature inside the cryostat. The only limiting factors for the number of resonators that can be coupled to a single feedline come from the bandwidth and the dynamics of the DAC and ADC that are used for the signal excitation and readout, and by the minimum spacing (either in frequency and in physical distance) among adjacent resonators that results in the maximum tolerable cross talk level.

The readout system follows the scheme described e.g. in Refs.[32, 33]. It can be divided conceptually in three blocks (see Fig. 3): the cold electronics, the room temperature analog electronics and the room temperature digital electronics.

The cold electronics includes a limited number of components. These are the feedline, a low noise, wide band cryogenic amplifier and some passive components

such as DC-blocks and attenuators. The cryogenic amplifier is based on a SiGe high electron mobility transistor (HEMT). It is located in the dilution refrigerator past the detectors, and is thermally connected to the 4 K plate. The typical values for the gain and the noise temperature are of 40 dB and about 5 K, respectively, and they are almost constant in a wide frequency band extending from 1 to 4 GHz. With a careful design, the noise coming from components of the readout system can be made negligible with respect to that of the cryogenic amplifier.

The room temperature electronics has the role of matching the signal levels and the frequency bandwidth of the DAC and the ADC to those of the cold part of the readout chain, while keeping the noise level sufficiently low. In fact, the resonant frequency of KIDs is typically in the few GHz range, and there are no DAC and ADC available at present that feature at the same time such a large bandwidth and a proper resolution. The ADC and the DAC work best with typical powers of about 10 dBm and a bandwidth of about 100 MHz, while the CALDER sensors must be excited with powers in the range from -100 to -50 dBm at frequencies around 2.5 GHz. The excitation signal at the output of the DAC is therefore fed to a mixer that also takes as input a ~ 2.5 GHz sinusoidal signal and up-converts the excitation signal to the frequency range corresponding to the sensor resonances. At the cryostat output, the signal is down-converted to low frequency by means of another mixer and is then fed to the ADC. The ~ 2.5 GHz sinusoidal signal used as input of the two mixers is generated by a commercial local oscillator (LO) with an extremely low phase noise (~ -140 dBc/Hz at 10 kHz from the carrier). Besides performing the frequency up- and down-conversion of the signal, the room temperature analog electronics also includes attenuators, DC-blocks and amplifiers, both in the low and high frequency parts. These are used to control the excitation power that is sent to the sensors, and to match the signal levels to the specifications of the various components of the readout system, so that they work at their optimal conditions and the noise is minimized.

The room temperature digital electronics can be conceptually sketched as an FPGA interfaced on one side to the ADC and the DAC, and to a computer on the other side. In our setup we are currently using the NIXA hardware implementation [33] with the firmware described in [34], but we are also considering the ROACH-2 system as an alternative [32]. In the following we give a general description of the digital electronics system that applies to both the implementations. The FPGA firmware is composed by a core

that is responsible for generating the excitation signal for the DAC and then demodulating it after it is read back by the ADC, and by a digital processing unit that essentially has the purpose of running a low threshold trigger algorithm. The generation of the excitation signal is one of the most resource consuming parts of the firmware. For a KID resonating at frequency f_0 , the excitation is composed of an *in phase* (I) sine wave at frequency $f_{base} = f_0 - f_{LO}$, where f_{LO} is the frequency of the LO, and by a *quadrature phase* (Q) sine wave with the same frequency and a $\pi/2$ phase shift with respect to the first one. The overall I(Q) comb excitation signal is then built as the sum of all the I(Q) signals of the resonators on the feedline, and is then sent to the DAC. When the comb signal is read back by the ADC, the component corresponding to each resonator is demodulated with a copy of its own excitation signal, thus resulting in a pair of low frequency (I, Q) signals for each resonator. The signal bandwidth and the sampling frequency of the demodulated signals depend on the resonators, but they are typically of order 100 kHz and 1 MHz, respectively. The demodulated I and Q signals are further manipulated with digital filters, and then the trigger algorithms are run. As discussed in Sec. 2, the detector response is more sensitive in the phase direction, therefore it would be desirable to trigger on this parameter. However, because the calculation of the phase as $\arctan(Q/I)$ requires too intensive FPGA resources, an artifact is used that consists in mapping the original (I, Q) signals into rotated (I_{ROT} , Q_{ROT}) values, and the trigger is run on them. The rotation angles must be pre-calculated for each resonator during the detector characterization. A proper choice of their values can make one of I_{ROT} or Q_{ROT} proportional to the signal phase, while the other almost insensitive to changes in the kinetic inductance. A window of configurable length of the sensor waveform around the position of each trigger is streamed via network to a data acquisition computer, where a prompt analysis is performed, and then the data are saved to disk for offline analysis.

To operate the CALDER sensors as auxiliary light detectors for a large array of macrobolometers, a few more steps will be needed. First, it is unlikely that the readout of all the CALDER light detectors will be possible with a single feedline and a single digital electronics board. Therefore, a method for the data synchronization, merging and streaming from multiple KID readout systems must be foreseen. Second, an integration of the data acquisition systems of the light detectors and of bolometers will be necessary. The particle discrimination capability provided by the CALDER detectors would require in fact to perform a synchronization of

the KIDs with the bolometers. Moreover, a bolometer trigger should also cause a KID event to be saved, and vice-versa. In this sense some care will be needed to deal with the very different evolution time scales of the signals from these two detectors. Signals from large mass bolometers have typical rise times of tens of milliseconds, while the KID signals have typical rise times of some microseconds.

6 Cryogenic tests

Kinetic inductance detectors reach their best performances at temperatures lower than about 1/6 of the critical temperature of the superconductor, demanding for operation temperatures of 50-100 mK.

In this first phase of the project the light detectors are being tested in our laboratory in Rome, which is equipped with a wet $^3\text{He}/^4\text{He}$ dilution refrigerator with base temperature of 10 mK and radiative shields at 600 mK and 4.2 K. There are 4 RF coaxial cables installed in the cryostat, allowing the independent test of 2 devices simultaneously.

The detectors can be illuminated by a multimode optical fiber, coupled to a warm LED ($\lambda = 400$ nm) able to send pulses with a width of 8 ns and frequency up to 5 MHz. Calibration with X-rays are performed facing ^{55}Fe and ^{57}Co radioactive sources. Preliminary tests on chips with a different number of aluminum pixels (from 1 to 9), allowed to optimize the entire setup and characterize the first prototypes [35].

In the second phase of the project we will test the light detectors by facing them to a small array of TeO_2 bolometers (2-8 detectors). The measurements will be performed at Laboratori Nazionali del Gran Sasso and in the test dilution refrigerator of CUPID that will be equipped with the KID readout. Our aim is to prove that not only different KIDs on the same light detector, but also different light detectors can be coupled to the same feedline, so as to reduce substantially the wiring in view of the scale-up to a thousands light detectors.

7 Perspectives

Presently all the subsystems required by CALDER have been setup and the first results obtained with a 4 aluminum pixels, 2×2 cm² detector are being published [36]. By the end of 2015 we foresee the first measurement with TiN or Ti/TiN films, that are expected to bring the energy resolution of the light detectors below 20 eV RMS. The construction and running of the bolometric TeO_2 array at Gran Sasso, instrumented with CALDER's light detectors, is expected in 2016/2017.

Acknowledgements

This work was supported by the European Research Council (FP7/2007-2013) under contract CALDER no. 335359 and by the Italian Ministry of Research (FIRB 2012) under contract no. RBFR1269SL.

References

1. D. Artusa, et al., *Eur.Phys.J.* **C74**(10), 3096 (2014). DOI 10.1140/epjc/s10052-014-3096-8
2. D. Artusa, et al., *Adv.High Energy Phys.* **2015**, 879871 (2015). DOI 10.1155/2015/879871
3. M.A. Fehr, M. Rehkämper, A.N. Halliday, *Int.J.Mass Spectrom.* **232**(1), 83 (2004). DOI 10.1016/j.ijms.2003.11.006
4. M. Redshaw, B.J. Mount, E.G. Myers, F.T. Avignone, *Phys. Rev. Lett.* **102**, 212502 (2009). DOI 10.1103/PhysRevLett.102.212502
5. D. Artusa, et al., *Eur.Phys.J.* **C74**(8), 2956 (2014). DOI 10.1140/epjc/s10052-014-2956-6
6. S. Bilenky, C. Giunti, *Mod.Phys.Lett.* **A27**, 1230015 (2012). DOI 10.1142/S0217732312300157
7. The CUPID Interest Group, arXiv:1504.03599 (2015)
8. The CUPID Interest Group, arXiv:1504.03612 (2015)
9. J. Beeman, et al., *Adv.High Energy Phys.* **2013**, 237973 (2013). DOI 10.1155/2013/237973
10. J. Beeman, et al., *Eur.Phys.J.* **C72**, 2142 (2012). DOI 10.1140/epjc/s10052-012-2142-7
11. C. Arnaboldi, et al., *Astropart.Phys.* **34**, 143 (2010). DOI 10.1016/j.astropartphys.2010.06.009
12. T. Tabarelli de Fatis, *Eur.Phys.J.* **C65**, 359 (2010). DOI 10.1140/epjc/s10052-009-1207-8
13. N. Casali, et al., *Eur.Phys.J.* **C75**(1), 12 (2015). DOI 10.1140/epjc/s10052-014-3225-4
14. J. Beeman, et al., *JINST* **8**, P07021 (2013). DOI 10.1088/1748-0221/8/07/P07021
15. J. Beeman, et al., *JINST* **8**, P05021 (2013). DOI 10.1088/1748-0221/8/05/P05021
16. K. Schäffner, et al., *Astropart.Phys.* **69**, 30 (2015). DOI 10.1016/j.astropartphys.2015.03.008
17. M. Willers, et al., *JINST* **10**(03), P03003 (2015). DOI 10.1088/1748-0221/10/03/P03003
18. P.K. Day, H.G. LeDuc, B.A. Mazin, A. Vayonakis, J. Zmuidzinas, *Nature* **425**(6960), 817 (2003). DOI 10.1038/nature02037
19. A. Monfardini, et al., *Astrophys.J.Suppl.* **194**, 24 (2011). DOI 10.1088/0067-0049/194/2/24
20. B. Mazin, et al., *Publ.Astron.Soc.Pac.* **125**, 1348 (2013). DOI 10.1086/674013

-
21. J. Zmuidzinas, *Annu.Rev.Cond.Mat.Phys.* **3**(1), 169 (2012). DOI 10.1146/annurev-conmatphys-020911-125022
 22. J. Gao, The physics of superconducting microwave resonators. Ph.D. thesis, California Institute of Technology, Pasadena (2008)
 23. D.C. Moore, et al., *Appl.Phys.Lett.* **100**, 232601 (2012). DOI 10.1063/1.4726279
 24. S.H. Moseley, J.C. Mather, D. McCammon, *J.Appl.Phys.* **56**(5), 1257 (1984). DOI 10.1063/1.334129
 25. S. Doyle, P. Mauskopf, J. Naylon, A. Porch, C. Duncombe, *J. Low Temp. Phys.* **151**(1–2), 530 (2008). DOI 10.1007/s10909-007-9685-2
 26. G. Angloher, et al., *Eur.Phys.J.* **C72**, 1971 (2012). DOI 10.1140/epjc/s10052-012-1971-8
 27. L. Swenson, et al., *Appl.Phys.Lett.* **96**, 263511 (2010). DOI 10.1063/1.3459142
 28. H.G. Leduc, et al., *Appl. Phys. Lett.* **97**(10), 102509 (2010). DOI 10.1063/1.3480420
 29. M.R. Vissers, et al., *Appl. Phys. Lett.* **102**(23), 232603 (2013). DOI 10.1063/1.4804286
 30. URL <https://www.sonnetsoftware.com/>
 31. O. Noroozian, J. Gao, J. Zmuidzinas, H.G. LeDuc, B.A. Mazin, *AIP Conf. Proc.* **1185**, 148 (2009). DOI 10.1063/1.3292302
 32. S. McHugh, et al., *Rev.Sci.Instrum.* **83**, 044702 (2012). DOI 10.1063/1.3700812
 33. O. Bourrion, et al., *JINST* **6**, P06012 (2011). DOI 10.1088/1748-0221/6/06/P06012
 34. O. Bourrion, et al., *JINST* **8**, C12006 (2013). DOI 10.1088/1748-0221/8/12/C12006
 35. A. Cruciani, et al., *PoS TIPP2014*, 366 (2014)
 36. L. Cardani, et al., arXiv:1505.04666 (2015)