

Generation and distribution of high-dimensional frequency-entangled qudits

Rui-Bo Jin,^{1,*} Ryosuke Shimizu,² Mikio Fujiwara,¹ Masahiro Takeoka,¹ Ryota Wakabayashi,^{1,3}
Taro Yamashita,⁴ Shigehito Miki,⁴ Hirotaka Terai,⁴ Thomas Gerrits,⁵ and Masahide Sasaki^{1,†}

¹*National Institute of Information and Communications Technology (NICT),
4-2-1 Nukui-Kitamachi, Koganei, Tokyo 184-8795, Japan*

²*University of Electro-Communications (UEC), 1-5-1 Chofugaoka, Chofu, Tokyo 182-8585, Japan*

³*Waseda University, 3-4-1 Okubo, Shinjyuku, Tokyo 165-8555, Japan*

⁴*National Institute of Information and Communications Technology (NICT), 588-2 Iwaoka, Kobe 651-2492, Japan*

⁵*National Institute of Standards and Technology (NIST), 325 Broadway, Boulder, Colorado 80305, USA*

(Dated: August 10, 2021)

We demonstrate a novel scheme to generate frequency-entangled qudits with dimension number higher than 10 and to distribute them over optical fibers of 15 km in total length. This scheme combines the technique of spectral engineering of biphotons generated by spontaneous parametric down-conversion and the technique of spectrally resolved Hong-Ou-Mandel interference. We characterized the comb-like spectral correlation structures of the qudits by time of arrival measurement and correlated spectral intensity measurement. The generation and distribution of the distinct entangled frequency modes may be useful for quantum cryptography, quantum metrology, quantum remote synchronization, as well as fundamental test of stronger violation of local realism.

PACS numbers: 42.65.Lm, 03.65.Ud, 42.50.St, 42.50.Dv

Introduction The study of higher dimensional entangled states has opened a wide range of possibilities in quantum information science and technology. For example, d -dimensional quantum bits (qudits) in principle have a stronger violation of the local hidden variable hypothesis than a qubits system [1], and are even useful to observe the violation of its more general context including non-contextuality [2]. Entangled qudits are also advantageous in quantum key distribution (QKD)[3–5], and other applications such as quantum bit commitment [6] or spatial imaging [7].

Several experiments have been dedicated to prepare photonic qudit states with photons encoded in different degrees of freedom. For example, qudits have been generated from biphotons in polarization [8], frequency [9], time-bin [10, 11], spatial modes [12]. Among all these degrees of freedom, frequency may be of great interest in distributing entangled photons in multiplexed modes over long-distance optical fibers for quantum communication. Traditionally, the frequency-entangled qudits can be generated through manipulating the spectra of biphotons by using narrow-band filters and electro-optic modulators [13], or by using a spatial light modulator (SLM) [9]. However, the separation and measurement of these high-dimensional frequency-entangled state is limited by optical loss and resolution of the devices. Therefore, up to now, only 5-dimensional qudits ($d=5$) were experimentally generated [13].

In this Letter, we experimentally demonstrate a novel method to generate qudits with d higher than 10 and to distribute the state over 15 km distance. Our scheme is based on two key techniques. The first one is the quantum state engineering of twin photons from type-II spontaneous parametric down-conversion (SPDC). We

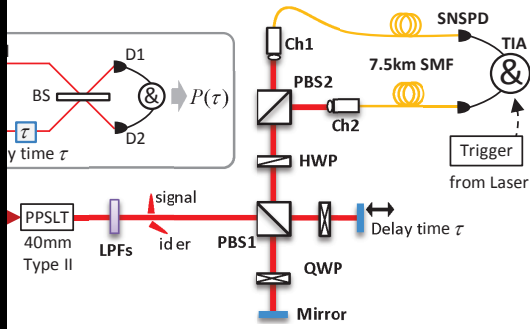
employ a periodically poled MgO-doped stoichiometric LiTaO₃ (PPSLT) crystal [14, 15], which satisfies the group-velocity matching (GVM) condition of $V_s^{-1} = V_i^{-1}$ at telecom wavelength, where $V_{s(i)}$ is the inverse of the group velocity for the signal (idler) photons from SPDC [16]. This GVM condition allows us to generate a broadband twin photons with strong spectral anti-correlation. The second technique is the spectrally resolved Hong-Ou-Mandel (HOM) interference [17], where the spectral modes of the twin photons can be separated at different delay positions in the interference [18, 19]. By combining these two techniques, a multi-peak (comb-like) spectral correlation structure can be formed in a two-dimensional diagram of the twin photon frequencies which is observed by coincidence counts at the two distant nodes after optical fiber transmission.

Schematic The schematic of our experiment is shown in Fig. 1. It is a simple HOM interference setting with an additional time delay τ in the idler mode. Quantum state of the photon pair emitted from a SPDC source is [20, 21]

$$|\Psi\rangle = \int_0^\infty \int_0^\infty d\omega_1 d\omega_2 f(\omega_1, \omega_2) \hat{a}_s^\dagger(\omega_s) \hat{a}_i^\dagger(\omega_i) |0\rangle, \quad (1)$$

where $\hat{a}^\dagger(\omega)$ is the creation operator at angular frequency ω , the subscripts s and i denote the signal and idler photons, respectively, and $f(\omega_s, \omega_i)$ is their joint spectral amplitude (JSA).

After applying the delay and the HOM beamsplitter, and postselecting the state such that each output channel (Ch1 and Ch2 in Fig. 1) contains one photon, and taking into account the structure of $f(\omega_s, \omega_i)$ for our crystal and



color online) The experimental setup. Laser pulses (405 nm, 50 mW average power, temporal duration 100 ps) from a mode-locked Titanium sapphire laser are focused into a 40-mm-long PPSLT crystal with a polling period of 100 ns for a type-II collinear SPDC. The temperature is controlled at 40.8 °C to achieve degenerate wavelengths for the signal and idler photons, which are polarized horizontally and vertically (H/V), respectively. After filtered by long pass filters (LPFs), the downconverted photons with central wavelengths of 810 nm and FWHM (full width at half maximum) of 10 nm pass through a polarization beam splitter (PBS1), a half-wave plate (HWP, at 22.5°) and PBS2 for the HOM configuration. Two quarter wave plates (QWP, at 45°) placed between mirrors are used to convert the H(V)-polarized photons to V(H)-polarized after a round pass. Finally the photons are coupled into two 7.5-km-long commercial available single-mode fibers (SMF), and detected by two superconducting nanowire single photon detectors (SNSPDs), which are connected to a Time Interval Analyzer (TIA). The electrical signals from the laser provide timing information of the laser pulses to TIA for synchronization in the correlated single-photon state (CSI) measurement. The inset depicts a schematic configuration of the HOM interference, which is a simplified model of the experimental setup.

The state is approximately described as

$$\begin{aligned}
 \approx & \frac{1}{\sqrt{N}} \int_0^\infty \int_0^\infty d\omega_1 d\omega_2 h(\omega_1 + \omega_2 - \omega_p) \\
 & \times \delta(\omega_1 + \omega_2 - \omega_p) (1 - e^{-i(\omega_1 - \omega_2)\tau}) \\
 & \times \hat{a}_1^\dagger(\omega_1) \hat{a}_2^\dagger(\omega_2) |0\rangle, \quad (2)
 \end{aligned}$$

where N is a normalization factor, ω_p is the pump frequency, and subscripts 1 and 2 denote modes in Ch1 and Ch2. $\delta(x)$ is the Dirac delta function, and $h(x)$ is the pump envelope. In Eq. (18), one can observe the amplitude of the photon-pair wave function displays oscillatory behavior on $\omega_1 + \omega_2 = \omega_p$ and oscillates with peaks at $\omega_1 - \omega_2 = 2\pi/\tau$, that is, having an entangled qudit structure $\mathcal{C}^j | \omega_+^j, \omega_-^j \rangle$ where $\omega_\pm^j = \omega_p/2 \pm (2j-1)\pi/\tau$. Supplementary Information 1 for more detailed discussion.

Experiment To generate such a state, one needs 1) distinguishability between the signal and idler photons from the SPDC source, and 2) a carefully engineered SA showing discrete peaks in frequency corre-

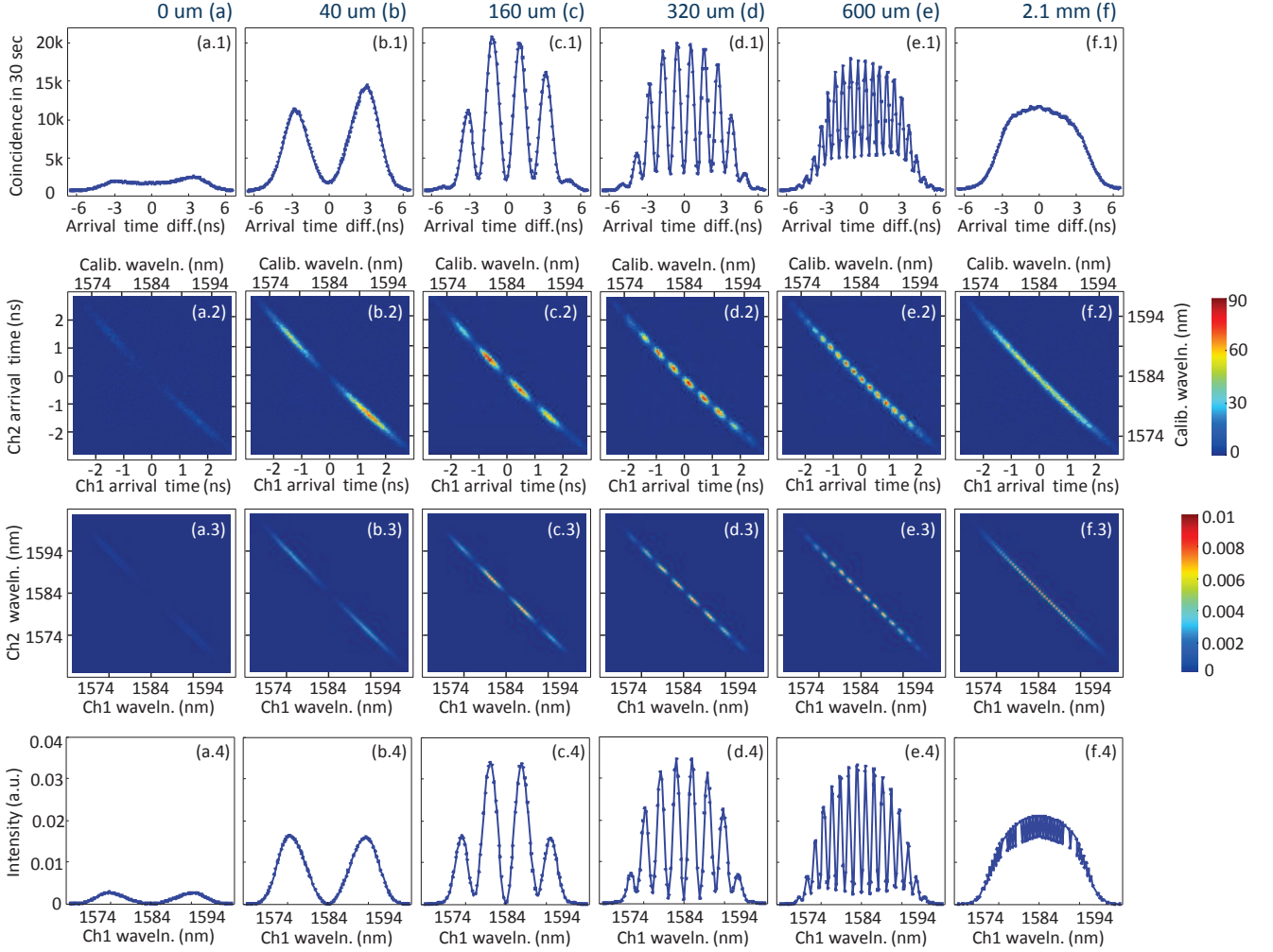


FIG. 3: (color online) Experimental comb-like structures with theoretical simulations. The first row (a.1-f.1) shows experimental ToA data $H(\Delta\omega, \tau)$. The horizontal axis is the arrival time difference $t_2 - t_1$, corresponding to $\Delta\omega = \omega_2 - \omega_1$. The second row (a.2-f.2) shows experimental correlated spectral intensity (CSI) $I(\omega_1, \omega_2, \tau)$. Graphs (a-f) are at the delay positions of $0 \mu\text{m}$, $40 \mu\text{m}$, $160 \mu\text{m}$, $320 \mu\text{m}$, $600 \mu\text{m}$ and 2.1 mm , corresponding to the delay time $\tau = 0 \text{ ps}$, 0.13 ps , 0.53 ps , 1.07 ps and 7.03 ps in the HOM dip. Theoretically simulated data are presented in the third row (a.3-f.3) for the CSI and in the fourth row (a.4-f.4) for the marginal spectra at the same delay positions.

where $\Delta\omega = \omega_2 - \omega_1$. In the ToA measurement, the TIA provides the information of the frequency difference $\Delta\omega = \omega_2 - \omega_1$. Figure 3 shows these comb-like structures, corresponding to frequency-entangled qudits. Graphs in the first row (a.1-f.1) show the experimental results of the ToA data $H(\Delta\omega, \tau)$. The horizontal axis is the arrival time difference $t_2 - t_1$, corresponding to frequency difference $\Delta\omega = \omega_2 - \omega_1$. The ToA data were accumulated for 30 seconds with Ch1 as the stop channel and Ch2 as the start channel for the TIA, at a fixed delay time τ . At the dip center, i.e. zero delay position, there is no comb-like structure, as shown in Fig. 3(a.1). As the delay position is moved from zero to $40 \mu\text{m}$, $160 \mu\text{m}$, $320 \mu\text{m}$, and $600 \mu\text{m}$, the peak numbers increased to 2, 4, 8 and 14, as shown in Fig. 3(b.1-e.1). When the delay position is far away from the dip center, the comb-like

structure disappears gradually. Fig. 3(f.1) shows such a case at the delay position of 2.1 mm .

Graphs in the second row (a.2-f.2) show experimental CSI $I(\omega_1, \omega_2, \tau)$ of the twin photons. The CSI data are measured with three input signals to the TIA: the trigger (generated by a fast photodiode, recording the timing information of the pump laser pulses for synchronization) as the start channel, Ch1 as the first stop channel, and Ch2 as the second stop channel. The CSI is reconstructed by analyzing the arrival time of the photon pairs in Ch1 and Ch2. Each CSI dataset was accumulated only for 5 seconds, thanks to our highly efficient fiber spectrometer which is constitute of high-efficiency SNSPDs [25–27]. The peak numbers in the ToA data in the first row of Fig. 3 correspond well to the discrete mode numbers in the diagram (ω_1, ω_2) of the CSI in the second row

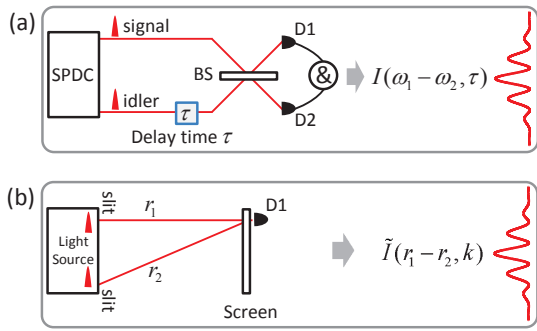


FIG. 4: (color online) The phenomenon of the comb-like structure in the the HOM interference (a) can be intuitively compared with the Young's double slit interference (b).

of Fig. 3. The mode numbers in Fig. 3(b.2-e.2) are 2, 4, 8 and 14, respectively. In Fig. 3(f.2), the correlation diagram does not show any mode structure due to our limited timing resolution. In the CSI data, the comb position is determined by $\cos[(\omega_1 - \omega_2)\tau] = -1$ in Eq.(4). The peak-to-peak distance is equal to $\omega_1 - \omega_2 = 2\pi/\tau$. It can be noticed that the full width of the ToA data (~ 8 ns in Fig. 3(f.1)) is about two times of the full width of the CSI data (~ 4 ns in Fig. 3(f.2)). This difference is caused by the fact that $\omega_1(\omega_2)$ has an arrival time range of around $[-2$ ns, 2 ns], while the difference of ω_1 and ω_2 , i.e. $\omega_1 - \omega_2$, has an arrival time range of around $[-4$ ns, 4 ns].

We also performed numerical simulation of the CSI using the experimental conditions (40-mm-long PPSLT crystal; 2-ps-long pump pulse with Gaussian shape; filtering by a LPF with experimentally measured transmission spectrum), as shown in Fig. 3(a.3-f.3). The experimentally measured frequency mode numbers coincide well with our simulation. The experimental sizes of the comb teeth in Fig. 3(a.2-f.2) are slightly “fatter” than the theoretical sizes in Fig. 3(a.3-f.3), due to the limited timing resolution of the detection system. By integrating the data in Fig. 3(a.3-f.3) over Ch2 wavelength, we obtain the marginal spectra of Fig. 3(a.3-f.3) over Ch1 wavelength, as shown in Fig. 3(a.4-f.4). The peak numbers in Fig. 3(a.3-f.3) match well to the peak numbers in Fig. 3(a.1-f.1). The profile of Fig. 3(f.4) also agrees well with that of Fig. 3(f.1).

Discussion To intuitively understand the phenomenon of comb-like structure of frequency-entangled qudits in this work, we compare the HOM interference with the classical Young's double slit interference, as shown in Fig. 4(a, b). Eq. (4) can be rewritten as:

$$I(\omega_1 - \omega_2, \tau) = I_1 + I_2 - 2\sqrt{I_1 I_2} \cos(\omega_1 - \omega_2)\tau, \quad (6)$$

where $I_1 = |f(\omega_1, \omega_2)|^2$ and $I_2 = |f(\omega_2, \omega_1)|^2$. In the classical Young's double slit interference, as shown in

Fig. 4(b), the fringes can be described by

$$\tilde{I}(r_1 - r_2, k) = \tilde{I}_1 + \tilde{I}_2 - 2\sqrt{\tilde{I}_1 \tilde{I}_2} \cos(r_1 - r_2)k, \quad (7)$$

where \tilde{I} is the overall intensity; \tilde{I}_1 and \tilde{I}_2 are the intensity of light from the double slit; k is the wave number of the light. Eq.(6) and Eq.(7) have the same mathematical structure. The physics of HOM interference and double slit interference are different: the former is a two-photon effect which reflects the indistinguishability of photons, while the latter is the light wave interference in the classical sense and also the interference of a single photon itself in the quantum domain. However, the manipulation of comb teeth structure in the interference pattern can be done in the similar way in which one can find clear correspondence between the parameters in the two schemes: by shifting the frequency difference $\omega_1 - \omega_2$ (optical path difference of $r_1 - r_2$), we can adjust the dark or bright points of the interference pattern; by changing the delay time τ (wave vector k), we can vary the teeth numbers in the comb-like structure. Thus, the mechanism of our comb-like structure can be intuitively explained along with the simple and fundamental phenomenon in optics.

Conclusion We have proposed and demonstrated the generation of frequency-entangled qudits in the spectrally resolved HOM interference using the downconverted photons from a PPSLT crystal. The observed maximal spectral mode number is 14 (Fig. 3) after transmitting 15 km. It is worth to note that the number can be improved simply by removing the LPFs in Fig. 1. By doing this, we are able to observe more than 20 spectral modes where the FWHM of the downconverted photons is measured to be ~ 35 nm and the net visibility of the HOM dip is around 75%.

There are several interesting future issues. First, the dimensionality of entangled qudits could be further improved by using more broadband twin photon sources [28]. Another important challenge is more rigorous characterization of entanglement for the generated frequency-entangled qudit states. To rigorously “prove” entanglement without modeling (assuming) physical system of the setup, one has to experimentally access some entanglement measure or separability criteria which requires state tomography or similar kind of detection. Such experimental techniques have been well established for standard entangled qubit photons, such as polarization entanglement [29]. However, its application to our high-dimensional frequency-entangled qudits is not straightforward since it is a higher dimensional system and more importantly, the measurement basis should include the superposition of many different frequency modes which is technically nontrivial to implement. Recent progress on frequency mixed detection [9] might be a promising way if it is extendable to higher dimensional system including more than 10 frequency modes.

Also, our techniques developed here have various po-

tential applications. For example, the spectrally resolved HOM interference technique used in this experiment would be useful to extend the dynamic range of the phase shift measurement and timing synchronization, because this technique allows one to see the interference patterns for a longer delay position or delay time than that in the standard HOM interference. Actually, even when the twin photons have no interference pattern in the region with the delay position larger than $160\ \mu\text{m}$ in Fig. 2 for the standard time-domain HOM interference, we can still see the interference pattern in frequency domain, as shown in Fig. 3(c.1-e.1). This property may be used for quantum remote synchronization [30–32]. The comb-like structure may also be useful in metrology [33, 34].

Finally, our frequency entangled source is clearly applicable to the recent proposals of the high-dimensional QKD with the time-frequency entangled states [4, 5]. The time-frequency encoding provides numerous advantages over other coding methods in the sense of dense multiplexing transmission in long-haul single-mode fibers.

Acknowledgements The authors are grateful to I. A. Walmsley and C. Ren for insightful discussions, and to K. Wakui for assistance in experiment. This work is supported by MEXT Grant-in-Aid for Young Scientists (B)15K17477, and the ImPACT Program of Council for Science, Technology and Innovation (Cabinet Office, Government of Japan).

* Electronic address: jrbqyj@gmail.com

† Electronic address: psasaki@nict.go.jp

- [1] D. Kaszlikowski, P. Gnaniński, M. Żukowski, W. Miślaszewski, and A. Zeilinger, *Phys. Rev. Lett.* **85**, 4418 (2000).
- [2] R. Lapkiewicz, P. Li, C. Schaeff, N. K. Langford, S. Ramelow, M. Wiesniak, and A. Zeilinger, *Nature* **474**, 490 (2011).
- [3] T. Durt, D. Kaszlikowski, J.-L. Chen, and L. C. Kwek, *Phys. Rev. A* **69**, 032313 (2004).
- [4] J. Nunn, L. J. Wright, C. Söller, L. Zhang, I. A. Walmsley, and B. J. Smith, *Opt. Express* **21**, 15959 (2013).
- [5] J. Mower, Z. Zhang, P. Desjardins, C. Lee, J. H. Shapiro, and D. Englund, *Phys. Rev. A* **87**, 062322 (2013).
- [6] N. K. Langford, R. B. Dalton, M. D. Harvey, J. L. O’Brien, G. J. Pryde, A. Gilchrist, S. D. Bartlett, and A. G. White, *Phys. Rev. Lett.* **93**, 053601 (2004).
- [7] G. A. Howland and J. C. Howell, *Phys. Rev. X* **3**, 011013 (2013).
- [8] Y. I. Bogdanov, M. V. Chekhova, S. P. Kulik, G. A. Maslennikov, A. A. Zhukov., C. H. Oh, and M. K. Tey, *Phys. Rev. Lett.* **93**, 230503 (2004).
- [9] C. Bernhard, B. Bessire, T. Feurer, and A. Stefanov, *Phys. Rev. A* **88**, 032322 (2013).
- [10] R. T. Thew, A. Acín, H. Zbinden, and N. Gisin, *Phys. Rev. Lett.* **93**, 010503 (2004).
- [11] B. Bessire, C. Bernhard, T. Feurer, and A. Stefanov, *New J. Phys.* **16**, 033017 (2014).
- [12] M. Krenn, M. Huber, R. Fickler, R. Lapkiewicz, S. Ramelow, and A. Zeilinger, *PNAS* **111**, 6243 (2014).
- [13] L. Olislager, J. Cussey, A. T. Nguyen, P. Emplit, S. Massar, J.-M. Merolla, and K. P. Huy, *Phys. Rev. A* **82**, 013804 (2010).
- [14] R. Shimizu and K. Edamatsu, *Opt. Express* **17**, 16385 (2009).
- [15] N. S. Bisht and R. Shimizu, *J. Opt. Soc. Am. B* **32**, 550 (2015).
- [16] K. Edamatsu, R. Shimizu, W. Ueno, R.-B. Jin, F. Kaneda, M. Yabuno, H. Suzuki, S. Nagano, A. Syouji, and K. Suizu, *Prog. Inform.* **8**, 19 (2011).
- [17] C. K. Hong, Z. Y. Ou, and L. Mandel, *Phys. Rev. Lett.* **59**, 2044 (1987).
- [18] T. Gerrits, F. Marsili, V. B. Verma, L. K. Shalm, M. Shaw, R. P. Mirin, and S. W. Nam, *Phys. Rev. A* **91**, 013830 (2015).
- [19] R.-B. Jin, T. Gerrits, M. Fujiwara, R. Wakabayashi, T. Yamashita, S. Miki, H. Terai, R. Shimizu, M. Takeoka, and M. Sasaki, *Opt. Express* **23**, 28836 (2015).
- [20] A. B. U’Ren, R. K. Erdmann, M. de la Cruz-Gutierrez, and I. A. Walmsley, *Phys. Rev. Lett.* **97**, 223602 (2006).
- [21] R.-B. Jin, R. Shimizu, K. Wakui, H. Benichi, and M. Sasaki, *Opt. Express* **21**, 10659 (2013).
- [22] W. P. Grice and I. A. Walmsley, *Phys. Rev. A* **56**, 1627 (1997).
- [23] M. Avenhaus, A. Eckstein, P. J. Mosley, and C. Silberhorn, *Opt. Lett.* **34**, 2873 (2009).
- [24] T. Gerrits, M. J. Stevens, B. Baek, B. Calkins, A. Lita, S. Glancy, E. Knill, S. W. Nam, R. P. Mirin, R. H. Hadfield, et al., *Opt. Express* **19**, 24434 (2011).
- [25] S. Miki, T. Yamashita, H. Terai, and Z. Wang, *Opt. Express* **21**, 10208 (2013).
- [26] T. Yamashita, S. Miki, H. Terai, and Z. Wang, *Opt. Express* **21**, 27177 (2013).
- [27] R.-B. Jin, M. Fujiwara, T. Yamashita, S. Miki, H. Terai, Z. Wang, K. Wakui, R. Shimizu, and M. Sasaki, *Opt. Commun.* **336**, 47 (2015).
- [28] A. Tanaka, R. Okamoto, H. H. Lim, S. Subashchandran, M. Okano, L. Zhang, L. Kang, J. Chen, P. Wu, T. Hirohata, et al., *Opt. Express* **20**, 25228 (2012).
- [29] D. F. V. James, P. G. Kwiat, W. J. Munro, and A. G. White, *Phys. Rev. A* **64**, 052312 (2001).
- [30] V. Giovannetti, S. Lloyd, L. Maccone, and F. N. C. Wong, *Phys. Rev. Lett.* **87**, 117902 (2001).
- [31] C. Ho, A. Lamas-Linares, and C. Kurtsiefer, *New J. Phys.* **11**, 045011 (2009).
- [32] R. Quan, Y. Zhai, M. Wang, S. Hou, Feiyanand Wang, X. Xiang, T. Liu, S. Zhang, and R. Dong, *arXiv:1602.06371* (2016).
- [33] C. Ren and H. F. Hofmann, *Phys. Rev. A* **86**, 043823 (2012).
- [34] C. Ren and H. F. Hofmann, *Phys. Rev. A* **89**, 053823 (2014).

SUPPLEMENTARY INFORMATION

S1. Frequency entangled qudits

Here we deduce the equations for the frequency-entangled qudit state generated in a Hong-Ou-Mandel (HOM) interference. The setup of the scheme is shown in Fig. 5. The two-photon state from a spontaneous parametric down-conversion (SPDC) process can be described as

$$|\Psi\rangle = \int_0^\infty \int_0^\infty d\omega_s d\omega_i f(\omega_s, \omega_i) \hat{a}_s^\dagger(\omega_s) \hat{a}_i^\dagger(\omega_i) |0\rangle, \quad (8)$$

where $\hat{a}^\dagger(\omega)$ is the creation operator at angular frequency ω , the subscripts s and i denote the signal and idler photons, respectively, and $f(\omega_s, \omega_i)$ is their joint spectral amplitude.

After a delay time τ on the idler arm and passing through a beamsplitter (BS), the state is evolved to be

$$\frac{1}{2} \int_0^\infty \int_0^\infty d\omega_s d\omega_i f(\omega_s, \omega_i) e^{-i\omega_i \tau} [\hat{a}_1^\dagger(\omega_s) \hat{a}_1^\dagger(\omega_i) - \hat{a}_2^\dagger(\omega_s) \hat{a}_2^\dagger(\omega_i) - \hat{a}_1^\dagger(\omega_s) \hat{a}_2^\dagger(\omega_i) + \hat{a}_2^\dagger(\omega_s) \hat{a}_1^\dagger(\omega_i)] |0\rangle, \quad (9)$$

In the above calculation, we applied the relation of

$$\begin{aligned} \hat{a}_s^\dagger(\omega_s) &= \frac{1}{\sqrt{2}} [\hat{a}_1^\dagger(\omega_s) + \hat{a}_2^\dagger(\omega_s)], \\ \hat{a}_i^\dagger(\omega_i) &= \frac{1}{\sqrt{2}} [\hat{a}_1^\dagger(\omega_i) - \hat{a}_2^\dagger(\omega_i)] e^{-i\omega_i \tau}, \end{aligned} \quad (10)$$

where \hat{a}_1^\dagger and \hat{a}_2^\dagger are the creation operators for the fields after the BS in channel 1 (connecting to detector D1) and channel 2 (connecting to detector D2) respectively. For the postselected state such that coincidence count occurs, only last two terms of Eq. (9) remains. One is

$$-\frac{1}{2} \int_0^\infty \int_0^\infty d\omega_s d\omega_i f(\omega_s, \omega_i) e^{-i\omega_i \tau} \hat{a}_1^\dagger(\omega_s) \hat{a}_2^\dagger(\omega_i) |0\rangle. \quad (11)$$

The other is

$$\frac{1}{2} \int_0^\infty \int_0^\infty d\omega_s d\omega_i f(\omega_s, \omega_i) e^{-i\omega_i \tau} \hat{a}_2^\dagger(\omega_s) \hat{a}_1^\dagger(\omega_i) |0\rangle = \frac{1}{2} \int_0^\infty \int_0^\infty d\omega_s d\omega_i f(\omega_i, \omega_s) e^{-i\omega_s \tau} \hat{a}_1^\dagger(\omega_s) \hat{a}_2^\dagger(\omega_i) |0\rangle. \quad (12)$$

By combing these two terms, the unnormalized state after the BS is given by

$$\int_0^\infty \int_0^\infty d\omega_s d\omega_i [-f(\omega_s, \omega_i) e^{-i\omega_i \tau} + f(\omega_i, \omega_s) e^{-i\omega_s \tau}] \hat{a}_1^\dagger(\omega_s) \hat{a}_2^\dagger(\omega_i) |0\rangle. \quad (13)$$

Since we label the modes after the beamsplitter as channel 1 and channel 2, ω_s and ω_i should be replaced by ω_1 and ω_2 , respectively. Then the state (unnormalized) is

$$\int_0^\infty \int_0^\infty d\omega_1 d\omega_2 [-f(\omega_1, \omega_2) e^{-i\omega_2 \tau} + f(\omega_2, \omega_1) e^{-i\omega_1 \tau}] \hat{a}_1^\dagger(\omega_1) \hat{a}_2^\dagger(\omega_2) |0\rangle. \quad (14)$$

Cancelling the global phase by applying $-e^{i\omega_2 \tau}$ and normalizing, we obtain

$$|\phi(\tau)\rangle = \frac{1}{\sqrt{\mathcal{N}}} \int_0^\infty \int_0^\infty d\omega_1 d\omega_2 [f(\omega_1, \omega_2) - f(\omega_2, \omega_1) e^{-i(\omega_1 - \omega_2)\tau}] \hat{a}_1^\dagger(\omega_1) \hat{a}_2^\dagger(\omega_2) |0\rangle, \quad (15)$$

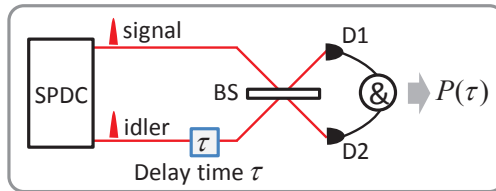


FIG. 5: The setup of Hong-Ou-Mandel (HOM) interference.

where

$$\begin{aligned}\mathcal{N} &= \int_0^\infty \int_0^\infty d\omega_1 d\omega_2 \left| f(\omega_1, \omega_2) - f(\omega_2, \omega_1) e^{-i(\omega_1 - \omega_2)\tau} \right|^2 \\ &= \int_0^\infty \int_0^\infty d\omega_1 d\omega_2 I(\omega_1, \omega_2, \tau),\end{aligned}\quad (16)$$

is the normalization factor.

Due to the strongly anti-correlated phase matching of the PPSLT crystal, $f(\omega_1, \omega_2)$ is approximately described by

$$f(\omega_s, \omega_i) \approx h(\omega_s + \omega_i - \omega_p) \delta(\omega_s + \omega_i - \omega_p). \quad (17)$$

where ω_p is the pump frequency, $\delta(x)$ is the Dirac delta function, and $h(x)$ is determined by the phase matching condition and the pump envelope. Substituting this into Eq. (15), we have

$$|\phi(\tau)\rangle \approx \frac{1}{\sqrt{\mathcal{N}}} \int_0^\infty \int_0^\infty d\omega_1 d\omega_2 h(\omega_1 + \omega_2 - \omega_p) \delta(\omega_1 + \omega_2 - \omega_p) (1 - e^{-i(\omega_1 - \omega_2)\tau}) \hat{a}_1^\dagger(\omega_1) \hat{a}_2^\dagger(\omega_2) |0\rangle. \quad (18)$$

S2. The HOM detection probability and the correlated spectral intensity (CSI)

In the following, we describe the detection process in our HOM experiment. For simplicity, we denote

$$g(\omega_1, \omega_2, \tau) \equiv f(\omega_1, \omega_2) - f(\omega_2, \omega_1) e^{-i(\omega_1 - \omega_2)\tau}. \quad (19)$$

The detection field operators of detector 1 (D1) and detector 2 (D2) are

$$\begin{aligned}\hat{E}_1^{(+)}(t_1) &= \frac{1}{\sqrt{2\pi}} \int_0^\infty d\omega_1 \hat{a}_1(\omega_1) e^{-i\omega_1 t_1}, \\ \hat{E}_2^{(+)}(t_2) &= \frac{1}{\sqrt{2\pi}} \int_0^\infty d\omega_2 \hat{a}_2(\omega_2) e^{-i\omega_2 t_2}.\end{aligned}\quad (20)$$

The coincidence probability $P(\tau)$ as a function of delay time can be expressed as

$$P(\tau) = \int \int dt_1 dt_2 \left\langle \phi \left| \hat{E}_1^{(-)} \hat{E}_2^{(-)} \hat{E}_2^{(+)} \hat{E}_1^{(+)} \right| \phi \right\rangle. \quad (21)$$

First consider $\hat{E}_2^{(+)} \hat{E}_1^{(+)} |\phi\rangle$,

$$\begin{aligned}\hat{E}_2^{(+)} \hat{E}_1^{(+)} |\phi\rangle &= \frac{1}{2\pi} \int_0^\infty \int_0^\infty d\omega_1 d\omega_2 \hat{a}_1(\omega_1) \hat{a}_2(\omega_2) e^{-i\omega_1 t_1} e^{-i\omega_2 t_2} \times \frac{1}{2} \int_0^\infty \int_0^\infty d\omega'_1 d\omega'_2 g(\omega'_1, \omega'_2, \tau) \hat{a}_1^\dagger(\omega'_1) \hat{a}_2^\dagger(\omega'_2) |0\rangle \\ &= \frac{1}{4\pi} \int_0^\infty \int_0^\infty \int_0^\infty \int_0^\infty d\omega_1 d\omega_2 d\omega'_1 d\omega'_2 g(\omega'_1, \omega'_2, \tau) e^{-i\omega_1 t_1} e^{-i\omega_2 t_2} \delta(\omega_1 - \omega'_1) \delta(\omega_2 - \omega'_2) |0\rangle \\ &= \frac{1}{4\pi} \int_0^\infty \int_0^\infty d\omega_1 d\omega_2 g(\omega_1, \omega_2, \tau) e^{-i\omega_1 t_1} e^{-i\omega_2 t_2} |0\rangle.\end{aligned}\quad (22)$$

In the above calculation, $\hat{a}(\omega) \hat{a}^\dagger(\omega') - \hat{a}^\dagger(\omega') \hat{a}(\omega) = \delta(\omega - \omega')$ and $\hat{a}(\omega) |0\rangle = 0$ are used. Then,

$$\begin{aligned}\left\langle \phi \left| \hat{E}_1^{(-)} \hat{E}_2^{(-)} \hat{E}_2^{(+)} \hat{E}_1^{(+)} \right| \phi \right\rangle \\ = \left(\frac{1}{4\pi}\right)^2 \int_0^\infty \int_0^\infty d\omega_1 d\omega_2 g(\omega_1, \omega_2, \tau) e^{-i\omega_1 t_1} e^{-i\omega_2 t_2} \times \int_0^\infty \int_0^\infty d\omega'_1 d\omega'_2 g^*(\omega'_1, \omega'_2, \tau) e^{i\omega'_1 t_1} e^{i\omega'_2 t_2}.\end{aligned}\quad (23)$$

Finally,

$$\begin{aligned}P(\tau) &= \int \int dt_1 dt_2 \left\langle \phi \left| \hat{E}_1^{(-)} \hat{E}_2^{(-)} \hat{E}_2^{(+)} \hat{E}_1^{(+)} \right| \phi \right\rangle \\ &= \left(\frac{1}{4\pi}\right)^2 \int dt_1 dt_2 \int_0^\infty \int_0^\infty d\omega_1 d\omega_2 d\omega'_1 d\omega'_2 g(\omega_1, \omega_2, \tau) g^*(\omega'_1, \omega'_2, \tau) e^{-i(\omega_1 - \omega'_1)t_1} e^{-i(\omega_2 - \omega'_2)t_2} \\ &= \frac{1}{4} \int_0^\infty \int_0^\infty \int_0^\infty \int_0^\infty d\omega_1 d\omega_2 d\omega'_1 d\omega'_2 g(\omega_1, \omega_2, \tau) g^*(\omega'_1, \omega'_2, \tau) \delta(\omega_1 - \omega'_1) \delta(\omega_2 - \omega'_2) \\ &= \frac{1}{4} \int_0^\infty \int_0^\infty d\omega_1 d\omega_2 |g(\omega_1, \omega_2, \tau)|^2.\end{aligned}\quad (24)$$

In the above calculation, the relation of $\delta(\omega - \omega') = \frac{1}{2\pi} \int_{-\infty}^\infty e^{-i(\omega - \omega')t} dt$ is used. If $f(\omega_1, \omega_2)$ is real, i.e. $f(\omega_1, \omega_2) = f^*(\omega_1, \omega_2)$, the correlated spectral intensity (CSI) can be further simplified as

$$I(\omega_1, \omega_2, \tau) \equiv |g(\omega_1, \omega_2, \tau)|^2 = |f(\omega_1, \omega_2)|^2 + |f(\omega_2, \omega_1)|^2 - 2f(\omega_1, \omega_2)f(\omega_2, \omega_1)\cos(\omega_1 - \omega_2)\tau. \quad (25)$$