

Improving Operational Feasibility of Low-voltage Distribution Network by Phase-switching Devices

Bin Liu^{1*}, Ke Meng¹, Peter K.C. Wong², Zhao Yang Dong¹, Cuo Zhang¹, Bo Wang¹, Tian Ting³, Qu Qi⁴

¹School of Electrical Engineering and Telecommunications, The University of New South Wales, Sydney 2052, Australia

²Jemena Electricity Networks (VIC) Ltd., 567 Collins Street, Melbourne 3000, Australia

³Ausnet Services, 2 Southbank Boulevard, Melbourne 3006, Australia

⁴State Grid International Development Pty. Ltd., 88 Changan Avenue, Beijing 100031, China

*bin.liu@unsw.edu.au, eeliubin@hotmail.com

Keywords: Linearisation technique, mixed-integer constraints, phase-switching device, residential PV, unbalanced power flow

Abstract

High penetration of residential photovoltaic (PV) in low-voltage distribution networks (LVDN) makes the unbalance issue more severe due to the asymmetry of generation/load characteristic in different phases, and may lead to infeasible operation of the whole network. Phase switching device (PSD), which can switch the connected phase of a residential load as required, is viable and efficient equipment to help address this issue. This paper, based on three-phase power flow (TUPF) formulation, aims to investigate the benefit of PSD on improving the operation feasibility of LVDN. The linear model of TUPF with PSD is presented to effectively take the flexible device into account, which can be conveniently used to seek the PSD positions that lead to a viable operation strategy of the original problem when infeasibility is reported by the traditional iteration-based algorithm. Case study based on a practical LVDN in Australia demonstrates the efficacy of the proposed method.

1 Introduction

To reduce the consumption of irreversible fossil fuels and alleviate the concerns of climate change issue, renewable energy development has been promoted by most countries world-widely. Among various renewable power generation methods, wind and photovoltaic (PV) generation are most popular in practice due to their technology maturity and sustained decrease in cost. With encouraging policies and incentives from government, Australia is experiencing a remarkable renewable energy development, taking the top spot worldwide in the penetration level of residential PV installation in low-voltage distribution network (LVDN). The annual report released by Australian Energy Council shows that it was another record-breaking year for PV development in Australia in 2018, with the installed residential capacity reaching over 1.4 GW, which increases by 20% compared with 2017. By the end of 2018, cumulative installed capacity of residential PV in Australia stood at 7.98 GW with more than 2 million installations across the nation, and the numbers continues to grow [1].

Power utilities in Australia run extensive four-wire (230/400 V) grid along the streetscape as in many other countries. Multiple points in the LVDN and the neutral conductor at the distribution transformer (DT) all are

earthed [2]. Most residential customers are powered by a bundled cable, which consists of a powered phase and a neutral phase from the nearest pole. Although increasing residential PV generations significantly reduce the bills of electricity customers, it also makes the existing unbalance issue more severe in LVDN. The unbalance issue, which is caused by unbalanced load profile traditionally, can be worsened because PV panels are installed out of customers' wills without careful design beforehand [3]. Unbalances in LVDN can cause lots of operational problems, e.g. high level of neutral current that may lead to protection system malfunction and increased power loss, low electricity supply quality that can shorten the lives of both electrical equipment in the network and appliances of residential customers, and significant voltage drop or heavy loaded feeders in one phase that decrease the usage efficiency of the whole network [4, 5]. From operator's perspective, the unbalance issue can undermine the operational feasibility of LVDN, i.e. leading to infeasible operation by some generation/load profiles. Reflected in power system analysis, infeasible operational situation leads to insolvable case of three-phase unbalanced power flow (TUPF).

To mitigate the unbalance issue, one cost-efficient choice is to employ phase-switching device (PSD) to change the phase that each residential customer is connected depending on the operational state of the LVDN [2, 6]. As deploying PSD provides more options to operate the LVDN, the corresponding TUPF may become solvable due to the enlarged feasible region, thus improving the operational feasibility.

On the topic of solving TUPF, most researchers mainly focus on iteration-based method, e.g. the rigid approach considering the sparsity of distribution network [7], the fast decoupled method [8], the newton-raphson method [9], the current-injection method [10], the direct approach based on bus-injection to branch-current matrix and branch-current to bus-voltage matrix [11], and the approach based on complex theory in $\alpha\beta 0$ stationary reference frame [12]. As iteration-based algorithms relies on the initialized points and the nonlinear formulation of TUPF is not convenient when applied in optimization problem, recent researches focus on investigating the convergence of iteration-based algorithms [13–16] and the linearization of TUPF [14, 17–19]. However, few literature has been reported in solving TUPF of LVDN equipped with PSDs. This is because equipping PSDs in LVDN will introduce integer variables to the

TUPF model, thus making the iteration-based algorithm much more complicated.

Based on reported methods in handling non-convex parts in TUPF model, this paper presents a mixed-integer linear (MIL) formulation of TUPF for LVDN equipped with PSDs, which enables us to investigate the operational feasibility improvement brought by PSD. The efficacy is supported by accurate iteration-based algorithm to solve TUPF and demonstrated on a practical system in Australia. The remaining of the paper is organized as follows. The mathematical formulation of TUPF for LVDN with PSDs is presented in Section II, followed by the non-convexity analysis and solution technique in Section III. Case study based on a practical system in Australia will be performed in Part IV. The paper is concluded in Part V.

2 TUPF for LVDN with PSDs

The formulation are based on Fig.1.

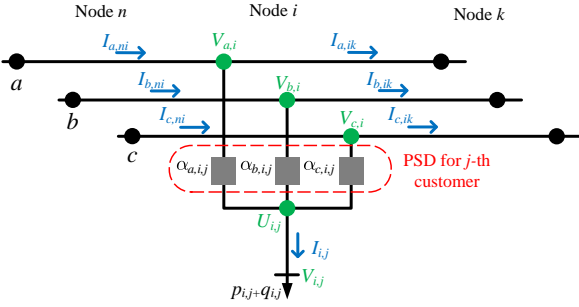


Figure 1: Illustration of operating PSD for flexible customer

In the formulated problem, \mathcal{C}_i is used to represent the set of customers connected to node i , \mathcal{F}_i and \mathcal{X}_i as flexible customers (with PSD installed) and inflexible customers (without PSD), respectively. Obviously, we have $\mathcal{F}_i \cap \mathcal{X}_i = \emptyset$ and $\mathcal{F}_i \cup \mathcal{X}_i = \mathcal{C}_i$. Moreover, V, U will represent voltage with X and Y being the real and image part of V , respectively; I represent current with J and W being the real and image parts, respectively; The subscript $\phi/\psi, i, j, ik$ represent phase ϕ/ψ that belongs to $\{a, b, c\}$, node i , the j^{th} customer at node i and line ik , respectively. Other parameters or variables will be explained right after their appearances.

Moreover, we have the following assumptions for formulating TUPF.

1. The root node, i.e. the low-voltage side of DT, is selected as the balancing node. Therefore, its voltage is a known parameter.
2. All residential customers are PQ bus and powered by single-phase. In other words, the active/reactive powers of all customers are known parameters.
3. Lines between any two poles in LVDN are constructed with four-wire (phase a, b, c and zero earthed conductor), which is the general case in Australia [2].

In the TUPF formulation, the Ohm's law for each line in main feeder must be satisfied as follows.

$$V_{\phi,i} - V_{\phi,k} = \sum_{\psi} Z_{i,k}^{\phi\psi} I_{\phi,ik} \quad \forall \phi, \forall ik \quad (1)$$

where $Z_{i,k}^{\phi\psi}$ is the mutual impedance between phase ϕ and ψ of line ik .

The KCL must be satisfied to ensure the current balance at each node as shown in (2a). Moreover, the current injected to the node from its connected customers should be consistent as shown in (2b) and (2c), and each customer can only be connected to one phase as indicated by (2d) and (2e).

$$\sum_{n:n \rightarrow i} I_{\phi,ni} - \sum_{k:i \rightarrow k} I_{\phi,ik} = \sum_{j \in \mathcal{C}_i} I_{\phi,i,j} \quad \forall \phi, \forall i \neq x \quad (2a)$$

$$I_{\phi,i,j} = \alpha_{\phi,i,j} I_{i,j} \quad \forall \phi, \forall i, \forall j \in \mathcal{F}_i \quad (2b)$$

$$I_{\phi,i,j} = \mu_{\phi,i,j} I_{i,j} \quad \forall \phi, \forall i, \forall j \in \mathcal{X}_i \quad (2c)$$

$$\alpha_{\phi,i,j} \in \{0, 1\} \quad \forall \phi, \forall i, \forall j \quad (2d)$$

$$\sum_{\phi} \alpha_{\phi,i,j} = 1 \quad \forall i, \forall j \quad (2e)$$

where x is the index of root node; $\alpha_{\phi,i,j}$ is binary variable indicating whether the j^{th} customer is connected to phase ϕ of node i ; $\mu_{\phi,i,j}$ is known parameter indicating the initial phase-position of j^{th} customer.

Ohm's law should be satisfied for each connecting line and the terminal voltages of PSD should be identical, leading to

$$U_{i,j} - V_{i,j} = Z_{i,j} I_{i,j} \quad \forall i, \forall j \in \mathcal{C}_i \quad (3a)$$

$$U_{i,j} = \sum_{\phi} \alpha_{\phi,i,j} V_{\phi,i} \quad \forall i, \forall j \in \mathcal{F}_i \quad (3b)$$

$$U_{i,j} = \sum_{\phi} \mu_{\phi,i,j} V_{\phi,i} \quad \forall i, \forall j \in \mathcal{X}_i \quad (3c)$$

where $Z_{i,j}$ is the impedance of the line from node i to its j^{th} customer.

For each customer, the power balance equations are expressed as

$$I_{i,j} = \frac{P_{i,j} - jQ_{i,j}}{V_{i,j}^*} \quad \forall i, \forall j \in \mathcal{C}_i \quad (4)$$

where $P_{i,j}, Q_{i,j}$ are net active and reactive demands of j^{th} customer at node i , respectively.

Particularly, the voltage of root node is assumed to be known, i.e.

$$V_{\phi,x} = V_{\phi}^0 \quad \forall \phi \quad (5)$$

where $V_{\phi,s}^0$ is the known voltage of root node at phase ϕ .

When the phase positions of residential customers are known, the TUPF formulation is equivalent to that expressed by bus-injection-to-bus-current (BIBC) and branch-current-to-bus-voltage (BCBV) matrices in [11], thus can be solved by the iteration-based algorithm proposed there. However, when with PSDs, the algorithm is no longer viable due to introduced integer variables, which motivate us to develop other efficient method to solve the challenging problem in the next section.

3 Solution Technique

Noting that the non-convex parts in TUPF formulation is due to the bilinear terms in (2b) and (3b), and the division operator in (4). The main idea in this paper is to reformulate or linearize the non-convex parts to make it efficiently solvable, as we explain next.

3.1 Linearizing bilinear terms

Noting that the bilinear terms in (2b) and (3b) are the product of a binary and continuous variables, they can be exactly reformulated as mixed-integer linear (MIL) constraints noting the following equivalent formulation [20,21].

$$\left. \begin{array}{l} z = xy \\ x \in \{0, 1\} \\ y \in [y^{\min}, y^{\max}] \end{array} \right\} \Leftrightarrow \left\{ \begin{array}{l} xy^{\min} \leq z \leq xy^{\max} \\ (x-1)y^{\max} \leq z-y \\ \leq (x-1)y^{\min} \end{array} \right. \quad (6)$$

Based on (6), (2b) can be exactly reformulated as

$$I_{\phi,i,j} = z_{\phi,i,j}^J + jz_{\phi,i,j}^W \quad (7)$$

$$\alpha_{\phi,i,j} J^{\min} \leq z_{\phi,i,j}^J \leq \alpha_{\phi,i,j} J^{\max} \quad (8)$$

$$(\alpha_{\phi,i,j} - 1)J^{\max} \leq z_{\phi,i,j}^J - J_{i,j} \leq (\alpha_{\phi,i,j} - 1)J^{\min} \quad (9)$$

$$\alpha_{\phi,i,j} W^{\min} \leq z_{\phi,i,j}^W \leq \alpha_{\phi,i,j} W^{\max} \quad (10)$$

$$(\alpha_{\phi,i,j} - 1)W^{\max} \leq z_{\phi,i,j}^W - W_{i,j} \leq (\alpha_{\phi,i,j} - 1)W^{\min} \quad (11)$$

Similarly, (3b) can be reformulated as

$$U_{i,j} = \sum_{\phi} z_{\phi,i,j}^E + j \sum_{\phi} z_{\phi,i,j}^F \quad (12)$$

$$\alpha_{\phi,i,j} X^{\min} \leq z_{\phi,i,j}^E \leq \alpha_{\phi,i,j} X^{\max} \quad (13)$$

$$(\alpha_{\phi,i,j} - 1)X^{\max} \leq z_{\phi,i,j}^E - X_{\phi,i} \leq (\alpha_{\phi,i,j} - 1)X^{\min} \quad (14)$$

$$\alpha_{\phi,i,j} Y^{\min} \leq z_{\phi,i,j}^F \leq \alpha_{\phi,i,j} Y^{\max} \quad (15)$$

$$(\alpha_{\phi,i,j} - 1)Y^{\max} \leq z_{\phi,i,j}^F - Y_{\phi,i} \leq (\alpha_{\phi,i,j} - 1)Y^{\min} \quad (16)$$

Thus, the con-convex bilinear terms in (2b) and (3b) are exactly reformulated as MIL constraints.

3.2 Linearizing power balance equation

The linearization of power balance equation is mainly based on the assumption that the voltage angles of all nodes in each phase are with limited difference, which has been demonstrated in [17, 20, 22–24]. To make this more clear in formulation, we assume VM limit at node i is $[V_i^{\min}, V_i^{\max}]$ for any phase, and VA limit in phase ϕ for any node is $[\delta_{\phi}^{\min}, \delta_{\phi}^{\max}]$. Further, VA is assumed to be centered at δ_{ϕ} , which leads to $\delta_{\phi}^{\min} = \delta_{\phi} - \Delta\delta$, $\delta_{\phi}^{\max} = \delta_{\phi} + \Delta\delta$.

Specifically, the linearization idea is firstly approximating $1/V^*$ in (4) by a linear function, and then to further linearize the power balance equations.

3.2.1 Linearizing $1/V^*$

For $V_{i,j}$ in (4), we here take the following generalized form to illustrate how to approximately linearize it.

$$f(V) = \frac{1}{V^*} = \frac{1}{X - jY} = \frac{X + jY}{|V|^2} \quad (17)$$

where $V = X + jY$.

To linearize (17), one method is based on linear expansion of a function in complex domain as discussed in [19]. For $f(V)$, it can be approximated by $2 - V^*$ when V^* is around $1 + j0$. For V^* with VA centered at δ , the following linearization can be derived.

$$f(V) = \frac{1}{V^*} \approx 2e^{j\delta} - V^*e^{j2\delta} \quad (18)$$

We denote this method as complex-based method (CBM) throughout the context.

Another method is employing least square method (LSM) to linearize $f_X(V) = X/|V|^2$ and $f_Y(V) = Y/|V|^2$, by the following expressions, respectively [18, 25].

$$f_X(V) \approx k^X X + k^Y Y + b^X \quad (19a)$$

$$f_Y(V) \approx h^X X + h^Y Y + b^Y \quad (19b)$$

where $k^X, k^Y, b^X, h^X, h^Y, b^Y$ are parameters to be fitted.

To fit all parameters in (19), a sufficient number of known points must be provided, which can be sampled in the specified region as follows taking the phase ϕ of node i as an example.

- Discretise the feasible region of voltage magnitude (VM) of node i , i.e. $[V_i^{\min}, V_i^{\max}]$, as M points, the set of which is denoted as $\mathcal{VM} = \{V_i^1, \dots, V_i^M\}$.
- Discretise the feasible region of voltage angle (VA) of phase ϕ , i.e. $[\delta_{\phi}^{\min}, \delta_{\phi}^{\max}]$, as N points, the set of which is denoted as $\mathcal{VA} = \{\delta_{\phi}^1, \dots, \delta_{\phi}^N\}$.
- For each combination of elements in \mathcal{VM} and \mathcal{VA} , say (V_i^m, δ_{ϕ}^n) , exact values of $X_{\phi}^{m,n}, Y_{\phi}^{m,n}, f_{X,\phi}^{m,n}, f_{Y,\phi}^{m,n}$ are calculated as

$$X_{\phi}^{m,n} = V_i^m \cos \delta_{\phi}^n, \quad Y_{\phi}^{m,n} = V_i^m \sin \delta_{\phi}^n$$

$$f_{X,\phi}^{m,n} = \frac{X_{\phi}^{m,n}}{(X_{\phi}^{m,n})^2 + (Y_{\phi}^{m,n})^2}$$

$$f_{Y,\phi}^{m,n} = \frac{Y_{\phi}^{m,n}}{(X_{\phi}^{m,n})^2 + (Y_{\phi}^{m,n})^2}$$

- All the sampled points, i.e.

$$(X_{\phi}^{m,n}, Y_{\phi}^{m,n}, f_{X,\phi}^{m,n}, f_{Y,\phi}^{m,n}) \quad (\forall m, \forall n)$$

will be used to determine the parameters in (19).

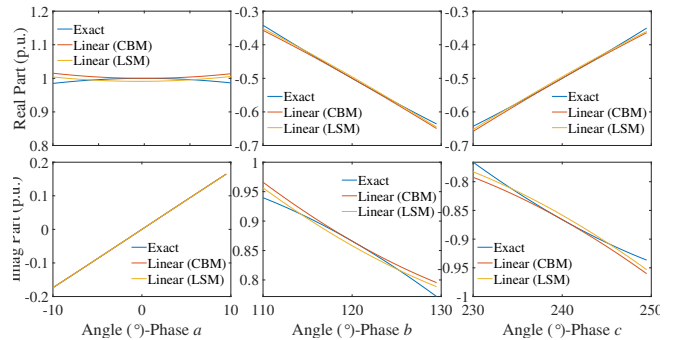


Figure 2: Comparison of different methods to linearize $f_X(V)$ and $f_Y(V)$ (Only the fitting results when $|V| = 1$ is presented with respect to different VAs)

Moreover, parameters in (19) should be calculated for each phase separately. The analytical expression of the parameters can be found in [17] and is omitted here for simplicity.

The comparison of the two methods are showed in Fig.2, where the both methods are based on $V^{\min} = 0.95, V^{\max} = 1.05$, and $\delta_a = 0^\circ, \delta_b = 120^\circ, \delta_c = 240^\circ$, and $\Delta\delta = 10^\circ$. The simulation results show both of the methods are with high accuracy. In this paper, the LSM will be employed for TUPF linearization.

3.2.2 Linearizing power balance equation

With (19), (4) can be reformulated as

$$\begin{aligned} I_{i,j} &= (P_{i,j} - jQ_{i,j})[k_{i,j}^X X_{i,j} + k_{i,j}^Y Y_{i,j} + b_{i,j}^X \\ &\quad + j(h_{i,j}^X X_{i,j} + h_{i,j}^Y Y_{i,j} + b_{i,j}^Y)] \quad \forall i, \forall j \\ k_{i,j}^X &= \sum_{\phi} \varkappa_{\phi,i,j} k_{\phi}^X, \quad h_{i,j}^X = \sum_{\phi} \varkappa_{\phi,i,j} h_{\phi}^X \quad \forall i, \forall j \\ k_{i,j}^Y &= \sum_{\phi} \varkappa_{\phi,i,j} k_{\phi}^Y, \quad h_{i,j}^Y = \sum_{\phi} \varkappa_{\phi,i,j} h_{\phi}^Y \quad \forall i, \forall j \\ b_{i,j}^X &= \sum_{\phi} \varkappa_{\phi,i,j} b_{\phi}^X, \quad b_{i,j}^Y = \sum_{\phi} \varkappa_{\phi,i,j} b_{\phi}^Y \quad \forall i, \forall j \end{aligned} \quad (20)$$

where $\varkappa_{\phi,i,j}$ equals to $\mu_{\phi,i,j}$ for $j \in \mathcal{X}_i$ and $\alpha_{\phi,i,j}$ for $j \in \mathcal{F}_i$

Obviously, for inflexible customers, (20) is linear. However, for flexible customers, expanding (20) will lead to non-convex bilinear terms. Noting that each bilinear term is again the product of a integer variable and a continuous variable, it can be exactly linearized according to (6) as well.

3.3 Algorithm

Based on the solution techniques discussed previously, the algorithm to improve operational feasibility of the LVDN with PSD is given as Algorithm 1.

Algorithm 1: Algorithm to improve operational feasibility of TUPF in LVDN with PSD

```

Input: Customer load and network parameters, initial
positions of PSDs  $\mu_{\phi,i,j} (\forall \phi, \forall i, \forall j \in C_i)$ 
Result:  $V_{\phi,i} (\forall \phi, \forall i)$  and  $\alpha_{\phi,i,j} (\forall \phi, \forall i, \forall j \in \mathcal{F}_i)$ 
1 Solve NTUPF with  $\alpha_{\phi,i,j} = \mu_{\phi,i,j} (\forall \phi, \forall i, \forall j \in \mathcal{F}_i)$ .
2 if NTUPF is feasible then
3   | End and report the solution.
4 end
5 else
6   | Solve LTUPF regarding  $\alpha_{\phi,i,j}$  as variables.
7   if LTUPF is infeasible then
8     | End and report infeasibility.
9   end
10  else
11    | Solve NTUPF with  $\mu_{\phi,i,j}$  fixed as  $\alpha_{\phi,i,j}$  calculated
12    | from LTUPF.
13    if NTUPF is feasible then
14      | End and report the solution.
15    end
16    else
17      | End and report infeasibility.
18    end
19 end

```

¹The feasible solution here refers to a combination of net active/reactive power demands in LVDN.

Several remarks on the formulation and solution technique are given below.

1. The linear TUPF with PSD (LTUPF) is in MIP forms, where the error only arises from linearizing $1/V$ compared with its exact formulation, i.e. non-convex TUPF (NTUPF). The resulted errors in LTUPF by linearizing $1/V$ will be further tested in case study.
2. Due to introduced integer variables, even LTUPF may have multiple solutions. To demonstrate the benefit of deploying PSD more clear, we take the solution achieving best balance among three phases, i.e. minimum U_x in (21), as the one to be investigated.

$$F = \min \left\{ U_x \left| \begin{array}{l} |P_{\phi} - P_{\psi}| \leq U_x \quad \forall \phi, \psi \\ |Q_{\phi} - Q_{\psi}| \leq U_x \quad \forall \phi, \psi \end{array} \right. \right\} \quad (21)$$

where $P_{\phi} = \sum_i (\sum_{j \in \mathcal{X}_i} \mu_{\phi,i,j} P_{i,j} + \sum_{j \in \mathcal{F}_i} \alpha_{\phi,i,j} P_{i,j})$ and $Q_{\phi} = \sum_i (\sum_{j \in \mathcal{X}_i} \mu_{\phi,i,j} Q_{i,j} + \sum_{j \in \mathcal{F}_i} \alpha_{\phi,i,j} Q_{i,j})$.

It is noteworthy that seeking the preferred LTUPF is different from solving the more complicated three-phase unbalanced optimal power flow (TUOPF) problem, where the VM limits and ampacities of conductors must be considered as well. LTUPF is solved by commercial solvers Gurobi 8.0.1 [26] in this paper.

3. Similar to single-phase direct-current power flow (DCPF) and alternative-current power flow (ACPF), solving LTUPF may lead to actually infeasible solutions¹. The feasibility is verified or judged by again running the NTUPF with updated power demand. However, infeasibility reported by NTUPF does not conclude that the solution reported by LTUPF is infeasible, because checking the feasibility of a combination of load profiles is NP-hard [25, 27]. This is beyond the scope of this paper and will not be discussed in detail.

4 Case Study

4.1 Simulation setup

A practical LVDN in Australia is employed in this paper to investigate how the PSD help improve the operational feasibility. The topology of the system is as shown in Fig.3. In the LVDN, 77 single-phase powered residential customers are connected, where customer 1, 9, 17, ..., 65 and 73 are equipped with PSDs. The active/reactive demand of residential customers are shown in Fig.4.

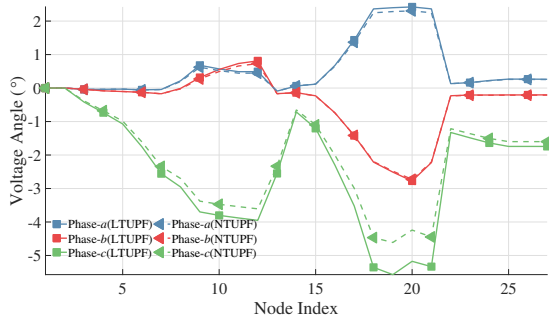


Figure 8: Calculated VAs for Case II (VAs for phase b and c are rotated 120° clockwise and anti-clockwise, respectively)

5 Conclusions

Unbalance issue, which can be worsened by penetrating residential PV generation, may undermine the operational feasibility of LVDN, i.e. leading to infeasible TUPF problem. This paper presents an algorithm to switch the positions of PSDs to improve the operational feasibility and demonstrates its efficacy under some extreme load profiles. The proposed linear TUPF model for LVDN with PSD can be further developed to make it suitable in optimisation problems. Accordingly, other topics in this area, e.g. find the best locations to install PSDs, seeking optimal strategies to switch PSDs, all fall in our future research interests.

Acknowledgments

The corresponding author of this paper would like to acknowledge that this work is funded by ARENA (Australian Renewable Energy Agency) Project: Demonstration of three-phase dynamic grid-side technologies for increasing distribution network DER hosting capacity. Disclaimer: The views expressed herein are not necessarily the views of the Australian Government, and the Australian Government does not accept responsibility for any information or advice contained herein.

References

- [1] "Solar report (January 2019)," Australian Energy Council, Report, 2019. [Online]. Available: <https://www.energycouncil.com.au/media/15358/australian-energy-council-solar-report.-january-2019.pdf>
- [2] P. K. C. Wong, A. Kalam, and R. Barr, "Modelling and analysis of practical options to improve the hosting capacity of low voltage networks for embedded photo-voltaic generation," *IET Renew. Power Gener.*, vol. 11, no. 5, pp. 625–632, 2017.
- [3] N. K. Roy, H. R. Pota, and M. A. Mahmud, "DG integration issues in unbalanced multi-phase distribution networks," in *Proc. Australian Universities Power Engineering Conference (AUPEC)*, 2016.
- [4] J. Zhu, M.-Y. Chow, and F. Zhang, "Phase balancing using mixed-integer programming," *IEEE Trans. Power Syst.*, vol. 13, no. 4, pp. 1487–1492, 1998.
- [5] J. Zhu, G. Bilbro, and M.-Y. Chow, "Phase balancing using simulated annealing," *IEEE Trans. Power Syst.*, vol. 14, no. 4, pp. 1508–1513, 1999.
- [6] J. Horta, D. Kofman, D. Menga, and M. Caujolle, "Augmenting der hosting capacity of distribution grids through local energy

- markets and dynamic phase switching," in *Proc. the Ninth International Conference on Future Energy Systems - e-Energy '18*, Karlsruhe, Germany, 2018.
- [7] T. H. Chen, M. S. Chen, K. J. Hwang, P. Kotas, and E. A. Chebli, "Distribution system power flow analysis—a rigid approach," *IEEE Trans. Power Del.*, vol. 6, no. 3, pp. 1146–1152, 1991.
- [8] R. D. Zimmerman and H. D. Chiang, "Fast decoupled power-flow for unbalanced radial-distribution systems," *IEEE Trans. Power Syst.*, vol. 10, no. 4, pp. 2045–2052, 1995.
- [9] H. L. NGUYEN, "Newton-raphson method in complex form," *IEEE Trans. Power Syst.*, vol. 12, no. 3, pp. 1355–1359, 1997.
- [10] P. Garcia, J. Pereira, S. Carneiro, V. d. Costa, and N. Martins, "Three-phase power flow calculations using the current injection method," *IEEE Trans. Power Syst.*, vol. 15, no. 2, pp. 508–514, 2000.
- [11] T. Jen-Hao, "A direct approach for distribution system load flow solutions," *IEEE Trans. Power Del.*, vol. 18, no. 3, pp. 882–887, 2003.
- [12] P. Arbolea, C. Gonzalez-Moran, and M. Coto, "Unbalanced power flow in distribution systems with embedded transformers using the complex theory in α/β stationary reference frame," *IEEE Trans. Power Syst.*, vol. 29, no. 3, pp. 1012–1022, 2014.
- [13] C. Wang, A. Bernstein, J.-Y. Le Boudec, and M. Paolone, "Existence and uniqueness of load-flow solutions in three-phase distribution networks," *IEEE Trans. Power Syst.*, vol. 32, no. 4, pp. 3319–3320, 2018.
- [14] A. Bernstein, C. Wang, E. Dall'Anese, J.-Y. Le Boudec, and C. Zhao, "Load flow in multiphase distribution networks: Existence, uniqueness, non-singularity and linear models," *IEEE Trans. Power Syst.*, vol. 33, no. 6, pp. 5832–5843, 2018.
- [15] M. Bazrafshan and N. Gatsis, "Convergence of the z-bus method for three-phase distribution load-flow with zip loads," *IEEE Trans. Power Syst.*, vol. 33, no. 1, pp. 153–165, 2018.
- [16] —, "Comprehensive modeling of three-phase distribution systems via the bus admittance matrix," *IEEE Trans. Power Syst.*, vol. 33, no. 2, pp. 2015–2029, 2018.
- [17] H. Ahmadi, J. R. Marti, and A. von Meier, "A linear power flow formulation for three-phase distribution systems," *IEEE Trans. Power Syst.*, vol. 31, no. 6, pp. 5012–5021, 2016.
- [18] A. Garces, "A linear three-phase load flow for power distribution systems," *IEEE Trans. Power Syst.*, vol. 31, no. 1, pp. 827–828, 2016.
- [19] A. Bernstein and E. Dall'Anese, "Linear power flow models in multiphase distribution networks," in *Proc. IEEE PES Innovative Smart Grid Technologies Conference Europe (ISGT-Europe)*, Turin, Italy, 2017.
- [20] J. A. Castrillon, J. S. Giraldo, and C. A. Castro, "MILP for optimal reactive compensation and voltage control of distribution power systems," in *Proc. IEEE Power & Energy Society General Meeting*, Chicago, USA, 2017.
- [21] B. Liu, K. Meng, Z. Y. Dong, and W. Wei, "Optimal dispatch of coupled electricity and heat system with independent thermal energy storage system," *IEEE Trans. Power Syst.*, 2019.
- [22] L. Gan and S. H. Low, "Convex relaxations and linear approximation for opf in multiphase radial networks," in *Proc. Power Systems Computation Conference*, Dublin, Ireland, 2018.
- [23] B. A. Robbins and A. D. Dominguez-Garcia, "Optimal reactive power dispatch for voltage regulation in unbalanced distribution systems," *IEEE Trans. Power Syst.*, vol. 31, no. 4, pp. 2903–2913, 2016.
- [24] J. C. Lopez, J. F. Franco, M. J. Rider, and R. Romero, "Optimal restoration/maintenance switching sequence of unbalanced three-phase distribution systems," *IEEE Trans. Smart Grid*, vol. 9, no. 6, pp. 6058–6068, 2018.
- [25] B. Liu, W. Wei, and F. Liu, "Locating all real solutions of power flow equations: a convex optimisation-based method," *IET Generation, Transmission Distribution*, vol. 12, no. 10, pp. 2273–2279, 2018.
- [26] L. Gurobi Optimization, "Gurobi optimizer reference manual," 2018. [Online]. Available: <http://www.gurobi.com>
- [27] B. Liu, F. Liu, B. Zhai, and H. Lan, "Investigating continuous power flow solutions of IEEE 14-bus system," *IEEE Transactions on Electrical and Electronic Engineering*, vol. 14, no. 1, pp. 157–159, 2019.