

The space cold atom interferometer for testing the equivalence principle in the China Space Station

¹*State Key Laboratory of Magnetic Resonance and Atomic and Molecular Physics, Innovation Academy for Precision Measurement Science and Technology, Chinese Academy of Sciences, Wuhan 430071, China*

²*University of Chinese Academy of Sciences, Beijing 100049, China*

³*Hefei National Laboratory, Hefei, 230094, China*

⁴*Wuhan Institute of Quantum Technology, Wuhan 430206, China*

⁵*Wuhan Zmvision Technology Co., Ltd., Wuhan 430070, China*

*:** chenxi@apm.ac.cn

† wangjin@apm.ac.cn

mszhan@apm.ac.cn

Abstract

1 Introduction

□

-

□

S. Fray et al

-

P. Asenbaum et al

-

□

-

□

□

□

-

-

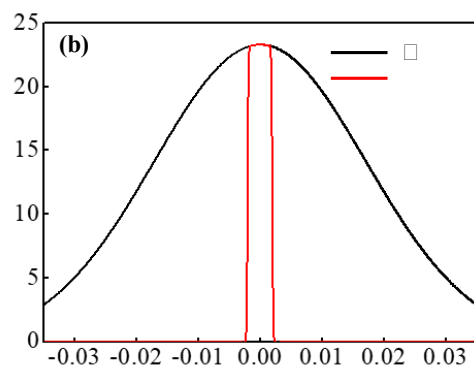
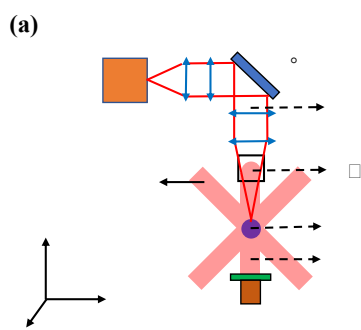
□

-

2 Key technologies of the payload design

□

2.1 Three-dimension velocity selection for achieving ultracold atoms



N T μ
 r l t

□

z-

x

y-z

□

z

x- y-

T

$$v_0 = \sqrt{k_B T_e / m_{Rb}} \quad k_{\square}$$

□

$$F(r, v, t) = \frac{1}{\sqrt{2\pi r_0}} e^{-(r-vt)^2/2r_0^2} \frac{1}{\sqrt{2\pi v_0}} e^{-v^2/2v_0^2}$$

$$f(v, t) = \int_{-l}^l F(r, v, t) dr$$

$$\beta_{1D} = \int_{-\infty}^{\infty} f(v, t) dv$$

$$T_{sel-1D} = \int_{-\infty}^{\infty} m_{Rb} v^2 f(v, t) dv / (\beta_{1D} k_B)$$

T T β β

N T μ r

l t

β

N

T

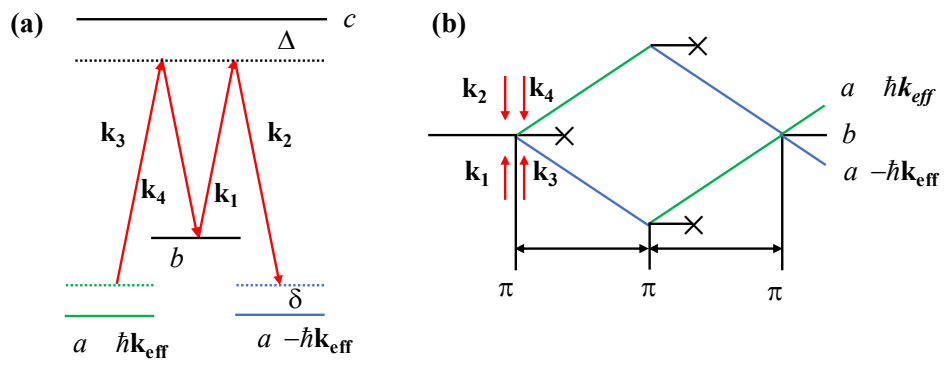
2.2 Double-diffraction Raman interference scheme associated with the phase shear method

i

□

$$\begin{array}{ccccccc}
 & & a & \hbar \mathbf{k}_{\text{eff}} & a & -\hbar \mathbf{k}_{\text{eff}} & a & b & & F & m \\
 F & m & & & & & F & m & & F & m \\
 & & & & & & & & & & \mathbf{k}_{\text{eff}} \equiv \mathbf{k}_1 \\
 -\mathbf{k}_2 & \mathbf{k}_3 & -\mathbf{k}_4 & & & & & & & \mathbf{k}_m & m
 \end{array}$$

□



$$\begin{array}{ccccccc}
 & & a & b & & & F & m \\
 F & m & F & m & F & m & c & F & m \\
 \Delta & \delta & & & & & & &
 \end{array}$$

□

□

$$\phi_{\text{Rot},i} = 4k_{\text{eff},i} \Omega_x v_{y,i} T^2 - 4k_{\text{eff},i} \Omega_y v_{x,i} T^2$$

$$\begin{array}{ccc}
 \Omega_x & \Omega_y & \\
 & & v \quad v \\
 & & x-y \\
 & & z
 \end{array}$$

□

□

2.3 Rotation compensation scheme with a piezoelectric deflector

□

$$\begin{aligned}
 \phi_{\text{Rot},i} = & 4k_{\text{eff},i} \Omega_x v_{y,i} T^2 + 2k_{\text{eff},i} \theta_{1x} y_i + 2k_{\text{eff},i} \theta_{3x} (y_i + 2v_{y,i} T) \\
 & - 4k_{\text{eff},i} \Omega_y v_{x,i} T^2 - 2k_{\text{eff},i} \theta_{1y} x_i - 2k_{\text{eff},i} \theta_{3y} (x_i + 2v_{x,i} T)
 \end{aligned}$$

$$\begin{array}{ccc}
 \theta_\alpha & \alpha & x \ y \\
 & \alpha & v_\alpha
 \end{array}
 \quad n$$

□

θ_α

2.4 Optimized the Raman laser ratio to eliminate the AC-Stark shift

□

Ω Δv

$$\Delta v_{ac,i} = \sum_{kj} \frac{|\Omega_{k,j,a,i}|^2}{4\Delta_{k,j,a,i}} - \frac{|\Omega_{k,j,b,i}|^2}{4\Delta_{k,j,b,i}}$$

$$\Omega_{\text{eff},1} = \sum_j \left(\frac{\Omega_{1,j,a,1}\Omega_{2,j,b,1}}{2\Delta_{1,j,a,1}} - \frac{\Omega_{2,j,a,1}\Omega_{3,j,b,1}}{2\Delta_{2,j,a,1}} \right)$$

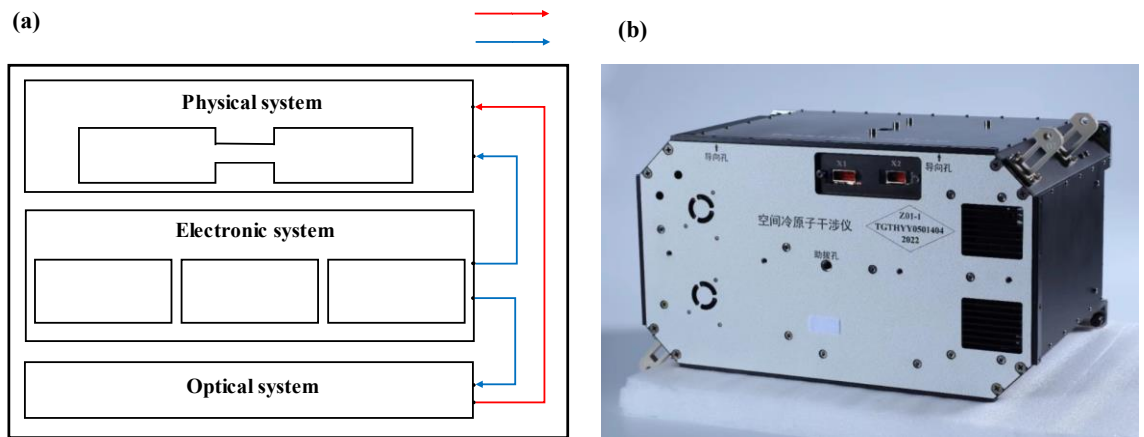
$$\Omega_{\text{eff},2} = \sum_j \left(\frac{\Omega_{4,j,a,2}\Omega_{5,j,b,2}}{2\Delta_{4,j,a,2}} - \frac{\Omega_{5,j,a,2}\Omega_{6,j,b,2}}{2\Delta_{5,j,a,2}} \right)$$

 Ω Δ $k \quad \dots$ $-$ $F \quad m$ $F \quad m$ $F \quad m \quad a \quad b$ $F \quad m$

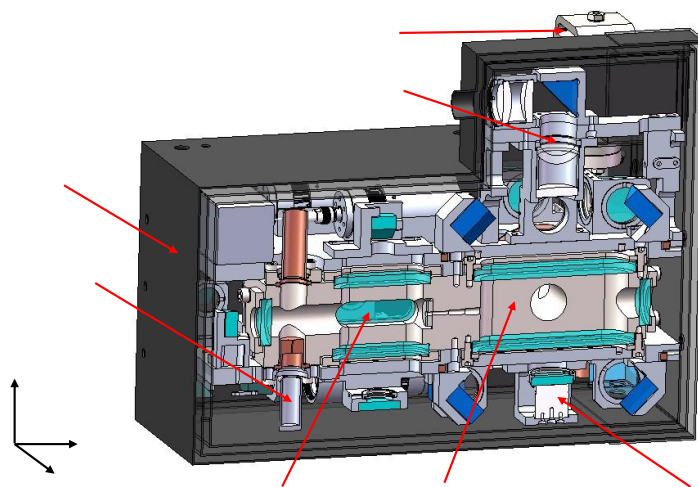
$$\begin{array}{cc} \Delta v & \Delta v \\ \Omega & \Omega \end{array}$$

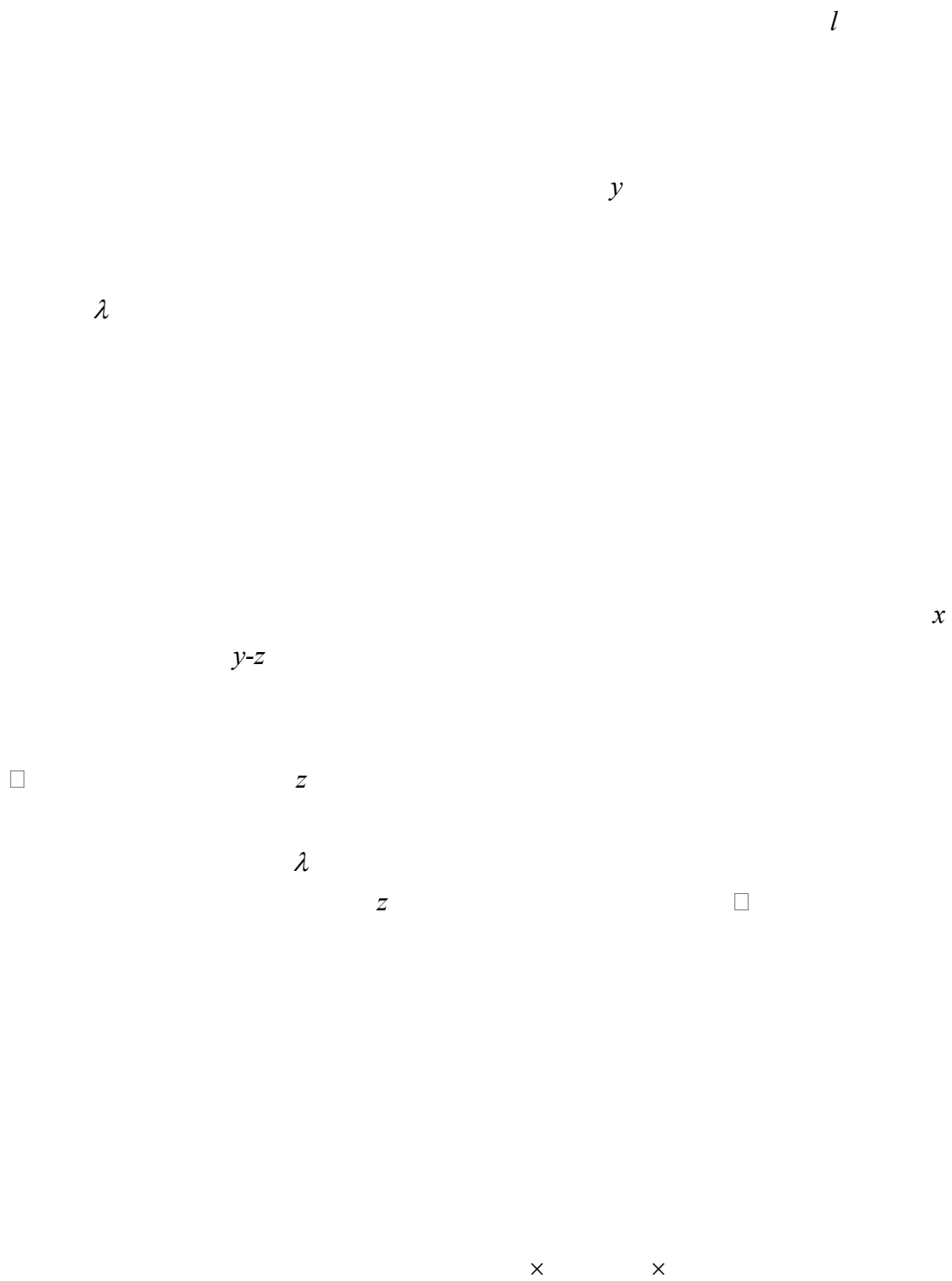
$$\begin{array}{l} |F \rangle \rightarrow |F \rangle \\ |F \rangle \rightarrow |F \rangle \end{array}$$

3 Design of the space cold atom interferometer payload

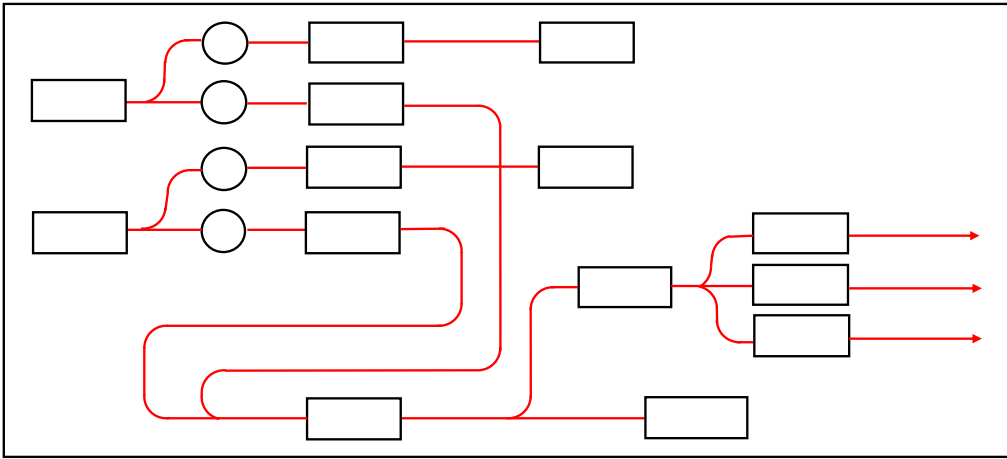


3.1 Design of the physical system





3.2 Design of the optical system



□

-1

$|F \rightarrow |F$

□

$|F \rightarrow |F$

$|F \rightarrow |F$

× ×

3.3 Design of the electronic system

± ±

× ×

4 Experiment process in space

— $|F \rangle \rightarrow |F \rangle$ $|F \rangle \rightarrow |F \rangle$
 $|F \rangle \rightarrow |F \rangle$ $|F \rangle \rightarrow |F \rangle$

$$- \quad |F \rangle \rightarrow |F \rangle \quad |F \rangle \rightarrow |F \rangle$$

$$|F \rangle \rightarrow |F \rangle \quad |F \rangle \rightarrow |F \rangle$$

μ

$$|F \rangle \rightarrow |F \rangle \quad |F \rangle \rightarrow |F \rangle$$

$$|F \ m \rangle \quad |F \ m \ F \rangle \quad |F \ m \rangle$$

$$|F \rangle \rightarrow |F \rangle \quad |F \rangle \rightarrow |F \rangle$$

$$|F \rangle \rightarrow |F \rangle \quad |F \rangle \rightarrow |F \rangle$$

$$|F \ m \rangle \quad |F \ m \rangle \quad |F \ m \rangle$$

$$|F \rangle \rightarrow |F \rangle \quad |F \rangle \rightarrow |F \rangle$$

$$|F \ m \rangle \quad |F \ m \rangle$$

□

5 Analysis of the test precision

η

$$\eta = \frac{g_1 - g_2}{(g_1 + g_2)/2} = \frac{(g_1 - a_s) - (g_2 - a_s)}{(g_1 + g_2)/2} = \frac{a_1 - a_2}{(g_1 + g_2)/2} = \frac{\Delta a}{g}$$

g_i

$$\frac{a_i}{\Delta a} \quad \eta$$

$$\phi_i \quad k \quad aT \quad \eta$$

$$\eta = \frac{\Delta\phi}{2k_{\text{eff},1}gT^2} - \frac{\Delta k}{2k_{\text{eff},1}} \frac{a_2}{g}$$

$$\Delta\phi = \phi - \phi \quad \Delta k \quad k \quad -k$$

$$k \quad T$$

$$k \quad - \quad T \quad - \quad g \quad -$$

$$k \quad T \quad g$$

η

$$\Delta k \quad k \quad \times \quad -$$

a

$$\times \quad -$$

η

□

$$\Delta\phi$$

$$\Delta\phi$$

T

5.1 Quantum projection noise

$$\sigma_{\Delta\phi} = \sqrt{\sum_{i=1,2} \frac{1}{N_i C_i^2}}$$

N_i

C_i

N

N

C

5.2 Detection noise

$$\sigma_{\Delta\phi} = \sqrt{\sum_{i=1,2} \left(\frac{1}{C_i^2 N_{\text{counts},i}} + \frac{m\delta_{\text{read}}^2}{C_i^2 N_{\text{counts},i}^2} + \frac{mt_{\text{exp}}\delta_{\text{dark}}^2}{C_i^2 N_{\text{counts},i}^2} \right)}$$

N

m

δ δ

t

$$N_{\text{counts},i} = N_i \beta \gamma t_{\text{det}} \frac{\Gamma_i I_{0,i} / I_{s,i}}{2(1 + 4(\Delta_i / \Gamma_i)^2 + I_{0,i} / I_{s,i})}$$

β

γ

t

Γ

I

I

5.3 Effect of the rotation and gravity gradient

$$\phi_{\text{gg},i} = 2k_{\text{eff},i} T_{zz} z_i T^2 + 2k_{\text{eff},i} T_{zz} v_{z,i} T^3$$

T z z z v

T μ μ
 μ μ

5.4 Effect of the magnetic field

z

$$\Delta\phi_{\text{mag}} = 4\pi\hbar(k_{\text{eff},1}\alpha_1/m_1 - k_{\text{eff},2}\alpha_2/m_2)B_0\gamma_m T^2$$

\hbar α m
 B γ_m

5.5 Effect of the AC-Stark shift

$\delta\nu$

π

$$\phi_{\text{ac},i} = 4\delta\nu_{\text{ac},i}\tau$$

τ π $\delta\nu$

z

π

τ

μ

$F \quad m \quad \rangle$

$F \quad m \quad \rangle$

μ

5.6 Effect of the wave front aberration

$x-y$

λ

μ

Error source	Estimated uncertainty
	× -
	× -
	× -
	× -
	× -
	× -
	× -
	× -
	× -

6 Ground test for the scientific payload

z

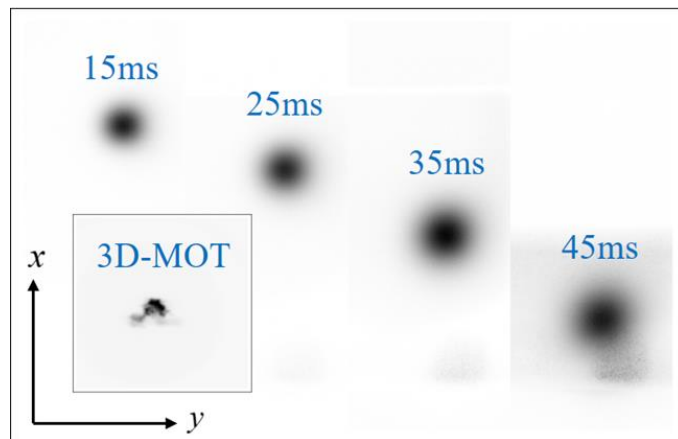
x

x

6.1 Laser cooling experiment

x

μ



6.2 Double-diffraction Raman interference experiment

$$|F \rangle \rightarrow |F \rangle$$

$|F \rangle$ $F \rangle$
 $|F \rangle \rightarrow |F \rangle$

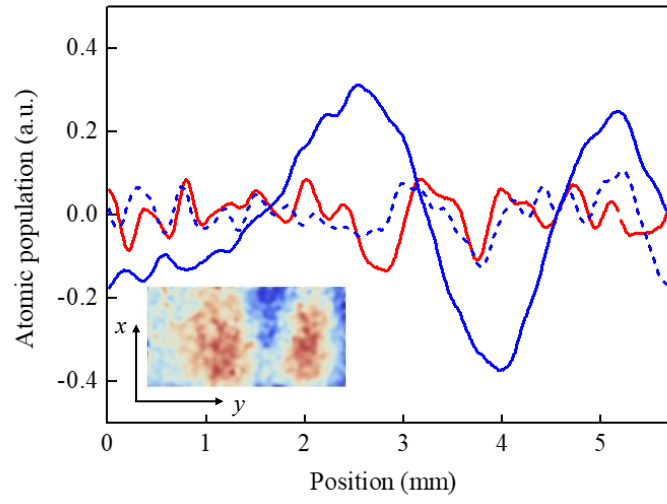
$|F$

x

x

z
 $|F$
 $|F$

$|F$



x

7 Conclusion

Data availability

Acknowledgement

□

AUTHOR CONTRIBUTIONS

□

ADDITIONAL INFORMATION

Reference

Phys. Rev. D **66**

Phys. Rev. Lett. **88**

□

Phys. Rev. Lett. **111**

Proc.

Royal Soc. Lond. **104**

□

Phys. Rev. Lett. **93**

Class. Quantum Grav. **29**

Astrophys. J.

848

J. Cosmol. Astropart. Phys.

2017

Phys. Rev. Lett. **93**

□

□

□

Phys. Rev. A **88**

Phys. Rev.

Lett. **112**

Phys. Rev. Lett. **113**

□

□

□

Phys. Rev. A **92**

Phys. Rev. Lett. **115**

Eur. Phys. J. D **74**

Phys. Rev. A

104

Front. Phys. **10**

Phys. Rev. Lett. **125**

Phys. Rev. Lett. **117**

□

Chin. Phys. Lett. **37**

Nat. Commun. **8**

Class. Quantum Grav. **36**

Microgravity

Sci. Technol. **23**

□

□

Nature **562**

Nat. Commun.

12

Appl. Phys. B **84**

□

□

Nat.

Commun. **7**

Class. Quantum Grav. **31**

Appl. Phys. B **89**

□

Science **328**

□

Phys. Rev. Lett. **110**

Nucl. Phys. B (Proc. Suppl.) **243-244**

NPJ Microgravity **4**

□

Nature **582**

□

EPJ

Quantum Technol. **8**

Microgravity Sci. Technol. **22**

Eur.

Phys. J. D **73**

□

Opt.

Commun. **249**

Phys. Rev. Lett. **103**

Phys. Rev. Lett. **111**

Appl. Phys. B **120**

Phys.

Rev. A **96**