

## User's Guide

Learn how to use your Fujitsu  
LIFEBOOK P772 notebook

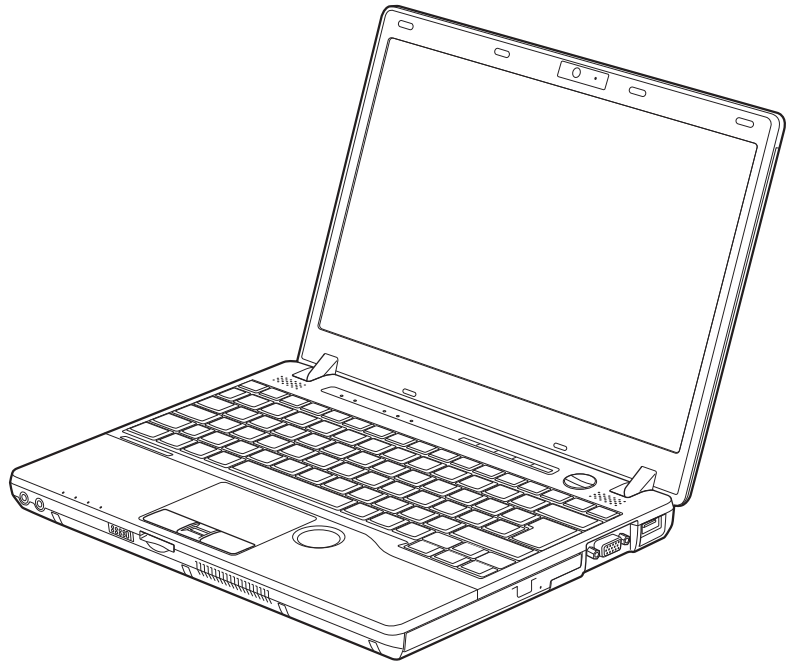
## Guide d'utilisation


Découvrez comment utiliser  
votre ordinateur portable  
Fujitsu LIFEBOOK P772

  
FUJITSU

# User's Guide

Learn how to use your  
Fujitsu LIFEBOOK P772  
notebook



  
FUJITSU



# Copyright and Trademark Information



Fujitsu America, Inc. has made every effort to ensure the accuracy and completeness of this document; however, as ongoing development efforts are continually improving the capabilities of our products, we cannot guarantee the accuracy of the contents of this document. We disclaim liability for errors, omissions, or future changes.

Fujitsu, the Fujitsu logo, and LIFEBOOK are registered trademarks of Fujitsu Limited.

Intel and Intel Core are trademarks or registered trademarks of Intel Corporation or its subsidiaries in the United States and other countries.

Microsoft and Windows are either registered trademarks or trademarks of Microsoft Corporation in the United States and/or other countries.

The ExpressCard word mark and logo are owned by the Personal Computer Memory Card International Association (PCMCIA) and any use of such marks by Fujitsu America, Incorporated is under license.

Google is a trademark or registered trademark of Google Incorporated.

Bluetooth is a trademark of Bluetooth SIG, Inc., USA.

OmniPass is a trademark of Softex, Inc.

Roxio is a trademark of Roxio, a division of Sonic Solutions.

PowerDirector, PowerDVD, YouCam, and MakeDisc are trademarks of CyberLink Corp.

Adobe, Acrobat, and Adobe Reader are either a registered trademarks or trademarks of Adobe Systems Incorporated in the United States and/or other countries.

Norton and Norton Internet Security are trademarks or registered trademarks of Symantec Corporation in the United States and other countries.



Manufactured under license from DTS Licensing Limited. DTS, the Symbol, and DTS and the Symbol together are registered trademarks, and DTS Boost is a trademark of DTS (BVI) Limited (in Hong Kong and China) and DTS, Inc. (outside of Hong Kong and China). © DTS, Inc. All Rights Reserved.

The DVD player found in some models of the LIFEBOOK notebook incorporates copyright protection technology that is protected by method claims of certain U.S. patents and other intellectual property rights owned by Macrovision Corporation and other rights users. Use of this copyright protection technology must be authorized by Macrovision Corporation, and is intended for home and other limited viewing uses only unless authorized by Macrovision Corporation. Reverse engineering or disassembly is prohibited.

All other trademarks mentioned herein are the property of their respective owners.



## WARNING

HANDLING THE CORD ON THIS PRODUCT WILL EXPOSE YOU TO LEAD, A CHEMICAL KNOWN TO THE STATE OF CALIFORNIA TO CAUSE BIRTH DEFECTS OR OTHER REPRODUCTIVE HARM.

WASH HANDS AFTER HANDLING.

© Copyright 2012 Fujitsu America, Inc. All rights reserved.

No part of this publication may be copied, reproduced, or translated, without prior written consent of Fujitsu. No part of this publication may be stored or transmitted in any electronic form without the written consent of Fujitsu.

B6FJ-8091-01ENZ0-00



## DECLARATION OF CONFORMITY

according to FCC Part 15

Responsible Party Name: Fujitsu America, Inc.  
Address: 1250 E. Arques Avenue  
Sunnyvale, CA 94085  
Telephone: (408) 746-6000  
Declares that product: Base Model Configuration: LIFEBOOK P772 notebook

Complies with Part 15 of the FCC Rules.

This device complies with Part 15 of the FCC rules. Operations are subject to the following two conditions:  
(1) This device may not cause harmful interference, (2) This device must accept any interference received, including interference that may cause undesired operation.

## IMPORTANT SAFETY INSTRUCTIONS

This unit requires an AC adapter to operate. Use only UL Listed I.T.E. Adapters with an output rating of 19 VDC, with a current of 3.42 A (65 W). The current rating is determined by the graphics card used in the system, and is indicated on the Fujitsu label on the bottom of the system.

**AC adapter output polarity:**



When using your notebook equipment, basic safety precautions should always be followed to reduce the risk of fire, electric shock and injury to persons, including the following:

- Do not use this product near water for example, near a bathtub, washbowl, kitchen sink or laundry tub, in a wet basement or near a swimming pool.
- Use only the power cord and batteries indicated in this manual. Do not dispose of batteries in a fire. They may explode. Check with local codes for possible special disposal instructions.

**SAVE THESE INSTRUCTIONS**

### For Authorized Repair Technicians Only



DANGER OF EXPLOSION IF LITHIUM (CLOCK) BATTERY IS INCORRECTLY REPLACED. REPLACE ONLY WITH THE SAME OR EQUIVALENT TYPE RECOMMENDED BY THE MANUFACTURER. DISPOSE OF USED BATTERIES ACCORDING TO THE MANUFACTURER'S INSTRUCTION.



FOR CONTINUED PROTECTION AGAINST RISK OF FIRE, REPLACE ONLY WITH THE SAME TYPE AND RATING FUSE.

## Recycling your battery

Over time, the batteries that run your mobile computer will begin to hold a charge for a shorter amount of time; this is a natural occurrence for all batteries. When this occurs, you may want to replace the battery with a fresh one\*. If you replace it, it is important that you dispose of the old battery properly because batteries contain materials that could cause environmental damage if disposed of improperly.



Fujitsu is very concerned with environmental protection, and has enlisted the services of the Rechargeable Battery Recycling Corporation (RBRC)\*\*, a non-profit public service organization dedicated to protecting our environment by recycling old batteries at no cost to you.

RBRC has drop-off points at tens of thousands of locations throughout the United States and Canada. To find the location nearest you, go to [www.RBRC.org](http://www.RBRC.org) or call 1-800-822-8837.

If there are no convenient RBRC locations near you, you can also go to the EIA Consumer Education Initiative website (<http://EIAE.org/>) and search for a convenient disposal location.

Remember – protecting the environment is a cooperative effort, and you should make every effort to protect it for current and future generations.

\* To order a new battery for your Fujitsu mobile computer, go to the Fujitsu shopping site at [www.shopfujitsu.com](http://www.shopfujitsu.com) in the US or [www.fujitsu.ca/products/notebooks](http://www.fujitsu.ca/products/notebooks) in Canada.

\*\* RBRC is an independent third party to which Fujitsu provides funding for battery recycling; RBRC is in no way affiliated with Fujitsu.



# Contents

---

<b>About This Guide</b> .....	<b>8</b>
Conventions Used in the Guide .....	8
Fujitsu Contact Information .....	9
<b>Chapter 1 Getting to Know Your LIFEBOOK</b>	
<b>Overview</b> .....	<b>11</b>
<b>Locating the Controls and Connectors</b> .....	<b>12</b>
Top Components .....	13
Left-Side Panel Components .....	15
Right-Side Panel Components .....	17
Bottom Components .....	18
<b>Status Indicator Panel</b> .....	<b>20</b>
Power Indicator .....	20
Battery Charging Indicator .....	21
Battery Level Indicators .....	21
Power Saving Utility Indicator .....	22
Hard Drive/Optical Drive Access Indicator .....	22
NumLk Indicator .....	22
<b>Keyboard</b> .....	<b>23</b>
Using the Keyboard .....	23

<b>Touchpad Pointing Device</b> .....	<b>26</b>
Using the Scroll Wheel .....	27
Clicking .....	27
Double-Clicking .....	28
Dragging .....	28
Scrolling .....	29
Using the Scroll Wheel .....	29
Navigating Using Gestures .....	29
Touchpad Control Adjustment .....	31
<b>Volume Control</b> .....	<b>32</b>
Controlling the Volume .....	32
<b>Flexible Bay Devices</b> .....	<b>33</b>
Removing and Installing Modular Devices .....	33
<b>LIFEBOOK Application Panel/Support Button</b> .....	<b>36</b>
Launching Applications with the LIFEBOOK Application Panel .....	37
Opening the Fujitsu Support Center with the Support Button .....	38

## **Chapter 2 Getting Started with Your LIFEBOOK**

<b>Power Sources</b> .....	<b>41</b>
Connecting the Power Adapters .....	41
<b>Display Panel</b> .....	<b>42</b>
Opening the Display Panel .....	42
Adjusting Display Panel Brightness .....	42
Using the Keyboard .....	43
Using the Power Options .....	43
Using the Windows Mobility Center .....	43
Using Power Management to Control Brightness .....	43
Closing the Display Panel .....	43
<b>Using Multiple Displays Simultaneously</b> .....	<b>44</b>



<b>Starting Your LIFEBOOK Notebook</b> .....	<b>45</b>
Power On .....	45
Boot Sequence .....	46
Hard Disk Drive Passwords .....	47
BIOS Setup Utility .....	47
Booting the System .....	48
Starting Windows the First Time .....	48
<b>Power Management</b> .....	<b>50</b>
Power/Suspend/Resume Button .....	50
Sleep Mode .....	50
Hibernate Feature .....	51
Windows Power Management .....	52
Restarting the System .....	52
Powering Off .....	52
ENERGY STAR® Compliance .....	53

### **Chapter 3 User-Installable Features**

<b>Lithium ion Battery</b> .....	<b>55</b>
Recharging the Batteries .....	56
Replacing the Battery .....	58
<b>Optical Drive</b> .....	<b>60</b>
Media Player Software .....	60
Loading Media on Your Drive .....	61
Removing Media .....	63
Emergency Optical Drive Tray Release	
Using the Media Player Software .....	63
Using Media Player on Battery Power .....	64
<b>Secure Digital Cards</b> .....	<b>66</b>
Installing SD Cards .....	67
Removing an SD Card .....	67

<b>ExpressCards®/Smart Cards</b> .....	<b>68</b>
ExpressCards .....	68
Installing ExpressCards .....	68
Removing ExpressCards .....	70
Smart Card Reader .....	70
<b>Memory Upgrade Module</b> .....	<b>71</b>
Installing Memory Upgrade Modules .....	71
Removing a Memory Upgrade Module .....	72
Checking the Memory Capacity .....	73
<b>Device Ports</b> .....	<b>74</b>
Internal LAN (RJ-45) Jack .....	74
DisplayPort / HDMI Port .....	75
Universal Serial Bus Ports .....	75
Anytime USB Charge Utility .....	76
Headphone Jack .....	76
Microphone Jack .....	77
External Video Port .....	78
Port Replicator Connector .....	78
<b>Port Replicator</b> .....	<b>79</b>
Port Replicator Components .....	79
Attaching Port Replicator .....	81
Detaching Port Replicator .....	81
<b>Chapter 4 Troubleshooting Your LIFEBOOK</b>	
<b>Troubleshooting</b> .....	<b>83</b>
Identifying the Problem .....	83
Specific Problems .....	85
Power On Self Test Messages .....	94

<b>Restoring Your System Image and Software</b> .....	<b>95</b>
Saving and Recovering Your Factory and System Images .....	95
Backing Up a System Image .....	97
Recovery and Utility tabs .....	101
Recovering your Factory Image .....	102
Downloading Driver Updates .....	103

## **Chapter 5 Care and Maintenance**

<b>Caring for your LIFEBOOK Notebook</b> .....	<b>104</b>
Cleaning your LIFEBOOK notebook .....	105
Cleaning the dust filter .....	106
Storing your LIFEBOOK notebook .....	108
Traveling with your LIFEBOOK notebook .....	108
Batteries .....	109
Media Care .....	110

## **Chapter 6 System Specifications**

<b>Specifications</b> .....	<b>112</b>
Configuration Label .....	112
Microprocessor .....	113
Chipset .....	113
Memory .....	113
Video .....	113
Audio .....	114
Mass Storage Device Options .....	114
Modular Bay Devices .....	114
Features .....	114
Device Ports .....	115
Keyboard .....	116
Power .....	117
Dimensions and Weight .....	117

Environmental Requirements.....	117
Popular Accessories.....	118
Pre-Installed Software.....	118
Learning About Your Software.....	119

## **Glossary/Regulatory**

<b>Glossary.....</b>	<b>122</b>
<b>Regulatory Information.....</b>	<b>134</b>

## **Appendix A: WLAN User's Guide**

<b>Before Using the Optional Wireless LAN.....</b>	<b>141</b>
Wireless LAN Devices Covered by this Document.....	141
Characteristics of the WLAN Device.....	141
Wireless LAN Modes Using this Device.....	142
Deactivating/Disconnecting the WLAN Device.....	144
Deactivation Using the Wireless Device On/Off Switch.....	145
Disconnection Using the Icon in the Taskbar.....	145
Activating the WLAN Device.....	145
<b>Configuring the Wireless LAN.....</b>	<b>146</b>
Configuring the WLAN Using Windows.....	146
Connection to the network.....	146
<b>Troubleshooting the WLAN.....</b>	<b>147</b>
Troubleshooting.....	147
<b>WLAN Specifications.....</b>	<b>149</b>
Specifications.....	149
<b>Using the Bluetooth Device.....</b>	<b>151</b>
What is Bluetooth?.....	151
Where to Find Information About Bluetooth.....	151

## Appendix B: Fingerprint Sensor Device

<b>Introducing the Optional Fingerprint Sensor Device</b> .....	<b>153</b>
Getting Started .....	154
Installing OmniPass .....	154
User Enrollment .....	157
Using OmniPass .....	160
Configuring OmniPass .....	164
OmniPass Control Center .....	166
Troubleshooting .....	168
<b>Index</b> .....	<b>170</b>



# Preface

---

## About This Guide

The LIFEBOOK P772 notebook from Fujitsu America provides desktop performance with the all new Intel® Core™ Processor. Your notebook has a built-in 12.1" anti-glare color display. This system brings the computing power of desktop personal computers (PCs) to a portable environment.

Your computer comes with Microsoft® Windows 7 Professional operating system pre-installed. This manual explains how to operate your LIFEBOOK notebook's hardware and built-in system software.

## Conventions Used in the Guide

Keyboard and on-screen keys appear in brackets. Example: [Fn], [F1], [ESC], [ENTER] and [CTRL].

Pages with additional information about a specific topic are cross-referenced within the text. For example: ("See Installation Procedure on page 43".)

On screen menu items appear in bold. Example: "Click **Fujitsu Menu**, and select your choice".

DOS commands you enter appear in Courier type. Example: "Shutdown the computer?"



THE INFORMATION ICON HIGHLIGHTS INFORMATION THAT WILL ENHANCE YOUR UNDERSTANDING OF THE SUBJECT MATERIAL.



THE CAUTION ICON HIGHLIGHTS INFORMATION THAT IS IMPORTANT TO THE SAFE OPERATION OF YOUR COMPUTER, OR TO THE INTEGRITY OF YOUR FILES. PLEASE READ ALL CAUTION INFORMATION CAREFULLY.



THE WARNING ICON HIGHLIGHTS INFORMATION THAT CAN BE HAZARDOUS TO EITHER YOU, YOUR LIFEBOOK NOTEBOOK, OR YOUR FILES. PLEASE READ ALL WARNING INFORMATION CAREFULLY.

## Fujitsu Contact Information

### Service and Support

You can contact Fujitsu Service and Support in the following ways:

- Toll free: 1-800-8FUJITSU (1-800-838-5487)
- Website:  
U.S.A. - [us.fujitsu.com/solutions](http://us.fujitsu.com/solutions)  
Canada - [www.fujitsu.ca](http://www.fujitsu.ca)

Before you place the call, you should have the following information ready so that the customer support representative can provide you with the fastest possible solution:

- Product name
- Product configuration number
- Product serial number
- Purchase date
- Conditions under which the problem occurred
- Any error messages that have occurred
- Type of device connected, if any

### Fujitsu Shopping Online

You can go directly to the online by going to the website at: [www.shopfujitsu.com](http://www.shopfujitsu.com).

## **Maintaining Latest Configuration**

To ensure that you always have the most current driver updates related to your system, you should occasionally access the Fujitsu Software Download Manager (FSDM) utility. The FSDM utility is available to allow you to download the latest drivers, utilities, and applications from the Fujitsu Support site. If you have a Windows 7 operating system, you will need to go to the Support Site (<http://support.fujitsupc.com/CS/Portal/support.do?srch=DOWNLOADS>).

## **Limited Warranty**

Your LIFEBOOK notebook is backed by a Fujitsu International Limited Warranty. Check the service kit that came with your notebook for the Limited Warranty period and terms and conditions.



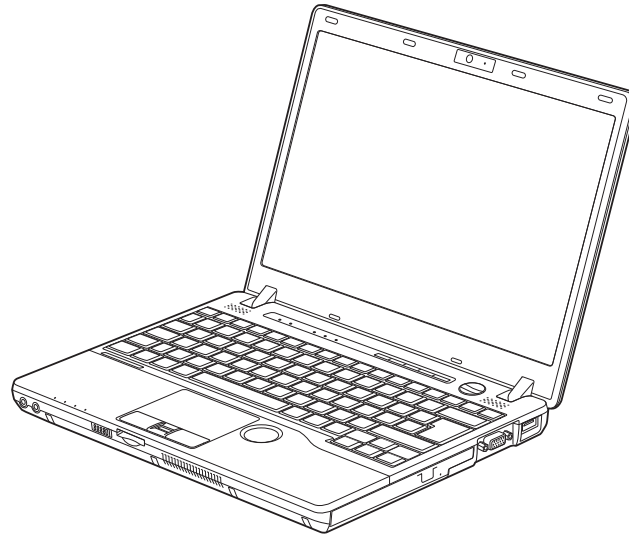
## Chapter 1

# Getting to Know Your LIFEBOOK

---

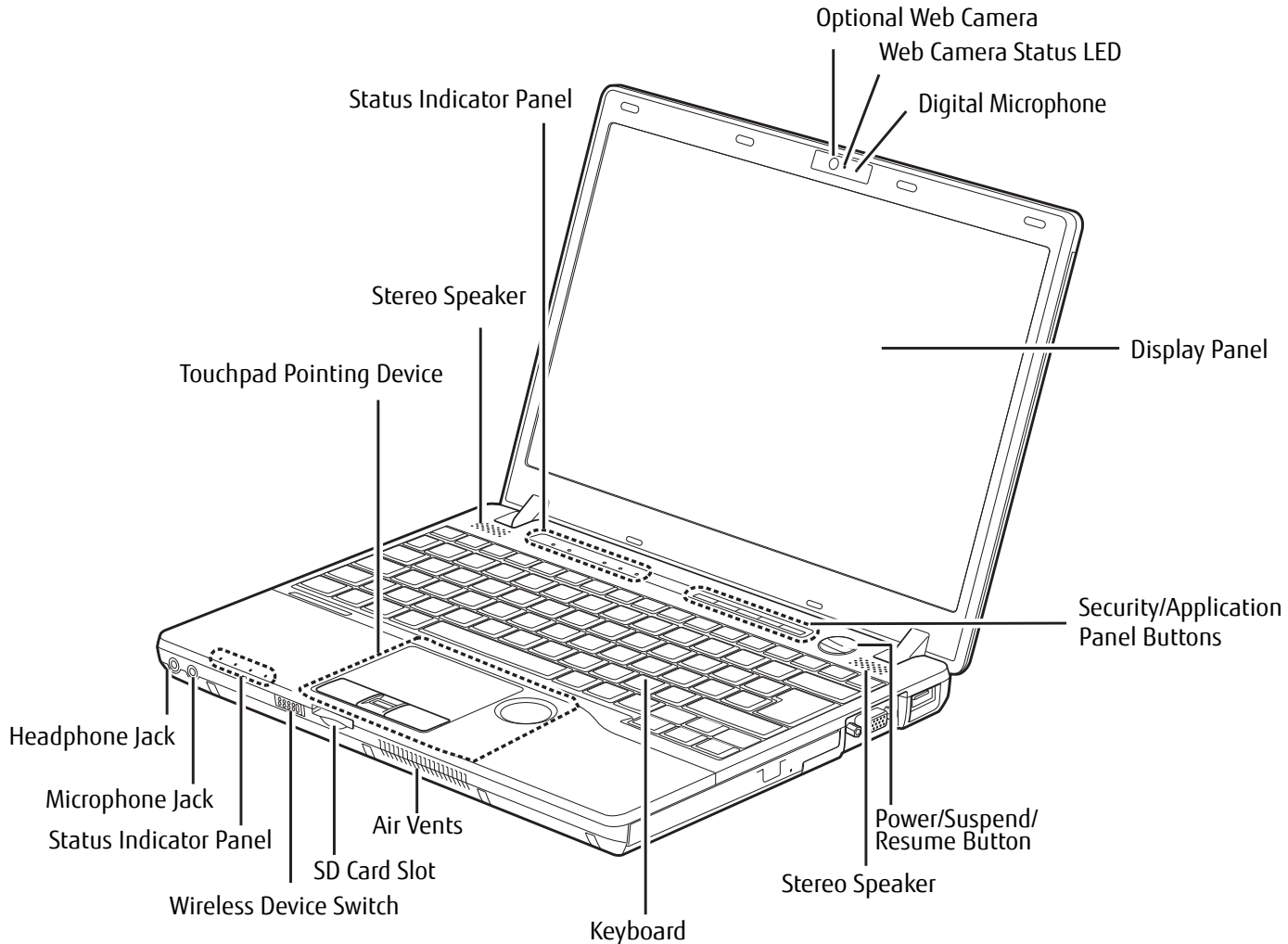
### Overview

This section describes the components of your Fujitsu LIFEBOOK P772 notebook. We strongly recommend that you read it before using your notebook – even if you are already familiar with notebook computers.



**Figure 1. Fujitsu LIFEBOOK P772 notebook**

# Locating the Controls and Connectors



**Figure 2. LIFEBOOK notebook with display open**

## **Top Components**

The following is a brief description of your LIFEBOOK notebook's top components.

### **Digital Microphone**

The digital microphone is used in conjunction with the optional web camera. For information on using the microphone and web cam, see the documentation associated with the CyberLink YouCam application.

### **Web Camera**

The optional FHD web camera has a resolution of 1920 x 1080 pixels. For instructions on using the camera, see the help files that are included with the YouCam software application.

### **Web Camera Status LED**

The web camera status LED glows when the camera is on.

### **Display Panel**

The display panel is a color LCD panel with back lighting for the display of text and graphics.

### **Status Indicator Panels**

The Status Indicator Panel display symbols that correspond with a specific component of your LIFEBOOK notebook. See "Status Indicator Panel" on page 20.

### **LIFEBOOK Security/Application Panel**

The LIFEBOOK Security/Application Panel provides hardware security and one-touch application launch capability. See "LIFEBOOK Application Panel/Support Button" on page 36.

### **Power/Suspend/Resume Button**

The Power/Suspend/Resume button allows you to suspend notebook activity without powering off, resume your LIFEBOOK notebook from suspend mode, and power on your notebook when it has been shut down from Windows. See "Power/Suspend/Resume Button" on page 50.

### **Stereo Speakers**

The built-in dual speakers allow for stereo sound.

## Keyboard

A full-size keyboard with dedicated Windows keys. See “Keyboard” on page 23.

## Air Vents

The air vents allow air to circulate through the system to cool down the components.



TO PROTECT YOUR NOTEBOOK FROM DAMAGE AND TO OPTIMIZE PERFORMANCE, BE SURE TO **KEEP ALL AIR VENTS UNOBSTRUCTED, CLEAN, AND CLEAR OF DEBRIS**. THIS MAY REQUIRE PERIODIC CLEANING, DEPENDING UPON THE ENVIRONMENT IN WHICH THE SYSTEM IS USED.

DO NOT OPERATE THE NOTEBOOK IN AREAS WHERE THE AIR VENTS CAN BE OBSTRUCTED, SUCH AS IN TIGHT ENCLOSURES OR ON SOFT SURFACES LIKE A BED OR CUSHION.

## SD Card Slot

The SD card slot allows you to install a Secure Digital (SD) card for data storage. This architecture allows you to transfer data from a variety of different digital devices. See “Installing SD Cards” on page 67.

## Wireless Device On/Off Switch

The wireless device on/off switch is used to turn on and off the optional WLAN and Bluetooth devices. Switching the device off when not in use will help to extend battery life. See “Activating the WLAN Device” on page 145.

## Microphone Jack

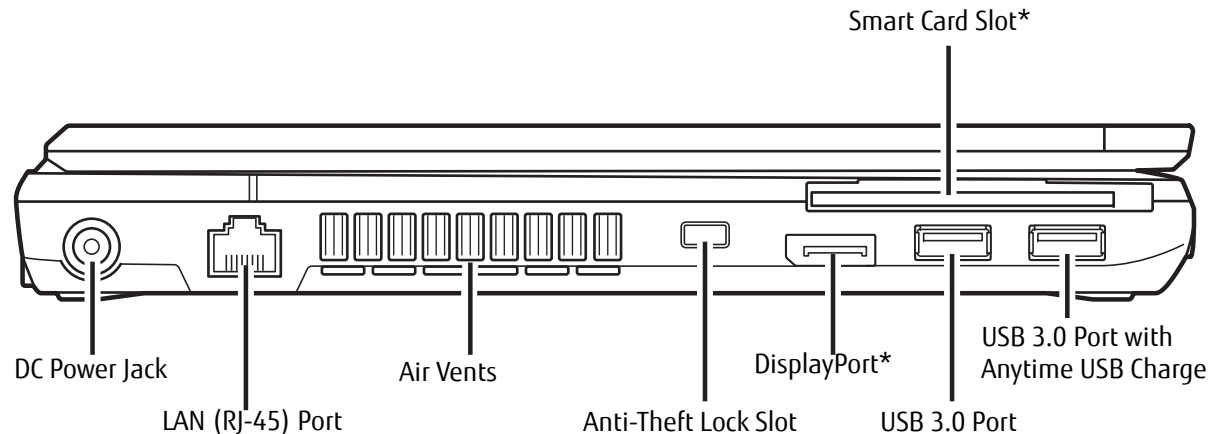
The microphone jack allows you to connect an external mono microphone. See “Microphone Jack” on page 77.

## Headphone Jack

The headphone jack allows you to connect headphones. See “Headphone Jack” on page 76.

## Touchpad Pointing Device

The Touchpad pointing device is a mouse-like cursor control with two buttons (left and right). To the right of the touch pad is a scroll wheel. See “Touchpad Pointing Device” on page 26. Between the two buttons is a fingerprint sensor device for logging on to your system without a password. See “Appendix B: Fingerprint Sensor Device” on page 153.



\* On some configurations, the Smart Card slot is replaced with an ExpressCard slot, and the DisplayPort is replaced with an HDMI port.

**Figure 3. LIFEBOOK notebook left-side panel**

## Left-Side Panel Components

The following is a brief description of your LIFEBOOK notebook's left-side components.

### Smart Card Slot

A dedicated Smart Card slot is provided on your notebook. Smart Cards are the same size and shape as credit cards, but they contain an integrated microprocessor chip. See "Smart Card Reader" on page 70. In order to use the embedded Smart Card Reader, you must purchase third-party software for installation. Note that on certain configurations of this model, the Smart Card slot is replaced with an ExpressCard slot.

### USB 3.0 Ports

The USB 3.0 ports allow you to connect Universal Serial Bus devices. USB 3.0 transfers data at up to 5 Gbps and is backward-compatible with USB 2.0 devices, which transfer data at up to 480 Mbps. See "Universal Serial Bus Ports" on page 75. Note that the USB 3.0 port closest to the front of the system also offers Anytime USB Charge feature. Anytime USB Charge ports allow you to charge an external device even when the system is shut down.

## DisplayPort Jack

This allows you to attach a DisplayPort cable. DisplayPort cables are primarily used to connect a computer with a monitor or home theater system. See “DisplayPort / HDMI Port” on page 75. Note that on certain configurations of this model, the DisplayPort jack is replaced with an HDMI jack.

## Anti-theft Lock Slot

The anti-theft lock slot allows you to attach an optional physical lock down device.

## Air Vents

The air vents allow air to circulate through the system to cool down the components.



TO PROTECT YOUR NOTEBOOK FROM DAMAGE AND TO OPTIMIZE PERFORMANCE, BE SURE TO **KEEP ALL AIR VENTS UNOBSTRUCTED, CLEAN, AND CLEAR OF DEBRIS**. THIS MAY REQUIRE PERIODIC CLEANING, DEPENDING UPON THE ENVIRONMENT IN WHICH THE SYSTEM IS USED.

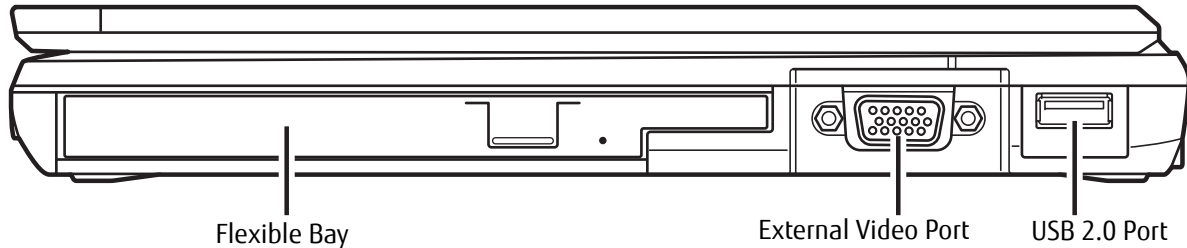
DO NOT OPERATE THE NOTEBOOK IN AREAS WHERE THE AIR VENTS CAN BE OBSTRUCTED, SUCH AS IN TIGHT ENCLOSURES OR ON SOFT SURFACES LIKE A BED OR CUSHION.

## Gigabit LAN (RJ-45) Jack

The internal LAN (RJ-45) jack is used for an internal Gigabit (10Base-T/100Base-Tx/1000Base-T) Ethernet LAN connection. See “Internal LAN (RJ-45) Jack” on page 74.

## DC Power Jack

The DC power jack allows you to plug in the AC adapter to power your LIFEBOOK notebook and charge the internal Lithium ion battery.



**Figure 4. LIFEBOOK notebook right-side panel**

## **Right-Side Panel Components**

The following is a brief description of your LIFEBOOK notebook's right-side components.

### **Flexible Bay**

The Flexible Bay can accommodate one of the following devices. See "Flexible Bay Devices" on page 33.

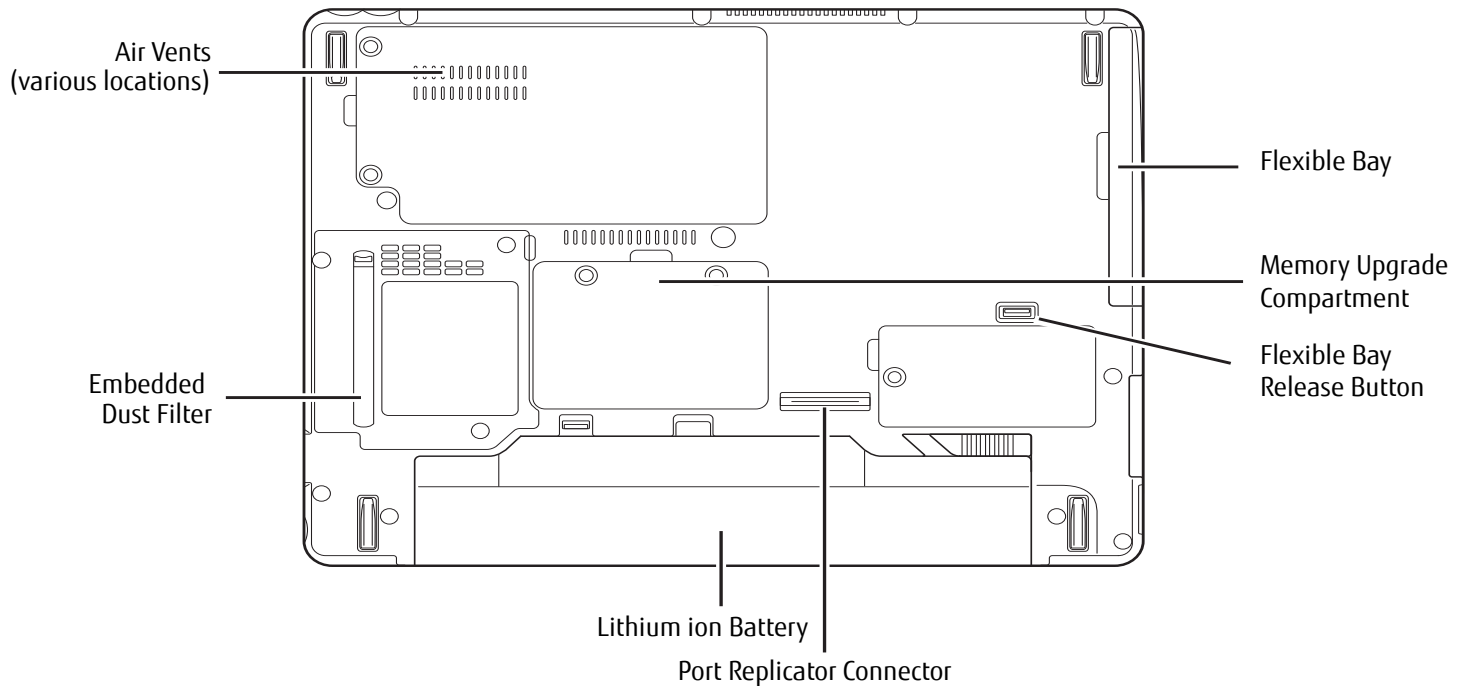
- Modular Dual-Layer Multi-Format DVD Writer
- Blu-ray™ XL Drive
- Modular Bay Projector
- Modular Lithium ion battery
- Weight Saver

### **External Video Port**

The external monitor port allows you to connect an external monitor or LCD projector. See "External Video Port" on page 78.

### **USB 2.0 Port**

USB 2.0 port allows you to connect Universal Serial Bus devices. USB 2.0 transfers data at up to 480 Mbps and is backward-compatible with USB 1.1 devices. See "Universal Serial Bus Ports" on page 75.



**Figure 5. LIFEBOOK notebook bottom panel**

## **Bottom Components**

The following is a brief description of your LIFEBOOK notebook's bottom panel components.

### **Flexible Bay**

The flexible bay holds one of the modular flexible bay devices. See "Flexible Bay Devices" on page 33.

### **Flexible Bay Release Button**

The flexible bay release button is used to lock and release a modular flexible bay device in the flexible bay. See "Flexible Bay Devices" on page 33.



## Memory Upgrade Compartment

Your notebook comes with high speed Double Data Rate 3 Synchronous Dynamic RAM (DDR3 SDRAM). The memory upgrade compartment allows you to expand the system memory capacity of your notebook, thus improving overall performance. See “Memory Upgrade Module” on page 71. Under normal circumstances, it should not be necessary to open this compartment.

## Port Replicator Connector

This connector allows you to connect the optional port replicator.

## Lithium ion Battery

The battery compartment contains the Lithium ion battery. The battery should be removed when the computer is stored over a long period of time or for swapping a discharged battery with a charged Lithium ion battery. See “Lithium ion Battery” on page 55.

## Embedded Dust Filter

The embedded dust filter is used to help prevent dust and dirt from entering your system. See “Cleaning the dust filter” on page 106.

## Air Vents

The air vents allow air to circulate through the system to cool down the components.



TO PROTECT YOUR NOTEBOOK FROM DAMAGE AND TO OPTIMIZE SYSTEM PERFORMANCE, BE SURE TO **KEEP ALL AIR VENTS UNOBSTRUCTED, CLEAN, AND CLEAR OF DEBRIS**. THIS MAY REQUIRE PERIODIC CLEANING, DEPENDING UPON THE ENVIRONMENT IN WHICH THE SYSTEM IS USED.

DO NOT OPERATE THE NOTEBOOK IN AREAS WHERE THE AIR VENTS CAN BE OBSTRUCTED, SUCH AS IN TIGHT ENCLOSURES OR ON SOFT SURFACES LIKE A BED OR CUSHION.

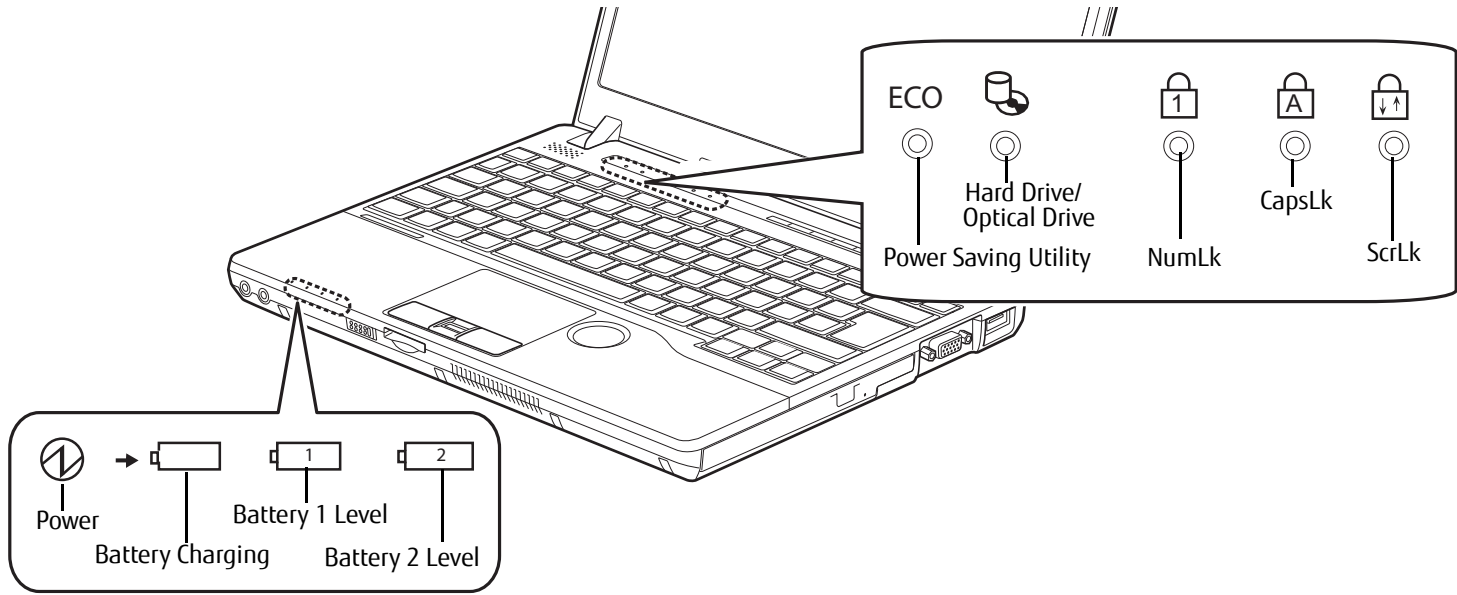


Figure 6. Status Indicator Panel

## Status Indicator Panel

The Status Indicators display symbols that correspond to specific components of your Fujitsu LIFEBOOK notebook. The LEDs adjacent to each symbol tell you how each of those components is operating.

### Power Indicator

The Power indicator symbol shows whether your system is operational. It has several different states, each of which tells you the mode your notebook is in.

- **Steady On:** This means that there is power to your notebook and that it is ready for use.
- **Flashing:** This means that your notebook is in Standby mode.
- **Steady Off:** This means that your system is either in Save-to-Disk mode, or that it has been turned off.

## → **Battery Charging Indicator**

The battery charging indicator shows the charging status of the battery(s).

- **Orange, solid:** System battery is charging.
- **Green, solid:** System battery is fully charged.
- **Orange, blinking:** System is waiting to charge battery (battery is out of thermal range).
- **Off:** AC adapter is not plugged in.

## **Battery Level Indicators**

Note that there are indicators for the primary battery (Battery 1) and an optional second battery (Battery 2.)

The Battery Level indicators display the charge level of the indicated battery pack, as follows:

- **Green, solid:** Battery is between 50% and 100% charged.
- **Orange, solid:** Battery is between 13% and 49% charged.
- **Red, solid:** Battery is 12% or less charged.
- **Orange, blinking:** Blinks during battery status measurement (Four seconds after the battery is installed).
- **Red, blinking:** There is a problem with the battery.
- **Off:** There is no battery installed.



- Batteries subjected to shocks, vibration or extreme temperatures can be permanently damaged.
- A shorted battery is damaged and must be replaced.



- If the battery pack is installed while the power is turned off, the battery level indicator will display the charge level for five seconds after it blinks orange.
- If the AC adapter is not connected or the battery pack is not fully charged when the computer is switched to standby mode, the indicator will blink. The LED blinks at the rate of one second on/six seconds off.

## **ECO Power Saving Utility Indicator**

The Power Saving Utility indicator glows when the power saving utility is running. The power saving utility is a special power-saving mode that is initiated with the ECO button on the application panel.



## **Hard Drive/Optical Drive Access Indicator**

The Hard Drive/Optical Drive Access indicator glows green when your internal hard drive is being accessed. Note that flickering is normal.



## **NumLk Indicator**

The NumLk indicator shows that the integral keyboard is set in ten-key numeric keypad mode.



## **CapsLock Indicator**

The CapsLock indicator shows that your keyboard is set to type in all capital letters.



## **ScrLk Indicator**

The ScrLk indicator shows that your scroll lock is active.

# Keyboard

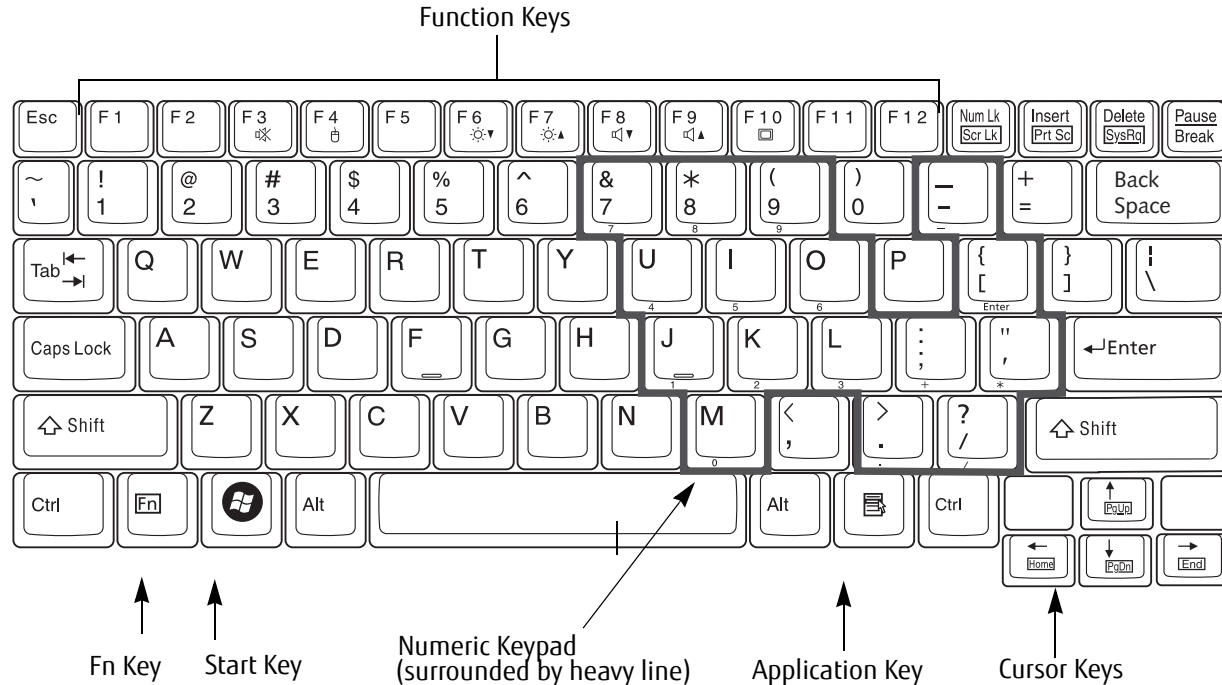


Figure 7. Keyboard

## Using the Keyboard

Your Fujitsu LIFEBOOK notebook has an integral 84-key keyboard. The keys perform all the standard functions of a 101-key keyboard, including the Windows keys and other special function keys. This section describes the following keys.

- **Numeric keypad:** Your notebook allows certain keys to serve dual purposes, both as standard characters and as numeric and mathematical keys. The ability to toggle between the standard character and numerical keys is controlled through the [NumLk] key.

- **Cursor keys:** Your keyboard contains four arrow keys for moving the cursor or insertion point to the right, left, up, or down within windows, applications and documents.
- **Function keys:** The keys labeled [F1] through [F12], are used in conjunction with the [Fn] key to produce special actions that vary depending on what program is running.
- **Windows keys:** These keys work with your Windows operating system and function the same as the onscreen Start menu button, or the right button on your pointing device.

## Numeric Keypad

Certain keys on the keyboard perform dual functions as both standard character keys and numeric keypad keys. NumLk can be activated by pressing the [NumLk] keys. Turning off the NumLk feature is done the same way. Once this feature is activated you can enter numerals 0 through 9, perform addition ( + ), subtraction ( - ), multiplication ( \* ), or division ( / ), and enter decimal points ( . ) using the keys designated as ten-key function keys. The keys in the numeric keypad are marked on the front edge of the key to indicate their secondary functions.

## Windows Keys

Your LIFEBOOK notebook has two Windows keys, consisting of a Start key and an Application key. The Start key displays the Start menu. This button functions the same as your onscreen Start menu button. The Application key functions the same as your right mouse button and displays shortcut menus for the selected item. (Please refer to your Windows documentation for additional information regarding the Windows keys.)

## Cursor Keys

The cursor keys are the four arrow keys on the keyboard which allow you to move the cursor up, down, left and right in applications. In programs such as Windows Explorer, it moves the "focus" (selects the next item up, down, left, or right).

## Function Keys

Your LIFEBOOK notebook has 12 function keys, F1 through F12. The functions assigned to these keys differ for each application. You should refer to your software documentation to find out how these keys are used.

- The [Fn] key provides extended functions for the notebook and is always used in conjunction with another key.
- [Fn+F3]: Pressing [F3] while holding [Fn] will toggle the Audio Mute on and off.
- [Fn+F4]: Pressing [F4] while holding [Fn] will toggle the Quick Point feature and the touchpad on and off. Note that the [Fn+F4] combination only works if Manual Setting is selected in the BIOS. (See "BIOS Setup Utility" on page 47)
- [Fn+F6]: Pressing [F6] repeatedly while holding [Fn] will lower the brightness of your display.
- [Fn+F7]: Pressing [F7] repeatedly while holding [Fn] will increase the brightness of the display.
- [Fn+F8]: Pressing [F8] repeatedly while holding [Fn] will decrease the volume of your LIFEBOOK notebook.
- [Fn+F9]: Pressing [F9] repeatedly while holding [Fn] will increase the volume of your LIFEBOOK notebook.
- [Fn+F10]: Pressing [F10] while holding [Fn] allows you to change your selection of where to send your display video. Each time you press the combination of keys you will step to the next choice. The following includes ports on the system as well as the optional port replicator.

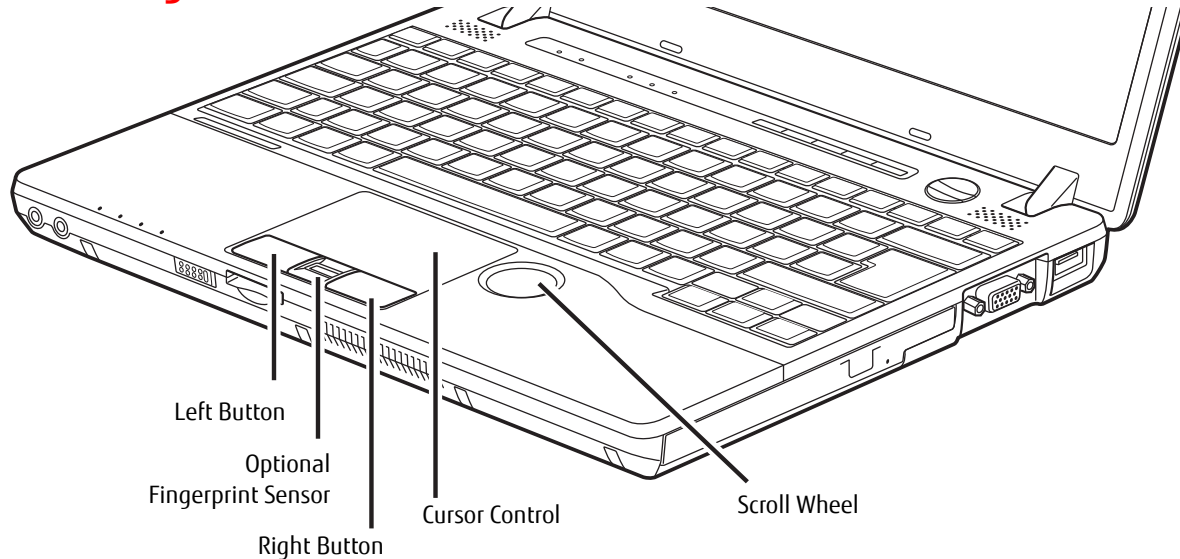
**Note:** DisplayPort and DVI are mutually exclusive. DisplayPort has priority over DVI. If you have monitors connected to DisplayPort and DVI at same time, Fn+F10 will not enable DVI monitor.

If you have external display connected to all ports (on system and port replicator), the following will happen upon pressing [Fn]+[F10]: LCD -> VGA -> LCD+VGA (dual clone) -> DisplayPort (or DVI) -> LCD+DisplayPort (or DVI) (dual clone) -> HDMI -> LCD+HDMI (dual clone) -> Repeat the loop ->

If you only have an external CRT connected, the order is internal -> external CRT -> simultaneous display > internal display.

If you only have an HDMI device connected, the order is: internal display -> HDMI display -> simultaneous display -> internal display.

## Touchpad Pointing Device



**Figure 8. Touchpad pointing device**

The Touchpad pointing device comes built into your Fujitsu LIFEBOOK notebook. It is used to control the movement of the pointer to select items on your display panel. The Touchpad is composed of a cursor control, left and right buttons, and an optional fingerprint recognition sensor.

The cursor control works the same way a mouse does, and moves the cursor around the display. It only requires light pressure with the tip of your finger. The left and right buttons function the same as mouse buttons. The actual functionality of the buttons may vary depending on the application that is being used. The scrolling button allows you to navigate quickly through pages, without having to use the scroll bars.



## Using the Scroll Wheel

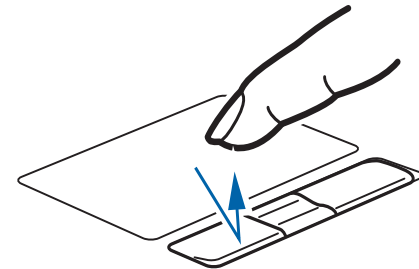
To the right of the touchpad is a circular dimple, approximately an inch in diameter. This is known as the “scroll wheel” and is used for scrolling up and down pages and zooming in and out on photos. Note that the scroll wheel does not actually move; moving your finger on the “wheel” causes the scrolling action.



- THE SCROLLING BUTTON MAY BE REPLACED BY AN OPTIONAL FINGERPRINT SENSOR. FOR INFORMATION ON USING THE OPTIONAL FINGERPRINT SENSOR, REFER TO “APPENDIX B: FINGERPRINT SENSOR DEVICE” ON PAGE 153.
- AN EXTERNAL MOUSE CAN BE CONNECTED TO THE USB PORTS ON YOUR LIFEBOOK NOTEBOOK OR THE OPTIONAL PORT REPLICATOR, AND USED SIMULTANEOUSLY WITH THE TOUCHPAD. HOWEVER, IF YOU BOOT THE SYSTEM WITH AN EXTERNAL MOUSE CONNECTED THE TOUCHPAD WILL BE DISABLED OR ENABLED DEPENDING ON THE SPECIFICATIONS IN YOUR BIOS SETTINGS. SEE “BIOS SETUP UTILITY” ON PAGE 47.

## Clicking

Clicking means pushing and releasing a button. To left-click, move the cursor to the item you wish to select, press the left button once, and then immediately release it. To right-click, move the mouse cursor to the item you wish to select, press the right button once, and then immediately release it. You also have the option to perform the clicking operation by tapping lightly on the Touchpad once.



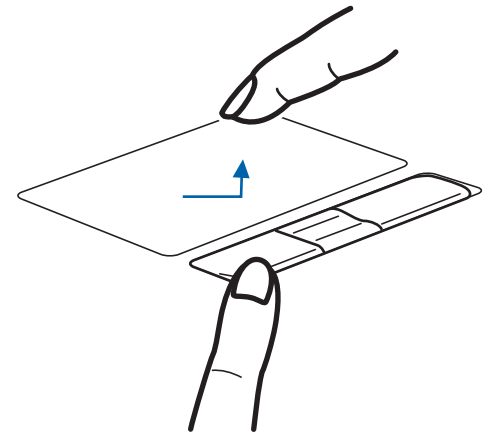
## Double-Clicking

Double-clicking means pushing and releasing the left button twice in rapid succession. This procedure does not function with the right button. To double-click, move the cursor to the item you wish to select, press the left button twice, and immediately release it. You can also perform the double-click operation by tapping lightly on the Touchpad twice.



## Dragging

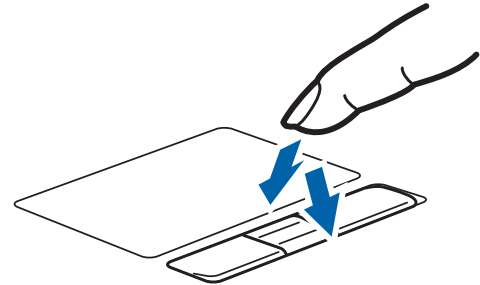
Dragging means pressing and holding the left button, while moving the cursor. To drag, move the cursor to the item you wish to move. Press and hold the left button while moving the item to its new location and then release it. Dragging can also be done using the Touchpad. First, tap the Touchpad twice over the item you wish to move making sure to leave your finger on the pad after the final tap. Next, move the object to its new location by moving your finger across the Touchpad, and then release your finger.



## Scrolling

Using the Scrolling button allows you to navigate through a document quickly without using the window's scroll bars. This is particularly useful when you are navigating through on-line pages. To use the Scrolling button, press the crescent shape at the top or bottom of the button to scroll up or down a page. When you have reached the desired section of the page, release the button.

If your system has the optional fingerprint sensor in place of the scrolling button, it can be used for scrolling by moving your finger up and down over its surface. See "Appendix B: Fingerprint Sensor Device" on page 153.



## Using the Scroll Wheel

The scroll wheel is located to the right of the touchpad (*Figure 8*). The wheel doesn't actually turn, but you can easily move your finger around it in a circular motion to scroll through pages and lists, the same way you would with a scroll bar. The scroll wheel can also be used to zoom in and out on pictures. To do so, position the cursor on a picture and move your finger horizontally across the scroll wheel to enlarge and reduce the size of the picture.

## Navigating Using Gestures

The touchpad allows you to use gestures to zoom in or out on a page or scroll quickly through large documents.

### Zooming In:

To zoom in on a page using the touchpad, simply place two fingers together on the touchpad and move them away from each other. (See Figure 9)

### Zooming Out:

To zoom out on a page using the touchpad, place two fingers on the touchpad and move them towards each other. (See Figure 10)

## **Continuous Scroll:**

To scroll through a large document using gestures, hold your finger on the right side touchpad for a couple of seconds until a circular icon appears, then move your finger in a clockwise circular motion to scroll down, or counter-clockwise to scroll up. To scroll side to side, hold your finger on the bottom edge of the touchpad for a couple of seconds until a circular icon appears, then move your finger clockwise to scroll right, and counter-clockwise to scroll left. (Fig. 11)

## **Momentum:**

To increase the cursor movement speed, slide your finger quickly across the touchpad. (See Figure )

## **Flick Navigation:**

On the touchpad, flicking two fingers to the right or left has the same effect as pressing the [Forward] or [Back] buttons on applications such as Internet Explorer.

## **Pivot Rotation:**

After placing one finger on the touchpad, you can rotate files (such as PDFs) or images by circling a second finger on the touchpad.

## **Enabling/Disabling Gesture Functions:**

- 1** To enable or disable the gesturing functions, go to Start > **Control Panel** > **Hardware and Sound**.
- 2** Double-click **Mouse**, and the Mouse Properties window will appear.
- 3** Select the **Device Settings** tab and click the [Settings...] button.
- 4** To enable/disable continuous scrolling: Select **Virtual Scrolling** from the left pane, check **Enable Vertical Scrolling** and/or **Enable Horizontal Scrolling**, and then check Chiral Motion.
- 5** To enable/disable the zoom function, select **Pointer Motion** in the left pane, then check Pinch.
- 6** To enable or disable the momentum feature, select **Pointer Motion** in the left pane, then select **Momentum** and check **Enable Momentum**.

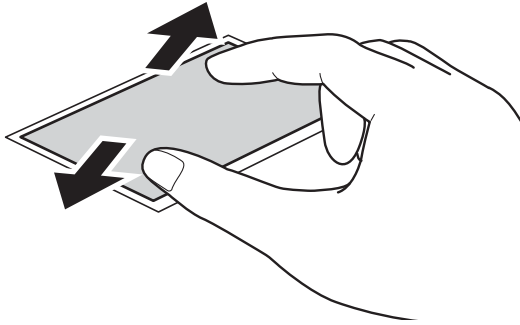


Figure 9. Zooming in with Touchpad

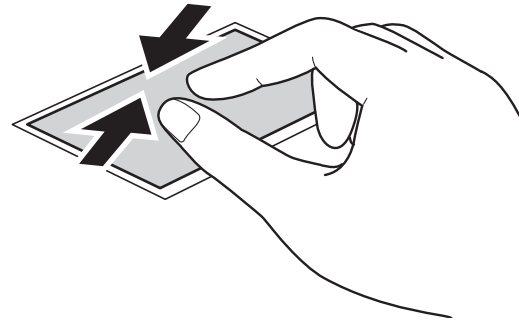


Figure 10. Zooming out with Touchpad

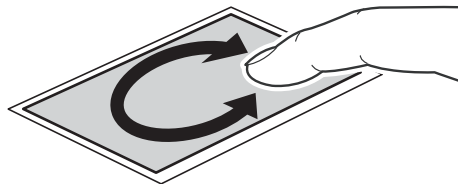


Figure 11. Continuous scrolling

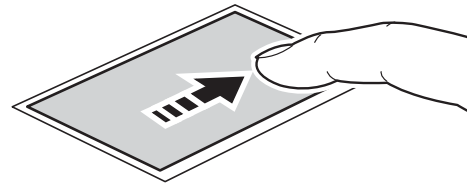


Figure 12. Speeding up cursor movement

## Touchpad Control Adjustment

The Control Panel allows you to customize your Touchpad with selections made from within the Mouse Properties dialog box. To change the settings or actions for the touchpad:

**1** Go to Start > **Control Panel** > **Hardware and Sound**.

Double-click Mouse, and the Mouse Properties window will appear. Select any of the ten tabs to modify the settings of your touchpad.

## Volume Control

Your Fujitsu LIFEBOOK notebook has multiple volume controls which interact with each other.



ANY SOFTWARE THAT CONTAINS AUDIO FILES WILL ALSO CONTAIN A VOLUME CONTROL OF ITS OWN. IF YOU INSTALL AN EXTERNAL AUDIO DEVICE THAT HAS AN INDEPENDENT VOLUME CONTROL, THE HARDWARE VOLUME CONTROL AND THE SOFTWARE VOLUME CONTROL WILL INTERACT WITH EACH OTHER. IT SHOULD BE NOTED THAT IF YOU SET YOUR SOFTWARE VOLUME TO OFF, YOU WILL OVERRIDE THE EXTERNAL VOLUME CONTROL SETTING.

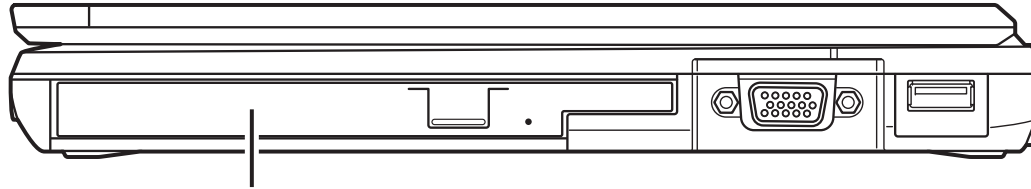
### Controlling the Volume

The volume can be controlled in several different ways:

- Volume can be changed or muted from within the Volume Control in the system tray.
- Volume can be controlled with the F8 and F9 functions keys. Pressing [F8] repeatedly while holding [Fn] will decrease the volume of your notebook. Pressing [F9] repeatedly while holding [Fn] will increase the volume of your notebook.
- Volume can be muted by pressing the [F3] key while holding down the [Fn] key. To restore audio, repeat the [Fn+F3] procedure.
- Volume can be controlled by many volume controls that are set within individual applications.
- Certain external audio devices you might connect to your system may have hardware volume controls.

Each source discussed above puts an upper limit on the volume level that must then be followed by the other sources.

We recommend that you experiment with the various volume controls to discover the optimal sound level.



Flexible Bay (installed optical drive shown)

**Figure 13. Flexible Bay**

## Flexible Bay Devices

Your Fujitsu LIFEBOOK notebook contains a Flexible Bay. The Flexible Bay can house a variety of different devices. Your Flexible Bay will have one of the following devices installed.

- **Modular Dual-Layer Multi-Format DVD Writer:** This allows you to access movies, software, and audio DVD/CDs and record to DVD, CD, and DVD-RAM discs
- **Modular Blu-ray® RW drive:** This allows you to access movies, software, and audio DVD/CDs and Blu-ray discs as well as to write to Blu-ray discs
- **Modular bay projector**
- **Modular Lithium ion battery:** This is a rechargeable battery that can be used to power your LIFEBOOK notebook when an adapter is not connected.
- **Weight Saver:** This is used to fill the bay when no device is needed.

## Removing and Installing Modular Devices

There are two ways to remove and install modular devices in the Flexible Bay:

- **Cold-swapping:** swapping devices while your LIFEBOOK notebook is powered off.
- **Hot-swapping:** swapping devices while your system is active using the Safely Remove Hardware icon from your system tray.

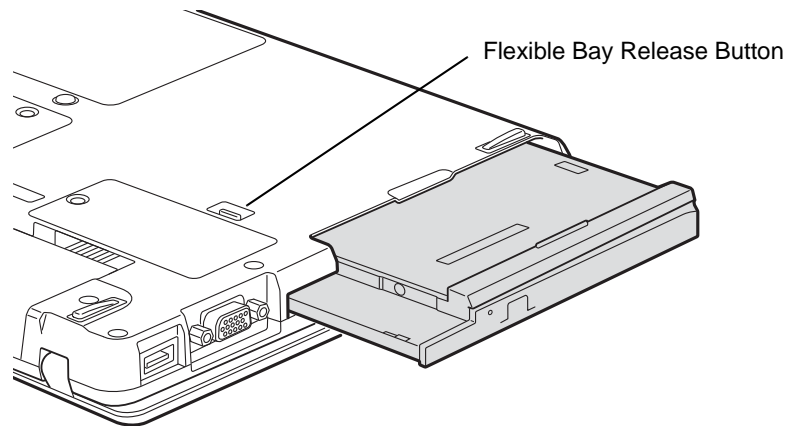


YOU SHOULD NEVER LEAVE YOUR FLEXIBLE BAY EMPTY WHEN THE NOTEBOOK IS IN OPERATION. IF LEFT EMPTY, DUST OR FOREIGN MATTER MAY ACCUMULATE INSIDE THE NOTEBOOK.

## Cold-swapping

To cold-swap modular devices in your Flexible Bay follow these easy steps:

- 1 Close any open files.
- 2 Shut down your LIFEBOOK notebook.
- 3 Turn your system upside down.



**Figure 14. Removing/installing a device in the Flexible Bay**

- 4 As you press the Flexible Bay release button shown in Figure 14, pull out the Flexible Bay module until it is clear of the bay. This will require light force.
- 5 Slide the device you are installing into your notebook until it clicks into place.



**6** It is now safe to turn your notebook back on.

Your notebook will automatically detect the new device and activate it within your system. The drive letters associated with the device will be created and listed under My Computer and Windows Explorer.

### **Hot-swapping**

Hot-swapping is provided through the Safely Remove Hardware utility. The icon for the utility appears in the system tray. Click on the icon and follow the on-screen instructions.

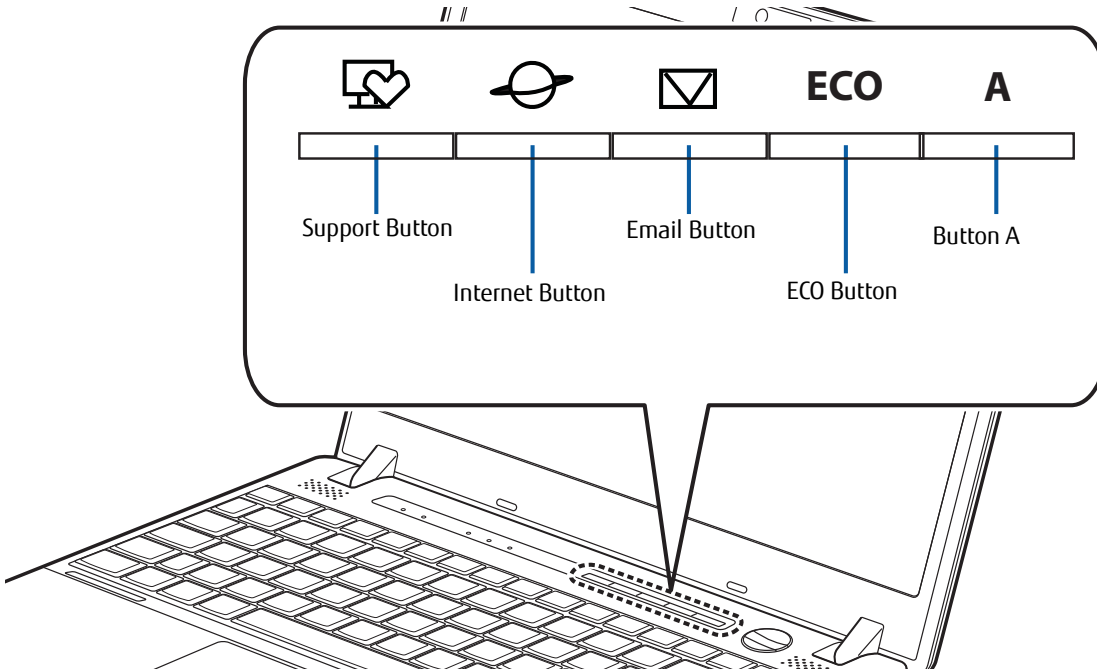


Figure 15. LIFEBOOK Application Panel

## LIFEBOOK Application Panel/Support Button

The Application Panel consists of buttons that allow you to launch user-defined applications with the touch of a button when your system is on. Also included in the panel is a Support button that allows you to either launch the Fujitsu Support Center utility or to launch a user-defined application.

The default settings for the buttons are as follows:

- **Support Button** - Starts the Fujitsu Support Center (*See "Opening the Fujitsu Support Center with the Support Button" on page 38*)
- **Internet Button** - Automatically launches Internet Explorer.

- **Email Button** - Automatically launches Microsoft Outlook Express, from which you can read, create, and send email. Note that when the notebook is turned off, pressing this button allows you to see the current battery status on the battery level and battery charging indicators.
- **ECO Button** - Automatically starts the Power Saving Utility
- **Application Button A** - Launches whatever application is mapped to the button.

## Launching Applications with the LIFEBOOK Application Panel

Your notebook is pre-installed with software utilities that let you operate and configure your LIFEBOOK Application Panel. These utilities are found in the **Start** menu, under **Control Panel** (select one of the icon views) > **Application Panel** (or “**Button**” in some configurations). The utility includes an **Application Panel Setup** tab.

### Configuring your LIFEBOOK Application Panel

When you start Windows, the LIFEBOOK Application Panel is automatically activated. As an application launcher, the LIFEBOOK Application Panel is very flexible, giving you a variety of options. To set up the Panel to best suit your needs, we have provided the Application Panel Setup utility that quickly and easily helps you make the most of this valuable feature.

#### To configure your LIFEBOOK Application Panel with Application Panel Setup:

- 1 Click on [Start].
- 2 Click on **Programs**, then click on **LIFEBOOK Application Panel**.
- 3 Click on **Application Panel Setup**. The Application Panel Setup utility will appear. There are tabs that correspond to the application buttons on the LIFEBOOK Application Panel. When you receive your notebook, these buttons are pre-configured to launch specific programs, as referenced above.



THE TABS IN APPLICATION PANEL SETUP MAY NOT BE IN THE SAME ORDER AS THE BUTTONS ON YOUR LIFEBOOK NOTEBOOK, PLEASE SELECT THE TAB YOU WISH TO CHANGE CAREFULLY.

To change an application associated with the Application buttons, click on the tab for the button you would like to reconfigure. Click [Browse] from **Start** menu, scroll down the list of applications and click on the one you wish to launch with this button, then click [OK]. The button will now launch the new application.

The **Internet** tab is different. It comes set to launch your Windows default Internet browser (Internet Explorer), unless you have changed this in Windows. In order to reconfigure it to launch another program follow these easy steps:

- 1 Select Internet tab in Button Settings
- 2 Click [Application registration...]
- 3 "Start browser" is selected by default
- 4 If you want this button to start some other application, select Start Program and click [Next]
- 5 Select "Select from Start Menu"
- 6 Select an application from "Start Menu" list, click [Next]
- 7 Choose Sound notification option, click [Next] and [Finish]



IF YOUR SYSTEM HAS DEDICATED ONE OF THE APPLICATION LAUNCHER BUTTONS TO BE AN INTERNET LAUNCHER, THE BUTTON CAN STILL BE CONFIGURED TO LAUNCH ANY APPLICATION YOU WISH, NOT JUST AN INTERNET BROWSER.

When you have finished with Application Panel Setup click [OK], and the new settings will take effect. You can reconfigure your LIFEBOOK Application Panel as often as you like.

### Opening the Fujitsu Support Center with the Support Button

The Support button performs different actions when the system is off or when it is on.

When the system is booting, pressing the Support button will open the Fujitsu Start Boot Menu which allows you to select **Recovery and Utility** to perform a number of other functions, including recovery of your system.

After the operating system has been started, pressing the [Support] button invokes the Fujitsu Support Center utility which offers three tabs: **Manual, Diagnostic Program, and Support.**

## **Manual tab**

The **Manual** tab lets you automatically go to the Fujitsu Support website to download the system User's Guide. (You must be connected to the Internet in order to use this function).

## **Diagnostic Program tab**

The **Diagnostic Program** tab allows you to automatically reboot the system, then open the boot menu, from which you can choose **Diagnostic Program** or **Recovery and Utility** (same as pressing the button when the system is shut down). From the **Diagnostic** tab you can also view your System Information.

## **Support tab**

The **Support** tab lets you automatically go to the Support Website. (You must be connected to the Internet in order to access the Support website).

## Chapter 2

# Getting Started with Your LIFEBOOK

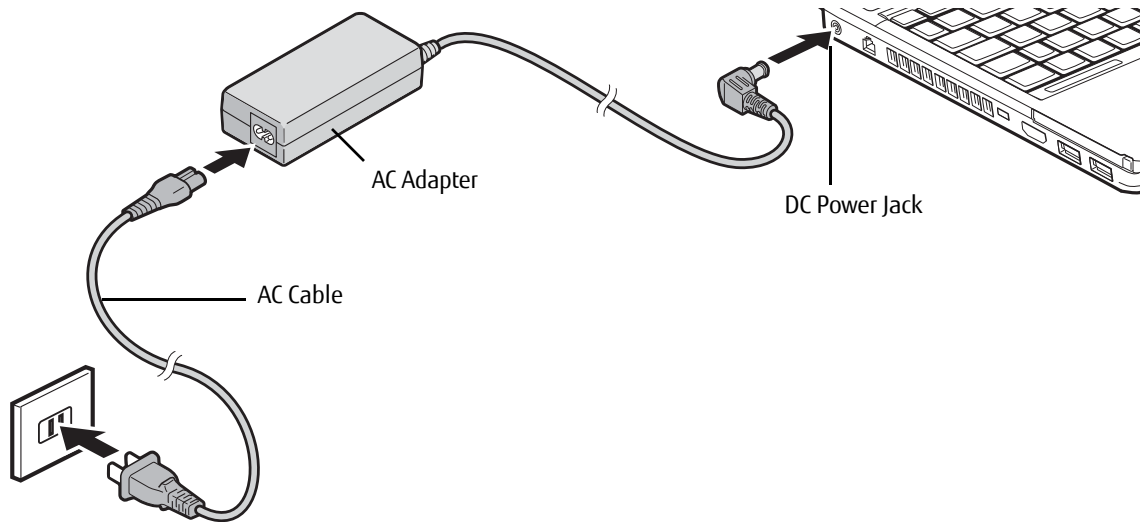


Figure 16. Connecting the AC Adapter

## Power Sources

Your Fujitsu LIFEBOOK notebook has three possible power sources: a primary Lithium ion battery, an AC adapter or an optional Auto/Airline adapter.

### Connecting the Power Adapters

The AC adapter or optional Auto/Airline adapter provides power for operating your notebook and charging the batteries.

#### Connecting the AC Adapter

- 1 Plug the DC output cable into the DC power jack of your LIFEBOOK notebook.
- 2 Plug the AC adapter into an AC electrical outlet.

#### Connecting the Optional Auto/Airline Adapter

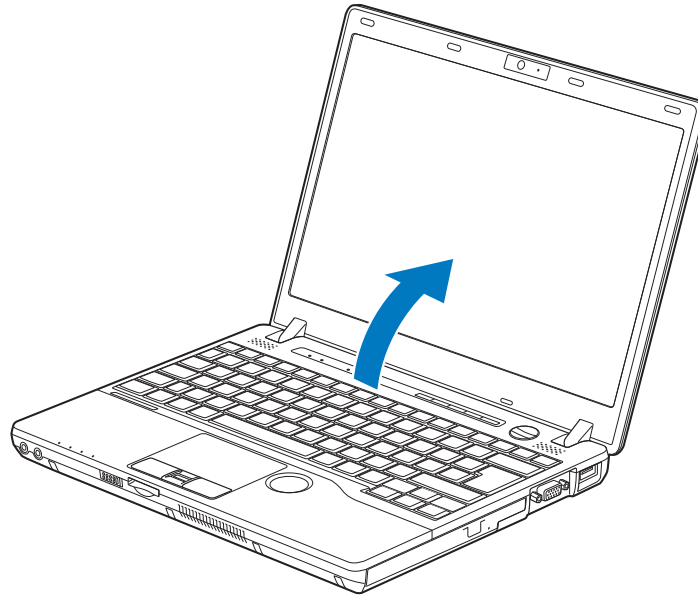
- 1 Plug the DC output cable into the DC power jack on your notebook.
- 2 Plug the Auto/Airline adapter into the cigarette lighter of an automobile with the ignition key in the On or Accessory.  
OR
- 3 Plug the Auto/Airline adapter into the DC power jack on an airplane seat.

#### Switching from AC Adapter Power or the Auto/Airline Adapter to Battery Power

- 1 Be sure that you have at least one charged battery installed.
- 2 Remove the AC adapter or the Auto/Airline adapter.



THE LITHIUM ION BATTERY IS NOT CHARGED UPON PURCHASE. INITIALLY, YOU WILL NEED TO CONNECT EITHER THE AC ADAPTER OR THE AUTO/AIRLINE ADAPTER TO USE YOUR NOTEBOOK.



**Figure 17. Opening the Display Panel**

## **Display Panel**

Your Fujitsu LIFEBOOK notebook contains a display panel that is backlit for easier viewing in bright environments and maintains top resolution through the use of active-matrix technology.

### **Opening the Display Panel**

To open the display, lift the display backwards, being careful not to touch the screen, until it is at a comfortable viewing angle.

### **Adjusting Display Panel Brightness**

Once you have turned on your notebook, you may want to adjust the brightness level of the screen to a more comfortable viewing level. There are three ways to adjust the brightness, by using the keyboard, the Power Options, or the Windows Mobility Center.





NOTE THAT THE CHANGED SETTINGS ARE TEMPORARY BY DEFAULT, BUT THEY CAN BE MADE PERMANENT BY USING THE POWER OPTIONS UTILITY IN THE CONTROL PANEL.

## Using the Keyboard

Adjusting the brightness using the keyboard changes the setting only temporarily.

- [Fn+F6]: Pressing repeatedly will lower the brightness of your display.
- [Fn+F7]: Pressing repeatedly will increase the brightness of the display.

## Using the Power Options

To change the brightness using the Power Options utility, open the Control Panel. Select one of the icon views, then click on the **Power Options** icon. Select **Adjust the display brightness** in the left panel, then drag the brightness bars to the desired level. Note The settings you make via this utility are permanent until you change them again.

## Using the Windows Mobility Center

In the Control Panel, select one of the icon views. Click the **Windows Mobility Center** icon. Drag the **Display Brightness** bar to the desired level.

## Using Power Management to Control Brightness

To adjust brightness with the power management utility:

Click Start -> **Control Panel**. In **View by:**, select one of the icon views. Select **Display**, then click **Adjust brightness** in left pane. Drag the **Screen brightness:** slider left or right, to suit your preference.



- WHEN USING AC POWER YOUR BRIGHTNESS SETTING IS SET TO ITS HIGHEST LEVEL BY DEFAULT. WHEN USING BATTERY POWER THE SETTING IS SET TO APPROXIMATELY MID-LEVEL BY DEFAULT.
- THE HIGHER THE BRIGHTNESS LEVEL, THE MORE POWER THE NOTEBOOK WILL CONSUME AND THE FASTER YOUR BATTERIES WILL DISCHARGE. FOR MAXIMUM BATTERY LIFE, MAKE SURE THAT THE BRIGHTNESS IS SET AS LOW AS POSSIBLE.

## Closing the Display Panel

To close the display, simply hold it by the edge and pull it forward until it is flush with the body of your notebook.

## Using Multiple Displays Simultaneously

With your system, it is possible to use three different displays at the same time. Depending upon your system and optional port replicator configurations, all port types represented in the chart below may not be available. The port types supported by the three-display feature include:

- System LCD
- DisplayPort (on the system)
- DisplayPort (on the port replicator)
- VGA port (on the port replicator)

The available 3-display combinations for this system are shown the chart below:

	System Display/Ports			Port Replicator Ports		
	System LCD	DisplayPort	VGA	DisplayPort	DVI	VGA
1	X	X		X		
2		X		X		X

Once you have connected two external displays to your system/port replicator, the Active Display menu will appear in Graphics property from which you can select three displays.

# Starting Your LIFEBOOK Notebook

## Power On

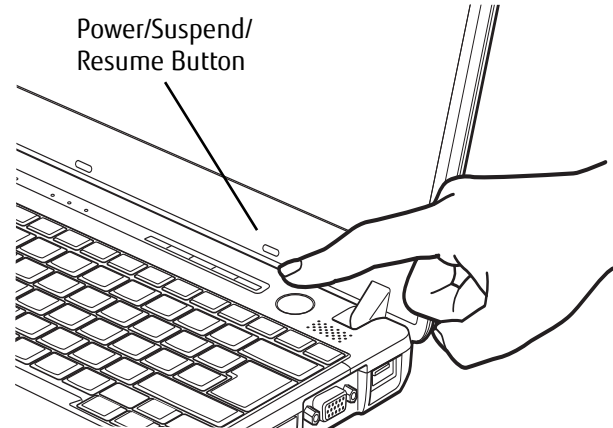
### Power/Suspend/Resume Button

The Power and Suspend/Resume button is used to power on your LIFEBOOK notebook, to resume from Sleep or Save-to-Disk mode or to place your notebook in Sleep or Save-to-Disk mode. (You can also use the button to power down the system by holding it down for approximately five seconds. This can be useful if the system is “hung up”. This shouldn’t be used as the normal means of shutdown, however.) You can also turn off your notebook by clicking on the small arrow at the bottom right of the Windows Start menu, then clicking Shut Down.



WHEN YOU TURN ON YOUR LIFEBOOK NOTEBOOK, BE SURE YOU HAVE A POWER SOURCE. THIS MEANS THAT A BATTERY IS INSTALLED AND CHARGED, OR THAT THE AC OR AUTO/AIRLINE ADAPTER IS CONNECTED AND HAS POWER.

Once you have connected your AC adapter or charged the internal Lithium ion Battery, you can press this button to power up your notebook. (Figure 18)



**Figure 18. Powering Up the System**



DO NOT CARRY THE NOTEBOOK AROUND WITH POWER ON OR SUBJECT IT TO VIBRATION OR SHOCKS; DOING SO COULD DAMAGE THE NOTEBOOK.

When you Power On your notebook, it will perform a Power On Self Test (POST) to check the internal parts and configuration for correct functionality. If a fault is found, your notebook will emit an audio warning and/or an error message will be displayed. Depending on the nature of the problem, you may be able to continue by starting the operating system or by entering the BIOS setup utility and revising the settings.

After satisfactory completion of the POST, your notebook will load your operating system.



NEVER TURN OFF YOUR NOTEBOOK DURING THE POWER ON SELF TEST (POST) OR IT WILL CAUSE AN ERROR MESSAGE TO BE DISPLAYED WHEN YOU TURN YOUR NOTEBOOK ON THE NEXT TIME.

## Boot Sequence

The procedure for starting-up your notebook is termed the Bootup sequence and involves your notebook's BIOS. When your notebook is first turned on, the main system memory is empty, and it needs to find instructions to start up your notebook. This information is in the BIOS program. Each time you power up or restart your notebook, it goes through a boot sequence which displays a Fujitsu logo until the operating system is found. During booting, your notebook is performing a standard boot sequence including a Power On Self Test (POST). When the boot sequence is completed without a failure and without a request for the BIOS Setup Utility, the system displays the operating system's opening screen.

The boot sequence is executed when:

- You turn on the power to your LIFEBOOK notebook.
- You restart your LIFEBOOK notebook from the Windows Shut Down dialog box.
- The software initiates a system restart; for example, when you install a new application.

## Hard Disk Drive Passwords

To provide additional security for your data, you can assign passwords to your hard disk drive(s). This feature is managed in the system BIOS Setup Utility. See *BIOS Setup Utility* below for information about accessing the utility.



**REMEMBER YOUR PASSWORDS.** IF YOU SET AND FORGET YOUR USER AND MASTER HARD DISK PASSWORDS, FUJITSU AMERICA WILL NOT BE ABLE TO RESET IT. YOU MAY LOSE DATA AND HAVE TO REPLACE YOUR SYSTEM BOARD OR HARD DISK DRIVE.

## BIOS Setup Utility

The BIOS Setup Utility sets up the operating environment for your notebook. Your BIOS is set at the factory for normal operating conditions, therefore there is no need to set or change the BIOS' environment to operate your notebook.

The BIOS Setup Utility also allows you to configure such features as the System Data Security feature parameters, such as passwords.

### Entering the BIOS Setup Utility

To enter the BIOS Setup Utility do the following:

- 1 Turn on or restart your LIFEBOOK notebook.
- 2 To enter the BIOS Setup Utility, press the [F2] key once the Fujitsu logo appears on the screen. This will open the main menu of the BIOS Setup Utility with the current settings displayed.

Press the right or left arrow keys key to scroll through the other setup menus to review or alter the current settings.

### BIOS Guide

A guide to your notebook's BIOS is available online at our service and support Website at:

<http://solutions.us.fujitsu.com/www/content/support/contact/index.php>. Once there, select User's Guides under Online Support. Select your Product, Series, and Model, then click [Go].



IF YOUR DATA SECURITY SETTINGS REQUIRE IT, YOU MAY BE ASKED FOR A PASSWORD BEFORE THE BIOS MAIN MENU WILL APPEAR.

## Booting the System

We strongly recommend that you not attach any external devices or put a DVD/CD in your drive until you have gone through the initial power on sequence.

When you turn on your LIFEBOOK notebook for the first time, it will display a Fujitsu logo on the screen. If you do nothing the system will load the operating system, and then the Windows Welcome will begin.

## Starting Windows the First Time

After you boot up the system the first time and follow the instructions on the screen, you will eventually come to the Welcome window. After the Welcome window appears, the screen will black out for **up to several minutes**. This is normal. **DO NOT ATTEMPT TO POWER DOWN THE SYSTEM AT THIS POINT.** While the screen is blacked out, your system configuration is being set up and the necessary files are being installed.

During the course of the first start up, you will need to read and accept the End User License Agreements (EULAs) for Microsoft and Fujitsu.



- IF YOU REJECT THE TERMS OF THE LICENSE AGREEMENT YOU WILL BE ASKED TO REVIEW THE LICENSE AGREEMENT FOR INFORMATION ON RETURNING WINDOWS OR TO SHUT DOWN YOUR NOTEBOOK.
- YOU CANNOT USE YOUR NOTEBOOK UNTIL YOU HAVE ACCEPTED THE LICENSE AGREEMENT. IF YOU STOP THE PROCESS YOUR NOTEBOOK WILL RETURN TO THE BEGINNING OF THE WINDOWS WELCOME PROCESS, EVEN IF YOU SHUT YOUR NOTEBOOK DOWN AND START IT UP AGAIN.

Several additional windows will appear, prompting you to enter a name and description for your computer, an Administrator password, and a domain name. Read the instructions on the screens carefully and fill in the information as directed.



## Installing Bonus Apps

After you have started your system the first time, you will see a Bonus Apps icon on your desktop. Click on the icon to see which additional applications are available for you to install. Applications that are already installed appear in grey; those that are available for installation appear in blue.

Select the applications you wish to install by selecting the checkbox adjacent to your selection, or click [Select All] if you would like to install all available applications. Once you have made your selections, click [Install].

Note that in some cases (depending upon which application was selected for installation) after installation completes, the system will prompt you to reboot. There are also cases in which if multiple applications are selected to install but one of them needs a reboot, the system will reboot and continue installing the rest of the selected applications.

### **Registering your LIFEBOOK with Fujitsu**

You can register your notebook by going to our website at: <https://store.shopfujitsu.com/fpc/Ecommerce/Service.jsp>. You will need to be set up with an Internet Service Provider (ISP) to register online.

## Power Management

Your Fujitsu LIFEBOOK notebook has many options and features for conserving battery power. Some of these features are automatic and need no user intervention; however, others depend on the parameters you set to best suit your operating conditions, such as those for the display brightness. Internal power management for your notebook may be controlled from settings made in your operating system, pre-bundled power management application, or from settings made in BIOS setup utility.

Besides the options available for conserving battery power, there are also some things that you can do to prevent your battery from running down as quickly. For example, you can create an appropriate power saving profile, put your notebook into Sleep mode when it is not performing an operation, and you can limit the use of high power devices. As with all mobile, battery powered computers, there is a trade-off between performance and power savings.

### Power/Suspend/Resume Button

When your notebook is active, the Power/Suspend/Resume button can be used to manually put the notebook into Sleep mode. Push the Power/Suspend/Resume button when the notebook is active, but not actively accessing anything, and immediately release the button. You will hear two short beeps and the system will enter Sleep mode.

If your notebook is suspended, pushing the Power/Suspend/Resume button returns your notebook to active operation. You can tell if the system is Suspended by looking at the Power indicator. If the indicator is visible and not flashing, your notebook is fully operational. If the indicator is visible and flashing, your notebook is in Sleep mode. If the indicator is not visible, the power is off or your notebook is in Hibernation mode. See "Hibernate Feature" on page 51.

### Sleep Mode

Sleep mode in Windows saves the contents of your system memory during periods of inactivity by maintaining power to critical parts. This mode turns off the CPU, display, hard drive, and all other internal components except those necessary to maintain system memory and for restarting.

Your notebook can be put in Sleep mode by:

- Pressing the Power/Suspend/Resume button when your system is turned on.
- Selecting Sleep from the Windows Shut Down menu.
- Timing out from lack of activity.



- Allowing the battery to reach the Dead Battery Warning condition.

Your notebook's system memory typically stores the file on which you are working, open application information, and any other data required to support operations in progress. When you resume operation from Sleep mode, your notebook will return to the point where it left off. You must use the Power/Suspend/Resume button to resume operation, and there must be an adequate power source available, or your notebook will not resume.



- IF RUNNING YOUR NOTEBOOK ON BATTERY POWER, NOTE THAT THE BATTERY CONTINUES TO DISCHARGE WHILE YOUR NOTEBOOK IS IN SLEEP MODE, THOUGH NOT AS FAST AS WHEN FULLY OPERATIONAL.
- DISABLING THE POWER/SUSPEND/RESUME BUTTON PREVENTS IT FROM BEING USED TO PUT THE NOTEBOOK INTO SLEEP OR HIBERNATION MODE. THE BUTTON RESUME FUNCTION CAN'T BE DISABLED.
- THE SLEEP OR HIBERNATION MODE SHOULD NOT BE USED WITH CERTAIN PC CARDS. CHECK YOUR PC CARD DOCUMENTATION FOR MORE INFORMATION. WHEN PC CARDS OR EXTERNAL DEVICES ARE IN USE, HIBERNATION MODE CANNOT RETURN TO THE EXACT STATE PRIOR TO SUSPENSION, BECAUSE ALL OF THE PERIPHERAL DEVICES WILL BE RE-INITIALIZED WHEN THE SYSTEM RESTARTS.
- IF YOUR NOTEBOOK IS ACCESSING INFORMATION WHEN YOU ENTER SLEEP OR HIBERNATION MODE, CHANGES TO OPEN FILES ARE NOT LOST. THE FILES ARE LEFT OPEN AND MEMORY IS KEPT ACTIVE DURING SLEEP MODE OR THE MEMORY IS TRANSFERRED TO THE INTERNAL HARD DRIVE DURING HIBERNATION MODE.
- THE MAIN ADVANTAGE OF USING HIBERNATION IS THAT POWER IS NOT REQUIRED TO MAINTAIN YOUR DATA. THIS IS PARTICULARLY IMPORTANT IF YOU WILL BE LEAVING YOUR NOTEBOOK IN A SUSPENDED STATE FOR A PROLONGED PERIOD OF TIME. THE DRAWBACK OF USING HIBERNATION MODE IS THAT IT LENGTHENS THE POWER UP/DOWN SEQUENCES AND RESETS PERIPHERAL DEVICES.

## Hibernate Feature

The Hibernation feature saves the contents of your notebook's system memory to the hard drive as a part of the Suspend/Resume mode. You can enable or disable this feature.

### Enable or Disable the Hibernation Feature

The Hibernate is enabled by default. To disable or enable the Hibernation feature follow these steps:

- 1 From the **Start** menu, select **Control Panel**, then select the **Power Options** icon.
- 2 Select "Choose what the power button does" or "Choose what closing the lid does", then make your selections (Do Nothing, Sleep, Hibernate, or Shut Down).

## Windows Power Management

The Power Options icon located in the Control Panel allows you to configure some power management settings. For example, you can use the Power Options to set the timeout values for turning off the display and hard disks whether you are running the notebook on battery power or one of the adapters.

### Restarting the System

- 1 Click the **Start** button, and then move the mouse over the right arrow.
- 2 Select the desired action from the list.



TURNING OFF YOUR LIFEBOOK NOTEBOOK WITHOUT EXITING WINDOWS OR TURNING ON YOUR NOTEBOOK WITHIN 10 SECONDS OF THE NOTEBOOK BEING SHUT OFF MAY CAUSE AN ERROR WHEN YOU START THE NEXT TIME.

### Powering Off

Before turning off the power, check that the hard drive/optical drive access indicator is off. If you turn off the power while accessing a disk there is a risk of data loss. To ensure that your notebook shuts down without error, use the Windows shut down procedure.



BE SURE TO CLOSE ALL FILES, EXIT ALL APPLICATIONS, AND SHUT DOWN YOUR OPERATING SYSTEM PRIOR TO TURNING OFF THE POWER. IF FILES ARE OPEN WHEN YOU TURN THE POWER OFF, YOU WILL LOSE ANY CHANGES THAT HAVE NOT BEEN SAVED, AND MAY CAUSE DISK ERRORS.

Using the correct procedure to shut down from Windows allows your notebook to complete its operations and turn off power in the proper sequence to avoid errors. The proper sequence is:

- 1 Click the **Start** button, and then move the mouse over the small arrow at the bottom right of the menu (for Windows 7 systems, simply click the [Shut Down] button).
- 2 Select **Shut Down** from the list.

If you are going to store your notebook for a month or more, see the Care and Maintenance Section.



- ALWAYS POWER OFF THE COMPUTER BEFORE TRANSPORTING AND/OR PACKAGING IT. AFTER SHUTTING DOWN THE SYSTEM, WAIT UNTIL THE STATUS LED PANEL INDICATES POWER OFF CONDITION (I.E., THE INDICATOR PANEL IS BLANK).
- IT IS POSSIBLE THAT THE UNIT MAY NOT AUTOMATICALLY GO TO POWER OFF OR HIBERNATE MODE WHEN YOU CLOSE THE LID. THIS SITUATION MAY OCCUR DUE TO PRE-OS BOOT PASSWORD SECURITY SETTINGS OR SOME OTHER APPLICATION RUNNING ON THE COMPUTER.
- ATTEMPTING TO TRANSPORT THE COMPUTER WHILE POWER IS ON MAY DAMAGE THE NOTEBOOK DUE TO SHOCK OR OVERHEATING SINCE THE AIR VENTS MAY BE BLOCKED OR RESTRICTED.

## ENERGY STAR® Compliance



Your Fujitsu system is an ENERGY STAR qualified mobile PC. By choosing a computer with the latest energy-saving technology, you're helping to preserve our environment for future generations.

ENERGY STAR is a joint program of the U.S. Environmental Protection Agency, U.S. Department of Energy, Natural Resources Canada, and other governments around the world helping us save money while protecting the environment through energy efficient products and practices. With energy costs and global warming top-of-mind for consumers, Fujitsu is committed to offering solutions that help consumers conserve energy and improve the quality of our environment.

### Sleep Mode:

You will notice that your computer is initially set so that the display turns off after 15 minutes of user inactivity, and the computer goes into Sleep mode after 20 minutes of user inactivity. When going into Sleep mode, the computer also reduces the speed of any active Ethernet network links. To "wake" the computer from Sleep mode, press the Suspend/Resume Button.

### Energy saving benefits:

Fujitsu ENERGY STAR qualified mobile PCs use about half as much electricity as standard equipment – saving half in utility costs. But more than that, ENERGY STAR also makes a difference for the environment. Did you know that the average house can be responsible for twice the greenhouse gas emissions as the average car? That's because every

time you flip on a light switch, run your dishwasher, or turn on your PC, you use energy, which means more greenhouse gas emissions from power plants. So the more energy we can save through energy efficiency, the more we help to reduce greenhouse gases and the risks of global warming.

To learn more about the important ENERGY STAR program, visit: [www.energystar.gov](http://www.energystar.gov).

To read about how Fujitsu is supporting Sustainable Management along with several other environmental activities, visit the Fujitsu Corporate Citizenship page at:

<http://www.computers.us.fujitsu.com/www/content/aboutus/environmental/environment.php>

## Chapter 3

# User-Installable Features

---

### Lithium ion Battery

Your LIFEBOOK notebook has a Lithium ion battery that provides power for operating your notebook when no external power source is available. The battery is durable and long lasting, but should not be exposed to extreme temperatures, high voltages, chemicals or other hazards.

The Lithium ion battery operating time may become shorter if it is used under the following conditions:

- When used at temperatures that exceed a low of 5°C or a high of 35°C. Extreme temperatures not only reduce charging efficiency, but can also cause battery deterioration. The Battery Charge Indicator on the Status Indicator panel will flash when you try to charge a battery that is outside its operating temperature range. *See "Battery Charging Indicator" on page 21.*
- When using a high current device such as a Multi-Format DVD Writer, Blu-ray RW drive, or the hard drive, using the AC adapter will conserve your battery life.



DO NOT LEAVE A FAULTY BATTERY IN YOUR NOTEBOOK. IT MAY DAMAGE YOUR AC ADAPTER, OPTIONAL AUTO/AIRLINE ADAPTER, ANOTHER BATTERY OR YOUR NOTEBOOK ITSELF. IT MAY ALSO PREVENT OPERATION OF YOUR NOTEBOOK BY DRAINING ALL AVAILABLE CURRENT INTO THE BAD BATTERY.



- ACTUAL BATTERY LIFE WILL VARY BASED ON SCREEN BRIGHTNESS, APPLICATIONS, FEATURES, POWER MANAGEMENT SETTINGS, BATTERY CONDITION AND OTHER CUSTOMER PREFERENCES. MULTI-FORMAT DVD WRITER, BLU-RAY RW DRIVE, OR HARD DRIVE USAGE MAY ALSO HAVE A SIGNIFICANT IMPACT ON BATTERY LIFE. THE BATTERY CHARGING CAPACITY IS REDUCED AS THE BATTERY AGES. IF YOUR BATTERY IS RUNNING LOW QUICKLY, YOU SHOULD REPLACE IT WITH A NEW ONE.
- UNDER FEDERAL, STATE, OR LOCAL LAW IT MAY BE ILLEGAL TO DISPOSE OF BATTERIES BY PUTTING THEM IN THE TRASH. PLEASE TAKE CARE OF OUR ENVIRONMENT AND DISPOSE OF BATTERIES PROPERLY. CHECK WITH YOUR LOCAL GOVERNMENT AUTHORITY FOR DETAILS REGARDING RECYCLING OR DISPOSING OF OLD BATTERIES. IF YOU CANNOT FIND THIS INFORMATION ELSEWHERE, CONTACT YOUR SUPPORT REPRESENTATIVE AT 1-800-8FUJITSU (1-800-838-5487)

## Recharging the Batteries

If you want to know the condition of the primary Lithium ion battery, check the Battery Level indicator located on the Status Indicator panel. The indicator changes as the battery level changes.

The Lithium ion battery is recharged internally using a power adapter. To recharge the battery be sure the battery that needs to be charged is installed in your notebook and connect the AC or Auto/Airline adapter.



MAKE SURE THAT THE BATTERY CHARGING INDICATOR AND THE PERCENTAGE CHARGE IS SHOWN INSIDE THE BATTERY LEVEL ICON ON THE STATUS INDICATOR PANEL.

There is no memory effect on the Lithium ion battery, therefore you do not need to discharge the battery completely before recharging. The charge times will be significantly longer if your notebook is in use while the battery is charging. If you want to charge the battery more quickly, put your notebook into Sleep mode, or turn it off while the adapter is charging the battery. *(See Power Management on page 50 for more information on Sleep mode and shutdown procedure)*



USING HEAVY CURRENT DEVICES SUCH AS FREQUENT BLU-RAY/DVD/CD DRIVE ACCESSES MAY PREVENT CHARGING COMPLETELY.

## Low Battery State

When the battery is running low, a low battery notification message will appear. If you do not respond to the low battery message, the batteries will continue to discharge until they are too low to operate. When this happens, your notebook will go into Sleep mode. There is no guarantee that your data will be saved once the notebook reaches this point.



- ONCE THE LOW BATTERY NOTIFICATION MESSAGE APPEARS, YOU NEED TO SAVE YOUR ACTIVE DATA AND PUT YOUR NOTEBOOK INTO SLEEP MODE UNTIL YOU CAN PROVIDE A NEW POWER SOURCE. YOU SHOULD CONNECT A CHARGED BATTERY OR AN AC OR AUTO/AIRLINE ADAPTER AS SOON AS POSSIBLE.
- WHEN YOU ARE IN SLEEP MODE THERE MUST ALWAYS BE AT LEAST ONE POWER SOURCE ACTIVE. IF YOU REMOVE ALL POWER SOURCES WHILE YOUR LIFEBOOK NOTEBOOK IS IN SLEEP MODE, ANY DATA THAT HAS NOT BEEN SAVED TO THE HARD DRIVE WILL BE LOST.

Dead Battery Suspend mode shows on the Status indicator just like the normal Sleep mode. Once your notebook goes into Dead Battery Suspend mode you will be unable to resume operation until you provide a source of power either from an adapter or a charged battery. Once you have provided power, you will need to press the Power/Suspend/Resume button to resume operation.

In Dead Battery Suspend mode, data can be maintained for a while, but if a power is not provided promptly, the Power indicator will stop flashing and go out, meaning you have lost the data that was not stored. Once power is provided, you can use your notebook while an adapter charges the battery.

## Shorted Batteries

The Status Indicator panel uses a symbol inside the battery outline of the Battery Level indicator to display the operating level available in that battery. If this display shows a Shorted Battery, it means the battery is damaged and must be replaced so it does not damage other parts of your LIFEBOOK notebook.

## Replacing the Battery

With the purchase of an additional battery, you can have a fully charged spare to swap with one that is not charged. There are two ways to swap batteries, cold-swapping and hot-swapping:

### Cold-swapping Batteries

To cold-swap batteries in your battery bay follow these easy steps:

- 1 Have a charged battery ready to install.
- 2 Shut down your notebook, disconnect the AC adapter, and turn it upside down.
- 3 While pushing the battery lock away from the battery, slide the battery latch towards the center of the system. Lift the battery out of the bay at the lift point.
- 4 Insert a new battery into the bay, and press it down so that the latches click into place.
- 5 Plug in the AC adapter and turn the power on.

### Hot-swapping Batteries

To hot-swap batteries in your battery bay follow these easy steps:



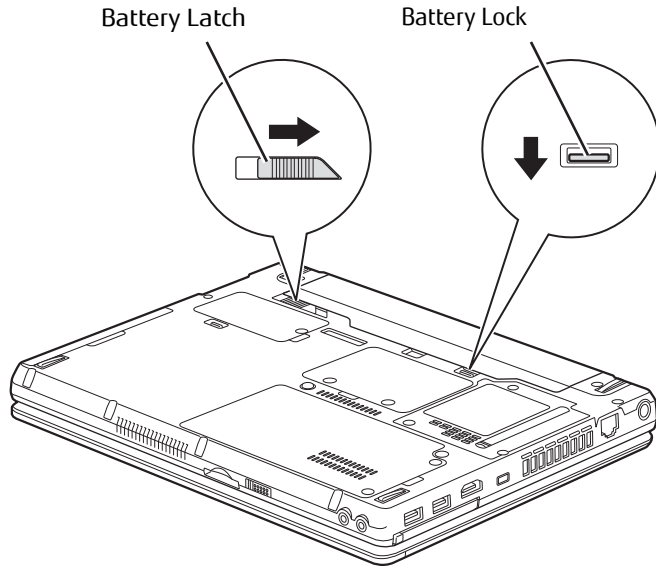
**BE SURE TO PLUG IN AN AC ADAPTER PRIOR TO REMOVING THE BATTERY.** THERE IS NO BRIDGE BATTERY PRESENT TO SUPPORT THE SYSTEM WHILE THE BATTERY IS BEING REPLACED. IF YOU DO NOT USE AN AC ADAPTER YOU WILL LOSE ANY UNSAVED FILES.

- 1 Plug an AC Adapter into the system and connect it to a power outlet.
- 2 Follow steps 3 through 4 in "Cold Swapping Batteries".

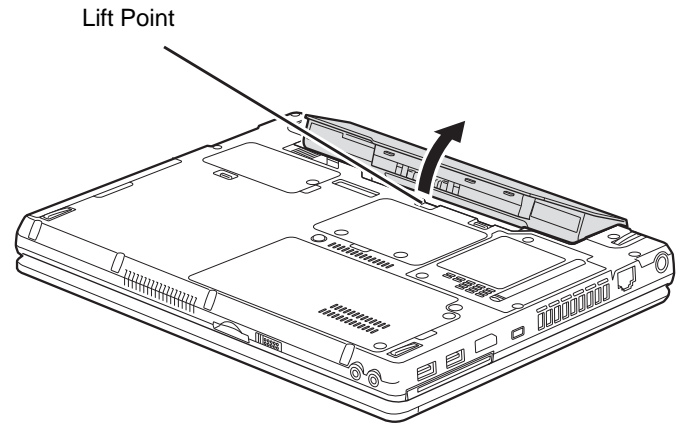


IF THE LITHIUM ION BATTERY CONNECTOR IS NOT FULLY SEATED, YOU MAY NOT BE ABLE TO USE YOUR NOTEBOOK OR CHARGE YOUR BATTERY.





**Figure 19. Unlatching a Battery**



**Figure 20. Removing a Battery**

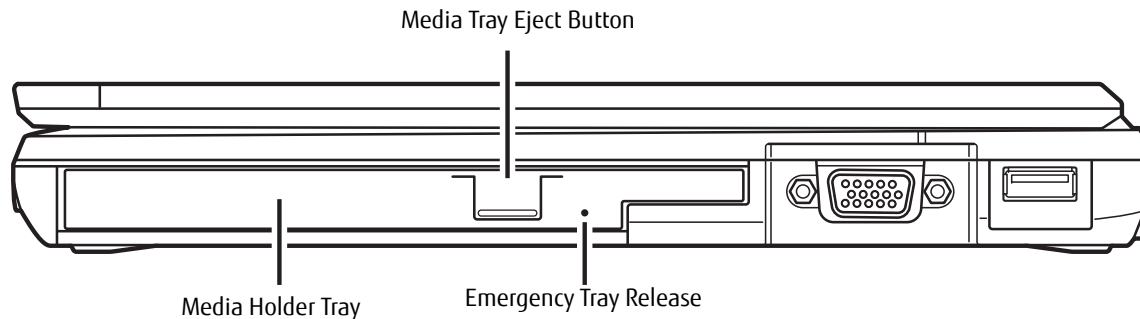


Figure 21. Optical Drive

## Optical Drive

There is a variety of media available to use with your system, depending upon the system configuration you have selected. Multi-Format DVD Writers and Blu-ray® RW drives are collectively known as “optical drives”.

Depending upon your notebook configuration, you may have one of the following optical drives:

- **Dual-Layer Multi-Format DVD Writer:** This drive lets you access movies, audio DVD/CDs, and software, and read and write to CD-R, CD-RW, DVD-R, DVD+R, DVD-RW, DVD+RW, and DVD RAM discs. The dual-layer architecture allows you to record up to 8.5 GB of data on DVD+R discs.
- **Blu-ray® RW Drive:** With this drive, you can play Blu-ray Disc movies and burn up to 50 GB of movies or data on a Dual-Layer Blu-ray disc. You can play CD-ROM, CD-R, CD-RW, DVD-ROM, DVD-R, DVD-R DL, DVD-RW, DVD+R, DVD+R DL, DVD+RW, DVD-RAM, BD-ROM, BD-R, BD-R DL, BD-RE, BD-RE DL discs, and record CD-R, CD-RW, DVD-R, DVD-R DL, DVD-RW, DVD+R, DVD+R DL, DVD+RW, DVD-RAM, BD-R, BD-R DL, BD-RE, BD-RE DL discs.

## Media Player Software

*Dual-Layer Multi-Format DVD Writer model only:* With the Dual-Layer Multi-Format DVD Writer and media player software you can play DVD movies and music CDs on your LIFEBOOK notebook. (The media player software consists of CyberLink PowerDVD, PowerDirector, and MakeDisc, and can be installed using the Bonus Apps feature. See

“Installing Bonus Apps” on page 48). The media player includes controls which allow you to take full advantage of the features of a DVD movie, as well as standard features such as fast forward, fast reverse, pause, etc. With this drive you can also burn onto recordable DVD-R/RW, DVD+R/RW, or CD-R/RW discs.

*Blu-ray RW model only:* The software for the Blu-ray drive consists of CyberLink PowerDVD, PowerDirector, and MakeDisc, and can be installed using the Bonus Apps feature. See “Installing Bonus Apps” on page 48. When used in conjunction with the PowerDirector and MakeDisc applications, PowerDVD turns your notebook into a powerful multi-media producer and player.



- DO NOT OPERATE YOUR OPTICAL DRIVE UNLESS YOUR LIFEBOOK NOTEBOOK IS SITTING ON A FLAT SURFACE. USING A DRIVE WHEN THE SYSTEM IS NOT LEVEL MAY DAMAGE THE DRIVE OR PREVENT PROPER OPERATION.
- PROLONGED USE OF THE OPTICAL DRIVE, SUCH AS WATCHING A DVD MOVIE, WILL SUBSTANTIALLY REDUCE YOUR BATTERY LIFE IF NO EXTERNAL POWER SOURCE IS ATTACHED.

## Loading Media on Your Drive

To load a disc into your optical drive:

- 1 Push and release the eject button on the front of the optical drive to open the holder tray. The tray will come out of the LIFEBOOK notebook a short distance.
- 2 Gently pull the tray out until a media disc can easily be placed in the tray.



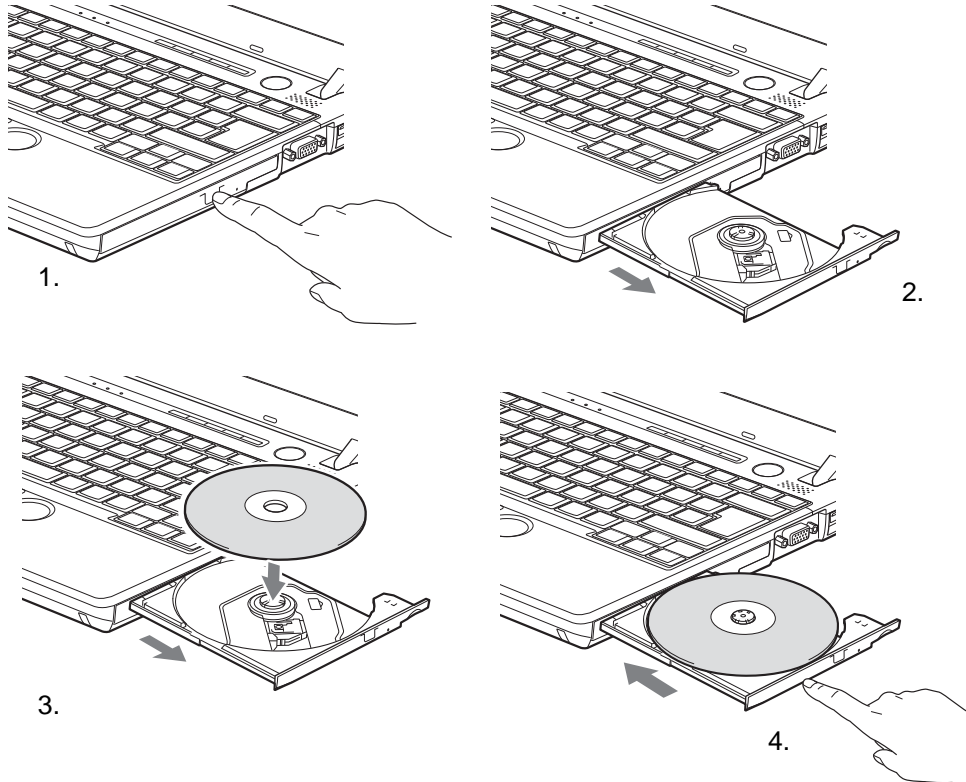
- YOU SHOULD PERIODICALLY CHECK THE FUJITSU WEBSITE AT [US.FUJITSU.COM/COMPUTERS](http://US.FUJITSU.COM/COMPUTERS) FOR THE MOST CURRENT DRIVERS.
- ALL LIFEBOOK DVD PLAYERS ARE SET TO PLAY DVD TITLES WITH REGION CODE NUMBER 1 WHICH IS SPECIFIED FOR THE NORTH AMERICAN MARKET. THE REGION NUMBER IS A REGIONAL RESTRICTION CODE DEFINED BY THE DVD FORUM ACTING ON HOLLYWOOD REQUIREMENTS. DIFFERENT REGION CODES ARE RECORDED ON VIDEO DVD TITLES FOR PUBLICATION IN DIFFERENT AREAS OF THE WORLD. IF THE REGIONAL CODE OF THE DVD PLAYER DOES NOT MATCH THE REGIONAL CODES ON THE TITLES, THEN PLAYBACK IS IMPOSSIBLE.
- YOU CAN CHANGE THE REGION CODE ON THE DVD PLAYER USING THE PROPERTIES MENU OF THE DVD SOFTWARE. NOTE, HOWEVER, THAT **YOU CAN ONLY CHANGE THE REGION CODE UP TO FOUR TIMES**. AFTER THE 4TH CHANGE, THE LAST CODE ENTERED BECOMES PERMANENT, AND CANNOT BE CHANGED.

- 3 Place the media into the tray, label side up, with the hole in the center of the disc. Snap the disc onto the raised circle in the center of the tray.

#### 4 Gently push the holder tray back in until you hear a click



IF YOU HAVE DISABLED THE AUTO INSERT NOTIFICATION FUNCTION, YOU WILL HAVE TO START THE DRIVE EITHER BY USING MY COMPUTER OR FROM WITHIN WINDOWS EXPLORER, SINCE YOUR NOTEBOOK WILL NOT AUTOMATICALLY RECOGNIZE THAT MEDIA HAS BEEN LOADED.



## Figure 22. Loading/Ejecting Media

### Removing Media

- 1 Push and release the eject button on the front of the optical drive. This will stop the drive and the holder tray will come out of the LIFEBOOK notebook a short distance.
- 2 Gently pull the tray out until the disc can easily be removed from the tray.
- 3 Carefully remove the media disc from the holder tray, then push the holder tray back in until you hear a click.

### Emergency Optical Drive Tray Release

If for some reason the eject button fails, you can open the media tray with a paper clip or similar tool inserted into the eject hole in the right side of the front of the tray. Straighten one side of a paper clip and push it gently into the hole. The tray will pop out.

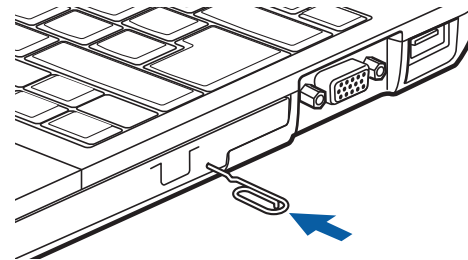


Figure 23. Emergency Tray Release

### Using the Media Player Software



DEPENDING UPON ITS CONFIGURATION, YOUR SYSTEM MAY NOT HAVE THE MEDIA PLAYER SOFTWARE PRE-INSTALLED. IF IT IS NOT INSTALLED, REFERENCE THE DOCUMENTATION THAT ACCOMPANIES THE MEDIA APPLICATION.

### Starting a DVD Movie (DVD Models only)

- 1 Insert the DVD into the optical drive of the notebook. If the CD AutoRun feature activates, skip Step 2.
- 2 The first time you insert a movie into the optical drive tray, you will be prompted to select what you want the system to do when discs are inserted (e.g., start automatically or wait for a prompt). Until you make a selection, you will receive the same prompt whenever you insert a disc.

- 3 Click **OK** to close the About DVD Player Performance dialog box and the movie will begin.

### Opening the Media Player Control Panel

With most DVD-ROMs, you have the option of altering how the movie should play and what you wish to view. You can do this by using the media player control panel and the mouse.

- 1 Right-click on the movie screen to open a dropdown menu for options.
- 2 Select **View**, then **Player** for all the controls available. This will open the control panel in the bottom of the screen.

### Using the Media Player Control Panel

The media player software allows you to watch the movie much like a VCR player. You can pause, rewind, fast-forward and stop the movie at any point.

- 1 To pause the movie, click the on-screen **||** button.
- 2 To rewind the movie, click the **◀** button to rewind to a specific portion of the movie, or the **◀◀** button to return to the opening screen.
- 3 To fast-forward the movie, click the **▶▶** button to forward to a specific portion of the movie, or the **▶▶▶** button to jump to the ending credits.
- 4 To stop the movie, click the **■** button.

### Exiting the Media Player

- 1 Click the **✕** located in the upper right corner of the title bar. This will open a media player dialog box.
- 2 Click Yes to stop and exit the movie, or No to close the media player dialog box and return to the movie.

### Using Media Player on Battery Power

Since optical drives consume a lot of power, your battery life will be significantly shorter when operating the optical drive continuously (such as watching a DVD movie) than during standard operation. Many movie run-times are longer than your notebook can support on a single charged battery. If you are watching a DVD movie on battery power you may need to swap in an additional, charged battery or attach AC power during the movie to view it in its entirety.



- PROLONGED USE OF THE OPTICAL DRIVE, SUCH AS WATCHING A DVD MOVIE, WILL GREATLY REDUCE YOUR NOTEBOOK'S BATTERY LIFE.
- MANY MOVIE RUN-TIMES ARE LONGER THAN YOUR SYSTEM CAN SUPPORT ON A SINGLE BATTERY. IF YOU ARE WATCHING A DVD MOVIE ON BATTERY POWER YOU MAY NEED TO SWAP IN AN ADDITIONAL, CHARGED BATTERY OR ATTACH AC POWER DURING THE MOVIE TO VIEW IT IN ITS ENTIRETY.
- AN ADDITIONAL FULLY-CHARGED BATTERY IS HIGHLY RECOMMENDED IF YOU WILL BE WATCHING DVD MOVIES ON BATTERY POWER. IF YOU DON'T HAVE AN ADDITIONAL BATTERY, YOU MAY PURCHASE ONE EITHER ONLINE AT: [HTTP://WWW.COMPUTERS.US.FUJITSU.COM](http://www.computers.us.fujitsu.com) OR BY CALLING 1-877-372-3473.

### To Watch a Movie on Battery Power:

- 1 Have an additional full-charged battery or your AC adapter ready for use.
- 2 Start watching your DVD movie.
- 3 When the low battery warning occurs, immediately stop the movie and exit the media player.

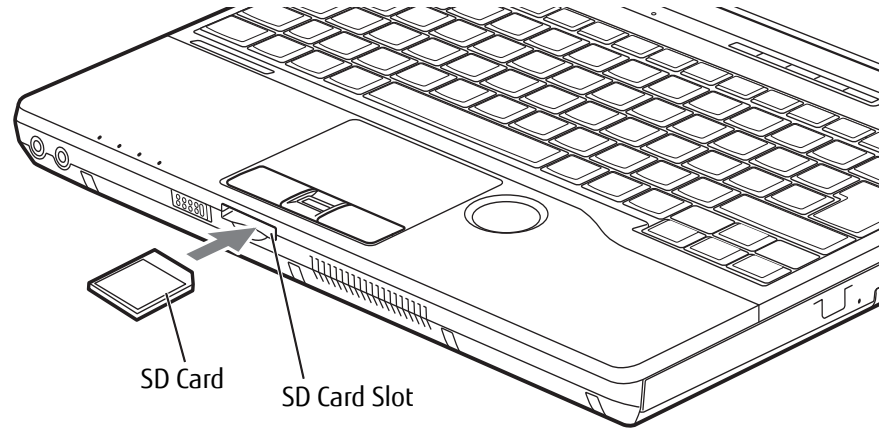


IF YOU DO NOT STOP THE MEDIA PLAYER QUICKLY AND THE LIFEBOOK NOTEBOOK ATTEMPTS TO AUTO-SUSPEND (CRITICAL BATTERY LOW STATE) THE LIFEBOOK NOTEBOOK WILL SHUT DOWN IMPROPERLY. IF THIS OCCURS, YOU MAY NEED TO PERFORM A HARD RESET AND FOLLOW THE INSTRUCTIONS, IF ANY, PRESENTED TO YOU BEFORE THE SYSTEM WILL REBOOT.

- 4 Power down your notebook and replace the discharged battery with an additional fully-charged battery. If you do not have an additional battery, you may attach AC power as soon as you see the low battery warning.
- 5 Resume your LIFEBOOK notebook by pressing the Suspend button again. This is not required if you attached AC power without entering sleep mode.
- 6 Restart your media player, locate and skip to the chapter of the movie you were last watching.
- 7 Continue watching your DVD movie.



SOME SHORTER DVD MOVIES MAY NOT REQUIRE YOU TO SWAP BATTERIES OR ATTACH AC POWER TO COMPLETE THEM. HOWEVER, IT IS BEST TO BE PREPARED SINCE ACTUAL BATTERY LIFE WHILE OPERATING THE OPTICAL DRIVE CANNOT BE GUARANTEED.



**Figure 24. Installing a Secure Digital Card**

## Secure Digital Cards

Your LIFEBOOK notebook supports Secure Digital (SD) cards on which you can store and transfer data to and from a variety of digital devices. These cards use flash memory architecture, which means they don't need a power source to retain data.

Secure Digital (SD) Cards are flash memory devices that allow you to record, transfer and share digital content, such as digital pictures, movies, music, voice, and computer data and applications. SD Cards allow portable storage among a variety of devices, such as cell phones, GPS systems, digital cameras, and PDAs. SD Cards transfer data quickly, with low battery consumption. Like the memory stick, it uses flash memory architecture.



## Installing SD Cards

SD Cards are installed in the SD Card slot. To install an SD Card, follow these steps:



INSTALLING OR REMOVING AN SD CARD DURING YOUR LIFEBOOK NOTEBOOK'S SHUTDOWN OR BOOTUP PROCESS MAY DAMAGE THE CARD AND/OR YOUR LIFEBOOK NOTEBOOK.

DO NOT INSERT A CARD INTO A SLOT IF THERE IS WATER OR ANY OTHER SUBSTANCE ON THE CARD AS YOU MAY PERMANENTLY DAMAGE THE CARD, YOUR LIFEBOOK NOTEBOOK, OR BOTH.

- 1 See your specific card manual for instructions on the installation of your card. Some cards may require that your notebook is off while installing them.
- 2 Make sure there is no card currently in the slot. If there is, see "Removing an SD Card" below.
- 3 Insert your card into the slot with the product label facing up.
- 4 Push the card firmly into the slot until it is seated in the connector.

## Removing an SD Card

To remove an SD Card, follow these easy steps:



SEE YOUR CARD MANUAL FOR SPECIFIC INSTRUCTIONS ON THE REMOVAL OF YOUR CARD. SOME CARDS MAY REQUIRE YOUR LIFEBOOK NOTEBOOK TO BE IN SLEEP MODE OR OFF WHILE REMOVING THEM.

Push the SD Card in until it unlatches. It will then eject from the slot for removal.

ExpressCard or Security Card Slot Location

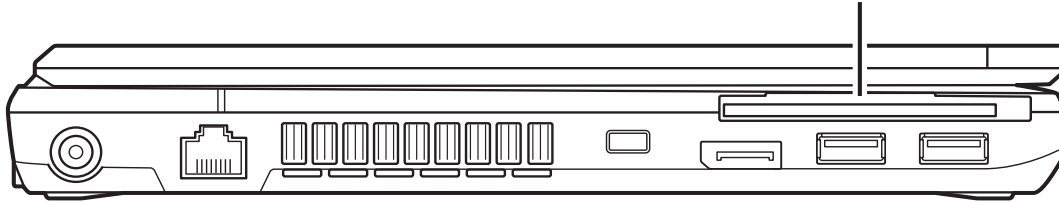


Figure 25. ExpressCard/Security Card Slot

## ExpressCards®/Smart Cards

Your notebook has either an ExpressCard slot or a Smart Card slot, depending upon your configuration.

### ExpressCards

If your system is configured with an ExpressCard slot, it will support ExpressCards® which can perform a variety of functions depending on which type of card you install. Some available ExpressCards:

- Gigabit Ethernet Local area network (LAN) cards
- S-ATA II cards
- IEEE802.11n WLAN cards

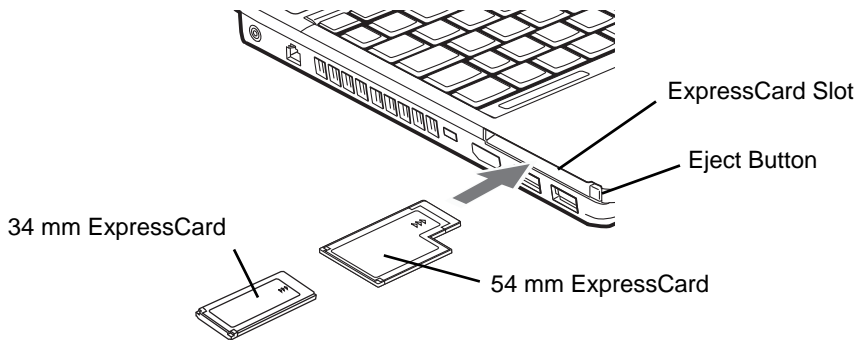
For further information, refer to the instructions supplied with your card(s).

### Installing ExpressCards

There are two different width ExpressCards: 34 mm and 54 mm. The connector inside the slot is located on the left-hand side of the slot. If you insert a 34 mm card, be sure to align it with the left side of the slot when inserting it. ExpressCards are installed in the ExpressCard slot.



- INSTALLING OR REMOVING AN EXPRESSCARD DURING THE NOTEBOOK'S SHUTDOWN OR BOOTUP MAY DAMAGE THE CARD AND/OR YOUR NOTEBOOK.
- DO NOT INSERT AN EXPRESSCARD INTO A SLOT IF THERE IS WATER OR ANY OTHER SUBSTANCE ON THE CARD AS YOU MAY PERMANENTLY DAMAGE THE CARD, YOUR NOTEBOOK, OR BOTH.



**Figure 26. Installing/Removing ExpressCards**



YOU MAY BE REQUIRED TO LOG ON AS ADMINISTRATOR OR A MEMBER OF THE ADMINISTRATOR'S GROUP TO COMPLETE THIS PROCEDURE. IF YOUR COMPUTER IS CONNECTED TO A NETWORK, NETWORK POLICY SETTINGS MAY ALSO PREVENT YOU FROM COMPLETING THIS PROCEDURE.

See your ExpressCard manual for instructions on the installation of your card. Some cards may require that your notebook is off while installing them.

To install an ExpressCard, follow these steps:

- 1** Make sure there is no ExpressCard currently in the slot. If there is, see See "Removing ExpressCards" on page 70.
- 2** If the eject button is extended, press it in until it clicks.
- 3** Insert your ExpressCard into the slot with the product label facing up. If you are inserting a 34 mm card, be sure to align it with the left side of the slot when inserting it.
- 4** Push the card firmly into the slot until it is seated in the connector.

## Removing ExpressCards

See your ExpressCard manual for specific instructions on removing your card. Some cards may require your notebook to be in Sleep Mode or Off during removal.



- IT IS GOOD PRACTICE TO REMOVE DEVICES USING THE SAFELY REMOVE HARDWARE ICON IN THE SYSTEM TRAY.
- IF THE DIALOG BOX STATES THAT THE DEVICE CANNOT BE REMOVED, YOU MUST SAVE ALL OF YOUR OPEN FILES, CLOSE ANY OPEN APPLICATIONS AND SHUT DOWN YOUR NOTEBOOK.

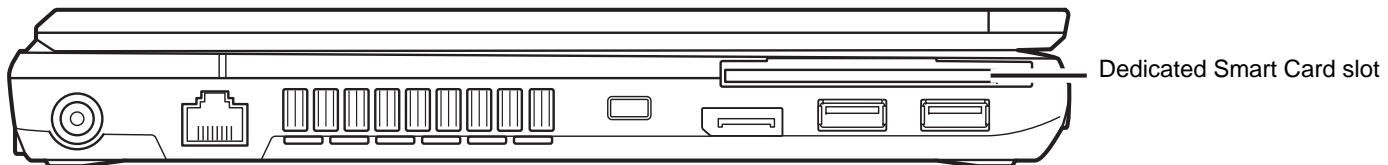
To remove an ExpressCard, follow these steps:

- 1 Unlock the card from the slot by pressing the eject button associated with the slot in which the card is located. When pressed, the button will pop out.
- 2 Firmly press the button again until it is flush with the notebook. This will eject the card slightly out of the slot allowing you to remove the card.

## Smart Card Reader

Instead of an ExpressCard slot, your system may be configured with a dedicated Smart Card slot. Smart Cards are the same size and shape as credit cards, but they contain an integrated microprocessor chip. The chip can hold a variety of information, and provides you with many possible options, such as allowing you to make secure purchases, pay for phone calls, store security information, and provide personal identification and information.

In order to use the Smart Card Reader, you must purchase optional Smart Card third-party software. The Smart Card slot is located on the left side of the system (Figure 27).



**Figure 27. Smart Card Slot**

# Memory Upgrade Module

Your Fujitsu notebook comes with high speed Double Data Rate Synchronous Dynamic RAM (DDR3-1600 SDRAM) factory installed. To increase your memory capacity, you may install an additional memory upgrade module. The memory upgrade must be a dual-in-line (DIMM) SDRAM module. To ensure 100% compatibility, purchase the SDRAM module only from the Fujitsu web store at [www.shopfujitsu.com](http://www.shopfujitsu.com).

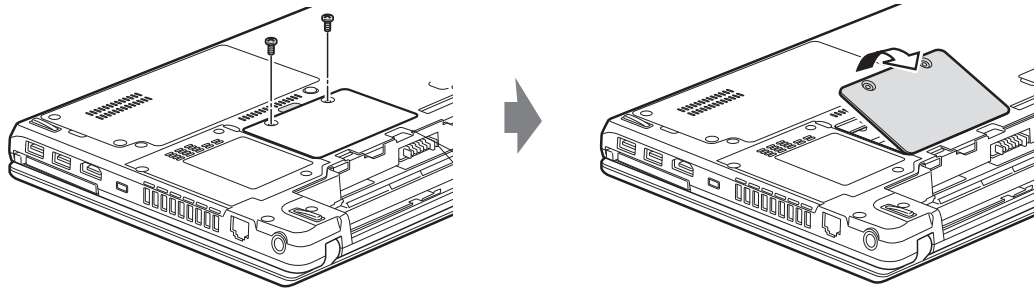
- DO NOT REMOVE ANY SCREWS FROM THE MEMORY UPGRADE MODULE COMPARTMENT EXCEPT THE ONES SPECIFICALLY SHOWN IN THE DIRECTIONS FOR INSTALLING AND REMOVING THE MEMORY UPGRADE MODULE.
- THE MEMORY UPGRADE MODULE CAN BE SEVERELY DAMAGED BY ELECTROSTATIC DISCHARGE (ESD). TO MINIMIZE RISK TO THE MODULE, OBSERVE THE FOLLOWING PRECAUTIONS:



- BEFORE HANDLING A MEMORY MODULE, TOUCH A GROUNDED METAL OBJECT TO DISCHARGE STATIC ELECTRICITY BUILT UP IN YOUR BODY.
- WHEN INSTALLING OR REMOVING A MEMORY MODULE, HOLD IT BY THE EDGE SO AS NOT TO TOUCH ANY CONTACTS OR CHIPS. BE CAREFUL NOT TO TOUCH ANY INTERNAL TERMINALS OR COMPONENTS; THE OIL FROM YOUR FINGERS COULD CAUSE A SHORT TO THE COMPONENTS.
- BE SURE TO POWER DOWN YOUR SYSTEM BEFORE ADDING OR REMOVING MEMORY MODULES. EVEN IF THE SYSTEM IS IN HIBERNATE OR SLEEP STATES, DATA COULD BE LOST OR THE MEMORY COULD BE DAMAGED IF POWER IS STILL AVAILABLE TO THE SYSTEM.

## Installing Memory Upgrade Modules

- 1 Turn off power to your notebook, remove any power adapter (AC or auto/airline). Remove the primary and/or secondary battery.
- 2 Make sure that all the connector covers are closed.
- 3 Turn the notebook bottom side up, and remove the screw from the memory upgrade module compartment.
- 4 Remove the cover.
- 5 Remove the memory upgrade module from the static guarded sleeve.
- 6 Align the memory upgrade module with the part side up. Align the connector edge of the memory upgrade module with the connector slot in the compartment. Note that the memory modules will be "stacked" when both are installed.



**Figure 28. Opening the Memory Compartment**

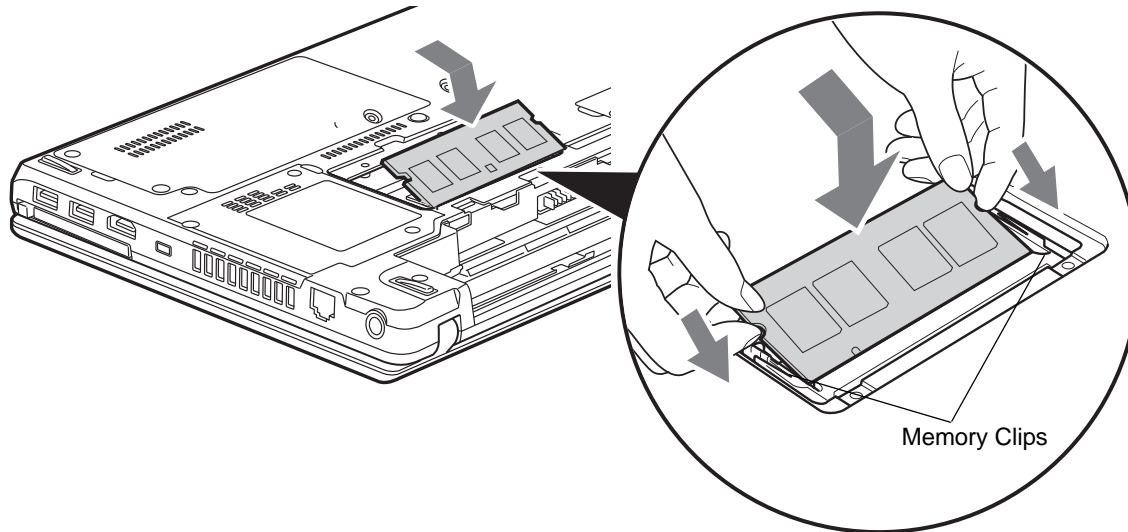
- 7** Insert the memory upgrade module at a 45° angle (Figure 29). Press the connector edge of the module firmly down and into the connector until it lodges under the retaining clip. You'll hear a click when it is properly in place.
- 8** Replace the cover and reinstall the screws.



THE MEMORY UPGRADE MODULE IS NOT SOMETHING YOU ROUTINELY REMOVE FROM YOUR NOTEBOOK. ONCE IT IS INSTALLED, YOU CAN LEAVE IT IN PLACE UNLESS YOU WANT TO CHANGE SYSTEM MEMORY CAPACITY.

### **Removing a Memory Upgrade Module**

- 1** Perform steps 1 through 4 of Installing a Memory Upgrade Module.
- 2** Pull the clips sideways away from each side of the memory upgrade module at the same time.
- 3** While holding the clips out, remove the module from the slot by lifting it up and pulling it away from your notebook. Store the memory upgrade module in a static guarded sleeve.
- 4** Replace the cover and reinstall the screws.



**Figure 29. Inserting a Memory Upgrade Module**

### **Checking the Memory Capacity**

Once you have changed the system memory capacity by replacing the installed module with a larger one, be sure to check that your notebook has recognized the change.

Check the memory capacity by clicking [Start] -> Settings -> Control Panel, then clicking the System icon. Check the amount of memory next to "Installed memory (RAM):".



IF THE TOTAL MEMORY DISPLAYED IS INCORRECT, CHECK THAT YOUR MEMORY UPGRADE MODULE IS PROPERLY INSTALLED. (IF THE MODULE IS PROPERLY INSTALLED AND THE CAPACITY IS STILL NOT CORRECTLY RECOGNIZED, SEE TROUBLESHOOTING ON PAGE 83.

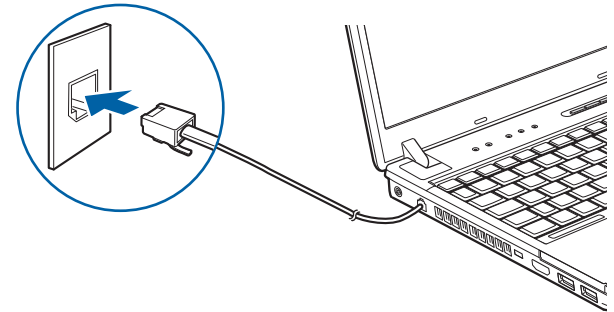
## Device Ports

Your Fujitsu LIFEBOOK notebook and the optional Port Replicator come equipped with multiple ports to which you can connect external devices including: disk drives, keyboards, printers, etc.

### Internal LAN (RJ-45) Jack

The internal LAN (RJ-45) jack is used for a Gigabit (10Base-T/100Base-Tx/1000Base-T) Ethernet LAN connection. You may need to configure your notebook to work with your particular network. (Please refer to your network administrator for information on your network configuration.) To connect the LAN cable follow these easy steps:

- 1 Align the connector with the port opening.
- 2 Push the connector into the port until it is seated.
- 3 Plug the other end of the cable into a LAN outlet.



**Figure 30. Connecting the LAN**



## DisplayPort / HDMI Port

A DisplayPort or HDMI connector (depending upon your system configuration), is located on the left side of the system. This port allows you to connect DisplayPort or HDMI devices to your notebook. In order to connect a DisplayPort device on systems with a DisplayPort connector, align the connector with the port opening and push the connector into the port until it is seated.

To connect an HDMI device on systems with an HDMI connector, align the connector with the port opening and push the connector into the port until it is seated.

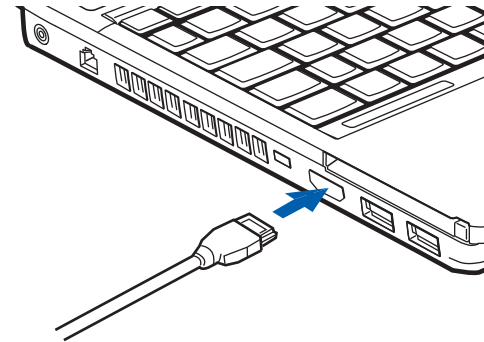


Figure 31. Connecting a DisplayPort Device

## Universal Serial Bus Ports

The Universal Serial Bus ports (USB) allow you to connect USB devices such as external game pads, pointing devices, keyboards and/or speakers. There are two USB 3.0 ports on the left side of your notebook and one USB 2.0 port on the right side. The USB 3.0 port closest to the front of the system is also an Anytime USB Charge port. (See below for more information.)

In order to connect a USB device follow these steps:

- 1 Align the connector with the port opening.
- 2 Push the connector into the port until it is seated.

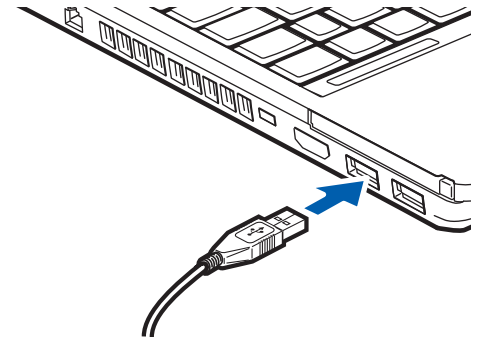


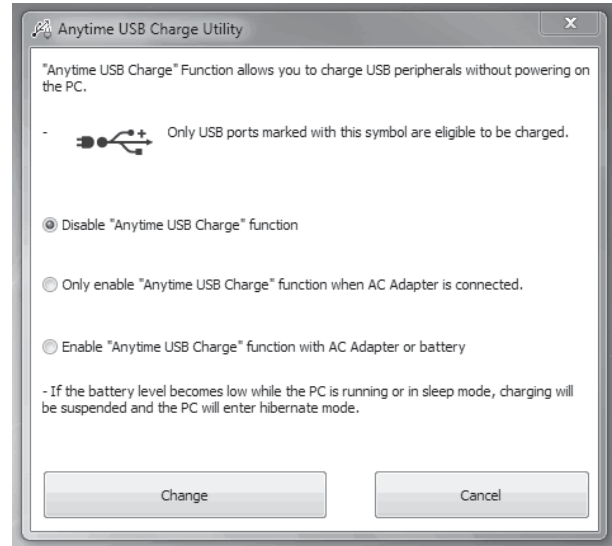
Figure 32. Connecting a USB Device

## Anytime USB Charge Utility

The Anytime USB Charge feature can be disabled and enabled from the BIOS Setup Utility; the feature is enabled by default. The settings for the Anytime USB Charge feature can be changed by going to Start > All Programs > Anytime USB Charge Utility and clicking on Settings. There are three possible settings for this feature: "Disable Anytime USB Charge function", "Only enable Anytime USB Charge function with AC Adapter", and "Enable Anytime USB Charge function with AC Adapter or battery". Note that if the setting is selected, the function will eventually drain the battery if the AC Adapter is not plugged in.

Certain USB devices may require that a driver be installed in order for this feature to work.

Please check the documentation for your USB device to ensure proper charging with the Anytime USB Charge utility.



## Headphone Jack

The headphone jack allows you to connect headphones or powered external speakers to your notebook. Your headphones or speakers must be equipped with a 1/8" (3.5 mm) stereo mini-plug. In order to connect headphones or speakers follow these easy steps:

- 1 Align the connector with the port opening.
- 2 Push the connector into the port until it is seated.



- DEPENDING UPON YOUR SYSTEM CONFIGURATION, THE HEADPHONE JACK MAY SERVE DIFFERENT PURPOSES. ON SOME CONFIGURATIONS, THE JACK SERVES AS A STEREO HEADPHONE JACK. ON OTHER CONFIGURATIONS, THE JACK SERVES AS A STEREO HEADPHONE/LINE-OUT JACK.
- IF YOU PLUG HEADPHONES INTO THE HEADPHONE JACK, BUILT-IN STEREO SPEAKERS ARE DISABLED.

## Microphone Jack

The microphone jack allows you to connect an external mono microphone. Your microphone must be equipped with a 1/8" (3.5 mm) mono mini-plug in order to fit into the microphone jack of your notebook.

- 1 Align the connector with the port opening.
- 2 Push the connector into the port until it is seated.



DEPENDING UPON YOUR SYSTEM CONFIGURATION, THE MICROPHONE JACK MAY SERVE SINGLE OR DUAL PURPOSES. ON CONFIGURATIONS, THE JACK SERVES AS A MONO MICROPHONE JACK. ON OTHER CONFIGURATIONS, THE JACK SERVES AS A STEREO MICROPHONE/LINE-IN JACK.

## External Video Port

The external video port allows you to connect an external monitor or LCD projector. In order to connect an external video device, follow these easy steps:

- 1 Align the connector with the port opening.
- 2 Push the connector into the port until it is seated.
- 3 Tighten the two hold-down screws, located on each end of the connector.

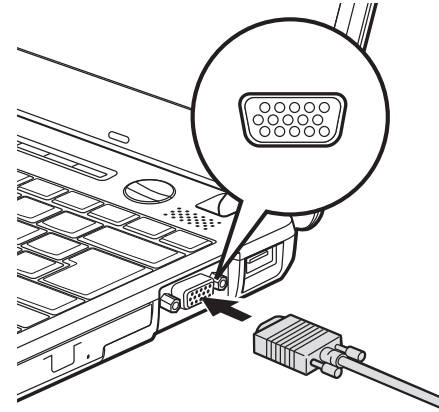


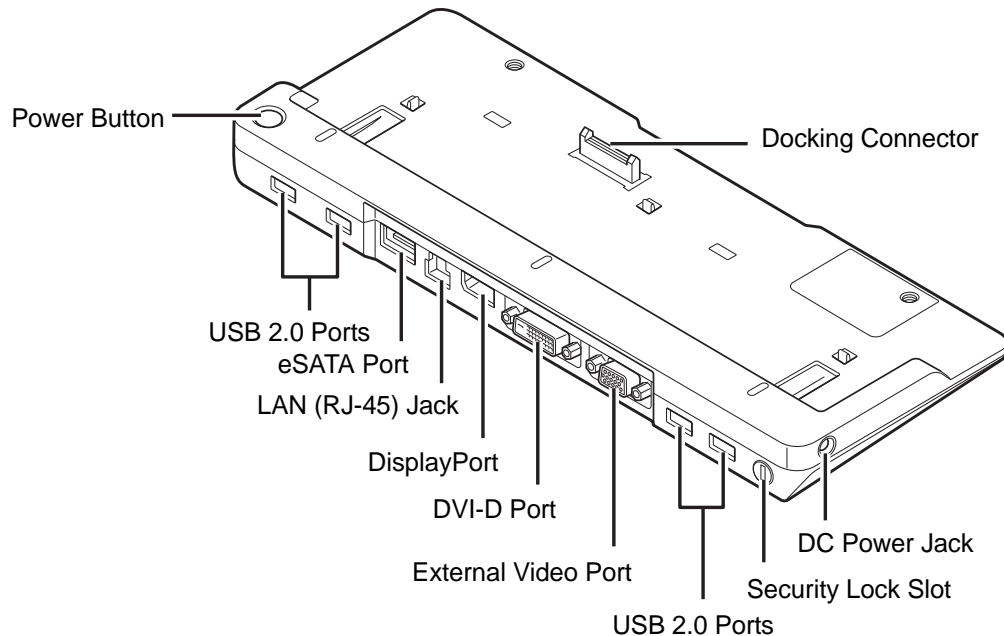
Figure 33. Connecting External Video Device

## Port Replicator Connector

The port replicator connector is used for the connection of your notebook to an optional port replicator. In order to connect your notebook to this device, follow the instructions that are included in "Port Replicator" on page 79.

## Port Replicator

An optional Port Replicator is available from Fujitsu to extend the functionality of your LIFEBOOK® notebook by providing ports to connect an external VGA monitor, a LAN (RJ-45) cable, four USB 2.0 devices, DC Power, DisplayPort, DVI and e-SATA devices.



**Figure 34. Port Replicator rear panel**

### Port Replicator Components

Following is a description of the Port Replicator components. (Figure 34)

#### Power Button

The power button allows you to power the port replicator on and off.

## USB 2.0 Ports (Qty. 4)

Universal Serial Bus (USB) 2.0 ports allow you to connect USB devices. USB 2.0 ports are backward-compatible with USB 1.1 devices.

## eSATA Port

eSATA (external Serial Advanced Technology Attachment) is an external version of SATA, and connects the computer to the hard drive. eSATA is ideal for backing up large files on an external hard drive.

## LAN (RJ-45) Jack

The LAN jack allows you to connect a LAN to the Port Replicator. Note that when the system is attached to the Port Replicator, the LAN Jack on the Port Replicator should be used, not the one on the system.

## DisplayPort

The DisplayPort lets you to connect DisplayPort-compatible digital display devices such flat panel displays and digital projectors using a DisplayPort cable.

## DVI-D Port

The DVI-D port lets you to connect digital display devices such flat panel displays and digital projectors using a DVI-D cable. DVI-D cables are primarily used to connect a computer with a monitor or home theater system.



- ALTHOUGH THERE ARE DISPLAYPORT AND DVI-D PORTS SUPPORTED BY THE PORT REPLICATOR, ONLY ONE CAN BE USED AT ANY TIME. AN INTERNAL SWITCH RECOGNIZES WHICH TYPE OF DEVICE IS CONNECTED. IF BOTH ARE CONNECTED AT THE SAME TIME, THE DISPLAYPORT DEVICE HAS THE HIGHER PRIORITY.
- A DISPLAYPORT OR DVI-D DEVICE CAN BE USED CONCURRENTLY WITH AN EXTERNAL VIDEO DEVICE THAT IS CONNECTED TO THE ANALOG EXTERNAL VIDEO PORT.
- HOT PLUG IS NOT SUPPORTED BY THE DISPLAYPORT OR DVI-D PORTS.
- IF A DISPLAYPORT-TO-HDMI CONVERTER IS CONNECTED TO THE DISPLAYPORT, SOUND WILL NOT BE OUTPUT FROM THE HDMI DEVICE. TO PROPERLY USE AN HDMI DEVICE, PLUG IT INTO THE HDMI PORT ON THE LEFT SIDE OF THE SYSTEM.

## External Video Port

The external video port lets you connect an external monitor or projector. Note that if a Port Replicator is attached, you must use the external video port on the Port Replicator, not the one on your system.

## Security Lock Slot

The security lock slot allows you to attach an optional physical lock down device.

## DC Power Jack

The DC power jack allows you to plug in the AC adapter to power your notebook and charge the internal Lithium ion battery.

## Docking Connector

The docking connector allows you to connect the Port Replicator to your LIFEBOOK notebook.



THE SYSTEM CONTAINS COMPONENTS THAT CAN BE SEVERELY DAMAGED BY ELECTROSTATIC DISCHARGE (ESD). TO MINIMIZE RISK TO THE COMPONENTS, OBSERVE THE FOLLOWING PRECAUTIONS:

- BEFORE DOCKING OR UNDOCKING YOUR LIFEBOOK WHEN USING A PORT REPLICATOR, YOU SHOULD TOUCH A GROUNDED METAL OBJECT TO DISCHARGE STATIC ELECTRICITY BUILT UP IN YOUR BODY.
- BE SURE TO POWER DOWN YOUR SYSTEM BEFORE ADDING OR REMOVING SYSTEM COMPONENTS. EVEN IF THE SYSTEM IS IN HIBERNATE OR SLEEP STATES, DATA COULD BE LOST OR MEMORY COULD BE DAMAGED IF POWER IS STILL AVAILABLE TO THE SYSTEM.

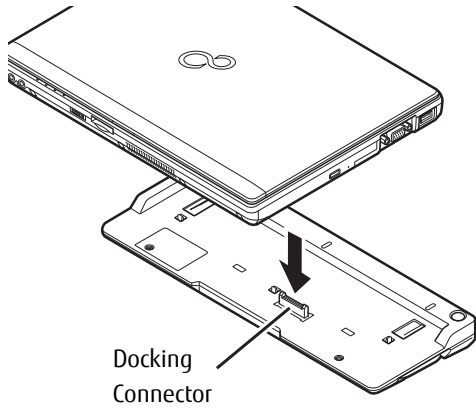
## Attaching Port Replicator

To attach the Port Replicator, align the Port Replicator connector on the bottom of your notebook with the connector on the Port Replicator and push the corners down simultaneously. (Figure 35)

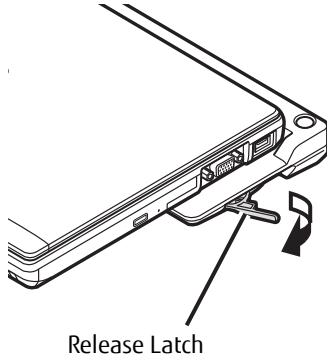
## Detaching Port Replicator

To detach the Port Replicator:

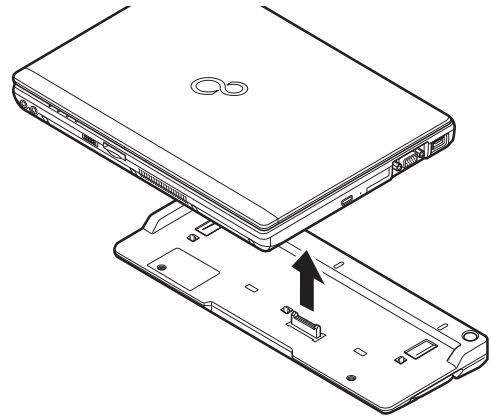
- 1 Pull the Port Replicator's release latch away from the Port Replicator to release it from your notebook. (Figure 36)
- 2 Pull the notebook away from the Port Replicator to detach it from your system. (Figure 37)



**Figure 35. Attaching**



**Figure 36. Unlatching**



**Figure 37. Removing**



## Chapter 4

# Troubleshooting Your LIFEBOOK

---

## Troubleshooting

There may be occasions when you encounter simple setup or operating problems that you can solve on the spot, or problems with peripheral devices that can be solved by replacing the device. The information in this section helps you isolate and resolve some of these straightforward issues and identify failures that require service.

### Identifying the Problem

If you encounter a problem, go through the following procedure before pursuing complex troubleshooting:

- 1 Turn off your LIFEBOOK notebook.
- 2 Make sure the AC adapter is plugged into your notebook and to an active AC power source.
- 3 Make sure that any card installed in the PC Card slot is seated properly. You can also remove the card from the slot, thus eliminating it as a possible cause of failure.
- 4 Make sure that any devices connected to the external connectors are plugged in properly. You can also disconnect such devices, thus eliminating them as possible causes of failure.
- 5 Turn on your notebook. Make sure it has been off at least 10 seconds before you turn it back on.
- 6 Go through the boot sequence.
- 7 If the problem has not been resolved, refer to the Troubleshooting Table, that follows, for more detailed troubleshooting information.



IF YOU KEEP NOTES ABOUT WHAT YOU HAVE TRIED, YOUR SUPPORT REPRESENTATIVE MAY BE ABLE TO HELP YOU MORE QUICKLY BY GIVING ADDITIONAL SUGGESTIONS OVER THE PHONE.

- 8** If you have tried the solutions suggested in the Troubleshooting Table without success, contact your support representative:

Toll free: 1-800-8FUJITSU (1-800-838-5487)

Web site: <http://solutions.us.fujitsu.com/www/content/support/contact/index.php>.

Before you place the call, you should have the following information ready so that the customer support representative can provide you with the fastest possible solution:

- Product name
- Product configuration number
- Product serial number
- Purchase date
- Conditions under which the problem occurred
- Any error messages that have occurred
- Type of device connected, if any

See the Configuration Label on the bottom of your notebook for configuration and serial numbers.

## Specific Problems

### Using the Troubleshooting Table

When you have problems with your LIFEBOOK notebook, try to find the symptoms under the Problem column of the troubleshooting table for the feature giving you difficulty. You will find a description of common causes for that symptom under the column Possible Cause and what, if anything, you can do to correct the condition under Possible Solutions. All possible causes or solutions may not apply to your notebook.

### Troubleshooting Table

#### ProblemPage

Audio Problems . . . . .	page 86
Optical Drive Problems . . . . .	page 86
Port Replicator Problems . . . . .	page 87
Hard Drive Problems . . . . .	page 87
Keyboard or Mouse Problems . . .	page 87
Memory Problems . . . . .	page 88

#### ProblemPage

USB Problems . . . . .	page 88
ExpressCard Problems . . . . .	page 89
Power Failures . . . . .	page 89
Shutdown and Startup Problems .	page 91
Video Problems . . . . .	page 92
Miscellaneous Problems . . . . .	page 93

Problem	Possible Cause	Possible Solutions
<b>Audio Problems</b>		
There is no sound coming from the built-in speakers.	The volume is turned too low.	Adjust the volume using the [Fn+F9] key combination on your keyboard. Press [F9] repeatedly while holding [Fn] to increase the volume of your notebook.
	The software volume control is set too low.	Manually adjusting the volume (i.e. keyboard "hot keys") should dynamically adjust the volume of the operating (see above). If that doesn't work, adjust the sound volume control settings in your software or application.
	Headphones are plugged into your notebook.	Plugging in headphones disables the built-in speakers, remove the headphones.
	Software driver is not configured correctly.	The Audio Driver may be installed or reinstalled. Refer to your application and operating system documentation for help.
	The speakers have been muted using the Volume icon in the system tray.	Click on the Volume icon in the tool tray on the bottom right of the screen. (It looks like a speaker). If the Mute box is checked, click on it to uncheck it. You can also use the [Fn+F3] key combination to toggle the volume on and off. Pressing [F3] while holding [Fn] will toggle the audio mute.
<b>Optical Drive Problems</b>		
LIFEBOOK fails to recognize optical discs.	The disc is not pushed down onto raised center circle of the drive.	Open optical drive tray and re-install the disc properly.
	Optical drive tray is not latched shut.	Push on the front of the optical drive tray until it latches. If that doesn't work, pull out the modular drive latch, remove the device from the bay, then re-insert the drive until it latched; this ensures that the drive is properly seated.
	Incorrect or no DVD Player software is installed.	Install DVD Player software. <i>(See "Media Player Software" on page 60 for more information.)</i>
	Wrong drive designator was used for the disc in the application.	Verify the drive designator used by the application is the same as the one used by the operating system. When the operating system is booted from a DVD/CD, drive designations are automatically adjusted. Note that the drive designation can be changed with the Disk Management tool located at <b>Administrative Tools &gt; Computer Management</b> .

Problem	Possible Cause	Possible Solutions
LIFEBOOK notebook fails to recognize optical discs. (continued)	DVD/CD-RW/CD-ROM is dirty or defective.	Wipe the disc with a non-abrasive CD cleaning cloth and reinsert. If it still will not work try another disc in the drive.
The drive access indicator on the Status Indicator Panel blinks at regular intervals with no disc in the tray or the drive is not installed.	The Windows auto insertion function is active and is checking to see if a disc is ready to run.	This is normal. However, you may disable this feature.
<b>Port Replicator Problems</b>		
<b>Note:</b> Be sure to power down your LIFEBOOK notebook before adding a printer to the Port Replicator parallel port.		
Notebook does not turn on when installed in the optional Port Replicator	Port Replicator AC adapter is not plugged in.	Provide power to the Port Replicator.
	Notebook is not properly seated in port replicator.	Remove and re-dock your LIFEBOOK notebook.
<b>Hard Drive Problems</b>		
You cannot access your hard drive.	The wrong drive designator was used by an application when a bootable disc was used to start the notebook.	Verify drive designator used by application is in use by the operating system. When the operating system is booted from a CD, drive designations are automatically adjusted.
	Security is set so your OS cannot be started without a password.	Verify your password and security settings.
<b>Keyboard or Mouse Problems</b>		
The built-in keyboard does not seem to work.	The notebook has gone into Sleep mode.	Push the <b>Power/Suspend/Resume</b> button.
	The application has locked out the keyboard.	Try to use your integrated pointing device to restart your system.

<b>Problem</b>	<b>Possible Cause</b>	<b>Possible Solutions</b>
You have installed an external keyboard or mouse, and it does not seem to work.	Your external device is not properly installed.	Re-install your device. <i>See "Device Ports" on page 74.</i>
	Your operating system software is not set up with correct software driver for that device.	Check your device and operating system documentation and activate the proper driver.
	Your system crashed.	Try to restart your notebook.
You have connected an external keyboard or a mouse and it seems to be locking up the system.	Your operating system software is not setup with correct software driver for that device.	Check your device and operating system documentation and activate the proper driver.
<b>Memory Problems</b>		
Your Power On screen does not show the correct amount of installed memory.	Memory upgrade module improperly installed.	Remove and re-install your memory upgrade module. <i>See "Memory Upgrade Module" on page 71.</i>
	You have a memory failure.	Check for Power On Self Test (POST) messages. <i>See "Power On Self Test Messages" on page 94.</i>
<b>USB Problems</b>		
You have installed a USB device but your LIFEBOOK notebook does not recognize the device, or the device does not seem to work properly.	The device is not properly installed.	Remove and re-install the device. <i>See "Device Ports" on page 74.</i>
	Your device may not have the correct software driver active.	See your software documentation and activate the correct driver.
	A device may have been installed while an application was running, so the notebook is not aware of its installation.	Close the application and restart your notebook.

Problem	Possible Cause	Possible Solutions
<b>ExpressCard Problems</b>		
A card inserted in the ExpressCard slot does not work or is locking up the system.	The card is not properly installed.	Remove and re-install the card. <i>See "ExpressCards®/Smart Cards" on page 68.</i>
	Your software may not have the correct software driver active.	See your software documentation and activate the correct driver.
	The card may have been installed while an application was running, so the notebook is not aware of it.	Close the application and restart your notebook.
	You may have the wrong I/O address selected for your card device.	See your ExpressCard documentation to determine the required I/O address. Change the settings in the Device Manager.
<b>Power Failures</b>		
You turn on your LIFEBOOK notebook and nothing seems to happen.	The installed primary battery is completely discharged, there is no optional second battery installed or there is no power adapter installed.	Check the Status Indicator Panel to determine the presence and condition of the batteries. See "Status Indicator Panel" on page 20. Install a charged battery or a Power adapter.
	The primary battery is installed but is faulty.	Use the Status Indicator panel to verify the presence and condition of the batteries. See "Status Indicator Panel" on page 20. If a battery short is indicated, remove the battery and operate from an AC Adapter or replace the battery.
	The battery or batteries are low.	Check the Status Indicator Panel to determine the battery(s) condition. See "Status Indicator Panel" on page 20. Use power adapter to operate until a battery is charged or install a charged battery.
	The power adapter is not plugged in properly.	Verify that your adapter is connected correctly. <i>See "Power Sources" on page 41.</i>
	The power adapter (AC or auto/airline) is faulty.	Try a different Power adapter or install a charged optional second battery.

<b>Problem</b>	<b>Possible Cause</b>	<b>Possible Solutions</b>
You turn on your LIFEBOOK notebook and nothing seems to happen. (continued)	AC adapter has no power from AC outlet, airplane seat jack, or car cigarette lighter.	Move the AC cord to a different outlet, check for a line switch or tripped circuit breaker for the AC outlet. If you are using an auto/airline adapter in a car make sure the ignition switch is in the On or Accessories position.
Your LIFEBOOK notebook turns off all by itself.	Power management parameters are set for auto timeouts which are too short for your needs.	Press any button on the keyboard, or move the mouse to restore operation. If that fails, push the Power/Suspend/Resume button. Check your power management settings, or close your applications and go to the Power Options Properties in the Control Panel to adjust the timeout values to better suit your needs.
	You have a battery failure.	Verify the condition of the batteries using the Status Indicator panel, and replace or remove any batteries that are shorted. <i>See "Status Indicator Panel" on page 20.</i>
	You are operating on battery power and ignored a low battery alarm until battery is dead and system is in Dead Battery Suspend mode.	Install a power adapter and then push the Power/Suspend/Resume button. <i>See "Power Sources" on page 41.</i>
	Your power adapter has failed or lost its power.	Make sure the adapter is plugged in and the outlet has power.
Your notebook will not work on battery alone.	No battery is installed.	Install a charged battery.
	Installed battery is dead.	Replace the battery with a charged one or install a power adapter.
	The batteries are improperly installed.	Verify that the batteries are properly connected by re-installing them.
	Your installed batteries are faulty.	Verify the battery conditions using the Status Indicator panel and replace or remove any batteries that are shorted. <i>See "Status Indicator Panel" on page 20.</i>
The batteries seem to discharge too quickly.	You are running an application that uses a lot of power.	Use both the primary battery and an optional second battery and/or use a power adapter for this application when at all possible.
	The power savings features may be disabled.	Check the Power Options menu settings and adjust according to your operating needs.



Problem	Possible Cause	Possible Solutions
The batteries seem to discharge too quickly. (continued)	The brightness is turned all the way up.	Turn down the brightness adjustment. The higher the brightness the more power your display uses.
	The batteries are old.	Replace the batteries.
	Batteries were exposed to high temperatures.	Replace the batteries.
	The batteries are too hot or too cold.	Restore the notebook to normal operating temperature. Charging icon on the Status Indicator panel will flash when battery is outside of operating range.
<b>Shutdown and Startup Problems</b>		
The Suspend/Resume button does not work.	There may be application software conflict	Close all applications and try the button again.
	Suspend/Resume button is disabled.	Enable the button by going to the Control Panel -> Power Options and clicking on "Choose what the power button does".
The system powers up, and displays power on information, but fails to load the operating system.	You have a secured system requiring a password to load your OS.	Make sure you have the right password. Enter the setup utility and verify the Security settings and modify them as accordingly. <i>See "BIOS Setup Utility" on page 47.</i>
	Hard drive was not detected.	Use the BIOS setup utility or Primary Master submenu, located within the Main menu, to try to auto detect the internal hard drive.
An error message is displayed on the screen during the boot sequence.	Power On Self Test (POST) has detected a problem.	See the POST messages to determine the meaning and severity of the problem. Not all messages are errors; some are simply status indicators. <i>See "Power On Self Test Messages" on page 94.</i>
Your notebook appears to change setup parameters when you start it.	BIOS changes weren't saved when you exited setup utility.	Make sure you select <b>Save Changes And Exit</b> when exiting the BIOS setup utility.
	The BIOS CMOS hold-up battery has failed.	Contact your support representative for repairs. This is not a user serviceable part but has a normal life of 3 to 5 years.
Your system display won't turn on when the system is turned on or has resumed.	You have installed the LIFE-BOOK/Security Application panel.	Check the Status Indicator Panel for presence of the Security icon. If it is visible, enter your password See "Status Indicator Panel" on page 20.

Problem	Possible Cause	Possible Solutions
<b>Video Problems</b>		
The built-in display is blank when you turn on your LIFE-BOOK notebook.	Display angle and brightness settings aren't adequate for your lighting conditions.	Move the display and the brightness control until you have adequate visibility. Pressing either the [F6] or [F7] keys while holding down the [Fn] key also allows you to change the brightness level of the display.
	The notebook is set for an external monitor only.	Press [F10] while holding down the [Fn] key change your selection of where to send your display video. Each time you press the keys brings you to the next choice. The choices, in order are: built-in display, external monitor, both built-in display and external monitor.
	Power management timeouts may be set for short intervals and you didn't notice the display come on and go off.	Press a keyboard button or move the mouse to restore operation. If that fails, push the Power/Suspend/Resume button. (The display may be shut off by Sleep mode, Auto Suspend or Video Timeout)
The notebook turned on with a series of beeps and the built-in display is blank.	POST has detected a failure which does not allow display to operate.	Contact your support representative.
The display goes blank by itself after you have been using it.	The notebook has gone into Sleep or Hibernate, or Video timeout because it hasn't been used it for a long time.	Press any button on the keyboard, or move the mouse to restore operation. If that fails, push the Power/Suspend/Resume button. Check your power management settings in the Power Options control panel.
	Power management timeouts may be set for short intervals and you didn't notice the display come on and go off.	Press any button on the keyboard, or move the mouse to restore operation. If that fails, push the Power/Suspend/Resume button. (The display may be shut off by Sleep Mode, Auto Suspend or Video Timeout)
Your display won't turn on when the system is turned on or when it has resumed.	The system may be password-protected.	Check the status indicator panel to verify that the Security icon is blinking. If it is blinking, enter your password.
The display does not close.	A foreign object is stuck between the display and keyboard.	Remove all foreign objects from the keyboard.

<b>Problem</b>	<b>Possible Cause</b>	<b>Possible Solutions</b>
The display has bright or dark spots.	If the spots are very tiny and few, this is normal for a large LCD display.	This is normal; do nothing.
	If the spots are numerous or large enough to interfere with your operation needs.	Display is faulty; contact your support representative.
The Display is dark when on battery power.	Power Management utility default is set on low brightness to conserve power.	Press [Fn] + [F7] to increase brightness or double-click on the battery gauge and adjust Power Control under battery settings.
You have connected an external monitor and it does not display any information.	Your external monitor is not properly installed.	Reinstall your device. See <i>"External Video Port"</i> on page 78.
	Your operating system is not set up with the correct device driver.	Check your device and operating system documentation and activate the proper driver.
You have connected an external monitor and it does not come on.	Your external monitor is not compatible with your LIFEBOOK notebook.	See your monitor documentation and the External Monitor Support portions of the Specifications section. See "Specifications" on page 112.
<b>Miscellaneous Problems</b>		
Error message is displayed on the screen during the operation of an application.	Application software often has its own set of error message displays.	See your application manual and help displays screens for more information. Not all messages are errors some may simply be status.

## Power On Self Test Messages

The following is a list of error-and-status messages that the Phoenix BIOS and/or your operating system can generate and an explanation of each message. Error messages are marked with an \*. If an error message is displayed that is not in this list, write it down and check the operating system documentation on screen and in the manual. If you can find no reference to the message, contact a support representative.

### **\*Invalid NVRAM Data**

Problem with NVRAM access. In the unlikely case that you see this message you may have a display problem. You can continue operating but should contact your support representative for more information.

### **\*Keyboard controller error**

The keyboard controller test failed. You may have to replace your keyboard or keyboard controller but may be able to use an external keyboard until then. Contact your support representative.

### **\*Keyboard not detected**

Keyboard not working. You may have to replace your keyboard or keyboard controller but may be able to use an external keyboard until then. Contact your support representative.

### **\*Operating system not found**

Operating system cannot be located on either drive A: or drive C: Enter the setup utility and see if both the fixed disk, and drive A: are properly identified and that the boot sequence is set correctly. Unless you have changed your installation greatly, the operating system should be on drive C:. If the setup utility is correctly set, your hard drive may be corrupted.

### **\*Press <F1> to resume, <F2> to SETUP**

Displayed after any recoverable error message. Press [F1] key to Continue or [F2] key to Enter Setup.

### **\*Real time clock error - Check date and time settings**

Real-time clock fails BIOS test. May require board repair. Contact your support representative.

### **\*Fan error, system shutdown in 30s. Contact Fujitsu tech support**

Fan error occurred. Please contact your support representative.

### **\*Fan error occurred during previous boot.**

Fan error occurred during previous boot. Please contact your support representative.

## Restoring Your System Image and Software

It is very important that you create DVD copies of your Factory Image and Bootable Disc (along with other applicable media such as application discs) before beginning to use your system. To do so, follow the instructions in the “Saving Your Factory Image” and “Creating Backup Images of Factory Image and Discs” sections of this chapter.

### Saving and Recovering Your Factory and System Images

Along with instructions on saving your Factory Image, this document outlines several other important procedures, such as making a system image, restoring your Factory Image and system images, managing your images, and restoring the partitions on a hard drive.



- IN ORDER TO INSTALL APPLICATIONS, MAKE COPIES OF FACTORY AND SYSTEM IMAGES, AND BURN APPLICATION MEDIA AND BOOTABLE DISCS **YOU MUST HAVE AN INTERNAL OR EXTERNALLY CONNECTED WRITABLE DVD DRIVE.**
- IT IS EXTREMELY IMPORTANT THAT YOU COPY YOUR FACTORY IMAGE TO REMOVABLE MEDIA (E.G., DVD DISCS). FAILURE TO DO SO COULD RESULT IN AN INABILITY TO RESTORE THE IMAGE AT A FUTURE DATE.
- WE RECOMMEND THAT YOU USE DVD-R OR DVD+R DISCS FOR YOUR BACKUP, BUT SUPPORTED MEDIA\* FOR IMAGE BACKUPS INCLUDE:  
FOR FACTORY IMAGE, APPLICATION DATA, AND BOOTABLE DISC: DVD-R/+R.  
FOR USER-CREATED BACKUP IMAGE: DVD-R/+R, DVD-RW/+RW, DVD-DL.

\* DEPENDING UPON YOUR OPTICAL DRIVE AND MEDIA FORMAT USED, SOME MEDIA TYPES MAY BE INCOMPATIBLE FOR CREATING IMAGE BACKUPS.



DUE TO CERTAIN LICENSING REQUIREMENTS, SOME THIRD-PARTY APPLICATIONS WILL NEED TO BE INSTALLED SEPARATELY USING THE APPLICATION MEDIA BUNDLED WITH YOUR SYSTEM.

### Saving your Factory Image

When you purchased your new system, a copy of the pre-installed Factory Image was loaded into a hidden partition on your hard disk drive. Having a copy of the original Factory Image available to you means that in the event of system failure, you will be able to restore it to its original state.

To make a copy of the Factory Image to DVD discs, you will need several blank discs (DVD-R or DVD+R discs are recommended) to create the copy. After creating the copy, be sure to label the discs and keep them in a safe place to ensure they do not get damaged.

## Creating Backup Images of Factory Image and Discs



- SOME CONFIGURATIONS OF CERTAIN LIFEBOOK MODELS DO NOT HAVE APPLICATIONS LOADED ON THE HARD DRIVE; RATHER, THEY ARE AVAILABLE AT THE FUJITSU SUPPORT SITE FOR DOWNLOAD. PLEASE TAKE THAT INTO ACCOUNT WHEN READING THE FOLLOWING PROCEDURES.
- ALL USER-CREATED DATA WILL BE DELETED FROM YOUR SYSTEM WHEN THE FACTORY IMAGE IS RESTORED.

Using the [Manage/Change] button, you can create backup images of the Factory Image, Application Disc(s), or Bootable Disc.

- 1 Launch My Recovery from desktop icon
- 2 Select [Manage/Create]-> [Manage Backup Images].  
The Backup Images menu displays a list from which you can choose which type of disc you want to burn: Bootable Disc, Application Discs, or Recovery Disc.
- 3 Select *Recovery Disc*, then click [Make DVD].
- 4 Confirm that the # box has "2" (Note that in some cases the box may display a larger number for the factory image, depending upon its size.)
- 5 The message "Recovery Disc #1 will be created. Enter your comments and the number of media on the DVD". Click [YES] to burn the Factory Image.
- 6 While the copy is being made, a "Writing to the media screen displays a progress bar. When the copy is complete, a dialog will appear informing you of the successful completion of the backup.
- 7 Repeat the process for the remaining images on disc (Bootable Disc and Application Discs). The number of images available may vary depending on your system model; some models do not have the applications loaded on the hard drive.

## Recovering Your Factory Image

In the event you need to restore your original Factory Image, perform the following steps. Note that there may be some third-party applications that need to be installed from the application media bundled with your system.



**ALL USER-CREATED DATA WILL BE DELETED FROM YOUR SYSTEM WHEN THE FACTORY IMAGE IS RESTORED.**

In order to recover your Factory Image, perform the steps outlined in “Running Recovery and Utility from hard disk”.

### Backing Up a System Image

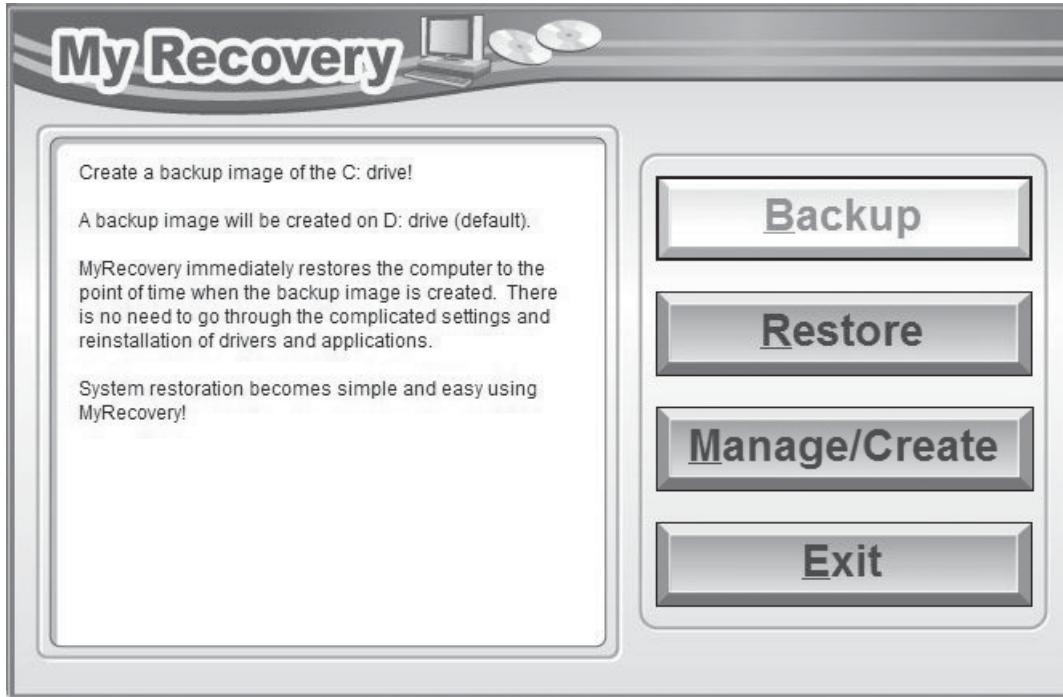
**Optional Step:** Launch the Fujitsu Bonus Apps utility from your desktop, and select the components you wish to install.

**User-Configured System Backups:** On your desktop, there is a **[MyRecovery]** icon that allows you to make backups of your current system image either to another location on your hard drive or on removable media. A system image is the configuration of your C: drive at a particular point of time. You may want to make system image backups occasionally in order to have points to which you can return without having to go all the way back to the Factory Image.



By default, system images are saved in the MyRecovery folder (either on D:\ or external hard drive, depending on your hardware type).

- 1 Click the [MyRecovery] icon on your desktop. The My Recovery screen will appear (See Figure 38). Note that the screen illustrated may vary, depending upon your system configuration.)
- 2 Click the [Backup] button on the MyRecovery screen.
- 3 On the next screen that appears, you can enter up to 200 characters of information about the backup file. This information will help you to identify the image at a later date.



**Figure 38. MyRecovery screen**

- 4** Click the [Next] button and the system will reboot.
- 5** After rebooting, the "Creating of the backup image" window appears, in which you can either click [Create the image on D drive] or [Select the drive] if you want to save to an external hard disk drive. (Note that the [Create the image on D drive] may not be available on all configurations.)
- 6** An image appears showing you graphically how the image will be stored. Click the [Next] button.
- 7** Click [Execute] to start the backup.



## Managing Your Backup Images

With the MyRecovery tool you can also make copies of backup images, archive them on DVD, or delete them from your hard drive.

- 1 To begin, click the [MyRecovery] icon on your desktop.
- 2 Click the [Manage/Create] button in the MyRecovery window.
- 3 When the MyRecovery Manager window appears, click [Manage Backup Images].
- 4 In the next window, a list of your backup images appears. Below the list are three buttons allowing you to [Make DVD], [Copy], or [Delete] your backup images.
- 5 Select an image title from the list, then click the action button you would like to perform.
- 6 Note that you need to have an external disk drive connected for the [Copy] button to be enabled. If you elect to copy the image, you will be prompted to enter the destination. If you are ready to copy, click [OK] to proceed. A progress screen appears while the backup copy is being made.
- 7 Note that if you copy an image to an external hard drive, both the original and the copy will appear in the [Backup Images] window with identical names, dates, and file sizes, but with the different drive letter to distinguish them. Before you select [Make DVD], make sure you have a recordable DVD drive connected and blank DVDs available.

## Using the Recovery and Utility Tools

The Recovery and Utility tools consist of a variety of tools that will help you recover your Factory Image, recover system images, and delete the data from your hard disk.

### Methods for accessing the utilities

Recovery and Utility Tools are preinstalled in a hidden partition by the factory, or they can be accessed by using the bootable disc. Please note that you can delete Recovery and Utility tools from your hard disk drive if you modify the partitions. In this case you will not be able to use the hidden partition for booting to Recovery and Utility Tools, but you will still be able to boot from the Bootable Disc.

## Determining whether Recovery and Utility is pre-loaded

- 1 Turn on or reboot your system. When the Fujitsu logo appears, press [F12] key. The Boot Menu will appear.
- 2 Press the Tab key to select Application menu.
- 3 Check whether the <Recovery and Utility> option is present. If it is not present, it means that the utility must be used from the disc. Proceed to "Running Recovery and Utility from the Bootable Disc" if <Recovery and Utility> is unavailable.

## Running Recovery and Utility from hard disk

- 1 Turn on or reboot your system. When the Fujitsu logo appears, press [F12] key. The Boot Menu will appear.
- 2 Press the Tab key to select Application menu.
- 3 Cursor down to <Recovery and Utility> and press the [Enter] key.
- 4 While the files are being loaded from the disc, a progress bar will appear at the bottom of the screen.
- 5 When the System Recovery Options dialog opens, select a new keyboard layout, if necessary, then click [Next].
- 6 When the Operating System dialog appears, select "Use recovery tools...", then click [Next].
- 7 If necessary, enter your password, then click [OK].
- 8 When System Recovery Options window appears, click on Recovery and Utility.
- 9 The Recovery and Utility screen appears on the screen with three tabs: Diagnostics, Recovery and Utility. Please note that Diagnostics tab is not supported on certain LIFEBOOK/STYLISTIC models when running Recovery and Utility from the hard disk. In order to restore the operating system, please use the middle icon "Restoring the Factory Image (only C:\drive)" under the Recovery tab.

## Running Recovery and Utility from the Bootable disc

To verify/change the boot-up priority (rather than booting-up from the hard drive or an external floppy disk drive), perform the following steps:

- 1 Power on your system. When the Fujitsu logo appears on the screen. press the [F12] key to get to the Boot Menu.
- 2 Highlight the **CD/DVD** option.
- 3 Insert the bootable disc into the drive tray.

- 4 Click [OK]. While the files are being loaded from the disc, a progress bar will appear at the bottom of the screen.
- 5 When the System Recovery Options dialog opens, select a new keyboard layout, if necessary, then click [Next].
- 6 When the Operating System dialog appears, click [Next].
- 7 If necessary, enter your password, then click [OK].
- 8 When System Recovery Options window appears, click on Recovery and Utility.
- 9 When the Recovery and Utility screen appears, three tabs will be present: Diagnostics, Recovery, and Utility.

### Recovery and Utility tabs

**Diagnostics tab:** The Diagnostics tool is designed for use by IT professionals. It is not likely you will need to use this tool. When you select devices from the Diagnosis window then click [Execute], several tests are performed on the selected components.

**Recovery tab:** The Recovery tab contains three tools: Recovering User-Configured System Backups, Restoring the Factory Image (only C: drive), and Restoring the Factory Image (full hard drive recovery). You can use these tools to restore the Factory Image from the hidden partition, restore backup image(s) created by you or images stored on DVD discs, and perform a full hard drive recovery. Please refer to instructions above for details on how to create Factory Image Recovery DVDs, user backup DVDs and system image backup.

**Utility tab:** The Utility tab contains three tools: Hard Disk Data Delete, Restore Recovery and Utility, and Windows Complete PC Restore.

- The **Hard Disk Data Delete** utility is used to delete all data on the hard disk and prevent the data from being reused. **NOTE: Do not use the Hard Disk Data Delete utility unless you are absolutely certain that you want to erase your entire hard disk, including all partitions.**
- **Restore Recovery and Utility** allows you to restore the first hidden partition.
- **Windows Complete PC Restore** utility allows you to restore an image created with Windows Backup and Restore Center. Complete PC Restore will overwrite the data on your hard disk drive.

## Recovering your Factory Image using Recovery and Utility (for new hard drive or non-bootable hard drive)

If you have installed a new hard drive or your hard drive is not bootable, perform the following steps. Note that first you will need to create new partitions on the hard drive, then restore the Factory Image:

- 1 Power on your system. When the Fujitsu logo appears on the screen. press the [F12] key.
- 2 Highlight the **CD/DVD** option.
- 3 Insert the bootable disc in your DVD drive, then click [OK].
- 4 When System Recovery Options window appears, click on <Recovery and Utility>.
- 5 When the System Recovery Options dialog opens, select a new keyboard layout, if necessary, then click [Next].
- 6 When the Operating System dialog appears, click [Next].
- 7 If necessary, enter your password, then click [OK].
- 8 When System Recovery Options window appears, click on Recovery and Utility.
- 9 Click the Recovery tab in the Recovery and Utility window, then click *Restoring the Factory Image* icon.
- 10 Click [Execute].
- 11 Read the precautions, then select "I Agree".
- 12 Click [Next], then click [Execute] to start the recovery process.
- 13 "1. Recovery Disc Check" will be in bold and the rest will be grayed out. Follow the instructions and "Insert the Recovery Disc #1". In some cases, you may prompted to "Insert the Recovery Disc #2", depending upon the size of the Recovery Image
- 14 Click [Next] to begin the check. Click [Next] again when the check is complete.
- 15 "2. Initializing hard disk drive" will be in bold with the message "Please insert the Bootable Disc into your optical drive". Insert the bootable disc. Click [Next] to proceed. A dialog box appears, with a checking disc message.
- 16 "Warning All DATA on the Hard Disk will be completely erased!!!" will appear. Select [OK]. The partition creation process will begin.
- 17 "3. Restoring Factory Image to hidden partition" will be in bold with the message "Please insert the Recovery Disk#1 into the optical drive". Click [Next] to proceed.

After completion, the tool will automatically go back to "3.Restoring Factory Image to hidden partition" but will include the note "Please insert your Third Party Applications Disc or CyberLink DVD, then click [OK]. After installation of each disc, insert the next and continue until all have been installed. If you don't have your Third Party Applications Disc and/or CyberLink DVD, or you have already inserted these discs, please click [Skip] to continue. NOTE: In some cases (products without an optical drive) you will not have a CyberLink DVD".

At this point, you can either:

- Insert Application Disc(s) to restore back to hidden partition, or,
  - Click [Skip] to skip restoring Application disc(s) and continue with restore.
- 18** If you select to insert Application Disc, after copying of application disc(s) to hidden partition is completed, the message will appear again. Repeat inserting application disc(s) until all discs have been copied, then click [Skip] to continue with Restore.
- 19** After clicking [Skip], a confirmation message will appear "If you want to skip copying or you have finished copying, click [OK]. Click [Cancel] to go back to Restoring Factory Image to hidden partition."
- 20** Click [OK] and Restoring Factory Image will begin.
- 21** When restoration is complete, you will see the message "Restoration has been completed. Click [OK] to reboot the computer." Click [OK].

## Downloading Driver Updates

To ensure that you always have the most current driver updates related to your system, you should occasionally access the Fujitsu Software Download Manager (FSDM) utility. The FSDM utility is available from the Fujitsu Support site. FSDM will allow you to view a list of the most current drivers, utilities, and applications to determine whether you have the latest versions. If you have a Windows 7 operating system, you will need to go to the Support Site to download the FSDM Utility: <http://support.fujitsupc.com/CS/Portal/support.do?srch=DOWNLOADS>.

## Chapter 5

# Care and Maintenance

### Caring for your LIFEBOOK Notebook

If you use your Fujitsu LIFEBOOK notebook carefully, you will increase its life and reliability. This section provides some tips for looking after the notebook and its devices.



- DO NOT REMOVE ANY SCREWS FROM THE MEMORY UPGRADE MODULE COMPARTMENT EXCEPT THE ONES SPECIFICALLY SHOWN IN THE DIRECTIONS FOR INSTALLING AND REMOVING THE MEMORY UPGRADE MODULE.
- THE MEMORY UPGRADE MODULE CAN BE SEVERELY DAMAGED BY ELECTROSTATIC DISCHARGE (ESD). TO MINIMIZE RISK TO THE MODULE, OBSERVE THE FOLLOWING PRECAUTIONS:
  - BEFORE HANDLING A MEMORY MODULE, TOUCH A GROUNDED METAL OBJECT TO DISCHARGE STATIC ELECTRICITY BUILT UP IN YOUR BODY.
  - WHEN INSTALLING OR REMOVING A MEMORY MODULE, HOLD IT BY THE EDGE SO AS NOT TO TOUCH ANY CONTACTS OR CHIPS. BE CAREFUL NOT TO TOUCH ANY INTERNAL TERMINALS OR COMPONENTS; THE OIL FROM YOUR FINGERS COULD CAUSE A SHORT TO THE COMPONENTS.
  - BE SURE TO POWER DOWN YOUR SYSTEM BEFORE ADDING OR REMOVING MEMORY MODULES. EVEN IF THE SYSTEM IS IN HIBERNATE OR SLEEP STATES, DATA COULD BE LOST OR THE MEMORY COULD BE DAMAGED IF POWER IS STILL AVAILABLE TO THE SYSTEM.
- Your LIFEBOOK notebook is a durable but sensitive electronic device. Treat it with respect and care.
- Make a habit of transporting it in a suitable carrying case.
- Do not attempt to service the computer yourself. Always follow installation instructions closely.

- Keep it away from food and beverages.
- To protect your notebook from damage and to optimize system performance, be sure to **keep all air all vents unobstructed, clean, and clear of debris**. This may require periodic cleaning, depending upon the environment in which the system is used.
- Do not operate the notebook in areas where the air vents can be obstructed, such as in tight enclosures or on soft surfaces like a bed or cushion.
- If you accidentally spill liquid on your LIFEBOOK notebook:
  - 1 Turn it off.
  - 2 Position it so that the liquid can run out.
  - 3 Let it dry out for 24 hours, or longer if needed.
  - 4 If your notebook will not boot after it has dried out, call your support representative.
- Do not use your Fujitsu LIFEBOOK notebook in a wet environment (near a bathtub, swimming pool).
- Always use the AC adapter and batteries that are approved for your notebook.
- Avoid exposure to sand, dust and other environmental hazards.
- Do not expose your notebook to direct sunlight for long periods of time as temperatures above 140° F (60° C) may damage your notebook.
- Keep the covers closed on the connectors and slots when they are not in use.
- Do not put heavy or sharp objects on the computer.
- If you are carrying your LIFEBOOK notebook in a briefcase, or any other carrying case, make sure that there are no objects in the case pressing on the lid.
- Never position your notebook such that the optical drive is supporting the weight of the notebook.

### **Cleaning your LIFEBOOK notebook**

- Always disconnect the power plug. (Pull the plug, not the cord.)
- Clean your LIFEBOOK notebook with a damp, lint-free cloth. Do not use abrasives or solvents.
- Use a soft cloth to remove dust from the screen. Never use glass cleaners.
- Always shut down the computer, unplug the power adapter, and remove the battery when cleaning or disinfecting the computer exterior, keyboard or LCD display.

## Cleaning guidelines using recommended off-the-shelf cleaners

Computer exterior, computer keyboard

To clean the exterior and keyboard, use one of the following off-the-shelf products:

- Office Depot® #154-616 Notebook Cleaning Kit
- Meridrew Enterprises Klear\_Screen® Wipes
- 3M CL563 Cleaner Wipes

Note: After cleaning with one of these products, gently polish with a dry, soft, lint-free cloth until the solution is no longer visible.

LCD display

To clean the LCD display, use one of the following off-the-shelf products:

- Office Depot® #154-616 Notebook Cleaning Kit
- Meridrew Enterprises Klear\_Screen® Wipes

Wipe the LCD surface gently, allowing it to dry before turning on the computer.

## Disinfecting LIFEBOOK computers

Wipe the surface with a soft cloth wipe and a 50% ethanol solution or use another ethanol-based germicide which has been registered as a hospital disinfectant by the EPA.



- USE OF INCORRECT CLEANERS CAN RESULT IN OPTICAL IMPAIRMENT OF THE LCD AND/OR DAMAGE TO THE COMPUTER. ALWAYS REFER TO THE CLEANER MANUFACTURER'S GUIDELINES AND MATERIAL SAFETY DATA SHEETS FOR PROPER HANDLING AND USE OF THE PRODUCTS.
- NEVER USE AMMONIA, ACIDIC, OR ALKALINE CLEANERS OR ORGANIC CHEMICALS SUCH AS PAINT THINNER, ACETONE, PROPYL OR ISOPROPYL ALCOHOL, OR KEROSENE. IT MAY DAMAGE SURFACE FINISHES AND THE COATING OF THE LCD SCREEN.
- NEVER USE COMPRESSED AIR FOR CLEANING LIFEBOOK PCs.

## Cleaning the dust filter

Your LIFEBOOK is equipped with fans to make air flow inside by pulling in outside air to cool the inside of the system. Depending on the environment in which the system is used, dust and dirt may be pulled in along with the air. Accumulated dust and dirt could impair the function of the system.

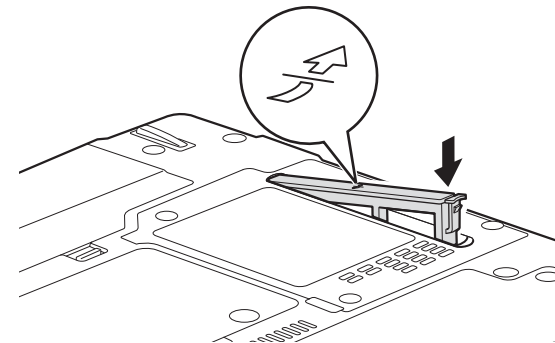
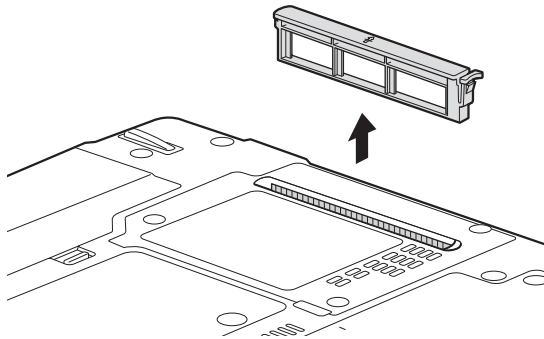
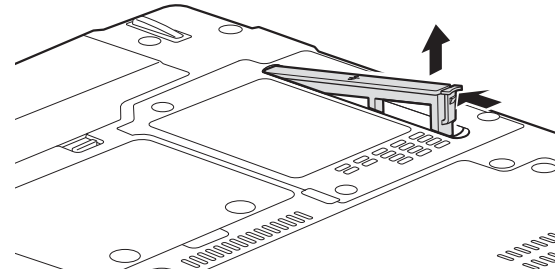




- **REMOVE AC ADAPTER:** BEFORE CLEANING THE FILTER, TURN OFF THE SYSTEM AND PERIPHERALS AND DISCONNECT THE AC ADAPTER.
- **CLEANING THE FILTER:**
  - DO NOT USE DETERGENT
  - AVOID DAMAGING THE FILTER; DAMAGE TO THE FILTER IS NOT COVERED BY WARRANTY.
  - USE A VACUUM CLEANER HANDHELD ATTACHMENT TO CLEAN THE FILTER. METAL OR WOODEN TOOLS COULD DAMAGE THE FILTER.
- **ESD:** BEFORE CLEANING THE FILTER, TOUCH A METAL OBJECT TO DISCHARGE STATIC ELECTRICITY.

To remove the dust filter cover:

- 1 Turn off the computer and disconnect the AC adapter.
- 2 Close the display and turn the system upside down.
- 3 Remove the dust filter access cover by pressing the latch toward the center of the cover and lifting it out (Fig.39).
- 4 Clean the dust filter and the air-cooling duct using a vacuum cleaner attachment (such as an extension wand).



**Figure 39. Removing/installing the dust filter access cover**

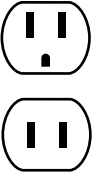



## Storing your LIFEBOOK notebook

- If storing your notebook for a month or longer, turn your LIFEBOOK notebook off, fully charge the battery(s), then remove and store all Lithium ion batteries.
- Store your notebook and batteries separately. If you store your notebook with a battery installed, the battery will discharge, and battery life will be reduced. In addition, a faulty battery might damage your LIFEBOOK.
- Store your LIFEBOOK in a cool, dry location. Temperatures should remain between 5°F (-15°C) and 140°F (60°C).

## Traveling with your LIFEBOOK notebook

- Do not transport your notebook while it is turned on.
- It is recommended that you carry your notebook with you while traveling, rather than checking it in as baggage.
- Always bring your System Recovery CD that came with your notebook when you travel. If you experience system software problems while traveling, you may need it to correct any problems.
- Never put your notebook through a metal detector. Have your notebook hand-inspected by security personnel. You can however, put your notebook through a properly tuned X-ray machine. To avoid problems, place your notebook close to the entrance of the machine and remove it as soon as possible or have your notebook hand-inspected by security personnel. Security officials may require you to turn your notebook On. Make sure you have a charged battery on hand.

- Take the necessary plug adapters if you're traveling overseas. Check the following diagram to determine which plug adapter you'll need or ask your travel agent.

Outlet Type			Location
	United States, Canada, Mexico, parts of Latin America, Japan, Korea, the Philippines, Taiwan		United Kingdom, Ireland, Malaysia, Singapore, parts of Africa
	Russia and the Commonwealth of Independent States (CIS), most of Europe, parts of Latin America, the Middle East, parts of Africa, Hong Kong, India, most of South Asia		China, Australia, New Zealand

## Batteries

### Caring for your Batteries

- Always handle batteries carefully.
- Do not short-circuit the battery terminals (that is, do not touch both terminals with a metal object). Do not carry loose batteries in a pocket or purse where they may mix with coins, keys, or other metal objects. Doing so may cause an explosion or fire.
- Do not drop, puncture, disassemble, mutilate or incinerate the battery.
- Recharge batteries only as described in this manual and only in ventilated areas.
- Do not leave batteries in hot locations for more than a day or two. Intense heat can shorten the life of your battery.
- Do not leave a battery in storage for longer than 6 months without recharging it.

## Increasing Battery Life

- Power your LIFEBOOK notebook through the AC or optional auto/airline adapter whenever possible.
- If your notebook is running on battery power all day, connect it to the AC adapter overnight to recharge the battery.
- Keep brightness to the lowest level comfortable.
- Set the power management for maximum battery life.
- Put your notebook in Sleep mode when it is turned on and you are not actually using it.
- Limit your media drive access.
- Disable the Media Player auto insert notification function.
- Always use fully charged batteries.
- Eject ExpressCards when not in use.

## Media Care

### Caring for your Optical Media

Media discs are precision devices and will function reliably if given reasonable care.

- Always store your media disc in its case when it is not in use.
- Always handle discs by the edges and avoid touching the surface.
- Avoid storing any media discs in extreme temperatures.
- Do not bend media discs or set heavy objects on them.
- Do not spill liquids on media discs.
- Do not scratch media discs.
- Do not get dust on media discs.
- Never write on the label surface with a ballpoint pen or pencil. Always use a felt pen.
- If a media disc is subjected to a sudden change in temperature, cold to warm condensation may form on the surface. Wipe the moisture off with a clean, soft, lint free cloth and let it dry at room temperature. DO NOT use a hair dryer or heater to dry media discs.
- If a disc is dirty, use only a disc cleaner or wipe it with a clean, soft, lint free cloth starting from the inner edge and wiping to the outer edge.

## **Caring for your Optical Drive**

Your optical drive is durable but you must treat it with care. Please pay attention to the following points:

- The drive rotates the compact disc at a very high speed. Do not carry it around or subject it to shock or vibration with the power on.
- Avoid using or storing the drive where it will be exposed to extreme temperatures.
- Avoid using or storing the drive where it is damp or dusty.
- Avoid using or storing the drive near magnets or devices that generate strong magnetic fields.
- Avoid using or storing the drive where it will be subjected to shock or vibration.
- Do not disassemble or dismantle the optical drive.
- Use of a commercially available lens cleaner is recommended for regular maintenance of your drive.

## **Caring for your Cards**

ExpressCards are durable, but you must treat them with care. The documentation supplied with your card will provide specific information, but you should pay attention to the following points:

- To keep out dust and dirt, store cards in their protective sleeves when they are not installed in your LIFEBOOK notebook.
- Avoid prolonged exposure to direct sunlight or excessive heat.
- Keep the cards dry.
- Do not flex or bend the cards, and do not place heavy objects on top of them.
- Do not force cards into the slot.
- Avoid dropping cards, or subjecting them to excessive vibration.

## Chapter 6

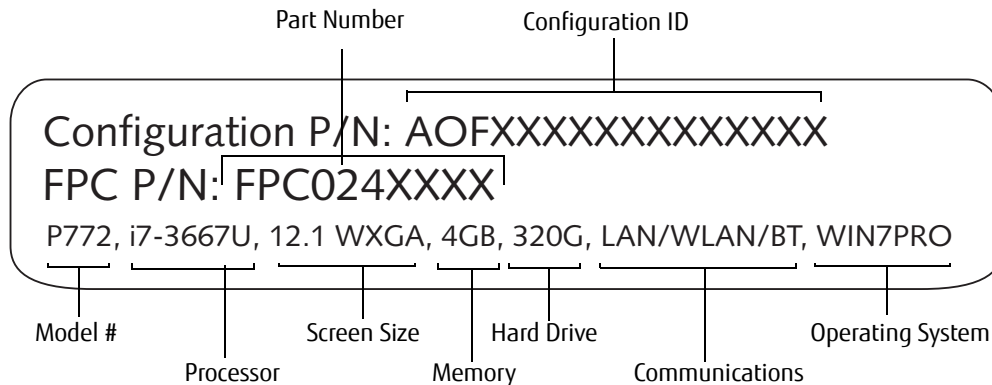
# System Specifications

## Specifications

This section provides the hardware and environmental specifications for your LIFEBOOK notebook. Specifications of particular configurations will vary.

### Configuration Label

The configuration label located on the bottom of your notebook contains specific information regarding the options you've chosen for your notebook. Following is an example configuration label.



## Microprocessor

3rd Generation Intel® Core™ processor family (Refer to the system label to determine the family and speed of your processor).

## Chipset

- Intel QM77 Express Chipset

## Memory

### System Memory

- DDR3-1600 MHz SDRAM dual-channel memory module
- Two DIMM slots; upgradeable to 16 GB of total memory (8 GB x 2)

### Cache Memory

- L1 cache: 32 KB x 2
- L2 cache: 256 KB x 2
- L3 cache: Up to 4 MB on-die (depending upon system processor)

## Video

Built-in color flat-panel WXGA LCD display with simultaneous display capability.

### Video Color and Resolution

#### 12.1" WXGA Screen:

- Internal: 1280 x 800 pixel resolution
- External: 1920 x 1200 pixel resolution, 16M colors
- Simultaneous: 1280 x 800 pixel resolution, 16M colors

### Video RAM

Shared Intel® HD Graphics 4000 controller. Uses Unified Memory Architecture (UMA) built onto motherboard which shares part of main memory for video memory. The amount of shared video memory is determined by the amount of system memory.

## Audio

- Realtek codec ALC269 VB6 with 2-channel High Definition (HD) audio.
- **Headphones:** Stereo headphone/line-out jack, 3.5 mm, 1 V<sub>rms</sub> or less, minimum impedance 32 Ohms
- **Microphone:** Mono microphone jack, 3.5 mm, 100 mV<sub>p-p</sub> or less, minimum impedance 10K Ohms
- Two built-in stereo speakers, 20 mm diameter

## Mass Storage Device Options

### Hard Drive

- Serial ATA2, 300 Mbps data buffer, 2.5", 7 mm / 9.5 mm
- Depending upon your configuration, one of the following hard drives is installed:
  - 5400 rpm: 320 GB or 500 GB
  - 7200 rpm: 320 GB or 500 GB
  - SSD: 128 GB or 256 GB

## Modular Bay Devices

Depending upon the configuration of your system, one of the following may be installed.

- Modular Dual-Layer Multi-Format DVD Writer
- Modular DVD-ROM Drive
- Blu-ray XL Drive
- Modular Projector
- Modular Bay Battery
- Weight Saver

## Features

### Integrated Pointing Device

- Touchpad pointing device with scroll button or optional fingerprint recognition sensor



## Communications

- **Gigabit LAN:** Internal wired Intel® 82579 10/100/1000 Gigabit Ethernet LAN

## Wireless Devices:

- Integrated Intel® Centrino® Advanced-N 6205 (802.11agn 2x2), or, Integrated Intel® Centrino® Wireless-N 2200 (802.11bgn 2x2)
- Optional Bluetooth 4.0 device for wireless personal area network communication

## Optional WebCam

Optional FHD (1920 x 1080 pixel) digital web camera

## Trusted Platform Module

The LIFEBOOK P772 has a Trusted Platform Module (TPM) installed for added system security.

## Theft Prevention Lock

Lock slot for use with security restraint systems.

## Device Ports

### On the LIFEBOOK notebook:

- ExpressCard slot for 34 mm or 54 mm ExpressCard , OR, dedicated smart card slot (requires 3rd-party app)
- Secure Digital (SD) Card slot
- One 15-pin D-SUB connector for VGA external monitor
- Two USB 3.0 (Universal Serial Bus) connectors (one with Anytime USB Charge functionality)
- One USB 2.0 (Universal Serial Bus) connector
- One DC In connector
- One DisplayPort connector, or, one HDMI port, depending upon configuration
- One LAN (RJ-45) connector
- Docking port (144-pin, to dock with port replicator)
- One stereo headphone jack or one stereo headphone/line-out jack, depending upon configuration.
- One mono microphone jack or one stereo microphone/line-in jack, depending upon system configuration.

## **On the Optional Port Replicator:**

- One 15-pin D-SUB connector for VGA external monitor
- Four USB 2.0 connectors for input/output devices
- One e-SATA port
- One LAN (RJ-45) connector
- One DC-in connector
- One DisplayPort connector
- One Digital Video (DVI-D) 24-pin, female interface
- One power/suspend/resume button with LED

## **Keyboard**

Built-in keyboard with all functions of 101 key PS/2 compatible keyboards.

- Total number of keys: 84
- Function keys: F1 through F12
- Feature extension key: Fn
- Two Windows keys: one Start key, one application key
- Key pitch: 19.8 mm
- Key stroke: 2 mm
- Built-in Touchpad pointing device with left and right buttons and scroll button (or optional fingerprint recognition sensor).
- Built-in Palm Rest

## **External Keyboard and/or Mouse Support**

USB-compatible

## **Power**

### **Batteries**

- Standard Lithium ion battery, rechargeable, 6-cell, 63 Wh, or, Optional Lithium ion battery, rechargeable, 6-cell, 72 Wh
- Optional Flexible Bay battery: Lithium ion battery, rechargeable, 3-cell, 28 Wh

### **AC Adapter**

System: Autosensing 100-240V AC, supplying 19V DC, 3.42A, 65W; includes an AC cable  
Port Replicator: Autosensing 100-240V AC, supplying 19V DC, 4.22A, 80W

### **Power Management**

Conforms to ACPI (Advanced Configuration and Power Interface).

## **Dimensions and Weight**

### **Overall Dimensions**

Approximately 11.1"(w) x 8.46"(d) x 1.18"(h) (282 mm x 215 mm x 29.9 mm)

### **Weight**

Approximately 3.13 lb. (1.42 kg) with battery, without optical drive

## **Environmental Requirements**

### **Temperature**

Operating: 41° to 95° F (5° to 35° C); Non-operating: 5° to 140° F (-15° to 60° C)

### **Humidity**

Operating: 20% to 85%, relative, non-condensing; Non-operating; 8% to 85%, relative, non-condensing

### **Altitude**

Operating: 10,000 feet (3,048 m) maximum

## Popular Accessories

For ordering or additional information on Fujitsu accessories please visit our Web site at [www.shopfujitsu.com](http://www.shopfujitsu.com) or call 1-800-FUJITSU.

## Pre-Installed Software

Depending on your operating system, your notebook comes with pre-installed software for playing audio and video files of various formats. In addition there is file transfer software, virus protection software and Power Management software. The following list indicates the pre-installed software on your system.

- Adobe Reader
- Norton Internet Security™ (60-day free trial)
- Roxio Easy Media Creator
- CyberLink PowerDirector
- CyberLink MakeDisc
- Cyberlink PowerDVD
- CyberLink YouCam
- Google Tool Bar
- DTS® Boost™
- OmniPass Fingerprint application
- Microsoft Windows Live Essentials
- Microsoft Office 2010 Starter Edition

## Learning About Your Software

### Tutorials

All operating systems and most application software have tutorials built into them upon installation. We highly recommend that you step through the tutorial before you use an application.

### Manuals

Included with your notebook you will find manuals for your installed operating system and other pre-installed software. Any manuals not included are available online through the help system of the software. We recommend that you review these manuals for general information on the use of these applications.

### Adobe Reader

The Adobe Reader allows you to view, navigate, and print PDF files from across all of the major computing platforms.

### Norton Internet Security

Your system is preinstalled with a free 60-day trial version of Symantec's Norton Internet Security™. Norton Internet Security is a suite of tools designed to protect your LIFEBOOK notebook from computer viruses, hackers, spyware, and spam. It assists in the protection of data currently on your hard disk from destruction or contamination. The trial version is activated upon your acceptance of software license agreement. After 60 days, you will need to purchase a subscription from Symantec to download latest virus, spyware, and spam definitions.

### Roxio Easy Media Creator

Easy Media Creator lets you burn CDs and organize, edit and share digital photos, music, data, and videos.

### CyberLink MakeDisc

CyberLink MakeDisc allows you to burn your videos, slideshows, and TV shows to discs, and to back up data files onto CDs or DVDs.

### CyberLink YouCam

CyberLink YouCam allows you to capture photos or movies on the embedded webcam, add special effects to them, and share them in a variety of formats or via social networks.

## **CyberLink PowerDVD**

CyberLink PowerDVD allows you to play DVDs on your LIFEBOOK notebook.

## **CyberLink PowerDirector**

CyberLink PowerDirector allows you to edit and enhance your videos, and add special effects to them.

## **Google Toolbar**

Google Toolbar lets you to search the Internet quickly, block pop-ups, and perform a variety of other tasks to make your Internet experience easier and more pleasant.

## **DTS® Boost™**

DTS Boost maximizes acoustic power beyond the volume limits of PC hardware, allowing users to create an overall louder or fuller master by limiting the dynamic range and boosting the perceived overall level of the mix.

## **OmniPass Fingerprint application**

The fingerprint sensor uses Softex OmniPass which provides password management capabilities to Microsoft Windows operating systems. OmniPass lets you use a "master password" for all Windows, applications, and on-line passwords, and presents a convenient user interface through which you can securely manage passwords, users, and multiple identities for each user.

## **Microsoft Windows Live Essentials**

Windows Live Essentials is a suite of programs that make it easier and more enjoyable to use your LIFEBOOK. Live Essentials consists of six Live applications: Messenger, Photo Gallery, Writer, Mail, Movie Maker, and Silverlight. Messenger lets you quickly communicate and interact with individuals and groups. Photo Gallery is a flexible application that lets you organize, edit, and share your photos. Writer can be used to generate blog entries, upload videos and photos to your blogs, and publish your entries online. Mail makes it easy for you to manage your email accounts. Movie Maker makes great-looking movies and slideshows from your videos and photos. It's simple to import standard or high definition video and photos, and then have AutoMovie add animations, music, and a title in minutes. Silverlight powers rich application experiences and delivers high quality, interactive video across the Web and mobile devices.

## **Microsoft Office Starter 2010 Edition**

Office Starter 2010 Edition is a software suite containing basic tools for writing letters and reports, tracking family and friends with address books, managing home finances, and creating a home inventory.

Microsoft Office Starter 2010 Edition contains Office Word Starter 2010 for writing, editing, and viewing documents, and Office Excel Starter 2010 for creating and viewing spreadsheets. Office Starter 2010 edition also contains full versions of Office Home & Student 2010, Office Home & Business 2010, and Office Professional 2010. These full-featured suites can be accessed by purchasing a Product Key Card.

## **Operating System**

Microsoft Windows 7 Professional Edition



# Glossary

---

## **AC Adapter**

A device which converts the AC voltage from a wall outlet to the DC voltage needed to power your LIFEBOOK notebook.

## **Access point**

Wireless network device used to bridge wireless and wired network traffic.

## **ACPI**

Advanced Configuration and Power Interface

## **Active-Matrix Display**

A type of technology for making flat-panel displays which has a transistor or similar device for every pixel on the screen.

## **Ad Hoc Mode**

Ad Hoc Mode refers to a wireless network architecture where wireless network connectivity between multiple computers is established without a central wireless network device, typically known as Access Points. Connectivity is accomplished using only client devices in a peer-to-peer fashion. For details, refer to "Ad Hoc Mode" on page 142

## **ADSL**

Asymmetric Digital Subscriber Line. Technology for transporting high bit-rate services over ordinary phone lines.



## **Auto/Airline Adapter**

A device which converts the DC voltage from an automobile cigarette lighter or aircraft DC power outlet to the DC voltage needed to power your LIFEBOOK notebook.

## **BIOS**

Basic Input-Output System. A program and set of default parameters stored in ROM which tests and operates your LIFEBOOK notebook when you turn it on until it loads your installed operating system from disk. Information from the BIOS is transferred to the installed operating system to provide it with information on the configuration and status of the hardware.

## **Bit**

An abbreviation for binary digit. A single piece of information which is either a one (1) or a zero (0).

## **bps**

An abbreviation for bits per second. Used to describe data transfer rates.

## **Boot**

To start-up a computer and load its operating system from disk, ROM or other storage media into RAM.

## **Bus**

An electrical circuit which passes data between the CPU and the sub-assemblies inside your LIFEBOOK notebook.

## **Byte**

8 bits of parallel binary information.

## **Cache Memory**

A block of memory built into the micro-processor which is much faster to access than your system RAM and used in specially structured ways to make your overall data handling time faster.

## **Channel**

Range of narrow-band frequencies used by the WLAN device to transmit data. IEEE802.11b/g - 11 channels, 22 MHz wide channels.

**COM Port**

Abbreviation for communication port. This is your serial interface connection.

**Command**

An instruction which you give your operating system. Example: run a particular application or format a floppy disk.

**Configuration**

The combination of hardware and software that makes up your system and how it is allocated for use.

**Data**

The information a system stores and processes.

**DC**

Direct current. A voltage or current that does not fluctuate periodically with time.

**Default Value**

A pre-programmed value to be used if you fail to set your own.

**DHCP**

Dynamic Host Configuration Protocol. A protocol used to automatically acquire parameters required for the communication, such as IP address. The sender of IP address is called a DHCP server, and the receiver is called a DHCP client.

**DIMM**

Dual-in-line memory module.

**Disk Drive**

The hardware which spins the disk and has the heads and control circuitry for reading and writing the data on the disk.

**DMA**

Direct Memory Access. Special circuitry for memory to memory transfers of data which do not require CPU action.

## **DMI**

Desktop Management Interface. A standard that provides PC management applications with a common method of locally or remotely querying and configuring PC computer systems, hardware and software components, and peripherals.

## **DNS**

Domain Name System. A function to control the association between the IP address and the name assigned to the computer. If you do not know the IP address but if you know the computer name, you can still communicate to that computer.

## **Driver**

A computer program which converts application and operating system commands to external devices into the exact form required by a specific brand and model of device in order to produce the desired results from that particular equipment.

## **DVMT**

Dynamic Video Memory Technology. A video memory architecture that increases the efficiency of the motherboard by using innovative memory utilization..

## **ECP**

Extended Capability Port. A set of standards for high speed data communication and interconnection between electronic devices.

## **Encryption Key (Network Key)**

Data encryption key used to encrypt message text and for computing message integrity checks. Data encryption protects data from unauthorized viewing.

This device uses the same encryption key to encode and decode the data, and the identical encryption key is required between the sender and receiver.

**ESD**

Electrostatic Discharge. The sudden discharge of electricity from a static charge which has built-up slowly. Example: the shock you get from a doorknob on a dry day or the sparks you get from brushing hair on a dry day.

**FCC**

Federal Communication Commission.

**GB**

Gigabyte. One billion bytes.

**Hard drive**

A spinning platter of magnetic data storage media where the platter is very stiff.

**I/O**

Input/Output. Data entering and leaving your notebook in electronic form.

**I/O Port**

The connector and associated control circuits for data entering and leaving your notebook in electronic form.

**IDE**

Intelligent Drive Electronics. A type of control interface for a hard drive which is inside the hard drive.

**IEEE802.11a**

Wireless LAN standard that supports a maximum data rate of 54 Mbps. 802.11a devices operate in the 5 GHz lower and middle UNII bands.

**IEEE802.11b**

Wireless LAN standard that supports a maximum data rate of 11 Mbps. 802.11b devices operate in the 2.4 GHz ISM band.

## **IEEE802.11g**

Wireless LAN standard that supports a maximum data rate of 54 Mbps. 802.11g devices operate in the 2.4 GHz ISM band.

## **IEEE802.11n**

Wireless LAN standard using multiple data streams supporting a maximum data rate of 450 Mbps. 802.11n devices operate in both the 2.4 GHz and 5 GHz UNII bands and are backward compatible with 802.11g and 802.11a.

## **Infrastructure**

A name of a wireless LAN configuration. This type of communication uses an access point. Another type of communication is called Ad Hoc.

## **IP Address**

An identifier for a computer or device on a TCP/IP network. Networks using the TCP/IP protocol route messages based on the IP address of the destination. The format of an IP address is a 32-bit numeric address written as four numbers separated by periods. Each number can be zero to 255. For example, 1.160.10.240 could be an IP address.

Within an isolated network, you can assign IP addresses at random as long as each one is unique. However, connecting a private network to the Internet requires using registered IP addresses (called Internet addresses) to avoid duplicates.

The four numbers in an IP address are used in different ways to identify a particular network and a host on that network. Three regional Internet registries -- ARIN, RIPE NCC and APNIC -- assign Internet addresses from the following three classes.

Class A - supports 16 million hosts on each of 126 networks

Class B - supports 65,000 hosts on each of 16,000 networks

Class C - supports 254 hosts on each of 2 million networks

The number of unassigned Internet addresses is running out, so a new classless scheme called CIDR is gradually replacing the system based on classes A, B, and C and is tied to adoption of IPv6.

## **IRQ**

Interrupt Request. An acronym for the hardware signal to the CPU that an external event has occurred which needs to be processed.

## **KB**

Kilobyte. One thousand bytes.

## **LAN**

Local Area Network. An interconnection of computers and peripherals within a single limited geographic location which can pass programs and data amongst themselves.

## **LCD**

Liquid Crystal Display. A type of display which makes images by controlling the orientation of crystals in a crystalline liquid.

## **Lithium ion Battery**

A type of rechargeable battery which has a high power-time life for its size and is not subject to the memory effect as Nickel Cadmium batteries.

## **LPT Port**

Line Printer Port. A way of referring to parallel interface ports because historically line printers were the first and latter the most common device connected to parallel ports.

## **MAC Address**

Media Access Control Address. A unique physical address of a network card. For Ethernet, the first three bytes are used as the vendor code, controlled and assigned by IEEE. The remaining three bytes are controlled by each vendor (preventing overlap), therefore, every Ethernet card is given a unique physical address in the world, being assigned with a different address from other cards. For Ethernet, frames are sent and received based on this address.

## **MB**

Megabyte. One million bytes.

**Megahertz**

1,000,000 cycles per second.

**Memory**

A repository for data and applications which is readily accessible to your LIFEBOOK notebook's CPU.

**MHz**

Megahertz.

**Monaural**

A system using one channel to process sound from all sources.

**MTU**

Maximum Transmission Unit

The maximum data size that can be transferred at a time through the Internet or other networks. You can set a smaller MTU size to obtain successful communication, if you have difficulty transferring data due to the fact that the maximum size is too large.

**Network key**

Data that is used for encrypting data in data communication. The personal computer uses the same network key both for data encryption and decryption, therefore, it is necessary to set the same network key as the other side of communication.

**Network name (SSID: Service Set Identifier )**

When a wireless LAN network is configured, grouping is performed to avoid interference or data theft. This grouping is performed with "Network name (SSID)". In order to improve security, the network key is set allowing no communication unless "Network name (SSID)" coincides with the network key.

**NTSC**

National TV Standards Commission. The standard for TV broadcast and reception for the USA.

## **Open system authentication**

Null authentication method specified in the 802.11 standard that performs no authentication checks on a wireless client before allowing it to associate.

## **Operating System**

A group of control programs that convert application commands, including driver programs, into the exact form required by a specific brand and model of microprocessor in order to produce the desired results from that particular equipment.

## **Partition**

A block of space on a hard drive which is set aside and made to appear to the operating system as if it were a separate disk, and addressed by the operating system accordingly.

## **PCMCIA**

PCMCIA is a trademark of the Personal Computer Memory Card International Association. The Personal Computer Memory Card International Association is an organization that sets standards for add-in cards for personal computers.

## **Peripheral Device**

A piece of equipment which performs a specific function associated with but not integral to a computer. Examples: a printer or a CD-ROM drive.

## **Pitch (keyboard)**

The distance between the centers of the letter keys of a keyboard.

## **Pixel**

The smallest element of a display, a dot of color on your display screen. The more pixels per area the clearer your image will appear.



## **POST**

Power On Self Test. A program which is part of the BIOS which checks the configuration and operating condition of your hardware whenever power is applied to your notebook. Status and error messages may be displayed before the operating system is loaded. If the self test detects failures that are so serious that operation can not continue, the operating system will not be loaded.

## **PPPoE**

Point to Point Protocol over Ethernet. A protocol for Ethernet, using a Point-to-Point Protocol (PPP), which is used for connection on the phone line.

## **Program**

An integrated set of coded commands to your computers telling your hardware what to do and how and when to do it.

## **Protocol**

Procedures and rules use to send and receive data between computers.

- Method of sending and receiving data
- Process used to handle communication errors

Conditions required for communication are organized in procedures for correct transfer of information.

## **RAM**

Random Access Memory. A hardware component of your LIFEBOOK notebook that holds binary information (both program and data) as long as it has the proper power applied to it.

## **RAM Module**

A printed circuit card with memory and associated circuitry which allows the user to add additional memory to the computer without special tools.

## **Reset / Restart**

The act of reloading the operating system. A reset or restart erases all information stored in RAM.

## **Resume**

To proceed after interruption. In your notebook this refers to returning to active operation after having been in one of the suspension states.

## **ROM**

Read Only Memory. A form of memory in which information is stored by physically altering the material. Data stored in this way can not be changed by your notebook and does not require power to maintain it.

## **SDRAM**

Synchronous Dynamic Random Access Memory.

## **Serial Port**

A connection to another device through which data is transferred one bit at a time on a single wire with any other wires only for control of the device not for transfer of data.

## **Shared key authentication**

802.11 network authentication method in which the AP sends the client device a challenge text packet that the client must then encrypt with the correct WEP key and return to the AP. If the client has the wrong key or no key, authentication will fail and the client will not be allowed to associate with the AP. Shared key authentication is not considered secure, because a hacker who detects both the clear-text challenge and the same challenge encrypted with a WEP key can decipher the key.

## **Sleep**

To make inoperative for a period of time. Your LIFEBOOK notebook uses various suspension states to reduce power consumption and prolong the charge of your battery.

## **SSID**

Service Set Identifier, a 32-character unique identifier attached to the header of packets sent over a WLAN that acts as a password when a mobile device tries to connect to the BSS. The SSID differentiates one WLAN from another, so all access points and all devices attempting to connect to a specific WLAN must use the same SSID. A device will not be permitted to join the BSS unless it can provide the unique SSID. Because the SSID is broadcast in plain text, it does not supply any security to the network.

## **Status Indicator**

A display which reports the condition of some portion of your hardware. On your LIFEBOOK notebook this is an LED screen just above the keyboard.

## **Subnet mask**

TCP-IP network is controlled by being divided into multiple smaller networks (subnets). IP address consists of the subnet address and the address of each computer. Subnet mask defines how many bits of IP address comprise the subnet address. The same value shall be set among computers communicating with each other.

## **System Clock**

An oscillator of fixed precise frequency which synchronizes the operation of the system and is counted to provide time of day and date.

## **TCP/IP**

Transmission Control Protocol/Internet Protocol. A standard Internet protocol that is most widely used.

## **UL**

Underwriters Laboratories – An independent organization that tests and certifies the electrical safety of devices.

## **USB**

Universal Serial Bus. Standard that allows you to simultaneously connect up to 127 USB devices such as game pads, pointing devices, printers, and keyboards to your computer.

## **Wi-Fi Compatible**

Wi-Fi (Wireless Fidelity) Identifies that the product has passed the interoperability test, supplied by the WECA (Wireless Ethernet Compatibility Alliance), which guarantees the interoperability of wireless IEEE 802.11 LAN products. For more information on the Wi-Fi standard, go to the WECA Web site at: [www.wirelessethernet.com](http://www.wirelessethernet.com).

## **WLAN**

Wireless Local Area Network. A wireless interconnection of computers and peripherals within a single limited geographic location which can pass programs and data amongst themselves.

## Regulatory Information

### Notice

Changes or modifications not expressly approved by Fujitsu could void this user's authority to operate the equipment.

### FCC NOTICES

#### Notice to Users of Radios and Television

This equipment has been tested and found to comply with the limit for class B digital devices, pursuant to parts 15 of the FCC Rules.

These limits are designed to provide reasonable protection against harmful interference in a residential installation. This equipment generates, uses, and can radiate radio frequency energy and, if not installed and used in accordance with the instructions, may cause harmful interference to radio communications. However, there is no guarantee that interference will not occur in a particular installation. If this equipment does cause harmful interference to radio or television reception, which can be determined by turning the equipment off and on, the user is encouraged to try to correct the interference by one or more of the following measures:

- Reorient or relocate the receiving antenna.
- Increase the separation between the equipment and receiver.
- Connect the equipment into an outlet that is on a different circuit than the receiver.
- Consult the dealer or an experienced radio/TV technician for help.

Shielded interconnect cables must be employed with this equipment to ensure compliance with the pertinent RF emission limits governing this device.

#### Notice to Users of the US Telephone Network

This equipment complies with Part 68 of the FCC rules, and the requirements adopted by ACTA. On the bottom of this equipment is a label that contains, among other information, the FCC registration number and ringer equivalence number (REN) for this equipment; or a product identifier in the format US:AAAEQ##TXXXX. If requested, this information or number must be provided to the telephone company.

This equipment is designed to be connected to the telephone network or premises wiring using a standard jack type USOC RJ11C. A plug and jack used to connect this equipment to the premises wiring and telephone network must comply with the applicable FCC Part 68 rules and requirements adopted by the ACTA. A compliant telephone cord and modular plug is provided with this product. It is designed to be connected to a compatible modular jack that is also compliant.

The ringer equivalent number (REN) of this equipment is 0.1B as shown on the label. The REN is used to determine the number of devices that may be connected to a telephone line. Excessive RENs on a telephone may result in the devices not ringing in response to an incoming call. In most but not all areas, the sum of RENs should not exceed five (5.0). To be certain of the number of devices that may be connected to a line, as determined by the total RENs, contact the local telephone company.

If this equipment causes harm to the telephone network, the telephone company will notify you in advance that temporary discontinuance of service may be required. But if advance notice isn't practical, the telephone company will notify the customer as soon as possible. Also, you will be advised of your right to file a complaint with the FCC if you believe it is necessary.

The telephone company may make changes in its facilities, equipment, operations or procedures that could effect the operation of the equipment. If this happens the telephone company will provide advance notice in order for you to make necessary modifications to maintain uninterrupted service.

If trouble is experienced with this equipment, for repair or warranty information, please refer to the manual or contact Fujitsu America, Inc. Customer Service. If the equipment is causing harm to the telephone network, the telephone company may request that you disconnect the equipment until the problem is resolved.

The equipment cannot be used on public coin service provided by the telephone company. Connection to party line service is subject to state tariffs. (Contact the state public utility commission, public service commission or corporation commission for information).

If your home has specially wired alarm equipment connected to the telephone line, ensure the installation of this computer does not disable your alarm equipment. If you have any questions about what will disable alarm equipment, consult your telephone company or a qualified installer.

The Telephone Consumer Protection Act of 1991 makes it unlawful for any person to use a computer or other electronic device to send any message via a telephone fax machine unless such message clearly contains in a margin at the top or bottom of each transmitted page or on the first page of the transmission, the date and time it is sent and an identification of the business or other entity, or other individual sending the message and the telephone number of the sending machine or such business, other entity, or individual.

## **DOC (INDUSTRY CANADA) NOTICES**

### **Notice to Users of Radios and Television**

This Class B digital apparatus meets all requirements of Canadian Interference-Causing Equipment Regulations. CET appareil numérique de la class B respecte toutes les exigences du Règlement sur le matériel brouilleur du Canada.

### **Notice to Users of the Canadian Telephone Network**

NOTICE: This equipment meets the applicable Industry Canada Terminal Equipment Technical Specifications. This is confirmed by the registration number. The abbreviation, IC, before the registration number signifies that registration was performed based on a Declaration of Conformity indicating that Industry Canada technical specifications were met. It does not imply that Industry Canada approved the equipment.

Before connecting this equipment to a telephone line the user should ensure that it is permissible to connect this equipment to the local telecommunication facilities. The user should be aware that compliance with the certification standards does not prevent service degradation in some situations.

Repairs to telecommunication equipment should be made by a Canadian authorized maintenance facility. Any repairs or alterations not expressly approved by Fujitsu or any equipment failures may give the telecommunication company cause to request the user to disconnect the equipment from the telephone line.

NOTICE: The Ringer Equivalence Number (REN) for this terminal equipment is 0.1B. The REN assigned to each terminal equipment provides an indication of the maximum number of terminals allowed to be connected to a telephone interface. The termination on an interface may consist of any combination of devices subject only to the requirement that the sum of the Ringer Equivalence Numbers of all the devices does not exceed five.



FOR SAFETY, USERS SHOULD ENSURE THAT THE ELECTRICAL GROUND OF THE POWER UTILITY, THE TELEPHONE LINES AND THE METALLIC WATER PIPES ARE CONNECTED TOGETHER. USERS SHOULD NOT ATTEMPT TO MAKE SUCH CONNECTIONS THEMSELVES BUT SHOULD CONTACT THE APPROPRIATE ELECTRIC INSPECTION AUTHORITY OR ELECTRICIAN. THIS MAY BE PARTICULARLY IMPORTANT IN RURAL AREAS.

## **Avis Aux Utilisateurs Du Réseau Téléphonique Canadien**

AVIS: Le présent matériel est conforme aux spécifications techniques d'Industrie Canada applicables au matériel terminal. Cette conformité est confirmée par le numéro d'enregistrement. Le sigle IC, placé devant le numéro d'enregistrement, signifie que l'enregistrement s'est effectué conformément à une déclaration de conformité et indique que les spécifications techniques d'Industrie Canada ont été respectées. Il n'implique pas qu'Industrie Canada a approuvé le matériel.

Avant de connecter cet équipement à une ligne téléphonique, l'utilisateur doit vérifier s'il est permis de connecter cet équipement aux installations de télécommunications locales. L'utilisateur est averti que même la conformité aux normes de certification ne peut dans certains cas empêcher la dégradation du service.

Les réparations de l'équipement de télécommunications doivent être effectuées par un service de maintenance agréé au Canada. Toute réparation ou modification, qui n'est pas expressément approuvée par Fujitsu, ou toute défaillance de l'équipement peut entraîner la compagnie de télécommunications à exiger que l'utilisateur déconnecte l'équipement de la ligne téléphonique.

AVIS: L'indice d'équivalence de la sonnerie (IES) du présent matériel est de 0.1B. L'IES assigné à chaque dispositif terminal indique le nombre maximal de terminaux qui peuvent être raccordés à une interface téléphonique. La terminaison d'une interface peut consister en une combinaison quelconque de dispositifs, à la seule condition que la somme d'indices d'équivalence de la sonnerie de tous les dispositifs n'excède pas 5.



POUR ASSURER LA SÉCURITÉ, LES UTILISATEURS DOIVENT VÉRIFIER QUE LA PRISE DE TERRE DU SERVICE D'ÉLECTRICITÉ, LES LIGNES TÉLPHONIQUES ET LES CONDUITES D'EAU MÉTALLIQUES SONT CONNECTÉES ENSEMBLE. LES UTILISATEURS NE DOIVENT PAS TENTER D'ÉTABLIR CES CONNEXIONS EUX-MÊMES, MAIS DOIVENT CONTACTER LES SERVICES D'INSPECTION D'INSTALLATIONS ÉLECTRIQUES APPROPRIÉS OU UN ÉLECTRICIEN. CECI PEUT ÊTRE PARTICULIÈREMENT IMPORTANT EN RÉGIONS RURALES.



# Appendix A: WLAN User's Guide

---



## FCC Regulatory Information

Please note the following regulatory information related to the optional wireless LAN device.

### Regulatory Notes and Statements

#### Wireless LAN, Health and Authorization for use

Radio frequency electromagnetic energy is emitted from Wireless LAN devices. The energy levels of these emissions, however, are far much less than the electromagnetic energy emissions from wireless devices such as mobile phones. Wireless LAN devices are safe for use by consumers because they operate within the guidelines found in radio frequency safety standards and recommendations. The use of Wireless LAN devices may be restricted in some situations or environments, such as:

- On board an airplane, or
- In an explosive environment, or
- In situations where the interference risk to other devices or services is perceived or identified as harmful.

In cases in which the policy regarding use of Wireless LAN devices in specific environments is not clear (e.g., airports, hospitals, chemical/oil/gas industrial plants, private buildings), obtain authorization to use these devices prior to operating the equipment.

#### Regulatory Information/Disclaimers

Installation and use of this Wireless LAN device must be in strict accordance with the instructions included in the user documentation provided with the product. Any changes or modifications made to this device that are not expressly approved by the manufacturer may void the user's authority to operate the equipment. The manufacturer is not responsible for any radio or television interference caused by unauthorized modification of this device, or the substitution or attachment of connecting cables and equipment other than those specified by the manufacturer. It is the responsibility of the user to correct any interference caused by such unauthorized modification, substitution or attachment. The manufacturer and its authorized resellers or distributors will assume no liability for any damage or violation of government regulations arising from failure to comply with these guidelines. This device must not be co-located or operated in conjunction with any other antenna or transmitter.



**For IEEE 802.11a Wireless LAN:** For operation within 5.15~5.25 GHz frequency range, it is restricted to indoor environments, and the antenna of this device must be integral.

## **Federal Communications Commission statement**

This device complies with Part 15 of FCC Rules.

Operation is subject to the following two conditions: (1) This device may not cause interference, and, (2) This device must accept any interference, including interference that may cause undesired operation of this device.

## **FCC Interference Statement**

This equipment has been tested and found to comply with the limits for a Class B digital device, pursuant to Part 15 of the FCC Rules. These limits are designed to provide reasonable protection against harmful interference in a residential installation. This equipment generates, uses, and can radiate radio frequency energy. If not installed and used in accordance with the instructions, it may cause harmful interference to radio communications. However, there is no guarantee that interference will not occur in a particular installation.

If this equipment does cause harmful interference to radio or television reception, which can be determined by turning the equipment off and on, the user is encouraged to try and correct the interference by one or more of the following measures:

- 1** Reorient or relocate the receiving antenna.
- 2** Increase the distance between the equipment and the receiver.
- 3** Connect the equipment to an outlet on a circuit different from the one the receiver is connected to.
- 4** Consult the dealer or an experienced radio/TV technician for help.

## **FCC Radio Frequency Exposure statement**

The available scientific evidence does not show that any health problems are associated with using low power wireless devices. There is no proof, however, that these low power wireless devices are absolutely safe. Low power wireless devices emit low levels of radio frequency energy (RF) in the microwave range while being used. Whereas high levels of RF can produce health effects (by heating tissue), exposure to low-level RF that does not produce heating effects causes no known adverse health effects. Many studies of low-level RF exposure have not found any biological effects. Some studies have suggested that some biological effects might occur, but such findings have not been confirmed by additional research. The wireless LAN radio device has been tested and found to comply with FCC radiation exposure limits set forth for an uncontrolled equipment and meets the FCC radio frequency (RF) Exposure Guidelines in Supplement C to OET65.

## **Export restrictions**

This product or software contains encryption code which may not be exported or transferred from the US or Canada without an approved US Department of Commerce export license. This device complies with Part 15 of FCC Rules., as well as ICES 003 B / NMB 003 B. Operation is subject to the following two conditions: (1) this device may not cause harmful interference, and (2) this device must accept any interference received, including interference that may cause undesirable operation. Modifications not expressly authorized by Fujitsu America, Incorporated, may invalidate the user's right to operate this equipment.

## **Canadian Notice**

The device for the 5150 - 5250 MHz band is only for indoor usage to reduce the potential for harmful interference to co-channel mobile satellite systems.

The maximum antenna gain of 6 dBi permitted (for devices in the 5250 - 5350 MHz, 5470 - 5725 MHz and 5725 - 5825 MHz bands) to comply with the e.i.r.p. limit as stated in A9.2 of RSS210.

In addition, users are cautioned to take note that high power radars are allocated as primary users (meaning they have priority) of 5250 - 5350 MHz and 5650 - 5850 MHz and these radars could cause interference and/or damage to LE-LAN devices.

## Before Using the Optional Wireless LAN

This manual describes the procedures required to properly set up and configure the optional integrated Wireless LAN Mini-PCI device (referred to as "WLAN device" in the rest of the manual). Before using the WLAN device, read this manual carefully to ensure its correct operation. Keep this manual in a safe place for future reference.

### Wireless LAN Devices Covered by this Document

This document is applicable to systems containing one of the following devices:

- Integrated Intel® Centrino® Advanced-N 6205 (802.11agn 2x2)
- Integrated Intel® Centrino® Wireless-N 2200 (802.11bgn 2x2)

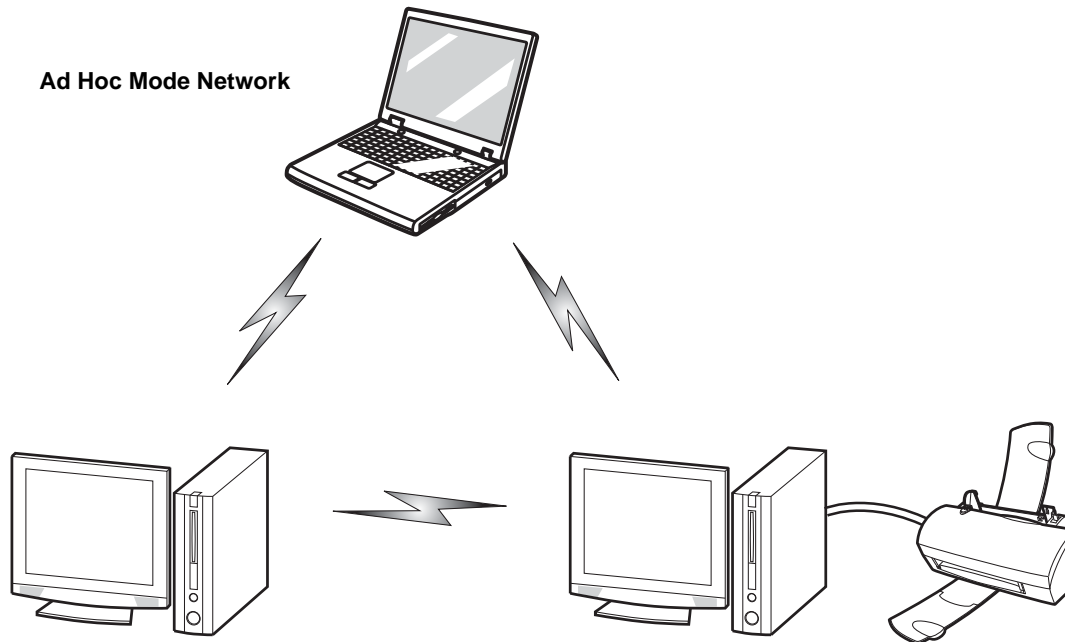
### Characteristics of the WLAN Device

- The WLAN devices are Mini-PCI cards attached to the main board of the mobile computer.
- The WLAN devices operate in license-free RF bands, eliminating the need to procure an FCC operating license. The WLAN operates in the 2.4GHz Industrial, Scientific, and Medical (ISM) RF band and the lower, middle, and upper bands of the 5GHz Unlicensed National Information Infrastructure (UNII) bands.
- The WLAN devices are capable of four operating modes, IEEE802.11a, IEEE802.11b, IEEE802.11g, and IEEE802.11n
- The WLAN device is Wi-Fi certified and operate (as applicable) at a the maximum data rate of 450 Mbps in IEEE802.11n mode (300 Mbps in this configuration); 54 Mbps in IEEE802.11g mode; and 11 Mbps in IEEE802.11b mode.
- The WLAN devices support the following encryption methods - WEP, TKIP, CKIP, and AES encryption.
- The Wireless LAN devices are compliant with the following standards: WPA, WPA2, CCX1.0, CCX2.0, CCX3.0, and CCX4.0.

## Wireless LAN Modes Using this Device

### Ad Hoc Mode

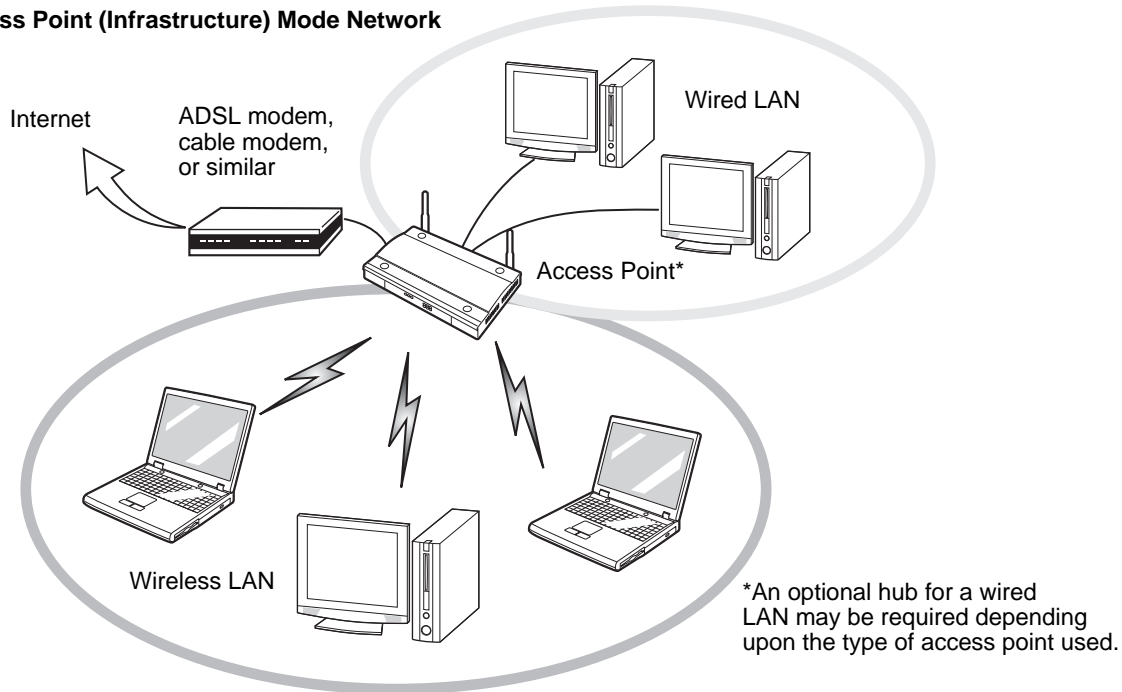
"Ad Hoc Mode" refers to a wireless network architecture where wireless network connectivity between multiple computers is established without a central wireless network device, typically known as Access Point(s). Connectivity is accomplished using only client devices in a peer-to-peer fashion. That is why Ad Hoc networks are also known as peer-to-peer networks. Ad Hoc networks are an easy and inexpensive method for establishing network connectivity between multiple computers. Ad Hoc mode requires that the SSID, network authentication, and encryption key settings are identically configured on all computers in the Ad Hoc network.



## Access Point (Infrastructure) Mode

Infrastructure mode refers to a wireless network architecture in which devices communicate with wireless or wired network devices by communicating through an Access Point. In infrastructure mode, wireless devices can communicate with each other or with a wired network. Corporate wireless networks operate in infrastructure mode because they require access to the WLAN in order to access services, devices, and computers (e.g., file servers, printers, databases).

**Access Point (Infrastructure) Mode Network**



## How to Handle This Device

The WLAN device is an optional device that may come pre-installed in your mobile computer. Under normal circumstances, it should not be necessary for you to remove or re-install it. The Operating System that your mobile computer comes with has been pre-configured to support the WLAN device.

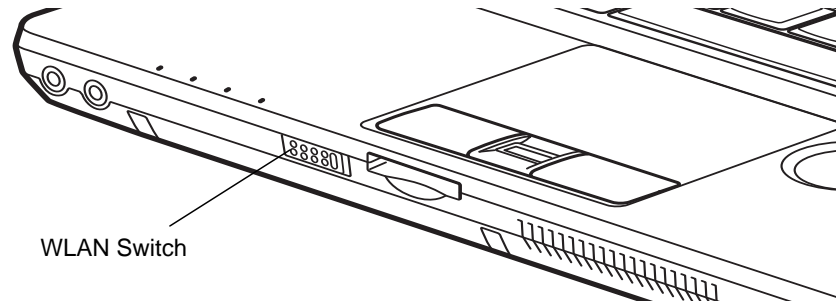
- Integrated Intel Centrino wireless LAN devices support IEEE802.11a, IEEE802.11b, IEEE802.11g, and IEEE802.11n.
- The WLAN device operates in the 2.4 GHz ISM band and the 5 GHz lower, middle, and upper UNII bands.
- Microwave ovens may interfere with the operation of WLAN devices since they operate in the same 2.4 GHz frequency range as IEEE802.11b/g/n devices. Interference by microwaves does not occur with IEEE802.11a radio which operates in the 5 GHz RF band.
- Wireless devices that transmit in the 2.4 GHz range may interfere with operation of WLAN devices in IEEE802.11b/g/n modes. Symptoms of interference include reduced throughput, intermittent disconnects, and many frame errors. It is HIGHLY recommended that these interfering devices be powered off to ensure proper operation of the WLAN device.

## Deactivating/Disconnecting the WLAN Device

Disconnecting the WLAN device may be desired in certain circumstances (to extend battery life) or where certain environments require it (i.e. hospitals, clinics, airplanes, etc.). The WLAN device can be deactivated by using the Wireless Device On/Off Switch, and it can be disconnected in Windows using the WLAN icon in the system tray (Note that disconnecting via the icon in the system tray does not turn off the radio; it continues to transmit and receive even though it's not connected.).

## Deactivation Using the Wireless Device On/Off Switch

The WLAN device can be deactivated quickly and efficiently by toggling the Wireless Device On/Off Switch to the Off position. The Wireless Device On/Off switch has no effect on non-Wireless LAN models.



**Figure 40. Wireless Device On/Off Switch Location**

## Disconnection Using the Icon in the Taskbar

Note that disconnecting via the icon in the system tray does not turn off the radio; it continues to transmit and receive even though it's not connected.

- 1 Right-click the WLAN icon in the taskbar at the bottom right of your screen.
- 2 Choose Disconnect from a network.

## Activating the WLAN Device

Activation of the WLAN device can be accomplished using the same methods as the deactivation process

- Using the Wireless Device On/Off Switch
- In Windows, by right-clicking the WLAN icon then clicking "Connect to a network"

## Configuring the Wireless LAN

The optional WLAN device can be configured to establish wireless network connectivity using the software that is built into Windows. Support for most industry standard security solutions is contained in this software.

Pre-defined parameters will be required for this procedure. Please consult with your network administrator for these parameters:

### Configuring the WLAN Using Windows

- 1 Click the Start button, then select Control Panel.
- 2 If the Control Panel is not in icon view, select either Large or Small icons from the View by: dropdown list. Click the Network and Sharing Center icon.
- 3 Select **Connect to a network** in the left panel.
- 4 Select one of the listed networks, then click [Connect].
- 5 Follow the directions that appear.
- 6 In the event you require assistance, go to the Network and Sharing Center window (Start -> Control Panel -> Network and Sharing Center), and type in relevant keywords in the Search box.

### Connecting to a Network

After you have configured your computer, you can connect to an active network by performing the following steps:

- 1 Click on the WLAN icon in the system tray.
- 2 Select "Connect to a network".
- 3 Select a network from the list that appears, and click the [Connect] button.

### Connection to the network

After you have configured your computer, you can connect to an active network by clicking on the Wireless Network icon in the system tray:



# Troubleshooting the WLAN

## Troubleshooting

Causes and countermeasures for troubles you may encounter while using your wireless LAN are described in the following table.

Problem	Possible Cause	Possible Solution
Unavailable network connection	Incorrect network name (SSID) or network key	<p><b>Ad hoc connection:</b> verify that the network names (SSID's) and network keys (WEP) of all computers to be connected have been configured correctly. SSID's and WEP key values must be identical on each machine.</p> <p><b>Access Point (Infrastructure) connection:</b> set the network name (SSID) and network key to the same values as those of the access point.</p> <p>Set the Network Authentication value identically to that of the Access Point. Please consult your network administrator for this value, if necessary.</p>
	Weak received signal strength and/or link quality	<p>Ad hoc connection: Retry connection after shortening the distance to the destination computer or removing any obstacles for better sight.</p> <p>Access Point (Infrastructure) connection: Retry connection after shortening the distance to the access point or removing any obstacles for better sight.</p>
	The WLAN device was deactivated or is disabled	Check if the wireless switch is turned On. Go to Start > <b>Control Panel</b> , and double-click on <b>Windows Mobility Center</b> . If the wireless network is off, click the [Turn wireless on] button.
	The computer to be connected is turned off	Check if the computer to be connected is turned ON.
	Incorrectly configured network settings	Recheck the configuration of your network settings.

<b>Problem</b>	<b>Possible Cause</b>	<b>Possible Solution</b>
Unavailable network connection	RF interference from Access Points or other wireless networks	The use of identical or overlapping RF channels can cause interference with the operation of the WLAN device. Change the channel of your Access Point to a channel that does not overlap with the interfering device.
(continued)	Wireless network authentication has failed	Re-check your Network Authentication, Encryption, and Security settings. Incorrectly configured security settings such as an incorrectly typed WEP key, a mis-configured LEAP username, or an incorrectly chosen authentication method will cause the LAN device to associate but not authenticate to the wireless network.
	Incorrect IP address configuration	This only applies to networks using static IP addresses. Please contact your network administrator for the correct settings.

# WLAN Specifications

## Specifications

Item	Specification
Type of network	Integrated Intel® Centrino® Advanced-N 6205 and Integrated Intel® Centrino® Wireless-N 2200 devices conform to IEEE 802.11a, 802.11b/g, and 802.11n, Wi-Fi based*.
Transfer rate	(Automatic switching) IEEE802.11 a and g: 54 Mbps max. data rate; IEEE802.11n: 300 Mbps max. data rate
Active frequency	<ul style="list-style-type: none"><li>• 802.11n: 2.4 GHz or 5 GHz</li><li>• 802.11b/g: 2400~2473 MHz</li><li>• 802.11a: 4900 ~ 5850 MHz</li></ul>
Typical operating distances**	<ul style="list-style-type: none"><li>• 802.11a: 40 ft. (12 m) @ 54 Mbps; 300 ft. (91 m) @ 6 Mbps</li><li>• 802.11b: 100 ft. (30 m) @ 11 Mbps; 300 ft. (91 m) @ 1 Mbps</li><li>• 802.11g: 100 ft. (30 m) @ 54 Mbps; 300 ft. (91 m) @ 1 Mbps</li><li>• 802.11n: Estimated double the operating distance of 802.11g and 802.11a in their respective frequencies.</li></ul>
Number of channels	<ul style="list-style-type: none"><li>• 802.11a: 8 independent channels</li><li>• 802.11b/g: 11 channels, 3 non-overlapping channels</li><li>• 802.11n: Channel bonding takes two of the non-overlapping 20MHz channels and combines it into one 40MHz channel. It is actually 12 non-overlapping channels with channel bonding and 24 without. Also, it is 1 non-overlapping channel in 2.4GHz when channel bonding is used</li></ul>
Security	Encryption Types - WEP, TKIP, AES***, WPA 1.0 and WPA 2.0 compliant Encryption Key lengths Supported: 64 bits and 128 bits
Maximum recommended number of computers to be connected over wireless LAN (during ad hoc connection)	10 units or less ****

- \* "Wi-Fi based" indicates that the interconnectivity test of the organization which guarantees the interconnectivity of wireless LAN (Wi-Fi Alliance) has been passed.
- \*\* The communication ranges shown above will increase or decrease depending on factors such as number of walls, reflective material, or interference from external RF sources.
- \*\*\* Encryption with network key (WEP) is performed using the above number of bits, however, users can set 40 bits/ 104 bits after subtracting the fixed length of 24 bits.
- \*\*\*\* Depending on practical environments, the allowable number of computers to be connected may be decreased.

## Using the Bluetooth Device

The Integrated Bluetooth module is an optional device available for Fujitsu mobile computers.

### What is Bluetooth?

Bluetooth technology is designed as a short-range wireless link between mobile devices, such as laptop computers, phones, printers, and cameras. Bluetooth technology is used to create Personal Area Networks (PANs) between devices in short-range of each other.



SLIDING THE WIRELESS DEVICE SWITCH ON THE FRONT OF THE SYSTEM WILL TURN BOTH THE OPTIONAL WIRELESS LAN AND BLUETOOTH DEVICES ON AND OFF AT THE SAME TIME. TO ENABLE OR DISABLE BLUETOOTH INDIVIDUALLY, PERFORM THE FOLLOWING STEPS:

- GO TO START > **ALL PROGRAMS** > **BLUETOOTH**.
- CLICK ON **OPTIONS** UNDER THE BLUETOOTH MENU AND CLICK ON THE **BLUETOOTH RADIO POWER** BUTTON.
- CLICK [OK].

### Where to Find Information About Bluetooth

The Bluetooth module contains a robust Help user's guide to assist you in learning about operation of the Bluetooth device.

To access the Help file, click [Start] -> All Programs, and click on Bluetooth, then select User's Guide.

For additional information about Bluetooth Technology, visit the Bluetooth Web site at: [www.bluetooth.com](http://www.bluetooth.com).

### FCC Radiation Exposure Statement

This equipment complies with FCC radiation exposure limits set forth for an uncontrolled environment. The Bluetooth antenna is exempt from minimum distance criteria due to its low power.

The transmitters in this device must not be co-located or operated in conjunction with any other antenna or transmitter.

## **Canadian Notice**

To prevent radio interference to the licensed service, this device is intended to be operated indoors and away from windows to provide maximum shielding. Equipment (or its transmit antenna) that is installed outdoors is subject to licensing.

## **Warranty**

Users are not authorized to modify this product. Any modifications invalidate the warranty.

This equipment may not be modified, altered, or changed in any way without signed written permission from Fujitsu. Unauthorized modification will void the equipment authorization from the FCC and Industry Canada and the warranty.

# Appendix B: Fingerprint Sensor Device

## Introducing the Optional Fingerprint Sensor Device

Your system may have an optional fingerprint sensor device below the Touchpad, between the left and right buttons (Figure 41). This also serves as a scroll button.

With a fingerprint sensor, you can avoid having to enter a username and password every time you want to:

- Log onto Windows
- Resume from sleep mode
- Cancel a password-protected screen saver
- Log into homepages that require a username and password

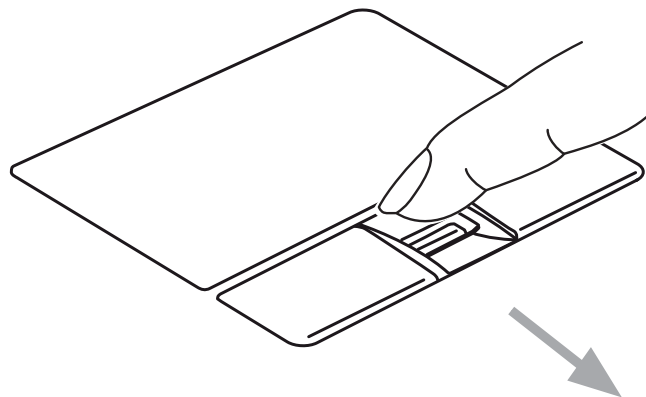


Figure 41. Fingerprint Sensor



ALTHOUGH THE SYSTEM MAY HAVE A FINGERPRINT SENSOR IN PLACE OF A SCROLL BUTTON, THE FINGERPRINT SENSOR CAN BE USED FOR SCROLLING. SIMPLY MOVE YOUR FINGERPRINT OVER THE SENSOR THE SAME AS YOU WOULD USE A SCROLL BUTTON.

After you have “enrolled” - or registered - your fingerprint, you can simply swipe your fingertip over the sensor for the system recognize you.

The fingerprint sensor uses Softex OmniPass which provides password management capabilities to Microsoft Windows operating systems. OmniPass enables you to use a "master password" for all Windows, applications, and on-line passwords.

OmniPass requires users to authenticate themselves using the fingerprint sensor before granting access to the Windows desktop. This device results in a secure authentication system for restricting access to your computer, applications, web sites, and other password-protected resources.

OmniPass presents a convenient graphical user interface, through which you can securely manage passwords, users, and multiple identities for each user.



CERTAIN MODELS SUPPORT PRE-BOOT AUTHENTICATION OR PBA. PBA ALLOWS THE USER TO LOG IN PRIOR TO WINDOWS' OWN AUTHENTICATION MECHANISM. A PBA ENVIRONMENT SERVES AS AN EXTENSION OF THE BIOS OR BOOT FIRMWARE AND ALLOWS FOR A MORE SECURE ENVIRONMENT EXTERNAL TO THE OPERATING SYSTEM.

## Getting Started

This section guides you through the preparation of your system for the OmniPass fingerprint recognition application. You will be led through the OmniPass installation process. You will also be led through the procedure of enrolling your first user into OmniPass.

## Installing OmniPass

If OmniPass has already been installed on your system, skip this section and go directly to “User Enrollment” on page 157. You can determine whether OmniPass has already been installed by checking to see if the following are present:

- The gold key-shaped OmniPass icon in the system tray at the bottom right of the screen.
- The Softex program group in the **Programs** group of the **Start** menu



## System Requirements

The OmniPass application requires space on your hard drive; it also requires specific Operating Systems (OS's). The minimum requirements are as follows:

- Windows XP Professional or later operating system
- At least 35 MB available hard disk space

## Installing the OmniPass Application

If OmniPass is already installed on your system, go to "User Enrollment" on page 157. Otherwise continue with this section on software installation.



FOR INSTALLATION, OMNIPASS REQUIRES THAT THE USER INSTALLING OMNIPASS HAVE ADMINISTRATIVE PRIVILEGES TO THE SYSTEM. IF YOUR CURRENT USER DOES NOT HAVE ADMINISTRATIVE PRIVILEGES, LOG OUT AND THEN LOG IN WITH AN ADMINISTRATOR USER BEFORE PROCEEDING WITH OMNIPASS INSTALLATION.

To install OmniPass on your system you must:

- 1** Insert the installation media for the OmniPass application into the appropriate drive. If you are installing from CD-ROM or DVD-ROM, you must find and launch the OmniPass installation program (setup.exe) from the media.
- 2** Follow the directions provided in the OmniPass installation program. Specify a location to which you would like OmniPass installed. It is recommended that you NOT install OmniPass in the root directory (e.g. C:\).
- 3** Once OmniPass has completed installation you will be prompted to restart you system. Once your system has rebooted you will be able to use OmniPass. If you choose not to restart immediately after installation, OmniPass will not be available for use until the next reboot.
- 4** The installation program automatically places an icon (Softex OmniPass) in the Windows Control Panel as well as a golden key shaped icon in the taskbar.

## Verifying Information about OmniPass

After you have completed installing OmniPass and restarted your system, you may wish to check the version of OmniPass on your system.

To check the version information of OmniPass:

- 1 From the Windows Desktop, double-click the key-shaped OmniPass icon in the taskbar (usually located in the lower right corner of the screen),  
or,  
Click the **Start** button, select **Settings**, and click **Control Panel**. Double-click **Softex OmniPass** in the Control Panel, and the OmniPass Control Center will appear. If it does not appear, then the program is not properly installed,  
or,  
Click the **Start** button, select **Programs**, and from the submenu select the **Softex** program group, from that submenu click **OmniPass Control Center**.
- 2 Select the **About** tab at the top of the OmniPass Control Panel. The About tab window appears with version information about OmniPass.

## Uninstalling OmniPass



FOR UNINSTALLATION, OMNIPASS REQUIRES THAT THE USER UNINSTALLING OMNIPASS HAVE ADMINISTRATIVE PRIVILEGES TO THE SYSTEM. IF YOUR CURRENT USER DOES NOT HAVE ADMINISTRATIVE PRIVILEGES, LOG OUT AND THEN LOG IN WITH AN ADMINISTRATOR USER BEFORE PROCEEDING WITH OMNIPASS UNINSTALLATION.

To remove the OmniPass application from your system:

Select "Omnipass", then click "uninstall"

- 1 Click **Start** on the Windows taskbar. Select **All Programs**, and then **Control Panel**.
- 2 Double-click **Programs and Features**.
- 3 Select **OmniPass**, and then click **Uninstall**.

- 4 Follow the directions to uninstall the OmniPass application.
- 5 Once OmniPass has finished uninstalling, reboot your system when prompted.

## User Enrollment

Before you can use any OmniPass features you must first enroll a user into OmniPass.

### Master Password Concept

Computer resources are often protected with passwords. Whether you are logging into your computer, accessing your email, e-banking, paying bills online, or accessing network resources, you often have to supply credentials to gain access. This can result in dozens of sets of credentials that you have to remember.

During user enrollment a "master password" is created for the enrolled user. This master password "replaces" all other passwords for sites you register with OmniPass.

**Example:** John installs OmniPass on his home computer and enrolls an OmniPass user with username "John\_01" and password "freq14". He then goes to his webmail site to log onto his account. He inputs his webmail credentials as usual (username "John\_02" and password "lifebook"), but instead of clicking [Submit], he directs OmniPass to **Remember Password**. Now whenever he returns to that site, OmniPass will prompt him to supply access credentials.

John enters his OmniPass user credentials ("John\_01" and "freq14") in the OmniPass authentication prompt, and is allowed into his webmail account. He can do this with as many sites or password-protected resources he likes, and he will gain access to all those sites with his OmniPass user credentials ("John\_01" and "freq14"). This is assuming he is accessing those sites with the system onto which he enrolled his OmniPass user. OmniPass does not actually change the credentials of the password protected resource. If John were to go to another computer without he OmniPass account to access his webmail, he would need to enter his original webmail credentials ("John\_02" and "lifebook") to gain access. If he attempts his OmniPass user credentials on a system other than a system he's enrolled on, he will not gain access.



THE ENROLLMENT PROCEDURE ASSUMES YOU HAVE NO HARDWARE AUTHENTICATION DEVICES OR ALTERNATE STORAGE LOCATIONS THAT YOU WISH TO INTEGRATE WITH OMNIPASS. IF YOU DESIRE SUCH FUNCTIONALITY, CONSULT THE APPROPRIATE SECTIONS OF THIS DOCUMENT.

## Basic Enrollment

The Enrollment Wizard will guide you through the process of enrolling a user. Unless you specified otherwise, after OmniPass installation the Enrollment Wizard will launch on Windows login. If you do not see the Enrollment Wizard, you can bring it up by clicking **Start** on the Windows taskbar; select **Programs**; select **Softex**; click **OmniPass Enrollment Wizard**.

- 1 Click **Enroll** to proceed to username and password verification. By default, the OmniPass Enrollment Wizard enters the credentials of the currently logged in Windows user.
- 2 Enter the password you use to log in to Windows. This will become the “master password” for this user. In most cases, the **Domain:** value will be your Windows computer name. In corporate environments, or when accessing corporate resources, the **Domain:** may not be your Windows computer name. Click [Next] to continue.
- 3 In this step OmniPass captures your fingerprint. Refer to “Enrolling a Fingerprint” on page 158 for additional information.
- 4 Next, choose how OmniPass notifies you of various events. We recommend you keep **Taskbar Tips** on **Beginner mode taskbar tips** and **Audio Tips** on at least **Prompt with system beeps only** until you get accustomed to how OmniPass operates. Click [Next] to proceed with user enrollment. You will then see a Congratulations screen indicating your completion of user enrollment.
- 5 Click [Done] to exit the OmniPass Enrollment Wizard. You will be asked if you’d like to log in to OmniPass with your newly enrolled user; click [Yes].

## Enrolling a Fingerprint

Enrolling a fingerprint will increase the security of your system and streamline the authentication procedure.

You enroll fingerprints in the OmniPass Control Center. With an OmniPass user logged in, double-click the system tray OmniPass icon. Select the **User Settings** tab and click **Enrollment** under the **User Settings** area. Click **Enroll Authentication Device** and authenticate at the authentication prompt to start device enrollment.

- 1 During initial user enrollment, you will be prompted to select the finger you wish to enroll. Fingers that have already been enrolled will be marked by a green check. The finger you select to enroll at this time will be marked by a red arrow. OmniPass will allow you re-enroll a finger. If you choose a finger that has already been enrolled and continue enrollment, OmniPass will enroll the fingerprint, overwriting the old fingerprint. Select a finger to enroll and click [Next].
- 2 It is now time for OmniPass to capture your selected fingerprint. It may take a several capture attempts before OmniPass acquires your fingerprint. Should OmniPass fail to acquire your fingerprint, or if the capture screen times out, click [Back] to restart the fingerprint enrollment process.

Your system has a “swipe” fingerprint sensor. A swipe sensor is small and resembles a skinny elongated rectangle. To capture a fingerprint, gently swipe or pull your fingertip over the sensor (starting at the second knuckle) **towards yourself**. Swiping too fast or too slow will result in a failed capture. The **Choose Finger** screen has a [Practice] button; click it to practice capturing your fingerprint. When you are comfortable with how your fingerprint is captured, proceed to enroll a finger.

- 3 3. Once OmniPass has successfully acquired the fingerprint, the **Verify Fingerprint** screen will automatically appear. To verify your enrolled fingerprint, place your fingertip on the sensor and hold it there as if you were having a fingerprint captured. Successful fingerprint verification will show a green fingerprint in the capture window and the text **Verification Successful** under the capture window.
- 4 After you finish enrolling and verifying your fingerprints, you have the option to **Enable PBA with enrolled finger**. If you enable this option, then you must choose two fingers to save in PBA. If you have enrolled successfully, the **Finger Enrollment Status in PBA** screen will state Finger saved in PBA successfully.



IF YOU ENABLE PBA ON YOUR SYSTEM, YOU MUST SET THE SUPERVISOR PASSWORD AND PASSWORD ON BOOT SETTINGS. SEE “HARD DISK DRIVE PASSWORDS” ON PAGE 47 FOR ADDITIONAL INFORMATION.

## Using OmniPass

You are now ready to begin using OmniPass. Used regularly, OmniPass will streamline your authentications.

### Password Replacement

You will often use the password replacement function. When you go to a restricted access website (e.g., your bank, your web-based email, online auction or payment sites), you are always prompted to enter your login credentials. OmniPass can detect these prompts and you can teach OmniPass your login credentials. The next time you go to that website, you can authenticate with your fingerprint to gain access.

### OmniPass Authentication Toolbar

After installing OmniPass and restarting, you will notice a dialog you have not seen before at Windows Logon. This is the OmniPass Authentication Toolbar, and it is displayed whenever the OmniPass authentication system is invoked. The authentication system may be invoked frequently: during Windows Logon, during OmniPass Logon, when unlocking your workstation, when resuming from sleep or hibernate, when unlocking a password-enabled screensaver, during password replacement for remembered site or application logins. When you see this toolbar, you are being prompted to authenticate.

The **Logon Authentication** window indicates what OmniPass-restricted function you are attempting. Icons in the lower left (fingerprint and key) show what authentication methods are available to you. Selected methods are highlighted while unselected methods are not. When you click the icon for an unselected authentication method, the authentication prompt associated with that method is displayed.

When prompted to authenticate, you must supply the appropriate credentials: an enrolled finger for the fingerprint capture window or your master password for the master password prompt (the key icon).

### Remembering a Password

OmniPass can remember any application, GUI, or password protected resource that has a password prompt.

Using the following procedure, you can store a set of credentials into OmniPass. These credentials will then be linked to your "master password" or fingerprint.

Go to a site that requires a login (username and password), but *do not log in yet*. At the site login prompt, enter your username and password in the prompted fields, but *do not enter the site* (do not hit [Enter], [Submit], [OK], or Login). Right-click the OmniPass system tray icon and select **Remember Password** from the submenu. The Windows arrow cursor will change to a golden key OmniPass cursor. Click the OmniPass cursor in the login prompt area, but don't click [Login] or [Submit].

### Associating a Friendly Name

After clicking the OmniPass key cursor near the login prompt, OmniPass will prompt you to enter a “friendly name” for this site. You should enter something that reminds you of the website, the company, or the service you are logging into. In its secure database, OmniPass associates this friendly name with this website.

### Additional Settings for Remembering a Site

When OmniPass prompts you to enter a “friendly name” you also have the opportunity to set how OmniPass authenticates you to this site. There are three effective settings for how OmniPass handles a remembered site.

The default setting is **Automatically click the “OK” or “Submit” button for this password protected site once the user is authenticated**. With this setting, each time you navigate to this site OmniPass will prompt you for your master password or fingerprint authentication device. Once you have authenticated with OmniPass, you will automatically be logged into the site.

Less secure is the option to **Automatically enter this password protected site when it is activated. Do not prompt for authentication**. Check the upper box to get this setting, and each time you navigate to this site OmniPass will log you into the site without prompting you to authenticate.



THIS SETTING IS MORE CONVENIENT IN THAT WHENEVER YOU GO TO A SITE REMEMBERED WITH THIS SETTING, YOU WILL BYPASS ANY AUTHENTICATION PROCEDURE AND GAIN INSTANT ACCESS TO THE SITE. BUT SHOULD YOU LEAVE YOUR SYSTEM UNATTENDED WITH YOUR OMNI-PASS USER LOGGED IN, ANYONE USING YOUR SYSTEM CAN BROWSE TO YOUR PASSWORD PROTECTED SITES AND GAIN AUTOMATIC ACCESS.

If you uncheck both boxes in **Settings for this Password Site**, OmniPass will prompt you for your master password or fingerprint authentication device. Once you have authenticated with OmniPass your credentials will be filled in to the site login prompt, but you will have to click the website [OK], [Submit], or [Login] button to gain access to the site.

Click **Finish** to complete the remember password procedure. The site location, the credentials to access the site, and the OmniPass authentication settings for the site are now stored in the OmniPass secure database. The OmniPass authentication settings (**Settings for this Password Site**) can always be changed in **Vault Management**.

### Logging in to a Remembered Site

Whether or not OmniPass prompts you to authenticate when you return to a remembered site is determined by **Settings for this Password Site** and can be changed in **Vault Management**.

The following cases are applicable to using OmniPass to login to: Windows, remembered web sites, and all other password protected resources.

### With Master Password

Once you return to a site you have remembered with OmniPass, you may be presented with a master password prompt. Enter your master password and you will be allowed into the site.

### Logging into Windows with a Fingerprint Device

When logging into Windows with a fingerprint device, the fingerprint capture window will now appear next to the Windows Login screen. Place your enrolled fingertip on the sensor to authenticate. You will be simultaneously logged into Windows and OmniPass. The capture window will also appear if you have used **Ctrl-Alt-Del** to lock a system, and the fingerprint device can be used to log back in as stated above.



IF A MACHINE IS LOCKED AND OMNIPASS DETECTS A DIFFERENT USER LOGGING BACK IN WITH A FINGERPRINT, THE FIRST USER WILL BE LOGGED OUT AND THE SECOND USER LOGGED IN.

### Password Management

OmniPass provides an interface that lets you manage your passwords. To access this GUI, double-click the OmniPass key in the system tray. Click **Vault Management**; you will be prompted to authenticate. Once you gain access to **Vault Management**, click **Manage Passwords** under **Vault Settings**. You will see the **Manage Passwords** interface, with a list of friendly names.



You can view the credentials stored for any remembered website by highlighting the desired resource under **Password Protected Dialog** and clicking **Unmask Values**. Should a password be reset, or an account expire, you can remove stored credentials from OmniPass. Highlight the desired resource under **Password Protected Dialog** and click **Delete Page**. You will be prompted to confirm the password deletion.

The two check boxes in **Manage Passwords** govern whether OmniPass prompts you to authenticate or directly logs you into the remembered site.

OmniPass will overwrite an old set of credentials for a website if you attempt to use **Remember Password** on an already remembered site.

The exception to the above rule is when resetting the Windows password. If your password is reset in Windows, the next time you login to Windows, OmniPass will detect the password change and prompt you to "Update" or "Reconfirm" the password with OmniPass. Enter your new Windows password in the prompt and click **OK**. Your OmniPass "master password" will still be your Windows password.

## OmniPass User Identities

Identities allow OmniPass users to have multiple accounts to the same site (e.g., *bob@biblomail.com* and *boballen@biblomail.com*). If OmniPass did not provide you identities, you would be limited to remembering one account per site.

To create and manage identities, double-click the OmniPass key in the system tray. Click **Vault Management**; OmniPass will prompt you to authenticate. Once you gain access to **Vault Management**, click **Manage Identities** under **Vault Settings**. You can only manage the identities of the currently logged in OmniPass user

To add a new identity, click **New Identity** or double-click **Click here to add a new identity**. Name the new identity and click [OK], then click [Apply]. You can now switch to the new identity and start remembering passwords.

To delete an identity, highlight the identity you want to delete and click [Delete Identity], then click [Apply].



WHEN YOU DELETE AN IDENTITY, ALL OF ITS ASSOCIATED REMEMBERED SITES AND PASSWORD PROTECTED DIALOGS ARE LOST.

To set the default identity, highlight the identity you want as default and click [Set as Default]; click [Apply] to ensure the settings are saved. If you log in to OmniPass with a fingerprint device, you will automatically be logged in to the default identity for that OmniPass user. You can choose the identity with which you are logging in if you login using "master password".

### Choosing User Identity during Login

To choose your identity during login, type your username in the **User Name:** field. Press [Tab] and see that the **Domain:** field self-populates. Click the **Password:** field to bring the cursor to it, and you will see the pull-down menu in the **Identity:** field. Select the identity to login as, then click **OK**.

### Switch User Identity

To switch identities at any time, right-click the OmniPass system tray icon and click **Switch User Identity** from the submenu. The **Switch Identity** dialog will appear. Select the desired identity and then click **OK**.

### Identities and Password Management

On the **Manage Passwords** interface of the **Vault Management** tab of the OmniPass Control Center, there is a pull-down selection box labeled, **Identity**. This field lets you choose which identity you are managing passwords for. When you select an identity here, only those password protected dialogs that are associated with that identity are shown. You can perform all the functions explained in "Password Management" on page 162.

### Configuring OmniPass

This section gives an overview of both the Export/Import function and the OmniPass Control Center.

### Exporting and Importing Users



YOU CANNOT IMPORT A USER INTO OMNIPASS IF THERE ALREADY IS A USER WITH THE SAME NAME ENROLLED IN OMNIPASS.

Using OmniPass Control Center, you can export and import users in and out of OmniPass. The export process backs up all remembered sites, credentials, and enrolled fingerprints for an OmniPass user. All OmniPass data for a user is backed up to a single encrypted database file. During the import process, the Windows login of the exported user is required. If the proper credentials cannot be supplied, the user profile will not be imported.



- YOU SHOULD PERIODICALLY EXPORT YOUR USER PROFILE AND STORE IT IN A SAFE PLACE. IF ANYTHING HAPPENS TO YOUR SYSTEM, YOU CAN IMPORT YOUR OMNIPASS PROFILE TO A NEW SYSTEM AND HAVE ALL YOUR REMEMBERED SETTINGS AND FINGERPRINTS INSTANTLY.
- YOU DON'T FORGET THE WINDOWS LOGIN CREDENTIALS WHEN EXPORTING. WHEN YOU EXAMINE THE IMPORTATION, YOU ARE PROMPTED FOR AUTHENTICATION. THE CREDENTIALS THAT WILL ALLOW A USER PROFILE TO BE IMPORTED ARE THE WINDOWS LOGIN CREDENTIALS OF THE EXPORTED USER. THEY ARE THE CREDENTIALS THAT HAD TO BE SUBMITTED WHEN THE USER PROFILE WAS EXPORTED. YOU WILL NEED USER NAME, PASSWORD, AND DOMAIN.

## Exporting an OmniPass User Profile

To export a user, open the OmniPass Control Center, and click **Import/Export User** under **Manage Users**.

Click **Exports an OmniPass user profile**. OmniPass will prompt you to authenticate. Upon successfully authentication, you must name the OmniPass user profile and decide where to save it. An .opi file is generated, and you should store a copy of it in a safe place.

This .opi file contains all your user specific OmniPass data, and it is both encrypted and password protected. This user profile does NOT contain any of your encrypted data files.

## Importing an OmniPass User Profile

To import an OmniPass user open the OmniPass Control Center, and click **Import/Export User** under **Manage Users**. Click **Imports a new user into OmniPass** and then select **OmniPass Import/Export File (\*.opi)** and click **Next**. OmniPass will then prompt you to browse for the file you had previously exported (.opi file). When you select the .opi file for importation, OmniPass will prompt you for authentication. The credentials that will allow a user profile to be imported are the Windows login credentials of the exported user. They are the credentials that had to be submitted when the user profile was exported. You will need User Name, Password, and Domain. If you don't remember the value for Domain, in a PC or SOHO environment Domain should be your computer name.

OmniPass will notify you if the user was successfully imported.

## Things to Know Regarding Import/Export

- Assume you export a local Windows User profile from OmniPass. You want to import that profile to another machine that has OmniPass. Before you can import the profile, a Windows user with the same login credentials must be created on the machine importing the profile.

**Example:** I have a Windows user with the username "Tom" and the password "Sunshine" on my system. I have enrolled Tom into OmniPass and remembered passwords. I want to take all my passwords to new system. I export Tom's OmniPass user profile. I go to my new system and using the Control Panel I create a user with the username "Tom" and the password "Sunshine". I can now successfully import the OmniPass user data to the new system.

- If you export an OmniPass-only user, you can import that user to any computer running OmniPass, provided that a user with that name is not already enrolled in OmniPass.
- If you attempt to import a user profile who has the same name as a user already enrolled in OmniPass, the OmniPass import function will fail.

## OmniPass Control Center

This section will serve to explain functions within the OmniPass Control Center that weren't explained earlier.

You can access the OmniPass Control Center any of three ways:

- Double-click the golden OmniPass key shaped icon in the Windows taskbar (typically in the lower-right corner of the desktop)
- Click the **Start** button; select the **Programs** group; select the **Softex** program group; and click the **OmniPass Control Center** selection.
- Open the Windows **Control Panel** (accessible via [Start] > **Settings** > **Control Panel**) and double-click the **Softex OmniPass** icon.

## User Management

The User Management tab has two major interfaces: **Add/Remove User** and **Import/Export User**. Import/Export User functionality is documented in "Exporting and Importing Users" on page 164. Add/Remove User functionality is straightforward.

If you click **Adds a new user to OmniPass** you will start the OmniPass Enrollment Wizard. The Enrollment Wizard is documented in “User Enrollment” on page 157.

If you click **Removes a user from OmniPass**, OmniPass will prompt you to authenticate. Authenticate with the credentials (or enrolled fingerprint) of the user you wish to remove. OmniPass will prompt you to confirm user removal. Click **OK** to complete user removal.



REMOVING A USER WILL AUTOMATICALLY DESTROY ALL OMNIPASS DATA ASSOCIATED WITH THAT USER. ALL IDENTITIES AND CREDENTIALS ASSOCIATED WITH THE USER WILL BE LOST.

IF YOU'RE SURE YOU WANT TO REMOVE THE USER, WE RECOMMEND YOU EXPORT THE USER PROFILE.

## User Settings

The User Settings tab has three interfaces: **Audio Settings**, **Taskbar Tips**, and **Enrollment**. User settings allow users to customize OmniPass to suit their individual preferences. Under **User Settings (Audio Settings and Taskbar Tips)** you can set how OmniPass notifies the user of OmniPass events (e.g., successful login, access denied, etc.). The details of each setting under the **Audio Settings** and **Taskbar Tips** interfaces are self-explanatory.

The **Enrollment** interface allows you to enroll fingerprints. For the procedure to enroll and authentication device refer to *Chapter 2.3*. To enroll additional fingerprints, click **Enroll Authentication Device**, and authenticate with OmniPass. Select the fingerprint recognition device in the **Select Authentication Device** screen (it should already be marked by a green check if you have a finger enrolled) and click **Next**.

## System Settings

The OmniPass **Startup Options** interface can be found in the System Settings tab. With these options you can specify how your OmniPass Logon is tied to your Windows Logon.

The first option, **Automatically log on to OmniPass as the current user**, will do just as it says; during Windows login, you will be logged on to OmniPass using your Windows login credentials. If the user logging into Windows was never enrolled into OmniPass, upon login no one will be logged on to OmniPass. This setting is appropriate for an office setting or any setting where users must enter a username and password to log into a computer. This is the default setting.

With the second option, **Manually log on to OmniPass at startup**, OmniPass will prompt you to login once you have logged on to Windows.

With the third option, **Do not log on to OmniPass at startup**, OmniPass will not prompt for a user to be logged on. You can manually log on to OmniPass by right-clicking the OmniPass taskbar icon and clicking **Log in User** from the right-click menu.

## Troubleshooting

You cannot use OmniPass to create Windows users. You must first create the Windows user, and you will need administrative privileges to do that. Once the Windows user is created, you can add that user to OmniPass using the same username and password

### Cannot add Windows users to OmniPass

If you experience difficulties adding a Windows user to OmniPass, you may need to adjust your local security settings. You can do this by going to **Start, Control Panel, Administrative Tools, and Local Security Settings**. Expand **Local Policies**, expand **Security Options**, and double-click **Network Access: Sharing and Security Model for Local Accounts**. The correct setting should be *Classic - Local Users Authenticate as Themselves*.

### Cannot add a User with a Blank Password to OmniPas

If you experience difficulties adding a user with a blank password to OmniPass, you may need to adjust your local security settings. First attempt the procedure explained in the *Cannot add Windows user to OmniPass* section. If the difficulties persist, then try the following procedure.

Click **Start, Control Panel, Administrative Tools, and Local Security Settings**. Expand **Local Policies**, expand **Security Options**, and double-click **Accounts: Limit local account use of blank passwords to console login only**. This setting should be set to Disabled.

### Dialog appears after OmniPass authentication during Windows Logon

After installing OmniPass on your system, you can choose to logon to Windows using OmniPass. You authenticate with OmniPass (via master password, or an enrolled security device) and OmniPass logs you into Windows. You may, during this OmniPass authentication, see a **Login Error** dialog box.

This dialog box occurs when OmniPass was unable to log you into Windows with the credentials supplied (username and password). This could happen for any of the following reasons:

- Your Windows password has changed
- Your Windows account has been disabled

If you are having difficulties due to the first reason, you will need to update OmniPass with your changed Windows account password. Click **Update Password** and you will be prompted with a dialog to reconfirm your password.

Enter the new password to your Windows user account and click **OK**. If the error persists, then it is unlikely the problem is due to your Windows user account password changing.

# Index

---

## A

About This Guide 1, 8  
AC  
    adapter 41  
    plug adapters 109  
Air Vents 19  
Anti-theft lock slot 17  
Application Panel 36  
Auto/Airline Adapter 41

## B

Battery 55  
    alarm 57  
    care 109  
    cold-swapping 58  
    conserving power 50  
    dead 90  
    faulty 90  
    increasing life 110  
    level indicator 21  
    lithium ion battery 55  
    low 57  
    problems 90, 91  
    recharging 56  
    replacing 58  
    shorted 57  
    Sleep mode 57  
BIOS 47

Bluetooth 151  
Boot Sequence 46  
Built-in Speakers 86

## C

CapsLock 22  
Clicking 27  
Cold-swapping 34, 58  
Configuration Label 112  
Controls and Connectors 12  
Conventions Used in the Guide 8  
Cursor 26  
Cursor Keys 24

## D

DC Power Jack 41  
Device Ports 74, 115  
DIMM 71  
Display Panel 14, 42  
    adjusting 42  
    brightness 42  
    closing 43  
    latch 13  
    opening 42  
    problems 92  
Docking Port 78  
Double-Clicking 28  
Dragging 28  
DVD drive 63, 86, 87



## E

- Emergency tray release 17
- Error Messages 94
- ExpressCard
  - problems 89
  - installing/removing 70
- External Monitor Port 17, 78

## F

- Fingerprint Sensor Device 153
  - enrolling a fingerprint 158
  - getting started 154
  - installing OmniPass 154
  - logging into a remembered site 162
  - OmniPass authentication toolbar 160
  - password replacement 160
  - remembering a password 160
  - uninstalling OmniPass 156
  - user enrollment 157
- Flexible Bay 17, 33
  - cold-swapping 34
  - devices 33
  - installing 33
  - Modular Multi-Format DVD Writer 60
  - removing 33
- Fujitsu Contact Information 9
- Fujitsu Support Center 38
- Function Key
  - F10 25
  - F3 25
  - F4 25
  - F6 25
  - F7 25
  - F8 25, 32
  - F9 25, 32
  - FN 25

## H

- Hard Disk Drive
  - access indicator 22
  - problems 87
- Headphone Jack 76
- Hibernation Feature 51

## I

- Installing 68
- Internal LAN Jack 74

## K

- Keyboard 14, 23
  - cursor keys 24
  - function keys 24
  - numeric keypad 23
  - problems 87
  - windows keys 24

## L

- LAN (RJ-45) Jack 17
- LifeBook Application Panel 13
  - configuring 37
  - launching applications 37
- Lithium ion Battery Bay 19

## M

- Media Player
  - care 111
  - Control Panel 64
  - loading 61
  - removing 63
  - Software 60, 63
  - using 64

Memory  
  capacity 73  
  compartment 19, 71  
  installing 71  
  problems 88  
  removing 72, 73  
  upgrade module 71

Memory Stick 67

Microphone Jack 77

Modular Devices 33

Mouse problems 87

**N**

NumLk 22

**O**

Optical Drive 60

**P**

Pointing Device  
  See Touchpad 26

Port Replicator  
  attaching 81  
  connector 19  
  detaching 81  
  problems 87

Power  
  AC adapter 41  
  Auto/Airline adapter 41  
  indicator 20  
  management 50  
  off 52  
  on 45  
  problems 91  
  sources 41

Power Management 50

Power On Self Test 46, 94

Power/Suspend/Resume Button 13, 45, 50

Pre-Installed Software 118

## **R**

Registration 49

Restarting 52

Restoring Your Pre-installed Software 95

RJ-45 74

## **S**

ScrLk 22

SD Card 67

SDRAM 19, 71

Secure Digital Card 67

Security Panel 36

Sleep Mode 50

Specifications 112  
  Audio 114  
  Chipset 113  
  Dimensions and Weight 117  
  Environmental Requirements 117  
  Keyboard 116  
  Memory 113  
  Microprocessor 113  
  Power 117  
  Video 113

Status Indicator Panel 13, 20

Stereo Speakers 13

Support Button 13, 38

**T**

Touchpad 26, 31

Touchpad Pointing Device 13

Troubleshooting 83

## U

Universal Serial Bus Ports 17, 75, 88  
Unpacking 11

## V

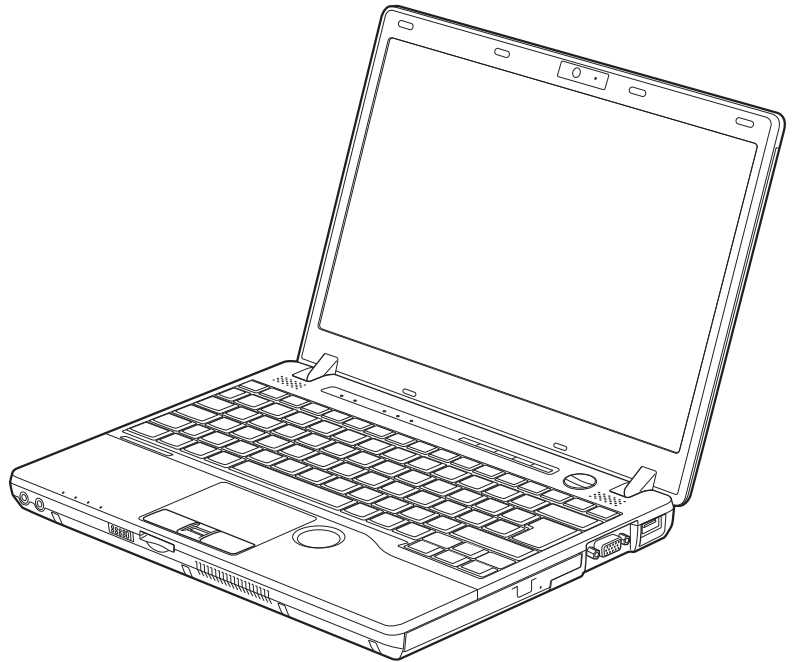
Volume control 32

## W

Warranty 10  
Windows keys 24  
    Application key 24  
    Start keys 24  
Wireless LAN  
    Before Using the Wireless LAN 141  
    connection to the network 146  
    Specifications 149  
    Troubleshooting 147  
Wireless LAN On/Off Switch 13

# Guide d'utilisation

Découvrez comment  
utiliser votre ordinateur  
portable Fujitsu  
LIFEBOOK P772



  
FUJITSU

# Informations sur les droits d'auteurs et les marques commerciales

La société Fujitsu America, Inc. a fait tous les efforts possibles pour vérifier l'exactitude des informations figurant dans ce document et s'assurer qu'il n'y manque rien. Cependant, puisque nos produits font continuellement l'objet d'améliorations, nous ne pouvons garantir l'exactitude de tout le contenu de ce document. Nous réfutons toute responsabilité relative à des erreurs, des omissions ou des modifications futures.

Fujitsu, le logo Fujitsu et LIFEBOOK sont des marques déposées de Fujitsu Limited.

Intel et Intel Core sont des marques de commerce ou des marques déposées de la société Intel ou des ses filiales aux États-Unis et dans d'autres pays.

Microsoft et Windows sont des marques déposées de la société Microsoft aux États-Unis et/ou dans d'autres pays.

Le nom de marque et le logo ExpressCard appartiennent à l'association PCMCIA (Personal Computer Memory Card International Association) et toute utilisation de ces marques par la société Fujitsu America, Incorporated est faite sous licence.

Google est une marque de commerce ou une marque déposée de Google Incorporated.

Bluetooth est une marque de commerce de Bluetooth SIG, Inc., USA.

OmniPass est une marque de commerce de la société Softex, Inc.

Roxio est une marque de commerce de Roxio, une division de Sonic Solutions.

PowerDirector, PowerDVD, YouCam et MakeDisc sont des marques de commerce de la société CyberLink.

Adobe, Acrobat et Adobe Reader sont des marques de commerce ou des marques déposées de la société Adobe Systems Incorporated aux États-Unis et/ou dans d'autres pays.

Norton et Norton Internet Security sont des marques de commerce ou des marques déposées de la société Symantec aux États-Unis et dans d'autres pays.



Fabriqué sous licence de DTS Licensing Limited. DTS, le symbole DTS et la combinaison nom/symbole DTS sont des marques déposées, alors que DTS Boost est une marque de commerce, appartenant toutes à DTS (BVI) Limited (à Hong Kong et en Chine) et à DTS, Inc. (hors de Hong Kong et de la Chine). © DTS, Inc. Tous droits réservés.

Le lecteur de DVD disponible sur certains modèles d'ordinateurs portables LIFEBOOK comporte des technologies dont les droits d'auteur sont protégés dans le cadre de divers brevets américains et d'autres droits de propriété intellectuelle appartenant à la société Macrovision et à d'autres utilisateurs autorisés. L'utilisation de cette technologie protégée par des droits d'auteur doit être autorisée par la société Macrovision et ne doit servir qu'à un usage privé ou à d'autres usages limités semblables, à moins d'autorisation spéciale par la société Macrovision. La rétro-ingénierie et le désassemblage sont interdits.

Toutes les autres marques de commerce mentionnées dans le présent document sont la propriété de leurs détenteurs respectifs.



## AVERTISSEMENT

LA MANIPULATION DU CORDON DE CE PRODUIT VOUS EXPOSE AU PLOMB, UNE SUBSTANCE CHIMIQUE QUI, SELON L'ÉTAT DE CALIFORNIE, PEUT CAUSER DES ANOMALIES CONGÉNITALES OU D'AUTRES PROBLÈMES DE REPRODUCTION.

LAVEZ-VOUS LES MAINS APRÈS CHAQUE MANIPULATION.

© Copyright 2012 Fujitsu America, Inc. Tous droits réservés.

Aucune partie de cette publication ne peut être copiée, reproduite ou traduite sans le consentement préalable de Fujitsu. Aucune partie de cette publication ne peut être enregistrée ou transmise électroniquement sans le consentement écrit de Fujitsu.

B6FJ-8091-01ENZ0-00



## DÉCLARATION DE CONFORMITÉ

selon la partie 15 des règles de la FCC

Nom de la partie responsable : Fujitsu America, Inc.  
Adresse : 1250 E. Arques Avenue,  
Sunnyvale, CA 94085  
Téléphone : (408) 746-6000  
Déclare que le produit : Configuration du modèle de base : Ordinateur portable LIFEBOOK P772

est conforme aux exigences de la partie 15 des règles de la FCC.

Cet appareil est conforme aux exigences de la partie 15 des règles de la FCC. L'utilisation est sujette aux deux conditions suivantes :

(1) cet appareil ne doit pas causer d'interférence nuisible ; (2) cet appareil doit accepter toutes les interférences reçues, y compris celles pouvant causer un mauvais fonctionnement de l'appareil.

## CONSIGNES DE SÉCURITÉ IMPORTANTES

Pour fonctionner, cet appareil nécessite un adaptateur secteur. Utilisez uniquement un adaptateur pour équipement informatique, homologué UL I.T.E., avec une sortie nominale de 19 V c.c. et un courant de 3,42 A (65 W). L'intensité du courant est déterminée par la carte graphique utilisée par le système et est indiquée sur l'étiquette de configuration Fujitsu située sous l'ordinateur.

**Polarité de sortie de l'adaptateur secteur:**



Pendant l'utilisation de l'ordinateur portable, observez toujours les consignes de sécurité élémentaires ci-après afin de réduire au minimum le risque d'incendie, d'électrocution ou d'autres blessures. D'autre part :

- N'utilisez pas ce produit à proximité d'un point d'eau (baignoire, lavabo, évier de cuisine, évier de buanderie) ni dans un sous-sol humide ou à côté d'une piscine.
- Utilisez uniquement le cordon d'alimentation et les piles recommandés dans ce manuel. Ne jetez pas les batteries dans le feu. Elles risquent d'exploser. Vérifiez si la réglementation locale comporte des instructions spéciales d'élimination.

**CONSERVEZ CES INSTRUCTIONS**

### Avis réservé à des réparateurs qualifiés



DANGER D'EXPLOSION SI LA BATTERIE AU LITHIUM (HORLOGE) EST INCORRECTEMENT REMPLACÉE. LA PILE DOIT ÊTRE REMPLACÉE UNIQUEMENT PAR UNE PILE IDENTIQUE OU D'UN TYPE ÉQUIVALENT RECOMMANDÉ PAR LE FABRICANT. JETEZ LES BATTERIES USÉES CONFORMÉMENT AUX INSTRUCTIONS DU FABRICANT.



POUR BÉNÉFICIER D'UNE PROTECTION CONTINUE CONTRE LES RISQUES D'INCENDIE, LE FUSIBLE NE DOIT ÊTRE REMPLACÉ QUE PAR UN AUTRE FUSIBLE DE MÊME TYPE ET DE MÊME CAPACITÉ.

## Recycler votre batterie

Avec le temps, l'autonomie des batteries qui alimentent votre ordinateur portable finira par diminuer ; c'est un phénomène naturel pour toutes les batteries. Lorsque vous remarquerez cela, songez à installer une batterie neuve\*. Si vous remplacez votre ancienne batterie, il est important que vous la jetiez comme il convient car, dans le cas contraire, les matériaux qu'elle contient risquent de nuire à l'environnement.



Chez Fujitsu, nous portons une attention particulière à la protection de l'environnement et nous collaborons donc avec la Rechargeable Battery Recycle Corporation (RBRC\*), une organisation de service publique à but non lucratif qui s'engage dans la protection de l'environnement par le recyclage des batteries usagées sans coût pour vous.

La RBRC dispose de dizaines de milliers de points de collecte aux États-Unis et au Canada. Pour trouver le lieu de collecte le plus proche de chez vous, visitez [www.RBRC.org](http://www.RBRC.org) ou appelez au 1-800-822-8837.

Si aucun des lieux proposés par la RBRC ne vous convient, vous pouvez en trouver un en visitant le site de la Consumer Education Initiative (Initiative pour l'éducation des consommateurs) de l'EIA à l'adresse <http://EIAE.org/>.

Rappelez-vous que la protection de l'environnement est l'affaire de tous, vous devriez donc faire tout votre possible afin d'y contribuer, pour la génération actuelle et les générations suivantes.

\* Pour commander une nouvelle batterie compatible avec votre ordinateur portable Fujitsu, allez sur [www.shopfujitsu.com](http://www.shopfujitsu.com) (États-Unis) ou [www.fujitsu.ca/products/notebooks](http://www.fujitsu.ca/products/notebooks) (Canada).

\*\* La RBRC est une organisation indépendante dont Fujitsu finance une partie des activités de recyclage ; la RBRC n'est en aucune façon affiliée à Fujitsu.





# Table des matières

---

<b>À propos de ce guide</b> .....	<b>8</b>
Conventions utilisées dans ce guide .....	8
Coordonnées pour contacter Fujitsu .....	9
<b>Chapitre 1 Présentation de votre ordinateur LIFEBOOK</b>	
<b>Aperçu général</b> .....	<b>11</b>
<b>Emplacement des commandes et des connecteurs</b> .....	<b>12</b>
Composants supérieurs .....	13
Composants sur le côté gauche de l'ordinateur .....	15
Composants sur le côté droit de l'ordinateur .....	17
Composants sous l'ordinateur .....	18
<b>Tableau de voyants d'état</b> .....	<b>20</b>
Voyant d'alimentation .....	20
Voyant de charge en cours .....	21
Voyants de charge des batteries .....	21
Voyant de l'utilitaire Économiseur d'énergie .....	22
Voyant d'accès au disque dur/lecteur optique .....	22
Voyant Verr num .....	22
<b>Clavier</b> .....	<b>23</b>
Utilisation du clavier .....	23

<b>Pavé tactile Touchpad</b> .....	<b>26</b>
Utilisation du bouton de défilement .....	27
Cliquer .....	27
Double-cliquer .....	28
Glisser .....	28
Défiler .....	29
Utilisation du bouton de défilement .....	29
Naviguer avec la commande gestuelle .....	29
Réglage des commandes du pavé Touchpad .....	31
<b>Réglage du volume</b> .....	<b>32</b>
Réglage du volume .....	32
<b>Périphériques pour le compartiment multifonction</b> .....	<b>33</b>
Retrait et installation de périphériques modulaires .....	33
<b>Tableau d'applications LIFEBOOK/bouton de soutien</b> .....	<b>36</b>
Lancement d'applications avec le tableau d'applications LIFEBOOK ....	37
Ouvrir le Centre de soutien Fujitsu à l'aide du bouton Soutien .....	38

## **Chapitre 2 Première mise en marche de votre ordinateur portable LIFEBOOK**

<b>Sources d'alimentation</b> .....	<b>41</b>
Connexion des adaptateurs d'alimentation .....	41
<b>Écran</b> .....	<b>42</b>
Ouverture de l'écran .....	42
Réglage de la luminosité de l'écran .....	42
Utilisation du clavier .....	43
Utilisation des options d'alimentation .....	43
À l'aide du Centre de mobilité Windows .....	43
Réglage de la luminosité avec l'utilitaire de gestion de l'alimentation ....	43
Fermeture de l'écran .....	43
<b>Utilisation simultanée de plusieurs écrans</b> .....	<b>44</b>

<b>Démarrage de votre ordinateur portable LIFEBOOK . . . . .</b>	<b>45</b>
Mise sous tension . . . . .	45
Séquence d'amorçage . . . . .	46
Mots de passe d'accès au disque dur . . . . .	47
Utilitaire de configuration du BIOS . . . . .	47
Amorçage du système . . . . .	48
Premier démarrage de Windows . . . . .	48
<b>Gestion de l'alimentation . . . . .</b>	<b>50</b>
Bouton d'alimentation/veille/reprise . . . . .	50
Mode veille . . . . .	50
Mode veille prolongée . . . . .	51
Gestion de l'alimentation dans Windows . . . . .	52
Redémarrage du système . . . . .	52
Mise hors tension . . . . .	52
Conformité ENERGY STAR® . . . . .	53

### **Chapitre 3 Options installables par l'utilisateur**

<b>Batterie au lithium . . . . .</b>	<b>55</b>
Recharge des batteries . . . . .	56
Remplacement de la batterie . . . . .	58
<b>Lecteur optique . . . . .</b>	<b>60</b>
Logiciels du lecteur multimédia . . . . .	60
Installation d'un disque dans votre lecteur . . . . .	61
Retrait d'un disque . . . . .	63
Ouverture d'urgence du plateau du lecteur optique	
Utilisation des logiciels du lecteur multimédia . . . . .	63
Utilisation du lecteur multimédia avec alimentation par batterie . . . . .	64
<b>Cartes Secure Digital . . . . .</b>	<b>66</b>
Installation d'une carte SD . . . . .	67
Retrait d'une carte SD . . . . .	67

<b>Cartes ExpressCard®/Smart Card</b> .....	<b>68</b>
Cartes ExpressCard .....	68
Installation d'une carte ExpressCard .....	68
Retrait d'une carte ExpressCard .....	70
Lecteur de carte Smart Card .....	70
<b>Module de mémoire additionnelle</b> .....	<b>71</b>
Installer un module de mémoire additionnelle .....	71
Retirer un module de mémoire additionnelle .....	72
Vérification de la capacité de mémoire .....	73
<b>Ports de périphériques</b> .....	<b>74</b>
Prise de réseau local (RJ-45) interne .....	74
Port DisplayPort / HDMI .....	75
Ports USB .....	75
Utilitaire du Chargeur USB Anytime .....	76
Prise d'écouteurs .....	76
Prise de micro .....	77
Port vidéo externe .....	78
Connecteur de duplicateur de ports .....	78
<b>Duplicateur de ports</b> .....	<b>79</b>
Composants du duplicateur de ports .....	79
Installation du duplicateur de ports .....	81
Désinstallation du duplicateur de ports .....	81
<b>Chapitre 4 Dépannage de votre LIFEBOOK</b>	
<b>Dépannage</b> .....	<b>83</b>
Identification du problème .....	83
Problèmes spécifiques .....	85
Messages de l'auto-diagnostic de mise sous tension .....	94

<b>Restauration de votre image de système et de vos logiciels . . . . .</b>	<b>95</b>
Enregistrement et restauration de vos images d'origine et de système . . .	95
Création d'une image de système . . . . .	97
Onglets Restauration et Utilitaires . . . . .	101
Restauration de l'image d'origine avec la fonctionnalité Restauration et Utilitaires (à partir d'un nouveau disque dur ou d'un disque dur sans auto-amorçage) . . . . .	102
Téléchargement des mises à jour de pilotes . . . . .	103

## **Chapitre 5 Entretien**

<b>Entretien de votre ordinateur portable LIFEBOOK. . . . .</b>	<b>104</b>
Nettoyage de votre ordinateur portable LIFEBOOK . . . . .	105
Nettoyage du filtre anti-poussière . . . . .	106
Rangement de votre ordinateur portable LIFEBOOK . . . . .	108
Voyager avec votre ordinateur portable LIFEBOOK . . . . .	108
Batteries . . . . .	109
Entretien de votre lecteur multimédia . . . . .	110

## **Chapitre 6 Spécifications techniques**

<b>Spécifications . . . . .</b>	<b>112</b>
Étiquette de configuration . . . . .	112
Microprocesseur . . . . .	113
Puce . . . . .	113
Mémoire . . . . .	113
Vidéo . . . . .	113
Audio . . . . .	114
Options de mémoire de masse . . . . .	114
Périphériques de baie modulaire . . . . .	114
Caractéristiques techniques . . . . .	114
Ports de périphériques . . . . .	115
Clavier . . . . .	116
Gestion de l'alimentation . . . . .	117

Dimensions et poids . . . . .	117
Environnement requis . . . . .	117
Accessoires préférés des utilisateurs . . . . .	118
Logiciels pré-installés . . . . .	118
Apprendre à utiliser vos logiciels . . . . .	119

## **Glossaire/Renseignements sur la réglementation**

<b>Glossaire . . . . .</b>	<b>122</b>
<b>Renseignements sur la réglementation . . . . .</b>	<b>134</b>

## **Annexe A : Guide d'utilisation de la carte de réseau local sans fil**

<b>Avant d'utiliser la carte réseau sans fil optionnelle . . . . .</b>	<b>141</b>
Cartes réseau sans fil présentées dans ce document . . . . .	141
Caractéristiques de la carte réseau sans fil . . . . .	141
Modes de réseau sans fil compatibles avec cette carte . . . . .	142
Désactivation/déconnexion de la carte réseau sans fil . . . . .	144
Désactivation avec le commutateur de dispositif sans fil . . . . .	145
Désactivation par l'icône dans la zone de notification . . . . .	145
Activation de la carte réseau sans fil . . . . .	145
<b>Configuration de la carte réseau sans fil . . . . .</b>	<b>146</b>
Configuration de la carte de réseau local sans fil sous Windows . . . . .	146
Connexion au réseau . . . . .	146
<b>Dépannage de la carte réseau sans fil . . . . .</b>	<b>147</b>
Dépannage . . . . .	147
<b>Spécifications de la carte de réseau local sans fil . . . . .</b>	<b>149</b>
Spécifications . . . . .	149
<b>Utilisation de Bluetooth . . . . .</b>	<b>151</b>
Qu'est-ce que le Bluetooth? . . . . .	151
Sources d'informations supplémentaires sur Bluetooth . . . . .	151

## Annexe B : Capteur d'empreintes digitales

<b>Présentation du capteur d'empreintes digitales optionnel .....</b>	<b>153</b>
Première mise en marche.....	154
Installer OmniPass .....	154
Enregistrement des utilisateurs .....	157
Utilisation d'OmniPass .....	160
Configuration d'OmniPass .....	164
Centre de contrôle OmniPass .....	166
Dépannage .....	168
 <b>Index .....</b>	 <b>170</b>



# Préface

---

## À propos de ce guide

Le LIFEBOOK P772 de Fujitsu America offre toutes les performances d'un ordinateur de bureau grâce au nouveau processeur Intel® Core™. Cet ordinateur portable est doté d'un écran couleur anti-reflets de 12,1 pouces. Ce système permet d'apporter toute la puissance informatique des ordinateurs de bureau à un environnement portable.

Votre ordinateur est livré avec le système d'exploitation Microsoft® Windows 7 Professionnel, pré-installé. Ce manuel présente le mode d'emploi de l'ordinateur portable LIFEBOOK et de ses logiciels intégrés.

## Conventions utilisées dans ce guide

Les touches du clavier et à l'écran apparaissent entre crochets. Exemple : [Fn], [F1], [Échap], [Entrée] et [Ctrl].

Le texte contient plusieurs renvois vers des pages contenant des informations supplémentaires sur un sujet quelconque. Exemple : (« Voir Procédure d'installation en page 43 »).

Les éléments des menus à l'écran sont indiqués en caractères gras. Exemple : « Cliquez sur **Menu Fujitsu**, puis faites votre sélection. »

Les commandes DOS que vous devez saisir sont indiquées avec la police Courier. Exemple : « Arrêter l'ordinateur ? »



L'ICÔNE D'INFORMATIONS MET EN ÉVIDENCE DES RENSEIGNEMENTS QUI VOUS AIDERONT À MIEUX COMPRENDRE LE SUJET TRAITÉ.





L'ICÔNE DE MISE EN GARDE MET EN ÉVIDENCE DES INFORMATIONS IMPORTANTES POUR L'UTILISATION SÉCURITAIRE DE VOTRE ORDINATEUR OU POUR L'INTÉGRITÉ DE VOS FICHIERS. VEUILLEZ LIRE ATTENTIVEMENT TOUTES LES MISES EN GARDE.



L'ICÔNE D'AVERTISSEMENT MET EN ÉVIDENCE DES INFORMATIONS SUR DES DANGERS POUR VOUS, VOTRE ORDINATEUR LIFEBOOK OU VOS FICHIERS. VEUILLEZ LIRE ATTENTIVEMENT TOUS LES AVERTISSEMENTS.

## Coordonnées pour contacter Fujitsu

### Service et assistance

Plusieurs façons s'offrent à vous pour contacter l'équipe de service et assistance de Fujitsu :

- Appel sans frais : 1-800-8FUJITSU (1-800-838-5487)
- Site Internet :  
U.S.A. - [us.fujitsu.com/solutions](http://us.fujitsu.com/solutions)  
Canada - [www.fujitsu.ca](http://www.fujitsu.ca)

Avant de nous contacter, veuillez avoir les informations suivantes à portée de main pour que notre préposé du service à la clientèle puisse vous venir en aide le plus rapidement possible :

- Nom du produit
- Numéro de configuration du produit
- Numéro de série du produit
- Date d'achat
- Conditions dans lesquelles le problème est survenu
- Texte des messages d'erreur reçus
- Types de périphériques connectés, si applicable

### Site de vente par internet de Fujitsu

Vous pouvez vous rendre sur ce site directement à : [www.shopfujitsu.com](http://www.shopfujitsu.com).

## **Maintien de la plus récente configuration**

Pour vous assurer de toujours disposer des versions les plus actuelles des pilotes de votre système, il vous est suggéré d'utiliser périodiquement l'utilitaire de mise à jour Fujitsu Software Download Manager (FSDM). L'utilitaire FSDM est à votre disposition pour télécharger les plus récentes versions des pilotes, utilitaires et applications depuis le site d'assistance Fujitsu. Si vous avez un système d'exploitation Windows 7, vous devez vous connecter au site d'assistance (<http://support.fujitsupc.com/CS/Portal/support.do?srch=DOWNLOADS>).

## **Garantie limitée**

Votre ordinateur portable LIFEBOOK est accompagné d'une garantie limitée internationale de Fujitsu. Pour connaître les conditions générales et la durée de votre garantie limitée, consultez la pochette de service livrée avec votre ordinateur.

## Chapitre 1

# Présentation de votre ordinateur LIFEBOOK

### Aperçu général

Cette section décrit les composants de votre ordinateur portable Fujitsu LIFEBOOK P772. Nous vous suggérons de la lire avant de commencer à utiliser l'ordinateur, même si vous avez déjà utilisé des ordinateurs de ce type.

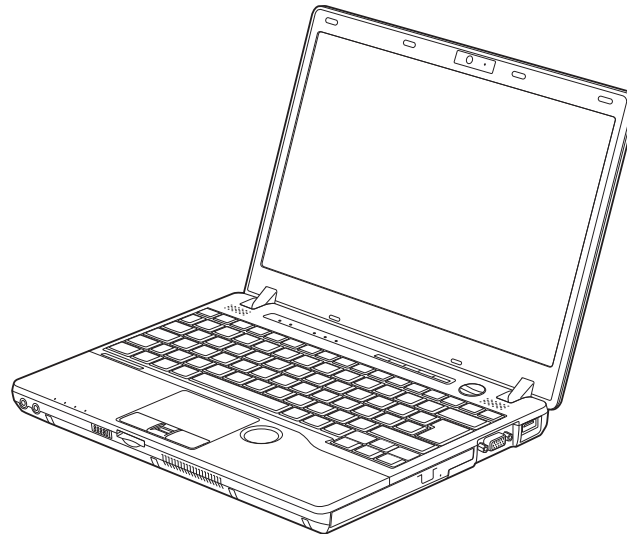


Figure 1. Ordinateur portable Fujitsu LIFEBOOK P772

## Emplacement des commandes et des connecteurs

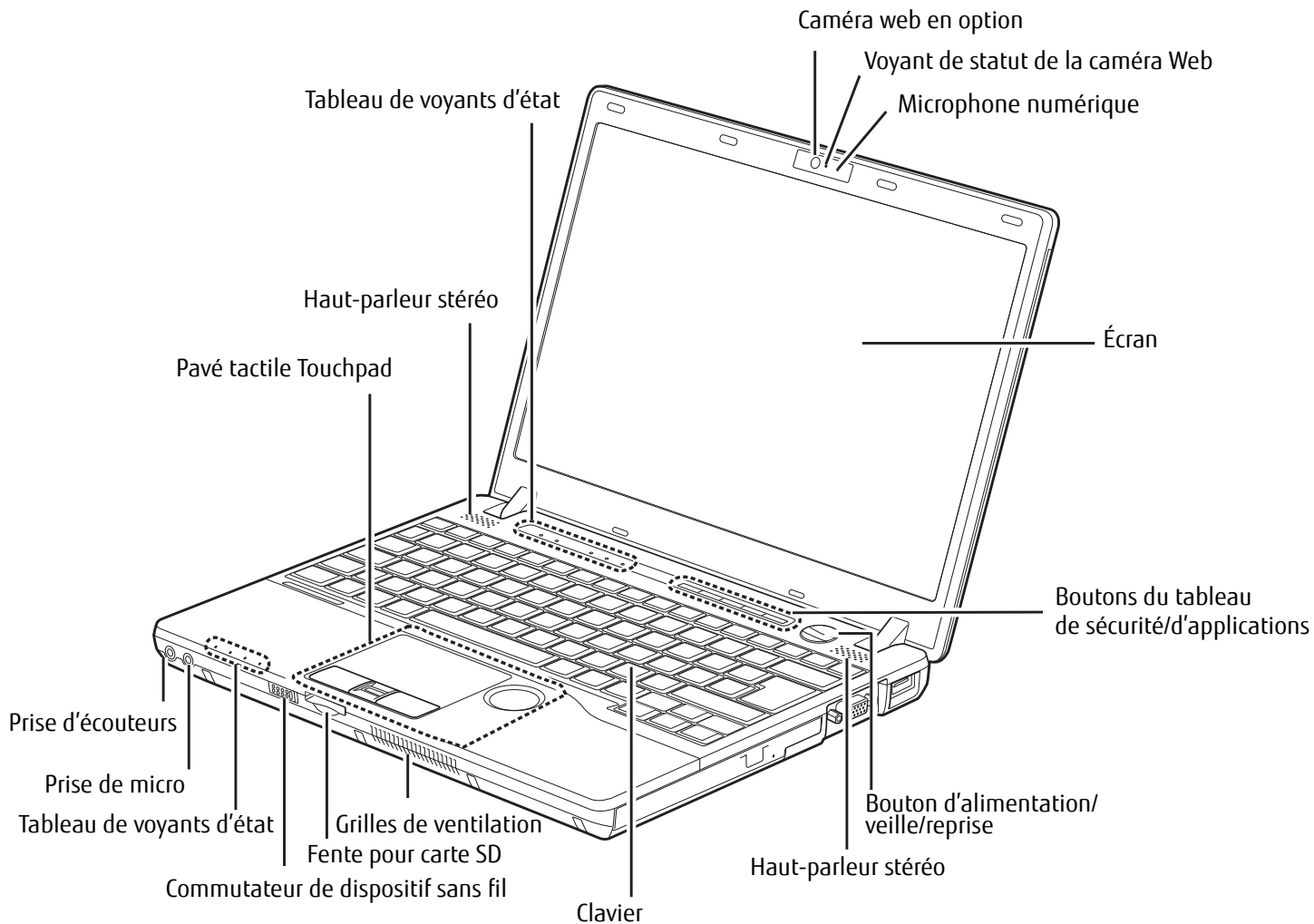


Figure 2. Ordinateur portable LIFEBOOK avec écran ouvert

## Composants supérieurs

Voici une courte description des composants se trouvant sur le dessus de votre ordinateur LIFEBOOK.

### Microphone numérique.

Le microphone numérique en option est utilisé en association avec la caméra web optionnelle. Pour de plus amples informations concernant l'utilisation du microphone et de la caméra web, consultez la documentation accompagnant l'application CyberLink YouCam.

### Caméra Web.

La caméra Web à très haute définition présente une résolution de 1920 x 1080 pixels. Pour connaître les instructions d'utilisation de la caméra, consultez les fichiers d'aide fournis avec le logiciel YouCam.

### Voyant de statut de la caméra Web.

Le voyant d'état (DEL) de la caméra web s'allume lorsque la caméra fonctionne.

### Écran.

L'ordinateur est équipé d'un écran à cristaux liquides couleur avec rétro-éclairage, permettant d'afficher des textes et des images.

### Tableau de voyants d'état.

Le tableau de voyants d'état contient des symboles correspondant à divers composants de votre ordinateur LIFEBOOK. Voir « Tableau de voyants d'état » en page 20.

### Tableau de sécurité et d'applications LifeBook.

Le tableau de sécurité et d'applications de l'ordinateur LIFEBOOK assure une sécurité matérielle et permet de lancer des applications au toucher d'un seul bouton. Voir « Tableau d'applications LIFEBOOK/bouton de soutien » en page 36.

### Bouton d'alimentation/veille/reprise.

Le bouton d'alimentation/veille/reprise vous permet de mettre votre ordinateur LIFEBOOK en veille sans l'éteindre, de reprendre l'utilisation de l'ordinateur lorsqu'il a été mis en veille et de le faire démarrer s'il est éteint. Voir « Bouton d'alimentation/veille/reprise » en page 50.

### Haut-parleurs stéréo.

Les deux haut-parleurs intégrés permettent une écoute en stéréophonie.

## Clavier

Clavier complet avec plusieurs touches spéciales Windows. Voir « Clavier » en page 23.

## Grilles de ventilation

Les grilles permettent à l'air de circuler dans le système afin de refroidir les composants.



POUR PROTÉGER VOTRE ORDINATEUR DES DOMMAGES ET OPTIMISER SES PERFORMANCES, GARDEZ TOUJOURS **LES GRILLES DE VENTILATION DÉGAGÉES, PROPRES ET SANS DÉBRIS**. IL EST POSSIBLE QUE VOUS DEVIEZ LES NETTOYER PÉRIODIQUEMENT, SELON L'ENVIRONNEMENT DANS LEQUEL VOUS UTILISEZ L'ORDINATEUR.

NE PLACEZ PAS L'ORDINATEUR DANS UN ENDROIT OÙ LES GRILLES DE VENTILATION POURRAIENT ÊTRE OBSTRUÉES, NOTAMMENT DANS UN PETIT ESPACE FERMÉ OU SUR UNE SURFACE MOLLE COMME UN LIT OU UN COUSSIN.

## Fente pour carte SD

La fente pour carte Secure Digital (SD) permet d'introduire une carte SD de stockage de données. Cette architecture vous permet de transférer des données à partir d'une grande variété de périphériques numériques. Voir « Installation d'une carte SD » en page 67.

## Interrupteur de communications sans fil

Ce commutateur permet de mettre sous et hors tension les dispositifs de réseau local sans fil et Bluetooth en option. Pour prolonger la longévité de la batterie, éteignez ces périphériques entre les utilisations. Voir « Activation de la carte réseau sans fil » en page 145.

## Prise de micro

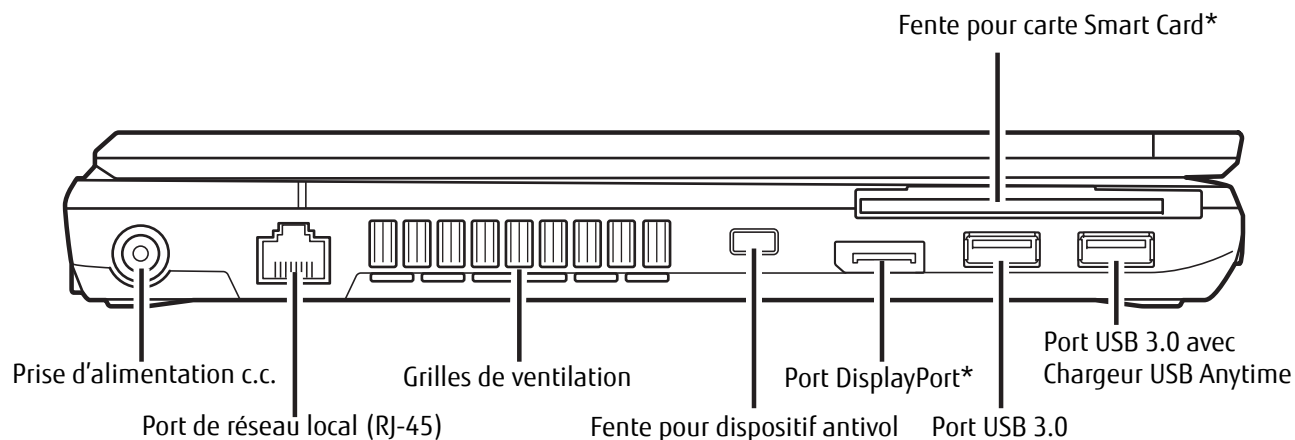
La prise de micro permet de connecter un microphone mono externe. Voir « Prise de micro » en page 77.

## Prise d'écouteurs

La prise d'écouteurs vous permet de connecter des écouteurs. Voir « Prise d'écouteurs » en page 76.

## Pavé tactile Touchpad

Le pavé tactile Touchpad est une commande semblable à une souris, avec deux boutons (bouton droit et bouton gauche). Un bouton de défilement est disponible à droite du pavé tactile. Voir « Pavé tactile Touchpad » en page 26. Entre les deux boutons, vous disposez d'un capteur d'empreintes digitales permettant d'ouvrir une session de système sans utiliser de mot de passe. Voir « Annexe B : Capteur d'empreintes digitales » en page 153.



\* Sur certaines configurations, la fente de carte Smart Card est remplacée par une fente de carte ExpressCard et le port DisplayPort est remplacé par un port HDMI.

**Figure 3. Côté gauche de l'ordinateur portable LIFEBOOK**

## Composants sur le côté gauche de l'ordinateur

Voici une courte description des composants se trouvant sur le côté gauche de votre ordinateur LIFEBOOK.

### Fente pour carte Smart Card

Votre LifeBook est doté d'un lecteur de cartes intelligentes, aussi appelées cartes à puce ou Smart Card. Ces cartes ressemblent à des cartes de crédit mais elles contiennent une puce électronique. Voir « Lecteur de carte Smart Card » en page 70. Pour pouvoir utiliser le lecteur de carte à puce (Smart Card), vous devez acquérir un logiciel tiers qui n'est pas fourni. Notez que sur certaines configurations de ce modèle, la fente pour carte Smart Card est remplacée par une fente pour carte ExpressCard.

### Ports USB 3.0

Les ports USB 3.0 vous permettent de connecter des périphériques USB. Un port USB 3.0 transfère des données à un débit théorique de 5 Gbit/s. Elle est rétrocompatible avec les périphériques USB 2.0 dont le débit atteint 480 Mbit/s. Voir « Ports USB » en page 75. Notez que le port USB 3.0 le plus près de l'avant du système offre également une fonction de charge USB en tout temps. Les ports USB avec charge en tout temps permettent de recharger un périphérique externe même lorsque le système est éteint.

## Port d'affichage

Ceci vous permet de connecter un câble de port d'affichage. Les câbles de port d'affichage servent principalement à connecter un ordinateur à un moniteur ou un dispositif de cinéma à domicile. Voir « Port DisplayPort / HDMI » en page 75. Notez que sur certaines configurations de ce modèle, la prise DisplayPort est remplacée par une prise HDMI.

## Fente pour dispositif antivol

La fente de dispositif antivol vous permet d'installer un dispositif antivol disponible en option.

## Grilles de ventilation

Les grilles permettent à l'air de circuler dans le système afin de refroidir les composants.



POUR PROTÉGER VOTRE ORDINATEUR DES DOMMAGES ET OPTIMISER SES PERFORMANCES, GARDEZ TOUJOURS **LES GRILLES DE VENTILATION DÉGAGÉES, PROPRES ET SANS DÉBRIS**. IL EST POSSIBLE QUE VOUS DEVIEZ LES NETTOYER PÉRIODIQUEMENT, SELON L'ENVIRONNEMENT DANS LEQUEL VOUS UTILISEZ L'ORDINATEUR.

NE PLACEZ PAS L'ORDINATEUR DANS UN ENDROIT OÙ LES GRILLES DE VENTILATION POURRAIENT ÊTRE OBSTRUÉES, NOTAMMENT DANS UN PETIT ESPACE FERMÉ OU SUR UNE SURFACE MOLLE COMME UN LIT OU UN COUSSIN.

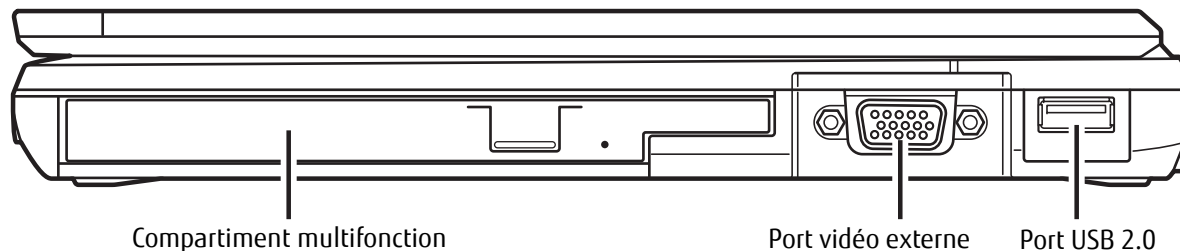
## Prise de réseau local Gigabit (RJ-45)

Cette prise est utilisée pour une connexion Gigabit Ethernet (10Base-T/100Base-Tx/1000Base-T) interne. Voir « Prise de réseau local (RJ-45) interne » en page 74.

## Prise d'alimentation c.c.

La prise d'alimentation c.c. sert à brancher l'adaptateur secteur, lequel permet d'alimenter l'ordinateur LIFEBOOK et de charger la batterie interne au lithium.





**Figure 4. Côté droit de l'ordinateur portable LIFEBOOK**

## Composants sur le côté droit de l'ordinateur

Voici une courte description des composants se trouvant sur le côté droit de votre ordinateur LIFEBOOK.

### Compartment multifonction

Le compartiment multifonction peut accueillir l'un des périphériques suivants. Voir « Périphériques pour le compartiment multifonction » en page 33.

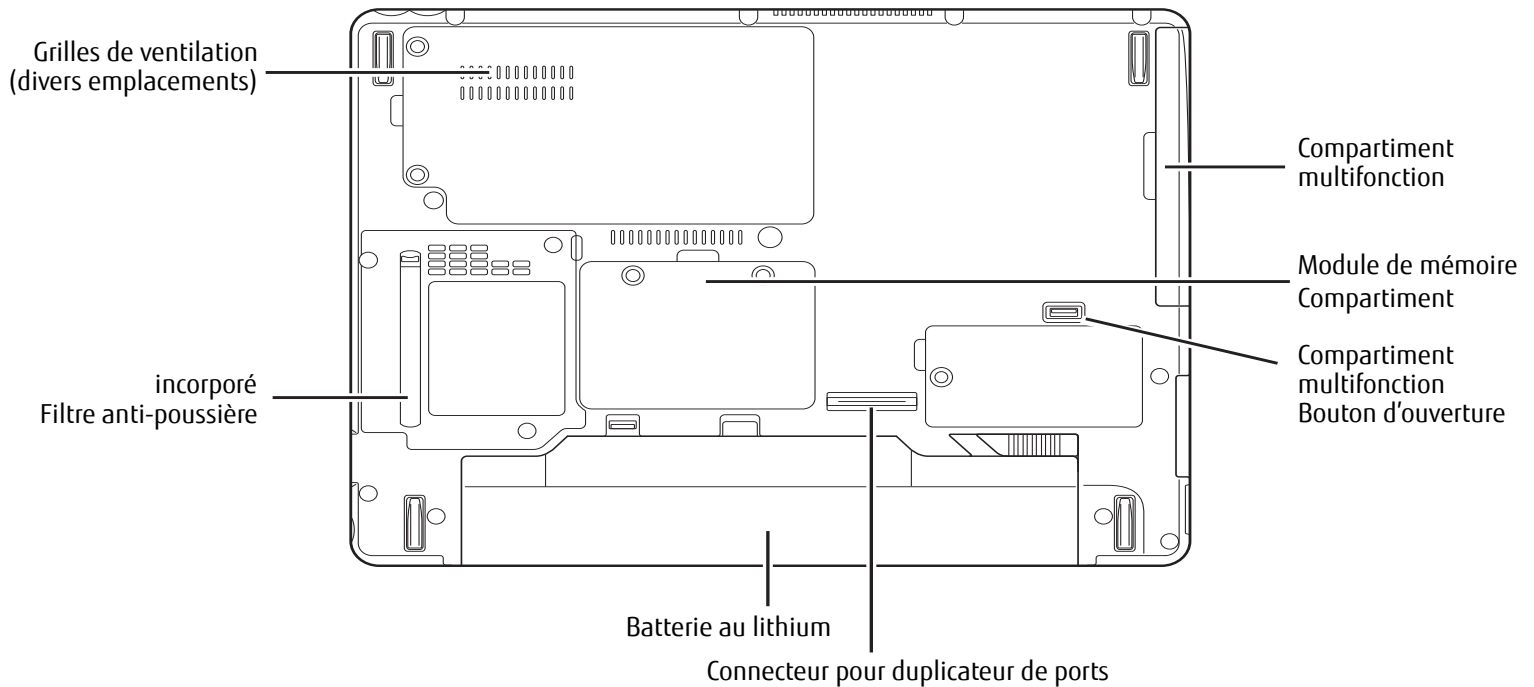
- Graveur de DVD multiformat double couche
- Lecteur ROM Blu-ray™
- Projecteur de baie modulaire
- Batterie au lithium modulaire
- Volet réducteur de poids

### Port vidéo externe

Le port vidéo externe permet de connecter un moniteur externe ou un projecteur ACL. Voir « Port vidéo externe » en page 78.

### Port USB 2.0

Le port USB 2.0 vous permet de connecter des périphériques USB. Le port USB 2,0 permet de transférer des données à une vitesse atteignant 480 Mbit/s et offre une rétrocompatibilité avec les périphériques USB 1.1. Voir « Ports USB » en page 75.



**Figure 5. Dessous de l'ordinateur portable LIFEBOOK**

## Composants sous l'ordinateur

Voici une courte description des composants se trouvant sous votre ordinateur LIFEBOOK.

### Compartiment multifonction

La baie modulaire contient l'un des composants modulaires adaptés à ce dispositif. Voir « Périphériques pour le compartiment multifonction » en page 33.

### Bouton de dégagement du compartiment multifonction

Le bouton de dégagement du compartiment multifonction sert à verrouiller/déverrouiller le périphérique modulaire dans la baie et à l'en dégager. Voir « Périphériques pour le compartiment multifonction » en page 33.

## Compartiment de mémoire supplémentaire

Votre ordinateur est équipé en usine d'une mémoire vive synchrone dynamique de type 3 à double débit et à haute vitesse (SDRAM DDR3). Le compartiment de mémoire permet d'augmenter la capacité de mémoire système de votre ordinateur pour en améliorer les performances globales. Voir « Module de mémoire additionnelle » en page 71. Normalement, vous ne devriez pas avoir à ouvrir ce compartiment.

## Connecteur pour duplicateur de ports

Ce connecteur vous permet de connecter un duplicateur de ports optionnel.

## Batterie au lithium

Le compartiment à batterie contient la batterie au lithium. La batterie doit être enlevée lorsque l'ordinateur est entreposé pendant une longue période ou pour remplacer une batterie épuisée par une autre batterie chargée. Voir « Batterie au lithium » en page 55.

## Filtre anti-poussière intégré

Le filtre anti-poussière intégré permet d'empêcher la poussière et la saleté de pénétrer à l'intérieur de votre ordinateur. Voir « Nettoyage du filtre anti-poussière » en page 106.

## Grilles de ventilation

Les grilles permettent à l'air de circuler dans le système afin de refroidir les composants.



POUR PROTÉGER VOTRE ORDINATEUR DES DOMMAGES ET OPTIMISER SES PERFORMANCES, GARDEZ TOUJOURS **LES GRILLES DE VENTILATION DÉGAGÉES, PROPRES ET SANS DÉBRIS**. IL EST POSSIBLE QUE VOUS DEVIEZ LES NETTOYER PÉRIODIQUEMENT, SELON L'ENVIRONNEMENT DANS LEQUEL VOUS UTILISEZ L'ORDINATEUR.

NE PLACEZ PAS L'ORDINATEUR DANS UN ENDROIT OÙ LES GRILLES DE VENTILATION POURRAIENT ÊTRE OBSTRUÉES, NOTAMMENT DANS UN PETIT ESPACE FERMÉ OU SUR UNE SURFACE MOLLE COMME UN LIT OU UN COUSSIN.

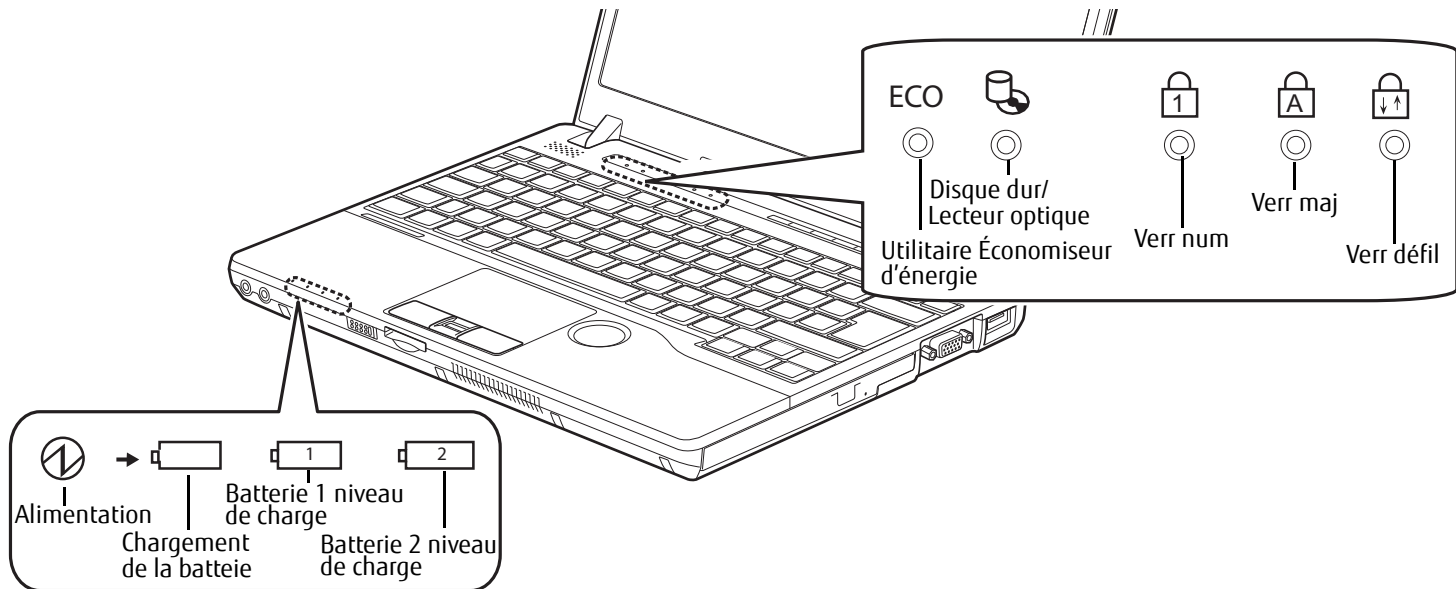


Figure 6. Tableau de voyants d'état

## Tableau de voyants d'état

Les voyants d'état affichent des symboles correspondant à divers composants de votre ordinateur LIFEBOOK Fujitsu. Les diodes électroluminescentes (DEL) adjacentes à chaque symbole vous renseignent sur le fonctionnement des composants correspondants.

### **Voyant d'alimentation**

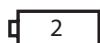
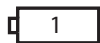
Le voyant d'alimentation indique si le système est opérationnel. Ses différents états possibles indiquent le mode de fonctionnement actuel de l'ordinateur.

- **Allumé en continu** : l'ordinateur est sous tension et prêt à être utilisé.
- **Clignotant** : Ceci indique que l'ordinateur est en mode veille.
- **Éteint** : Votre système est en veille prolongée ou carrément éteint.

## → **Voyant de charge en cours**

Le voyant de charge en cours indique l'état de charge de la ou des batteries.

- **Orange continu** : la batterie système est en cours de charge.
- **Vert continu** : La batterie système est entièrement chargée.
- **Orange clignotant** : Le système attend de pouvoir charger la batterie (la batterie est en-dehors des températures de fonctionnement).
- **Éteint** : l'adaptateur secteur n'est pas branché.



## **Voyants de charge des batteries**

Remarque : des voyants existent pour la batterie principale (Batterie 1) et pour la batterie secondaire (Batterie 2).

Le voyant de niveau de charge de la batterie affiche le niveau de charge de la batterie comme suit :

- **Vert continu** : batterie chargée entre 50% et 100% de sa capacité maximale.
- **Orange continu** : batterie chargée entre 13% et 49% de sa capacité maximale.
- **Rouge continu** : batterie chargée à 12% ou moins de sa capacité maximale.
- **Orange clignotant** : Le clignotement indique qu'une mesure de chargement est en cours (quatre secondes après l'installation de la batterie).
- **Rouge clignotant** : Problème au niveau de la batterie.
- **Éteint** : Aucune batterie n'est installée.



- Les batteries soumises à des chocs, à des vibrations ou à des températures extrêmes risquent de subir des dégâts permanents.
- Si une batterie est court-circuitée, elle est forcément abîmée et doit être remplacée.



- Lorsque la batterie est installée et que l'ordinateur n'est pas sous tension, le voyant de charge de la pile indiquera le niveau de charge pendant cinq secondes après le clignotement orange.
- Lorsque l'adaptateur secteur n'est pas branché ou que la batterie n'est pas complètement chargée et que l'ordinateur se trouve en mode veille, le voyant clignote. Il clignote en s'allumant une seconde toutes les six secondes.

## **ECO** **Voyant de l'utilitaire Économiseur d'énergie**

Le voyant de l'utilitaire Économiseur d'énergie s'allume lorsque cet utilitaire fonctionne. L'utilitaire Économiseur d'énergie est un mode spécial d'économie d'énergie que l'utilisateur peut activer avec le bouton ECO du tableau d'applications.



## **Voyant d'accès au disque dur/lecteur optique**

Le voyant vert d'accès au disque dur/lecteur optique révèle si le disque dur interne est en cours d'utilisation. Remarque : Le clignotement est normal.



## **Voyant Verr num**

Le voyant Verr num indique que le clavier intégré est en mode pavé numérique à dix touches.



## **Voyant Verr maj**

Le voyant Verr maj indique que le clavier est verrouillé pour que tous les caractères s'affichent en majuscules.



## **Voyant Verr défil**

Le voyant Verr défil indique si le verrouillage du défilement est actif.

# Clavier

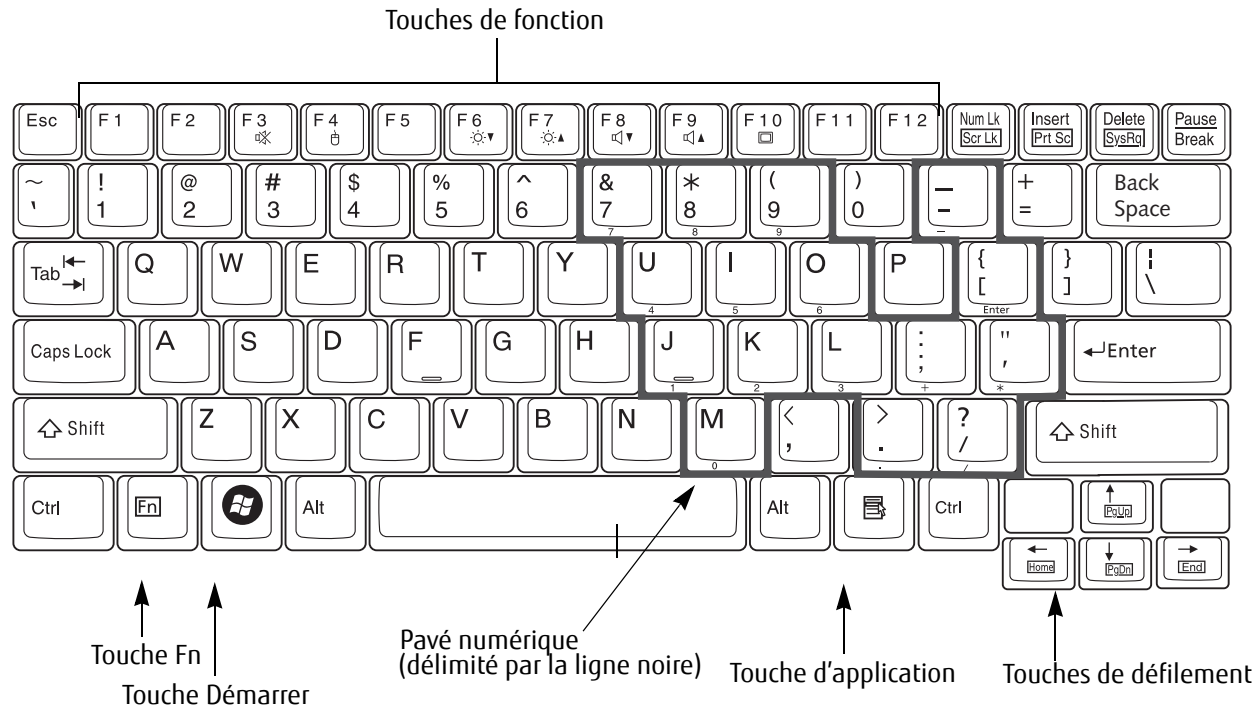


Figure 7. Clavier

## Utilisation du clavier

Votre ordinateur portable Fujitsu LifeBook est doté d'un clavier à 84 touches. Ce clavier exécute toutes les fonctions d'un clavier à 101 touches, y compris les touches Windows et diverses touches de fonction spéciales. Cette section décrit les touches suivantes.

- **Pavé numérique :** Certaines touches de votre ordinateur portable remplissent une double fonction, servant à la fois de caractère standard et de touche numérique ou mathématique. Pour passer du caractère standard à la fonction numérique, utilisez la touche [Verr num].

- **Touches de défilement :** Votre clavier contient quatre touches fléchées permettant de déplacer le curseur ou le point d'insertion vers la droite, vers la gauche, vers le haut ou vers le bas, dans les fenêtres, dans les applications et dans les documents.
- **Touches de fonction :** Les touches [F1] à [F12] s'utilisent avec la touche [Fn] pour exécuter des actions spéciales, selon le programme en cours d'utilisation.
- **Touches Windows :** Ces touches fonctionnent de concert avec votre système d'exploitation Windows et produisent le même résultat que si vous cliquez sur le menu Démarrer ou avec le bouton droit de votre pointeur.

## Pavé numérique

Certaines touches du clavier remplissent une double fonction en servant de touche standard et de touche numérique. Pour utiliser la fonction numérique de ces touches, appuyez sur [Verr num]. Pour désactiver la fonction numérique, appuyez de nouveau sur la même touche. Lorsque cette fonction est activée, vous pouvez saisir des chiffres de 0 à 9, exécuter des additions ( + ), des soustractions ( - ), des multiplications ( \* ) et des divisions ( / ), ainsi que saisir des décimales ( , ) en vous servant des touches de fonction désignées du pavé numérique. Les fonctions secondaires des touches du pavé numérique sont indiquées sur leur face avant.

## Touches Windows

Votre ordinateur portable LIFEBOOK comporte deux touches Windows, soit une touche [Démarrer] et une touche [Application]. La touche [Démarrer] affiche le menu Démarrer. Ce bouton fonctionne un peu comme le bouton du menu Démarrer sur votre écran. La touche [Application] fonctionne comme le bouton droit de votre souris et affiche un menu de raccourcis s'appliquant à l'élément sélectionné (pour de plus amples informations concernant les touches Windows, veuillez consulter votre documentation Windows).

## Touches de défilement

Les touches de défilement sont les quatre touches fléchées qui permettent de déplacer le curseur vers le haut, vers le bas, vers la gauche et vers la droite dans les applications. Dans les programmes tels que l'Explorateur Windows, elles servent à déplacer la « mise en évidence » (sélectionne l'élément suivant en haut, en bas, à gauche ou à droite).



## Touches de fonction

Votre ordinateur LIFEBOOK comporte 12 touches de fonction, [F1] à [F12]. Les fonctions affectées à ces touches varient selon l'application. Pour les connaître, consultez la documentation du logiciel utilisé.

- La touche [Fn] permet d'accéder à des fonctions supplémentaires de votre ordinateur portable. Elle est toujours utilisée conjointement avec une autre touche.
- [Fn+F3] : Maintenez [Fn] enfoncée et appuyez sur [F3] pour activer ou désactiver la fonction Silence.
- [Fn+F4] : Maintenez la touche [Fn] enfoncée et appuyez sur [F4] pour activer ou désactiver la fonction Quick Point. Veuillez prendre note que la combinaison de touches [Fn+F4] fonctionne uniquement lorsque le paramètre Manual Setting (Configuration manuelle) est sélectionné dans le BIOS. (Voir « Utilitaire de configuration du BIOS » en page 47)
- [Fn+F6] : Gardez la touche [Fn] enfoncée et appuyez plusieurs fois sur [F6] pour diminuer la luminosité de l'écran.
- [Fn+F7] : Gardez la touche [Fn] enfoncée et appuyez plusieurs fois sur [F7] pour augmenter la luminosité de l'écran.
- [Fn+F8] : Gardez la touche [Fn] enfoncée et appuyez plusieurs fois sur [F8] pour diminuer le volume de l'ordinateur.
- [Fn+F9] : Gardez la touche [Fn] enfoncée et appuyez plusieurs fois sur [F9] pour augmenter le volume.
- [Fn+F10] : Gardez la touche [Fn] enfoncée et appuyez sur [F10] pour changer l'emplacement de l'affichage vidéo. Chaque fois que vous appuyez sur cette combinaison de touches, vous passez au choix suivant. Le tableau suivant indique le nombre de ports sur votre système et sur le duplicateur de ports optionnel.

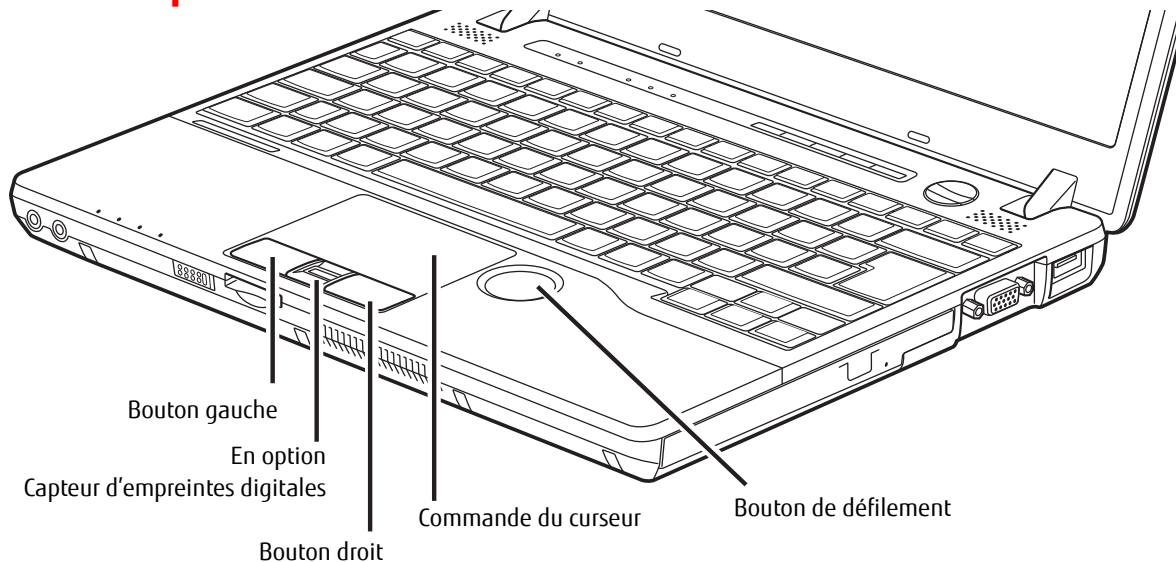
**Remarque :** Les fonctionnalités DisplayPort et DVI sont mutuellement exclusives. DisplayPort est prioritaire sur DVI. Si vous avez des moniteurs connectés simultanément sur un connecteur DisplayPort et sur un connecteur DVI, la combinaison de touches Fn+F10 n'activera pas le moniteur DVI.

Si vous avez des moniteurs externes connectés sur tous les ports (sur le système et sur le duplicateur de ports), voici ce qui se produira après avoir appuyé sur [Fn]+[F10] : ACL -> VGA -> ACL+VGA (clone double) -> DisplayPort (ou DVI) -> ACL+DisplayPort (ou DVI) (clone double) -> HDMI -> LCD+HDMI (clone double) -> Répéter la boucle ->

Si vous n'avez qu'un écran à tube cathodique, l'ordre sera le suivant : écran externe -> affichage simultané -> écran interne.

Si vous avez uniquement un périphérique HDMI, l'ordre sera le suivant : écran interne -> écran HDMI -> affichage simultané -> écran interne.

## Pavé tactile Touchpad



**Figure 8. Pavé tactile Touchpad**

Votre ordinateur portable LIFEBOOK possède un pavé tactile Touchpad intégré. Ce dispositif permet de commander le déplacement du pointeur et de sélectionner des éléments affichés à l'écran. Le pavé Touchpad comprend une commande de curseur, un bouton gauche et un bouton droit, ainsi qu'un capteur d'empreinte digitale optionnel.

La commande de curseur fonctionne de la même façon qu'une souris, pour faire déplacer le curseur à l'écran. Elle fonctionne avec une légère pression du bout du doigt. Les boutons gauche/droit fonctionnent comme les boutons d'une souris. La fonction exacte des boutons peut varier selon l'application utilisée. Le bouton de défilement vous permet de naviguer rapidement sur plusieurs pages, sans devoir utiliser les barres de défilement.

## Utilisation du bouton de défilement

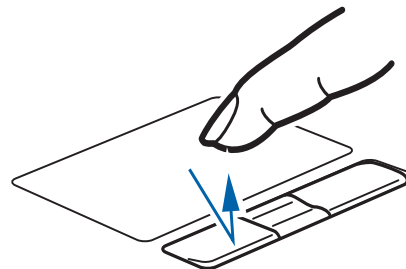
Il y a à droite du pavé tactile une fossette arrondie d'environ 2,5 cm (1 pi) de diamètre. Il s'agit d'un bouton de défilement qui sert à faire défiler les pages d'un document vers le haut ou le bas, ainsi qu'à agrandir ou rétrécir des photos. Remarque : en fait, le bouton de défilement ne bouge pas, c'est l'action de votre doigt sur cette zone qui produit le défilement.



- LE BOUTON DE DÉFILEMENT PEUT ÊTRE REMPLACÉ PAR UN CAPTEUR D'EMPREINTES DIGITALES EN OPTION. POUR OBTENIR DES RENSEIGNEMENTS SUR L'UTILISATION DE CE CAPTEUR EN OPTION, REPORTEZ-VOUS À « ANNEXE B : CAPTEUR D'EMPREINTES DIGITALES » EN PAGE 153.
- UNE SOURIS EXTERNE PEUT ÊTRE CONNECTÉE AUX PORTS USB DE VOTRE ORDINATEUR LIFEBOOK (OU SUR LE DUPLICATEUR DE PORTS DISPONIBLE EN OPTION), LAQUELLE PEUT ENSUITE ÊTRE UTILISÉE SIMULTANÉMENT AVEC LE PAVÉ TACTILE TOUCHPAD. CEPENDANT, SI VOUS DÉMARREZ VOTRE ORDINATEUR AVEC UNE SOURIS EXTERNE DÉJÀ CONNECTÉE, LE PAVÉ TACTILE TOUCHPAD SERA PAR DÉFAUT ACTIVÉ OU DÉSACTIVÉ SELON LES PARAMÈTRES DE VOTRE BIOS. VOIR « UTILITAIRE DE CONFIGURATION DU BIOS » EN PAGE 47.

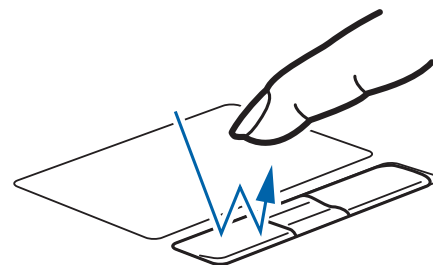
## Cliquer

Cliquer signifie enfoncer et relâcher un bouton. Pour cliquer à gauche, placez le curseur sur l'élément que vous désirez sélectionner, puis enfoncez et relâchez immédiatement le bouton gauche. Pour cliquer à droite, placez le curseur sur l'élément que vous désirez sélectionner, puis enfoncez et relâchez immédiatement le bouton droit. Vous pouvez également cliquer en frappant une fois le pavé tactile avec délicatesse.



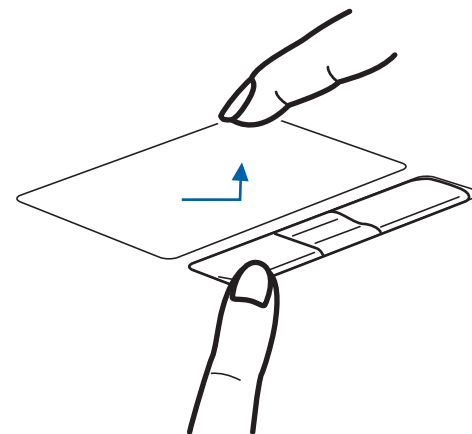
## Double-cliquer

Double-cliquer signifie cliquer rapidement, deux fois de suite, avec le bouton gauche. Cette procédure ne fonctionne pas avec le bouton droit. Pour effectuer un double-clic, placez le pointeur sur l'objet voulu et appuyez rapidement deux fois sur le bouton gauche. Vous pouvez également effectuer un double-clic en tapant deux fois légèrement sur le Touchpad.



## Glisser

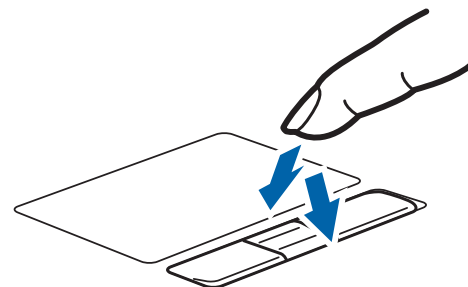
Glisser signifie enfoncer le bouton gauche, sans le relâcher, en déplaçant le curseur. Pour faire glisser un élément, placez d'abord le curseur sur cet élément. Ensuite, enfoncez et tenez le bouton gauche tout en déplaçant l'élément à son nouvel emplacement, puis relâchez. Vous pouvez également glisser un élément avec le pavé tactile Touchpad. Premièrement, placez le curseur sur l'élément que vous désirez déplacer et frappez légèrement le pavé tactile Touchpad à deux reprises en faisant attention de laisser le doigt sur le pavé après la dernière frappe. Ensuite, glissez votre doigt sur le pavé tactile jusqu'à ce que l'élément soit à l'emplacement désiré et retirez votre doigt.



## Défiler

Le bouton de défilement permet de parcourir rapidement des pages sans avoir à utiliser les barres de défilement de la fenêtre. Cette fonction est particulièrement utile lorsque vous naviguez sur des sites Internet. Pour utiliser le bouton de défilement, appuyez sur le croissant en haut ou en bas du bouton et vous verrez la page défiler vers le haut ou vers le bas, selon le cas. Relâchez le bouton lorsque vous avez atteint les informations qui vous intéressent.

Si votre système est doté du capteur d'empreintes digitales en option, vous pouvez utiliser ce dernier pour faire défiler des pages en y faisant glisser votre doigt vers le haut ou vers le bas. Voir « Annexe B : Capteur d'empreintes digitales » en page 153.



## Utilisation du bouton de défilement

Le bouton de défilement a la forme d'une « fossette » arrondie à droite du pavé tactile (*Figure 8*). En fait, cette roulette ne tourne pas, c'est le mouvement circulaire que vous y imprimez avec le doigt qui fait défiler les pages et listes, comme si vous utilisiez une barre de défilement. Vous pouvez vous en servir pour agrandir ou rétrécir des photos. Pour ce faire, mettez le curseur sur une photo et déplacez votre doigt horizontalement sur la zone de défilement pour agrandir ou rétrécir la taille de la photo.

## Naviguer avec la commande gestuelle

Le pavé tactile vous permet de faire des agrandissements et rétrécissements sur une page, ou de parcourir rapidement des documents volumineux.

### Agrandissements :

Pour agrandir une page à l'aide du pavé tactile, il suffit de mettre deux doigts sur le pavé et de les éloigner l'un de l'autre. (Voir Figure 9)

### Rétrécissements :

Pour rétrécir une page à l'aide du pavé tactile, il suffit de mettre deux doigts sur le pavé et de les rapprocher l'un de l'autre. (Voir Figure 10)

## Défilement continu :

Pour parcourir un long document avec les commandes gestuelles, maintenez votre doigt sur la partie droite du pavé tactile pendant quelques secondes jusqu'à ce qu'une icône circulaire apparaisse, puis déplacez votre doigt en dessinant un mouvement circulaire dans le sens horaire pour défiler vers le bas, ou dans le sens anti-horaire pour défiler vers le haut. Pour faire défiler un document d'un côté à l'autre, maintenez votre doigt sur le bord inférieur du pavé tactile pendant quelques secondes jusqu'à ce qu'une icône apparaisse, puis déplacez votre doigt en un mouvement circulaire dans le sens horaire pour défiler vers la droite, et dans le sens anti-horaire pour défiler vers la gauche. (Figure 11)

## Accélération :

Pour augmenter la vitesse de déplacement du curseur, faites glisser votre doigt rapidement sur le TouchPad. (Voir Figure)

## Navigation gestuelle :

Sur le pavé tactile, faites glisser deux doigts vers la droite ou la gauche : l'effet est le même qu'avec les boutons [Avancer] ou [Reculer] d'applications telles qu'Internet Explorer.

## Rotation pivot :

Pour faire tourner des fichiers (ex. PDF) ou des images à l'aide du pavé tactile, placez un doigt sur le pavé tactile puis dessinez un cercle avec un second doigt.

## Activation/désactivation des fonctions gestuelles :

- 1 Pour activer ou désactiver les fonctions gestuelles, allez à Démarrer > **Panneau de configuration** > **Périphériques** (ou Matériel ou Équipement) et Sons.
- 2 Double-cliquez sur **Souris**, la fenêtre des propriétés de la souris apparaît alors.
- 3 Sélectionnez l'onglet **Réglages du dispositif** puis cliquez sur le bouton [Réglages...].
- 4 Pour activer/désactiver le défilement continu : Sélectionnez **Défilement virtuel** sur le panneau de gauche, cochez **Activer le défilement vertical** et/ou **Activer le défilement horizontal**, puis cochez la case « Déplacement circulaire ».
- 5 Pour activer/désactiver la fonction zoom, sélectionnez **Déplacement du pointeur** dans le panneau de gauche, puis cochez la case Pincer.
- 6 Pour activer ou désactiver la fonction d'accélération, sélectionnez **Mouvement du pointeur** dans le panneau de gauche, puis **Momentum (Accélération)**, et enfin cochez la case **Enable Momentum (Activer l'accélération)**.

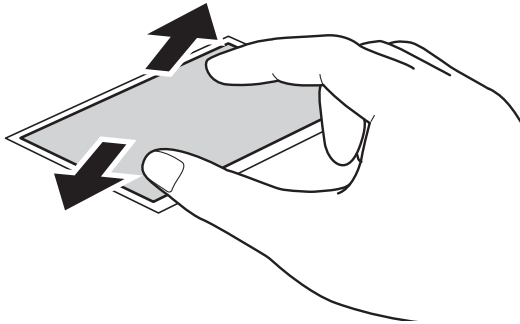


Figure 9. Agrandissement à l'aide du pavé tactile

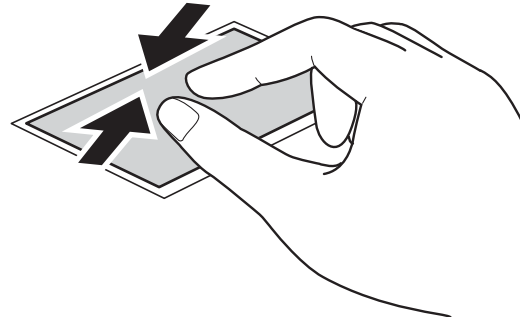


Figure 10. Rétrécissement à l'aide du pavé tactile

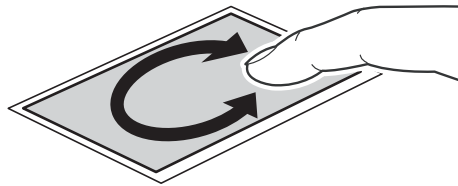


Figure 11. Défilement continu

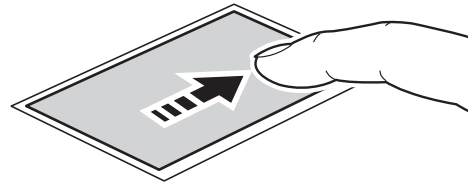


Figure 12. Accélération des mouvements du curseur

## Réglage des commandes du pavé Touchpad

Le panneau de configuration vous permet de personnaliser votre pavé tactile TouchPad avec divers paramètres disponibles dans la boîte de dialogue Propriétés de la souris. Si vous désirez modifier les paramètres ou les actions effectuées par le pavé tactile :

**1** Allez à Démarrer > **Panneau de configuration** > **Matériel et Sons**.

Double-cliquez sur **Souris**, la fenêtre des propriétés de la souris apparaît alors. Sélectionnez un onglet parmi les dix à disposition et vous pourrez modifier les paramètres du pavé tactile.

## Réglage du volume

Votre ordinateur LIFEBOOK Fujitsu est doté de plusieurs commandes de volume fonctionnant en interaction.



LES APPLICATIONS POUVANT REPRODUIRE DES FICHIERS AUDIO PROPOSENT ÉGALEMENT LEUR PROPRE COMMANDE DE VOLUME (COMMANDE LOGICIELLE). SI VOUS INSTALLEZ UN PÉRIPHÉRIQUE AUDIO EXTERNE DOTÉ D'UNE COMMANDE DE VOLUME INDÉPENDANTE, LA COMMANDE DE VOLUME DE L'APPAREIL ET LA COMMANDE DE VOLUME LOGICIELLE FONCTIONNERONT EN INTERACTION. VOUS DEVEZ TOUTEFOIS SAVOIR QUE SI VOUS COUPEZ LE VOLUME AVEC LA COMMANDE LOGICIELLE, LA COMMANDE DE VOLUME EXTERNE SERA ÉGALEMENT DÉSACTIVÉE.

## Réglage du volume

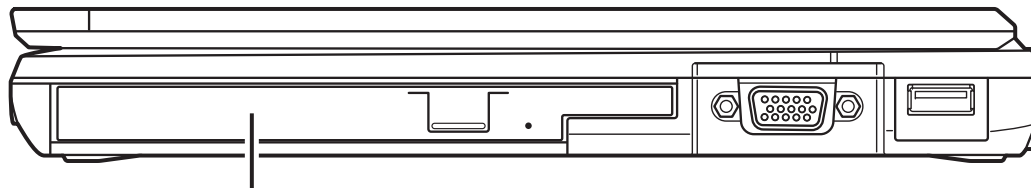
Le volume peut être réglé de plusieurs manières :

- Vous pouvez aussi ajuster et couper/remettre le volume avec l'icône de volume dans la zone de notification.
- Le volume peut également être réglé avec les touches de fonction [F8] et [F9]. Gardez la touche [Fn] enfoncée et appuyez plusieurs fois sur [F8] pour réduire le volume sonore de l'ordinateur. Gardez la touche [Fn] enfoncée et appuyez plusieurs fois sur [F9] pour augmenter le volume sonore de l'ordinateur.
- Gardez la touche [Fn] enfoncée et appuyez sur la touche [F3] pour couper le son. Pour rétablir le son, appuyez de nouveau sur [Fn+F3].
- Le volume peut aussi être réglé avec les commandes de volume proposées par diverses applications.
- Certains périphériques audio pouvant être connectés à votre système sont dotés de commandes de volume.

Chaque commande de volume ci-dessus impose une limite supérieure s'appliquant aux autres commandes.

Nous vous recommandons d'essayer les différentes commandes pour découvrir le réglage vous convenant le mieux.





Lecteur optique (lecteur optique pré-installé illustré)

**Figure 13. Compartiment multifonction**

## Périphériques pour le compartiment multifonction

Votre ordinateur portable Fujitsu LIFEBOOK est doté d'un compartiment multifonction (ou baie modulaire). Le compartiment multifonction peut accueillir une grande variété de périphériques. L'un des périphériques indiqués ci-dessous sera installé dans le compartiment multifonction.

- Graveur de DVD multiformat double couche : Ce lecteur vous permet de lire des films, des logiciels et des DVD/CD audio, ainsi que d'enregistrer des DVD, des CD et des DVD-RAM
- Lecteur modulaire Blu-ray® RW : Ce lecteur vous permet de lire des films, des logiciels, des DVD/CD audio et des disques Blu-ray, ainsi que d'enregistrer des disques Blu-ray
- Projecteur de baie modulaire
- Batterie au lithium modulaire : Cette batterie rechargeable peut être utilisée pour alimenter votre ordinateur LIFEBOOK lorsque aucun adaptateur n'y est connecté.
- Volet réducteur de poids : Ce volet permet de remplir la baie lorsque vous n'y insérez aucun périphérique.

## Retrait et installation de périphériques modulaires

Il y a deux façons de retirer et d'installer des dispositifs modulaires dans le compartiment multifonction :

- Installation hors tension : installation ou remplacement d'un périphérique lorsque votre ordinateur portable LIFEBOOK est éteint.
- Installation sous tension : installation ou remplacement d'un périphérique lorsque le système fonctionne, grâce à l'icône « Déconnecter/Éjecter en toute sécurité » de votre zone de notification.

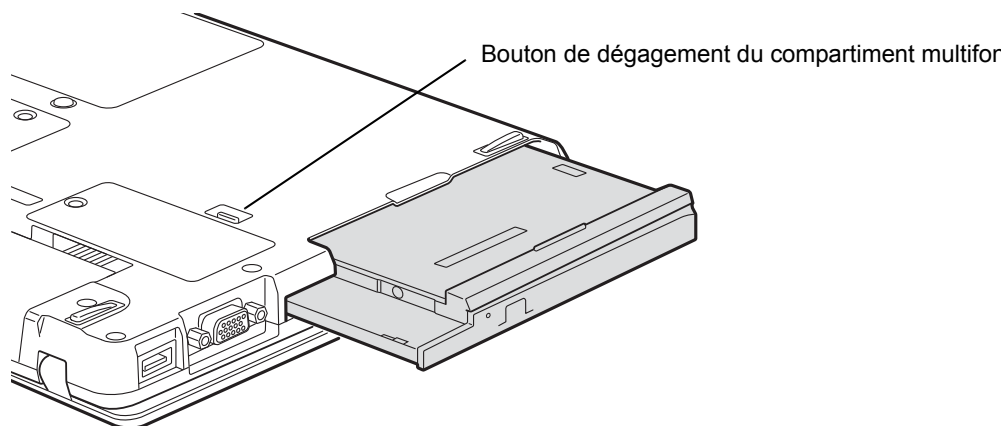


LE COMPARTIMENT MULTIFONCTION NE DOIT JAMAIS ÊTRE VIDE LORSQUE L'ORDINATEUR EST EN MARCHÉ. SI VOUS LA LAISSEZ VIDE, DE LA POUSSIÈRE ET DES CORPS ÉTRANGERS PEUVENT S'INFILTRER DANS L'ORDINATEUR.

## Remplacement hors tension

Pour remplacer à froid un périphérique modulaire dans le compartiment multifonction, procédez comme suit :

- 1 Fermez tous les fichiers ouverts.
- 2 Éteignez votre ordinateur portable LIFEBOOK.
- 3 Retournez l'ordinateur à l'envers.



**Figure 14. Retrait/installation d'un dispositif du/dans le compartiment multifonction**

- 4 Lorsque vous appuyez sur le bouton de dégagement du compartiment conformément à la Figure 14, retirez le module du compartiment jusqu'à ce qu'il soit complètement dégagé. Vous devrez utiliser une force légère.
- 5 Insérez le périphérique que vous désirez installer dans l'ordinateur jusqu'à ce qu'il s'enclenche.

**6** Vous pouvez maintenant rallumer votre ordinateur en toute sécurité.

Votre ordinateur détectera automatiquement le nouveau périphérique et l'activera lors du démarrage du système. Une lettre de désignation du périphérique sera attribuée et visible dans le Poste de travail et l'Explorateur Windows.

### **Remplacement sous tension**

Pour remplacer un périphérique à chaud, employez l'utilitaire « Déconnecter ou éjecter un périphérique en toute sécurité ». L'icône de cet utilitaire est disponible dans la zone de notification. Cliquez sur l'icône et suivez les instructions s'affichant à l'écran.

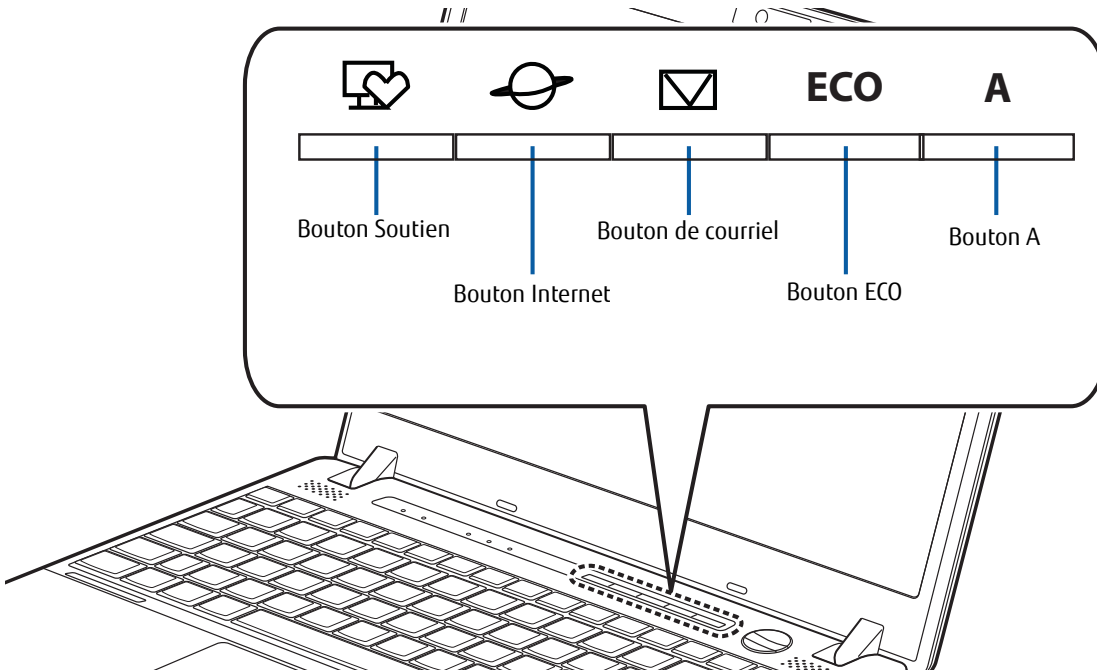


Figure 15. Tableau d'applications LIFEBOOK

## Tableau d'applications LIFEBOOK/bouton de soutien

Le tableau d'applications contient des boutons vous permettant de lancer directement des applications lorsque le système est en marche. Il contient également un bouton de soutien vous permettant de lancer l'utilitaire Centre de soutien Fujitsu ou une autre application configurée par l'utilisateur.

Les paramètres par défaut des boutons sont les suivants :

- **Bouton Soutien** - Démarre le Centre de soutien Fujitsu (*Voir « Ouvrir le Centre de soutien Fujitsu à l'aide du bouton Soutien » en page 38*)
- **Bouton Internet** - Lance automatiquement Internet Explorer.

- **Bouton de courriel** - Lance automatiquement Microsoft Outlook Express, lequel vous permet de lire, rédiger et envoyer des courriels. Notez que lorsque l'ordinateur est éteint, le fait d'appuyer sur ce bouton vous permet de voir l'état actuel de la batterie grâce aux voyants d'état et de niveau de charge de la batterie.
- **Bouton ECO** - Démarre automatiquement l'utilitaire Économiseur d'énergie
- **Bouton d'application A** - Lance l'application associée au bouton.

## Lancement d'applications avec le tableau d'applications LIFEBOOK

Votre ordinateur portable possède des utilitaires préinstallés vous permettant d'utiliser et de configurer votre tableau d'applications LifeBook. Ils se trouvent dans le menu **Démarrer**, sous **Panneau de configuration** (sélectionnez un des affichages d'icônes) > **Tableau d'applications** (ou « **Bouton** », pour certaines configurations). L'utilitaire comprend un onglet appelé « **Configuration du tableau d'applications** ».

## Configuration de votre tableau d'applications LIFEBOOK

Lorsque vous démarrez Windows, le tableau d'applications LifeBook est automatiquement activé. Lorsqu'il est utilisé à titre de démarreur d'applications, le tableau d'applications LIFEBOOK est d'une très grande souplesse, vous offrant un vaste choix d'options. L'utilitaire de configuration du tableau d'applications permet de configurer rapidement et aisément le tableau selon vos besoins, afin d'en tirer le maximum.

**Pour configurer le tableau d'applications avec l'utilitaire Configuration du tableau d'applications, exécutez les opérations suivantes :**

- 1 Cliquez sur [Démarrer].
- 2 Cliquez sur **Programmes**, puis sur **Tableau d'applications LIFEBOOK**.
- 3 Cliquez sur « **Configuration du tableau d'applications** ». Le système ouvre l'utilitaire de configuration du tableau d'applications. Vous voyez apparaître des onglets correspondant aux boutons du tableau d'applications LIFEBOOK. Lorsque vous recevez votre ordinateur portable, ces boutons sont préalablement configurés pour ouvrir certaines applications (comme mentionné ci-dessus).



IL EST POSSIBLE QUE LES ONGLETS DE LA FENÊTRE CONFIGURATION DU TABLEAU D'APPLICATIONS NE SOIENT PAS DANS LE MÊME ORDRE QUE LES BOUTONS DE VOTRE ORDINATEUR LIFEBOOK. VOUS DEVEZ DONC FAIRE TRÈS ATTENTION LORSQUE VOUS SÉLECTIONNEZ UN ONGLET QUE VOUS DÉSIREZ MODIFIER.

Pour changer l'application associée à un bouton d'application, cliquez sur l'onglet du bouton que vous désirez reconfigurer. Sélectionnez l'option [Parcourir] du menu **Démarrer**, cliquez sur l'application voulue dans la liste, puis sur [OK]. Le bouton est dorénavant configuré pour lancer la nouvelle application.

L'onglet **Internet** est différent. Il est réglé pour lancer le navigateur Internet par défaut de Windows (Internet Explorer, à moins que vous ne l'ayez changé dans Windows). Pour le reconfigurer afin qu'il lance un autre programme, procédez comme suit :

- 1 Sélectionnez l'onglet Internet dans les paramètres de boutons
- 2 Cliquez sur [Enregistrement de l'application...]
- 3 L'option « Démarrer le navigateur » est sélectionnée par défaut
- 4 Si vous désirez que ce bouton fasse démarrer une autre application, sélectionnez « Démarrer un programme » et cliquez sur [Suivant]
- 5 Sélectionnez « Sélectionner depuis le menu Démarrer »
- 6 Sélectionnez une application dans la liste « Menu Démarrer » et cliquez sur [Suivant]
- 7 Choisissez l'option Notification de son, puis cliquez sur [Suivant] et [Terminer]



SI VOTRE SYSTÈME A ÉTÉ CONFIGURÉ POUR QUE L'UN DES BOUTONS D'APPLICATION LANCE UN NAVIGATEUR INTERNET, CE BOUTON PEUT ENCORE ÊTRE RECONFIGURÉ POUR LANCER UNE AUTRE APPLICATION DE VOTRE CHOIX.

Quand vous en aurez terminé avec la configuration du tableau d'applications, cliquez sur [OK] pour que les nouveaux paramètres prennent effet. Vous pouvez reconfigurer votre tableau d'applications LIFEBOOK aussi souvent que vous le désirez.

### Ouvrir le Centre de soutien Fujitsu à l'aide du bouton Soutien

Le bouton Soutien effectue différentes actions selon que le système est éteint ou en marche.

Lorsque l'ordinateur démarre, le bouton de soutien peut être utilisé pour ouvrir le menu d'amorçage Fujitsu, lequel permet de sélectionner **Restauration et Utilitaires** pour exécuter un certain nombre de fonctions, dont la restauration du système.

Après le démarrage du système d'exploitation, le bouton [Soutien] permet de faire appel à l'utilitaire Centre de soutien Fujitsu, lequel comprend trois onglets : **Manuel**, **Programme de diagnostics** et **Soutien**.

## Onglet Manuel

L'onglet **Manuel** vous permet d'accéder directement au site de soutien en ligne Fujitsu pour y trouver le Guide d'utilisation et le télécharger sur l'ordinateur (pour utiliser cette fonction, vous devez avoir une connexion Internet active).

## Onglet Programme de diagnostics

L'onglet **Programme de diagnostics** vous permet de redémarrer automatiquement l'ordinateur puis d'ouvrir le menu d'amorçage à partir duquel vous pouvez sélectionner le **Programme de diagnostics** ou la fonctionnalité **Restauration et Utilitaires** (comme si vous enfonciez le bouton lorsque l'ordinateur est éteint). L'onglet **Diagnostic** vous permet également de consulter les informations relatives à votre système.

## Onglet Soutien

L'onglet **Soutien** vous permet d'accéder directement au site de soutien en ligne (pour utiliser cette fonction, vous devez avoir une connexion Internet active).

## Chapitre 2

# Première mise en marche de votre ordinateur portable LIFEBOOK

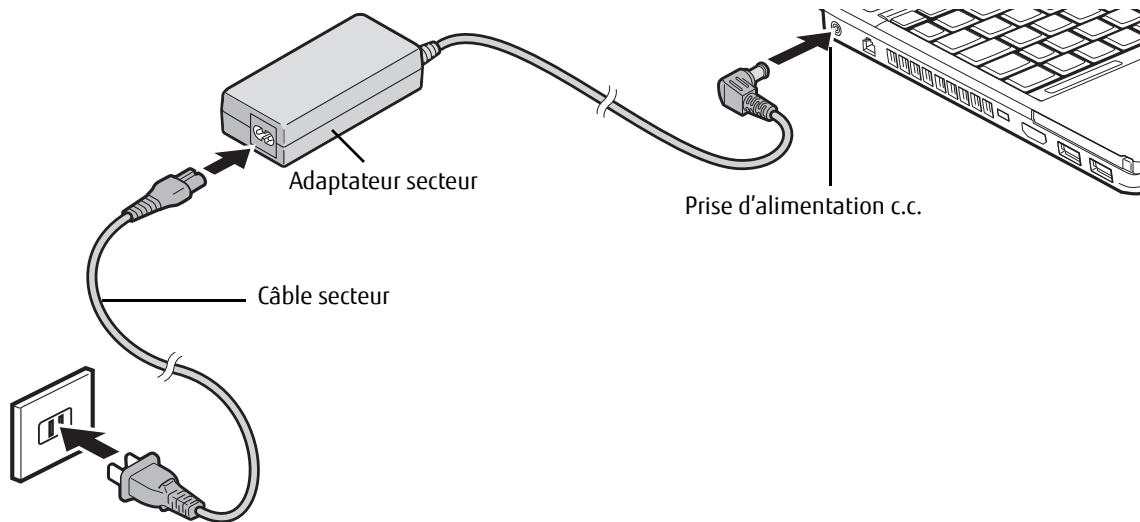


Figure 16. Connexion de l'adaptateur secteur



## Sources d'alimentation

Votre ordinateur portable LIFEBOOK Fujitsu peut utiliser trois sources d'alimentation différentes : une batterie au lithium principale, un adaptateur secteur et un adaptateur auto/avion.

### Connexion des adaptateurs d'alimentation

L'adaptateur secteur et l'adaptateur auto/avion disponible en option permettent tous deux de faire fonctionner votre ordinateur portable et de charger les batteries.

#### Connexion de l'adaptateur secteur

- 1 Branchez le câble de sortie c.c. dans la prise d'alimentation c.c. de votre ordinateur LIFEBOOK.
- 2 Branchez l'adaptateur secteur sur une prise électrique secteur (c.a.).

#### Connexion de l'adaptateur auto/avion disponible en option

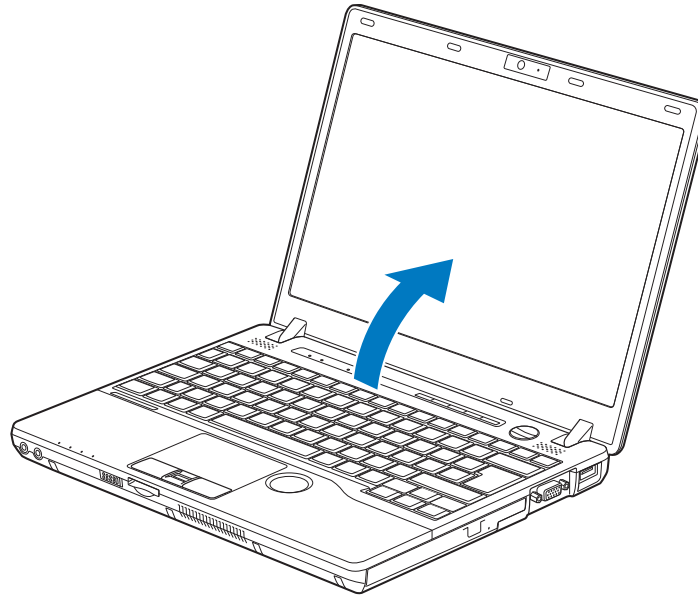
- 1 Branchez le câble de sortie c.c. sur la prise d'alimentation c.c. de votre ordinateur portable.
- 2 Branchez l'adaptateur auto/avion sur une prise d'allume-cigarette d'un véhicule automobile et placez le contact d'allumage sur la position Marche ou Accessoires,  
OU
- 3 Branchez l'adaptateur auto/avion sur la prise d'alimentation c.c. de votre siège d'avion.

#### Passer d'une alimentation sur adaptateur secteur ou auto/avion à une alimentation sur batterie

- 1 Assurez-vous qu'au moins une batterie chargée est installée dans votre ordinateur.
- 2 Débranchez l'adaptateur secteur ou l'adaptateur auto/avion.



LORSQUE VOUS RECEVEZ VOTRE NOUVEL ORDINATEUR, LA BATTERIE AU LITHIUM N'EST PAS CHARGÉE. LORS DE LA PREMIÈRE UTILISATION DE VOTRE ORDINATEUR, VOUS DEVEZ CONNECTER L'ADAPTATEUR SECTEUR OU L'ADAPTATEUR AUTO/AVION.



**Figure 17. Ouverture de l'écran**

## **Écran**

Votre ordinateur portable LIFEBOOK Fujitsu comporte un écran à rétro-éclairage permettant une lecture facile dans les environnements à forte luminosité. Cet écran offre également une excellente résolution grâce à une technologie de matrice active.

### **Ouverture de l'écran**

Soulevez l'écran et inclinez-le légèrement vers l'arrière jusqu'à une position confortable, en faisant attention de ne pas toucher à la surface d'affichage.

### **Réglage de la luminosité de l'écran**

Lorsque vous avez allumé votre ordinateur portable, vous pouvez régler la luminosité de l'écran à un niveau plus confortable. Il y a trois façons d'ajuster la luminosité : en utilisant le clavier, les Options d'alimentation ou le Centre de mobilité Windows.



VEUILLEZ PRENDRE NOTE QUE LES NOUVEAUX PARAMÈTRES SONT TEMPORAIRES PAR DÉFAUT, MAIS VOUS POUVEZ LES RENDRE PERMANENTS SI VOUS UTILISEZ L'UTILITAIRE OPTIONS D'ALIMENTATION DU PANNEAU DE CONFIGURATION.

## Utilisation du clavier

Lorsque vous réglez la luminosité avec le clavier, le réglage n'est valide que temporairement.

- [Fn+F6] : Appuyez plusieurs fois sur cette combinaison de touches pour diminuer la luminosité de votre écran.
- [Fn+F7] : Appuyez plusieurs fois sur cette combinaison de touches pour augmenter la luminosité de votre écran.

## Utilisation des options d'alimentation

Si vous désirez changer la luminosité en utilisant les Options d'alimentation, ouvrez le Panneau de configuration. Sélectionnez un des affichages d'icônes puis cliquez sur l'icône Options d'alimentation. Dans le panneau de gauche, sélectionnez Ajuster la luminosité d'affichage, puis faites glisser les barres de luminosité jusqu'au niveau souhaité. Remarque : les paramètres que vous définissez avec cet utilitaire deviennent permanents jusqu'à ce que vous les changiez à nouveau.

## À l'aide du Centre de mobilité Windows

Dans le Panneau de configuration, sélectionnez un des affichages par icônes. Cliquez sur l'icône **Centre de mobilité Windows**. Faites glisser la barre de **luminosité d'affichage** jusqu'au niveau souhaité.

## Réglage de la luminosité avec l'utilitaire de gestion de l'alimentation

Pour régler la luminosité avec l'utilitaire de gestion de l'alimentation :

Cliquez sur Démarrer -> **Panneau de configuration**. Dans « **Affichage par :** », sélectionnez un des affichages par icônes. Sélectionnez **Écran** puis cliquez sur **Régler la luminosité** dans le panneau de gauche. Faites glisser la barre **Luminosité de l'écran** vers la gauche ou la droite selon vos préférences.



- LORSQUE VOUS EMPLOYEZ UNE ALIMENTATION SECTEUR, L'ÉCRAN UTILISE PAR DÉFAUT LE NIVEAU DE LUMINOSITÉ LE PLUS ÉLEVÉ. LORSQUE VOUS EMPLOYEZ UNE ALIMENTATION SUR BATTERIE, L'ÉCRAN UTILISE PAR DÉFAUT UN NIVEAU DE LUMINOSITÉ MOYEN.
- PLUS LA LUMINOSITÉ EST ÉLEVÉE, PLUS L'ORDINATEUR CONSOMME D'ÉNERGIE ET PLUS LA LONGÉVITÉ DE VOTRE BATTERIE SERA RÉDUITE. SI VOUS DÉSIREZ MAXIMISER LA LONGÉVITÉ DE LA BATTERIE, RÉGLEZ LA LUMINOSITÉ AU PLUS BAS NIVEAU POSSIBLE.

## Fermeture de l'écran

Pour refermer l'écran, saisissez-en le bord et abaissez-le vers l'avant jusqu'à ce qu'il soit appuyé contre le boîtier principal de votre ordinateur.

## Utilisation simultanée de plusieurs écrans

Votre système permet d'utiliser jusqu'à trois écrans en même temps. Selon la configuration de votre système et de votre duplicateur de ports optionnel (si vous en avez un), il est possible que certains types de ports ci-dessous ne soient pas disponibles sur votre système. La fonction d'affichage sur trois écrans est compatible avec les types de ports suivants :

- ACL du système
- Port DisplayPort (sur le système)
- Port DisplayPort (sur le duplicateur de ports)
- Port VGA (sur le duplicateur de ports)

Les combinaisons d'affichage sur 3 écrans possibles avec votre système sont indiquées dans le tableau ci-dessous :

	Ports de système/affichage			Ports de duplicateur de ports		
	ACL du système	Port DisplayPort	VGA	Port DisplayPort	DVI	VGA
1	X	X		X		
2		X		X		X

Si vous avez connecté deux écrans externes à votre système/duplicateur de ports, le menu d'affichage actif apparaît dans la propriété Graphiques où vous pouvez sélectionner trois écrans.

# Démarrage de votre ordinateur portable LIFEBOOK

## Mise sous tension

### Alimentation Bouton d'alimentation/veille/reprise

Le bouton d'alimentation/veille/reprise permet d'allumer votre ordinateur LIFEBOOK, de le mettre en sommeil ou en veille prolongée et de le réveiller s'il est en sommeil ou en veille prolongée. (Vous pouvez également vous servir de ce bouton pour mettre le système hors tension lorsque vous l'enfoncez pendant environ cinq secondes. Ceci s'avère parfois utile lorsque le système cale. Toutefois, cette façon de mettre l'ordinateur hors tension ne doit pas être utilisée régulièrement.) Vous pouvez aussi éteindre l'ordinateur en cliquant sur la petite flèche en bas à droite de la fenêtre du menu Démarrer, puis sur Arrêter.



LORSQUE VOUS DÉSIREZ ALLUMER VOTRE ORDINATEUR LIFEBOOK, ASSUREZ-VOUS D'AVOIR UNE SOURCE D'ALIMENTATION ACTIVE. VOUS DEVEZ DONC AVOIR AU MOINS UNE BATTERIE INSTALLÉE ET CHARGÉE OU AVOIR CONNECTÉ L'ADAPTATEUR SECTEUR OU L'ADAPTATEUR AUTO/AVION DANS UNE PRISE SOUS TENSION.

Pour allumer votre ordinateur portable LIFEBOOK, vous devez connecter votre adaptateur secteur ou disposer d'une batterie au lithium chargée. (Figure 18)

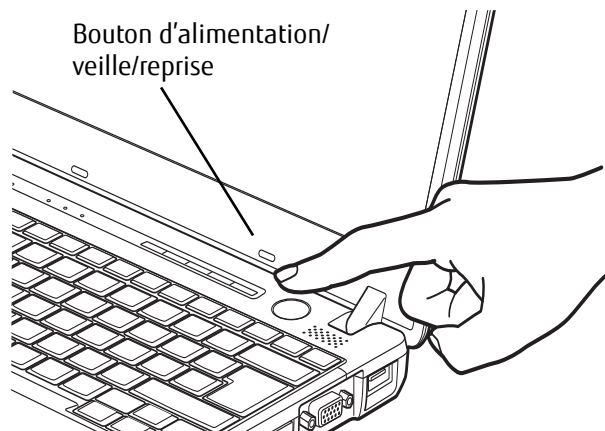


Figure 18. Mise sous tension du système



VOUS NE DEVEZ PAS TRANSPORTER L'ORDINATEUR SOUS TENSION NI LE SOUMETTRE À DES VIBRATIONS OU DES CHOCS, CAR CELA RISQUERAIT DE L'ENDOMMAGER.

Lorsque vous allumez votre ordinateur LIFEBOOK, ce dernier exécute un auto-diagnostic de mise sous tension pour vérifier les composants internes et la configuration. Si une anomalie est découverte, votre ordinateur émet un avertissement audio et affiche un message d'erreur. Selon la nature du problème, vous pourrez poursuivre le démarrage du système d'exploitation ou vous devrez ouvrir l'utilitaire de configuration du BIOS pour corriger certains paramètres.

Une fois les diagnostics terminés, le LIFEBOOK charge le système d'exploitation.



VOUS NE DEVEZ JAMAIS ÉTEINDRE VOTRE ORDINATEUR DURANT L'AUTO-DIAGNOSTIC DE MISE SOUS TENSION. AUTREMENT, LA PROCHAINE FOIS QUE VOUS ALLUMEREZ L'ORDINATEUR, CE DERNIER AFFICHERA UN MESSAGE D'ERREUR.

## Séquence d'amorçage

La procédure de démarrage de l'ordinateur invoque une procédure d'amorçage, laquelle fait d'abord appel au BIOS. La première fois que votre ordinateur portable est allumé, la mémoire principale du système est vide et doit trouver les instructions de démarrage de l'ordinateur. Ces informations se trouvent dans le programme BIOS. Chaque fois que vous démarrez ou redémarrez votre ordinateur, il exécute une procédure d'amorçage et l'écran affiche le logo Fujitsu jusqu'à ce que le système d'exploitation soit chargé. Cette procédure comporte diverses opérations dont un auto-test de mise sous tension. Si la procédure d'amorçage est exécutée sans échec et sans demande d'accès à l'utilitaire de configuration du BIOS, le message de bienvenue du système d'exploitation s'affiche.

La procédure d'amorçage est exécutée lorsque :

- Vous allumez votre ordinateur portable LIFEBOOK.
- Vous faites redémarrer l'ordinateur à partir du menu (ou boîte de dialogue) Arrêt de Windows.
- Un logiciel déclenche un redémarrage du système (par exemple, lorsque vous installez une nouvelle application).

## Mots de passe d'accès au disque dur

Pour mieux sécuriser vos données, vous pouvez créer des mots de passe contrôlant l'accès au(x) disque(s) dur(s). Cette fonction est gérée par l'utilitaire de configuration BIOS. Pour savoir comment procéder, reportez-vous à la section *Utilitaire de configuration du BIOS* ci-après.



**RETENEZ BIEN VOS MOTS DE PASSE.** SI VOUS CONFIGUREZ DES MOTS DE PASSE DE MAÎTRE ET D'UTILISATEUR, PUIS QUE VOUS LES OUBLIEZ, FUJITSU AMERICA NE POURRA PAS RÉINITIALISER VOTRE SYSTÈME. VOUS RISQUERIEZ ALORS DE PERDRE DES DONNÉES ET DE DEVOIR REMPLACER VOTRE CARTE SYSTÈME OU VOTRE DISQUE DUR.

## Utilitaire de configuration du BIOS

L'utilitaire de configuration du BIOS définit l'environnement de fonctionnement de votre ordinateur. Votre BIOS a été configuré en usine pour des conditions d'utilisation normales. Vous ne devriez donc pas avoir à configurer ni à modifier votre environnement BIOS pour utiliser l'ordinateur.

L'utilitaire de configuration du BIOS permet également de paramétrer des propriétés telles que la sécurité des données système ou les mots de passe.

### Entrée dans l'utilitaire de configuration du BIOS

Pour ouvrir l'utilitaire de configuration du BIOS, exécutez les opérations suivantes :

- 1 Allumez ou redémarrez votre ordinateur portable LIFEBOOK.
- 2 Pour accéder à l'utilitaire, appuyez sur la touche [F2] lorsque le logo Fujitsu apparaît à l'écran. Le menu principal de l'utilitaire de configuration du BIOS s'affichera avec les paramètres courants.

Avec la touche fléchée à droite ou à gauche, parcourez les autres menus de configuration et vérifiez/modifiez les paramètres actuels.

### Guide d'information sur le BIOS

Un guide sur le BIOS du LIFEBOOK est accessible en ligne sur le site Internet de support et d'assistance de Fujitsu, à l'adresse : <http://solutions.us.fujitsu.com/www/content/support/contact/index.php>. Une fois sur le site, sélectionnez « User's Guides » (Guides d'utilisation) sous « Online Support » (Assistance en ligne). Sélectionnez votre produit, sa série et son modèle, puis cliquez sur [Go].



SI VOS PARAMÈTRES DE SÉCURITÉ DE DONNÉES L'EXIGENT, IL EST POSSIBLE QUE VOUS DEVIEZ SAISIR UN MOT DE PASSE AVANT D'OUVRIRE LE MENU PRINCIPAL DU BIOS.

## Amorçage du système

Il est fortement recommandé de ne pas installer de périphérique externe et de ne pas insérer de DVD/CD dans votre lecteur tant que la procédure de démarrage n'est pas entièrement terminée.

La première fois que vous allumez votre ordinateur portable LIFEBOOK, l'écran affiche le logo Fujitsu. Si vous n'intervenez pas, l'ordinateur charge le système d'exploitation et lance la procédure d'ouverture Windows.

## Premier démarrage de Windows

La première fois que vous faites démarrer le système et que vous suivez les instructions à l'écran, vous voyez apparaître une fenêtre de bienvenue. Après l'affichage de la fenêtre de bienvenue, l'écran se vide complètement **pendant plusieurs minutes**. Cela est normal. **DURANT CETTE PÉRIODE, VOUS NE DEVEZ PAS TENTER D'ÉTEINDRE LE SYSTÈME**. Pendant que l'écran est vide, le système se configure et plusieurs fichiers importants sont installés.

Lors du premier démarrage, vous devrez lire et accepter les contrats de licence d'utilisation de Microsoft et Fujitsu.



- SI VOUS REFUSEZ D'ACCEPTER LE CONTRAT DE LICENCE, LE SYSTÈME VOUS DEMANDE DE REVOIR LE CONTRAT DE LICENCE ET D'Y LIRE LES INFORMATIONS TRAITANT DE LA PROCÉDURE DE RETOUR DE WINDOWS À SON FABRICANT, OU DE SIMPLEMENT ÉTEINDRE L'ORDINATEUR.
- VOUS NE POURREZ L'UTILISER QUE SI VOUS ACCEPTEZ LE CONTRAT DE LICENCE. SI VOUS N'ALLEZ PAS AU BOUT DE CETTE PROCÉDURE, VOTRE ORDINATEUR RETOURNE À L'ÉCRAN DE BIENVENUE WINDOWS, MÊME SI VOUS ESSAYEZ D'ÉTEINDRE L'ORDINATEUR ET DE LE REDÉMARRER.

Plusieurs autres fenêtres s'afficheront, vous demandant de saisir un nom et une description pour votre ordinateur, ainsi qu'un mot de passe d'administrateur et un nom de domaine. Lisez attentivement les instructions s'affichant à l'écran et remplissez les espaces à mesure que le système vous le demande.





## Installer des applications en prime

Après le premier démarrage de votre système, une icône « Applications en prime » s'affiche sur votre bureau Windows. Cliquez sur cette icône et vous verrez une liste d'applications supplémentaires pouvant être installées. Les applications déjà installées sont affichées en gris et celles que vous pouvez installer sont affichées en bleu.

Pour sélectionner une application que vous désirez installer, cochez la case de choix à côté de l'application ou cliquez sur [Sélectionner tout] si vous désirez installer toutes les applications disponibles. Lorsque vous avez fait vos choix, cliquez sur [Installer].

Veillez prendre note que dans certains cas (selon les applications sélectionnées), il est possible que vous deviez redémarrer le système après l'installation des applications. Si vous demandez l'installation de plusieurs applications et que l'une d'elles nécessite un redémarrage du système, le redémarrage est exécuté immédiatement et les applications restantes sont ensuite installées.

## Enregistrement de votre LIFEBOOK chez Fujitsu

Pour enregistrer votre ordinateur LIFEBOOK, vous pouvez aller sur notre site Internet : <https://store.shopfujitsu.com/fpc/Ecommerce/Service.jsp>. Pour vous enregistrer en ligne, vous devez avoir un compte valide auprès d'un fournisseur d'accès Internet.

## Gestion de l'alimentation

Votre ordinateur Fujitsu LIFEBOOK possède plusieurs dispositifs permettant d'économiser l'énergie des batteries. Certaines de ces fonctions sont automatiques et n'exigent aucune intervention de l'utilisateur, mais d'autres dépendent des paramètres que vous sélectionnez en fonction des conditions d'exploitation, telles que le réglage de la luminosité. Les paramètres de gestion interne de l'alimentation peuvent être configurés dans votre système d'exploitation, dans une application intégrée de gestion de l'alimentation ou dans l'utilitaire de configuration du BIOS.

Outre les dispositifs précédents de conservation de l'énergie de la batterie, d'autres moyens sont à votre disposition pour éviter l'épuisement trop rapide de votre batterie. Par exemple, vous pouvez créer un profil de gestion de l'alimentation, vous pouvez mettre votre ordinateur en mode sommeil lorsqu'il n'exécute aucune opération ou vous pouvez limiter l'utilisation des périphériques consommant le plus d'énergie. À l'instar de tous les ordinateurs portables alimentés par batterie, vous devez trouver le meilleur compromis entre performance et rendement énergétique.

### Bouton d'alimentation/veille/reprise

Lorsque l'ordinateur est allumé, vous pouvez utiliser le bouton d'alimentation/veille/reprise pour placer manuellement l'ordinateur en mode sommeil. Assurez-vous alors que l'ordinateur n'est pas en train d'accéder à des données, puis enfoncez et relâchez immédiatement le bouton d'alimentation/veille/reprise. Vous entendez deux brefs signaux sonores et le système se place en mode sommeil.

Pour « réveiller » l'ordinateur lorsqu'il est en mode veille, appuyez de nouveau sur le bouton d'alimentation/veille/reprise. Pour savoir si le système est en mode veille, regardez le voyant lumineux d'alimentation. Si le voyant est allumé sans clignoter, l'ordinateur est entièrement fonctionnel. Si le voyant est allumé et qu'il clignote, l'ordinateur est en mode sommeil. Si le voyant est éteint, l'ordinateur est éteint ou en veille prolongée Voir « Mode veille prolongée » en page 51.

### Mode veille

Lorsque le mode sommeil est activé, Windows conserve le contenu de votre mémoire de système durant la période d'inactivité en maintenant l'alimentation de certains composants critiques. Ce mode éteint l'unité centrale, l'écran, le disque dur et tous les autres composants internes sauf ceux qui sont nécessaires pour conserver la mémoire du système et permettre son redémarrage.

Votre ordinateur portable peut être mis en sommeil de plusieurs façons :

- En appuyant sur le bouton d'alimentation/veille/reprise (si l'ordinateur est allumé).
- En sélectionnant le mode sommeil à partir du menu Arrêt de Windows.
- Lorsque le délai d'inactivité est atteint.

- En laissant la charge de la batterie descendre au niveau Avertissement de batterie faible.

Habituellement, la mémoire de système de l'ordinateur enregistre le fichier sur lequel vous travaillez, l'information sur les applications ouvertes et d'autres données nécessaires aux opérations en cours. Lorsque vous quittez le mode sommeil, l'ordinateur est rallumé dans l'état exact où vous l'avez laissé. Pour reprendre l'utilisation de l'ordinateur, vous devez employer le bouton d'alimentation/veille/reprise et vous devez disposer d'une source d'alimentation valide.



- SI L'ORDINATEUR UTILISE L'ALIMENTATION PAR BATTERIE, N'OUBLIEZ PAS QUE LA BATTERIE CONTINUE À SE DÉCHARGER MÊME EN MODE SOMMEIL, MAIS PLUS LENTEMENT QU'EN MODE DE FONCTIONNEMENT NORMAL.
- SI VOUS DÉSACTIVEZ LE BOUTON D'ALIMENTATION/VEILLE/REPRISE, VOUS NE POURREZ PLUS L'UTILISER POUR METTRE L'ORDINATEUR EN MODE SOMMEIL OU EN VEILLE PROLONGÉE (ENREGISTREMENT SUR LE DISQUE). LA FONCTION DE REPRISE DU BOUTON NE PEUT PAS ÊTRE DÉSACTIVÉE.
- IL EST POSSIBLE QU'AVEC CERTAINES CARTES PC CARD, VOUS NE PUISSIEZ PAS PLACER L'ORDINATEUR EN MODE SOMMEIL OU EN VEILLE PROLONGÉE (« ENREGISTREMENT SUR LE DISQUE »). POUR DE PLUS AMPLES INFORMATIONS, CONSULTEZ LA DOCUMENTATION DE VOTRE CARTE PC CARD. LORSQUE DES CARTES PC CARD OU DES PÉRIPHÉRIQUES EXTERNES SONT UTILISÉS, L'ORDINATEUR NE PEUT RETROUVER EXACTEMENT SON ÉTAT ANTÉRIEUR APRÈS AVOIR ÉTÉ EN VEILLE PROLONGÉE CAR TOUS LES PÉRIPHÉRIQUES EXTERNES SONT RÉINITIALISÉS DURANT LA PROCÉDURE DE REPRISE DE L'ORDINATEUR.
- SI VOTRE ORDINATEUR ACCÈDE À DES INFORMATIONS AU MOMENT OÙ VOUS LE METTEZ EN MODE SOMMEIL OU EN MODE VEILLE PROLONGÉE, LES MODIFICATIONS AUX FICHIERS OUVERTS NE SERONT PAS PERDUES. LORSQUE VOUS ACTIVEZ LE MODE SOMMEIL, LES FICHIERS SONT LAISSÉS OUVERTS ET LA MÉMOIRE DEMEURE ACTIVE. SI VOUS CHOISISSEZ LE MODE VEILLE PROLONGÉE, LA MÉMOIRE EST TRANSFÉRÉE SUR LE DISQUE DUR INTERNE.
- LE PRINCIPAL AVANTAGE DU MODE VEILLE PROLONGÉE EST QU'AUCUNE ÉNERGIE N'EST NÉCESSAIRE POUR CONSERVER VOS DONNÉES. CET AVANTAGE EST PARTICULIÈREMENT IMPORTANT SI VOUS COMPTEZ LAISSER VOTRE ORDINATEUR EN VEILLE PENDANT DE LONGUES PÉRIODES. LES PRINCIPAUX INCONVÉNIENTS DE LA VEILLE PROLONGÉE SONT UNE PLUS LONGUE DURÉE DES PROCÉDURES DE MISE EN VEILLE ET DE REPRISE, AINSI QUE LA RÉINITIALISATION DES PÉRIPHÉRIQUES.

## Mode veille prolongée

Le mode veille prolongée enregistre le contenu de la mémoire du système sur le disque dur dans le cadre du mode veille/reprise. Cette fonction peut être activée et désactivée.

### Activation et désactivation de la fonction de veille prolongée

Le mode veille prolongée est activé par défaut. Pour activer ou désactiver la fonction de veille prolongée, exécutez les opérations suivantes :

- 1 Dans le menu **Démarrer**, ouvrez le **panneau de configuration** et cliquez sur l'icône **Options d'alimentation**.
- 2 Puis sélectionnez « Choisir ce que fait le bouton d'alimentation » ou « Choisir ce que fait la fermeture du couvercle », puis faites votre sélection (Ne rien faire, Sommeil, Veille prolongée ou Arrêter).

## Gestion de l'alimentation dans Windows

L'icône des options d'alimentation disponible dans le Panneau de configuration Windows vous permet de configurer certains paramètres de gestion de l'alimentation. Par exemple, vous pouvez utiliser les Options d'alimentation pour régler les valeurs de temporisation (délai d'inactivité) afin d'éteindre l'écran et les disques durs selon que l'ordinateur est alimenté par batterie ou par l'un des adaptateurs.

## Redémarrage du système

- 1 Cliquez sur le bouton **Démarrer** et placez le curseur de la souris sur la flèche de droite.
- 2 Sélectionnez l'action voulue dans la liste.



SI VOUS ARRÊTEZ VOTRE ORDINATEUR SANS FERMER WINDOWS OU SI VOUS L'ALLUMEZ MOINS DE 10 SECONDES APRÈS L'AVOIR ARRÊTÉ, VOUS RISQUEZ DE PROVOQUER UNE ERREUR LORS DU PROCHAIN DÉMARRAGE DU SYSTÈME.

## Mise hors tension

Avant de mettre l'ordinateur hors tension, assurez-vous que le voyant d'accès au disque dur/lecteur optique est éteint. Si vous arrêtez l'ordinateur alors qu'un disque est en cours d'utilisation, vous risquez de perdre des données. Pour vous assurer que l'ordinateur s'arrête sans erreur, utilisez la procédure d'arrêt Windows.



AVANT DE COUPER L'ALIMENTATION ÉLECTRIQUE, N'OUBLIEZ PAS DE FERMER TOUS LES FICHIERS, DE QUITTER TOUTES LES APPLICATIONS ET D'ARRÊTER VOTRE SYSTÈME D'EXPLOITATION. SI DES FICHIERS SONT OUVERTS LORSQUE VOUS COUPEZ L'ALIMENTATION, VOUS PERDREZ TOUTES LES MODIFICATIONS N'AYANT PAS ÉTÉ ENREGISTRÉES ET VOUS RISQUEZ DE CAUSER DES ERREURS DE DISQUE.

Si vous arrêtez votre système depuis Windows, vous permettez à l'ordinateur de terminer les opérations en cours, vous lui permettez aussi d'exécuter les opérations de mise hors tension dans le bon ordre et vous évitez les risques d'erreur. La procédure appropriée est la suivante :

- 1 Cliquez sur le bouton **Démarrer**, puis positionnez le curseur sur la petite flèche située en bas à droite du menu (si vous avez Windows 7, cliquez simplement sur le bouton [Arrêter]).
- 2 Dans la liste, sélectionnez **Arrêter**.

Si vous comptez entreposer votre ordinateur pendant un mois ou plus, consultez la section Entretien.



- ÉTEIGNEZ TOUJOURS VOTRE ORDINATEUR AVANT DE LE TRANSPORTER ET/OU DE L'EMBALLER. APRÈS AVOIR ÉTEINT LE SYSTÈME, ATTENDEZ QUE LE PANNEAU DE VOYANTS D'ÉTAT INDIQUE BIEN LE STATUT HORS TENSION (C'EST À DIRE QU'AUCUN VOYANT N'EST ALLUMÉ).
- IL EST POSSIBLE QUE L'APPAREIL NE SE METTE PAS AUTOMATIQUEMENT EN MODE HORS TENSION OU VEILLE PROLONGÉE APRÈS QUE VOUS AVEZ FERMÉ LE COUVERCLE. CETTE SITUATION PEUT SE PRODUIRE EN FONCTION DES PARAMÈTRES DE SÉCURITÉ PAR MOT DE PASSE QUI GÈRENT LA PRÉ-INITIALISATION DU SYSTÈME OU D'UNE AUTRE APPLICATION EN COURS D'UTILISATION SUR L'ORDINATEUR.
- SI VOUS TENTEZ DE TRANSPORTER L'ORDINATEUR SANS L'ÉTEINDRE, VOUS RISQUEZ DE L'ENDOMMAGER EN LE SOUMETTANT À DES CHOCS OU EN L'AMENANT EN ÉTAT DE SURCHAUFFE CAR LES GRILLES DE VENTILATION PEUVENT ÊTRE BLOQUÉES OU OBSTRUÉES.

## Conformité ENERGY STAR®



Votre système Fujitsu est un ordinateur mobile homologué par ENERGY STAR. En choisissant un ordinateur doté de la dernière technologie d'économie de l'énergie, vous contribuez à préserver notre environnement pour les générations futures.

Le programme ENERGY STAR a été mis en place conjointement par l'U.S. Environmental Protection Agency (Agence de protection de l'environnement américaine), l'U.S. Department of Energy (Département de l'énergie américain), Ressources naturelles Canada, ainsi que d'autres gouvernements dans le monde. Grâce aux pratiques et aux produits éco-efficaces que ce programme préconise, il est possible de faire des économies et de protéger l'environnement. Dans un contexte où les coûts énergétiques et le réchauffement climatique sont parmi les premières préoccupations des consommateurs, Fujitsu s'engage à proposer des solutions pour les aider à préserver l'énergie et à améliorer la qualité de notre environnement.

### Mode veille (sommeil) :

Vous remarquerez que d'après la configuration initiale de votre ordinateur, l'écran s'éteint après 15 minutes d'inactivité, et que l'ordinateur lui-même entre en mode sommeil après 20 minutes d'inactivité. Lorsque l'ordinateur entre en mode sommeil, il réduit la vitesse de fonctionnement de toute l'interface de réseau Ethernet. Pour « réveiller » l'ordinateur et le faire sortir du mode sommeil, appuyez sur le bouton de veille/reprise.

### Avantages liés à l'économie d'énergie :

Les ordinateurs portables Fujitsu homologués par ENERGY STAR utilisent environ deux fois moins d'électricité qu'un matériel standard, ce qui permet de diviser la facture d'électricité par deux. Mais ce n'est pas tout, en effet, ENERGY STAR fait également la différence en termes de protection de l'environnement. Saviez-vous qu'un ménage moyen peut émettre

deux fois plus de gaz à effet de serre qu'une voiture ordinaire ? Cela s'explique ainsi : lorsque vous manipulez l'interrupteur d'une lampe, que vous faites marcher votre lave-vaisselle ou que vous mettez en route votre PC, vous utilisez de l'énergie, et cela entraîne un surcroît d'émissions de gaz à effet de serre par les centrales électriques. Donc, plus nous économisons l'énergie grâce à l'éco-efficience, plus nous contribuons à diminuer les gaz à effet de serre et les risques de réchauffement climatique.

Pour de plus amples informations sur cet important programme ENERGY STAR, visitez : [www.energystar.gov](http://www.energystar.gov).

Pour en apprendre plus sur la façon dont Fujitsu soutient la Gestion durable et d'autres activités de protection de l'environnement, visitez la page Internet de Fujitsu Corporate Citizenship à :

<http://www.computers.us.fujitsu.com/www/content/aboutus/environmental/environment.php>

## Chapitre 3

# Options installables par l'utilisateur

### Batterie au lithium

Votre ordinateur portable LIFEBOOK possède une batterie au lithium qui en permet le fonctionnement lorsque vous n'avez pas accès à une source d'alimentation externe. Cette batterie est robuste et durable, mais elle ne doit pas être exposée à des températures extrêmes, à des tensions élevées, à des produits chimiques ou à d'autres situations dangereuses.

Si la batterie au lithium est utilisée dans les conditions suivantes, son autonomie peut en être réduite :

- Lorsque la température ambiante est inférieure à 5°C ou supérieure à 35°C. Les températures extrêmes réduisent la capacité de charge et peuvent accélérer la détérioration de la batterie. Si vous tentez de charger une batterie sous une température ambiante dépassant les seuils de tolérance, vous voyez clignoter le voyant de charge en cours sur le tableau de voyants d'état. Voir « *Voyant de charge en cours* » en page 21.
- Lorsque vous vous servez d'un dispositif à consommation élevée tel qu'un graveur de DVD multiformat ou un disque dur, l'utilisation de l'adaptateur secteur vous permettra de conserver la durée de vie de la batterie.



NE LAISSEZ JAMAIS UNE BATTERIE DÉFECTUEUSE DANS VOTRE ORDINATEUR. ELLE POURRAIT ENDOMMAGER L'ADAPTATEUR SECTEUR, L'ADAPTATEUR AUTO/AVION DISPONIBLE EN OPTION, LA DEUXIÈME BATTERIE SI VOUS EN POSSÉDEZ UNE OU L'ORDINATEUR LUI-MÊME. UNE BATTERIE ENDOMMAGÉE PEUT ÉGALEMENT NUIRE AU FONCTIONNEMENT DE L'ORDINATEUR EN UTILISANT TOUT LE COURANT DISPONIBLE.



- L'AUTONOMIE RÉELLE DE LA BATTERIE PEUT VARIER SELON LA LUMINOSITÉ DE L'ÉCRAN, SELON LES APPLICATIONS, LES FONCTIONS ET LES PARAMÈTRES DE GESTION DE L'ALIMENTATION QUE VOUS UTILISEZ, SELON L'ÉTAT DE LA BATTERIE ET SELON D'AUTRES PRÉFÉRENCES QUE VOUS POUVEZ CONFIGURER. L'UTILISATION D'UN GRAVEUR DE DVD MULTIFORMAT, D'UN LECTEUR BLU-RAY RW OU DU DISQUE DUR AFFECTE ÉGALEMENT L'AUTONOMIE DE LA BATTERIE. EN OUTRE, LA CAPACITÉ DE CHARGE DE LA BATTERIE DIMINUE AVEC L'USAGE. SI VOTRE BATTERIE PERD RAPIDEMENT SA CHARGE, REMPLACEZ-LA PAR UNE NEUVE.
- IL EST POSSIBLE QUE DES LOIS FÉDÉRALES, PROVINCIALES OU LOCALES INTERDISENT DE JETER DES BATTERIES DANS LES DÉCHETS DOMESTIQUES. CONTRIBUEZ À LA PROTECTION DE L'ENVIRONNEMENT ET JETEZ VOS BATTERIES USÉES CONFORMÉMENT AUX LOIS EN VIGUEUR. POUR OBTENIR DES INFORMATIONS SUR LE RECYCLAGE ET LA MISE AUX REBUTS DES VIEILLES BATTERIES, CONSULTEZ LES AUTORITÉS LOCALES OU PROVINCIALES COMPÉTENTES. SI VOUS N'ARRIVEZ PAS À TROUVER CES INFORMATIONS, CONTACTEZ UN PRÉPOSÉ DU SERVICE À LA CLIENTÈLE AU 1-800-8FUJITSU (1-800-838-5487).

## Recharge des batteries

Pour connaître le niveau de charge de votre batterie au lithium principale, vérifiez le voyant de batterie dans le tableau de voyants d'état. Ce voyant change selon le niveau de charge de la batterie.

La batterie au lithium se recharge à l'intérieur de l'ordinateur avec le courant de l'adaptateur secteur. Pour recharger une batterie, assurez-vous qu'elle est bien installée dans l'ordinateur portable et connectez l'adaptateur secteur ou l'adaptateur auto/avion.



ASSUREZ-VOUS QUE LE VOYANT DE CHARGE EN COURS ET LE POURCENTAGE DE CHARGE SONT VISIBLES À L'INTÉRIEUR DE L'ICÔNE DU NIVEAU DE CHARGE, SUR LE TABLEAU DE VOYANTS D'ÉTAT.

Puisque les batteries au lithium n'ont aucun effet de mémoire, il n'est pas nécessaire de décharger complètement votre batterie avant de la recharger. La durée de charge sera nettement plus longue si vous utilisez l'ordinateur pendant que la batterie se charge. Si vous désirez charger la batterie le plus rapidement possible, placez votre ordinateur en mode sommeil ou éteignez-le pendant que la batterie se charge (*Pour de plus amples informations sur le mode veille et la procédure d'arrêt, reportez-vous à Gestion de l'alimentation en page 50*).



L'UTILISATION DE PÉRIPHÉRIQUES ÉNERGIVORES OU À USAGE FRÉQUENT COMME LES LECTEURS BLU-RAY/DVD/CD PEUVENT EMPÊCHER LE CHARGEMENT COMPLET DE LA BATTERIE.



## Batterie faible

Lorsque la batterie est faible, le système affiche un avis de batterie faible. Si vous ne prêtez pas attention à cet avis de batterie faible, la batterie continuera à se décharger jusqu'à ce qu'elle ne puisse plus faire fonctionner le système. Lorsque cela se produit, l'ordinateur se place en mode veille. Dans un tel cas, rien ne garantit que toutes vos données seront sauvegardées.



- LORSQUE L'AVIS DE BATTERIE FAIBLE APPARAÎT, VOUS DEVEZ ENREGISTRER TOUTES VOS DONNÉES ACTIVES ET PLACER VOTRE ORDINATEUR PORTABLE EN MODE VEILLE JUSQU'À CE QUE VOUS PUISSIEZ DISPOSER D'UNE AUTRE SOURCE D'ALIMENTATION. VOUS DEVEZ CONNECTER LE PLUS RAPIDEMENT POSSIBLE UNE BATTERIE CHARGÉE, UN ADAPTATEUR SECTEUR OU UN ADAPTATEUR AUTO/AVION.
- LORSQUE L'ORDINATEUR EST EN MODE SOMMEIL, IL DOIT TOUJOURS DISPOSER D'UNE BONNE SOURCE D'ALIMENTATION. SI VOUS RETIREZ TOUTES LES SOURCES D'ALIMENTATION ALORS QUE L'ORDINATEUR EST EN MODE SOMMEIL, TOUTES LES DONNÉES N'AYANT PAS ÉTÉ SAUVEGARDÉES SONT PERDUES.

Si l'ordinateur se place en mode « veille car batterie épuisée », le voyant d'état apparaît comme si l'ordinateur était en mode sommeil normal. Lorsque l'ordinateur est en mode veille de batterie épuisée, il est impossible d'en reprendre l'utilisation avant d'avoir connecté une source d'alimentation valide provenant d'un adaptateur ou d'une batterie chargée. Lorsque vous avez connecté une alimentation valide, vous devez ensuite appuyer sur le bouton d'alimentation/veille/reprise pour reprendre l'utilisation de l'ordinateur.

Lorsque l'ordinateur est en mode veille de batterie épuisée, vos données peuvent être sauvegardées pendant une certaine période, mais si vous ne connectez pas rapidement une source d'alimentation valide, le voyant d'alimentation cesse de clignoter et s'éteint. Vous avez alors perdu toutes les données n'ayant pas été enregistrées. Si vous connectez un adaptateur, vous pouvez poursuivre l'utilisation de l'ordinateur pendant que la batterie se recharge.

## Batteries court-circuitées

Le voyant de charge de la batterie (dans le tableau de voyants d'état) contient un symbole indiquant le niveau de charge disponible. Si ce symbole indique que la batterie est court-circuitée, cette dernière est endommagée et doit être remplacée pour éviter qu'elle n'endommage d'autres composants de votre ordinateur.

## Remplacement de la batterie

Si vous achetez une batterie supplémentaire de rechange, vous pourrez remplacer la batterie principale si elle vient à se décharger complètement. Deux méthodes s'offrent à vous pour remplacer votre batterie : le remplacement hors tension et le remplacement sous tension.

### Remplacement hors tension de la batterie

Pour remplacer la batterie alors que le système est hors tension, exécutez les opérations suivantes :

- 1 Trouvez une batterie chargée, prête à l'installation.
- 2 Arrêtez l'ordinateur portable et débranchez l'adaptateur secteur, puis retournez-le à l'envers.
- 3 Poussez le verrou pour l'éloigner de la batterie et faites glisser le loquet vers le milieu de l'ordinateur. Sortez ensuite la batterie du compartiment en la prenant par le point de levage.
- 4 Insérez une nouvelle batterie et appuyez jusqu'à ce que vous sentiez l'enclenchement des loquets.
- 5 Branchez l'adaptateur secteur et allumez l'ordinateur.

### Remplacement sous tension

Pour remplacer la batterie alors que le système est sous tension, exécutez les opérations suivantes :

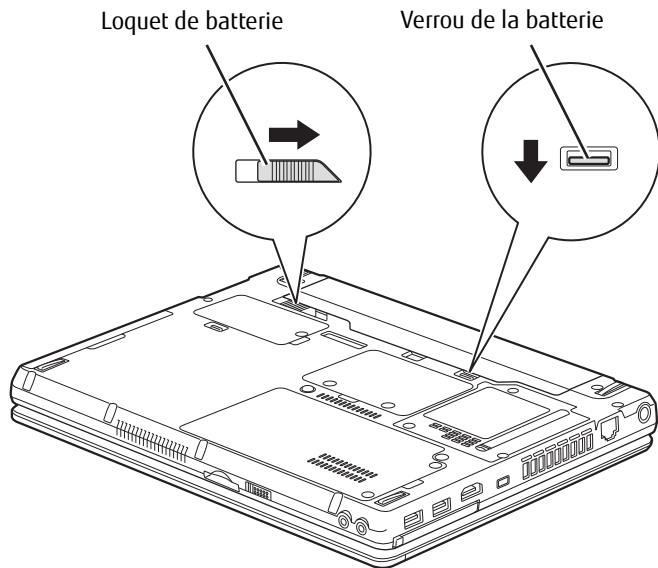


**AVANT D'ENLEVER LA BATTERIE, ASSUREZ-VOUS QUE L'ADAPTATEUR SECTEUR EST BIEN CONNECTÉ.** L'ORDINATEUR NE DISPOSE D'AUCUNE BATTERIE TEMPORAIRE POUR FAIRE FONCTIONNER LE SYSTÈME DURANT LE REMPLACEMENT DE LA BATTERIE. SI VOUS N'UTILISEZ PAS L'ADAPTATEUR SECTEUR, VOUS PERDREZ TOUTES LES DONNÉES NON ENREGISTRÉES.

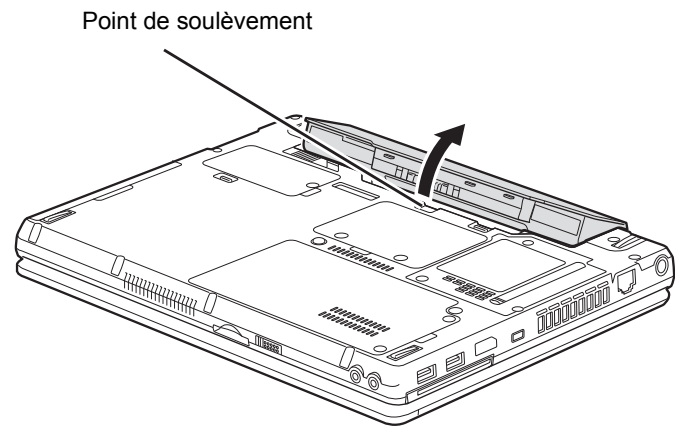
- 1 Branchez l'adaptateur secteur sur votre ordinateur, puis sur une prise électrique sous tension.
- 2 Suivez les étapes 3 - 4 de la section « Remplacement hors tension ».



SI LE CONNECTEUR DE LA BATTERIE AU LITHIUM N'EST PAS BIEN ENFONCÉ, VOUS RISQUEZ DE NE PAS POUVOIR UTILISER L'ORDINATEUR OU DE NE PAS POUVOIR RECHARGER LA BATTERIE.



**Figure 19. Déverrouillage de la batterie**



**Figure 20. Retrait de la batterie**

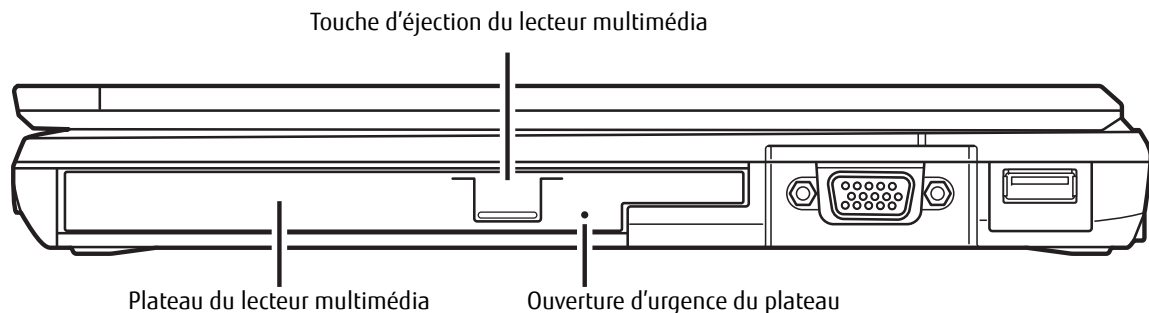


Figure 21. Lecteur optique

## Lecteur optique

Différents supports sont disponibles pour être utilisés avec votre système, selon la configuration de système que vous avez sélectionnée. Les graveurs de DVD multiformat et lecteurs Blu-ray® RW sont regroupés sous le nom « lecteurs optiques ».

Selon la configuration de votre ordinateur portable, vous pourriez avoir l'un des lecteurs optiques suivants :

- **Graveur de DVD multiformat double couche :** Ce lecteur vous permet d'accéder à des films, des DVD/CD audio, des logiciels, ainsi que de lire et d'écrire sur des disques CD-R, CD-RW, DVD-R, DVD+R, DVD-RW, DVD+RW et DVD-RAM. L'architecture double couche permet d'enregistrer jusqu'à 8,5 Go sur les disques DVD+R.
- **Lecteur RW Blu-ray® :** ce lecteur vous permet de regarder des films sur disques Blu-ray et de graver jusqu'à 50 Go de films et de données sur un disque Blu-ray à double-couche. Il vous permet aussi de lire des CD-ROM, CD-R, CD-RW, DVD-ROM, DVD-R, DVD-R DL, DVD-RW, DVD+R, DVD+R DL, DVD+RW, DVD-RAM, BD-ROM, BD-R, BD-R DL, BD-RE, BD-RE DL, et de graver des CD-R, CD-RW, DVD-R, DVD-R DL, DVD-RW, DVD+R, DVD+R DL, DVD+RW, DVD-RAM, BD-R, BD-R DL, BD-RE, BD-RE DL.

## Logiciels du lecteur multimédia

*Modèle avec graveur de DVD multiformat double couche seulement :* Grâce au graveur de DVD multiformat double couche et au logiciel de lecteur multimédia, vous pouvez écouter des films DVD et des CD de musique sur votre portable LIFEBOOK. (Les logiciels de lecture multimédia disponibles sont CyberLink PowerDVD, PowerDirector et MakeDisc;

ils peuvent être installés avec l'utilitaire Applications en prime. Voir « Installer des applications en prime » en page 49). Le lecteur multimédia inclut des commandes vous permettant de profiter au maximum des fonctions d'un film DVD, ainsi que des fonctions standard telles que l'avance rapide, marche arrière rapide, pause, etc. Grâce à ce lecteur vous pouvez également graver des disques DVD-R/RW, DVD+R/RW ou CD-R/RW.

**Modèle avec Blu-ray seulement :** Les logiciels pour lecteur Blu-ray disponibles sont CyberLink PowerDVD, PowerDirector et MakeDisc; ils peuvent être installés avec l'utilitaire Applications en prime. Voir « Installer des applications en prime » en page 49. Lorsqu'elle est utilisée en association avec PowerDirector et MakeDisc, l'application PowerDVD transforme votre ordinateur portable en un puissant outil de production et de lecture multimédia.



- NE FAITES FONCTIONNER VOTRE LECTEUR OPTIQUE QUE SI VOTRE ORDINATEUR PORTABLE LIFEBOOK SE TROUVE SUR UNE SURFACE PLATE. L'UTILISATION D'UN LECTEUR LORSQUE LE SYSTÈME N'EST PAS À NIVEAU RISQUE D'ENDOMMAGER LE LECTEUR OU D'EMPÊCHER SON FONCTIONNEMENT APPROPRIÉ.
- UNE UTILISATION PROLONGÉE D'UN LECTEUR OPTIQUE (NOTAMMENT POUR VOIR UN FILM DVD) RÉDUIRA CONSIDÉRABLEMENT LA LONGÉVITÉ DE VOTRE BATTERIE, À MOINS QUE VOUS N'UTILISIEZ UNE SOURCE D'ÉNERGIE EXTERNE.

## Installation d'un disque dans votre lecteur

Pour installer un disque dans votre lecteur optique :

- 1 Appuyez et relâchez la touche d'éjection située à l'avant du lecteur optique afin d'ouvrir le plateau de chargement. Le plateau sortira légèrement du portable LIFEBOOK.
- 2 Tirez doucement le plateau de chargement jusqu'à ce qu'un disque puisse y être déposé facilement.



- VISITEZ RÉGULIÈREMENT LE SITE WEB DE FUJITSU À L'ADRESSE [US.FUJITSU.COM/COMPUTERS](http://US.FUJITSU.COM/COMPUTERS) POUR OBTENIR LES MISES À JOUR DE PILOTES LES PLUS RÉCENTES.
- TOUS LES LECTEURS DE DVD LIFEBOOK SONT COMPATIBLES AVEC LES TITRES DE DVD DONT LE NUMÉRO DE RÉGION EST 1, CORRESPONDANT AU MARCHÉ NORD-AMÉRICAIN. LE NUMÉRO DE RÉGION EST UN CODE DE RESTRICTION RÉGIONAL DÉFINI PAR LE FORUM DES DVD QUI AGIT SELON LES EXIGENCES DE HOLLYWOOD. DIFFÉRENTS CODES RÉGIONAUX SONT ENREGISTRÉS SUR LES TITRES DE DVD VIDÉO POUR PUBLICATION DANS DIFFÉRENTES RÉGIONS À TRAVERS LE MONDE. SI LE CODE RÉGIONAL DU LECTEUR DE DVD NE CORRESPOND PAS AUX CODES RÉGIONAUX DES TITRES, LA LECTURE EST IMPOSSIBLE.
- VOUS POUVEZ CHANGER LE CODE RÉGIONAL DU LECTEUR DE DVD EN UTILISANT LE MENU PROPRIÉTÉS DU LOGICIEL DE DVD. TOUTEFOIS, VEUILLEZ PRENDRE NOTE QUE **VOUS NE POUVEZ CHANGER LE CODE RÉGIONAL QUE QUATRE FOIS**. APRÈS LE QUATRIÈME CHANGEMENT, LE DERNIER CODE RÉGIONAL ENTRÉ DEVIENT PERMANENT ET NE PEUT PLUS ÊTRE CHANGÉ.

- 3 Placez le disque dans le plateau de chargement, l'étiquette vers le haut, avec l'orifice au milieu du disque. Enfoncez le disque dans le cercle surélevé situé au centre du plateau.

4 Fermez le plateau de chargement en le poussant doucement jusqu'à ce que vous entendiez un clic.



SI VOUS AVEZ DÉSACTIVÉ LA FONCTION AVIS D'INSERTION AUTOMATIQUE, VOUS DEVREZ FAIRE DÉMARRER LE LECTEUR SOIT À PARTIR DU POSTE DE TRAVAIL SOIT AVEC L'EXPLORATEUR WINDOWS, CAR L'ORDINATEUR PORTABLE NE RECONNAÎTRA PAS AUTOMATIQUEMENT QUE LE DISQUE A ÉTÉ CHARGÉ.

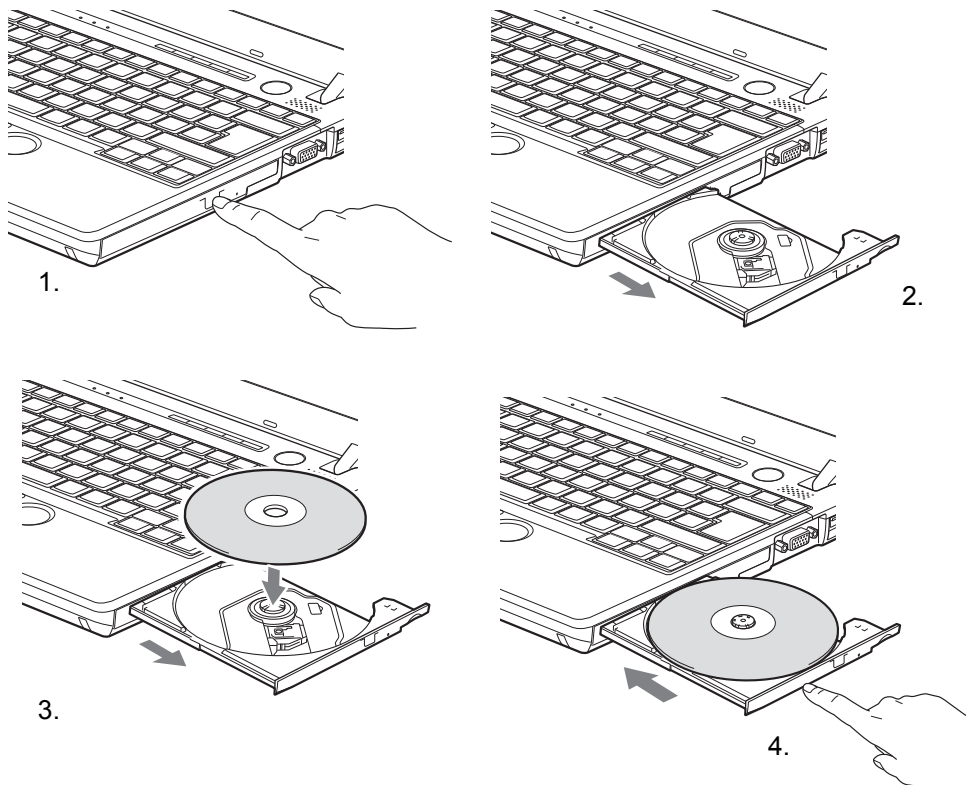


Figure 22. Chargement/éjection d'un disque

## Retrait d'un disque

- 1 Appuyez et relâchez la touche d'éjection située à l'avant du lecteur optique. Le lecteur s'arrêtera et le plateau sortira légèrement de l'ordinateur LIFEBOOK.
- 2 Tirez doucement le plateau jusqu'à ce le disque puisse en être facilement retiré.
- 3 Retirez délicatement le disque du plateau et fermez le plateau jusqu'à ce que vous entendiez un clic.

## Ouverture d'urgence du plateau du lecteur optique

Si le bouton d'éjection ne fonctionne pas, vous pouvez ouvrir le plateau du lecteur média en insérant un trombone ou un outil similaire dans le trou d'éjection situé tout à droite sur le devant du plateau. Redressez une extrémité du trombone et insérez-la doucement dans le trou. Le plateau sortira.

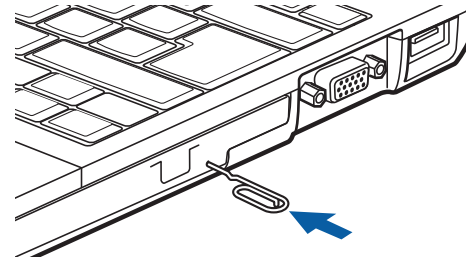


Figure 23. Ouverture d'urgence du plateau

## Utilisation des logiciels du lecteur multimédia



SELON VOTRE CONFIGURATION, IL EST POSSIBLE QUE VOTRE SYSTÈME NE DISPOSE PAS D'UN LOGICIEL DE LECTEUR MULTIMÉDIA PRÉINSTALLÉ. SI CELUI-CI N'EST PAS INSTALLÉ, CONSULTEZ LA DOCUMENTATION ACCOMPAGNANT L'APPLICATION MULTIMÉDIA.

## Démarrer un film DVD (modèles DVD seulement)

- 1 Insérez le DVD dans le lecteur optique de l'ordinateur. Si la fonction « Exécution automatique » s'enclenche, ignorez l'étape 2.
- 2 Lorsque vous insérerez un film dans le tiroir du lecteur pour la première fois, le système vous invitera à choisir ce que vous souhaitez que le système fasse lorsque les disques sont insérés (par exemple, démarrer automatiquement ou attendre le message-guide). Ce même message s'affichera chaque fois que vous insérerez un disque jusqu'à ce que vous fassiez votre sélection.

- 3 Cliquez sur **OK** pour fermer la boîte de dialogue « À propos du lecteur de DVD », et le film commencera.

### **Ouverture du panneau de configuration du lecteur multimédia**

La plupart des DVD-ROM vous permettent de modifier la façon dont le film est visionné et ce que vous aimeriez voir. Pour cela, il suffit d'utiliser le panneau de configuration du lecteur multimédia et la souris.

- 1 Cliquez à droite sur l'écran du film pour ouvrir le menu déroulant des options.
- 2 Pour afficher toutes les commandes disponibles, sélectionnez **Afficher**, puis **Lecteur**. Vous verrez alors apparaître le panneau de configuration dans le bas de l'écran.

### **Utilisation du panneau de configuration du lecteur multimédia**

Le logiciel du lecteur multimédia vous permet de visionner un film tout comme le fait un magnétoscope à cassettes. Vous pouvez faire une pause, rembobiner, avancer rapidement ou arrêter un film à tout moment.

- 1 Pour arrêter temporairement le film **||** appuyez sur le bouton à l'écran.
- 2 Pour faire reculer le film, cliquez sur le bouton **◀** pour revenir jusqu'à un point spécifique de votre choix ou cliquez sur le bouton **◀◀** pour revenir à l'écran de bienvenue.
- 3 Pour faire avancer le film, cliquez sur le bouton **▶** pour avancer jusqu'à un point spécifique de votre choix ou cliquez sur le bouton **▶▶** pour passer aux crédits de fermeture.
- 4 Pour arrêter le film, cliquez sur le bouton **■**.

### **Quitter le lecteur multimédia**

- 1 Cliquez sur le bouton **✕** situé dans le coin supérieur droit de la barre de titre. Vous voyez apparaître une boîte de dialogue du lecteur multimédia.
- 2 Cliquez sur [Oui] pour arrêter et quitter le film ou sur [Non] pour fermer la boîte de dialogue et retourner au film.

### **Utilisation du lecteur multimédia avec alimentation par batterie**

Étant donné que les lecteurs optiques consomment beaucoup d'énergie, la longévité de votre batterie sera considérablement plus courte si vous utilisez continuellement le lecteur optique (notamment pour regarder un film DVD) que lors d'un fonctionnement normal. La durée d'exécution d'un grand nombre de films est supérieure à l'autonomie d'une seule batterie. Si vous regardez un film DVD avec une alimentation par batterie, vous aurez probablement besoin d'une batterie additionnelle chargée ou de brancher un adaptateur secteur durant le film pour pouvoir le voir en entier.





- UNE UTILISATION PROLONGÉE DU LECTEUR OPTIQUE (NOTAMMENT POUR VOIR UN FILM DVD) RÉDUIT CONSIDÉRABLEMENT LA LONGÉVITÉ DE VOTRE BATTERIE.
- LA DURÉE D'UN GRAND NOMBRE DE FILMS EST SUPÉRIEURE À L'AUTONOMIE D'UNE SEULE BATTERIE. SI VOUS REGARDEZ UN FILM DVD AVEC UNE ALIMENTATION PAR BATTERIE, VOUS AUREZ PROBABLEMENT BESOIN D'UNE BATTERIE ADDITIONNELLE CHARGÉE OU DE BRANCHER UN ADAPTATEUR SECTEUR DURANT LE FILM POUR POUVOIR LE VOIR EN ENTIER.
- UNE BATTERIE SUPPLÉMENTAIRE COMPLÈTEMENT CHARGÉE EST FORTEMENT RECOMMANDÉE SI VOUS PRÉVOYEZ REGARDER DES FILMS DVD AVEC UNE ALIMENTATION PAR BATTERIE. SI VOUS NE POSSÉDEZ PAS UNE BATTERIE SUPPLÉMENTAIRE, VOUS POUVEZ VOUS EN PROCURER UNE SOIT EN LIGNE À [HTTP://WWW.COMPUTERS.US.FUJITSU.COM](http://www.computers.us.fujitsu.com), SOIT EN APPELANT AU 1-877-372-3473.

### **Pour regarder un film avec une alimentation par batterie :**

- 1** Ayez à votre disposition une batterie supplémentaire chargée à fond ou un adaptateur secteur.
- 2** Commencez la lecture du film DVD.
- 3** Lorsque le voyant de batterie faible s'allume, arrêtez immédiatement le film et quittez le lecteur multimédia.

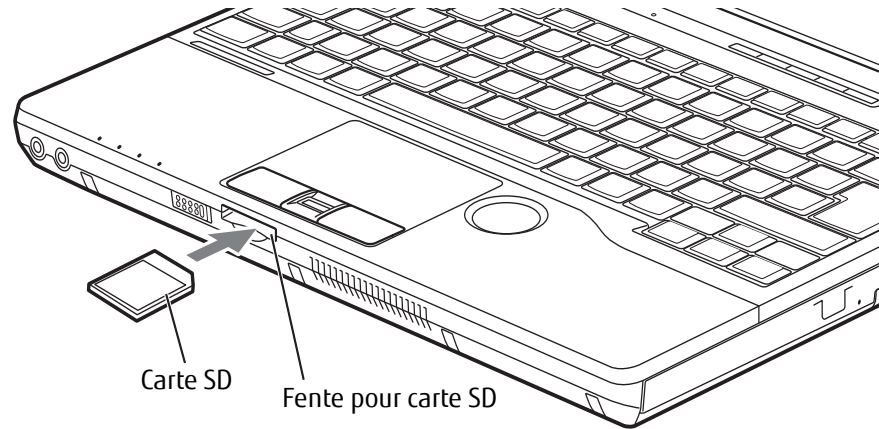


SI VOUS N'ARRÊTEZ PAS LE LECTEUR MULTIMÉDIA RAPIDEMENT ET QUE LE PORTABLE LIFEBOOK TENTE DE S'ARRÊTER AUTOMATIQUEMENT (ÉTAT CRITIQUE DE BATTERIE FAIBLE), LE PORTABLE LIFEBOOK S'ÉTEINDRA DE FAÇON INAPPROPRIÉE. SI CETTE SITUATION SE PRODUIT, VOUS DEVRIEZ EXÉCUTER UN REDÉMARRAGE À FROID ET SUIVRE LES INSTRUCTIONS, LE CAS ÉCHÉANT, QUI VOUS SONT PRÉSENTÉES AVANT QUE LE SYSTÈME NE REDÉMARRE.

- 4** Mettez votre ordinateur hors tension et remplacez la batterie déchargée par la batterie supplémentaire chargée à fond. Si vous ne disposez pas d'une batterie supplémentaire, vous pouvez brancher un adaptateur secteur dès que vous voyez l'indicateur de faible batterie.
- 5** Rallumez votre portable LIFEBOOK en appuyant de nouveau sur le bouton d'alimentation/veille/reprise. Cette opération n'est pas nécessaire si vous avez connecté un adaptateur secteur sans utiliser le mode sommeil.
- 6** Redémarrez votre lecteur multimédia et retrouvez l'endroit où vous avez laissé le film.
- 7** Poursuivez la lecture du film DVD.



CERTAINS FILMS PLUS COURTS PEUVENT ÊTRE ENTIÈREMENT VUS SANS NÉCESSITER DE BATTERIE SUPPLÉMENTAIRE OU LE BRANCHEMENT D'UN ADAPTATEUR SECTEUR. TOUTEFOIS, IL EST PRÉFÉRABLE D'ÊTRE PRÊT PUISQUE LA LONGÉVITÉ RÉELLE DE LA BATTERIE PENDANT LE FONCTIONNEMENT DU LECTEUR OPTIQUE NE PEUT PAS ÊTRE GARANTIE.



**Figure 24. Installer une carte Secure Digital**

## Cartes Secure Digital

Votre ordinateur portable LIFEBOOK peut accueillir des cartes Secure Digital (SD), sur lesquelles vous pouvez stocker et transférer des données vers et à partir de divers dispositifs numériques. Ces cartes utilisent une architecture de mémoire flash, ce qui veut dire que vous n'avez pas besoin d'une source d'énergie pour conserver les données.

Les cartes Secure Digital (SD) sont des cartes de mémoire flash permettant l'enregistrement, le transfert et le partage de contenus numériques, tels que photos, films, sons, voix, données et applications. Les cartes SD permettent un stockage mobile sur plusieurs types de dispositifs, tels que des téléphones cellulaires, des systèmes de positionnement mondial, des appareils photo numériques et des assistants numériques personnels. Les cartes SD transfèrent les données rapidement et sollicitent très peu la batterie. Tout comme la carte Memory Stick, la carte SD utilise l'architecture de mémoire flash.

## Installation d'une carte SD

Les cartes SD sont insérées dans la fente pour carte SD . Pour installer une carte SD, exécutez les opérations suivantes :



SI VOUS INSÉREZ OU RETIREZ UNE CARTE SD PENDANT LE PROCESSUS D'ARRÊT OU DE DÉMARRAGE DE VOTRE ORDINATEUR PORTABLE, VOUS RISQUEZ D'ENDOMMAGER LA CARTE ET/OU VOTRE ORDINATEUR.

N'INSÉREZ PAS DE CARTE DANS LA FENTE S'IL Y A DE L'EAU OU TOUTE AUTRE SUBSTANCE SUR LA CARTE, CAR VOUS POURRIEZ ENDOMMAGER DE FAÇON PERMANENTE LA CARTE, VOTRE ORDINATEUR PORTABLE OU LES DEUX.

- 1 Le guide d'utilisation de la carte mémoire vous indiquera comment l'installer. Certaines cartes pourraient nécessiter que votre portable soit éteint pendant que vous les installez.
- 2 Avant d'insérer votre carte, assurez-vous qu'aucune autre carte n'est déjà installée dans la fente. Si c'est le cas, consultez la rubrique « Retirer une carte SD » ci-dessous.
- 3 Enfoncez la carte dans la fente, étiquette vers le haut.
- 4 Poussez fermement la carte dans la fente jusqu'à ce qu'elle soit logée dans le connecteur.

## Retrait d'une carte SD

Pour retirer une carte SD, suivez ces étapes faciles :



LE GUIDE D'UTILISATION DE LA CARTE MÉMOIRE VOUS INDIQUERA COMMENT LA RETIRER. CERTAINES CARTES POURRAIENT NéCESSITER QUE VOTRE ORDINATEUR PORTABLE LIFEBLOCK SOIT EN MODE SOMMEIL OU QU'IL SOIT ÉTEINT PENDANT QUE VOUS LES RETIREZ.

Enfoncez la carte SD jusqu'à ce que vous sentiez un déclic de déverrouillage. La carte s'éjecte ensuite de la fente pour que vous puissiez la retirer.

## Emplacement de la fente ExpressCard ou Security Card

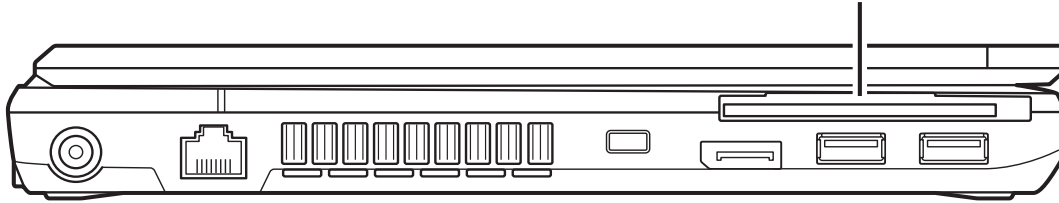


Figure 25. Emplacement de fente ExpressCard/Security Card

## Cartes ExpressCard®/Smart Card

Votre ordinateur portable est doté d'une fente pour carte ExpressCard ou pour carte Smart Card, selon votre configuration.

### Cartes ExpressCard

Si votre système est configuré avec une fente pour cartes ExpressCard, vous pouvez insérer des cartes ExpressCard®, offrant des fonctions variées selon le type de la carte installée. Voici quelques cartes ExpressCard disponibles :

- Cartes de réseau local Ethernet Gigabit
- Cartes S-ATA II
- Cartes de réseau local sans fil IEEE 802.11n

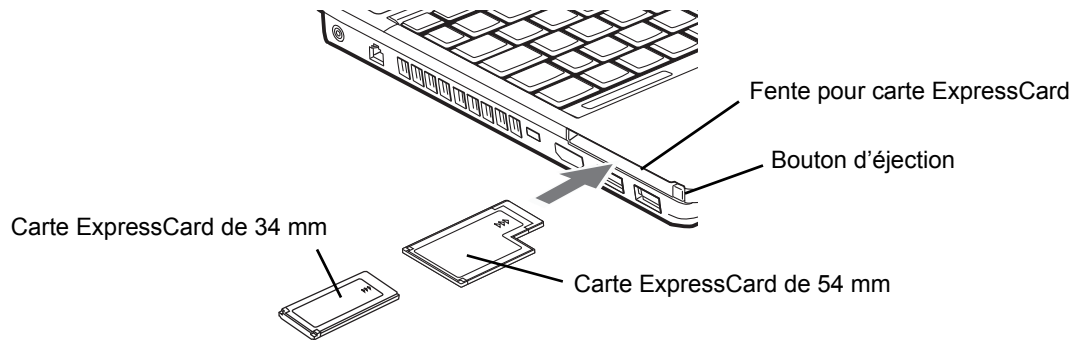
Pour plus d'informations, référez-vous aux instructions fournies avec votre(vos) carte(s).

### Installation d'une carte ExpressCard

Il existe deux largeurs différentes de cartes ExpressCard : 34 mm et 54 mm. Le connecteur à l'intérieur de la fente est situé sur le côté gauche de la fente. Si vous insérez une carte de 34 mm, assurez-vous de l'aligner avec le côté gauche de la fente. Les cartes ExpressCard sont insérées dans la fente prévue à cet effet .



- L'INSTALLATION OU LE RETRAIT D'UNE CARTE EXPRESSCARD PENDANT LE DÉMARRAGE OU L'ARRÊT DE L'ORDINATEUR PORTABLE PEUT ENDOMMAGER LA CARTE ET/OU L'ORDINATEUR.
- N'INSÉREZ PAS UNE CARTE EXPRESSCARD DANS LA FENTE S'IL Y A DE L'EAU OU TOUTE AUTRE SUBSTANCE SUR LA CARTE, CAR VOUS POURRIEZ ENDOMMAGER DE FAÇON PERMANENTE LA CARTE, VOTRE ORDINATEUR OU LES DEUX.



**Figure 26. Installation/Retrait d'une carte ExpressCard**



IL EST POSSIBLE QUE VOUS DEVIEZ OUVRIR UNE SESSION EN TANT QU'ADMINISTRATEUR OU MEMBRE DU GROUPE DE L'ADMINISTRATEUR AFIN D'EXÉCUTER CETTE PROCÉDURE. SI L'ORDINATEUR EST CONNECTÉ À UN RÉSEAU, LES PARAMÈTRES DE POLITIQUE DU RÉSEAU POURRAIENT ÉGALEMENT VOUS EMPÊCHER DE COMPLÉTER CETTE PROCÉDURE.

Le guide d'utilisation de votre carte ExpressCard vous indiquera comment l'installer. Certaines cartes pourraient nécessiter que votre portable soit éteint pendant que vous les installez.

Pour installer une carte ExpressCard, suivez les étapes ci-après :

- 1** Avant d'insérer votre carte, assurez-vous qu'aucune autre carte n'est déjà installée dans la fente. Si c'est le cas, consultez Voir « Retrait d'une carte ExpressCard » en page 70.
- 2** Si la touche d'éjection est sortie, enfoncez-la jusqu'au déclic.
- 3** Enfoncez la carte ExpressCard dans la fente, étiquette vers le haut. Si vous insérez une carte de 34 mm, alignez-la avec le côté gauche de la fente.
- 4** Poussez fermement la carte dans la fente jusqu'à ce qu'elle soit logée dans le connecteur.

## Retrait d'une carte ExpressCard

Le guide d'utilisation de votre carte ExpressCard vous indiquera comment la retirer. Certaines cartes pourraient nécessiter que votre ordinateur portable LifeBook soit en mode sommeil ou qu'il soit éteint pendant que vous les retirez.



- VOUS DEVRIEZ PRENDRE L'HABITUDE DE RETIRER LES PÉRIPHÉRIQUES AVEC L'ICÔNE « RETIRER LE PÉRIPHÉRIQUE EN TOUTE SÉCURITÉ » DANS LA ZONE DE NOTIFICATION.
- SI LA BOÎTE DE DIALOGUE INDIQUE QUE LE DISPOSITIF NE PEUT PAS ÊTRE RETIRÉ, VOUS DEVEZ ALORS SAUVEGARDER TOUS VOS FICHIERS OUVERTS, FERMER TOUTES LES APPLICATIONS OUVERTES ET ÉTEINDRE VOTRE ORDINATEUR.

Pour retirer une carte ExpressCard, exécutez les opérations suivantes :

- 1 Déverrouillez la carte en appuyant sur la touche d'éjection associée à la fente dans laquelle la carte se trouve. Après avoir été enfoncé, le bouton d'éjection sort automatiquement.
- 2 Appuyez fermement sur la touche une fois encore jusqu'à ce qu'elle soit alignée avec le boîtier de l'ordinateur portable. Cela permettra d'éjecter légèrement la carte hors de la fente, afin que vous puissiez la retirer.

## Lecteur de carte Smart Card

Il est possible que votre système soit doté d'une fente pour cartes Smart Card au lieu d'une fente ExpressCard. Ces cartes ressemblent à des cartes de crédit mais elles contiennent une puce électronique. La puce peut stocker diverses informations et vous offre de nombreuses possibilités, comme faire des achats sécurisés, payer des appels téléphoniques, enregistrer des données de sécurité et fournir des informations personnelles et d'identification.

Pour pouvoir utiliser le lecteur de carte à puce, vous devez acquérir un logiciel tiers qui n'est pas fourni. Cette fente est située sur le côté gauche du système (Figure 27).

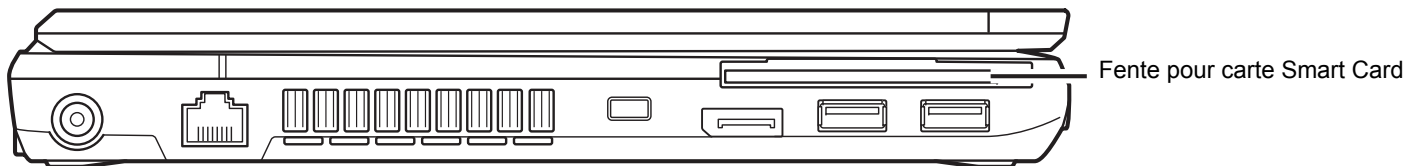


Figure 27. Fente pour carte Smart Card

## Module de mémoire additionnelle

Votre ordinateur portable Fujitsu est équipé d'une mémoire vive dynamique synchrone à haute vitesse et à double débit (SDRAM DDR3-1600) installée en usine. Pour augmenter la capacité de mémoire, vous pouvez installer un module (barrette) d'extension mémoire. La mémoire additionnelle doit être un module SDRAM (DIMM) à double rangée de connexions. Pour vous assurer d'avoir une compatibilité à 100 %, achetez le module SDRAM uniquement auprès de la boutique virtuelle Fujitsu, à l'adresse suivante : [www.shopfujitsu.com](http://www.shopfujitsu.com).

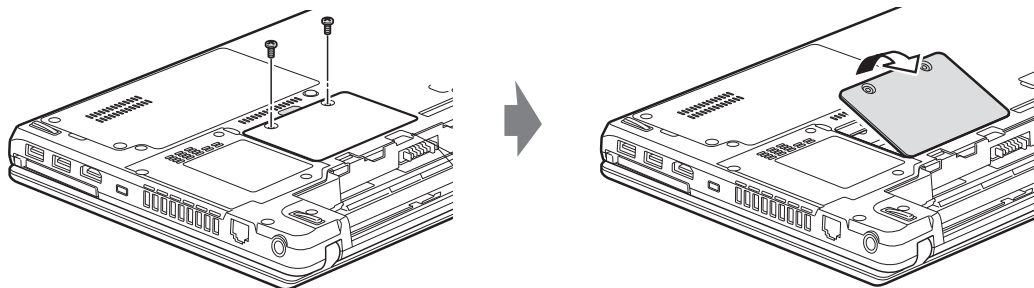
- N'ENLEVEZ AUCUNE VIS DU COMPARTIMENT DU MODULE DE MÉMOIRE ADDITIONNELLE À L'EXCEPTION DE CELLES SPÉCIFIQUEMENT INDIQUÉES DANS LES DIRECTIVES D'INSTALLATION ET DE RETRAIT CORRESPONDANTES.
- LE MODULE DE MÉMOIRE ADDITIONNELLE PEUT ÊTRE FORTEMENT ENDOMMAGÉ PAR UNE DÉCHARGE ÉLECTROSTATIQUE (DES). POUR MINIMISER CE RISQUE, VEUILLEZ PRENDRE LES PRÉCAUTIONS SUIVANTES :



- AVANT DE MANIPULER UN MODULE DE MÉMOIRE, TOUCHEZ UN OBJET MÉTALLIQUE MIS À LA TERRE POUR DÉCHARGER L'ÉLECTRICITÉ STATIQUE QUI S'EST ACCUMULÉE DANS VOTRE CORPS.
- LORSQUE VOUS INSTALLEZ OU RETIREZ UN MODULE DE MÉMOIRE, TENEZ-LE PAR LE BORD DE FAÇON À NE TOUCHER AUCUN CONTACT NI AUCUNE PUCE. ASSUREZ-VOUS DE NE TOUCHER AUCUNE BORNE DE CONNEXION NI AUCUN COMPOSANT INTERNE DE L'ORDINATEUR. LA PEAU DÉGAGE UNE SUBSTANCE HUILEUSE QUI POURRAIT CAUSER UN COURT-CIRCUIT AUX COMPOSANTS.
- ASSUREZ-VOUS DE METTRE VOTRE SYSTÈME HORS TENSION AVANT D'AJOUTER OU DE RETIRER DES MODULES DE MÉMOIRE. MÊME SI LE SYSTÈME EST EN SOMMEIL OU EN VEILLE PROLONGÉE, DES DONNÉES RISQUENT D'ÊTRE PERDUES ET LA MÉMOIRE POURRAIT ÊTRE ENDOMMAGÉE SI LE COURANT QUI ALIMENTE LE SYSTÈME N'EST PAS COUPÉ.

### Installer un module de mémoire additionnelle

- 1 Coupez le courant de votre ordinateur portable et débranchez l'adaptateur d'alimentation (adaptateur secteur ou adaptateur auto/avion), le cas échéant. Retirez la batterie primaire et/ou secondaire.
- 2 Assurez-vous que tous les couvercles du connecteur sont fermés.
- 3 Tournez l'ordinateur portable à l'envers et retirez la vis du compartiment du module de mémoire additionnelle.
- 4 Retirez le couvercle.
- 5 Retirez le module de mémoire additionnelle de sa gaine protectrice antistatique.
- 6 Aligned le module de mémoire additionnelle avec la pièce vers le haut. Aligned le bord du connecteur du module de mémoire additionnelle avec la fente du connecteur dans le compartiment. Veuillez prendre note que si les deux modules de mémoire seront installés, ils seront « empilés ».



**Figure 28. Ouverture du compartiment de mémoire**

- 7 (Figure 29) Insérez le module de mémoire supplémentaire en oblique, à 45°. Poussez fermement le bord du connecteur du module vers le bas et appuyez sur le connecteur jusqu'à ce qu'il se loge sous la clé de serrage. Vous entendrez un clic lorsque celui-ci sera bien en place.
- 8 Remplacez le couvercle et les vis.

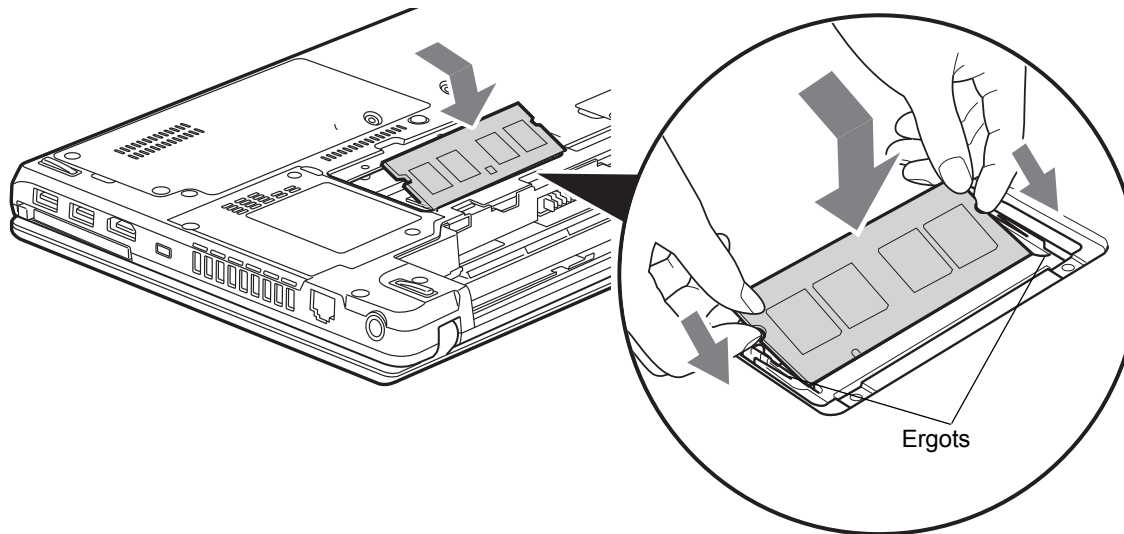


LE MODULE DE MÉMOIRE ADDITIONNELLE N'EST PAS UN ÉLÉMENT QUE VOUS RETIREZ DE VOTRE ORDINATEUR DE FAÇON ROUTINIÈRE. APRÈS L'INSTALLATION, VOUS POUVEZ LE LAISSER EN PLACE JUSQU'À CE QUE VOUS DÉCIDIEZ DE CHANGER LA CAPACITÉ DE MÉMOIRE DU SYSTÈME.

### **Retirer un module de mémoire supplémentaire**

- 1 Exécutez les étapes 1 à 4 de la section « Installation d'un module de mémoire supplémentaire ».
- 2 Tirez les attaches latérales en les orientant vers les côtés pour les éloigner du module.
- 3 En maintenant les ergots écartés, retirez la barrette en la tirant vers à l'extérieur de l'ordinateur. Rangez le module de mémoire supplémentaire dans une gaine protectrice antistatique.
- 4 Remplacez le couvercle et les vis.





**Figure 29. Insérer un module de mémoire additionnelle**

### **Vérification de la capacité de mémoire**

Lorsque vous avez changé la capacité de mémoire du système en remplaçant le module installé par un module plus puissant, assurez-vous que votre ordinateur a reconnu le changement.

Vérifiez la capacité de la mémoire en cliquant sur [Démarrer] -> Paramètres -> Panneau de configuration, puis cliquez sur l'icône Système. Cochez sur la case correspondant à la capacité de mémoire à côté de « Mémoire installée (RAM) : ».



SI LA MÉMOIRE TOTALE AFFICHÉE EST INCORRECTE, VÉRIFIEZ SI LE MODULE DE MÉMOIRE ADDITIONNELLE EST BIEN INSTALLÉ. (SI LE MODULE EST BIEN INSTALLÉ MAIS QUE LA CAPACITÉ N'EST TOUJOURS PAS BIEN RECONNUE, CONSULTEZ LA SECTION DÉPANNAGE EN PAGE 83).

## Ports de périphériques

Votre ordinateur portable LIFEBOOK Fujitsu et le duplicateur de ports optionnel sont équipés de plusieurs ports auxquels vous pouvez brancher des dispositifs externes tels que : lecteurs de disque, claviers, imprimantes, etc.

### Prise de réseau local (RJ-45) interne

La prise interne de réseau local (RJ-45) est utilisée pour une connexion Ethernet Gigabit Ethernet (10Base-T/100Base-Tx/1000Base-T). Il est possible que vous deviez configurer votre ordinateur portable selon les particularités de votre réseau (pour de plus amples informations sur la configuration de votre réseau, veuillez consulter votre administrateur de réseau). Pour brancher le câble de réseau local, exécutez ces opérations simples :

- 1 Alignez le connecteur avec l'ouverture du port.
- 2 Poussez la fiche de connexion dans le port jusqu'à ce qu'elle s'enclenche.
- 3 Branchez l'autre extrémité du câble sur une prise de réseau local.

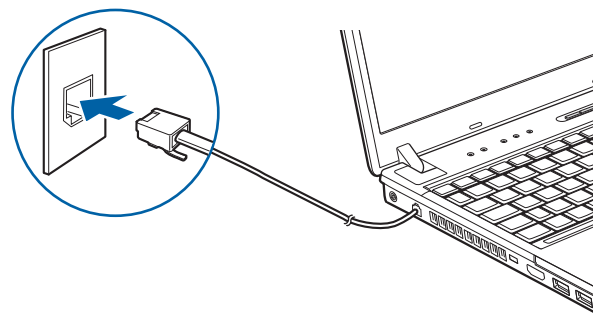


Figure 30. Connexion à un réseau local

## Port DisplayPort / HDMI

Un port DisplayPort ou HDMI (selon la configuration de votre système) est disponible sur le côté gauche de l'ordinateur. Ce port permet de brancher des périphériques DisplayPort ou HDMI sur votre ordinateur portable. Pour connecter un périphérique DisplayPort sur un système doté d'un port DisplayPort, alignez le connecteur avec l'ouverture du port, puis poussez le connecteur à l'intérieur jusqu'à ce qu'il s'y enclenche correctement.

Pour connecter un périphérique HDMI sur un système doté d'un connecteur HDMI, alignez le connecteur avec l'ouverture du port, puis poussez le connecteur à l'intérieur jusqu'à ce qu'il s'y enclenche correctement.

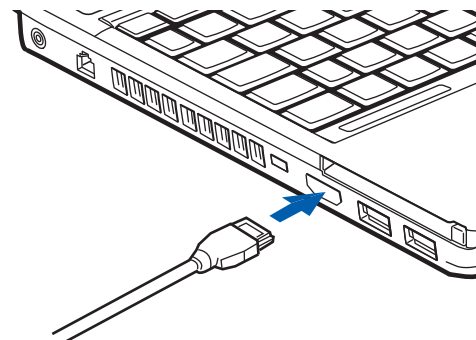


Figure 31. Connexion d'un périphérique DisplayPort

## Ports USB

Les ports Universal Serial Bus (USB) vous permettent de connecter divers périphériques USB tels que des tablettes de jeu externes, des dispositifs de pointage, des claviers et/ou des haut-parleurs. Votre ordinateur est doté de deux ports USB 3.0 sur le côté gauche et d'un port USB 2.0 sur le côté droit. Le port USB 3.0 le plus près de l'avant du système offre également une fonction de charge USB en tout temps. (Pour de plus amples informations, voir ci-dessous).

Pour connecter un dispositif d'interface parallèle, exécutez ces opérations :

- 1 Alignez le connecteur avec l'ouverture du port.
- 2 Poussez la fiche de connexion dans le port jusqu'à ce qu'elle s'enclenche.

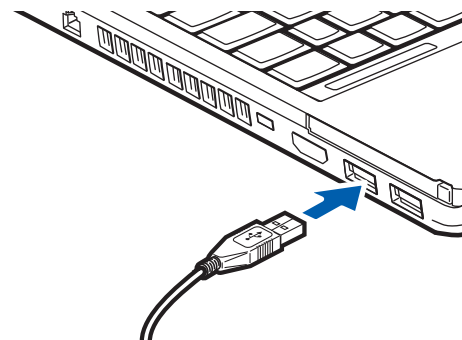


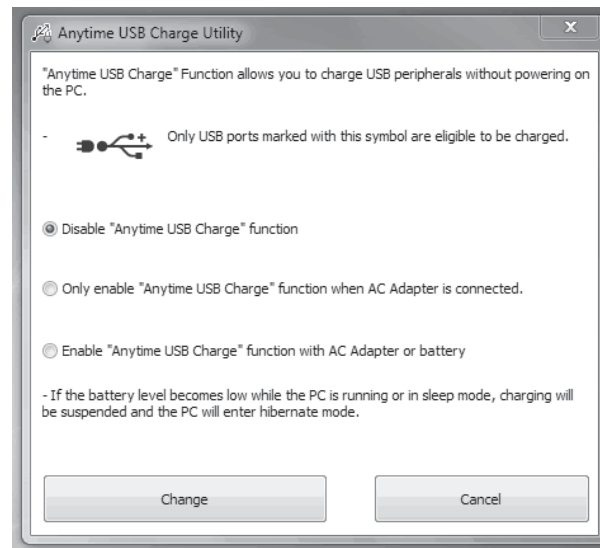
Figure 32. Connexion d'un périphérique USB

## Utilitaire du Chargeur USB Anytime

La fonction de charge USB en tout temps peut être activée et désactivée à partir de l'utilitaire de configuration du BIOS. Par défaut, cette fonction est activée. Vous pouvez modifier les paramètres de la fonction Anytime USB Charge via le menu Démarrer > Tous les programmes > Utilitaire du chargeur USB Anytime, et en cliquant sur Paramètres. Trois positions de réglage sont disponibles avec cette fonction : « Désactiver la fonction de charge USB en tout temps », « Activer la fonction de charge USB en tout temps uniquement avec l'adaptateur secteur connecté » et « Activer la fonction de charge USB en tout temps avec l'adaptateur secteur ou la batterie ». Veuillez prendre note que si ce réglage est choisi, la batterie risque de se vider de toute sa charge si l'adaptateur secteur n'est pas connecté.

Il est possible que certains périphériques USB nécessitent l'installation d'un pilote pour garantir le bon fonctionnement de cette fonction.

Veuillez consulter la documentation accompagnant votre périphérique USB pour correctement le charger à l'aide de l'Utilitaire du chargeur USB Anytime.



## Prise d'écouteurs

La prise d'écouteurs permet de connecter des écouteurs ou des haut-parleurs externes amplifiés. Vos écouteurs ou haut-parleurs doivent être munis d'une mini-prise stéréo de 3,5 mm (1/8 po). Pour connecter des écouteurs ou des haut-parleurs, exécutez ces opérations simples :

- 1 Alignez le connecteur avec l'ouverture du port.
- 2 Poussez la fiche de connexion dans le port jusqu'à ce qu'elle s'enclenche.



- SELON LA CONFIGURATION DE VOTRE SYSTÈME, LA PRISE D'ÉCOUTEURS PEUT AVOIR DIFFÉRENTS USAGES. SUR CERTAINES CONFIGURATIONS, ELLE SERT DE PRISE POUR CASQUE STÉRÉOPHONIQUE. SUR D'AUTRES, ELLE SERT AUSSI DE PRISE DE CASQUE STÉRÉO OU DE SORTIE DE LIGNE.
- SI VOUS BRANCHEZ DES ÉCOUTEURS SUR LA PRISE D'ÉCOUTEURS, LES HAUT-PARLEURS INTÉGRÉS SERONT DÉSACTIVÉS.

## Prise de micro

La prise de micro permet de connecter un microphone mono externe. Votre microphone doit être muni d'une mini fiche de connexion mono de 3,5 mm (1/8 po) pour qu'il puisse être branché sur la prise microphone de votre ordinateur portable.

- 1 Aligned le connecteur avec l'ouverture du port.
- 2 Poussez la fiche de connexion dans le port jusqu'à ce qu'elle s'enclenche.

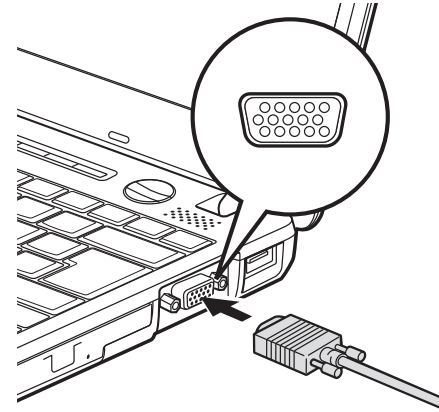


SELON LA CONFIGURATION DE VOTRE SYSTÈME, LA PRISE DE MICROPHONE PEUT AVOIR UN OU DEUX USAGES. SUR CERTAINES CONFIGURATIONS, ELLE SERT DE PRISE DE MICROPHONE MONO. SUR D'AUTRES, ELLE SERT AUSSI DE PRISE DE MICRO STÉRÉO OU D'ENTRÉE DE LIGNE.

## Port vidéo externe

Le port vidéo externe permet de connecter un moniteur externe ou un projecteur ACL. Pour connecter un périphérique vidéo externe, effectuez ces opérations simples :

- 1 Alignez le connecteur avec l'ouverture du port.
- 2 Poussez la fiche de connexion dans le port jusqu'à ce qu'elle s'enclenche.
- 3 Serrez les deux vis de fixation situées de chaque côté du connecteur.



**Figure 33. Branchement d'un périphérique vidéo externe**

## Connecteur de duplicateur de ports

Ce connecteur permet de raccorder votre ordinateur portable à un duplicateur de ports en option. Pour savoir comment procéder, consultez les instructions disponibles sous « Duplicateur de ports » en page 79.

## Duplicateur de ports

Un duplicateur de ports est offert en option par Fujitsu afin d'augmenter la fonctionnalité de votre ordinateur LIFEBOOK® en ajoutant des ports de connexion pour un moniteur VGA externe, un câble de réseau local (RJ-45) quatre périphériques USB 2.0, une alimentation c.c., ainsi que des périphériques DVI et e-SATA.

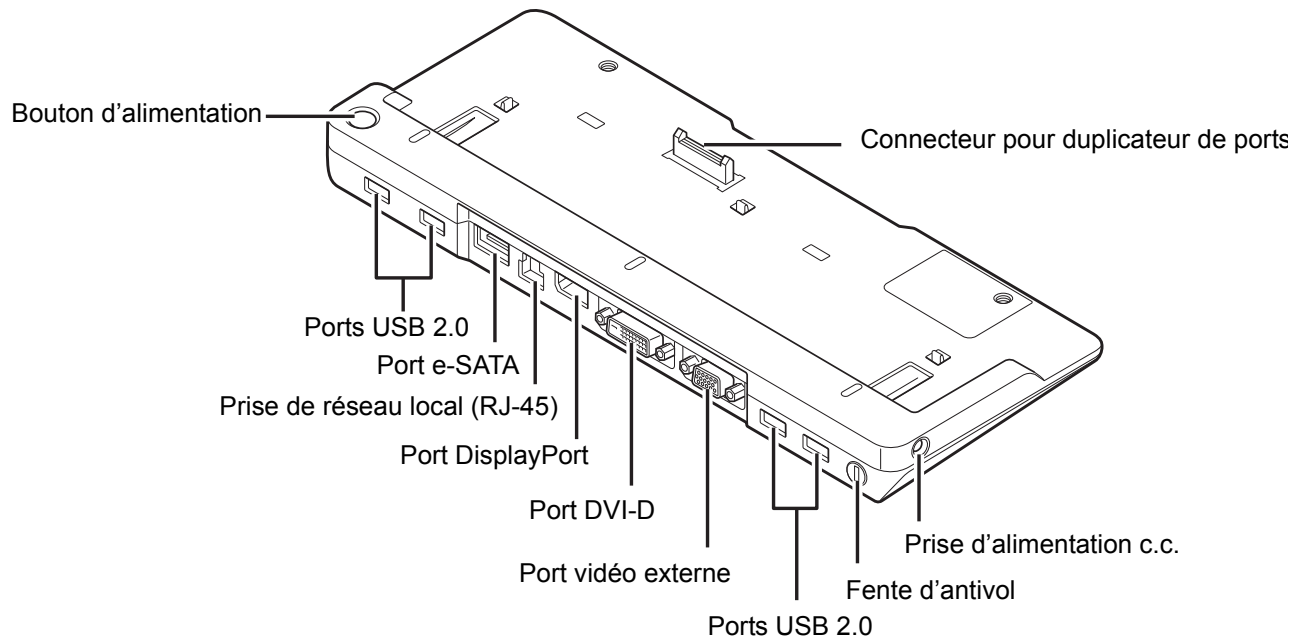


Figure 34. Duplicateur de ports sur face arrière

### Composants du duplicateur de ports

Voici une description des composants du duplicateur de ports. (Figure 34)

#### Bouton d'alimentation

Le bouton d'alimentation permet de mettre en marche et d'arrêter le duplicateur de ports.

## Ports USB 2.0 (Qté : 4)

Les ports USB 2.0 vous permettent de connecter des périphériques USB. Les ports USB 2.0 sont rétrocompatibles avec les périphériques USB 1.1.

## Port e-SATA

Le port e-SATA (External Serial Advanced Technology Attachment) est la version externe du système SATA, lequel connecte votre ordinateur au disque dur. Le port e-SATA est idéal pour la sauvegarde de fichiers volumineux sur un disque dur externe.

## Prise de réseau local (RJ-45)

La prise de réseau local vous permet de connecter un câble de réseau local au duplicateur de ports. Veuillez prendre note que si un duplicateur de ports est installé, vous devez utiliser la prise de réseau local du duplicateur de ports, pas celle de l'ordinateur.

## Port DisplayPort

Ce port permet de connecter des périphériques d'affichage numériques compatibles avec la technologie DisplayPort, avec l'aide d'un câble DisplayPort, notamment un écran plat ou un projecteur numérique.

## Port DVI-D

Le port DVI-D permet de connecter des périphériques d'affichage numériques avec l'aide d'un câble DVI-D, notamment un écran plat ou un projecteur numérique. Les câbles DVI-D servent principalement à connecter un ordinateur à un moniteur ou un dispositif de cinéma à domicile.



- MÊME SI LE DUPLICATEUR DE PORTS OFFRE UNE PRISE EN CHARGE DISPLAYPORT ET DVI-D, VOUS NE POUVEZ UTILISER QU'UNE SEULE DE CES TECHNOLOGIES À LA FOIS. UN COMMUTATEUR INTERNE IDENTIFIE LE TYPE DE PÉRIPHÉRIQUE CONNECTÉ. SI DES PÉRIPHÉRIQUES UTILISANT LES DEUX TECHNOLOGIES SONT CONNECTÉS SIMULTANÉMENT, LE PÉRIPHÉRIQUE DISPLAYPORT SERA PRIORITAIRE.
- IL EST CEPENDANT POSSIBLE D'UTILISER UN PÉRIPHÉRIQUE DISPLAYPORT OU DVI-D EN MÊME TEMPS QU'UN PÉRIPHÉRIQUE VIDÉO EXTERNE CONNECTÉ AU PORT VIDÉO EXTERNE ANALOGIQUE.
- LA TECHNOLOGIE HOT PLUG N'EST PAS PRISE EN CHARGE PAR LES PORTS DISPLAYPORT ET DVI-D.
- SI VOUS CONNECTEZ UN CONVERTISSEUR DISPLAYPORT-HDMI AU PORT DISPLAYPORT, AUCUN SON NE SORTIRA DU PÉRIPHÉRIQUE HDMI. POUR UTILISER SANS PROBLÈME UN PÉRIPHÉRIQUE HDMI, BRANCHEZ-LE SUR LE PORT HDMI SITUÉ SUR LE CÔTÉ GAUCHE DU SYSTÈME.



## Port vidéo externe

Le port vidéo externe permet de connecter un moniteur externe ou un projecteur. Veuillez prendre note que si un duplicateur de ports est installé, vous devez utiliser le port de vidéo externe du duplicateur de ports, pas celui de l'ordinateur.

## Fente d'antivol

La fente de dispositif antivol vous permet d'installer un dispositif antivol disponible en option.

## Prise d'alimentation c.c.

La prise d'alimentation c.c. sert à brancher l'adaptateur secteur, lequel permet d'alimenter l'ordinateur et de charger la batterie interne au lithium.

## Connecteur pour duplicateur de ports

Ce connecteur permet de brancher le duplicateur de ports en option sur votre ordinateur LIFEBOOK.



LE SYSTÈME CONTIENT DES COMPOSANTS POUVANT ÊTRE FORTEMENT ENDOMMAGÉS PAR UNE DÉCHARGE ÉLECTROSTATIQUE (DES). POUR MINIMISER CE RISQUE, VEUILLEZ PRENDRE LES PRÉCAUTIONS SUIVANTES :

- AVANT DE CONNECTER OU DE DÉCONNECTER VOTRE ORDINATEUR PORTABLE LIFEBOOK (LORSQUE VOUS UTILISEZ UN DUPLICATEUR DE PORTS), IL VOUS EST RECOMMANDÉ DE TOUCHER UN OBJET MÉTALLIQUE MIS À LA TERRE AFIN DE DÉCHARGER L'ÉLECTRICITÉ STATIQUE QUI S'EST ACCUMULÉE DANS VOTRE CORPS.
- ASSUREZ-VOUS DE METTRE VOTRE SYSTÈME HORS TENSION AVANT D'AJOUTER OU DE RETIRER DES COMPOSANTS DU SYSTÈME. MÊME SI LE SYSTÈME EST EN ÉTAT DE SOMMEIL OU DE VEILLE PROLONGÉE, DES DONNÉES POURRAIENT ÊTRE PERDUES ET LA MÉMOIRE ENDOMMAGÉE SI LE COURANT QUI ALIMENTE LE SYSTÈME N'EST PAS COUPÉ.

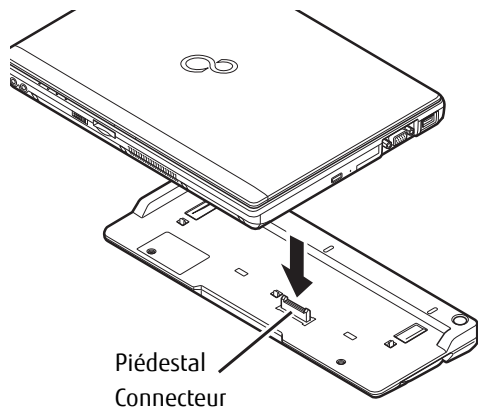
## Installation du duplicateur de ports

Pour installer le duplicateur de ports, alignez le port de connexion du duplicateur de ports sous votre ordinateur portable avec le connecteur sur le duplicateur de ports, puis enfoncez simultanément les coins. (Figure 35)

## Désinstallation du duplicateur de ports

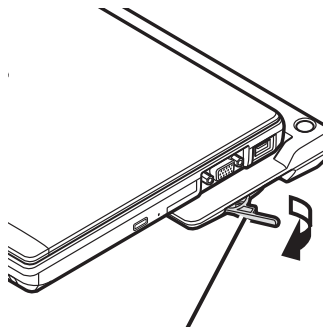
Pour enlever le duplicateur de ports :

- 1 Pour séparer le duplicateur de ports de votre ordinateur portable, tirez le loquet de séparation à l'opposé du duplicateur de ports. (Figure 36)
- 2 Séparez l'ordinateur portable du duplicateur de ports. Le duplicateur est enlevé. (Figure 37)



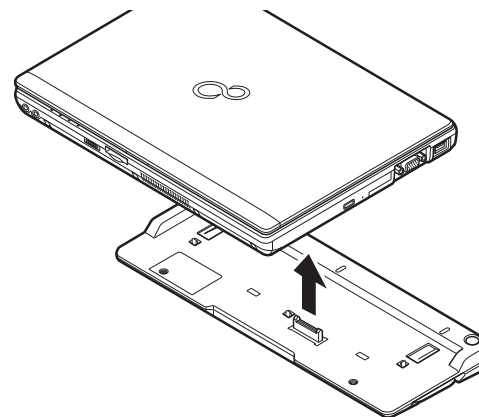
Piédestal  
Connecteur

**Figure 35. Installation**



Loquet d'ouverture

**Figure 36. Déverrouillage**



**Figure 37. Retrait**

## Chapitre 4

# Dépannage de votre LIFEBOOK

---

### Dépannage

Il est possible que vous rencontriez parfois des problèmes simples de configuration ou d'exploitation pouvant être résolus sur le champ, ou des problèmes au niveau d'un périphérique pouvant être résolus en remplaçant l'équipement. Les informations contenues dans cette section vous aideront à isoler et résoudre certains de ces problèmes simples et à identifier les pannes qui nécessitent une réparation.

#### Identification du problème

Si vous éprouvez un problème, consultez la procédure suivante avant d'entreprendre un processus de dépannage complexe :

- 1 Arrêtez votre ordinateur portable LIFEBOOK.
- 2 Assurez-vous que l'adaptateur secteur est connecté à votre ordinateur portable et à une source d'alimentation secteur active.
- 3 Assurez-vous que toute carte insérée dans la fente pour carte PC Card est bien en place. Vous pouvez également enlever la carte de la fente pour vous assurer qu'elle n'est pas la raison de la panne.
- 4 Assurez-vous que tous les périphériques connectés aux connecteurs externes sont bien branchés. Vous pouvez également déconnecter ces périphériques pour vous assurer qu'ils ne sont pas à l'origine de la panne.

- 5 Allumez votre ordinateur portable. Assurez-vous qu'il soit resté hors fonction pendant 10 secondes au moins avant de le remettre en marche.
- 6 Laissez s'exécuter la procédure d'amorçage.
- 7 Si le problème n'a pas été résolu, consultez le tableau suivant pour obtenir des renseignements plus détaillés concernant le dépannage.



SI VOUS PRENEZ EN NOTE TOUT CE QUE VOUS ESSAYEZ, LE SERVICE D'ASSISTANCE POURRA VOUS AIDER PLUS RAPIDEMENT EN VOUS DONNANT DES SUGGESTIONS SUPPLÉMENTAIRES AU TÉLÉPHONE.

- 8 Si vous avez essayé les solutions suggérées par le tableau de dépannage sans succès, communiquez avec le service d'assistance :

Appel sans frais : 1-800-8FUJITSU (1-800-838-5487)

Site Web : <http://solutions.us.fujitsu.com/www/content/support/contact/index.php>.

Avant de nous contacter, veuillez avoir les informations suivantes à portée de main pour que notre préposé du service à la clientèle puisse vous venir en aide le plus rapidement possible :

- Nom du produit
- Numéro de configuration du produit
- Numéro de série du produit
- Date d'achat
- Conditions dans lesquelles le problème est survenu
- Texte des messages d'erreur reçus
- Types de périphériques connectés, si applicable

Pour les numéros de série et de configuration, consultez l'étiquette de configuration sur le dessous de votre ordinateur.

## Problèmes spécifiques

### Utilisation du tableau de dépannage

Lorsque vous éprouvez des problèmes avec votre ordinateur portable LIFEBOOK, essayez de trouver les symptômes sous la colonne Problème du tableau suivant pour la fonction qui vous cause des problèmes. Vous trouverez une description des causes communes pour ce symptôme sous la colonne Cause possible ; le cas échéant, ce que vous pouvez faire pour corriger la situation se trouve sous la colonne Solutions possibles. Il est possible que certaines causes et solutions possibles ne s'appliquent pas à votre ordinateur.

### Tableau de dépannage

<b>Problème</b>	<b>Page</b>	<b>Problème</b>	<b>Page</b>
Problèmes audio . . . . .	page 86	Problèmes USB . . . . .	page 88
Problèmes de lecteur optique . . . . .	page 86	Problèmes de carte ExpressCard . . . . .	page 89
Problèmes de duplicateur de ports . . . . .	page 87	Problèmes d'alimentation électrique . . . . .	page 89
Problèmes de disque dur . . . . .	page 87	Problèmes d'arrêt et de démarrage . . . . .	page 91
Problèmes de clavier ou de souris . . . . .	page 87	Problèmes vidéo . . . . .	page 92
Problèmes de mémoire . . . . .	page 88	Problèmes divers . . . . .	page 93

Problème	Cause possible	Solutions possibles
<b>Problèmes audio</b>		
Aucun son ne sort des haut-parleurs incorporés.	Le volume est réglé à un niveau très bas.	Réglez le volume avec la combinaison de touches [Fn+F9] sur votre clavier. Gardez la touche [Fn] enfoncée et appuyez plusieurs fois sur [F9] pour augmenter le volume sonore de l'ordinateur.
	Le volume logiciel est réglé à un niveau trop bas.	Le réglage manuel du volume avec les touches du clavier devrait changer dynamiquement le niveau de volume du système d'exploitation (voir ci-dessus). Si cela ne fonctionne pas, réglez les paramètres de volume dans l'application utilisée.
	Des écouteurs sont branchés sur votre ordinateur portable.	Le branchement d'écouteurs désactive les haut-parleurs incorporés, enlevez les écouteurs.
	Le lecteur de logiciel n'est pas bien configuré.	Le pilote audio peut être installé ou réinstallé. Consultez la documentation de votre application et de votre système d'exploitation pour obtenir de l'aide.
	Les haut-parleurs ont été bloqués en utilisant l'icône Volume située dans la zone de notification.	Cliquez sur l'icône Volume dans la barre d'outils, en bas à droite de l'écran. (elle ressemble à un haut-parleur). Si la case Muet est cochée, cliquez dessus pour la décocher. Vous pouvez aussi utiliser la combinaison de touches [Fn+F3] pour activer ou désactiver le volume. Appuyez sur [F3] en enfonçant la touche [Fn] pour activer ou désactiver la fonction Silence (ou Muet).
<b>Problèmes du lecteur optique</b>		
L'ordinateur LIFEBOOK ne peut reconnaître les disques optiques.	Le disque n'est pas bien logé dans le cercle surélevé au centre du lecteur.	Ouvrez le plateau du lecteur optique et réinstallez correctement le disque.
	Le tiroir du lecteur optique n'est pas bien fermé.	Appuyez sur le devant du tiroir du lecteur optique jusqu'à ce que le verrou s'enclenche. Si cela ne fonctionne pas, déverrouillez et retirez le lecteur optique modulaire du compartiment, puis réinsérez-le jusqu'à ce qu'il s'enclenche. Cela permet de bien le brancher.
	Mauvais logiciel lecteur de DVD ou aucun logiciel lecteur de DVD installé.	Installez un logiciel de lecture de DVD ( <i>Pour de plus amples informations, voir « Logiciels du lecteur multimédia » en page 60</i> ).
	Un mauvais identificateur d'unité a été utilisé pour le disque.	Vérifiez si l'identificateur d'unité utilisé par l'application est le même que celui utilisé par le système d'exploitation. Lorsque le système d'exploitation démarre à partir d'un DVD/CD, les identifications des lecteurs sont automatiquement ajustées. Veuillez noter que l'identification d'une unité peut être changée avec l'outil Gestion des disques situé dans <b>Outils administratifs</b> -> <b>Gestion de l'ordinateur</b> .

Problème	Cause possible	Solutions possibles
L'ordinateur portable LIFEBOOK ne reconnaît pas les disques optiques. (suite)	Le DVD/CD-RW/CD-ROM est sale ou défectueux.	Essuyez le disque avec un chiffon de nettoyage doux, puis réinsérez-le. S'il ne fonctionne toujours pas, essayez un autre disque dans le lecteur.
Le voyant d'accès au lecteur optique du tableau de voyants d'état clignote lorsque le lecteur ne contient pas de disque ou qu'il n'y a pas de lecteur optique installé.	La fonction Windows d'insertion automatique est active et vérifie si un disque est prêt à être lu.	Cela est normal. Toutefois, vous pouvez désactiver cette fonction.
<b>Problèmes de duplicateur de ports</b>		
<b>Remarque :</b> Assurez-vous de mettre votre ordinateur portable LIFEBOOK en marche avant d'ajouter une imprimante au port parallèle du duplicateur de port.		
Le système ne démarre pas s'il est installé dans le duplicateur de ports optionnel.	L'adaptateur c.a. du duplicateur de ports n'est pas branché.	Alimentez le duplicateur de ports.
	L'ordinateur portable n'est pas bien logé dans le duplicateur de ports.	Retirez votre ordinateur et reconnectez-le.
<b>Problèmes de disque dur</b>		
Vous ne pouvez pas accéder à votre disque dur.	Un mauvais identificateur d'unité a été utilisé par une application lorsqu'un disque d'amorçage a été utilisé pour démarrer votre ordinateur.	Assurez-vous que la lettre d'unité utilisée par l'application est bien celle qu'utilise le système d'exploitation. Lorsque le système d'exploitation est démarré à partir d'un CD, les identifications du lecteur sont ajustées automatiquement.
	Les paramètres de sécurité exigent un mot de passe pour le démarrage du système d'exploitation.	Vérifiez votre mot de passe et vos paramètres de sécurité.
<b>Problèmes de clavier ou de souris</b>		
Le clavier intégré ne semble pas fonctionner.	L'ordinateur portable est entré en mode sommeil.	Appuyez sur le bouton d' <b>alimentation/veille/reprise</b> .
	L'application a verrouillé votre clavier.	Essayez d'utiliser votre dispositif de pointage intégré pour redémarrer votre système.

<b>Problème</b>	<b>Cause possible</b>	<b>Solutions possibles</b>
Vous avez installé un clavier ou une souris externe et il/elle ne semble pas fonctionner.	Votre périphérique externe n'est pas bien installé.	Réinstallez votre périphérique. Voir « Ports de périphériques » en page 74.
	Le logiciel de votre système d'exploitation n'est pas configuré avec le bon pilote pour ce périphérique.	Consultez la documentation du périphérique et du système d'exploitation, puis installez le pilote approprié.
	Votre système s'est planté.	Essayez de redémarrer votre ordinateur portable. I
Vous avez connecté un clavier externe ou une souris et il/elle semble bloquer le système.	Le logiciel de votre système d'exploitation n'est pas configuré avec le bon pilote pour ce périphérique.	Consultez la documentation du périphérique et du système d'exploitation, puis installez le pilote approprié.
<b>Problèmes de mémoire</b>		
L'écran de démarrage n'indique pas la quantité de mémoire installée correctement.	Module de mémoire additionnelle mal installé.	Enlevez et réinstallez votre module de mémoire additionnelle. Voir « Module de mémoire additionnelle » en page 71.
	Votre mémoire est défaillante.	Vérifiez les messages de l'auto-diagnostic de démarrage (POST). Voir « Messages de l'auto-diagnostic de mise sous tension » en page 94.
<b>Problèmes USB</b>		
Vous avez installé un périphérique USB, mais l'ordinateur LIFEBOOK ne reconnaît pas le périphérique, ou le périphérique ne semble pas fonctionner correctement.	Votre périphérique n'est pas bien installé.	Retirez et réinstallez votre périphérique. Voir « Ports de périphériques » en page 74.
	Votre périphérique pourrait ne pas disposer du bon pilote de logiciel actif.	Consultez la documentation relative à votre logiciel et activez le bon pilote.
	Le périphérique a peut-être été installé pendant qu'une application était en exécution et l'ordinateur portable ne reconnaît donc pas son installation.	Fermez l'application et redémarrez votre ordinateur portable.



Problème	Cause possible	Solutions possibles
<b>Problèmes de carte ExpressCard</b>		
Une carte insérée dans la fente de carte ExpressCard ne fonctionne pas ou bloque le système.	La carte est mal installée.	Retirez et réinstallez la carte. Voir « Cartes ExpressCard®/Smart Card » en page 68.
	Votre logiciel pourrait ne pas disposer du bon pilote actif.	Consultez la documentation relative à votre logiciel et activez le bon pilote.
	La carte a peut-être été installée pendant qu'une application était en exécution et votre ordinateur portable n'a donc pas détecté son installation.	Fermez l'application et redémarrez votre ordinateur portable.
	L'adresse d'E/S sélectionnée pour la carte est incorrecte.	Consultez la documentation de votre carte ExpressCard pour déterminer l'adresse d'E/S requise. Modifiez les paramètres dans le Gestionnaire de périphériques. Gestionnaire.
<b>Problèmes d'alimentation</b>		
Lorsque vous allumez le LIFEBOOK, rien ne semble se produire.	La batterie principale installée est complètement déchargée, il n'y a pas de deuxième batterie en option installée ou l'adaptateur n'est pas branché.	Vérifiez le tableau de voyants d'état pour déterminer la présence et l'état des batteries. Voir « Tableau de voyants d'état » en page 20. Installez une batterie chargée ou branchez un adaptateur d'alimentation.
	La batterie primaire est installée, mais est défectueuse.	Vérifiez le tableau de voyants d'état pour déterminer la présence et l'état des batteries. Voir « Tableau de voyants d'état » en page 20. Si un voyant indique une batterie court-circuitée, enlevez la batterie et utilisez un adaptateur secteur ou remplacez la batterie.
	La batterie ou les batteries sont faibles.	Consultez le tableau de voyants d'état pour connaître l'état de la (des) batterie(s). Voir « Tableau de voyants d'état » en page 20. Utilisez un adaptateur d'alimentation en attendant que la batterie se charge ou installez une batterie chargée.
	L'adaptateur secteur n'est pas branché convenablement.	Vérifiez si votre adaptateur est branché de façon appropriée. Voir « Sources d'alimentation » en page 41.
	L'adaptateur de courant (secteur ou auto/avion) est défectueux.	Essayez un autre adaptateur de courant ou installez une batterie secondaire optionnelle chargée.
	L'adaptateur n'obtient aucune alimentation de la prise murale, de la prise pour adaptateur sur le siège de l'avion ou de l'allume-cigarette dans la voiture.	Branchez le cordon d'alimentation secteur dans une autre prise murale et vérifiez si un interrupteur ou un disjoncteur coupe le courant. Si vous utilisez un adaptateur auto/avion dans un véhicule, assurez-vous que la clé de contact est à la position On (marche) ou Acc. (accessoires).

Problème	Cause possible	Solutions possibles
Votre ordinateur portable LIFEBOOK s'éteint tout seul.	Les paramètres de gestion d'alimentation sont réglés à des temporisations (délais d'inactivité) automatiques trop courtes par rapport à vos besoins d'exploitation.	Appuyez sur n'importe quelle touche sur le clavier, ou déplacez votre souris pour restaurer le fonctionnement. Si cela ne fonctionne pas, appuyez sur le bouton d'alimentation/veille/reprise. Vérifiez vos paramètres de gestion d'alimentation, ou fermez vos applications et allez à Options d'alimentation dans le Panneau de configuration pour ajuster les valeurs de temporisation afin qu'elles répondent mieux à vos besoins.
	Votre batterie est défectueuse.	Consultez le tableau de voyants d'état pour connaître l'état des batteries et remplacez ou retirez les batteries court-circuitées. Voir « <i>Tableau de voyants d'état</i> » en page 20.
	L'ordinateur est alimenté par batterie et vous n'avez pas tenu compte d'un avertissement de batterie faible ; l'ordinateur est donc maintenant en mode « veille car batterie épuisée ».	Installez un adaptateur de courant puis appuyez sur le bouton d'alimentation/veille/reprise. Voir « <i>Sources d'alimentation</i> » en page 41.
	Votre adaptateur d'alimentation est tombé en panne ou a perdu sa source d'énergie.	Assurez-vous que l'adaptateur est branché et que la prise est alimentée.
L'ordinateur ne fonctionne pas lorsqu'il est alimenté uniquement par batterie.	Aucune batterie n'est installée.	Installez une batterie chargée.
	La batterie installée est épuisée.	Remplacez la batterie par une batterie chargée ou branchez un adaptateur d'alimentation.
	Les batteries installées ne sont pas bien connectées.	Vérifiez si les batteries sont bien connectées en les réinstallant.
	Les batteries installées sont défectueuses.	Consultez le tableau de voyants d'état pour connaître l'état de la batterie et remplacez ou retirez toute batterie court-circuitée. Voir « <i>Tableau de voyants d'état</i> » en page 20.
Les batteries semblent se décharger trop rapidement.	Vous utilisez une application qui consomme beaucoup d'énergie.	Dans la mesure du possible, utilisez une batterie primaire et une batterie secondaire optionnelle et/ou un adaptateur de courant pour cette application.
	Les fonctions d'économies d'énergie sont peut-être désactivées.	Consultez le menu Options d'alimentation du Panneau de configuration pour changer les paramètres en fonction de vos besoins.
	La luminosité est réglée au maximum.	Réduisez la luminosité. Plus la luminosité est élevée, plus l'écran d'affichage consomme de l'énergie.
	Les batteries installées sont vieilles.	Remplacez les batteries.

Problème	Cause possible	Solutions possibles
Les batteries semblent se décharger trop rapidement. (suite)	Les batteries ont été exposées à des températures élevées.	Remplacez les batteries.
	Les batteries sont trop chaudes ou trop froides.	Rétablissez la température opérationnelle de l'ordinateur à la valeur normale. L'icône de chargement sur le tableau de voyants d'état clignote lorsque la batterie est en dehors de la plage de fonctionnement.
<b>Problèmes d'arrêt et de démarrage</b>		
Le bouton de veille/reprise ne fonctionne pas.	Il est possible qu'il y ait un conflit entre logiciels.	Fermez toutes les applications et essayez le bouton à nouveau.
	Le bouton veille/reprise est désactivé.	Activez le bouton en sélectionnant l'option « Choisir ce que fait le bouton », elle se trouve dans les Propriétés des options d'alimentation du Panneau de configuration.
Le système se met en marche et affiche les informations sur la mise en marche, mais n'est pas en mesure de charger le système d'exploitation.	Vous avez un système protégé qui requiert un mot de passe pour charger votre système d'exploitation.	Assurez-vous d'avoir le bon mot de passe. Accédez à l'utilitaire de configuration et vérifiez les paramètres de sécurité, puis modifiez-les en conséquence. Voir « Utilitaire de configuration du BIOS » en page 47.
	Le disque dur n'a pas été détecté.	Essayez de détecter automatiquement le disque dur interne en utilisant l'utilitaire de configuration du BIOS ou le sous-menu Maître principal situé dans le Menu principal.
Un message d'erreur s'affiche sur l'écran durant la procédure d'amorçage.	L'auto-diagnostic de mise sous tension (POST) a détecté un problème.	Lisez les messages de l'auto-test pour déterminer la signification et la sévérité du problème. Tous les messages n'indiquent pas des erreurs ; certains sont simplement des indicateurs d'état. Voir « Messages de l'auto-diagnostic de mise sous tension » en page 94.
Votre ordinateur portable semble changer les paramètres de configuration lorsque vous le démarrez.	Les modifications que vous avez apportées à la configuration du BIOS n'ont pas été sauvegardées lorsque vous avez quitté l'utilitaire.	Assurez-vous de sélectionner l'option <b>Sauvegarder les changements et quitter</b> lorsque vous quittez l'utilitaire de configuration du BIOS.
	La batterie de rétention du BIOS CMOS fait défaut.	Communiquez avec le service d'assistance concernant les réparations. Cela n'est pas une pièce réparable par l'utilisateur mais elle est censée avoir une durée normale de vie de 3 à 5 ans.
L'écran ne s'allume pas au démarrage ou à la sortie du mode Veille.	Vous avez installé le Tableau de sécurité et d'applications du LIFEBLOCK.	Consultez les indicateurs d'état pour voir si l'icône de sécurité est affichée. Le cas échéant, entrez votre mot de passe Voir « Tableau de voyants d'état » en page 20.

Problème	Cause possible	Solutions possibles
<b>Problèmes vidéo</b>		
L'écran d'affichage intégré demeure vide lorsque vous mettez en marche votre ordinateur LIFEBOOK.	L'angle de l'affichage et les paramètres de luminosité ne sont pas adaptés à vos conditions d'éclairage.	Déplacez l'écran et actionnez la commande de luminosité jusqu'à ce que vous ayez une visibilité adéquate. Pour régler la luminosité, maintenez la touche [Fn] enfoncée et appuyez sur [F6] ou [F7].
	L'ordinateur portable est réglé pour fonctionner avec un moniteur externe seulement.	Gardez la touche [Fn] enfoncée et appuyez sur la touche [F10] pour changer votre sélection et choisir où envoyer votre affichage. Chaque fois que vous appuyez sur ces touches, vous passez au choix suivant. Les choix, par ordre, sont : écran intégré seulement, moniteur externe seulement, puis écran intégré et moniteur externe ensemble.
	Les temporisations de gestion de l'alimentation peuvent être réglées à des intervalles trop courts et vous n'avez pas remarqué que l'écran s'est allumé, puis éteint de nouveau.	Appuyez sur une touche du clavier ou déplacez la souris. Si cela ne fonctionne pas, appuyez sur le bouton d'alimentation/veille/reprise (l'écran d'affichage peut avoir été arrêté par le mode sommeil, veille automatique ou temporisation vidéo).
L'ordinateur portable s'est mis en marche en émettant une série de tonalités et votre écran est vide.	L'auto-diagnostic de mise sous tension a détecté une anomalie qui ne permet pas à l'écran d'affichage de fonctionner.	Communiquez avec le service d'assistance.
L'écran devient vide par lui-même après avoir été utilisé.	L'ordinateur est entré en mode Sommeil ou Veille prolongée, ou le délai de temporisation vidéo a été atteint car le système est resté inactif pendant une longue période.	Appuyez sur n'importe quelle touche sur le clavier, ou déplacez votre souris pour restaurer le fonctionnement. Si cela ne fonctionne pas, appuyez sur le bouton d'alimentation/veille/ reprise Vérifiez vos paramètres de gestion de l'alimentation en consultant Options d'alimentation dans le Panneau de configuration.
	Les temporisations de gestion de l'alimentation peuvent être réglées à des intervalles trop courts et vous n'avez pas remarqué que l'écran s'est allumé, puis éteint de nouveau.	Appuyez sur n'importe quelle touche sur le clavier, ou déplacez votre souris pour restaurer le fonctionnement. Si cela ne fonctionne pas, appuyez sur le bouton d'alimentation/veille/reprise (L'écran d'affichage peut avoir été arrêté par le mode sommeil, veille automatique ou temporisation vidéo).
L'écran ne s'allume pas au démarrage ou à la sortie du mode veille.	Le système est protégé par mot de passe.	Vérifiez le tableau de voyants d'état pour vous assurer que l'icône Sécurité clignote. Le cas échéant, entrez votre mot de passe.

Problème	Cause possible	Solutions possibles
L'écran d'affichage ne se ferme pas.	Un objet étranger est coincé entre l'écran et le clavier.	Retirez tous les objets étrangers du clavier.
L'écran affiche des zones claires ou sombres.	Si ces zones sont très petites et si leur nombre est restreint, cela est normal pour un grand écran ACL.	Ne faites rien.
	Si les zones sont nombreuses ou suffisamment grandes pour perturber vos besoins d'exploitation.	L'écran est défectueux : communiquez avec le service d'assistance.
L'écran est sombre lorsqu'il fonctionne sur l'alimentation par batterie.	La valeur par défaut de l'utilitaire Gestion de l'alimentation est réglée sur Faible luminosité pour économiser l'énergie.	Appuyez sur [Fn] + [F7] pour augmenter la luminosité ou double-cliquez sur l'indicateur de batterie pour ajuster le Réglage de l'alimentation dans les Paramètres de la batterie.
Vous avez connecté un moniteur externe, mais il n'affiche aucune information.	Votre moniteur externe n'est pas bien installé.	Réinstallez votre périphérique. Voir « Port vidéo externe » en page 78.
	Votre système d'exploitation n'est pas configuré avec le bon pilote pour ce périphérique.	Consultez la documentation du périphérique et du système d'exploitation, puis installez le pilote approprié.
Vous avez connecté un moniteur externe et il ne s'allume pas.	Votre moniteur externe n'est pas compatible avec votre ordinateur portable LIFEBOOK.	Consultez la documentation de votre moniteur, ainsi que les conseils concernant le moniteur externe dans la section Spécifications. Voir « Spécifications » en page 112.
<b>Problèmes divers</b>		
Un message d'erreur s'affiche sur l'écran durant l'exécution d'une application.	Les applications génèrent souvent leurs propres messages d'erreur.	Pour obtenir de plus amples informations, consultez le guide d'utilisation et les écrans d'aide de votre application. Tous les messages n'indiquent pas des erreurs ; certains sont simplement des indicateurs d'état.

## Messages de l'auto-diagnostic de mise sous tension

Voici une liste des messages d'erreur et d'état que le BIOS Phoenix et/ou votre système d'exploitation peuvent générer ainsi qu'une explication pour chacun d'eux. Les messages d'erreurs sont marqués d'un \*. Si un message d'erreur est affiché et ne se trouve pas dans la liste, prenez-le en note et vérifiez-le dans la documentation du système d'exploitation (à l'écran et dans le manuel imprimé). Si vous ne trouvez pas d'explication au message, communiquez avec le service d'assistance.

### **\*Données NVRAM non valides**

Problème d'accès à la mémoire NVRAM. Au cas où ce message s'afficherait, ce qui est peu probable, vous pourriez avoir un problème d'affichage. Vous pouvez continuer à utiliser votre ordinateur mais vous devriez communiquer avec le service d'assistance pour plus d'informations.

### **\*Erreur du contrôleur de clavier**

Le test du contrôleur de clavier a échoué. Vous pourriez avoir besoin de remplacer votre clavier ou le contrôleur de votre clavier mais vous pourriez utiliser un clavier externe en attendant. Communiquez avec le service d'assistance.

### **\*Le clavier n'a pas été détecté**

Le clavier ne fonctionne pas. Vous pourriez avoir besoin de remplacer votre clavier ou le contrôleur de votre clavier mais vous pourriez utiliser un clavier externe en attendant. Communiquez avec le service d'assistance.

### **\*Système d'exploitation introuvable**

Le système d'exploitation ne peut pas être localisé ni sur le lecteur A: ni sur le lecteur C: Accédez à l'utilitaire de configuration et vérifiez si le disque fixe et le lecteur A: sont bien identifiés et si la séquence d'amorçage est bien configurée. Le système d'exploitation devrait être sur le lecteur C: sauf si vous avez changé sensiblement votre installation. Si l'utilitaire de configuration est bien installé, votre disque dur pourrait être corrompu.

### **\*Appuyez sur <F1> pour reprendre, sur <F2> pour CONFIGURER**

Affiché après tout message d'erreur récupérable. Appuyez sur [F1] pour continuer le démarrage ou sur [F2] pour accéder à l'utilitaire de configuration.

### **\*Erreur de l'horloge de temps réel - Vérifiez les paramètres d'heure et de date**

L'horloge de temps réel a échoué le test du BIOS. Une réparation de la carte mère pourrait être nécessaire. Communiquez avec le service d'assistance.

### **\*Erreur de ventilateur, le système s'arrêtera dans 30 secondes. Contactez le service de support technique Fujitsu.**

Une erreur de ventilateur s'est produite. Communiquez avec votre représentant d'assistance technique.

### **\*Une erreur de ventilateur s'est produite durant l'amorçage.**

Une erreur de ventilateur s'est produite durant l'amorçage. Communiquez avec votre représentant d'assistance technique.

## Restauration de votre image de système et de vos logiciels

Avant de commencer à utiliser votre ordinateur, il est très important de faire des copies sur DVD de l'image d'origine et du disque d'amorçage (ainsi que d'autres supports comme le disque de pilotes, d'applications et de restauration). Pour ce faire, suivez les instructions données dans les sections « Sauvegarde de l'image d'origine » et « Création de sauvegardes de l'image d'origine et des disques » de ce chapitre.

### Enregistrement et restauration de vos images d'origine et de système

Outre les instructions sur l'enregistrement de votre image d'origine, ce document explique plusieurs autres procédures importantes, notamment la création d'une image de système, la restauration de l'image d'origine et des images de système, la gestion de vos images et la restauration des partitions sur un disque dur.



- POUR INSTALLER DES APPLICATIONS, POUR COPIER L'IMAGE D'ORIGINE ET LES IMAGES DE SYSTÈME, POUR GRAVER UN DISQUE PRA, DES DISQUES D'APPLICATIONS OU DES DISQUES D'AMORÇAGE, **VOUS DEVEZ AVOIR UN GRAVEUR DE DVD INTERNE OU EXTERNE.**
- IL EST EXTRÊMEMENT IMPORTANT DE COPIER VOTRE IMAGE D'ORIGINE SUR DES SUPPORTS AMOVIBLES (P. EX. DISQUES DVD). DANS LE CAS CONTRAIRE, VOUS RISQUEZ DE NE PAS POUVOIR RESTAURER L'IMAGE À UNE DATE ULTÉRIEURE.
- NOUS VOUS RECOMMANDONS D'UTILISER DES DISQUES DE TYPE DVD-R OU DVD+R POUR VOS SAUVEGARDES MAIS LES SUPPORTS\* SUIVANTS SONT AUSSI PRIS EN CHARGE :  
POUR L'IMAGE D'ORIGINE, LES DONNÉES D'APPLICATION ET LE DISQUE D'AMORÇAGE : DVD-R/+R.  
POUR LES IMAGES DE SYSTÈME CRÉÉES PAR L'UTILISATEUR : DVD-R/+R, DVD-RW/+RW, DVD-DL.

\* SELON LE LECTEUR OPTIQUE ET LE FORMAT DU SUPPORT UTILISÉ, CERTAINS TYPES DE SUPPORTS PEUVENT NE PAS CONVENIR À LA CRÉATION D'IMAGES DE SYSTÈME.



ÉTANT DONNÉ CERTAINES LIMITES LÉGALES, CERTAINES APPLICATIONS TIERCES DEVRONT ÊTRE INSTALLÉES SÉPARÉMENT À L'AIDE DU SUPPORT D'APPLICATIONS JOINT À VOTRE ORDINATEUR.

### Enregistrement de votre image d'origine

Lorsque vous avez acheté votre nouveau système, l'image d'origine a été pré-installée dans une partition cachée de votre disque dur. Une copie de l'image d'origine vous permettra, en cas de panne grave, de restaurer votre système exactement comme il était à l'origine.

Pour créer une copie de sécurité de l'image d'origine sur des DVD, plusieurs disques vierges (les DVD-R ou DVD+R sont recommandés) vous seront nécessaires. Lorsque vous avez terminé la copie, assurez-vous d'étiqueter clairement les disques et de les conserver en lieu sûr.

## Création d'images de sauvegarde de l'image d'origine et des disques



- SUR CERTAINS MODÈLES DE LIFEBOOK, LES APPLICATIONS NE SONT PAS SUR LE DISQUE DUR. ELLES SONT PLUTÔT DISPONIBLES POUR TÉLÉCHARGEMENT SUR LE SITE WEB D'ASSISTANCE FUJITSU. VEUILLEZ EN TENIR COMPTE LORSQUE VOUS LISEZ LES PROCÉDURES SUIVANTES.
- TOUTES LES DONNÉES CRÉÉES PAR L'UTILISATEUR SERONT SUPPRIMÉES DE VOTRE SYSTÈME LORSQUE L'IMAGE D'ORIGINE SERA RESTAURÉE.

Le bouton [Gérer/Changer] permet également de créer des copies de sauvegarde de l'image d'origine, du ou des disques d'applications ou du disque d'amorçage.

- 1 Lancez le programme My Recovery en cliquant sur l'icône correspondante disponible sur le bureau.
- 2 Sélectionnez [Gérer/Créer] -> [Gérer les images de sauvegarde].  
Vous trouverez dans le menu « Images de sauvegarde » une liste dans laquelle vous pouvez choisir le type de disque que vous souhaitez graver : disque d'amorçage, disques d'application ou disque de récupération.
- 3 Sélectionnez *Disque de restauration*, puis cliquez sur [Graver le DVD].
- 4 Assurez-vous que le numéro de la case est « 2 » (Remarque : en fonction de la taille de l'image, il est possible que le chiffre de l'image d'origine indiqué soit supérieur).
- 5 Vous voyez apparaître le message « Le disque de restauration 1 sera créé. Inscrivez quelques commentaires et un numéro de disque sur le DVD. » Cliquez sur [OUI] pour commencer à graver l'image d'origine.
- 6 Lorsque le système copie, il affiche un écran « Écriture sur disque » avec une barre de progression. Lorsque l'opération est terminée, une boîte de dialogue vous informe que la copie de sauvegarde a été créée avec succès.
- 7 Répétez la procédure avec les autres disques d'images (disque d'amorçage et disques d'applications). Le nombre d'images disponibles peut varier selon le modèle du système; sur certains modèles, les applications ne sont pas chargées sur le disque dur.



## Restauration de votre image d'origine

Si vous avez un jour besoin de restaurer votre image d'origine, exécutez les opérations suivantes. Il ne faut pas oublier que vous pouvez avoir des applications de fabricants indépendants devant être installées séparément à l'aide du disque d'applications livré avec votre ordinateur.



**TOUTES LES DONNÉES CRÉÉES PAR L'UTILISATEUR SERONT SUPPRIMÉES** DE VOTRE SYSTÈME LORSQUE L'IMAGE D'ORIGINE SERA RESTAURÉE.

Si vous désirez restaurer votre image d'origine, exécutez les opérations indiquées sous « Exécution de la fonctionnalité Restauration et Utilitaires à partir du disque dur ».

### Création d'une image de système

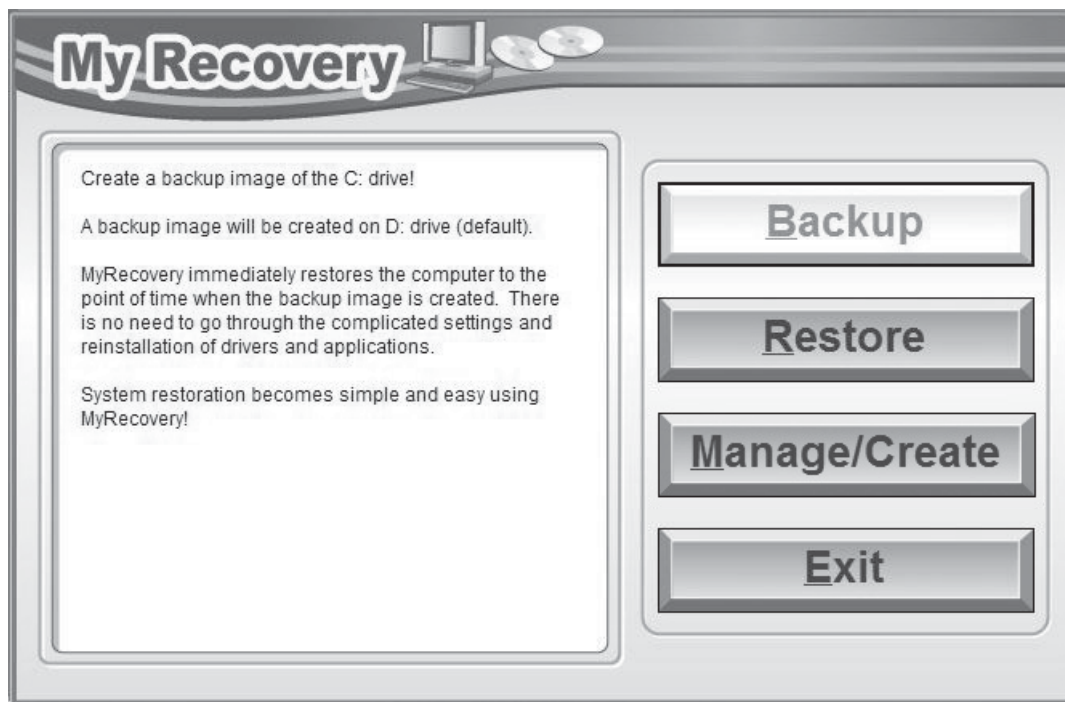
**Étape facultative :** Depuis votre bureau Windows, lancez l'utilitaire Applications Fujitsu en prime, puis sélectionnez les composants que vous désirez installer.

**Copies de sauvegarde de l'image système configurées par l'utilisateur :** Sur votre bureau, il existe une icône **[MyRecovery]** (Ma restauration) qui vous permet de faire une copie de sécurité de votre image système actuelle sur un autre emplacement de votre disque dur ou sur un support externe. Une image système est un enregistrement de la configuration de votre unité de disque C: à un moment précis. Il est conseillé de faire occasionnellement une copie de sécurité de l'image système afin de pouvoir revenir à certains stades précédents sans avoir à revenir au tout début, à l'image d'origine.



Par défaut, les images de système sont enregistrées dans le dossier MyRecovery (soit sur D:\ soit sur une unité de disque externe, selon la configuration de votre système).

- 1 Cliquez sur l'icône [MyRecovery] de votre bureau Windows. L'écran My Recovery apparaîtra (voir la figure 38). Il est possible que votre étiquette soit différente selon la configuration de votre système.)
- 2 Dans l'écran MyRecovery, cliquez sur [Sauvegarde].
- 3 Sur l'écran suivant, vous pouvez saisir jusqu'à 200 caractères d'informations se rapportant au fichier de sauvegarde. Ces informations vous aideront à identifier l'image ultérieurement.



**Figure 38. Écran MyRecovery**

- 4** Cliquez sur [Suivant] et vous verrez le système redémarrer.
- 5** Après le redémarrage, vous voyez apparaître une fenêtre « Création de l'image de sécurité » vous proposant de « Créer l'image sur l'unité de disque D » ou de « Sélectionner une unité de disque » pour le cas où vous préféreriez conserver l'image sur un disque dur externe. (Veuillez prendre note que la fonction de création d'image sur l'unité D n'est pas disponible avec toutes les configurations.)
- 6** Vous voyez apparaître une illustration graphique de la façon dont l'image sera enregistrée. Cliquez sur le bouton [Suivant].
- 7** Cliquez sur [Exécuter] pour démarrer l'enregistrement de la copie de sauvegarde.

## Gestion de vos images de sauvegarde

L'outil MyRecovery permet également de copier vos images de sauvegarde, de les archiver sur des DVD, ou de les supprimer de votre disque dur lorsqu'elles n'y sont plus utiles.

- 1 Tout d'abord, cliquez sur l'icône [MyRecovery] de votre bureau Windows.
- 2 Dans la fenêtre MyRecovery, cliquez sur [Gérer/Créer].
- 3 Lorsque vous voyez apparaître la fenêtre Gestionnaire MyRecovery, cliquez sur [Gérer les images de sauvegarde].
- 4 Vous voyez ensuite apparaître une liste de vos images de sauvegarde. Sous cette liste, trois boutons [Créer DVD], [Copier], [Supprimer] permettent de gérer les images de sauvegarde.
- 5 Sélectionnez un titre d'image dans la liste, puis cliquez sur le bouton correspondant à l'action que vous désirez exécuter.
- 6 Veuillez prendre note que le bouton [Copier] est disponible uniquement si un disque dur externe est connecté à votre système. Si vous décidez de copier une image, vous devez ensuite désigner un emplacement de destination. Lorsque vous êtes prêt à copier, cliquez sur [OK] pour continuer. Un écran de progression est affiché pendant que le système copie.
- 7 Veuillez prendre note que si vous copiez une image sur un disque dur externe, l'original et la copie sont tous deux affichés dans la fenêtre « Images de sauvegarde » avec le même nom, la même date et la même taille de fichier, mais avec une lettre d'unité de disque différente. Si vous choisissez [Créer DVD], assurez-vous d'avoir un graveur de DVD et des DVD vierges.

## Utilisation du disque de restauration et d'utilitaires

Le disque Restauration et Utilitaires contient divers outils permettant de restaurer votre image d'origine ou une image de système, ainsi que d'effacer certaines données inutiles sur votre disque dur.

### Méthodes pour accéder aux utilitaires

Les outils « Restauration et Utilitaires » sont pré-installés en usine dans une partition cachée et sont disponibles sur le disque à auto-amorçage. Veuillez prendre note que si vous modifiez la configuration des partitions de votre disque dur, vous risquez de supprimer les outils « Restauration et Utilitaires ». Dans un tel cas, vous ne pourrez plus utiliser la partition cachée pour lancer les outils « Restauration et Utilitaires », mais vous pourrez toujours amorcer le système à partir du disque d'amorçage.

## Comment déterminer si la fonctionnalité Restauration et Utilitaires est déjà installée

- 1 Allumez ou redémarrez votre système. Lorsque le logo Fujitsu apparaît, appuyez sur la touche [F12]. Le menu d'amorçage s'affiche.
- 2 Appuyez sur la touche Tab pour sélectionner le menu Applications.
- 3 Vérifiez si la fonctionnalité <Restauration et Utilitaires> est installée. Si elle n'y est pas, cela signifie que la fonctionnalité doit être utilisée à partir du disque. Si l'option <Restauration et Utilitaires> n'est pas disponible, reportez-vous à « Exécution de la fonctionnalité Restauration et Utilitaires à partir du disque d'amorçage ».

## Exécution de la fonctionnalité Restauration et Utilitaires à partir du disque dur

- 1 Allumez ou redémarrez votre système. Lorsque le logo Fujitsu apparaît, appuyez sur la touche [F12]. Le menu d'amorçage s'affiche.
- 2 Appuyez sur la touche Tab pour sélectionner le menu Applications.
- 3 Avec le curseur, allez en bas de page jusqu'à <Restauration et Utilitaires>, puis appuyez sur [Entrée].
- 4 Une barre de progression apparaîtra en bas de l'écran pendant le transfert des fichiers à partir du disque.
- 5 Lorsque la boîte de dialogue « Options de restauration du système » apparaît, choisissez une nouvelle configuration de clavier si nécessaire, puis cliquez sur [Suivant].
- 6 Lorsque la boîte de dialogue Système d'exploitation apparaît, sélectionnez « Utiliser les outils de restauration... » et cliquez sur [Suivant].
- 7 Si nécessaire, entrez votre mot de passe, puis cliquez sur [OK].
- 8 Lorsque la fenêtre « Options de restauration du système » apparaît, cliquez sur « Restauration et Utilitaires ».
- 9 L'écran « Restauration et Utilitaires » apparaît avec trois onglets : Diagnostics, Restauration et Utilitaires. Veuillez noter que l'onglet Diagnostics n'est pas pris en charge par certains modèles LIFEBOOK/STYLISTIC lorsque vous exécutez la fonction Restauration et Utilitaires à partir du disque dur. Si vous désirez restaurer le système d'exploitation, utilisez l'icône du centre « Restauration de l'image d'origine (seulement unité de disque C:) » sous l'onglet Restauration.

## Exécution de la fonctionnalité Restauration et Utilitaires à partir du disque d'amorçage

Si vous désirez vérifier/changer la priorité d'amorçage (plutôt que de démarrer à partir du disque dur ou d'un lecteur de disquette externe), exécutez les opérations suivantes :

- 1 Mettez le système sous tension. Lorsque le logo Fujitsu apparaît à l'écran, appuyez sur la touche [F12] pour aller au menu d'armorage.
- 2 Surlignez l'option **CD/DVD**.

- 3 Mettez le disque d'amorçage sur le plateau du lecteur.
- 4 Cliquez sur [OK]. Une barre de progression apparaîtra en bas de l'écran pendant le transfert des fichiers à partir du disque.
- 5 Lorsque la boîte de dialogue « Options de restauration du système » apparaît, choisissez une nouvelle configuration de clavier si nécessaire, puis cliquez sur [Suivant].
- 6 Lorsque la boîte de dialogue Système d'exploitation apparaît, cliquez sur [Suivant].
- 7 Si nécessaire, entrez votre mot de passe, puis cliquez sur [OK].
- 8 Lorsque la fenêtre « Options de restauration du système » apparaît, cliquez sur « Restauration et Utilitaires ».
- 9 Lorsque l'écran Restauration et utilitaires apparaît, trois onglets sont présents : Diagnostics, Restauration et Utilitaires.

### Onglets Restauration et Utilitaires

**Onglet Diagnostics :** L'outil de diagnostic est conçu pour être utilisé par des informaticiens professionnels. Il y a peu de chances que vous ayez besoin de l'utiliser. Lorsque vous sélectionnez des dispositifs dans la fenêtre Diagnostic et que vous cliquez ensuite sur [Exécuter], ceux-ci sont soumis à plusieurs tests.

**Onglet Restauration :** L'onglet Restauration comprend trois outils : « Restauration de copies de système configurées par l'utilisateur », « Restauration de l'image d'origine (uniquement l'unité de disque C:) » et « Restauration de l'image d'origine (restauration intégrale du disque dur) ». Vous pouvez utiliser ces outils pour restaurer l'image d'origine à partir de la partition cachée, pour restaurer une image de sauvegarde créée par vous ou des images enregistrées sur des DVD, et pour restaurer complètement votre disque dur. Si vous désirez savoir comment créer des DVD de restauration de l'image d'origine, des DVD de sauvegarde créé par l'utilisateur, et une sauvegarde de l'image de système, reportez-vous aux sections appropriées ci-dessus.

**Onglet Utilitaires :** L'onglet Utilitaires comprend trois outils : « Supprimer les données sur le disque dur », « Restaurer la fonctionnalité Restauration et Utilitaires » et « Restauration complète d'ordinateur Windows ».

- L'utilitaire **Supprimer les données sur le disque dur** permet de supprimer toutes les données sur votre disque dur et d'en empêcher leur réutilisation. **REMARQUE : N'utilisez pas l'utilitaire « Supprimer les données sur le disque dur », à moins que vous soyez absolument certain de vouloir effacer votre disque dur en entier, y compris toutes les partitions.**
- L'utilitaire « **Restaurer la fonctionnalité Restauration et Utilitaires** » permet de restaurer la première partition cachée.
- L'utilitaire « **Restauration complète d'ordinateur Windows** » permet de restaurer une image créée avec le Centre de restauration et de sauvegarde Windows. L'utilitaire Restauration complète de l'ordinateur efface et réécrit toutes les données se trouvant sur le disque dur.

## Restauration de l'image d'origine avec la fonctionnalité Restauration et Utilitaires (à partir d'un nouveau disque dur ou d'un disque dur sans auto-amorçage)

Si vous avez installé un nouveau disque dur ou si votre disque dur n'a pas de fonction d'auto-amorçage, exécutez les opérations suivantes. Veuillez prendre note que vous devez d'abord créer de nouvelles partitions sur le disque dur, puis restaurer l'image d'origine.

- 1 Mettez le système sous tension. Lorsque le logo Fujitsu apparaît à l'écran, appuyez sur la touche [F12].
- 2 Surlignez l'option **CD/DVD**.
- 3 Insérez le disque amorçable dans le lecteur de DVD, puis cliquez sur [OK].
- 4 Lorsque la fenêtre Options de restauration du système apparaît, cliquez sur <Restauration et Utilitaires>.
- 5 Lorsque la boîte de dialogue « Options de restauration du système » apparaît, choisissez une nouvelle configuration de clavier si nécessaire, puis cliquez sur [Suivant].
- 6 Lorsque la boîte de dialogue Système d'exploitation apparaît, cliquez sur [Suivant].
- 7 Si nécessaire, entrez votre mot de passe, puis cliquez sur [OK].
- 8 Lorsque la fenêtre « Options de restauration du système » apparaît, cliquez sur « Restauration et Utilitaires ».
- 9 Dans la fenêtre Restauration et Utilitaires, cliquez sur l'onglet Restauration puis sélectionnez l'icône *Restauration de l'image d'origine*.
- 10 Cliquez sur [Exécuter].
- 11 Lisez l'avis et cliquez sur « J'accepte ».
- 12 Cliquez sur [Suivant], puis sur [Exécuter] pour démarrer le processus de restauration.
- 13 1. La mention « Vérification du disque de restauration » s'affichera en caractères gras et le reste sera grisé. Suivez les consignes et « Insérez le disque de restauration N° 1 ». Dans certains cas, vous pouvez être invité à « Insérer le disque de restauration N° 2 », selon la taille de l'image de restauration.
- 14 Cliquez sur [Suivant] pour démarrer la vérification. Cliquez sur [Suivant] à nouveau lorsque la vérification est terminée.
- 15 2. La mention « Initialisation du disque dur » s'affichera en gras avec le message « Veuillez insérer le disque amorçable dans le lecteur optique ». Insérez le disque amorçable. Cliquez sur [Suivant] pour continuer. Une boîte de dialogue s'affiche, avec un message de vérification de disque.
- 16 Le message « Attention ! Toutes les données du disque dur seront complètement effacées ! » apparaîtra. Sélectionnez [OK]. Le processus de création de partition démarrera.
- 17 3. La mention « Restauration de l'image d'origine dans une partition cachée » est affichée en gras avec le message « Veuillez insérer le disque de restauration N° 1 dans le lecteur optique ». Cliquez sur [Suivant] pour continuer.

À la fin du processus, l'outil retournera automatiquement à « 3. Restauration de l'image d'origine dans une partition cachée » et affichera le message suivant : « Veuillez insérer votre disque d'applications tierces ou le DVD CyberLink, puis cliquez sur [OK]. Insérez chaque disque l'un après l'autre jusqu'à les avoir tous installés. Si vous n'avez pas de disque d'applications tierces ni de DVD CyberLink ou si vous avez déjà inséré tous ces disques, cliquez sur [Sauter] pour continuer. REMARQUE : Certains produits (notamment ceux n'ayant pas de lecteur optique) sont livrés sans DVD CyberLink. »

Vous avez alors deux choix :

- Insérer un ou plusieurs disques d'applications pour restaurer la partition cachée, ou
  - Cliquer sur [Sauter] pour sauter la restauration du ou des disques d'applications et poursuivre le processus de restauration.
- 18** Si vous sélectionnez d'insérer un disque d'application, le même message apparaîtra de nouveau chaque fois qu'un disque d'applications aura été copié dans la partition cachée. Insérez au besoin de nouveaux disques d'applications jusqu'à ce que tous les disques aient été copiés, puis cliquez sur [Sauter] pour continuer le processus de restauration.
- 19** Lorsque vous avez cliqué sur [Sauter], le message de confirmation suivant apparaît : « Si vous désirez sauter l'opération de copie ou si vous avez terminé de copier, cliquez sur [OK]. Cliquez sur [Annuler] si vous désirez retourner à Restauration de l'image d'origine sur une partition cachée. »
- 20** Cliquez sur [OK] et le processus de restauration de l'image d'origine commencera.
- 21** À la fin de la restauration, vous verrez le message « La restauration a été effectuée. Cliquez sur [OK] pour redémarrer l'ordinateur ». Cliquez sur [OK].

### Téléchargement des mises à jour de pilotes

Pour vous assurer de toujours disposer des versions les plus actuelles des pilotes de votre système, il vous est suggéré d'utiliser périodiquement l'utilitaire de mise à jour Fujitsu Software Download Manager (FSDM). L'utilitaire FSDM est disponible sur le site d'assistance Fujitsu. L'utilitaire FSDM permet de voir une liste de la plus récente version de plusieurs pilotes, utilitaires et applications, afin que vous puissiez déterminer si vous possédez ces plus récentes versions. Si vous avez un système d'exploitation Windows 7, vous devez aller sur le site d'assistance pour y télécharger l'utilitaire FSDM : <http://support.fujitsupc.com/CS/Portal/support.do?srch=DOWNLOADS>.

## Chapitre 5

# Entretien

### Entretien de votre ordinateur portable LIFEBOOK

Si vous prenez soin de votre ordinateur portable LIFEBOOK Fujitsu, vous augmenterez sa durée de vie et sa fiabilité. Cette section fournit certains conseils relatifs à l'entretien de votre ordinateur portable et de ses dispositifs.

- N'ENLEVEZ AUCUNE VIS DU COMPARTIMENT DU MODULE DE MÉMOIRE ADDITIONNELLE À L'EXCEPTION DE CELLES SPÉCIFIQUEMENT INDIQUÉES DANS LES DIRECTIVES D'INSTALLATION ET DE RETRAIT CORRESPONDANTES.
- LE MODULE DE MÉMOIRE ADDITIONNELLE PEUT ÊTRE FORTEMENT ENDOMMAGÉ PAR UNE DÉCHARGE ÉLECTROSTATIQUE (DES). POUR MINIMISER CE RISQUE, VEUILLEZ PRENDRE LES PRÉCAUTIONS SUIVANTES :
  - AVANT DE MANIPULER UN MODULE DE MÉMOIRE, TOUCHEZ UN OBJET MÉTALLIQUE MIS À LA TERRE POUR DÉCHARGER L'ÉLECTRICITÉ STATIQUE QUI S'EST ACCUMULÉE DANS VOTRE CORPS.
  - LORSQUE VOUS INSTALLEZ OU RETIREZ UN MODULE DE MÉMOIRE, TENEZ-LE PAR LE BORD DE FAÇON À NE TOUCHER AUCUN CONTACT NI AUCUNE PUCE. ASSUREZ-VOUS DE NE TOUCHER AUCUNE BORNE DE CONNEXION NI AUCUN COMPOSANT INTERNE DE L'ORDINATEUR. LA PEAU DÉGAGE UNE SUBSTANCE HUILEUSE QUI POURRAIT CAUSER UN COURT-CIRCUIT AUX COMPOSANTS.
  - ASSUREZ-VOUS DE METTRE VOTRE SYSTÈME HORS TENSION AVANT D'AJOUTER OU DE RETIRER DES MODULES DE MÉMOIRE. MÊME SI LE SYSTÈME EST EN SOMMEIL OU EN VEILLE PROLONGÉE, DES DONNÉES RISQUENT D'ÊTRE PERDUES ET LA MÉMOIRE POURRAIT ÊTRE ENDOMMAGÉE SI LE COURANT QUI ALIMENTE LE SYSTÈME N'EST PAS COUPÉ.



- Votre ordinateur portable LIFEBOOK est durable, mais c'est un appareil électronique sensible. Traitez-le avec respect et précaution.
- Prenez l'habitude de transporter votre ordinateur dans une valise adéquate.



- N'essayez pas de réparer l'ordinateur vous-même. Suivez toujours les instructions d'installation à la lettre.
- Gardez-le loin de la nourriture et des boissons.
- Pour protéger votre ordinateur des dommages et optimiser ses performances, **gardez toujours les grilles de ventilation dégagées, propres et sans débris**. Il est possible que vous deviez les nettoyer périodiquement, selon l'environnement dans lequel vous utilisez l'ordinateur.
- Ne placez pas l'ordinateur dans un endroit où les grilles de ventilation pourraient être obstruées, notamment dans un petit espace fermé ou sur une surface molle comme un lit ou un coussin.
- Si vous renversez par accident un liquide sur votre ordinateur portable LIFEBOOK :
  - 1 Éteignez-le.
  - 2 Positionnez-le de sorte que le liquide puisse sortir.
  - 3 Laissez-le sécher pendant 24 heures, ou plus si nécessaire.
  - 4 S'il ne démarre pas une fois sec, contactez le service d'assistance.
- N'utilisez pas votre ordinateur portable LIFEBOOK Fujitsu dans un environnement très humide (à proximité d'une baignoire, d'une piscine).
- Utilisez toujours l'adaptateur secteur d'origine et des piles homologuées pour votre ordinateur portable.
- Évitez d'exposer l'ordinateur au sable, à la poussière et à d'autres matières.
- N'exposez pas votre ordinateur portable à la lumière directe du soleil pendant de longues périodes, car les températures de plus de 140 °F (60 °C) pourraient l'endommager.
- Gardez les caches des connecteurs et des fentes fermés lorsque ceux-ci ne sont pas en utilisation.
- Ne déposez pas d'objets lourds ou tranchants sur l'ordinateur.
- Si vous transportez votre LIFEBOOK dans un porte-documents, ou toute autre mallette, assurez-vous qu'aucun objet dans l'étui n'appuie sur le couvercle.
- Ne placez jamais votre ordinateur portable de façon à ce que le lecteur optique supporte le poids du portable.

### **Nettoyage de votre ordinateur portable LIFEBOOK**

- Débranchez toujours la prise électrique (tirez la fiche, pas le cordon).
- Nettoyez votre ordinateur avec un chiffon humide, non pelucheux. N'utilisez pas de solvant ou d'abrasif.
- Utilisez un tissu doux pour enlever la poussière de l'écran. N'utilisez jamais de liquide lave-vitre.
- Avant de nettoyer ou de désinfecter l'extérieur de votre ordinateur, le clavier ou l'écran ACL, prenez garde à toujours éteindre le système, à débrancher l'adaptateur secteur et à retirer la batterie.

## Suivez les procédures de nettoyage en utilisant des produits nettoyants recommandés disponibles dans le commerce.

### Extérieur et clavier de l'ordinateur

Pour nettoyer l'extérieur et le clavier, utilisez l'un des nettoyants suivants :

- Kit de nettoyage pour ordinateur portable Office Depot® N° 154-616
- Lingettes Meridrew Enterprises Klear\_Screen®
- Lingettes de nettoyage 3M CL563

Remarque : Après avoir nettoyé votre système avec l'un de ces produits, faites-le reluire et retirez les traces de produit à l'aide d'un tissu doux non-pelucheux.

### Écran ACL

Pour nettoyer l'écran, utilisez l'un des nettoyants suivants :

- Kit de nettoyage pour ordinateur portable Office Depot® N° 154-616
- Lingettes Meridrew Enterprises Klear\_Screen®

Nettoyez l'écran doucement et laissez-le sécher avant d'allumer votre ordinateur.

## Désinfection des ordinateurs LIFEBOOK

Nettoyez la surface de l'ordinateur à l'aide d'un tissu doux imbibé d'une solution d'éthanol à 50% ou d'un autre germicide à base d'éthanol homologué par l'EPA (« Environment Protection Agency », ou Agence américaine de protection de l'environnement) en tant que désinfectant hospitalier.



- SI VOUS N'UTILISEZ PAS LES BONS PRODUITS, L'AFFICHAGE DE L'ÉCRAN ACL OU L'ORDINATEUR LUI-MÊME PEUT EN ÊTRE ENDOMMAGÉ. POUR SAVOIR COMMENT UTILISER ET MANIPULER CONVENABLEMENT LES PRODUITS NETTOYANTS, PRENEZ GARDE À TOUJOURS CONSULTER LES PROCÉDURES DE NETTOYAGE DU FABRICANT, AINSI QUE LES FICHES TECHNIQUES DE SÉCURITÉ.
- N'UTILISEZ JAMAIS DE NETTOYANTS À BASE ALCALINE, D'AMMONIAQUE, D'ACIDE, OU DE PRODUITS CHIMIQUES BIOLOGIQUES TELS QUE DISSOLVANTS POUR PEINTURE, ACÉTONE, ALCOOL PROPYLIQUE OU ISOPROPYLIQUE OU PÉTROLE. LA FINITION DES SURFACES DE L'ORDINATEUR ET LA PELLICULE DE PROTECTION DE L'ÉCRAN ACL POURRAIENT EN ÊTRE ENDOMMAGÉES.
- N'UTILISEZ JAMAIS D'AIR COMPRIMÉ POUR NETTOYER VOTRE ORDINATEUR LIFEBOOK.

## Nettoyage du filtre anti-poussière

Votre LIFEBOOK est équipé de ventilateurs qui attirent l'air à l'intérieur pour refroidir les composants internes de l'ordinateur. Selon l'environnement d'utilisation, de la poussière et de la saleté peuvent pénétrer avec l'air. Si elles s'accumulent, elles peuvent nuire au bon fonctionnement du système.



- **RETIRER L'ADAPTATEUR SECTEUR :** AVANT DE NETTOYER LE FILTRE, ÉTEIGNEZ LE SYSTÈME AINSI QUE LES PÉRIPHÉRIQUES, ET DÉBRANCHEZ L'ADAPTATEUR SECTEUR.
- **NETTOYAGE DU FILTRE :**
  - N'UTILISEZ PAS DE DÉTERGENT
  - ÉVITEZ D'ENDOMMAGER LE FILTRE, LES DÉGÂTS CAUSÉS À CE COMPOSANT NE SONT PAS COUVERTS PAR LA GARANTIE.
  - NETTOYEZ LE FILTRE AVEC UN EMBOUT D'ASPIRATEUR ÉQUIPÉ D'UN MANCHE. LES OUTILS EN MÉTAL OU EN BOIS RISQUENT DE L'ENDOMMAGER.
- **DES :** AVANT DE NETTOYER LE FILTRE, TOUCHEZ UN OBJET EN MÉTAL AFIN D'ÉVACUER L'ÉLECTRICITÉ STATIQUE QUI S'EST ACCUMULÉE DANS VOTRE CORPS.

Pour enlever le couvercle du filtre anti-poussière :

- 1 Éteignez l'ordinateur et débranchez l'adaptateur c.a.
- 2 Fermez l'écran et tournez l'ordinateur à l'envers.
- 3 Retirez le volet d'accès au filtre en poussant le loquet vers le centre du volet, puis soulevez-le et tirez-le vers l'extérieur (figure 39).
- 4 Nettoyez le filtre à poussière et le conduit d'air de refroidissement à l'aide d'un embout d'aspirateur doté d'un manche (tige de prolongation, par exemple).

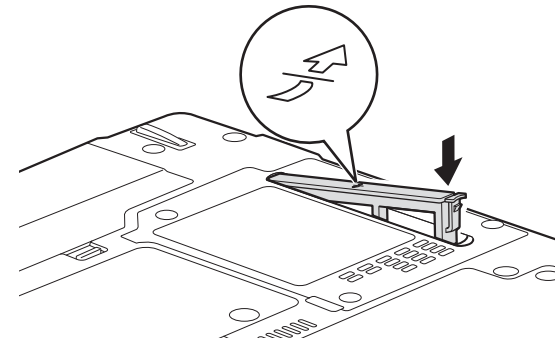
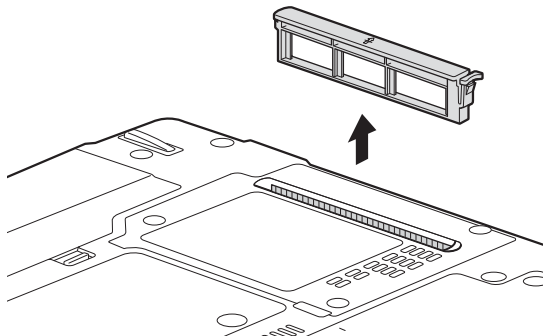
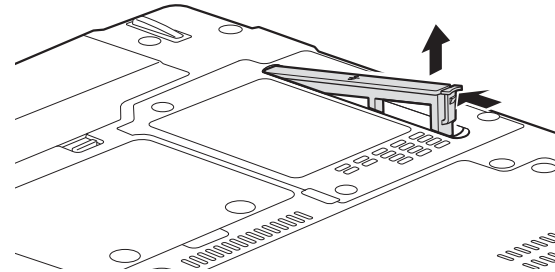


Figure 39. Retrait/installation du couvercle du filtre anti-poussière

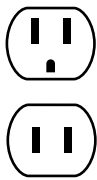
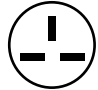


## **Rangement de votre ordinateur portable LIFEBOOK**

- Si vous entreposez votre LIFEBOOK durant un mois ou plus, éteignez-le, chargez complètement les batteries au lithium, puis enlevez-les.
- Rangez votre ordinateur portable et les batteries séparément. Si vous rangez votre ordinateur portable alors que la batterie est installée, la batterie se déchargera et sa durée de vie sera réduite. De plus, une batterie défectueuse pourrait endommager votre ordinateur.
- Rangez votre LIFEBOOK dans un endroit frais et sec. Les températures doivent être maintenues entre -15°C et 60°C (5°F et 140°F).

## **Voyager avec votre ordinateur portable LIFEBOOK**

- Ne transportez pas votre ordinateur portable pendant qu'il est en marche.
- Il est recommandé de transporter votre ordinateur portable en cabine au lieu de l'enregistrer comme bagage.
- Lorsque vous partez en voyage, apportez toujours avec vous le CD de remise en état du système fourni avec votre ordinateur portable. Si vous éprouvez des problèmes de logiciel d'exploitation pendant votre voyage, vous pourriez en avoir besoin pour trouver la solution au problème.
- Ne faites jamais passer votre ordinateur portable au détecteur de métal. Faites inspecter votre ordinateur portable manuellement par le personnel de sécurité. Toutefois, vous pouvez faire passer votre portable sur un appareil à rayon X syntonisé. Pour éviter les problèmes, placez votre ordinateur portable à proximité de l'entrée de l'appareil et retirez-le aussitôt que possible ou faites inspecter votre ordinateur portable manuellement par le personnel de sécurité. Les responsables de la sécurité pourraient vous demander de mettre votre ordinateur portable en marche. Assurez-vous d'avoir une batterie chargée.

- Apportez avec vous les adaptateurs de fiches nécessaires lorsque vous voyagez outre-mer. Vérifiez le diagramme suivant pour déterminer quel adaptateur de fiche vous serait nécessaire ou renseignez-vous auprès de votre agent de voyage.

Type de prise			Emplacement
	<p>États-Unis, Canada, Mexique, certains pays d'Amérique latine, Japon, Corée, Philippines, Taïwan</p>		<p>Royaume-Uni, Irlande, Malaisie, Singapour, certains pays d'Afrique</p>
	<p>Russie et Communauté des États indépendants (CEI), la majeure partie de l'Europe, certains pays d'Amérique Latine, Moyen-Orient, certains pays d'Afrique, Hong Kong, Inde, la plupart des pays de l'Asie du Sud</p>		<p>Chine, Australie, Nouvelle-Zélande</p>

## Batteries

### Entretien de vos batteries

- Manipulez toujours les batteries avec soin.
- Ne court-circuitez pas les terminaux des batteries (c'est à dire, ne touchez pas les deux terminaux avec des objets métalliques). Ne transportez pas des batteries dans votre poche ou sac à main où elles pourraient entrer en contact avec de la monnaie, des clés ou d'autres objets métalliques. Cela pourrait causer une explosion ou un incendie.
- Il ne faut jamais laisser tomber, percer, désassembler, abîmer ou incinérer une batterie.
- Rechargez les batteries uniquement selon les instructions de ce manuel et seulement dans des endroits aérés.
- Ne laissez pas les batteries dans des endroits chauds pendant plus d'une journée ou deux. Les grandes chaleurs risquent de raccourcir la durée de vie de votre batterie.
- Ne rangez pas la batterie pendant plus de 6 mois sans la recharger.

## Augmenter la durée de vie des batteries

- Alimentez votre ordinateur portable LIFEBOOK avec l'adaptateur secteur ou l'adaptateur d'auto/avion optionnel chaque fois que vous le pouvez.
- Si votre ordinateur portable fonctionne sur l'alimentation par batterie pendant tout une journée, branchez-le sur l'adaptateur secteur durant la nuit pour recharger la batterie.
- Gardez la luminosité au niveau le plus bas possible.
- Réglez la gestion de la consommation d'énergie pour une durée de vie maximale de la batterie.
- Mettez votre ordinateur portable en mode sommeil lorsqu'il est en marche et que vous n'êtes pas en train de l'utiliser.
- Limitez votre accès au lecteur multimédia.
- Désactivez la fonction d'avis automatique d'insertion de votre lecteur
- Utilisez toujours des batteries chargées complètement.
- Éjectez les cartes ExpressCard lorsqu'elles ne sont pas utilisées.

## Entretien de votre lecteur multimédia

### Entretien de vos disques optiques

Les disques multimédias sont des dispositifs précis qui fonctionneront de manière fiable si vous en prenez bien soin.

- Rangez toujours vos disques multimédias dans leurs étuis lorsqu'ils ne sont pas utilisés.
- Tenez toujours les disques par les bords et évitez d'en toucher la surface.
- Évitez de ranger les disques multimédias dans des endroits où les températures sont extrêmes.
- Ne courbez pas les disques multimédias et ne déposez pas d'objets lourds par dessus.
- Ne renversez pas de liquide sur les disques multimédias.
- N'égratignez pas les disques multimédias.
- Ne laissez pas la poussière s'accumuler sur les disques multimédias.
- N'écrivez jamais sur la surface de l'étiquette avec un stylo à bille ou un crayon. Utilisez toujours un crayon-feutre.
- Si un disque multimédia subit un changement soudain de température, une condensation froid/chaud pourrait se former sur la surface. Essuyez l'humidité avec un chiffon doux, propre et non pelucheux, puis laissez le disque sécher à température ambiante. N'UTILISEZ PAS de sèche-cheveux ou d'autre appareil chauffant pour sécher les disques multimédia.
- Si un disque est sale, utilisez seulement un nettoyeur à disque ou essuyez-le avec un chiffon doux, propre et non pelucheux en commençant par le bord intérieur et essuyant vers le bord extérieur.

## **Entretien du lecteur optique**

Votre lecteur optique est durable, mais vous devez en prendre soin. Veuillez faire attention aux points suivants :

- Le lecteur fait pivoter le disque compact à une vitesse très élevée. Lorsqu'il fonctionne, ne le transportez pas d'un endroit à un autre, et évitez qu'il subisse un choc ou des vibrations.
- Évitez d'utiliser ou de ranger le lecteur dans un endroit où il serait exposé à des températures extrêmes.
- Évitez d'utiliser ou de ranger le lecteur dans un endroit humide ou poussiéreux.
- Évitez d'utiliser ou de ranger le lecteur à proximité d'aimants ou de dispositifs qui génèrent de forts champs magnétiques.
- N'utilisez pas et ne rangez pas le lecteur dans des endroits exposés à des chocs ou à des vibrations.
- Ne désassemblez pas ou ne démontez pas le lecteur optique.
- L'usage d'un nettoyant spécial pour lentilles est recommandé pour l'entretien régulier du lecteur.

## **Entretien de vos cartes**

Les cartes ExpressCard sont durables, mais vous devez en prendre soin. La documentation fournie avec votre carte vous donnera des renseignements spécifiques, mais vous devriez aussi faire attention aux points suivants :

- Pour les protéger de la poussière et de la saleté, rangez vos cartes dans leurs étuis de protection lorsqu'elles ne sont pas installées sur votre ordinateur portable LIFEBOOK.
- Évitez toute exposition prolongée aux rayons du soleil ou à une chaleur excessive.
- Gardez les cartes au sec.
- Ne fléchissez pas ou ne courbez pas les cartes et n'y placez pas d'objet lourd.
- Ne faites pas entrer par force une carte dans une fente.
- Évitez de faire tomber les cartes ou de les exposer à des vibrations excessives.

## Chapitre 6

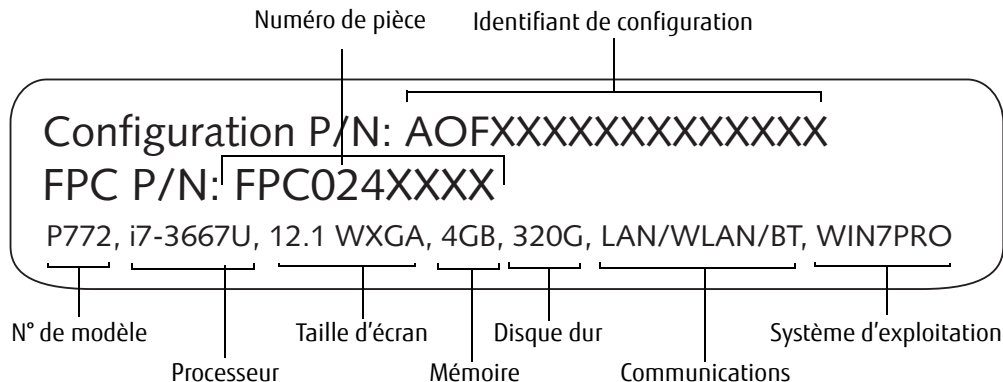
# Spécifications techniques

## Spécifications

Cette partie présente les spécifications techniques du matériel et de l'environnement de votre ordinateur portable LIFEBOOK. Selon les configurations, les spécifications techniques peuvent varier.

## Étiquette de configuration

L'étiquette de configuration qui est située sur le dessous de votre ordinateur portable comporte des informations spécifiques à propos des options que vous avez choisies pour votre ordinateur. Voici un exemple d'étiquette de configuration :





## Microprocesseur

Processeur Intel® Core™ 3ème génération (Consulter l'étiquette de configuration afin de déterminer la vitesse de votre processeur).

## Puce

- Puces Intel QM77 Express

## Mémoire

### Mémoire système

- Module mémoire vive à double canal SDRAM DDR3-1600 MHz
- Deux fentes mémoire DIMM : pouvant accepter une mise à niveau jusqu'à 16 Go de mémoire totale (8 Go x 2)

### Mémoire cache

- Cache L1 : 32 KB x 2
- Cache L2 : 256 KB x 2
- Cache L3 : Mémoire cache intégrée pouvant atteindre 4 Mo, selon l'UC du système

## Vidéo

Écran ACL couleur plat WXGA intégré, avec possibilité d'affichage simultané sur deux moniteurs

### Couleur et résolution Vidéo

#### Écran WXGA 12,1 po :

- Interne : résolution de 1280 x 800 pixels
- Externe : Résolution 1920 x 1200 pixels, 16 mln couleurs
- En simultané : Résolution 1280 x 800 pixels, 16 mln couleurs

### Mémoire vive vidéo

Contrôleur graphique Intel® HD 4000 partagé. L'architecture UMA (Unified Memory Architecture) est intégrée à la carte mère, afin qu'une partie de la mémoire principale soit partagée pour la mémoire vidéo. Le volume de mémoire vidéo partagée dépend de la capacité de mémoire du système.

## Audio

- Codec Realtek ALC269 VB6 avec système audio haute définition (HD) à deux canaux.
- **Écouteurs** : Écouteurs stéréo/sortie audio, 3,5mm, 1 V<sub>rms</sub> ou moins, impédance minimale 32 ohms
- **Microphone** : Prise de microphone mono, 3,5mm, 100mV crête-à-crête ou moins, impédance minimale de 10Kohms
- Deux hauts-parleurs stéréo intégrés, 20 mm de diamètre

## Options de mémoire de masse

### Disque dur

- Tampon ATA de série, 300 Mbit/s ; 2,5 po ; 7 mm / 9,5 mm
- Selon votre configuration, les lecteurs optiques suivants sont fournis :
  - 5 400 tour/min : 320 GB ou 500 GB
  - 7200 tour/min : 320 GB ou 500 GB
  - SSD : 128 Go ou 256 Go

## Périphériques de baie modulaire

Selon la configuration de votre système, un des lecteurs suivants est installé :

- Graveur de DVD multiformat double couche
- Lecteur de DVD-ROM
- Lecteur Blu-ray XL
- Projecteur modulaire
- Batterie de baie modulaire
- Volet réducteur de poids

## Caractéristiques techniques

### Dispositif de pointage intégré

- Dispositif TouchPad avec bouton de défilement ou capteur d'empreintes digitales en option

## Communications

- **Réseau local Gigabit :** Carte réseau local interne filaire Intel® 82579 10/100/1000 Gigabit Ethernet

## Dispositifs sans fil :

- Carte intégrée Intel® Centrino® Advanced-N 6205 (802.11agn 2x2), ou Carte intégrée Intel® Centrino® Wireless-N 2200 (802.11bgn 2x2)
- Bluetooth 4.0 en option pour communications personnelles sur réseau local sans fil, en option

## WebCam en option

Caméra Web numérique optionnelle à très haute définition (1920 x 1080 pixels)

## Puce Trusted Platform Module (TPM)

Le LIFEBOOK P772 est pourvu d'une puce Trusted Platform Module (TPM), installée pour plus de sécurité sur le système.

## Verrouillage antivol

Fente pouvant être utilisée pour installer un dispositif antivol.

## Ports de périphériques

### Sur le portable LifeBook :

- Fente ExpressCard pour cartes Expresscard der 34 mm ou 54 mm ExpressCard, OU, une fente dédiée pour cartes Smart Card (nécessite une application tierce)
- Fente pour carte Secure Digital (SD)
- Connecteur D-SUB 15 broches pour moniteur VGA externe
- Deux connecteurs USB 3.0 (dont un avec capacité de charge USB en tout temps)
- Un connecteur USB 2.0 (Universal Serial Bus)
- Une prise d'entrée c.c.
- Un port HDMI ou DisplayPort, selon la configuration du système.
- Un connecteur de réseau local (RJ-45)
- Port de connexion (à 144 broches pour assurer la connexion avec le duplicateur de ports)
- Une prise d'écouteurs stéréo ou une prise de sortie/écouteurs stéréo, selon la configuration du système.
- Une prise de microphone mono ou une prise d'entrée de ligne/microphone stéréo, selon la configuration du système

## Sur le duplicateur de ports en option :

- Connecteur D-SUB 15 broches pour moniteur VGA externe
- Quatre connecteurs USB 2.0 pour périphériques d'entrée/sortie
- Un port e-SATA
- Un connecteur de réseau local (RJ-45)
- Une entrée c.c.
- Un port d'affichage
- Un port numérique vidéo (DVI-D) à 24 broches, interface femelle
- Un bouton alimentation/veille/reprise avec voyant à DEL

## Clavier

Clavier intégré avec toutes les fonctions de claviers compatibles PS/2 de 101 touches.

- Nombre total de touches : 84
- Touches de fonction : De F1 à F12
- Touches supplémentaires : Fn
- Deux touches Windows : Une touche Démarrage, une touche Applications
- Pas de touche : 198 mm
- Amplitude de frappe : 2 mm
- Dispositif de pointage Touchpad intégré avec boutons gauche et droit ainsi qu'un bouton de défilement (ou capteur d'empreintes digitales en option).
- Repose-main intégré

## Prise en charge de clavier et de souris externes

Compatible USB

## Gestion de l'alimentation

### Batteries

- Batterie rechargeable standard au lithium, 6 accumulateurs, 63 mAh, ou Batterie rechargeable au lithium optionnelle, 6 accumulateurs, 72 Wh
- Batterie modulaire en option : Batterie rechargeable standard au lithium, 3 accumulateurs, 28 Wh

### Adaptateur secteur

Système : Auto-détection 100-240 V c. a., fournissant 19 V c.c. ; 3,42 A ; 65 W, y compris un câble c.a.

Duplicateur de ports : Auto-détection 100-240 V c.a., fournissant 19 V c.c.; 4,22 A ; 80 W

### Gestion de l'alimentation

Conforme à la norme ACPI (Advanced Configuration and Power Interface, ou Interface avancée de configuration et de gestion de l'énergie)

## Dimensions et poids

### Dimensions générales

Environ 282 mm de largeur x 215 mm de profondeur x 29,9 mm d'épaisseur (11.1 po x 8.46 po x 1.18 po)

### Poids

Environ 1,42 kg (3,13 lb) avec batterie mais sans lecteur optique

## Environnement requis

### Température

Utilisation : 5°C à 35°C (41°F à 95°F) ; Stockage : 5° F à 140° F (-15° C à 60° C)

### Humidité

Utilisation : 20 % à 85 % d'humidité relative, sans condensation ; Stockage : 8 % à 85 % d'humidité relative, sans condensation

### Altitude

Utilisation : 3 048 m (10 000 pieds) maximum

## Accessoires préférés des utilisateurs

Pour commander des accessoires ou demander des informations supplémentaires, veuillez visiter notre site Internet à [www.shopfujitsu.com](http://www.shopfujitsu.com) ou appelez au 1-800-FUJITSU.

## Logiciels pré-installés

Selon votre système d'exploitation préinstallé, votre ordinateur est livré avec des logiciels inclus afin de vous permettre d'écouter des fichiers audio et de visionner des fichiers vidéo de divers formats. De même, l'ordinateur portable est fourni avec des logiciels de transfert de fichiers, de protection contre les virus et de gestion de l'alimentation. La liste suivante indique les logiciels fournis avec votre système.

- Adobe Reader
- Norton Internet Security™ (essai gratuit de 60 jours)
- Roxio Easy Media Creator
- CyberLink PowerDirector
- CyberLink Makedisc
- CyberLink PowerDVD
- CyberLink YouCam
- Google Tool Bar
- DTS® Boost™
- OmniPass (application de reconnaissance des empreintes digitales)
- Microsoft Windows Live Essentials
- Microsoft Office Starter 2010

## Apprendre à utiliser vos logiciels

### Tutoriaux

Tous les systèmes d'exploitation et la plupart des logiciels d'application ont des didacticiels intégrés dès leur installation. Nous vous recommandons vivement de passer en revue le tutorial avant d'utiliser une application.

### Manuels

Sont compris dans votre portable, les guides d'utilisation pour votre système d'exploitation et les autres applications préinstallées. Tous les guides d'utilisation non présents sont disponibles en ligne par l'intermédiaire du système d'aide du logiciel. Nous vous recommandons de passer en revue ces guides d'utilisation pour obtenir des informations générales sur l'utilisation des logiciels.

### Adobe Reader

Adobe Reader vous permet de visualiser, de naviguer et d'imprimer des fichiers « pdf » à partir des principales plates-formes informatiques.

### Norton Internet Security

Votre système est livré avec la version d'essai de 60 jours de Norton Internet Security™ de Symantec. La gamme d'outils Norton Internet Security est conçue pour protéger votre ordinateur portable LifeBook contre les virus, les pirates, les espions et les pourriels. Il aide à la protection des données actuellement sur votre disque dur contre toute infection ou destruction. La version d'essai est activée après acceptation du contrat de licence du logiciel. Après 60 jours, vous devrez vous procurer un abonnement auprès de Symantec pour pouvoir télécharger les signatures de virus, de logiciels espions et de pourriel les plus récentes.

### Roxio Easy Media Creator

Easy Media Creator vous permet de graver facilement des CD ainsi que d'organiser, d'éditer et de partager des photos numériques, de la musique, des données, et des vidéos.

### CyberLink Makedisc

CyberLink MakeDisc vous permet de graver vos vidéos, présentations et programmes TV sur des disques, et de sauvegarder des fichiers de données sur des CD ou des DVD.

### CyberLink YouCam

La webcam intégrée CyberLink YouCam vous permet de prendre des photos ou des films, d'y ajouter des effets spéciaux, et de les partager sous divers formats ou par l'intermédiaire de réseaux sociaux.

## **CyberLink PowerDVD**

CyberLink PowerDVD vous permet de lire des DVD sur votre ordinateur.

## **CyberLink PowerDirector**

CyberLink PowerDirector vous permet d'éditer et d'améliorer vos vidéos en les agrémentant notamment d'effets spéciaux.

## **Barre d'outils Google**

La barre d'outils Google vous permet de faire des recherches rapides sur Internet, de bloquer les fenêtres et de réaliser une gamme variée de tâches pour rendre votre utilisation d'Internet plus facile et plus plaisante.

## **DTS® Boost™**

DTS Boost maximise la puissance acoustique au delà des limites de volume de l'ordinateur, permettant à l'utilisateur de créer une piste maîtresse plus riche ou plus puissante en limitant la plage dynamique et en augmentant la puissance globale perçue du mélange.

## **OmniPass (application de reconnaissance des empreintes digitales)**

Le capteur d'empreintes digitales utilise le logiciel Softex OmniPass qui fournit des fonctions de gestion de mot de passe aux systèmes d'exploitation Microsoft Windows. OmniPass vous permet d'utiliser un « mot de passe principal, ou maître » pour toutes les applications Windows et mots de passe en ligne, avec une interface d'utilisateur conviviale permettant de gérer en toute sécurité les mots de passe, les utilisateurs et les identités multiples pour chaque utilisateur.

## **Microsoft Windows Live Essentials**

Windows Live Essentials est une suite de programmes vous permettant d'utiliser votre LIFEBOOK avec plus d'aisance et de plaisir. Live Essentials comprend six applications Live : Messenger, Photo Gallery, Writer, Mail, Movie Maker et Silverlight. Messenger vous permet de communiquer et d'échanger rapidement avec des personnes ou des groupes. Photo Gallery est une application souple d'utilisation vous permettant d'organiser, de modifier et de partager vos photos. Writer vous permet de publier des textes sur votre blog, d'y télécharger des vidéos et des photos, et en général de publier des textes en ligne. Mail vous permet de gérer votre messagerie. Movie Maker vous permet de créer des films et des diaporamas de très bonne qualité à partir de vos vidéos et photos. L'importation de vidéos et photos haute définition ou standard est très simple, et l'ajout d'animations, de musique et de titres ne prendra que quelques minutes grâce à AutoMovie. Quant à Silverlight, cette application rendra votre expérience encore plus passionnante grâce au partage de fichiers vidéo de grande qualité sur Internet et sur appareils mobiles.



## **Microsoft Office Starter 2010**

Microsoft Office Starter 2010 est une suite de logiciels contenant les outils de base pour écrire des lettres et des rapports, garder le contact avec la famille et les amis, gérer les finances familiales et créer un inventaire familial.

L'édition 2010 de Microsoft Office Starter contient Office Word Starter 2010 pour la rédaction, la modification et la consultation de documents, et Office Excel Starter 2010 pour la création et la consultation de tableurs. Office Starter Édition 2010 contient également les versions complètes des éditions Famille et Étudiant 2010, Famille et Entreprise 2010, ainsi que l'édition Professionnelle 2010. Vous pouvez accéder à n'importe laquelle de ces éditions en achetant une Carte de clé produit.

## **Système d'exploitation**

Microsoft Windows 7 Édition Professionnelle



# Glossaire

---

## **ACL.**

Affichage à cristaux liquides. Type d'écran produisant des images par contrôle de l'orientation de cristaux dans un liquide cristallin.

## **ACPI (Advanced Configuration and Power Interface).**

Interface avancée de configuration et de gestion de l'énergie.

## **Adaptateur auto/avion.**

Un dispositif qui convertit le courant continu d'un allume-cigare de voiture ou une prise c.c. d'avion en courant continu à l'intensité voulue pour alimenter votre portable LIFEBOOK.

## **Adaptateur secteur.**

Appareil convertissant une tension c.a. provenant d'une prise murale en un courant c.c. nécessaire à l'alimentation de votre ordinateur portable LIFEBOOK.

## **Adresse IP.**

Un identifiant pour un ordinateur ou un périphérique sur un réseau TCP/IP. Les réseaux qui utilisent le protocole TCP/IP acheminent des messages en fonction de l'adresse IP de la destination. Le format d'une adresse IP est une adresse numérique de 32 bits qui s'écrit avec quatre nombres séparés par des points. Chaque nombre peut être une valeur de 0 à 255. Par exemple, 1.160.10.240 pourrait être une adresse IP valide.

Au sein d'un réseau isolé, vous pouvez attribuer des adresses IP au hasard tant que chacune d'elles reste unique. Toutefois, la connexion d'un réseau privé à Internet exige l'utilisation d'adresses IP enregistrées (appelées adresses Internet) afin d'éviter les doublons.

Les quatre numéros dans une adresse IP sont utilisés de différentes façons pour identifier un réseau particulier et un serveur hôte. Trois registres régionaux Internet (ARIN, RIPE NCC et APNIC) attribuent des adresses Internet à partir des trois classes suivantes :

Classe A : accepte 16 millions de serveurs sur chacun des 126 réseaux.

Classe B : accepte 65 000 serveurs sur chacun des 16 000 réseaux.

Classe C : accepte 254 serveurs sur chacun des 2 millions de réseaux.

Le nombre d'adresses Internet non attribuées commence à manquer, aussi un nouveau schéma sans classe, appelé CIDR, remplace de plus en plus le système basé sur les classes A, B et C et est rattaché à l'adoption de la norme IPv6.

### **Adresse MAC (Media Access Control) .**

Adresse de contrôle d'accès au média. Adresse physique unique d'une carte réseau. Pour Ethernet, les trois premiers octets sont utilisés pour indiquer le code du vendeur, contrôlé et attribué par l'IEEE. Les trois autres octets sont contrôlés par chaque fabricant (pour empêcher toute superposition) ; en conséquence, chaque carte Ethernet reçoit une adresse physique unique au monde, ce qui permet de la distinguer parmi d'autres cartes. Lorsque la technologie Ethernet est utilisée, des trames sont envoyées et reçues en fonction de cette adresse.

### **ADSL (Asymmetric Digital Subscriber Line).**

Ligne numérique à paire asymétrique. Technologie de transport de services à haut débit sur des lignes téléphoniques ordinaires.

### **Amorçage.**

Démarrage d'un ordinateur et chargement de son système d'exploitation dans la mémoire vive (RAM), à partir du disque, de la mémoire ROM ou d'autres supports de stockage.

### **Authentification à clé partagée.**

Méthode d'authentification réseau établie par la spécification 802.11, selon laquelle le point d'accès transmet au client un paquet texte que le client doit crypter avec la bonne clé de réseau et renvoyer au point d'accès. Si le client possède la mauvaise clé ou s'il n'en a pas, l'authentification échouera et il ne sera pas autorisé à s'associer au point d'accès. L'authentification à clé partagée n'est pas considérée comme une méthode sûre, car un pirate qui accède au texte en clair et au texte crypté avec la clé WEP pourrait déchiffrer celle-ci.

**Authentification ouverte.**

Méthode d'authentification établie dans la norme 802.11 selon laquelle un client sans fil n'est pas authentifié avant de pouvoir s'associer.

**Batterie au lithium.**

Type de batterie rechargeable ayant une puissance et une durée de vie importantes compte tenu de sa taille, et ne subissant pas l'effet de mémoire qui caractérise les batteries au nickel-cadmium.

**BIOS.**

Acronyme signifiant Basic Input-Output System. Programme et ensemble de paramètres par défaut stockés dans la mémoire morte : il effectue des diagnostics et fait fonctionner votre ordinateur lorsque vous le mettez sous tension, et agit ainsi jusqu'à ce que votre système d'exploitation se soit chargé à partir du disque. Les informations du BIOS sont transférées au système d'exploitation pour lui fournir des données sur la configuration et l'état du matériel.

**Bit.**

Contraction de « Binary digit ». Unité simple d'information pouvant adopter la valeur 1 (un) ou 0 (zéro).

**bit/s.**

Abréviation de « bits par seconde ». Unité utilisée pour mesurer le débit de transfert de données.

**Bus.**

Circuit électrique qui transmet des données entre l'unité centrale et les sous-ensembles à l'intérieur de l'ordinateur.

**c.c.**

Courant continu. Courant qui ne fluctue pas périodiquement dans le temps.

**Canal.**

Plage de fréquences à bande étroite utilisée par la carte réseau sans fil pour transmettre des données. IEEE 802.11b/g : 11 canaux dans la bande de 22 MHz.

### **Clé de chiffrement (clé réseau).**

Clé de chiffrement utilisée pour coder les textes de messages et pour effectuer les vérifications de l'intégrité des messages. La clé de chiffrement protège les données contre les interceptions non autorisées.

Ce dispositif utilise la même clé de chiffrement pour coder ou décoder les données ; cette dernière est obligatoire pour que l'émetteur et le receveur puissent communiquer.

### **Clé de réseau.**

Clé utilisée pour le chiffrement des données sur le réseau. La clé de réseau étant utilisée par l'ordinateur personnel pour crypter et décrypter les données, l'émetteur et le récepteur doivent utiliser la même clé.

### **Commande.**

Instruction que vous transmettez au système d'exploitation. Exemple : exécuter une application particulière ou formater une disquette.

### **Compatibilité Wi-Fi.**

Contraction de « Wireless Fidelity ». Une conformité Wi-Fi indique que le produit a réussi le test d'interopérabilité de la WECA (Wireless Ethernet Compatibility Alliance), ce qui garantit l'interopérabilité de produits de réseau sans fil IEEE 802.11. Pour plus de renseignements sur la norme Wi-Fi, visitez le site Web de la WECA à : [www.wirelessethernet.com](http://www.wirelessethernet.com).

### **Configuration.**

Éléments matériels et logiciels qui composent le système et en définissent son fonctionnement.

### **DES.**

Décharge électrostatique. Décharge électrostatique soudaine provenant d'une charge statique qui s'est accumulée lentement. Exemple : la décharge reçue d'une poignée de porte ou les étincelles générées par un brossage des cheveux par temps sec.

### **DHCP (Dynamic Host Configuration Protocol).**

Il s'agit d'un protocole qui permet à un ordinateur qui se connecte sur un réseau d'obtenir dynamiquement sa configuration. Il est utilisé pour récupérer automatiquement des paramètres nécessaires à la communication, tels des adresses IP. L'émetteur d'une adresse IP s'appelle un serveur DHCP, et celui qui reçoit est un client DHCP.

**DIMM.**

Barrette de mémoire à double rangée de connexions.

**Disque dur.**

Support rotatif, circulaire, plat et très rigide pour le stockage magnétique de données.

**DMA (Direct Memory Access).**

Accès direct à la mémoire. Circuit spécial de transferts de données de mémoire à mémoire ne nécessitant pas l'intervention de l'UC.

**DMI (Desktop Management Interface).**

Interface de gestion du mode bureau. Norme qui permet aux applications de gestion d'ordinateur d'interroger et de configurer, localement ou à distance, des systèmes informatiques, des composants matériels et logiciels, ainsi que des périphériques.

**DNS (Domain Name System).**

Système d'adressage par domaines Fonction qui contrôle la correspondance entre l'adresse IP et le nom attribué à l'ordinateur. Il est possible de communiquer avec les ordinateurs dont les adresses IP sont inconnues, mais dont le nom est connu.

**Données.**

Les informations stockées et traitées par un système.

**DVMT (Dynamic Video Memory Technology).**

Technologie DVMT ou de mémoire vive pour les fonctions vidéo. Topologie de mémoire vidéo permettant d'améliorer l'efficacité de la carte mère grâce à une utilisation innovante de la mémoire.

**E/S.**

Entrée/Sortie. Données électroniques entrant et sortant de votre ordinateur portable.

**ECP (Extended Capability Port).**

Port à capacités étendues. Ensemble de normes de transmission de données à haute vitesse et d'interconnexions entre appareils électroniques.

**Écran à matrice active.**

Type d'écran plat où un transistor ou un composant similaire est associé à chaque pixel de l'écran.

### **FCC (Federal Communication Commission).**

Commission fédérale des communications (organisation gouvernementale américaine).

### **Go.**

Giga-octet. Un milliard d'octets.

### **Horloge système.**

Oscillateur à fréquence précise qui synchronise le fonctionnement du système et établit l'heure et la date.

### **IDE (Intelligent Drive Electronics).**

Interface IDE L'interface IDE se caractérise par le fait que le contrôleur électronique du disque dur est intégré dans le même boîtier que ce dernier.

### **IEEE 802.11a.**

Norme de réseau sans fil autorisant un débit maximum théorique de 54 Mbit/s. Les cartes de norme 802.11a fonctionnent dans les bandes de fréquences UNII inférieures et intermédiaires de 5 GHz.

### **IEEE 802.11b.**

Norme de réseau sans fil autorisant un débit maximum théorique de 11 Mbit/s. Les cartes de norme 802.11b fonctionnent dans les bandes de fréquences ISM de 2,4 GHz.

### **IEEE 802.11g.**

Norme de réseau sans fil autorisant un débit maximum théorique de 54 Mbit/s. Les cartes de norme 802.11g fonctionnent dans les bandes de fréquences ISM de 2,4 GHz.

### **IEEE802.11n.**

Norme de réseau sans fil utilisant plusieurs flux de données autorisant un débit maximum théorique de 450 Mbit/s. Les périphériques 802.11n peuvent fonctionner dans les bandes UNII de 2,4 GHz et 5 GHz. Ils sont en outre rétrocompatibles avec les périphériques 802.11g and 802.11a.

### **Infrastructure.**

Nom d'une configuration de réseau local (LAN) sans fil. Ce type de communication utilise un point d'accès. Il existe également un autre type de communications appelé « Ad hoc ».

**IRQ (Interrupt Request).**

Demande d'interruption. Il s'agit d'un signal envoyé par le matériel à l'unité centrale indiquant qu'il y a nécessité de traiter un évènement externe qui vient de se produire.

**Ko .**

Kilo-octet. Mille octets.

**LAN (Local Area Network).**

Réseau local. Interconnexion d'ordinateurs et de périphériques dans un emplacement délimité et permettant l'échange de programmes et de données.

**Lecteur de disque.**

Dispositif qui fait tourner le disque et qui contient les têtes et les circuits de commande permettant la lecture et l'écriture de données sur le disque.

**Masque de sous-réseau.**

Le réseau TCP/IP est commandé à l'aide d'une division en plusieurs sous-réseaux. Une adresse IP se compose d'une adresse de sous-réseau et de l'adresse de l'ordinateur. Le masque de sous-réseau détermine le nombre de bits formant l'adresse de sous-réseau dans l'adresse IP. La même valeur doit être utilisée pour tous les ordinateurs

**Mégahertz**

1 000 000 de cycles par seconde.

**Mémoire.**

Dépôt de données et d'applications auquel l'unité centrale de votre ordinateur portable LIFEBOOK a directement accès.

**Mémoire cache.**

Bloc de mémoire intégré au microprocesseur, auquel il est beaucoup plus rapide d'accéder qu'à la mémoire vive et utilisé de manière spéciale pour accélérer le débit global des données.

**MHz.**

Méga-hertz



**Mo.**

Méga-octet. Un million d'octets.

**Mode Ad Hoc.**

Le mode Ad Hoc désigne une topologie de réseau sans fil dans laquelle la connectivité entre les divers ordinateurs est établie sans périphérique central de réseau sans fil, ou point d'accès. La connectivité est établie uniquement à l'aide de périphériques clients dans une configuration égal à égal. Pour plus de détails, voir « Mode Ad Hoc » en page 142

**Module RAM ou module de mémoire vive.**

Carte de circuit imprimé avec mémoire et circuit associé qui permet à l'utilisateur d'ajouter de la mémoire supplémentaire à l'ordinateur sans outil spécial.

**Mono.**

Système qui utilise un seul canal pour traiter le son provenant de toutes les sources.

**MTU (Maximum Transmission Unit).**

Unité maximum de transmission

Taille maximum de données pouvant être transférées en une fois par Internet ou d'autres réseaux. Si vous rencontrez des difficultés à transférer des données à cause d'une taille maximum (MTU) trop élevée, vous pouvez définir une MTU inférieure pour que la communication aboutisse.

**Nom de réseau (ou SSID, abréviation de « Service Set Identifier ».)**

La configuration d'un réseau local sans fil fait appel à un regroupement pour éviter les interférences et le vol de données. Ce regroupement est effectué avec le « Nom de réseau (SSID) ». Pour améliorer la sécurité, la clé de réseau n'autorise aucune communication si le SSID ne lui correspond pas.

**NTSC (National TV Standards Commission).**

Commission nationale des normes TV. Norme de diffusion et de réception télévisuelle aux États-Unis.

**Octet.**

Unité d'information comprenant 8 bits d'informations binaires parallèles.

**Partition.**

Bloc d'espace réservé sur un disque dur, que le système d'exploitation considère comme étant un disque distinct et qu'il gère en conséquence.

**Pas de touche (clavier).**

La distance entre les centres des touches de lettres d'un clavier.

**PCMCIA.**

PCMCIA est une marque de commerce de la Personal Computer Memory Card International Association. La PCMCIA (association internationale des cartes de mémoire pour ordinateur personnel) est l'organisme qui définit les normes relatives aux cartes d'extension pour ordinateurs.

**Périphérique.**

Équipement qui effectue une fonction spécifique associée à un ordinateur mais qui ne fait pas partie de cet ordinateur. Exemples : une imprimante ou un lecteur CD-ROM.

**Pilote.**

Programme qui traduit les commandes envoyées par les applications et le système d'exploitation aux périphériques externes dans la forme exacte exigée par une marque et un modèle particulier afin de produire les résultats voulus avec le matériel employé.

**Pixel.**

Le plus petit élément d'affichage, point de couleur à l'écran. Plus la densité de pixels est élevée, plus l'image est nette.

**Point d'accès.**

Périphérique de réseau sans fil servant de pont de communication entre un réseau sans fil et un réseau câblé.

**Port COM.**

Abréviation de « Port de communication ». C'est le connecteur d'interface série.

**Port E/S.**

Connecteur et circuits de commande associés à travers lesquels transitent les données électroniques entrant et sortant de votre ordinateur.

### **Port LPT (Line Printer Port).**

Port d'imprimante par ligne. Expression désignant les ports d'interface parallèle, car les imprimantes par ligne ont été les premiers types, et plus tard les types les plus communs, de périphériques connectés aux ports parallèles.

### **Port série.**

Connexion à un autre périphérique par lequel les données sont transférées à raison d'un bit à la fois sur un seul fil conducteur, les autres fils conducteurs servant à la commande du périphérique et non au transfert de données.

### **POST (Power On Self Test).**

Auto-diagnostic (ou auto-test) de mise sous tension. Programme faisant partie du BIOS, qui vérifie la configuration et les conditions de fonctionnement de votre matériel chaque fois que votre portable est allumé. Des messages d'état et d'erreur peuvent être affichés avant que le système d'exploitation ne se charge. Si l'autotest détecte une panne qui est si importante que le fonctionnement ne peut pas continuer, le système d'exploitation ne sera pas chargé.

### **PPPoE (Point to Point Protocol over Ethernet).**

Littéralement, « Protocole Ethernet Point à Point » Protocole Ethernet faisant appel au protocole point à point (PPP) et utilisé pour la connexion à une ligne téléphonique.

### **Programme.**

Ensemble intégré de commandes codées indiquant à l'ordinateur ce qui doit être fait, ainsi que quand et comment le faire.

### **Protocole.**

Ensemble de procédures et de règles régissant la réception et l'envoi de données entre ordinateurs.

- Méthode d'envoi et de réception de données
- Processus utilisé pour traiter les erreurs de communication

Pour assurer un transfert correct des informations, les conditions requises pour la communication sont organisées dans des procédures.

### **RAM (Random Access Memory).**

Mémoire à accès direct, ou mémoire vive. Composant matériel de votre ordinateur LIFEBOOK qui stocke des informations binaires (programme et données) tant qu'il est alimenté par une source de courant.

## **Réinitialisation / Redémarrage.**

Le fait de charger à nouveau le système d'exploitation. Une réinitialisation ou un redémarrage efface toutes les informations stockées dans la mémoire vive.

## **Reprise.**

Continuer après une interruption. Dans le cas de votre portable, ceci signifie la reprise des activités normales à partir de l'un des modes de veille.

## **ROM (Read Only Memory).**

Mémoire en lecture seule, ou mémoire morte. Type de mémoire où les données sont stockées par transformation physique de la matière. Les données stockées de cette façon ne peuvent pas être modifiées par l'ordinateur et leur conservation n'exige pas de source de courant.

## **SDRAM.**

Mémoire vive dynamique synchrone. C'est un type de mémoire vive.

## **Sommeil.**

Mode dans lequel l'ordinateur est temporairement inactif. Votre LIFEBOOK utilise plusieurs modes de veille afin de réduire la consommation électrique et de prolonger la charge de votre batterie.

## **SSID (Service Set Identifier).**

Identificateur de services à 32 caractères ajouté à l'entête des paquets transmis sur un réseau sans fil, qui sert de mot de passe lorsqu'un périphérique mobile tente de se connecter à l'ensemble de services de base (BSS, ou Basic Service Set en anglais). L'identifiant SSID distingue un réseau sans fil d'un autre, de telle manière que tous les points d'accès et périphériques qui tentent de se connecter à un réseau donné doivent utiliser le même identifiant. Un périphérique ne peut être autorisé à accéder au BSS que s'il fournit le SSID unique. Le SSID étant diffusé en texte clair, il n'assure aucune sécurité du réseau.

## **Système d'exploitation.**

Groupe de programmes de contrôle qui convertissent les commandes des applications, y compris les pilotes, dans la forme exacte exigée par une marque et un modèle particuliers de processeur afin de produire les résultats voulus avec le matériel employé.

**TCP/IP (Transmission Control Protocol/Internet Protocol).**

Littéralement, « Protocole de Contrôle de Transmission/Protocole Internet ». Protocole Internet standard le plus utilisé.

**UL (Underwriters Laboratories).**

L'« Underwriters Laboratories » est un organisme indépendant qui effectue les tests de sécurité électrique des appareils et accorde les homologations correspondantes.

**USB.**

Bus série universel. Norme permettant de connecter simultanément à un ordinateur jusqu'à 127 périphériques USB comme des manettes de jeu, des dispositifs de pointage, des imprimantes ou des claviers.

**Valeur par défaut.**

Valeur préprogrammée à utiliser si vous n'en définissez pas une autre.

**Voyant d'état.**

Voyant indiquant l'état de certains composants de votre système. Sur votre ordinateur portable LifeBook, il s'agit d'un écran ACL situé juste au-dessus du clavier.

**WLAN (Wireless Local Area Network).**

Réseau local sans fil. Interconnexion sans fil d'ordinateurs et de périphériques dans un emplacement géographiquement délimité et permettant l'échange de programmes et de données.

## Renseignements sur la réglementation

### Avis

Les changements ou modifications qui ne sont pas expressément approuvés par Fujitsu pourraient interdire aux utilisateurs d'utiliser le matériel.

### AVIS DE LA FCC

#### Avis aux utilisateurs de postes radio et de téléviseurs

Cet appareil a été testé et jugé conforme aux limites établies pour le matériel numérique de classe B, selon la Partie 15 des règlements de la FCC.

Ces limites sont conçues pour assurer une protection raisonnable contre les interférences nuisibles dans un environnement résidentiel. Cet appareil génère, utilise et émet de l'énergie radiofréquence et, si son installation et son utilisation ne sont pas conformes aux instructions, il peut être la cause de parasites nuisibles aux communications radio. Il n'est toutefois pas garanti qu'aucune interférence ne sera observée dans un environnement particulier. Si ce matériel cause des interférences nuisibles à la réception des ondes de radio ou de télévision, ce qui peut être vérifié en le mettant hors tension puis sous tension, l'utilisateur devra tenter de les corriger en procédant comme suit :

- Réorienter ou déplacer l'antenne réceptrice.
- Accroître la distance entre l'appareil et le récepteur.
- Brancher l'appareil sur une prise reliée à un circuit différent de celui sur lequel le récepteur est branché.
- Consulter le vendeur ou un technicien radio/télévision expérimenté pour obtenir de l'aide.

Des câbles de liaison à paires torsadées blindées doivent être utilisés pour assurer la conformité aux limites d'émission RF qui gouvernent ce dispositif.

#### Avis aux utilisateurs du réseau téléphonique américain.

Cette installation est conforme à la partie 68 de la réglementation de la FCC, ainsi qu'aux normes techniques relatives au raccordement des réseaux téléphoniques publiées par l'ACTA (Administrative Council for Terminal Attachments). Sous l'appareil se trouve une étiquette indiquant, entre autres, le numéro d'immatriculation FCC et le numéro d'équivalence sonnerie (NES) de cet appareil ou un identifiant du produit au format US:AAAEQ##TXXXX. Si nécessaire, ces informations ou ce numéro doivent être communiqués à votre entreprise de téléphone.

Cet équipement est conçu pour être connecté à un réseau local ou à un réseau téléphonique public avec une prise téléphone modulaire standard de type USOC RJ11C. Les connecteur mâle et prise femelle utilisés pour relier ce matériel au câblage local et au réseau téléphonique doivent respecter les normes stipulées dans la partie 68 des règles de la FCC et aux normes de l'ACTA. Un cordon et une fiche modulaire conformes sont fournis avec cet appareil. Il est conçu pour être relié à une prise modulaire compatible, également conforme.

Le numéro d'équivalence sonnerie (NES) de cet appareil est 0.1B comme l'indique l'étiquette. Le numéro NES sert à déterminer le nombre d'appareils pouvant être connectés à une ligne téléphonique. S'il y a trop de NES sur une ligne téléphonique, il se peut que les appareils ne sonnent pas lorsqu'un correspondant vous appelle. Dans la plupart des régions, le total des NES ne doit pas dépasser cinq (5.0). Mettez-vous en rapport avec votre entreprise de téléphone locale afin de déterminer le nombre maximum d'appareils pouvant être raccordés sur une ligne.

Si cet équipement perturbe le réseau téléphonique, l'entreprise de téléphone pourra vous avertir à l'avance de la nécessité d'une interruption temporaire de service. Mais si l'entreprise ne peut pas avertir à l'avance, elle informera l'utilisateur le plus tôt possible. Vous serez également informé de votre droit de déposer une réclamation auprès de la FCC si vous le jugez nécessaire.

La compagnie de téléphone peut apporter des modifications à ses installations, à son équipement et à ses opérations ou procédures qui pourraient avoir une incidence sur le fonctionnement de cet équipement. Si c'est le cas, l'entreprise de téléphone vous en avertira à l'avance afin que vous puissiez apporter les modifications nécessaires permettant de conserver une liaison téléphonique ininterrompue.

Si vous rencontrez des problèmes avec cet appareil ou si vous désirez obtenir des renseignements concernant la réparation ou les conditions de garantie, veuillez consulter le guide d'utilisation de l'appareil ou contacter le service clients de la société Fujitsu America, Inc. Si l'équipement brouille les communications du réseau téléphonique, l'entreprise de téléphone peut vous demander de débrancher l'installation jusqu'à la résolution du problème.

L'appareil ne peut pas être utilisé sur un téléphone public de l'entreprise de téléphone. Le raccordement à un service de lignes groupées est soumis aux tarifs locaux en vigueur (pour en savoir plus, contactez les autorités compétentes en matière de télécommunications).

Si votre domicile est équipé d'un système d'alarme raccordé à la ligne téléphonique, assurez-vous que l'installation de cet ordinateur ne mette pas votre alarme hors service. Pour toutes questions concernant les éléments qui mettent l'alarme hors service, consultez votre entreprise de téléphone ou un installateur agréé.

La Loi de 1991 sur la protection des utilisateurs du téléphone stipule qu'il est illégal, pour toute personne, d'utiliser un ordinateur ou tout autre dispositif électronique pour envoyer par fax un message ne contenant pas clairement en marge, en haut ou en bas de chaque page transmise ou sur la première page de la transmission, la date et l'heure auxquelles il a été envoyé, une identification de la société ou autre entité, ou de l'individu envoyant le message, ainsi que le numéro de téléphone de ce dispositif ou de l'entreprise, de l'entité ou de l'individu.

## **AVIS DOC (INDUSTRIE CANADA)**

### **Avis aux utilisateurs de postes radio et de téléviseurs**

Cet appareil numérique de classe B respecte toutes les exigences de la Réglementation canadienne sur le matériel brouilleur.

Cet appareil numérique de classe B respecte toutes les exigences de la Réglementation canadienne sur le matériel brouilleur.

### **Avis aux utilisateurs du réseau téléphonique canadien**

AVIS : Cet appareil répond aux spécifications techniques d'Industrie Canada sur les équipements terminaux. Ceci est confirmé par le numéro d'enregistrement. Le sigle « IC » devant le numéro d'enregistrement signifie que ce dernier a été réalisé selon une Déclaration de conformité qui indique que les spécifications techniques ont été respectées. Il ne constitue pas une approbation de l'appareil par Industrie Canada.

Avant de relier cet appareil à une ligne de téléphone, l'utilisateur devrait s'assurer qu'il est autorisé à brancher cet appareil sur les installations de l'entreprise locale de télécommunications. L'utilisateur doit savoir que le respect des normes de certification n'empêche pas les dégradations de service dans certaines situations.

Les réparations sur un appareil de télécommunication doivent être effectuées par un centre d'entretien canadien agréé. Toute réparation ou modification non approuvée par Fujitsu, ainsi que tout dysfonctionnement de matériel, peuvent conduire une entreprise de téléphone à demander à l'utilisateur de débrancher l'appareil de la ligne de téléphone.

AVIS : Le numéro d'équivalence sonnerie (NES) de cet appareil terminal est 0.1B. Le NES attribué à chaque dispositif terminal indique le nombre maximal de terminaux pouvant être raccordés à une interface téléphonique. La terminaison d'une interface peut consister en une combinaison quelconque de dispositifs, à la seule condition que le total des numéros d'équivalence sonnerie de tous les dispositifs n'excède pas 5.





L'UTILISATEUR DOIT S'ASSURER QUE LES CONNEXIONS À LA TERRE, AUX LIGNES TÉLÉPHONIQUES ET AUX CANALISATIONS MÉTALLIQUES D'EAU SONT BIEN RACCORDÉES LES UNES AUX AUTRES. EN AUCUN CAS L'UTILISATEUR NE DOIT EFFECTUER CES RACCORDEMENTS LUI-MÊME. IL DOIT IMPÉRATIVEMENT S'ADRESSER AUX INSTANCES DE CONTRÔLE DES INSTALLATIONS ÉLECTRIQUES OU À UN ÉLECTRICIEN, SELON LE CAS. CETTE PRÉCAUTION PEUT ÊTRE PARTICULIÈREMENT IMPORTANTE DANS LES ZONES RURALES.

## **Avis aux utilisateurs du réseau téléphonique canadien**

**AVIS :** Le présent matériel est conforme aux spécifications techniques d'Industrie Canada applicables au matériel terminal. Cette conformité est confirmée par le numéro d'enregistrement. Le sigle IC, placé devant le numéro d'enregistrement, signifie que l'enregistrement s'est effectué conformément à une déclaration de conformité et indique que les spécifications techniques d'Industrie Canada ont été respectées. Il n'implique pas qu'Industrie Canada a approuvé le matériel.

Avant de connecter cet équipement à une ligne téléphonique, l'utilisateur doit vérifier s'il est permis de connecter cet équipement aux installations de télécommunications locales. L'utilisateur est averti que même la conformité aux normes de certification ne peut dans certains cas empêcher la dégradation du service.

Les réparations de l'équipement de télécommunications doivent être effectuées par un service de maintenance agréé au Canada. Toute réparation ou modification, qui n'est pas expressément approuvée par Fujitsu, ou toute défaillance de l'équipement peut entraîner la compagnie de télécommunications à exiger que l'utilisateur déconnecte l'équipement de la ligne téléphonique.

**AVIS :** Le numéro d'équivalence sonnerie (NES) du présent matériel est de 0.1B. Le NES assigné à chaque dispositif terminal indique le nombre maximal de terminaux pouvant être raccordés à une interface téléphonique. La terminaison d'une interface peut consister en une combinaison quelconque de dispositifs, à la seule condition que la somme des NES de tous les dispositifs n'excède pas 5.



POUR ASSURER LA SÉCURITÉ, LES UTILISATEURS DOIVENT VÉRIFIER QUE LA PRISE DE TERRE DU SERVICE D'ÉLECTRICITÉ, LES LIGNES TÉLÉPHONIQUES ET LES CONDUITES D'EAU MÉTALLIQUES SONT CONNECTÉES ENSEMBLE. LES UTILISATEURS NE DOIVENT PAS TENTER D'ÉTABLIR CES CONNEXIONS EUX-MÊMES, MAIS DOIVENT CONTACTER LES SERVICES D'INSPECTION D'INSTALLATIONS ÉLECTRIQUES APPROPRIÉS OU UN ÉLECTRICIEN. CECI PEUT ÊTRE PARTICULIÈREMENT IMPORTANT EN RÉGIONS RURALES.

# Annexe A : Guide d'utilisation de la carte de réseau local sans fil



## Renseignements sur la réglementation de la FCC

Veillez prendre note des renseignements suivants sur la réglementation relative à la carte réseau sans fil en option.

### Remarques et déclarations réglementaires

#### Santé et autorisation d'utilisation – Carte réseau sans fil

Une carte réseau sans fil émet de l'énergie électromagnétique radiofréquence. Les niveaux d'énergie de ces émissions sont toutefois beaucoup moins élevés que ceux d'autres appareils sans fil, tels que les téléphones cellulaires. La carte réseau sans fil peut être utilisée en toute sécurité car son fonctionnement est conforme aux recommandations et aux normes de sécurité en matière de radiofréquences. L'usage d'une carte réseau sans fil peut être limité dans certaines situations ou certains environnements, notamment :

- à bord d'un avion;
- dans un lieu contenant des matières explosives;
- dans des situations où le risque d'interférence avec d'autres appareils ou services est jugé dangereux.

Lorsque la politique d'utilisation des cartes réseaux sans fil de certains lieux à risque n'est pas bien définie (par exemple, dans les aéroports, les hôpitaux, les usines de produits chimiques, les raffineries de pétrole ou de gaz et dans les édifices privés), obtenez d'abord une autorisation.

#### Renseignements sur la réglementation et avis de non-responsabilité

Cette carte réseau sans fil doit être installée et utilisée conformément aux instructions de la documentation livrée avec le produit. Toute modification apportée sans l'approbation expresse du fabricant peut annuler le droit de l'utilisateur de s'en servir. Le fabricant n'est pas responsable des interférences avec la réception des ondes de radio ou de télévision causées par une modification non autorisée ou par le remplacement ou le raccord de câbles et de matériel de connexion autres que ceux prescrits par le fabricant. Il incombe à l'utilisateur de remédier aux interférences causées par une telle modification, substitution ou connexion non autorisée. Le fabricant et ses revendeurs ou distributeurs autorisés ne peuvent être tenus responsables des dommages ni de toute infraction à la réglementation gouvernementale résultant du non-respect de ces directives. Cet appareil ne doit pas être utilisé avec ou à proximité immédiate d'une antenne ou d'un émetteur.

**Avis concernant les réseaux sans fil IEEE 802.11a** : Le matériel destiné à un usage sur la bande 5,15~5,25 GHz doit être utilisé uniquement à l'intérieur et son antenne doit être intégrale.

## **Déclarations concernant la réglementation de la FCC**

Ce matériel est conforme aux limites définies dans la Partie 15 des règlements de la FCC.

Son fonctionnement est soumis aux deux conditions suivantes : (1) cet appareil ne doit pas causer d'interférence nuisible; (2) cet appareil doit accepter toutes les interférences reçues, y compris celles pouvant causer un mauvais fonctionnement de l'appareil.

## **Déclaration concernant les dispositions de la FCC sur les interférences**

Cet appareil a été testé et reconnu conforme aux limites établies pour le matériel numérique de classe B, selon la Partie 15 des règlements de la FCC. Ces limites sont conçues pour assurer une protection raisonnable contre les interférences nuisibles dans un environnement résidentiel. Cet appareil génère, utilise et peut émettre de l'énergie radiofréquence. S'il n'est pas installé et utilisé conformément aux instructions, il peut causer des interférences nuisibles aux communications radio. Il n'est toutefois pas garanti qu'aucune interférence ne sera observée dans un environnement particulier.

Si ce matériel cause des interférences nuisibles à la réception des ondes de radio ou de télévision, ce qui peut être vérifié en le mettant hors tension puis sous tension, l'utilisateur devra tenter de les corriger en procédant comme suit :

- 1** Réorienter ou déplacer l'antenne réceptrice.
- 2** Éloigner le matériel du récepteur.
- 3** Brancher le matériel sur une prise alimentée par un circuit différent de celui du récepteur.
- 4** Consulter le vendeur ou un technicien radio/télévision expérimenté pour obtenir de l'aide.

## **Déclaration concernant la réglementation de la FCC sur l'exposition aux fréquences radio**

Selon les données scientifiques disponibles, il n'existe pas de problèmes de santé liés à l'utilisation des périphériques sans fil de faible puissance. En revanche il n'existe pas non plus de preuves qui démontrent que ces périphériques sont absolument dépourvus de risques. Les périphériques sans fil de faible puissance émettent, lors de leur utilisation, une faible énergie de fréquences radio dans la plage des micro-ondes. Alors que des niveaux élevés de fréquences radio risquent d'entraîner des effets néfastes sur la santé (en chauffant les tissus), l'exposition à un faible niveau de fréquences radio ne provoque pas les effets calorifiques qui ont un effet adverse sur la santé. De nombreuses études portant sur l'exposition à de faibles niveaux de fréquences radio n'indiquent aucun effet biologique. Certaines études laissent entendre que des effets biologiques sont possibles, mais ces conclusions n'ont pas été confirmées par des recherches supplémentaires. La carte de réseau local sans fil a été testée et les résultats obtenus sont conformes aux limites établies par la FCC en matière d'exposition au rayonnement d'un équipement non contrôlé; ainsi que les directives de la FCC en matière d'exposition aux radiofréquences selon le Supplément C du Bulletin IOET65.

## **Restrictions concernant l'exportation**

Ce produit ou logiciel contient du code de chiffrement qui ne peut être exporté ou transféré du Canada ou des États-Unis sans un permis d'exportation du département du commerce des États-Unis. Ce matériel est conforme à la Partie 15 des règlements de la FCC, ainsi qu'à la norme ICES 003 B/NMB 003 B. Son fonctionnement est soumis aux deux conditions suivantes : (1) cet appareil ne doit pas causer d'interférence nuisible; (2) cet appareil doit accepter toutes les interférences reçues, y compris celles pouvant causer un mauvais fonctionnement de l'appareil. Toute modification n'ayant pas été expressément approuvée par la société Fujitsu America Incorporated peut annuler le droit de l'utilisateur de se servir du matériel.

## **Avis pour le Canada**

Le matériel destiné à un usage sur la bande 5 150 - 5 250 MHz doit être utilisé uniquement à l'intérieur afin de réduire les risques de brouillage nuisible causé aux systèmes mobiles par satellite fonctionnant sur un même canal.

Un gain d'antenne de 6 dBi est autorisé (pour le matériel utilisant les bandes 5 250 - 5 350 MHz, 5 470 - 5 725 MHz et 5 725 - 5 825 MHz), conformément à la limite p.i.r.e. maximale permise selon l'annexe A9.2 afférent aux périphériques RSS210.

En outre, les utilisateurs doivent prendre garde au fait que les radars de grande puissance sont considérés comme des utilisateurs principaux (ce qui signifie qu'ils sont prioritaires) des bandes 5 250 - 5 350 MHz et 5 650 - 5 850 MHz et qu'ils pourraient causer des interférences ou des dommages aux appareils de réseau exempts de licence.

## Avant d'utiliser la carte réseau sans fil optionnelle

Ce guide explique comment installer et configurer correctement la carte réseau sans fil mini-PCI intégrée (disponible en option), ci-après désignée sous le nom de « carte réseau sans fil ». Avant d'utiliser la carte réseau sans fil, lisez attentivement le présent guide afin de bien comprendre son fonctionnement. Conservez ce guide en lieu sûr afin de pouvoir vous y référer ultérieurement.

### Cartes réseau sans fil présentées dans ce document

Ce document s'applique aux systèmes équipés de l'une des deux cartes suivantes :

- Carte intégrée Intel® Centrino® Advanced-N 6205 (802.11agn 2x2)
- Carte intégrée Intel® Centrino® Wireless-N 2200 (802.11bgn 2x2)

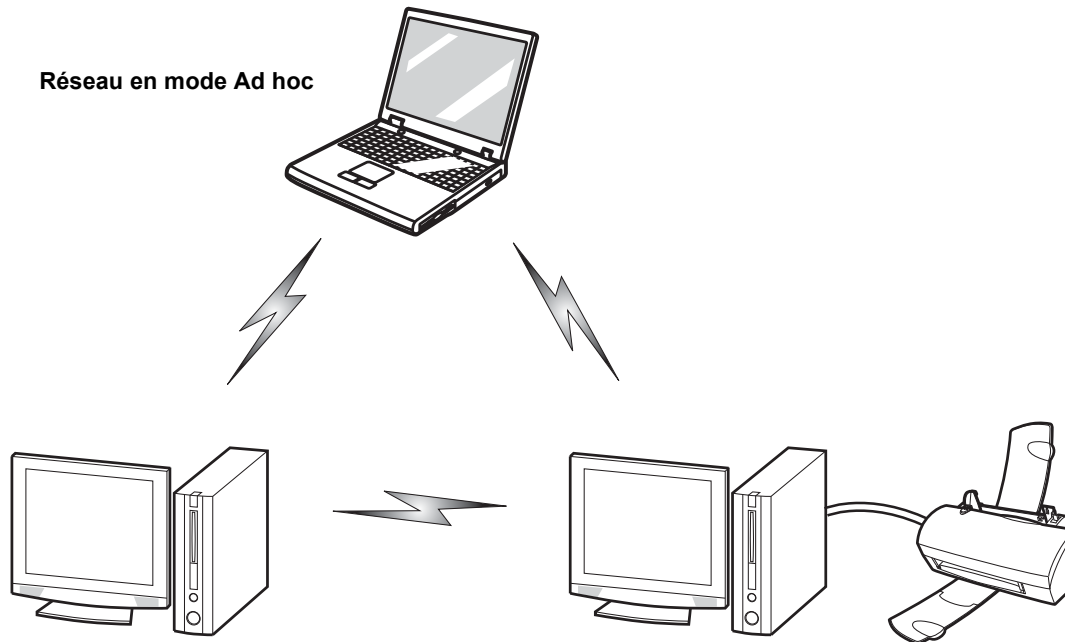
### Caractéristiques de la carte réseau sans fil

- Les cartes réseau sans fil sont des cartes au format Mini-PCI, connectées à la carte mère de l'ordinateur portable.
- Elles fonctionnent dans les bandes RF pouvant être utilisées sans autorisation spéciale, ce qui élimine le besoin d'obtenir une licence de la FCC pour les radiocommunications. Elle fonctionne dans la bande industrielle, scientifique et médicale (ISM) de 2,4 GHz et dans les bandes UNII (Unlicensed National Information Infrastructure) inférieures, intermédiaires et supérieures (5 GHz).
- Les cartes réseau sans fil peuvent être utilisées selon quatre modes de fonctionnement : IEEE 802.11a, IEEE 802.11b, IEEE 802.11g et IEEE 802.11n (version préliminaire).
- La carte réseau sans fil est certifiée Wi-Fi et fonctionne à un débit maximal théorique de 450 Mbit/s en mode IEEE 802.11n (300 Mbit/s dans cette configuration), de 54 Mbit/s en mode IEEE 802.11g et de 11 Mbit/s en mode IEEE 802.11b.
- La carte réseau sans fil prend en charge les modes de chiffrement WEP, TKIP, CKIP et AES.
- La carte réseau sans fil est conforme aux normes suivantes : WPA, WPA2, CCX1.0, CCX2.0, CCX3.0 et CCX4.0.

## Modes de réseau sans fil compatibles avec cette carte

### Mode Ad Hoc

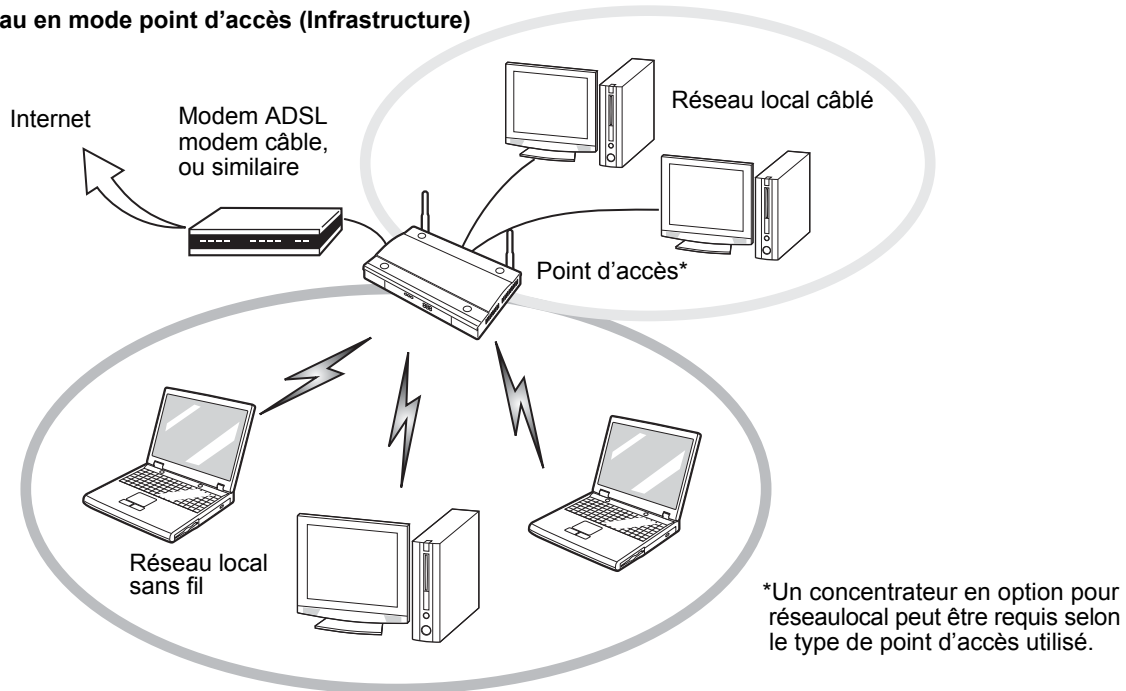
Le mode Ad hoc désigne une topologie de réseau sans fil dans laquelle la connectivité entre les divers ordinateurs est établie sans périphérique central de réseau sans fil, ou point d'accès. La connectivité est établie uniquement à l'aide de périphériques clients dans une configuration égal à égal. Les réseaux Ad hoc sont donc également connus sous le nom de réseaux d'égal à égal. Un réseau Ad hoc est une méthode aisée et peu coûteuse de relier plusieurs ordinateurs en réseau. Le mode Ad hoc exige que les paramètres de nom de réseau SSID, d'authentification réseau et de clé de chiffrement soient configurés de façon identique sur tous les ordinateurs du réseau.



## Mode point d'accès (Infrastructure)

Le mode Infrastructure désigne une topologie de réseau sans fil dans laquelle les appareils communiquent au sein d'un réseau sans fil ou câblé par l'intermédiaire d'un point d'accès. En mode Infrastructure, les appareils sans fil peuvent communiquer directement entre eux ou sur un réseau câblé. Les réseaux sans fil d'entreprise fonctionnent en mode Infrastructure car ils nécessitent une connexion au réseau local sans fil pour accéder aux ordinateurs, aux périphériques et aux services (par exemple, serveurs de fichier, imprimantes et bases de données).

Réseau en mode point d'accès (Infrastructure)



## Manipulation de la carte réseau sans fil

La carte réseau local sans fil est un dispositif en option qui peut être fourni avec votre ordinateur portable. Normalement, vous ne devriez pas avoir besoin de la retirer ou de la réinstaller. Le système d'exploitation de l'ordinateur est déjà configuré pour utiliser la carte réseau sans fil.

- Les cartes de réseau local sans fil Centrino sont compatibles avec les normes IEEE802.11a, IEEE802.11b, IEEE802.11g et IEEE802.11n.
- Elles fonctionnent dans la bande ISM de 2,4 GHz et dans les bandes UNII inférieures, intermédiaires et supérieures (5 GHz).
- Les fours micro-ondes peuvent interférer avec la carte réseau sans fil car ils utilisent la même bande de fréquences (2,4 GHz) que les spécifications IEEE 802.11b/g/n. Les fours micro-ondes ne causent aucune interférence en mode IEEE 802.11a car celui-ci utilise la bande radiofréquence de 5 GHz.
- Les appareils sans fil qui émettent dans la bande de fréquences de 2,4 GHz peuvent nuire au fonctionnement des périphériques IEEE 802.11b/g/n. Les symptômes associés aux interférences incluent une réduction du débit, des coupures intermittentes de connexion et un nombre important d'erreurs de trames. Il est **FORTEMENT** recommandé de mettre hors tension les appareils générant des interférences afin d'assurer le bon fonctionnement de la carte réseau sans fil.

## Désactivation/déconnexion de la carte réseau sans fil

La désactivation de la carte réseau sans fil peut être souhaitable dans certaines circonstances (pour prolonger la vie de la batterie) ou dans des endroits où l'utilisation des appareils électroniques est réglementée (par exemple : hôpitaux, cliniques, avions, etc.). La carte réseau sans fil peut être désactivée avec le commutateur marche/arrêt correspondant ou avec Windows, en utilisant l'icône correspondante dans la zone de notification (Remarque : cette deuxième procédure n'éteindra pas la radio : l'émission et la réception continueront bien que la carte réseau ait été désactivée).



## Désactivation avec le commutateur de dispositif sans fil

La carte réseau sans fil peut être désactivée rapidement et efficacement en mettant le commutateur correspondant en position OFF (arrêt). Notez que ce commutateur n'a aucun effet sur les modèles fournis d'une carte pour réseau local filaire.

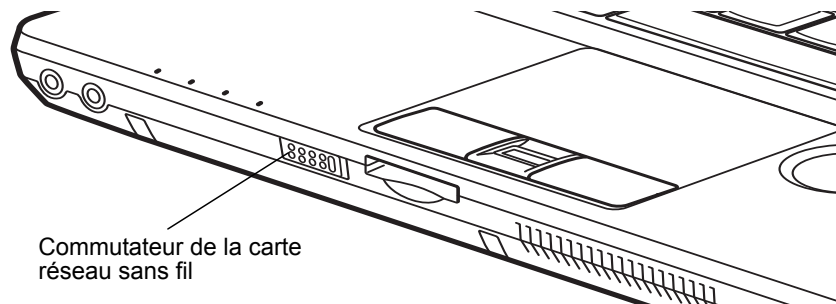


Figure 40. Emplacement du commutateur de dispositif sans fil

## Désactivation par l'icône dans la zone de notification

Notez qu'avec cette procédure, la radio ne sera pas éteinte, l'émission et la réception sont toujours actives bien que la carte ne soit plus connectée.

- 1 Faites un clic droit sur l'icône Carte réseau sans fil dans la zone de notification en bas à droite de l'écran.
- 2 Choisir Se déconnecter d'un réseau.

## Activation de la carte réseau sans fil

La carte réseau sans fil peut être activée de la même façon que pour sa désactivation.

- Avec le commutateur correspondant
- Sous Windows, en cliquant à l'aide du bouton droit de la souris l'icône de la carte réseau sans fil puis en cliquant sur « Connexion à un réseau »

## Configuration de la carte réseau sans fil

La carte réseau sans fil en option peut être configurée pour établir la connectivité du réseau sans fil en utilisant le logiciel intégré dans Windows. Il prend également en charge la plupart des solutions de sécurité standard.

Certains paramètres prédéfinis seront requis pour cette procédure. Pour les obtenir, consulter votre administrateur de réseau :

### Configuration de la carte de réseau local sans fil sous Windows

- 1 Cliquez sur le bouton [Démarrer], puis sélectionnez Panneau de configuration.
- 2 Si le Panneau de configuration n'est pas en mode d'affichage par icônes, sélectionnez soit Grandes Icônes, soit Petites Icônes en mode d'Affichage en : liste déroulante. Double-cliquez sur l'icône du Centre de réseau et partage.
- 3 Dans le panneau de gauche, sélectionnez **Se connecter à un réseau**.
- 4 Sélectionnez un des réseaux de la liste, puis cliquez sur [Connexion].
- 5 Suivez les instructions à l'écran.
- 6 Dans l'éventualité d'un besoin d'aide, allez à la fenêtre du Centre de réseau et partage (Démarrer -> Panneau de configuration -> Centre de réseau et partage) et entrez les mots-clés dans la boîte Recherche.

### Se connecter à un réseau

Après avoir configuré votre ordinateur, vous pouvez vous connecter à un réseau actif en réalisant les étapes suivantes :

- 1 Cliquez sur l'icône de la carte réseau sans fil de la zone de notification.
- 2 Sélectionnez « Connexion à un réseau ».
- 3 Sélectionnez un réseau dans la liste qui apparaît et cliquez sur le bouton [Connexion]

### Connexion au réseau

Une fois la configuration effectuée, vous pouvez vous connecter à un réseau actif en cliquant sur l'icône « Connexion réseau sans fil » de la zone de notification.

# Dépannage de la carte réseau sans fil

## Dépannage

Le tableau ci-dessous présente les causes possibles et les mesures correctives pour différents problèmes de réseau sans fil.

Problème	Cause possible	Solution possible
Réseau indisponible connexion	Nom de réseau (SSID) ou clé WEP non valide	<b>Connexion en mode Ad hoc</b> : Assurez-vous que le SSID et la clé WEP de tous les ordinateurs du réseau ont été configurés correctement. Les noms de réseau et les valeurs de la clé WEP doivent être identiques sur chaque ordinateur. <b>Connexion en mode point d'accès (Infrastructure)</b> : attribuez aux ordinateurs le même SSID et la même clé WEP que ceux du point d'accès. Attribuez la même valeur d'authentification réseau que celle du point d'accès. Consultez votre administrateur de réseau si cette valeur est requise.
	Signal faible et/ou mauvaise qualité de la liaison	Connexion en mode Ad hoc : Essayez de rétablir la connexion après avoir rapproché l'ordinateur ou retiré les éventuels obstacles. Connexion en mode point d'accès (Infrastructure) : Essayez de rétablir la connexion après avoir rapproché le point d'accès ou retiré les éventuels obstacles.
	Le dispositif sans fil a été désactivé ou est hors fonction.	Assurez-vous que l'interrupteur de la carte réseau sans fil est sur ON. Allez dans Démarrer > <b>Panneau de configuration</b> , puis double-cliquez sur <b>Centre de mobilité Windows</b> . Si le réseau sans fil est éteint, cliquez sur le bouton « Allumer le réseau sans fil ».
	L'ordinateur à connecter est éteint.	Vérifiez si l'ordinateur est allumé.
	Paramètres réseau mal configurés	Vérifiez la configuration des paramètres réseau.

<b>Problème</b>	<b>Cause possible</b>	<b>Solution possible</b>
Réseau indisponible connexion  (suite)	Interférences RF provenant de points d'accès ou d'autres réseaux sans fil	L'utilisation de canaux RF identiques ou se chevauchant peut nuire au fonctionnement de la carte réseau sans fil. Changez le canal de votre point d'accès en tenant compte du canal du périphérique nuisible.
	Échec de l'authentification de la carte réseau sans fil.	Vérifiez les paramètres d'authentification réseau, de chiffrement et de sécurité. Si les paramètres de sécurité sont mal configurés, en raison, par exemple, d'une clé WEP comportant une faute de frappe, d'un nom d'utilisateur LEAP incorrect ou d'un mauvais choix de méthode d'authentification, la carte réseau sans fil s'associera au réseau sans fil mais ne s'y authentifiera pas.
	Configuration incorrecte de l'adresse IP	Ceci s'applique uniquement aux réseaux qui utilisent des adresses IP statiques. Pour obtenir les paramètres appropriés, consultez votre administrateur de réseau.

# Spécifications de la carte de réseau local sans fil

## Spécifications

Élément	Spécification
Type de réseau	Les cartes réseau sans fil intégrées Intel® Centrino® Advanced-N 6205 et Intel® Centrino® Wireless-N 2200 respectent les normes IEEE 802.11a, 802.11b/g et 802.11n sur les applications Wi-Fi*.
Débit	(Commutation automatique) IEEE 802.11 a et g : Débit max. de 54 Mbit/s ; IEEE 802.11n : Débit max. de 300 Mbit/s
Fréquence active	<ul style="list-style-type: none"><li>• 802.11n : 2,4 GHz ou 5 GHz</li><li>• 802.11b/g : 2 400 ~ 2 473 MHz</li><li>• 802.11a : 4 900 ~ 5 850 MHz</li></ul>
Portée nominale**	<ul style="list-style-type: none"><li>• 802.11a : 12 mètres (40 pi) à 54 Mbit/s ; 91 mètres (300 pi) à 6 Mbit/s</li><li>• 802.11b : 30 mètres (100 pi) à 11 Mbit/s ; 91 mètres (300 pi) à 1 Mbit/s</li><li>• 802.11g : 30 mètres (100 pi) à 54 Mbit/s ; 91 mètres (300 pi) à 1 Mbit/s</li><li>• 802.11n : selon les estimations, les portées des modes 802.11g et 802.11a, dans leurs fréquences respectives, sont multipliées par deux.</li></ul>
Nombre de canaux	<ul style="list-style-type: none"><li>• 802.11a : 8, indépendants</li><li>• 802.11b/g : 11, dont 3 sans chevauchement</li><li>• 802.11n : La technologie de liaison de canaux combine deux canaux sans chevauchement de 20 MHz en un seul canal de 40 MHz. Ici, le système offre en fait 12 canaux sans chevauchement avec la liaison de canaux ou 24 canaux sans chevauchement lorsque la liaison de canaux n'est pas utilisée. En outre, il offre un canal sans chevauchement de 2,4 GHz lorsque la technologie de liaison de canaux est utilisée.</li></ul>
Sécurité	Types de chiffrement – compatible avec WEP, TKIP, AES***, WPA 1.0 et WPA 2.0  Longueurs de clé de chiffrement prises en charge : 64 bits et 128 bits
Nombre maximum recommandé d'ordinateurs connectés au réseau local sans fil (en mode Ad hoc)	10 ou moins****

- \* « Type Wi-Fi » indique que le test d'interconnectivité de la Wi-Fi Alliance (organisation garantissant l'interconnectivité des réseaux sans fil) a réussi.
- \*\* La portée peut varier selon certains facteurs (par exemple, nombre de murs, réflectivité des matériaux ou interférences provenant d'autres sources de radiofréquences).
- \*\*\* Le chiffrement par clé de réseau (WEP) est effectué avec le nombre de bits indiqué ci-dessus, mais l'utilisateur peut définir une clé de 40 ou 104 bits après avoir soustrait la longueur fixe de 24 bits.
- \*\*\*\* Selon l'environnement, le nombre maximum d'ordinateurs peut être inférieur.

## Utilisation de Bluetooth

Le module Bluetooth intégré est un composant offert en option pour les ordinateurs portables Fujitsu.

### Qu'est-ce que le Bluetooth?

La technologie Bluetooth est conçue pour assurer la liaison sans fil à faible portée entre divers appareils mobiles, tels que téléphones, ordinateurs portables, imprimantes et caméras. La technologie Bluetooth permet d'établir des réseaux personnels (PAN) entre des appareils situés à courte distance les uns des autres.



L'ACTIONNEMENT DU COMMUTATEUR DE L'INTERFACE RÉSEAU SANS FIL PERMET D'ÉTEINDRE SIMULTANÉMENT LES INTERFACES RÉSEAU SANS FIL ET BLUETOOTH. POUR ACTIVER OU DÉACTIVER SÉPARÉMENT L'INTERFACE BLUETOOTH, PROCÉDEZ COMME SUIV :

- ALLEZ À DÉMARRER > **TOUS LES PROGRAMMES** > **BLUETOOTH**.
- DANS LE MENU BLUETOOTH, CLIQUEZ SUR **OPTIONS** PUIS SUR LE BOUTON **BLUETOOTH RADIO POWER** (ALIMENTATION RADIO BLUETOOTH).
- CLIQUEZ SUR [OK].

### Sources d'informations supplémentaires sur Bluetooth

Le module Bluetooth contient un guide de l'utilisateur complet qui vous aidera à maîtriser son fonctionnement.

Pour accéder au fichier d'aide, cliquez sur Démarrer -> Tous les programmes, Bluetooth, puis sur Guide d'utilisation.

Pour en savoir davantage sur la technologie Bluetooth, visitez le site Web : [www.bluetooth.com](http://www.bluetooth.com).

### Énoncé de la FCC relatif à l'exposition aux rayonnements

Cet équipement respecte les normes de la FCC relatives à l'exposition aux rayonnements, définies pour un environnement non contrôlé. L'antenne Bluetooth est exempte des critères de distance minimale à cause de sa faible puissance.

Les émetteurs de ce périphérique ne doivent pas être utilisés avec ou à proximité immédiate d'une antenne ou d'un autre émetteur.

## **Avis pour le Canada**

Pour éviter que ce service fourni sous licence soit perturbé par des interférences radio, ce matériel doit être utilisé à l'intérieur et à distance des fenêtres. Si l'équipement (ou l'antenne de transmission) est installé à l'extérieur, une licence peut être nécessaire.

## **Garantie**

Les utilisateurs ne sont pas autorisés à modifier ce produit. Toute modification annule la garantie.

Cet équipement ne peut être modifié, altéré ou changé en aucune façon sans l'autorisation écrite de Fujitsu. Toute modification non autorisée annulera les autorisations d'équipement de la FCC et d'Industrie Canada, de même que la garantie.



# Annexe B : Capteur d'empreintes digitales

## Présentation du capteur d'empreintes digitales optionnel

Il est possible que votre LifeBook soit équipé d'un capteur d'empreintes digitales sous le pavé tactile TouchPad, entre les boutons gauche et droit (Figure 41). Ce capteur sert aussi de bouton de défilement.

Grâce au capteur d'empreintes digitales, il n'est plus nécessaire de saisir votre nom d'utilisateur et votre mot de passe chaque fois que vous voulez :

- Ouvrir une session dans Windows
- Reprendre à partir du mode sommeil
- Annuler un économiseur d'écran protégé par mot de passe
- Ouvrir une session dans des pages d'accueil nécessitant un nom d'utilisateur et un mot de passe

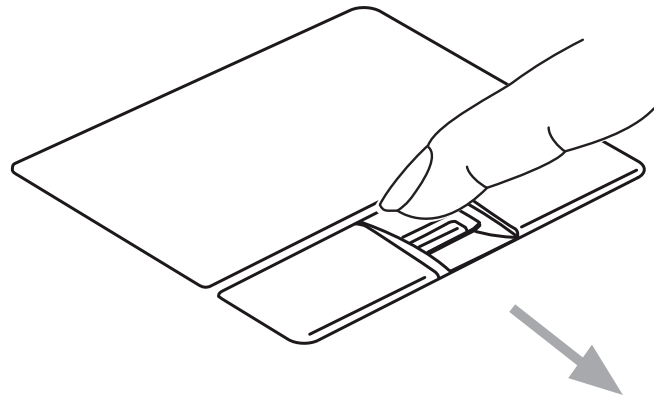


Figure 41. Capteur d'empreintes digitales



MÊME SI VOTRE SYSTÈME EST DOTÉ D'UN CAPTEUR D'EMPREINTES DIGITALES À L'EMPLACEMENT DU BOUTON DE DÉFILEMENT, LE CAPTEUR PEUT ÊTRE UTILISÉ POUR FAIRE DÉFILER L'ÉCRAN. IL VOUS SUFFIT DE DÉPLACER LE BOUT DE VOTRE DOIGT SUR LE CAPTEUR, DE LA MÊME MANIÈRE QU'AVEC UN BOUTON DE DÉFILEMENT.

Après avoir « inscrit » – ou enregistré – votre empreinte digitale, il vous suffit de glisser le bout de votre doigt sur le capteur pour que le système vous reconnaisse.

Le capteur d'empreintes digitales utilise le logiciel Softex OmniPass qui fournit des fonctions de gestion de mot de passe aux systèmes d'exploitation Microsoft Windows. OmniPass vous permet d'utiliser un « mot de passe principal » pour tous les écrans en ligne, toutes les applications Windows et d'autres applications demandant un mot de passe.

OmniPass demande aux utilisateurs de s'authentifier à l'aide du capteur d'empreintes digitales avant de leur donner accès au bureau Windows. Ce périphérique comporte un système d'authentification sécurisé qui limite l'accès à votre ordinateur, à vos applications, à vos sites Web et aux autres ressources protégées par mot de passe.

OmniPass présente une interface graphique conviviale, qui permet de gérer de façon sécuritaire les mots de passe, les comptes utilisateur et les identités multiples pour chaque utilisateur.



CERTAINS MODÈLES PRENNENT EN CHARGE LA FONCTION D'AUTHENTIFICATION AU DÉMARRAGE (OU PBA : PRE-BOOT AUTHENTICATION). LA PBA VOUS PERMET DE VOUS CONNECTER AVANT QUE LE MÉCANISME D'AUTHENTIFICATION PROPRE À WINDOWS NE COMMENCE. L'ENVIRONNEMENT PBA FONCTIONNE COMME UNE EXTENSION DU BIOS OU DU PROGRAMMA DE DÉMARRAGE DÉTERMINÉ (BOOT FIRMWARE), CE QUI VOUS PERMET DE TRAVAILLER DANS UN ENVIRONNEMENT PLUS SÉCURISÉ, INDÉPENDANT DU SYSTÈME D'EXPLOITATION.

## Première mise en marche

Cette section vous montre comment préparer votre système à l'installation de l'application de reconnaissance d'empreintes digitales OmniPass. Vous y trouverez des conseils qui vous guideront au long de la procédure d'installation. Elle indique également de façon détaillée comment enregistrer votre premier utilisateur dans OmniPass.

## Installer OmniPass

Si l'application OmniPass a déjà été installée sur votre système, sautez cette section et allez directement à « Enregistrement des utilisateurs » en page 157. Pour savoir si l'application OmniPass est déjà installée, vérifiez si les éléments suivants sont présents :

- Une icône OmniPass, dorée et en forme de clé, figure dans la zone de notification, dans le coin inférieur droit de l'écran.
- L'application Softex apparaît dans le groupe de **Programmes** du menu **Démarrer**.

## Configuration de système nécessaire

L'application OmniPass nécessite de l'espace sur votre disque dur ainsi qu'un système d'exploitation (SE) spécifique. Les exigences minimales sont les suivantes :

- Système d'exploitation Windows XP Professionnel ou système d'exploitation ultérieur
- Au moins 35 Mo d'espace disque disponible

## Installation de l'application OmniPass

Si l'application OmniPass est déjà installée sur votre système, allez directement à « Enregistrement des utilisateurs » en page 157. Autrement, continuez à suivre les instructions de cette section concernant l'installation du logiciel.



L'UTILISATEUR DÉSIRANT INSTALLER OMNIPASS DOIT DISPOSER DE DROITS D'ADMINISTRATEUR DANS LE SYSTÈME. SI VOUS N'AVEZ PAS DE TELS DROITS, FERMEZ LA SESSION ET OUVREZ-EN UNE AUTRE AVEC UN NOM D'UTILISATEUR POSSÉDANT CES DROITS AVANT DE POURSUIVRE L'INSTALLATION D'OMNIPASS.

Pour installer OmniPass dans votre système, vous devez exécuter les opérations suivantes :

- 1** Insérez le disque d'installation de l'application OmniPass dans le lecteur approprié. Si vous installez OmniPass à partir d'un CD-ROM ou d'un DVD-ROM, vous devez trouver et lancer le programme d'installation (setup.Exe) se trouvant sur le disque.
- 2** Suivez les instructions figurant dans le programme d'installation. Indiquez l'endroit où vous souhaitez installer OmniPass. Il est recommandé de NE PAS installer l'application dans le répertoire racine (par exemple : C:\).
- 3** Une fois l'installation d'OmniPass terminée, vous serez invité à redémarrer votre système. Vous pourrez ensuite utiliser OmniPass. Si vous décidez de ne pas redémarrer votre système immédiatement après l'installation, OmniPass ne sera pas disponible avant le prochain redémarrage.
- 4** Le programme d'installation place automatiquement une icône (Softex OmniPass) dans le panneau de configuration Windows, ainsi qu'une icône dorée en forme de clé dans la zone de notification.

## Vérification des informations concernant votre version d'OmniPass

Après avoir installé OmniPass et redémarré votre système, vous pouvez décider de vérifier la version du logiciel.

Pour vérifier votre version d'OmniPass :

- 1 Double-cliquez sur l'icône en forme de clé OmniPass de votre barre de tâches Windows (généralement en bas à droite de l'écran),  
ou  
Cliquez sur le bouton **Démarrer**, puis sélectionnez **Paramètres** et **Panneau de configuration**. Double-cliquez sur **Softex OmniPass** dans le panneau de configuration et vous verrez apparaître le Centre de contrôle OmniPass. S'il ne s'affiche pas, cela signifie que le programme n'est pas installé correctement,  
ou  
Cliquez sur le bouton **Démarrer**, sélectionnez **Tous les programmes**, puis le groupe de programmes **Softex** et enfin, dans ce sous-menu, cliquez sur **Centre de contrôle OmniPass**.
- 2 Sélectionnez l'onglet **À propos de** en haut du Centre de contrôle OmniPass. Une fenêtre indiquant la version du logiciel OmniPass apparaît.

## Désinstallation d'OmniPass



L'UTILISATEUR DÉSIRANT DÉSINSTALLER OMNIPASS DOIT DISPOSER DE DROITS D'ADMINISTRATEUR DANS LE SYSTÈME. SI VOUS N'AVEZ PAS DE TELS DROITS, FERMEZ LA SESSION ET OUVREZ-EN UNE AUTRE AVEC UN NOM D'UTILISATEUR POSSÉDANT CES DROITS AVANT DE POURSUIVRE LA DÉSINSTALLATION D'OMNIPASS.

Pour supprimer l'application OmniPass de votre système :

Sélectionnez « OmniPass » et cliquez ensuite sur « Désinstaller ».

- 1 Cliquez sur **Démarrer** dans la barre des tâches. Sélectionnez **Tous les programmes**, puis **Panneau de configuration**.
- 2 Double-cliquez sur **Programmes et fonctions**.
- 3 Sélectionnez **OmniPass** et cliquez ensuite sur **Désinstaller**.
- 4 Suivez les instructions de désinstallation de l'application OmniPass.
- 5 Après la désinstallation d'OmniPass, redémarrez votre système lorsque vous y êtes invité.

## Enregistrement des utilisateurs

Avant de pouvoir utiliser les fonctions d'OmniPass, vous devez d'abord enregistrer un utilisateur dans ce programme.

### Concept du mot de passe principal

Les ressources d'un ordinateur sont souvent protégées par des mots de passe. Lorsque vous vous connectez à votre ordinateur, que vous consultez vos courriels, que vous effectuez des opérations bancaires sur Internet, que vous payez des factures en ligne ou que vous accédez aux ressources d'un réseau, il vous est souvent demandé de vous identifier. Il se peut alors que vous ayez besoin de dizaines de mots de passe dont vous devez vous rappeler.

Lors de l'enregistrement d'un utilisateur, un « mot de passe principal » est créé à son intention. Ce mot de passe « remplace » tous les autres mots de passe des sites sur lesquels l'utilisateur s'enregistre avec OmniPass.

**Exemple :** Un utilisateur, Jean, installe OmniPass sur son ordinateur de maison et inscrit un utilisateur OmniPass avec le nom d'utilisateur « Jean\_01 » et le mot de passe « freq14 ». Il se rend ensuite sur son site Internet de courriel pour ouvrir une session dans son compte. Il entre, comme d'habitude, son nom d'utilisateur et son mot de passe (par exemple, « Jean\_02 » et « lifebook »), mais demande à OmniPass de **Mémoriser le mot de passe** au lieu de cliquer sur Ouvrir session. Dorénavant, chaque fois qu'il retournera sur ce site, OmniPass l'invitera à fournir ses informations d'identification.

Jean saisira alors les informations OmniPass (« Jean\_01 » et « freq14 ») dans l'invite d'authentification d'OmniPass et pourra accéder à son compte de courriel. Il peut répéter cette opération avec autant de sites Web ou de ressources protégées par mot de passe qu'il le souhaite et pourra accéder à tous ces sites à l'aide de ses informations d'identification d'utilisateur OmniPass (« Jean\_01 » et « freq14 »). Pour ce faire, il devra utiliser le système sur lequel il s'est enregistré à titre d'utilisateur OmniPass. En fait, OmniPass ne change pas les informations d'identification de la ressource protégée par mot de passe. Si Jean veut accéder à son courriel depuis un ordinateur sur lequel le compte OmniPass n'existe pas, il devra saisir ses informations d'identification originales (« Jean\_02 » et « lifebook »). Dans ce cas, s'il tente d'utiliser ses informations d'identification OmniPass, l'accès au site lui sera refusé.



CETTE PROCÉDURE D'ENREGISTREMENT REPOSE SUR L'HYPOTHÈSE QUE VOUS NE VOULEZ INTÉGRER À OMNIPASS AUCUN PÉRIPHÉRIQUE D'AUTHENTIFICATION OU AUTRE EMPLACEMENT DE STOCKAGE. SI VOUS SOUHAITEZ DISPOSER DE CETTE FONCTIONNALITÉ, CONSULTEZ LES SECTIONS CORRESPONDANTES DU PRÉSENT DOCUMENT.

## Enregistrement de base

L'Assistant d'enregistrement vous guidera à travers les étapes d'enregistrement d'un utilisateur. Sauf indication contraire de votre part, l'Assistant d'enregistrement sera lancé après l'installation d'OmniPass au moment de l'ouverture d'une session Windows. Si l'assistant n'apparaît pas, vous pouvez le lancer en cliquant sur **Démarrer** dans la barre de tâches Windows. Sélectionnez ensuite **Programmes**, puis **Softex** et cliquez sur **Assistant d'enregistrement OmniPass**.

- 1 Cliquez sur **Enregistrement** pour procéder à la vérification de l'utilisateur et du mot de passe. Par défaut, l'Assistant d'enregistrement entre les informations d'identification de l'utilisateur Windows actuellement connecté.
- 2 Entrez le mot de passe qui vous sert à ouvrir une session dans Windows. Il deviendra le « mot de passe principal » de cet utilisateur. Dans la plupart des cas, la valeur de **Domaine** : correspondra au nom de votre ordinateur Windows. Dans un environnement d'entreprise, ou lorsque vous accédez à des ressources professionnelles, il se peut que **Domaine** : ne corresponde pas au nom de votre ordinateur. Cliquez sur [Suivant] pour continuer.
- 3 Au cours de cette étape, OmniPass prend votre empreinte digitale. Pour de plus amples informations, reportez-vous à « Capteur d'empreintes digitales » en page 158.
- 4 Ensuite, choisissez comment OmniPass doit vous avertir de différents événements. Nous vous recommandons de laisser **Astuces de la barre de tâches** sur **Astuces de la barre des tâches en mode débutant** et **Invites audio** sur au moins **Invite avec signaux sonores uniquement**, jusqu'à ce que le fonctionnement d'OmniPass vous soit familier. Cliquez sur [Suivant] pour continuer la procédure d'enregistrement de l'utilisateur. Un écran de félicitations, indiquant que l'enregistrement de l'utilisateur est terminé, apparaîtra.
- 5 Cliquez sur [Terminé] pour quitter l'assistant d'enregistrement. Il vous sera demandé si vous voulez vous connecter à OmniPass avec les informations d'utilisateur nouvellement enregistrées. Cliquez sur [Oui].

## Capteur d'empreintes digitales

L'enregistrement d'une empreinte digitale augmentera la sécurité de votre système et simplifiera la procédure d'authentification.

L'enregistrement des empreintes digitales se fait à partir du Centre de contrôle OmniPass. Après vous être connecté à titre d'utilisateur OmniPass, faites un double clic sur l'icône OmniPass dans la zone de notification. Sélectionnez l'onglet **Paramètres utilisateur**, puis cliquez sur **Enregistrement** dans la zone **Paramètres utilisateur**. Cliquez sur **Enregistrer le périphérique d'authentification** et authentifiez-vous à l'invite d'authentification d'OmniPass. Le système ouvre la procédure d'enregistrement du périphérique.

- 1 Pendant la procédure d'enregistrement initial de l'utilisateur, vous serez invité à sélectionner le doigt qui sera enregistré. Les doigts déjà enregistrés seront marqués d'un crochet vert. Le doigt sélectionné pour l'enregistrement sera marqué d'une flèche rouge. OmniPass vous permet de réenregistrer un doigt. Si vous choisissez un doigt qui a déjà été enregistré et que vous poursuivez la procédure d'enregistrement, OmniPass enregistre l'empreinte digitale actuelle à la place de l'ancienne empreinte. Sélectionnez un doigt à enregistrer et cliquez sur [Suivant].
- 2 Il est temps pour OmniPass de prendre l'empreinte que vous avez choisie. Plusieurs tentatives peuvent être nécessaires avant qu'OmniPass prenne votre empreinte digitale. Si OmniPass n'y parvient pas ou si l'écran de capture de l'empreinte digitale expire, cliquez sur [Précédent] pour redémarrer le processus d'enregistrement d'empreinte digitale.

Votre système est équipé d'un capteur d'empreintes digitales « à glissement ». Les capteurs à glissement sont de taille réduite et ressemblent à un mince rectangle allongé. Pour prendre une empreinte digitale, faites glisser ou tirez doucement **vers vous** le bout de votre doigt sur le capteur (à partir de la deuxième articulation). Un glissement trop rapide ou trop lent pourrait faire échouer la prise d'empreintes. L'écran **Choisir un doigt** dispose d'un bouton [Pratique] ; cliquez dessus pour pratiquer la prise de votre empreinte digitale. Lorsque vous maîtrisez la prise d'empreintes digitales, vous pouvez procéder à l'enregistrement d'un doigt.

- 3 3. Lorsque OmniPass a correctement pris l'empreinte digitale, l'écran **Vérifier l'empreinte digitale** s'affiche automatiquement. Pour vérifier l'enregistrement de votre empreinte, placez le bout de votre doigt sur le capteur comme lors d'une prise d'empreinte digitale. Si l'empreinte a été vérifiée avec succès, une empreinte digitale verte apparaît dans la fenêtre de prise et le texte **Vérification réussie** s'affiche en dessous.
- 4 Après avoir enregistré et vérifié votre empreinte digitale, vous aurez la possibilité d'**Activer la PBA avec le doigt enregistré** (Enable PBA with enrolled finger). Si vous activez cette option, vous devez choisir deux doigts qui seront enregistrés dans la procédure PBA. Si l'enregistrement est réussi, l'écran **Statut d'enregistrement du doigt dans la procédure PBA** indiquera « Enregistrement du doigt réussi pour la procédure PBA ».



SI VOUS ACTIVEZ LA PBA SUR VOTRE SYSTÈME, VOUS DEVEZ DÉFINIR UN MOT DE PASSE UTILISATEUR ET UN MOT DE PASSE SUPERVISEUR DANS LES PARAMÈTRES DE DÉMARRAGE. POUR DE PLUS AMPLES INFORMATIONS, REPORTEZ-VOUS À VOIR « MOTS DE PASSE D'ACCÈS AU DISQUE DUR » EN PAGE 47.

## Utilisation d'OmniPass

Vous pouvez maintenant commencer à utiliser OmniPass. Son utilisation régulière vous permettra de simplifier vos procédures d'authentification.

### Remplacement du mot de passe

Vous utiliserez souvent la fonction de remplacement du mot de passe. Lorsque vous allez sur un site Internet à accès restreint (par exemple, de votre banque, de votre courrier électronique, de paiement ou d'enchères en ligne), vous serez toujours invité à entrer vos références de connexion. OmniPass peut détecter ces invites et vous pouvez lui « enseigner » à enregistrer vos références. La prochaine fois que vous visiterez un de ces sites, vous pourrez vous authentifier à l'aide de votre empreinte digitale pour y accéder.

### Barre d'outils d'authentification OmniPass

Après avoir installé OmniPass et redémarré votre ordinateur, vous remarquerez la présence d'une nouvelle boîte de dialogue au début de votre session Windows. Il s'agit de la barre d'outils d'authentification OmniPass. Celle-ci s'affiche chaque fois que le système d'authentification est appelé. Ce système peut être appelé fréquemment : pendant l'ouverture d'une session Windows, lors de la connexion à OmniPass, lorsque vous déverrouillez votre poste de travail, lorsque vous reprenez le système depuis le mode sommeil ou veille prolongée, lorsque vous déverrouillez un économiseur d'écran activé par mot de passe, lors du remplacement du mot de passe d'un site mémorisé ou des noms de connexion d'applications. Lorsque cette barre d'outils s'affiche, le système vous invite à vous authentifier.

La fenêtre **Authentification de la connexion** indique la fonction restreinte par OmniPass à laquelle vous tentez de vous connecter. Les icônes en bas à gauche (empreinte digitale et clé) indiquent les méthodes d'authentification disponibles. Les méthodes sélectionnées sont en surbrillance, contrairement aux méthodes non sélectionnées. Lorsque vous cliquez sur l'icône pour obtenir une méthode d'authentification non sélectionnée, l'invite d'authentification associée à cette méthode s'affiche.

À l'invite d'authentification, vous devez fournir les informations d'identification appropriées : un doigt enregistré dans la fenêtre d'empreintes digitales ou votre mot de passe principal dans la case de mot de passe principal (l'icône en forme de clé).

### Mémorisation d'un mot de passe

OmniPass peut mémoriser toute application, toute interface graphique ou toute autre ressource protégée par un mot de passe.

À l'aide de la procédure suivante, vous pourrez sauvegarder dans OmniPass toutes les informations permettant de vous identifier. Ces informations seront ensuite associées à votre « mot de passe principal » ou à votre empreinte digitale.



Allez sur un site comportant une procédure de connexion (nom d'utilisateur et mot de passe), mais *ne vous connectez pas tout de suite*. À l'invite de connexion au site, entrez votre nom d'utilisateur et votre mot de passe dans les champs appropriés, mais *n'entrez pas sur le site* (n'appuyez pas sur [Entrer], [Soumettre], [OK], ou Connexion). Cliquez avec le bouton droit de la souris sur l'icône OmniPass de la zone de notification et sélectionnez **Mémoriser le mot de passe** dans le sous-menu. Le curseur fléché Windows devient un curseur OmniPass en forme de clé dorée. Cliquez sur ce curseur dans la zone d'invite de connexion, mais ne cliquez pas sur le bouton [Connexion] ou [Envoyer].

### Association d'un nom convivial

Après avoir cliqué sur le curseur en forme de clé près de l'invite de connexion, OmniPass vous invitera à entrer un « nom convivial » pour ce site. Vous devez entrer un terme qui vous rappelle le site Internet, la société ou le service auquel vous vous connectez. Dans sa base de données sécurisée, OmniPass associe ce nom convivial au site Internet.

### Paramètres supplémentaires pour mémoriser un site

Lorsque vous êtes invité à entrer un « nom convivial », vous pouvez définir la manière dont OmniPass vous authentifie sur ce site. Trois choix sont à votre disposition pour chaque site mémorisé par OmniPass.

Le paramètre par défaut est **Cliquer automatiquement sur le bouton « OK » ou « Soumettre » pour ce site protégé par mot de passe une fois l'utilisateur authentifié**. Avec ce paramètre, chaque fois que vous accédez à ce site, OmniPass vous demandera votre mot de passe principal ou votre périphérique d'authentification d'empreintes digitales. Lorsque votre authentification est complétée par OmniPass, vous êtes automatiquement connecté au site.

La deuxième option est moins sécuritaire : **Entrer automatiquement sur ce site protégé par mot de passe lorsqu'il est activé. Ne pas demander d'authentification**. Cochez la case supérieure pour sélectionner ce choix. Ensuite, chaque fois que vous vous connectez à ce site, OmniPass vous donnera accès sans vous demander de vous authentifier.



CE PARAMÈTRE EST PLUS PRATIQUE CAR DÈS QUE VOUS DEMANDEZ UN SITE QUI Y EST ASSOCIÉ, VOUS SAUTEZ LA PROCÉDURE D'AUTHENTIFICATION ET VOUS ACCÉDEZ INSTANTANÉMENT AU SITE. CÉPENDANT, SI VOUS LAISSEZ VOTRE ORDINATEUR SANS SURVEILLANCE AVEC VOTRE CONNEXION OMNI-PASS ACTIVÉE, TOUTE PERSONNE UTILISANT VOTRE SYSTÈME PEUT ENTRER SUR LES SITES PROTÉGÉS EN USURPANT VOTRE IDENTITÉ.

Si vous désélectionnez les deux cases dans **Paramètres pour ce site protégé par mot de passe**, OmniPass vous demande votre mot de passe principal ou votre périphérique d'authentification. Lorsque votre authentification est complétée par OmniPass, vos informations d'identification s'affichent à l'invite de connexion du site. Toutefois, vous devez cliquer sur le bouton [OK], [Envoyer] ou [Connexion] pour accéder au site.

Cliquez sur **Terminer** pour achever la procédure de mémorisation du mot de passe. L'emplacement du site, les informations d'identification pour y accéder et les paramètres d'authentification OmniPass correspondant à ce site sont désormais sauvegardés dans la base de données sécurisée d'OmniPass. Les paramètres d'authentification d'OmniPass (**Paramètres pour ce site protégé par mot de passe**) peuvent toujours être modifiés dans **Gestion du coffre-fort**.

### Connexion à un site mémorisé

Selon les informations contenues dans **Paramètres pour ce site protégé par mot de passe**, OmniPass vous invitera ou non à vous authentifier lorsque vous retournerez à un site mémorisé. Ces informations peuvent être modifiées dans **Gestion du coffre-fort**.

Les cas suivants s'appliquent à l'utilisation d'OmniPass pour se connecter à : Windows, aux sites mémorisés et à toutes les autres ressources protégées par mot de passe.

### Avec mot de passe principal

Lorsque vous retournez à un site mémorisé avec OmniPass, il se peut que le système vous demande un mot de passe principal. Entrez votre mot de passe principal et vous serez autorisé à accéder au site.

### Connexion à Windows avec un capteur d'empreintes digitales

Lorsque vous vous connectez à Windows à l'aide d'un capteur d'empreintes, la fenêtre de prise d'empreintes digitales apparaît à côté de l'écran de connexion Windows. Placez votre doigt enregistré sur le capteur pour que le système vous identifie. Vous serez simultanément connecté à Windows et OmniPass. La fenêtre de prise d'empreinte s'affiche également si vous avez utilisé **Ctrl-Alt-Suppr** pour verrouiller le système. En outre, le capteur d'empreintes peut être utilisé pour vous reconnecter, comme indiqué ci-dessus.



SI UN ORDINATEUR EST VERROUILLÉ ET QU'OMNIPASS DÉTECTE UN UTILISATEUR DIFFÉRENT SE RECONNECTANT AVEC SON EMPREINTE DIGITALE, LE PREMIER UTILISATEUR SERA DÉCONNECTÉ ET LE SECOND CONNECTÉ.

### Gestion des mots de passe

OmniPass propose une interface qui vous permet de gérer vos mots de passe. Pour accéder à cette interface graphique, cliquez deux fois sur la clé OmniPass dans la zone de notification. Cliquez sur **Gestion du coffre-fort**; vous serez invité à vous authentifier. Lorsque vous avez accès à **Gestion du coffre-fort**, cliquez sur **Gérer les mots de passe** sous **Paramètres du coffre-fort**. L'interface **Gérer les mots de passe** apparaît avec une liste de noms conviviaux.

Si vous désirez afficher les informations d'identification sauvegardées pour un site Internet mémorisé, mettez en surbrillance la ressource souhaitée sous Boîte de dialogue **Protection par mot de passe** et cliquez sur **Afficher les valeurs**. En cas de réinitialisation d'un mot de passe ou d'expiration d'un compte, vous pouvez supprimer les informations d'identification sauvegardées dans OmniPass. Mettez en surbrillance la ressource souhaitée sous Boîte de dialogue '**Protection par mot de passe**', puis cliquez sur **Supprimer la page**. Vous serez invité à confirmer la suppression du mot de passe.

Les deux cases à cocher dans **Gérer les mots de passe** déterminent si OmniPass vous invite à vous authentifier ou vous connecte directement au site mémorisé.

Si vous tentez d'utiliser **Mémoriser le mot de passe** sur un site déjà connu, OmniPass efface les anciennes informations d'identification.

Le remplacement de votre mot de passe Windows constitue l'exception à la règle ci-dessus. Si votre mot de passe est réinitialisé dans Windows, le changement sera détecté par OmniPass qui vous invitera à « Mettre à jour » ou à « Reconfirmer » le mot de passe. Entrez votre nouveau mot de passe Windows dans l'invite, puis cliquez sur **OK**. Votre « mot de passe principal » OmniPass sera toujours votre mot de passe Windows.

### Identités d'utilisateur OmniPass

Les identités permettent aux utilisateurs OmniPass de posséder plusieurs comptes sur un même site (par exemple, *claud@biblomail.com* et *claudepicard@biblomail.com*). Si OmniPass ne vous a pas fourni d'identités, vous ne pourrez mémoriser qu'un seul compte par site.

Pour créer et gérer des identités, cliquez deux fois sur la clé OmniPass dans la zone de notification. Cliquez sur **Gestion du coffre-fort**. OmniPass vous invite à vous authentifier. Lorsque vous avez accédé à **Gestion du coffre-fort**, cliquez sur **Gérer les identités** sous **Paramètres du coffre-fort**. Vous pouvez seulement gérer les identités de l'utilisateur OmniPass actuellement connecté.

Pour ajouter une nouvelle identité, cliquez sur **Nouvelle identité** ou double-cliquez sur **Cliquer ici pour ajouter une nouvelle identité**. Nommez la nouvelle identité et cliquez sur [OK], puis sur [Appliquer]. Vous pouvez désormais basculer vers la nouvelle identité et démarrer la mémorisation des mots de passe.

Pour supprimer une identité, mettez en surbrillance l'identité à supprimer et cliquez sur [Supprimer l'identité], puis cliquez sur [Appliquer].



LORSQUE VOUS SUPPRIMEZ UNE IDENTITÉ, TOUS LES SITES MÉMORISÉS ET LES BOÎTES DE DIALOGUE « PROTECTION PAR MOT DE PASSE » ASSOCIÉS À L'IDENTITÉ SONT PERDUS.

Pour définir l'identité par défaut, mettez en surbrillance l'identité souhaitée puis cliquez sur [Définir par défaut] et cliquez sur [Appliquer] pour vérifier que les paramètres sont bien enregistrés. Si vous accédez à OmniPass à l'aide d'un capteur d'empreintes digitales, vous serez automatiquement connecté à l'identité par défaut de l'utilisateur OmniPass associé à l'empreinte. Si vous utilisez la procédure de connexion à l'aide du « mot de passe principal », vous pouvez choisir l'identité avec laquelle vous vous connectez.

### Choix de l'identité de l'utilisateur lors de la connexion

Pour choisir votre identité lors de la connexion, tapez votre nom d'utilisateur dans le champ **Nom d'utilisateur** : Appuyez sur [Tab] et assurez-vous que le champ **Domaine** : se remplit automatiquement. Cliquez sur le champ **Mot de passe** : pour pointer le curseur dessus et vous verrez le menu déroulant dans le champ **Identité** : Sélectionnez l'identité souhaitée puis cliquez sur **OK**.

### Changement d'identité de l'utilisateur

Pour changer les identités à tout moment, cliquez avec le bouton droit de la souris sur l'icône OmniPass dans la zone de notification, puis cliquez sur **Changer l'identité de l'utilisateur** dans le sous-menu. La boîte de dialogue **Changer d'identité** apparaît. Sélectionnez l'identité souhaitée puis cliquez sur **OK**.

### Gestion des mots de passe et des identités

Sur l'interface **Gérer les mots de passe** de l'onglet **Gestion du coffre-fort** du Centre de contrôle OmniPass, il existe une liste de sélection déroulante nommée **Identité**. Ce champ vous permet de choisir l'identité pour laquelle vous désirez gérer les mots de passe. Lorsque vous sélectionnez une identité dans cette liste, le système affiche seulement les boîtes de dialogue « Protection par mot de passe » associées à cette identité. Vous pouvez effectuer toutes les fonctions expliquées dans « Gestion des mots de passe » en page 162.

### Configuration d'OmniPass

Cette section vous donne un aperçu de la fonction Exportation/Importation et du Centre de contrôle OmniPass.

### Exportation et importation d'utilisateurs



VOUS NE POUVEZ PAS IMPORTER UN UTILISATEUR DANS OMNIPASS SI UN UTILISATEUR PORTANT LE MÊME NOM Y EST DÉJÀ ENREGISTRÉ.

Vous pouvez importer et exporter des utilisateurs dans et hors d'OmniPass à l'aide du Centre de contrôle. Le processus d'exportation permet de sauvegarder tous les sites mémorisés, les informations d'identification et les empreintes enregistrées d'un utilisateur OmniPass. Toutes les données OmniPass d'un utilisateur sont sauvegardées dans un fichier de base de données crypté unique. Durant le processus d'importation, vous devez utiliser les informations de connexion Windows de l'utilisateur exporté. Si les informations d'identification appropriées ne sont pas fournies, le profil utilisateur ne sera pas importé.



- VOUS DEVEZ EXPORTER PÉRIODIQUEMENT VOTRE PROFIL UTILISATEUR ET LE SAUVEGARDER DANS UN ENDROIT SÛR. S'IL DEVAIT ARRIVER QUELQUE CHOSE À VOTRE SYSTÈME, VOUS POUVEZ IMPORTER VOTRE PROFIL OMNIPASS SUR UN NOUVEAU SYSTÈME ET DISPOSER INSTANTANÉMENT DE TOUTS VOS PARAMÈTRES ET EMPREINTES DIGITALES MÉMORISÉS.
- N'OUBLIEZ PAS VOS INFORMATIONS D'IDENTIFICATION WINDOWS UTILISÉES LORS DE L'EXPORTATION. LORSQUE VOUS PROCÉDEZ À L'IMPORTATION D'UN PROFIL UTILISATEUR, OMNIPASS VOUS INVITE À VOUS AUTHENTIFIER. LES INFORMATIONS D'IDENTIFICATION PERMETTANT D'IMPORTER UN PROFIL SONT LES RÉFÉRENCES DE CONNEXION WINDOWS DE L'UTILISATEUR EXPORTÉ. CES RÉFÉRENCES SONT CELLES QU'IL FALLAIT SOUMETTRE LORSQUE LE PROFIL D'UTILISATEUR A ÉTÉ EXPORTÉ. VOUS AUREZ BESOIN DU NOM D'UTILISATEUR, DU MOT DE PASSE ET DU DOMAINE.

## Exporter un profil d'utilisateur OmniPass

Pour exporter un profil utilisateur, ouvrez le Centre de contrôle OmniPass et cliquez sur **Importer/exporter un utilisateur** sous **Gérer les utilisateurs**.

Cliquez sur **Exporter un profil utilisateur OmniPass**. OmniPass vous invitera à vous authentifier. Une fois l'authentification réussie, vous devez nommer le profil utilisateur OmniPass et décider où l'enregistrer. Un fichier .opi est généré et vous devez en sauvegarder une copie dans un endroit sûr.

Ce fichier .opi contient toutes vos données d'utilisateur OmniPass. Il est crypté et protégé par mot de passe. Ce profil utilisateur ne contient AUCUN de vos fichiers de données cryptés.

## Importer un profil d'utilisateur OmniPass

Pour importer un profil utilisateur, ouvrez le Centre de contrôle OmniPass et cliquez sur [Importer/exporter un utilisateur] sous Gérer les utilisateurs. Cliquez sur [Importer un nouvel utilisateur dans OmniPass], sélectionnez « Fichier d'importation/exportation OmniPass » (\*.opi) puis cliquez sur [Suivant]. OmniPass vous invite ensuite à rechercher le fichier exporté auparavant (fichier .opi). Lorsque vous sélectionnez le fichier .opi pour l'importer, OmniPass vous invite à vous authentifier. Les informations d'identification permettant d'importer un profil sont les références de connexion Windows de l'utilisateur exporté. Ces références sont celles qu'il fallait soumettre lorsque le profil d'utilisateur a été exporté. Vous aurez besoin du Nom d'utilisateur, du Mot de passe et du Domaine. Si vous avez oublié la valeur pour Domaine, celle-ci doit correspondre au nom de votre ordinateur dans un environnement PC ou SOHO.

OmniPass vous informe si le profil utilisateur a été correctement importé.

## Informations importantes sur les opérations d'importation et d'exportation

- Supposons que vous exportez un profil d'utilisateur Windows local depuis OmniPass. Vous voulez importer ce profil sur un autre ordinateur doté d'OmniPass. Avant de pouvoir importer le profil, un utilisateur Windows avec les mêmes références de connexion doit être créé sur l'ordinateur important le profil.

**Exemple :** J'ai un utilisateur Windows avec le nom d'utilisateur « Thomas » et le mot de passe « Soleil » sur mon système. J'ai enregistré « Thomas » dans OmniPass et mémorisé des mots de passe. Je veux transférer tous mes mots de passe vers le nouveau système. J'exporte le profil utilisateur OmniPass de Thomas. J'accède à mon nouveau système et à l'aide du panneau de configuration, je crée un utilisateur avec le nom d'utilisateur « Thomas » et le mot de passe « Soleil ». Je peux maintenant importer les données utilisateur OmniPass dans le nouveau système.

- Si vous exportez un utilisateur propre à OmniPass, vous pouvez importer cet utilisateur dans tout ordinateur exécutant OmniPass, à condition qu'un utilisateur portant le même nom n'y soit pas déjà enregistré.
- Si vous tentez d'importer un profil utilisateur portant le même nom qu'un utilisateur déjà enregistré dans OmniPass, le processus d'importation échoue.

## Centre de contrôle OmniPass

Cette section a pour but de présenter les fonctions du Centre de contrôle OmniPass qui n'ont pas été expliquées auparavant.

Vous pouvez accéder au Centre de contrôle OmniPass de trois façons :

- Double-cliquez sur l'icône OmniPass en forme de clé dorée dans la zone de notification Windows (généralement située dans le coin inférieur droit du bureau).
- Cliquez sur le bouton **Démarrer**, sélectionnez **Tous les programmes**, puis le groupe de programmes **Softex** et enfin cliquez sur la sélection **Centre de contrôle OmniPass**.
- Ouvrez le **Panneau de configuration** Windows (accessible à partir du bouton [Démarrer] -> **Paramètres** -> **Panneau de configuration**) et double-cliquez sur l'icône **Softex OmniPass**.

## Gestion des utilisateurs

L'onglet « Gestion des utilisateurs » comporte deux interfaces principales : **Ajouter/supprimer un utilisateur** et **Importer/exporter un utilisateur**. La fonctionnalité Importer/exporter un utilisateur est expliquée dans « Exportation et importation d'utilisateurs » en page 164. La fonctionnalité Ajouter/supprimer un utilisateur est explicite.

Si vous cliquez sur **Ajouter un nouvel utilisateur à OmniPass**, vous démarrez l'Assistant d'enregistrement OmniPass. L'Assistant d'enregistrement est expliqué dans « Enregistrement des utilisateurs » en page 157.

Si vous cliquez sur **Supprimer un utilisateur OmniPass**, vous êtes invité à vous authentifier. Authentifiez-vous à l'aide des informations d'identification (ou de l'empreinte digitale enregistrée) de l'utilisateur à supprimer. OmniPass vous invite à confirmer la suppression de l'utilisateur. Cliquez sur **OK** pour terminer le processus de suppression.



LA SUPPRESSION D'UN UTILISATEUR DÉTRUIT AUTOMATIQUEMENT TOUTES LES DONNÉES OMNIPASS ASSOCIÉES À CET UTILISATEUR. TOUTES LES IDENTITÉS ET TOUTES LES INFORMATIONS D'IDENTIFICATION DE L'UTILISATEUR SERONT PERDUES.

SI VOUS ÊTES CERTAIN DE DEVOIR SUPPRIMER L'UTILISATEUR, NOUS VOUS RECOMMANDONS D'EXPORTER LE PROFIL UTILISATEUR.

## Paramètres utilisateur

L'onglet « Paramètres utilisateur » comporte trois interfaces : **Paramètres audio**, **Astuces de la barre de tâches** et **Enregistrement**. Les paramètres utilisateur permettent aux utilisateurs de personnaliser OmniPass pour répondre à leurs préférences individuelles. Sous **Paramètres utilisateur (Paramètres audio et Astuces de la barre de tâches)**, vous pouvez configurer la manière dont OmniPass informe l'utilisateur des événements d'OmniPass (par exemple, connexion réussie, accès refusé, etc.). Les détails de chaque paramètre sous les interfaces **Paramètres audio** et **Astuces de la barre des tâches** sont explicites.

L'interface **Enregistrement** vous permet d'enregistrer des empreintes digitales. Si vous désirez des informations sur la procédure d'enregistrement d'un périphérique d'authentification, reportez-vous au *Chapitre 2.3*. Pour enregistrer des empreintes digitales supplémentaires, cliquez sur **Enregistrer un périphérique d'authentification** et authentifiez-vous dans OmniPass. Sélectionnez le périphérique de reconnaissance d'empreintes digitales dans l'écran **Sélectionner un périphérique d'authentification** (il doit être déjà marqué d'une coche verte si vous avez enregistré un doigt), puis cliquez sur **Suivant**.

## Paramètres de système

Vous trouverez l'interface **Options de démarrage** dans l'onglet « Paramètres de système ». Les options de cette interface vous permettent de spécifier la manière dont votre ouverture de session OmniPass est associée à votre ouverture de session Windows.

La première option, **Se connecter automatiquement à OmniPass en tant qu'utilisateur actuel**, est explicite. Lors de l'ouverture d'une session Windows, vous êtes connecté à OmniPass à l'aide de vos références de connexion Windows. Si l'utilisateur ouvrant une session Windows n'a jamais été enregistré dans OmniPass, personne n'est connecté à OmniPass au moment de la connexion. Ce paramètre convient à une configuration de bureau ou à toute configuration nécessitant la saisie d'un nom d'utilisateur et d'un mot de passe pour utiliser l'ordinateur. Il s'agit du paramètre par défaut.

Avec la deuxième option, **Se connecter manuellement à OmniPass au démarrage**, OmniPass vous invite à vous connecter une fois que vous avez ouvert une session Windows.

Si vous choisissez la troisième option, **Ne pas se connecter à OmniPass au démarrage**, OmniPass n'invite pas l'utilisateur à se connecter.

Vous pouvez vous connecter manuellement à OmniPass en cliquant avec le bouton droit de la souris sur l'icône d'OmniPass dans la zone de notification et sur **Connecter l'utilisateur** dans le menu généré.

## Dépannage

Vous ne pouvez pas utiliser OmniPass pour créer des utilisateurs Windows. Vous devez d'abord créer l'utilisateur Windows, ce qui nécessite des droits d'administrateur. Une fois l'utilisateur Windows créé, vous pouvez l'ajouter dans OmniPass avec le même nom d'utilisateur et le même mot de passe.

### Impossible d'ajouter des utilisateurs Windows dans OmniPass

Si vous rencontrez des difficultés pour ajouter un utilisateur Windows dans OmniPass, vous devrez peut-être modifier vos paramètres de sécurité locale. Pour ce faire, allez à **Démarrer, Panneau de configuration, Outils d'administration** et **Paramètres de sécurité locale**. Ouvrez **Stratégies locales** et **Options de sécurité**, puis double-cliquez sur **Accès réseau : Modèle de partage et de sécurité pour les comptes locaux**. La configuration correcte doit être *Classique – Les utilisateurs locaux s'authentifient eux-mêmes*.

### Impossible d'ajouter un utilisateur avec un mot de passe vide dans OmniPass

Si vous rencontrez des difficultés pour ajouter un utilisateur avec un mot de passe vide dans OmniPass, vous devrez peut-être modifier vos paramètres de sécurité locale. Essayez d'abord la procédure expliquée dans la section *Impossible d'ajouter un utilisateur Windows dans OmniPass*. Si le problème persiste, essayez la procédure suivante.

Cliquez sur **Démarrer, Panneau de configuration, Outils d'administration** et **Paramètres de sécurité locale**. Ouvrez **Stratégies locales** et **Options de sécurité**, puis double-cliquez sur **Comptes : restreindre l'utilisation de mots de passe vierges par le compte local à l'ouverture de session console**. Ce paramètre doit être configuré sur Désactivé.



## **Durant la procédure d'ouverture d'une session Windows, une boîte de dialogue s'affiche après l'authentification OmniPass**

Après avoir installé OmniPass sur votre système, vous pouvez choisir de vous connecter à Windows à l'aide d'OmniPass. Vous vous authentifiez avec OmniPass (à l'aide du mot de passe principal ou d'un périphérique de sécurité enregistré) et OmniPass vous connecte à Windows. Au cours du processus d'authentification, il se peut que la boîte de dialogue **Erreur de connexion** s'affiche.

Cette boîte de dialogue apparaît si OmniPass n'a pas réussi à vous connecter à Windows à l'aide des informations d'identification fournies (nom d'utilisateur et mot de passe). Ceci peut arriver dans les circonstances suivantes :

- Votre mot de passe Windows a changé.
- Votre compte Windows a été désactivé.

Si vous rencontrez des difficultés à cause de la première raison, vous devrez mettre à jour OmniPass avec votre mot de passe de compte Windows modifié. Cliquez sur **Mettre à jour le mot de passe** et une boîte de dialogue vous invitera à reconfirmer votre mot de passe.

Entrez le nouveau mot de passe Windows et cliquez sur **OK**. Si l'erreur persiste, il est peu probable que le problème soit dû à la modification de votre mot de passe Windows.

# Index

---

## A

À propos de ce guide 1, 8

Adaptateur

secteur 41

Adaptateur auto/avion 41

adaptateurs

de fiches 109

Alimentation

Adaptateur auto/avion 41

Adaptateur secteur 41

allumer 45

éteindre 52

gestion 50

problèmes 91

sources 41

voyant 20

Auto-diagnostic de mise sous tension 46, 94

## B

Batterie 55

alarme 57

augmentation de la longévité 110

batterie au lithium 55

conservation de l'énergie 50

court-circuitée 57

défectueuse 90

entretien 109

épuisée 90

faible 57

mode veille 57

niveau de charge 21

problèmes 90, 91

remplacement 58

remplacement hors tension 58

BIOS

Guide 47

utilitaire de configuration 47

Bluetooth

Informations supplémentaires 151

Bouton d'alimentation/veille/reprise 13, 45, 50

Bouton Soutien 13, 38

Boutons

Touchpad 26

## C

Câble de sortie c.c. 41

Capteur d'empreintes digitales

barre d'outils d'authentification OmniPass 160

connexion à un site mémorisé 162

Désinstallation d'OmniPass 156

enregistrement d'une empreinte digitale 158

Enregistrement des utilisateurs 157

mémorisation d'un mot de passe 160

première mise en marche 154

remplacement du mot de passe 160

utilisation d'OmniPass 160

Capteur d'empreintes digitales 153

- Carte ExpressCard
  - problèmes 89
  - retirer 70
- Carte Memory Stick
  - installation 67
  - retrait 67
- Carte réseau ans fil
  - Connexion au réseau 146
- Carte réseau sans fil
  - Avant d'utiliser la carte réseau sans fil 141
  - dépannage 147
  - Spécifications 149
- Carte SD
  - installation 67
  - retrait 67
- Carte Secure Digital
  - retrait 67
- CD-ROM 87
- Centre de soutien Fujitsu 38
- Clavier 14, 23
  - problèmes 87
- Cliquer 27
- Commande 26
- Commandes du pavé tactile
  - Touchpad 31
- Commandes et connecteurs 12
- Compartment
  - de mémoire 19, 71
- Compartment de batterie au lithium 19
- Compartment multifonction 17, 33
  - Graveur de DVD multiformat modulaire 60
  - installation 33
  - remplacement hors tension 34
  - retrait 33
- Configuration 146

- Conventions utilisées dans ce guide 8
- Coordonnées pour contacter Fujitsu 9

## **D**

- Déballage 11
- Dépannage 83
- DIMM 71
- Disque dur
  - problèmes 87
- Double-cliquer 28
- Duplicateur de ports
  - connecteur 19
  - désinstallation 81
  - installation 81
  - problèmes 87

## **E**

- Écran 14, 42
  - fermeture 43
  - problèmes 92
- Emplacement du commutateur Marche/Arrêt de la carte réseau local sans fil 13
- Enregistrement 49
  - et d'applications 36
- Étiquette de configuration 112

## **F**

- Fente de dispositif antivol 17
- Fonction de veille prolongée 51

## **G**

- Garantie 10
- Gestion de l'alimentation 50
- Glisser 28
- Grilles de ventilation 19

## H

Haut-parleurs incorporés 86  
Haut-parleurs stéréo 13

## I

Installation 68

## L

Lecteur de DVD  
  ouverture du plateau 63  
  problèmes 86, 87  
Lecteur multimédia  
  entretien 111  
  installation d'un disque 61  
  logiciels 60, 63  
  panneau de configuration 64  
  retrait d'un disque 63  
  utilisation 64  
Lecteur optique 60  
Logiciels pré-installés 118  
Logiciels préinstallés  
  Adobe Acrobat Reader 119  
  barre d'outils Google 120  
  manuels 119  
Loquet  
  de l'écran 13  
Luminosité  
  de l'écran 42

## M

Mémoire  
  capacité 73  
  installation 71  
  module de mémoire additionnelle 71  
  problèmes 88  
  retrait 72, 73

Messages d'erreurs 94  
Mode sommeil (veille) 50

## O

Ordinateur Fujitsu LIFEBOOK  
  stockage 106, 108  
  voyager 108  
Ouverture  
  de l'écran 42  
Ouverture d'urgence du plateau 17

## P

Pavé numérique du  
  clavier 23  
Pavé tactile  
  Voir Touchpad 26  
Pavé tactile Touchpad 13, 26  
Périphériques modulaires 33  
  installation 33  
  retrait 33  
Périphériques pour le compartiment  
  multifonction 33  
Port de connexion 78  
Port pour moniteur externe 17, 78  
Ports de périphériques 74, 115  
Ports USB (Universal Serial Bus) 75  
Ports USB 2.0 17  
Prise d'alimentation c.c. 41  
Prise d'écouteurs 76  
Prise de micro 77  
Prise de réseau local (RJ-45) 17  
Prise de réseau local interne 74  
Procédure d'amorçage 46

## R

Recharge  
des batteries 56  
Redémarrage 52  
Réglage  
de l'écran 42  
Réglage du volume 32  
Remplacement hors tension 34, 58  
Restaurer vos logiciels pré-installés 95  
RJ-45 74

## S

SDRAM 19, 71  
Souris  
problèmes 87  
Spécifications 112  
Alimentation 117  
Audio 114  
Clavier 116  
Dimensions et poids 117  
Environnement requis 117  
Mémoire 113  
Microprocesseur 113  
Puce 113  
vidéo 113

## T

Tableau d'applications LIFEBOOK  
configuration 37  
lancer des applications 37  
Tableau de sécurité 36  
Tableau de sécurité et d'applications LifeBook 13  
Tableau de voyants d'état 13, 20

Touche de fonction

F10 25  
F3 25  
F4 25  
F6 25  
F7 25  
F8 25, 32  
F9 25, 32  
FN 25

Touches de défilement 24

Touches de défilement du  
clavier 24

Touches de fonction du  
clavier 24

Touches Windows 24

Touche d'application 24

Touches de démarrage 24

Touches Windows du  
clavier 24

## U

USB 75  
problèmes 88

## V

Veille prolongée  
activation/désactivation 51

Verr défil 22

Verr maj 22

Verr num 22

Voyant

d'accès au disque dur 22