

Contents

Getting Started	2
Background Regarding Dry Firing	2
On Range Practice	2
Consideration of Others When Dry Firing.....	2
Turning On and Off the Take-Up Indicator.....	3
Adjusting lasers	4
Adjusting the Green Laser.....	4
Adjusting Vertical.....	4
Adjusting Windage.....	4
Adjusting the Red Laser	5
Adjusting Vertical.....	5
Adjusting Windage.....	5
Changing the Battery.....	6
Adjusting the Trigger.....	7
Initial Trigger Location	8
Trigger Over-Travel Location.....	9
Trigger Break Location	10
Trigger Take-Up Force.....	11
Trigger Break Force.....	12
Degree of Sear Engagement.....	13
General Considerations when Training with Lasers	14
Considerations for Beginners to Advanced Shooters.....	14
Shooting off the reset	14
Taking Up the Slack When Transitioning to a Target	14
Identifying Over-Transitions When Acquiring a Target.....	15
Identifying Trigger Mechanic Issues	15
Advanced Shooters	15
Things to watch out for when Training with the SIRT	16
Walking-in Shots.....	16
Inverting the Red and Green Lasers	16
General Maintenance	17
Adjusting Magazine Weight.....	17
Trouble Shooting	19
The red laser does not come on when I prep the trigger.....	19
The green laser does not come on when the shot is broken.....	19
Next Level Training SIRT™ Warranty.....	20
Contact	20

©NextLevel Training, All Rights Reserved. Manual contents current as of May 2011.

NextLevel Training, LLC is not affiliated with Glock, Inc. Please check the website (www.nextleveltraining.com/manual) for periodic updates.

SIRT Training Pistol Models:

- SIRT Training Pistol 110 Pro - Red/Green lasers
- SIRT Training Pistol 110 Trainer - Red/Red lasers

Getting Started:

- Pick up the SIRT.
- Establish a solid grip.
- Identify target.
- Prep the trigger and break a shot.

Background Regarding Dry Firing:

1. ALWAYS keep the SIRT pointed in a safe direction.
2. ALWAYS keep your finger off the trigger until ready to shoot.
3. ALWAYS keep the gun unloaded until ready to use.
4. ALWAYS be aware of your target and what's behind it.

Please follow all basic principle rules regarding dry firing practice. The SIRT Training Pistol is an inert pistol and cannot fire a real round. However, the SIRT Pistol emulates the functional features of real firearms for the most beneficial training effects. When dry firing, do not have a loaded, real pistol in the vicinity, or any ammunition.

When dry firing off of the range be sure to clear the room of ALL ammunition even when only dry firing with the SIRT Training Pistol.

If dry firing in conjunction with your live fire gun conduct safety check of all firearms. Open the action, look and feel the magwell and chamber.

On Range Practice:

When on the range, it is beneficial to train trigger mechanics with the SIRT Training Pistol in between live fire drills. In this environment, treat the SIRT Training Pistol completely as a real gun, and follow the four basic rules at all times. If you are holstering the SIRT, be sure to slide lock your real firearm without a magazine when placing it down for temporary storage. Again, absolutely treat the SIRT as though it were a real firearm when on the range.

Consideration of Others When Dry Firing:

Be sure any individual that may be watching you when dry firing is aware that you are engaged in dry fire practice. Although the SIRT has cosmetic and color distinctions, your overall body movements and the general functional shape of the SIRT will give a potential

appearance of firing a pistol. Although the SIRT is extremely conducive for training in many areas and opens up opportunities to train, use extreme discretion when handling the SIRT Training Pistol and be aware of potential observers.

Turning On and Off the Take-Up Indicator

- Flip the top toggle switch, as shown in Figure 1, backward to activate the red take-up indicator. Be sure to position the switch all the way rearward to activate the take up indicator laser. When you only want the shot indicator (green laser), flip the switch forward.
- During most of your training, the take up indicator is turned off.

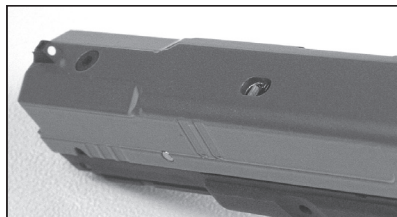
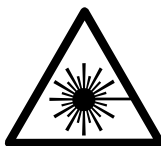


Figure 1: Location of Laser Take Up Indicator Switch



CAUTION

LASER RADIATION
AVOID DIRECT EYE EXPOSURE
5mW Max, 532nm wavelength (Green)
5mW Max, 650nm wavelength (Red)
Class IIIa Lasers

Adjusting lasers

Use a 1.5mm hex wrench (one is included with the initial purchase) to adjust the lasers.

Adjusting the Green Laser:

Make sure that the sights are centered, or at least positioned in the same way as your real pistol. Do not adjust the sights to the laser. Be sure to adjust the sights to your real pistol so you train your natural point of aim with your real weapon.

Identify a surface about 10 yards away from the SIRT.

The set screws act on the rearward portion of the laser. Therefore, envision that the front portion of the laser is fixed to the SIRT and the back end will shift left and right and up and down for alignment of the laser.

Adjusting Vertical:

Identify the top setscrew just behind the front sight. To raise the laser beam screw the setscrew down (clockwise), and to position the laser down unscrew the set screw (turn it counter clockwise).

Adjusting Windage (Left and right movement of the laser):

Identify the setscrew on the right-hand side of the slide in the upper front portion of the SIRT. Hold the pistol and align the sight upon the surface about 20 yards away, and turn the setscrew clockwise to move the laser to the right. To move the laser to the left, turn the setscrew counterclockwise.

Again, the setscrews simply reposition the tail end of the laser module.

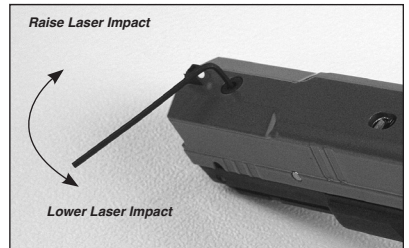


Figure 2: Adjusting Vertical of Green Laser

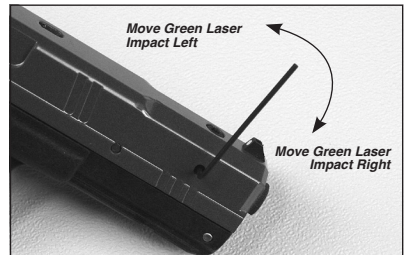


Figure 3: Adjusting Windage of Green Laser

Adjusting the Red Laser:

Adjusting Vertical:

Identify the setscrew opening in the frame at the front lower portion of the SIRT.

To raise the impact of the red dot, turn the setscrew counterclockwise. To lower the red dot impact, turn the setscrew clockwise.

Adjusting Windage ***(Left and right movement of the red laser):***

Please see page 14 regarding general considerations when using the take-up laser. In general, the take up laser is not to be used as a sighting aid (with a few exceptions). In one form, the take up laser can be positioned well below the green laser so the trainee is not using it as a sighting aid.

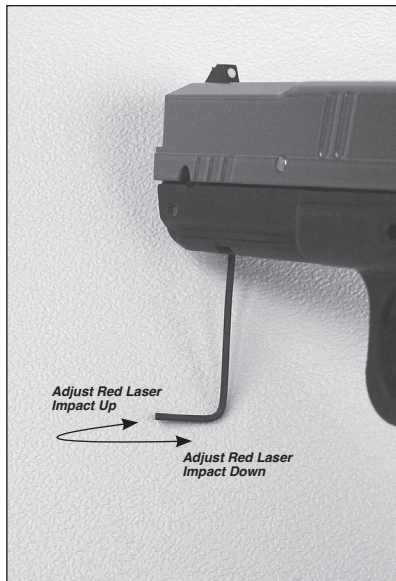


Figure 4: Adjusting Vertical Impact of Red Laser

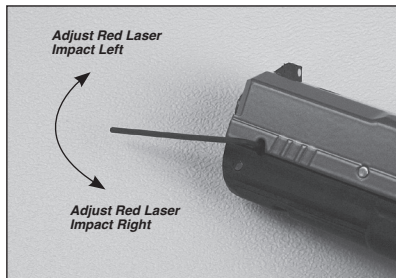


Figure 5: Adjusting Windage of Red Laser

Changing the Battery

- Remove the 2 slide assembly pins.
- Remove laser module by removing the laser module pin and carefully lifting the laser module straight up (fig.8) taking care not to bend the connector pins.
- Replace the battery (positive terminal down).
- Replace the laser module, then carefully align the connector pins, and seat to the connector. Replace the laser module pin.
- Replace the slide assembly and insert the 2 slide pins.



Figure 6: Remove Pins



Figure 7: Removing Cross Pins

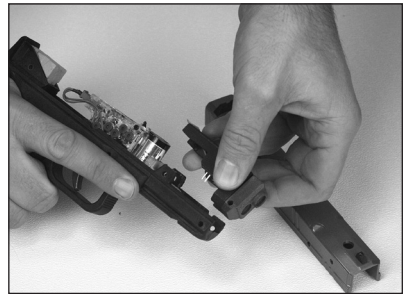


Figure 8: Push out the front frame-laser module pin with a punch or the 2.5 mm hex wrench. Carefully remove the laser module by lifting it straight upwards. Note: the male positive leads must disengage the front weight female electrical plug. Change the battery and replace the laser module taking care to align the male positive leads to the female electric plug.



Figure 9: Take Up Laser Switch Must be Aligned with Hole in Slide When Reassembling Slide to Frame

Adjusting the Trigger

The trigger can be adjusted for six different attributes:

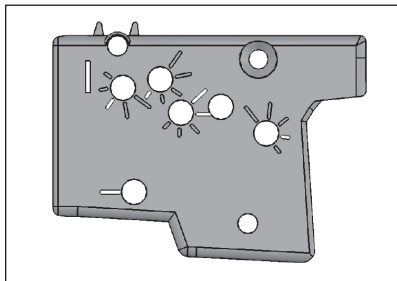
1. Initial Trigger Location
2. Trigger "Over-Travel" Location
3. Trigger Break Location
4. Trigger Take-Up Force (.5 lbs - 10 lbs.)
5. Trigger Break Force
6. Degree Of Sear Engagement

Each of these attributes can be individually adjusted.

WARNING: *Be sure to loosen the cap screws on the right hand side of the trigger housing before adjusting the cams.*

When adjusting the cams, use the indicator lines to determine the setting.

As shown in Figure 12, the cams can be set to a number of positions. For example in this figure the cam is set to approximately 3.5 where the shortest line indicates level 1 and the longest line indicates level 5. The indicator line corresponds to the lobe extension of the cam.



Initial setting diagram

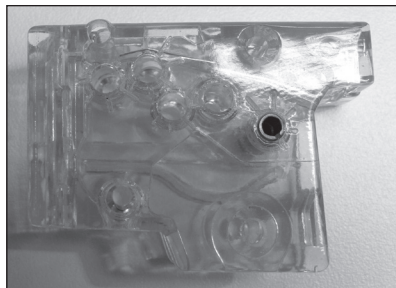


Figure 10: Cam set to Level 1 of 5

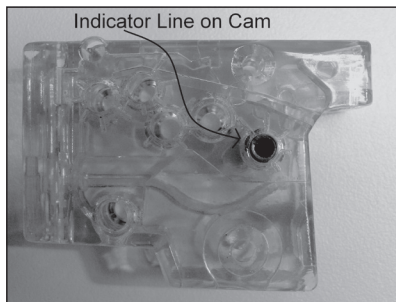


Figure 11: Cam set to Level 5 of 5

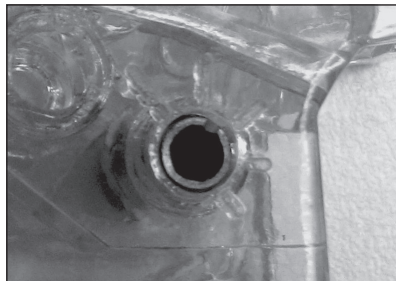


Figure 12: Example of Cam set to 3.5 of 5

Initial Trigger Location

The initial trigger location can be slightly adjusted to position the resting position of the trigger.

- First loosen the initial trigger location screw on the right hand side of the trigger module (Figure 13).
- Adjust the cam with the 2mm hex wrench (Figure 16).
- While holding position of the cam with the hex wrench, tighten the corresponding cap screw on the right hand side of the trigger module.
- As shown in Figure 14 and Figure 15 the initial trigger location cam is shown in two extreme positions.

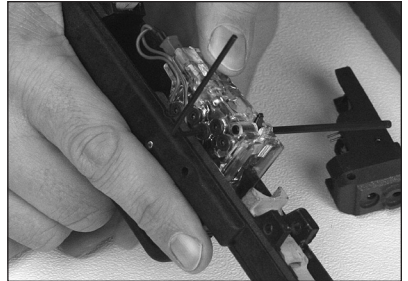


Figure 13: Loosening Initial Trigger Location Cap Screw



Figure 16: Adjust Initial Trigger Location Cam

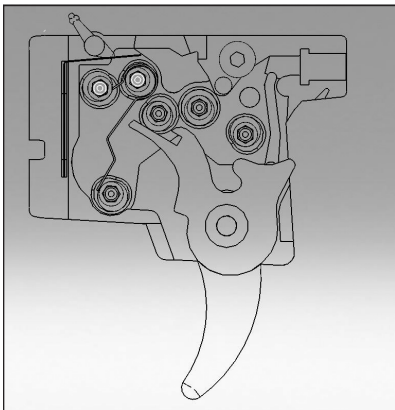


Figure 14: Initial Position of Trigger More Rearward

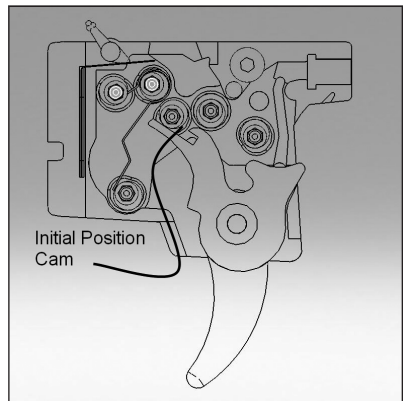


Figure 15: Initial Position of Trigger More Forward

Trigger Over-Travel Location

The over-travel adjustment adjusts the distance of follow through the trigger moves after the sear breaks simulating the drop of a striker. The green laser is activated when the trigger is in contact with the over travel cam.

- First loosen the over-travel cap screw on the right hand side of the trigger module (Figure 17).
- Adjust the over-travel cam with the 2.5mm hex wrench (Figure 18).
- While holding position of the over-travel cam with the hex wrench, tighten the corresponding cap screw on the right hand side of the trigger module.

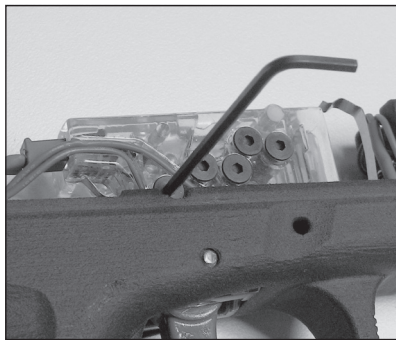


Figure 17: Loosen Cap Screw of the Trigger Over-Travel Cam



Figure 18: Adjust Trigger Over-Travel Cam

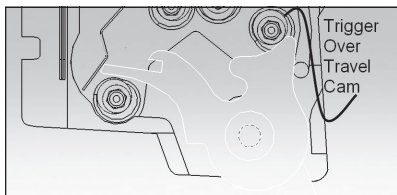


Figure 19: Over Travel Cam in Max Over-Travel Position

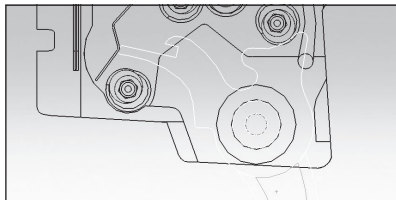


Figure 20: Over Travel Cam in Minimum Over-Travel Position

Trigger Break Location (Sear Location)

The sear member can be raised and lowered to adjust when the internal trigger tongue engages the sear surface.

- First loosen the trigger break location screw on the right hand side of the trigger module (Figure 21).
- Adjust the trigger break location cam with the 2.5mm hex wrench (Figure 22).
- While holding position of the trigger break location cam with the hex wrench, tighten the corresponding cap screw on the right hand side of the trigger module..
- As shown in Figure 24 and Figure 23 the sear location cam actually repositions the sear surface down (Figure 23) and up (Figure 24) to change the amount slack in the trigger and the distance of slack in the trigger.



Figure 21: Loosen Sear Location Cap Screw



Figure 22: Adjust Trigger Break Location Cam with the 3mm hex wrench

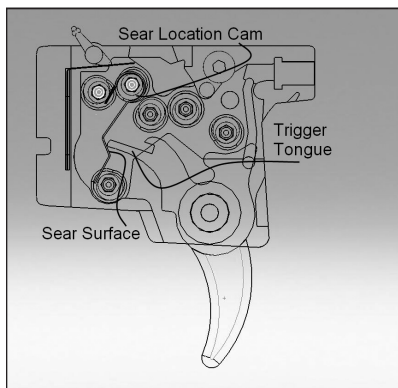


Figure 23: Sear Location Cam set so the Sear Surface is Low

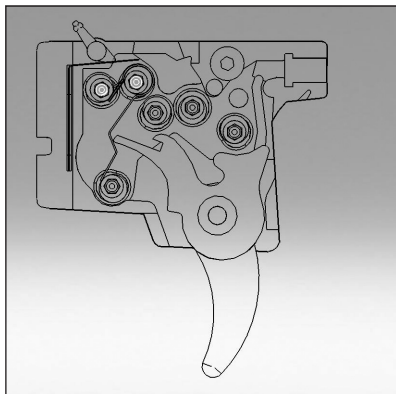


Figure 24: Sear Set to a Raised Position

Trigger Take-Up Force

The trigger take-up force can be adjusted by adding additional trigger main springs.

- First loosen the trigger take-up force screw on the right hand side of the trigger module (Figure 25).
- Adjust the trigger take-up force cam with the 2.5mm hex wrench so the indicator line is facing away from the main springs (Figure 27).
- Insert additional main springs from the top open region to increase take up force. To reduce the take-up force, use needle nose pliers to remove main springs through the opening (Figure 26).
- Adjust the position of the take-up force cam to further adjust the force for taking up the trigger.
- While holding position of the take-up force cam with the hex wrench, tighten the corresponding cap screw on the right hand side of the trigger module.
- If the main springs seat too far down or if you're having trouble inserting a main spring, remove and disassemble the trigger housing as shown on our website.



Figure 25: First Loosen Trigger Take-Up Spring Retaining Cam Cap Screw

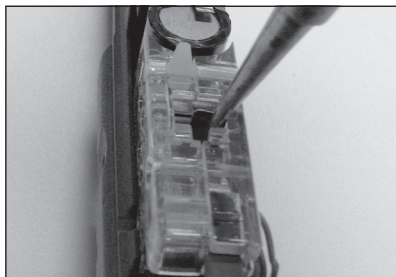


Figure 26: Add or Remove Main Springs with Needle Nose Pliers

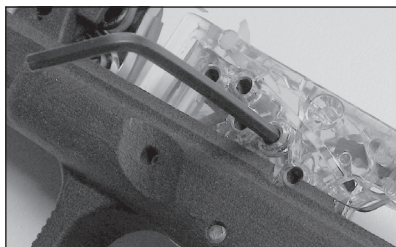


Figure 27: Further Adjust Take-Up Force by Adjusting the Take-Up Force Cam

Trigger Break Force

The internal sear member has a sear spring extension that determines the extra force to break the shot after the trigger engages the sear surface. The trigger break force cam adjusts the amount of tension for the trigger tongue to move the sear and break the shot.

As shown in Figure 30, the trigger break cam has the lobe of the cam set to push into the sear spring leg. This applies greater force on the sear surface.

As shown in Figures 30 and 31 the trigger break force cam can be repositioned to adjust the amount of pressure on the sear spring leg of the sear. When the trigger break force cam is positioned as shown in Figure 31, there is less force acting on the sear.

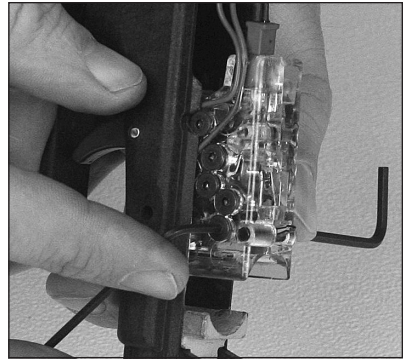


Figure 28: First Loosen Trigger Break Force Cap Screw

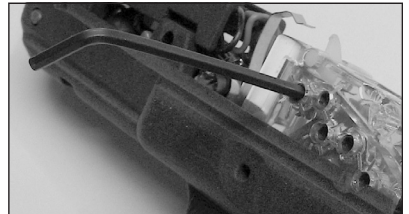


Figure 29: Adjust the Trigger Break Force Cam

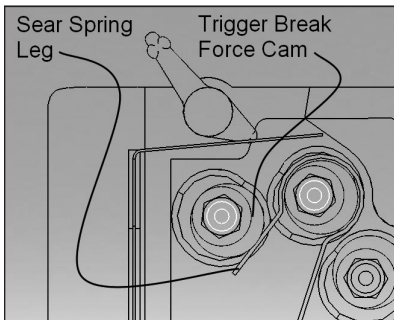


Figure 30: Trigger Break Cam set to Maximum Trigger Break Force

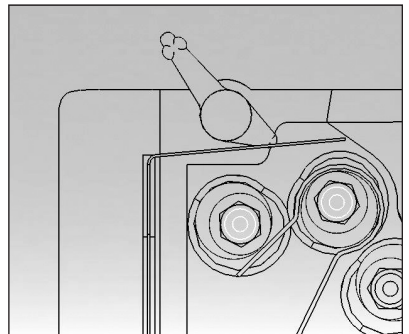


Figure 31: Trigger Break Cam set to Minimum force Trigger Break

Degree of Sear Engagement

The degree of sear engagement is the amount of travel of the trigger after the trigger engages the sear and before the trigger breaks. The degree of sear engagement can make the trigger have a crisp break like a competition gun or a long draggy break resembling more of a stock trigger.

- First loosen the sear engagement cap screw as show in Figure 32. This is the only cap screw that is not visible and is located behind the frame.
- Adjust the sear engagement cam as shown in Figure 34. This is the only cam that is not visible. As shown in Figure 32 by turning the cap screw.

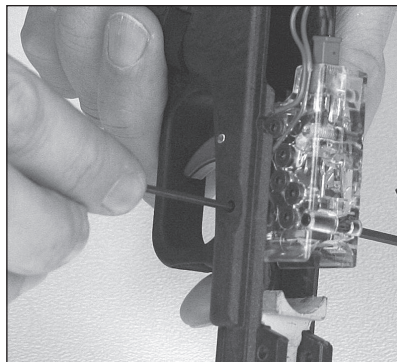


Figure 32: First Loosen the Sear Engagement Cap Screw

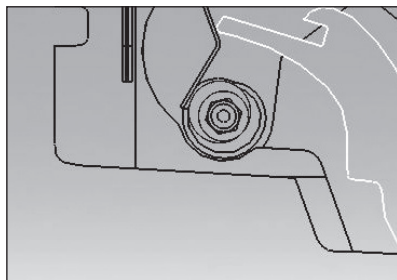


Figure 33: Sear Engagement Cam

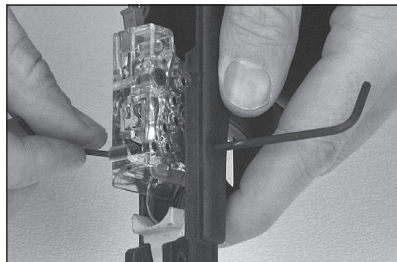


Figure 34: Adjust the Sear Engagement Cam

General Considerations when Training with Lasers:

If the SIRT is in a dedicated area (e.g. team room), you may want to reposition the laser upward to accommodate the average distance of the targets. For example, if the targets are only 4 yards away (and hopefully fairly small), you may want to raise the green laser to be positioned right on top of the aligned sights.

The take-up laser switch is positioned conveniently on top of the slide so it can be quickly turned on and off. For a majority of the training, the take-up laser is turned off and only the shot indicator laser is activated. Below is a general suggested protocol for when to use the take-up indicator based on the shooting level of the shooter. Please refer to the www.NextLevelTraining.com to see up-to-date videos and content for training with the SIRT Training Pistol.

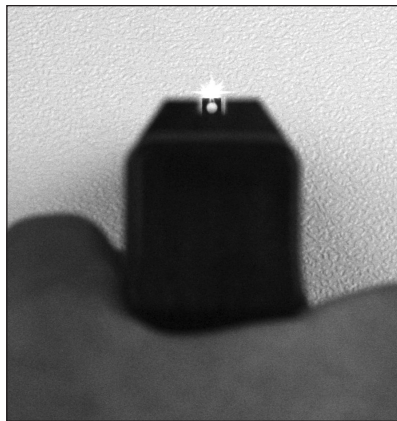


Figure 35: The Green Laser Impact above the Sights

Considerations for Beginners to Advanced Shooters:

Use the take-up laser to identify trigger mechanic issues during slow fire. After ensuring a proper grip, stance, body posture and other fundamental skill sets, observe the motion of the laser during the trigger pull. Ensure that the student is first taking up the slack out of the trigger and then having a clean follow through with the green laser showing the shot break.

Shooting off the reset:

After a shot is broken, ensure that the student releases the trigger sufficiently to shoot off the reset, where the red laser is still on and the student then re-presses the trigger to break a second or subsequent shot.

If the lasers go completely off, the student has completely disengaged the trigger from the sear. This indicates that the student is not identifying the reset point. For more information see www.NextLevelTraining.com for videos and content of shooting off the reset.

Taking Up the Slack When Transitioning to a Target:

When the shooter has identified the target and is transitioning the SIRT to the target, they should take up the slack and the trigger prior to coming onto the target.

The shooter should first snap their eyes to the target and then transition the SIRT to the next target.

Before coming to a complete stop on the target, the red take-up laser should be activated. As soon as the SIRT is in a stable position with proper sight picture, the green dot will indicate a trigger break.

Identifying Over-Transitions When Acquiring a Target:

Follow the same procedure as above, but if the red laser cycles left and right, the shooter is over transitioning the target and not properly decelerating the SIRT when approaching the target.

Identifying Trigger Mechanic Issues:

Have the shooter align on the target and prep and break the trigger. If the lasers are steady during this sequence, they are engaging proper trigger mechanics. If the shooter is, for example, right-handed, and the lasers sweep from right to left (a nine o'clock sweep), the shooter is not engaging in proper trigger mechanics.

Tip: Have the shooter shoot strong hand only, where the support hand cannot help cover up mechanic problems. Observe the laser motion when breaking the trigger and any comet tail sweep is an indicator of poor trigger mechanics.

Advanced Shooters:

Advanced shooters should, of course, train the same fundamentals as above. Many advanced shooters have fundamentals to train and strengthen, such as prepping the trigger prior to coming onto a target during a target transition.

However, advanced shooters need to train in higher volume with higher quality of movement. Such further training includes:

- Shooting on move
- High-speed transitions
- High-speed wide transitions (over 90° between targets):
- High-volume training

Things to watch out for when Training with the SIRT:

The SIRT Training Pistol provides a tremendous amount of convenience for high-volume training. Shooters should never reinforce bad technique. Seeking proper instruction from as many different instructors as possible is advised. The lasers help identify trigger mechanic issues to ensure proper trigger mechanics as well as proper sight alignment when breaking the trigger. However, here are few issues to watch out for.

Walking-in Shots:

Because the resetting trigger allows for a high volume of shots in a short amount of time, be sure shooters do not walk-in their shots. Walking-in the shots means they are not properly watching the sights and are becoming excessively target focused. The shooter will manipulate the orientation of the SIRT to the desired targets in successive shots. Although there is a slight training advantage of teaching the proper alignment of the pistol to build a natural point of aim, walking-in the shots can be detrimental because the shooter is not giving sufficient focus to the sights prior to breaking the first shot.

To remedy any issues of walking in shots, only allow shooter to shoot the target once. Setup several targets where the shooter is required to make one shot on each target.

When training the SIRT with live fire, the SIRT works particularly well on steel targets that are generally smaller in size. After shooting an array of steel (preferably auto-resetting steel to save time), the SIRT is useful to train the prep and break upon the targets to hone-in trigger mechanics. By only allowing one shot on the steel, the shooter must have a proper site index and proper trigger mechanics to hit each target in the string.

Inverting the Red and Green Lasers (making the green laser the prep indicator and the red laser the shot indicator)

- Remove the slide.
- Carefully pull the + leads laser plug from the trigger module as shown in Figure 36.
- Turn the + leads laser plug 180° and re-plug into the trigger module as shown in Figure 37.

You may want to invert the laser so the SIRT Training Pistol operates with targeting systems that are set to activate on a red laser frequency (635 nm). In certain ambient lighting conditions, the red laser may be more desirable to give visual feedback. For example, with some painted surfaces the green laser is too bright indoors and the red laser is more desirable

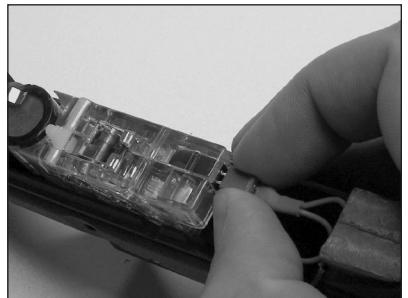


Figure 36: Carefully Pull the Laser + Lead Plug rearward

to give just the right amount of visual feedback on the hits.

If it is critical to determine trigger take up when training outside, the green laser can be set for the take up indicator.

Note: As with all Class IIIA red lasers, the red beam does not show up very well outside.

Adjust the Weight of the Magazine

- To adjust the weight of the magazine, take a phillips screw driver and remove the 4 self tapping screws.
- Carefull remove the magazine casing halves keeping one side flat so the weights don't fall out.
- Remove weights as necessary to emulate the exact weight and center of gravity of the magazine you carry (see our website for updates on suggestions for weight placements for certain bullet weights and round capacity).

General Maintenance

Keep the SIRT Training Pistol dry. The SIRT Training Pistol is an electrical device and should not be submerged in water. If the SIRT Training Pistol is used heavily in the rain you may want to cover the upper opening in the slide with a small piece of tape to keep the trigger module dry.

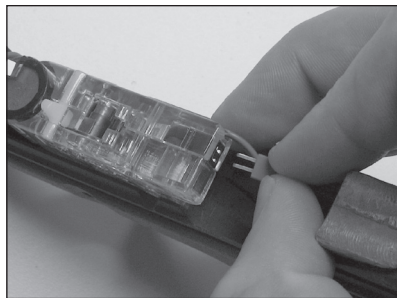


Figure 37: Flip the + Lead Plug 180 degrees to Invert the Laser Operation



Figure 38: Adjust the weight of the magazine.

Trouble Shooting

The SIRT Training Pistol has a simple robust design to allow the user to problem-solve most issues.

The red laser does not come on when I prep the trigger.

Be sure that the switch is positioned fully rearward. Test to see if the take up switch is pressing against the sear cam. As shown in Figure 38 inspect the take up conductor and ensure it is in contact with the sear member.

If there is a solid contact between the sear and the take-up conductor then the red laser may have gone bad. Please visit the web site at www.NextLevelTraining.com to do further diagnostics and find warranty information and replacement part options.

The green laser does not come on when the shot is broken.

Be sure that the shooter is pulling the trigger all the way rearward. The green laser is not activated until the trigger is fully pressed rearward at the end of the trigger pull to expose any shooter trigger finger issues.

If the trigger pull is not satisfactory, please see the section Adjusting the Trigger on page 7 to adjust the trigger properties such as the trigger over travel.

The take up laser (red laser by default) is on even when I turn it off with the take up indicator.

The take up conductor may be in contact with the sear even when the take up switch is moved forward. Remove the slide and inspect the take up conductor and see if it is in electrical contact with the cam. The take up conductor should be spaced from the sear as shown in Figure 39. If the take up conductor is in contact with the upper portion of the sear, position the take up switch forward and pry the take up conductor upward to disengage the sear member.

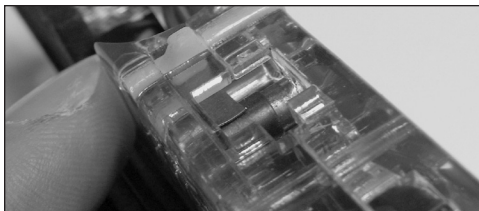


Figure 39: Take-Up switch is On, Take-Up Conductor Should be in Contact with the Sear

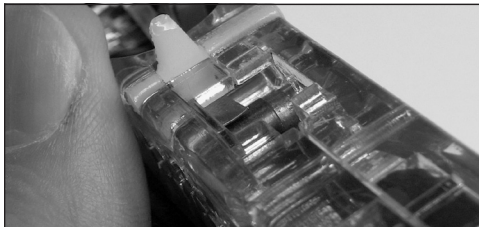


Figure 40



Next Level Training SIRT™ Warranty

Subject to the terms, conditions and exclusions set forth below, NextLevel Training, LLC (hereinafter NLT), hereby expressly warrants solely to the original consumer purchaser of this training pistol, that the training pistol is free from defects in workmanship and in materials for a period of one year from date of purchase by the original consumer purchaser. Any implied warranty, including warranty of merchantability or of fitness for a particular purpose, is limited to the same period of one year from the date of purchase by the original purchaser.

During the warranty period, NLT will, at its option, repair or replace without charge the training pistol when an authorized NLT service representative determines it is defective in workmanship or materials.

The provisions of the warranty shall not apply to any training pistol which has been subject to misuse, negligence alteration, use of non-authorized spare parts, improper maintenance, or removal, alteration or defacing of any serial numbers, or dismantling further than described in the Manual. Nor shall the warranty apply if the training pistol is damaged by fire, flood, accidents, acts of God or any other similar causes beyond NLT's control.

In no event shall NLT be liable for damages or loss of use, loss of business or profits or for any other incidental or consequential damages.

No dealer or other person has the authority orally to vary the terms, conditions or exclusions of this warranty, or make any other express warranties than those contained herein.

This warranty gives the original consumer purchaser specific legal rights. The original consumer purchaser may also have other rights which vary from state to state.

Warranty Information — Please take a moment to record the following:

Date of Purchase: _____

Purchased From: _____

Model Number: _____

Please feel free to contact the NextLevel Team anytime with any issues at 360-933-4640 or email at info@NextLevelTraining.com. See our website for more information and updates on training videos and products. Look for add-on products to complement the SIRT Training Pistol in the future.

Contact:

NextLevel Training

5160 Industrial Place, Suite 101
Ferndale, WA 98248

Tel: 360-933-4640 x 204
Fax: 360-671-2489

www.NextLevelTraining.com

Train Hard, Train Smart