

Kodak Eastman Kodak Company
 1669 Lake Avenue
 Rochester, N.Y. 14650

TITLE
 M1 BOARD

DR. J. MAYNARD	NUMBER	SIZE
DES. W. TOOHEY	1	B
DATE APR. 13, 1988	SHEET	1 OF 1

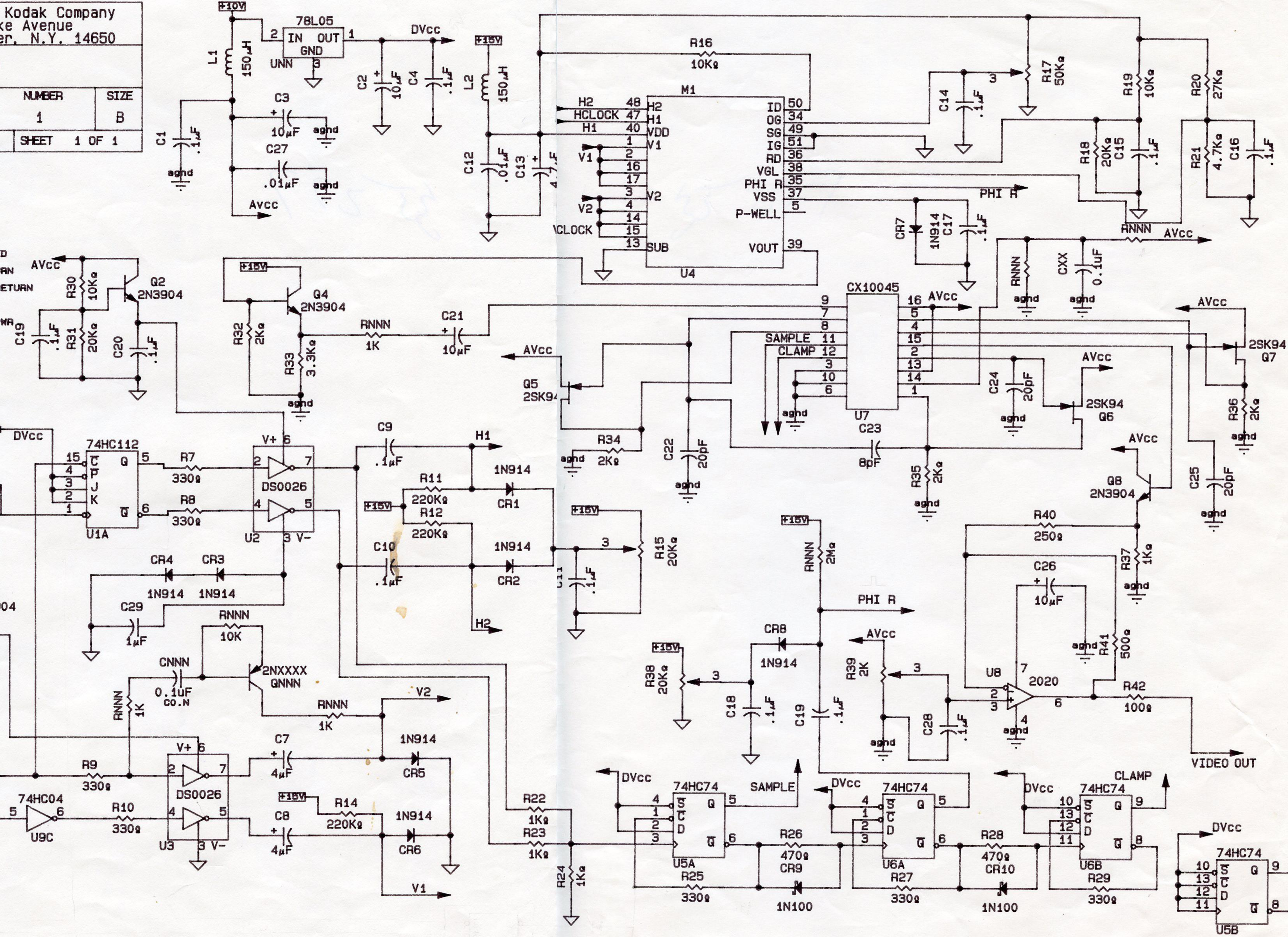
J1
 GND 1 2 VIDEO
 GND 3 4 COOLER
 COOLER 5 6 GND
 VCLK 7 8 GND
 +15V 9 10 +10V
 RED LED 11 12 GREEN LED
 YELLOW LED 13 14 LED RETURN
 GND 15 16 SENSOR RETURN
 GND 17 18 HCLK
 GND 19 20 CAMERA PWR

CONN20
 74HC112
 10 14 11 12 13
 Q 9
 K J C D
 U1B

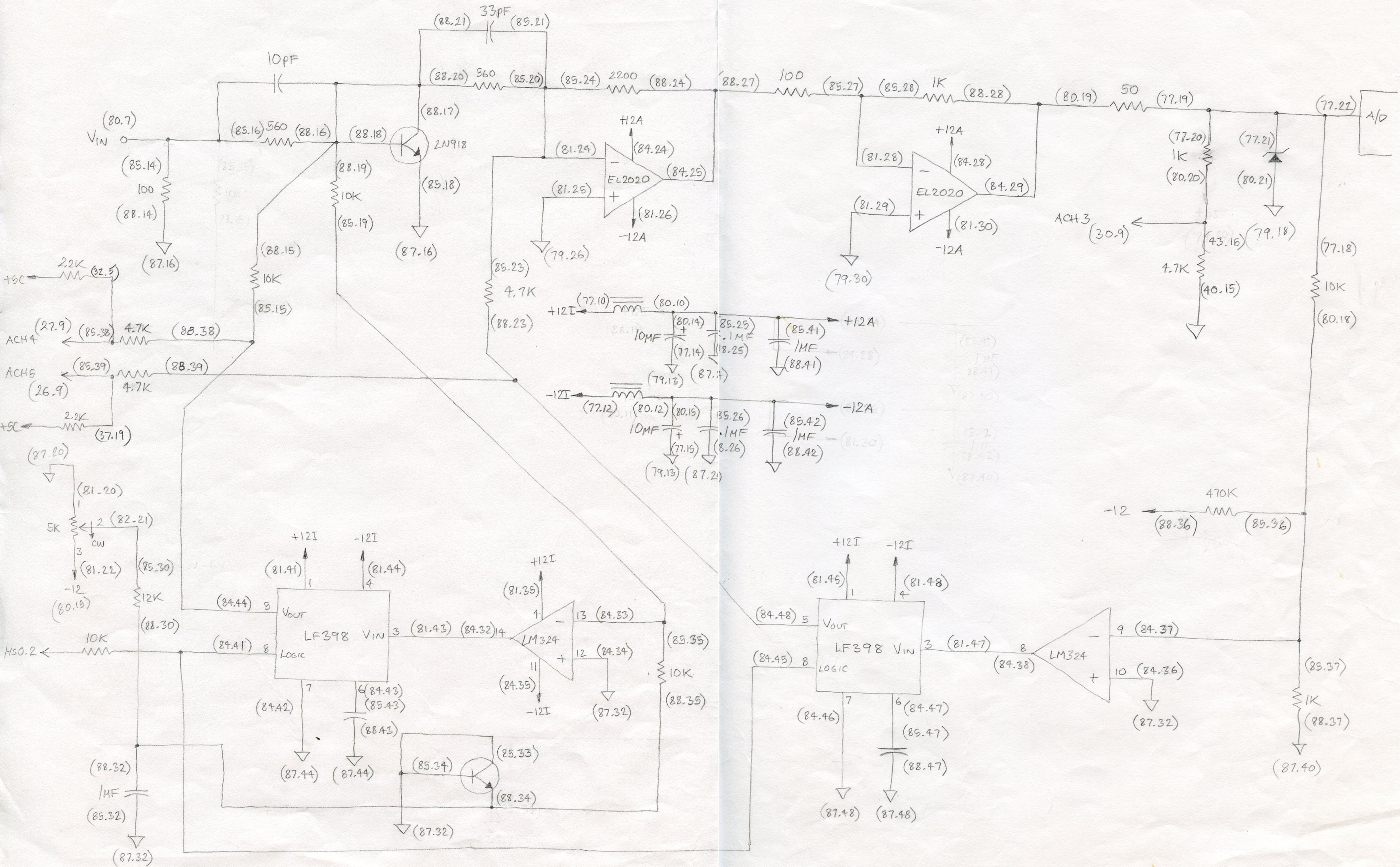
HCLK
 R3 100Ω
 U9A
 74HC04
 1 2
 U1A
 74HC112
 15 4 3 2 1
 K J C D
 U1A

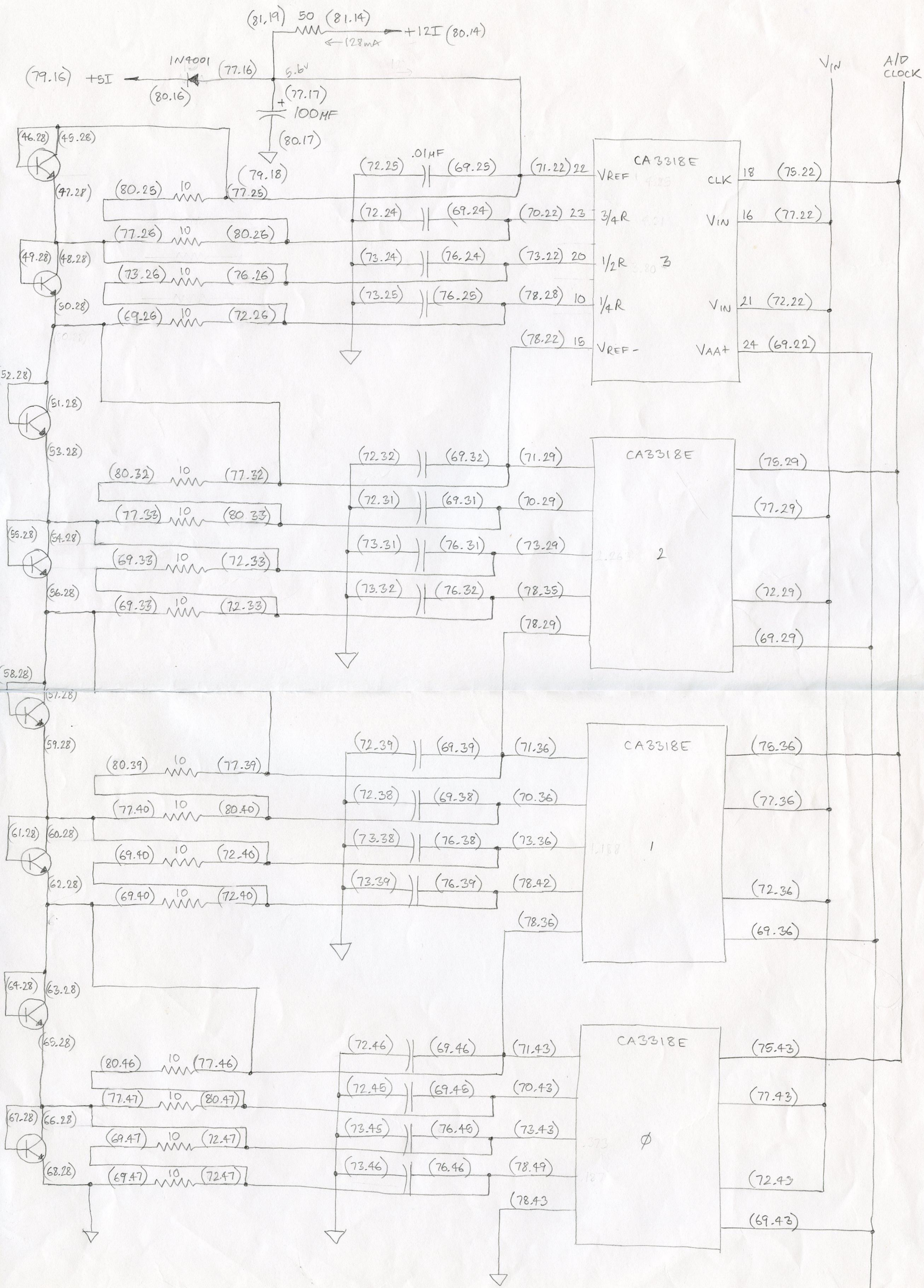
+15V
 R4 10KΩ
 Q3 2N3904
 R5 20KΩ
 C5 .1μF
 R6 20KΩ
 C6 .1μF
 R7 330Ω
 R8 330Ω
 U2 DS0026
 2 7 4 5 3 V-
 C9 .1μF
 CR1 1N914
 CR2 1N914
 CR3 1N914
 CR4 1N914
 R11 220KΩ
 R12 220KΩ
 C10 .1μF
 R15 20KΩ
 U3 2NXXXX QNNN
 RNNN 1K
 C29 1μF
 RNNN 10K
 C28 .1μF
 R39 2KΩ
 C18 .1μF
 C19 .1μF
 R38 20KΩ
 CR8 1N914
 R37 1KΩ
 R40 250Ω
 C26 10μF
 R41 500Ω
 R42 100Ω
 U8 2020
 2 7 3 4 6
 U5A 74HC74
 4 5 6 3 1 2
 Q 5
 D 4
 U5B 74HC74
 10 13 12 11
 Q 9
 D 8

VCLK
 R6 100Ω
 U9B
 74HC04
 3 4
 U9C
 74HC04
 5 6
 U3 DS0026
 2 7 4 5 3 V-
 C7 4μF
 R14 220KΩ
 CR5 1N914
 CR6 1N914
 R22 1KΩ
 R23 1KΩ
 R24 1KΩ
 U5A 74HC74
 4 5 6 3 1 2
 Q 5
 D 4
 U5B 74HC74
 10 13 12 11
 Q 9
 D 8

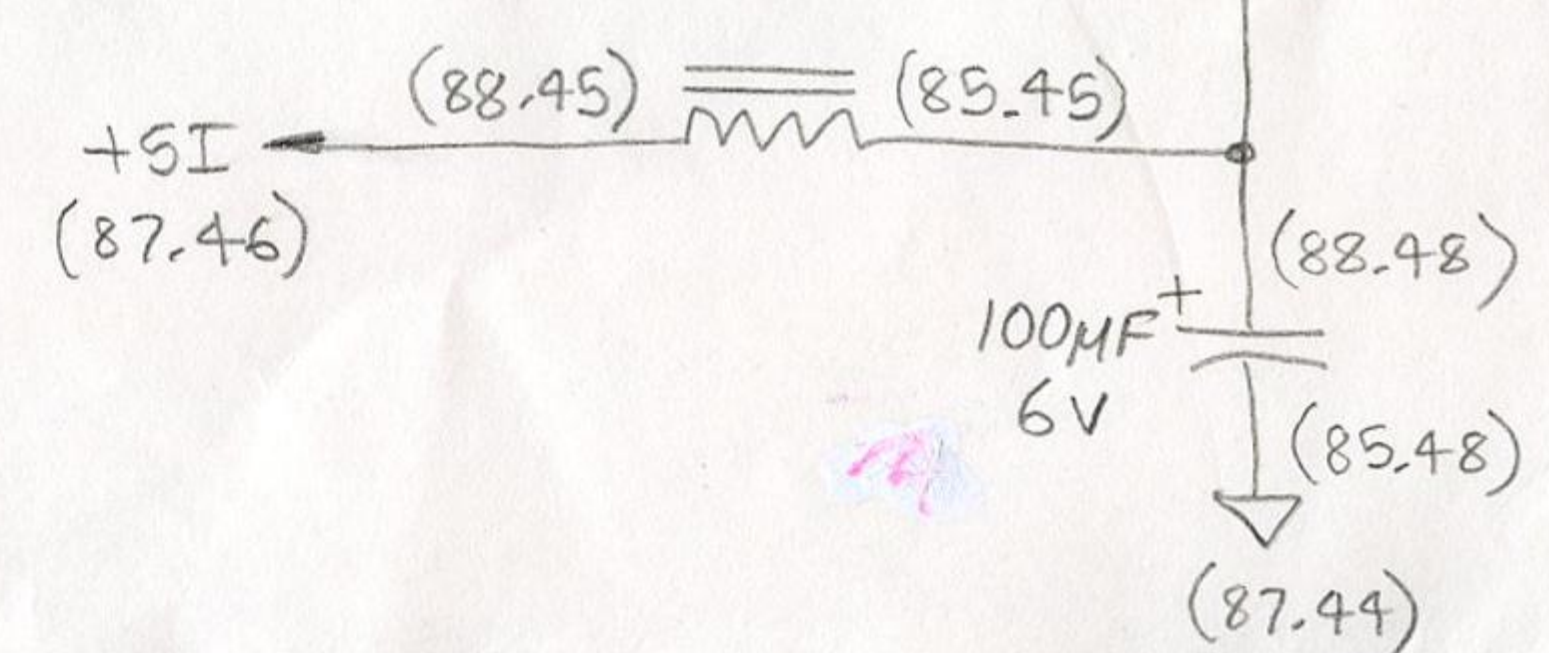


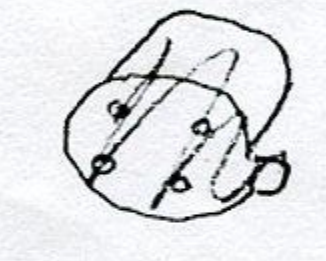
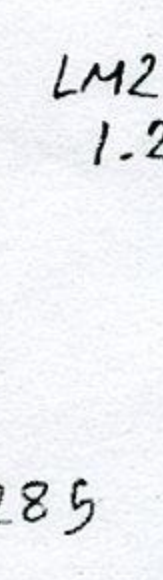
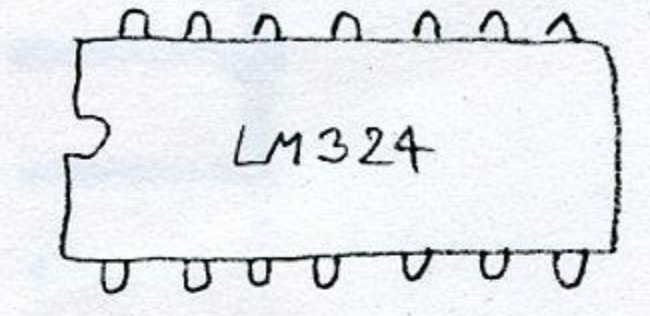
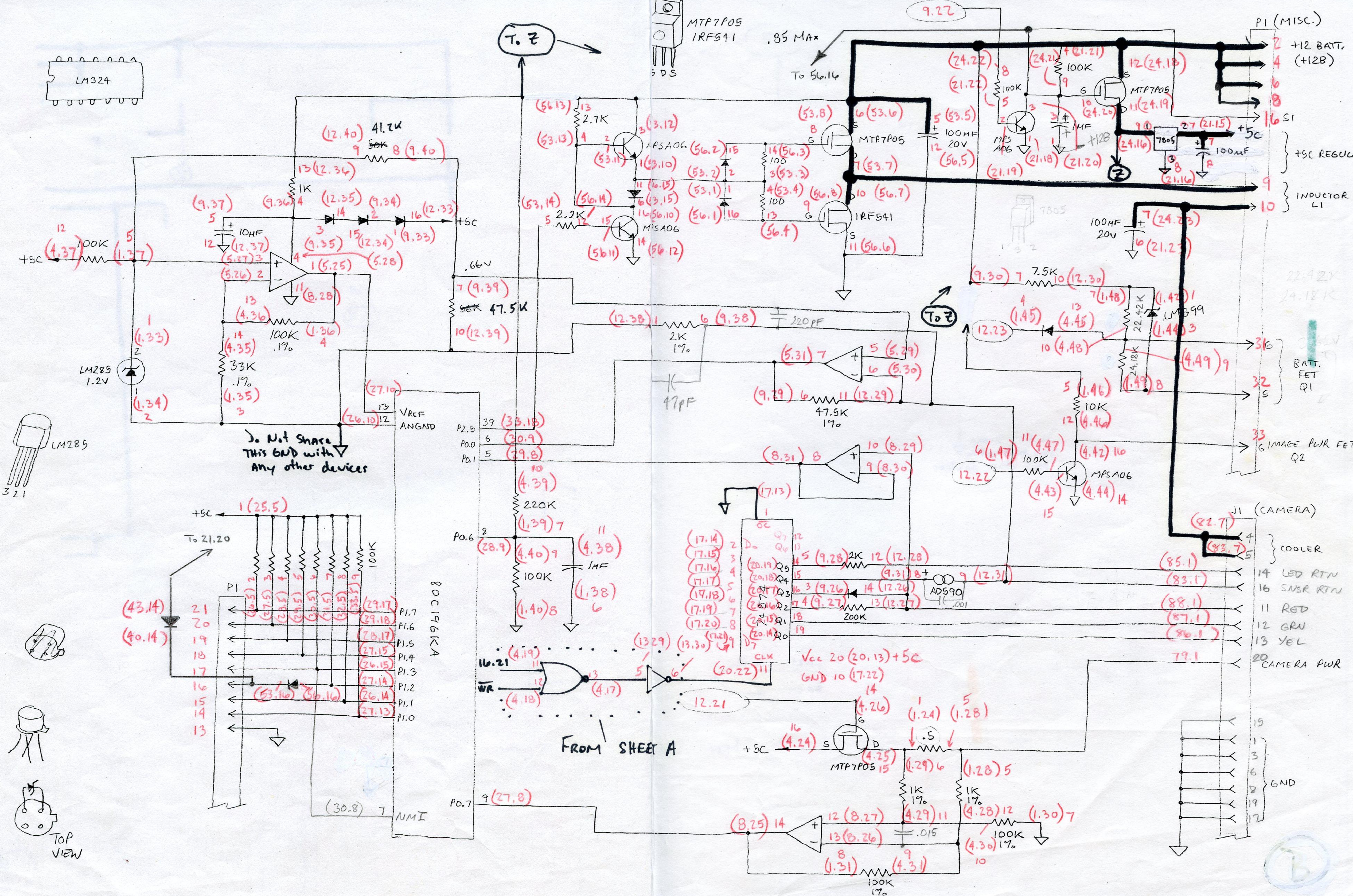
VIDEO SIGNAL PROCESSING





A/D CONVERTER LADDER DRIVE



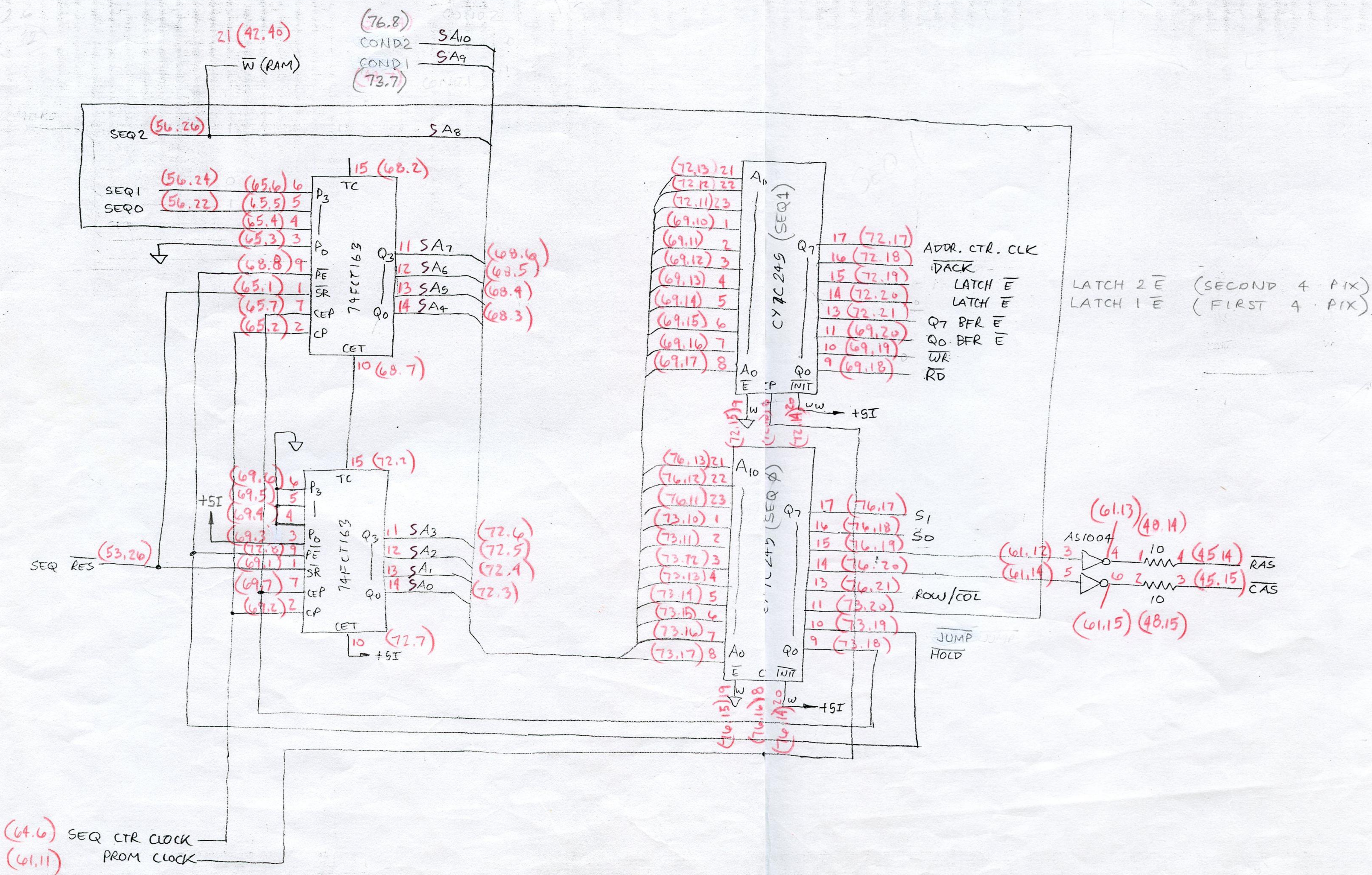


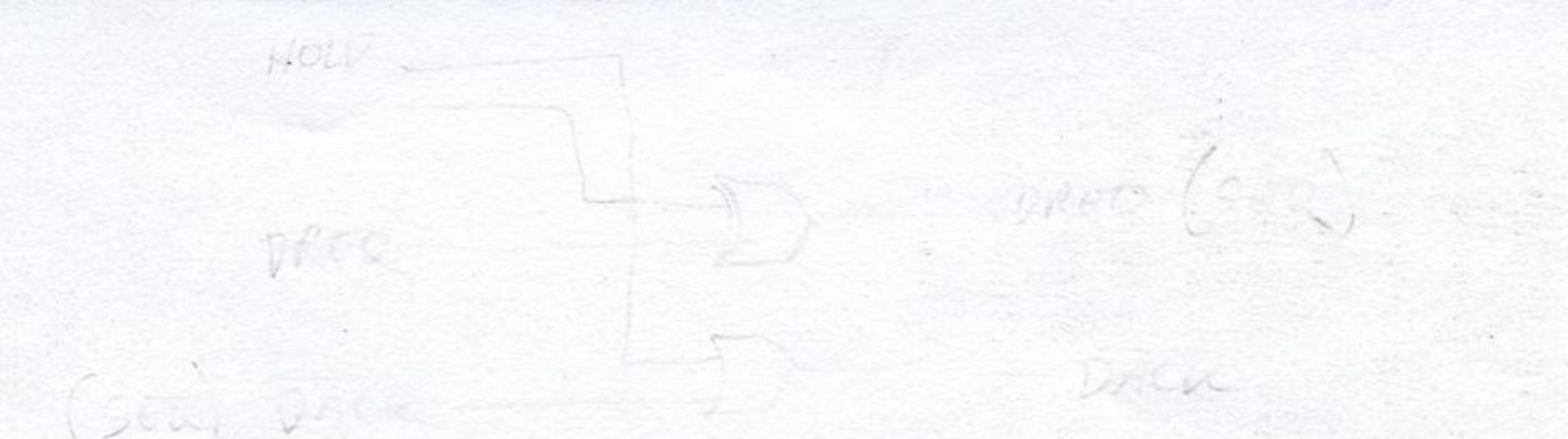
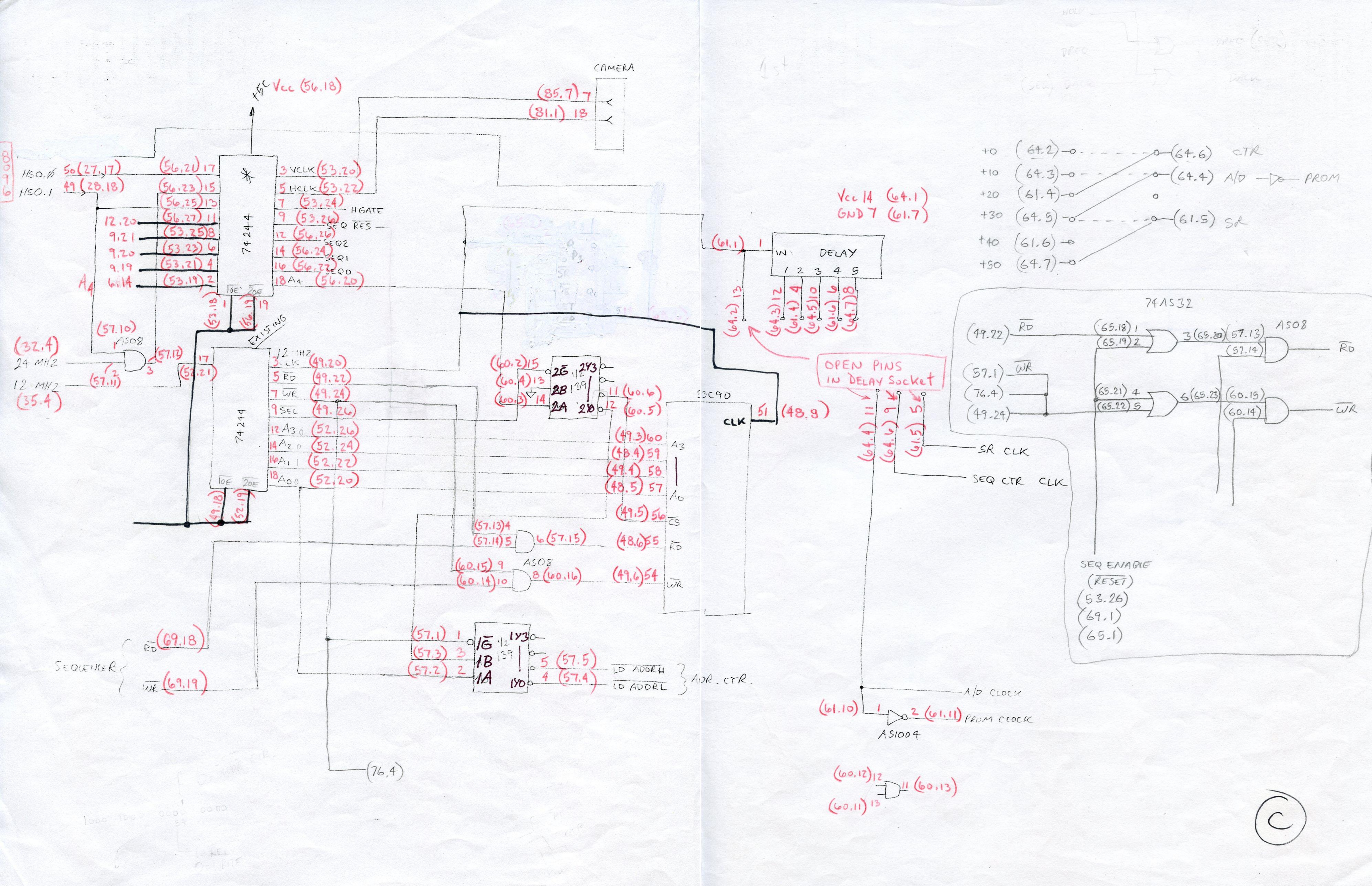
TOP VIEW

FROM SHEET A



SEQUENCER

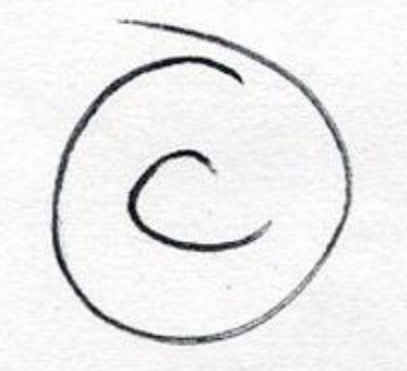




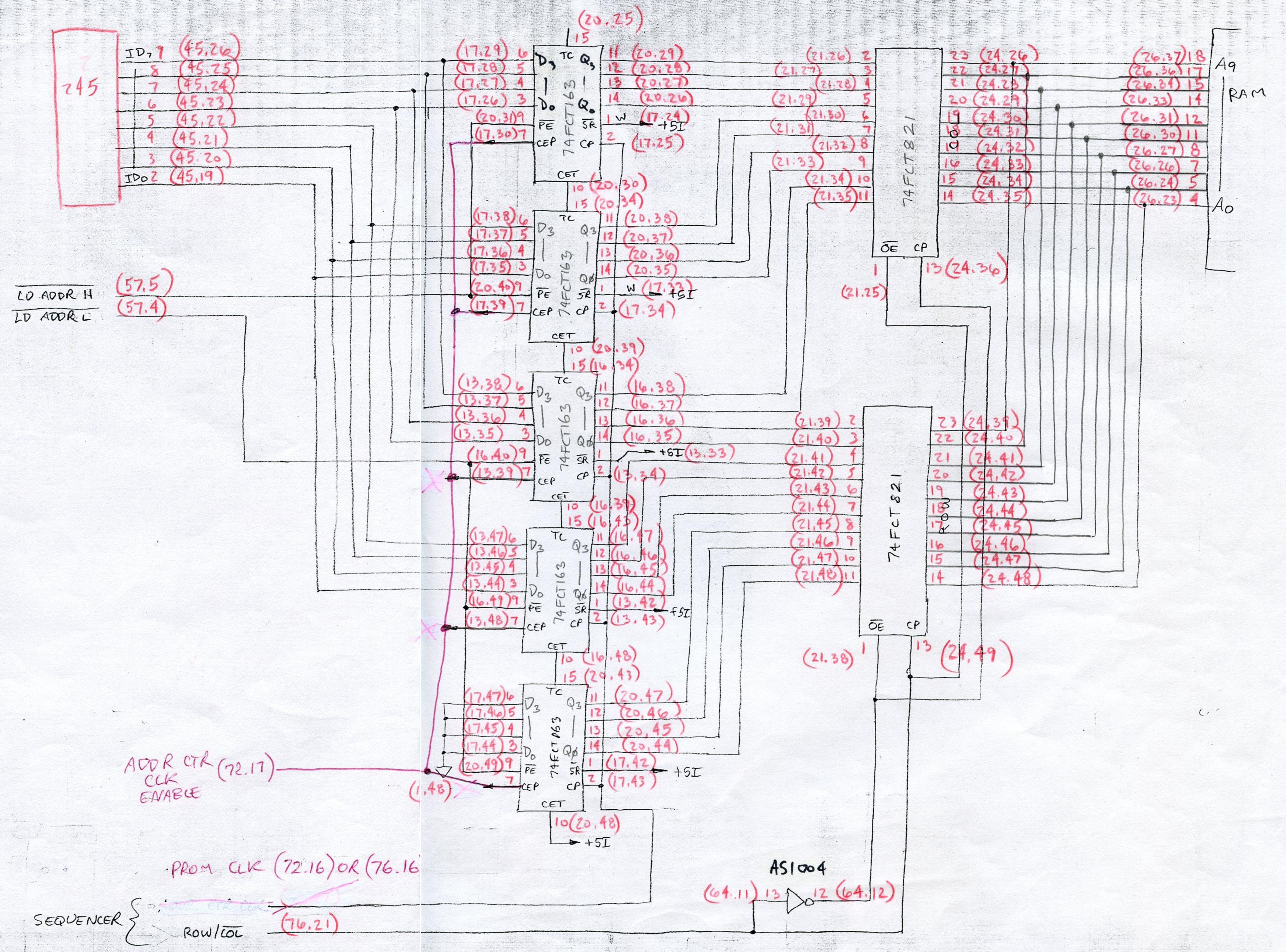
- +0 (64.2) - - - - - (64.6) CTR
- +10 (64.3) - - - - - (64.4) A/D → PROM
- +20 (61.4) - - - - -
- +30 (64.5) - - - - - (61.5) SR
- +40 (61.6) - - - - -
- +50 (64.7) - - - - -

OPEN PINS IN DELAY SOCKET

SEQ ENABLE (RESET)
(53.26)
(69.1)
(65.1)

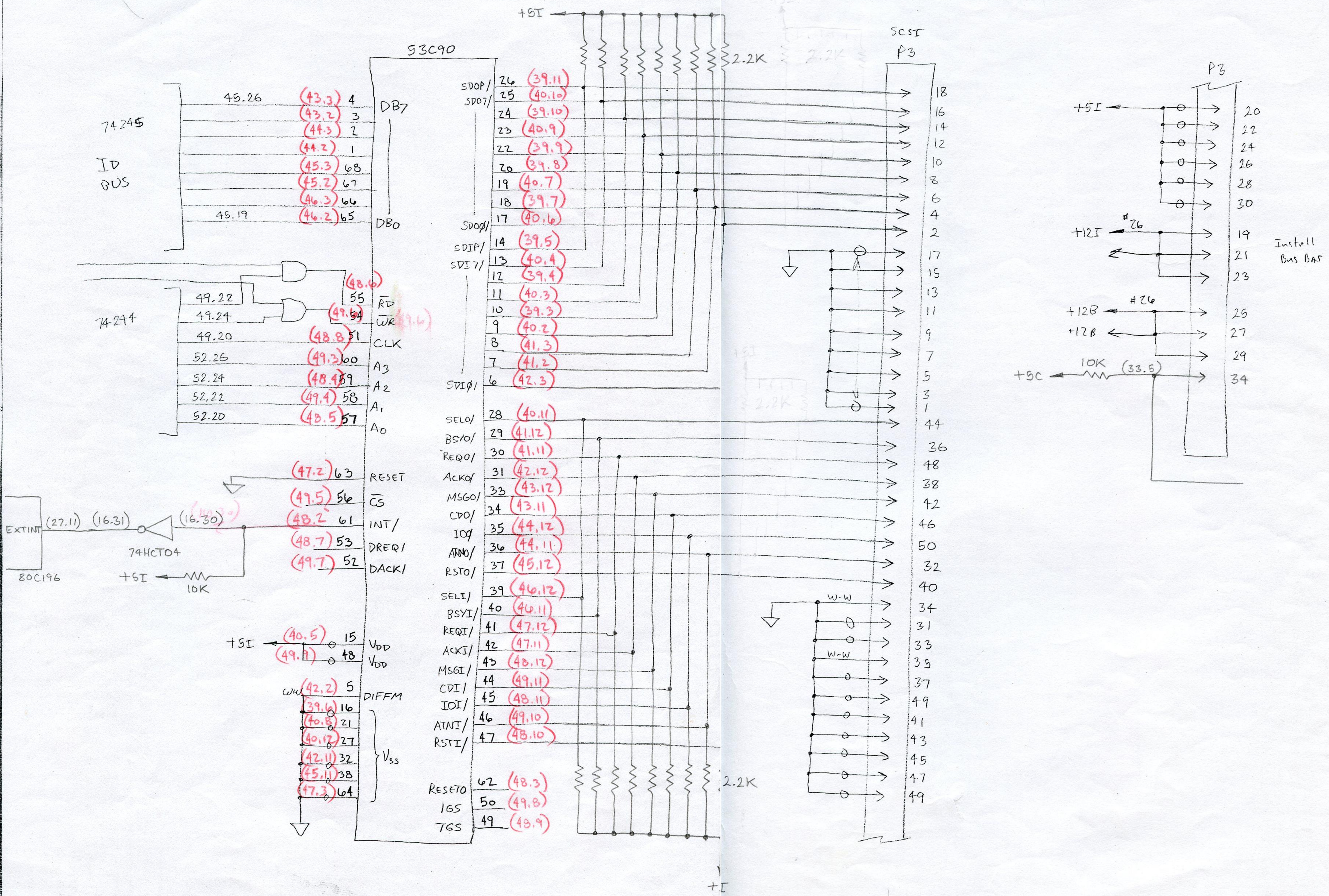


ADDRESS COUNTER

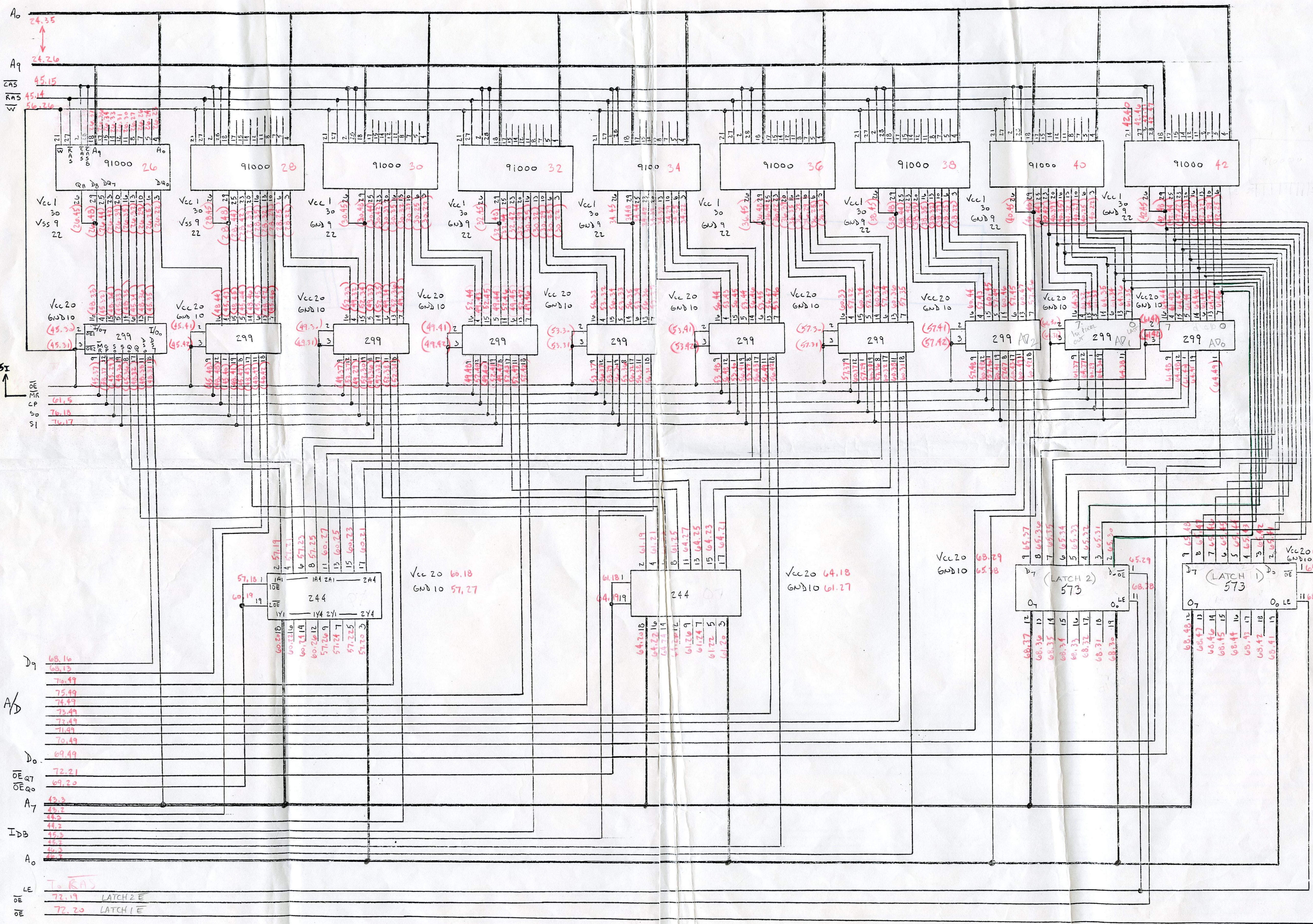


3 D₀
4 D₁
5 D₂
6 D₃
14 Q₀
13 Q₁
12 Q₂
11 Q₃

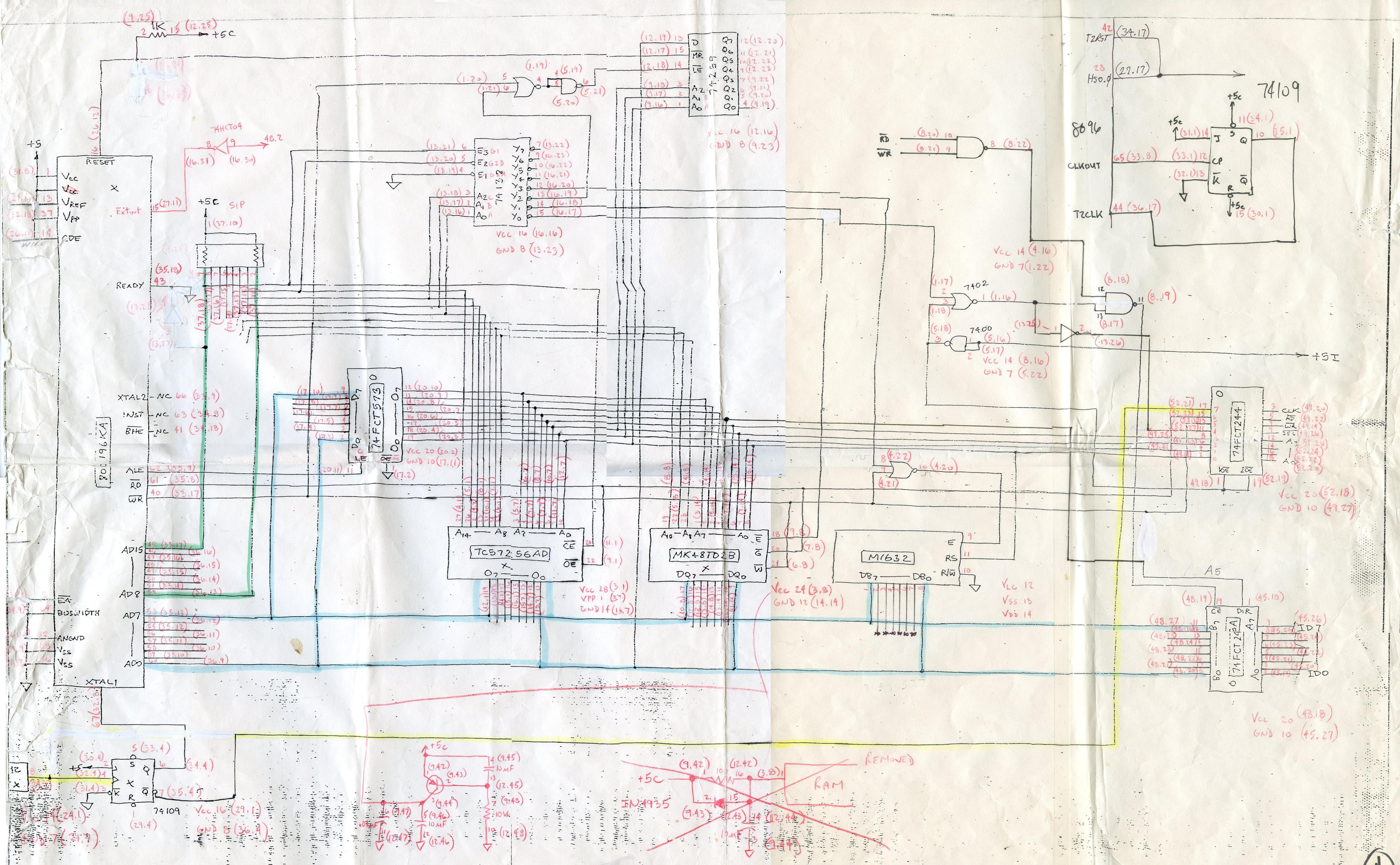
SCSI CONTROLLER

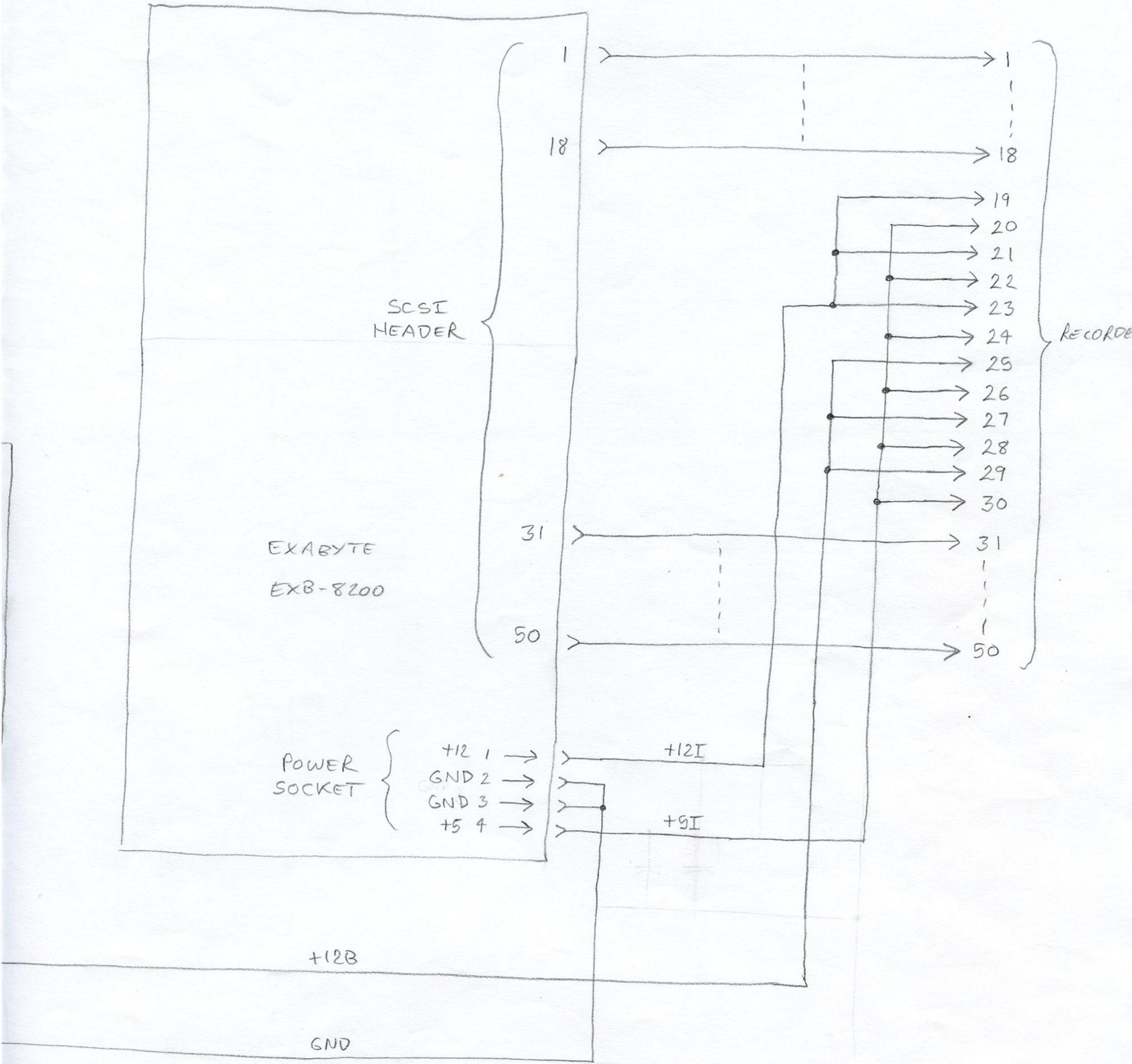
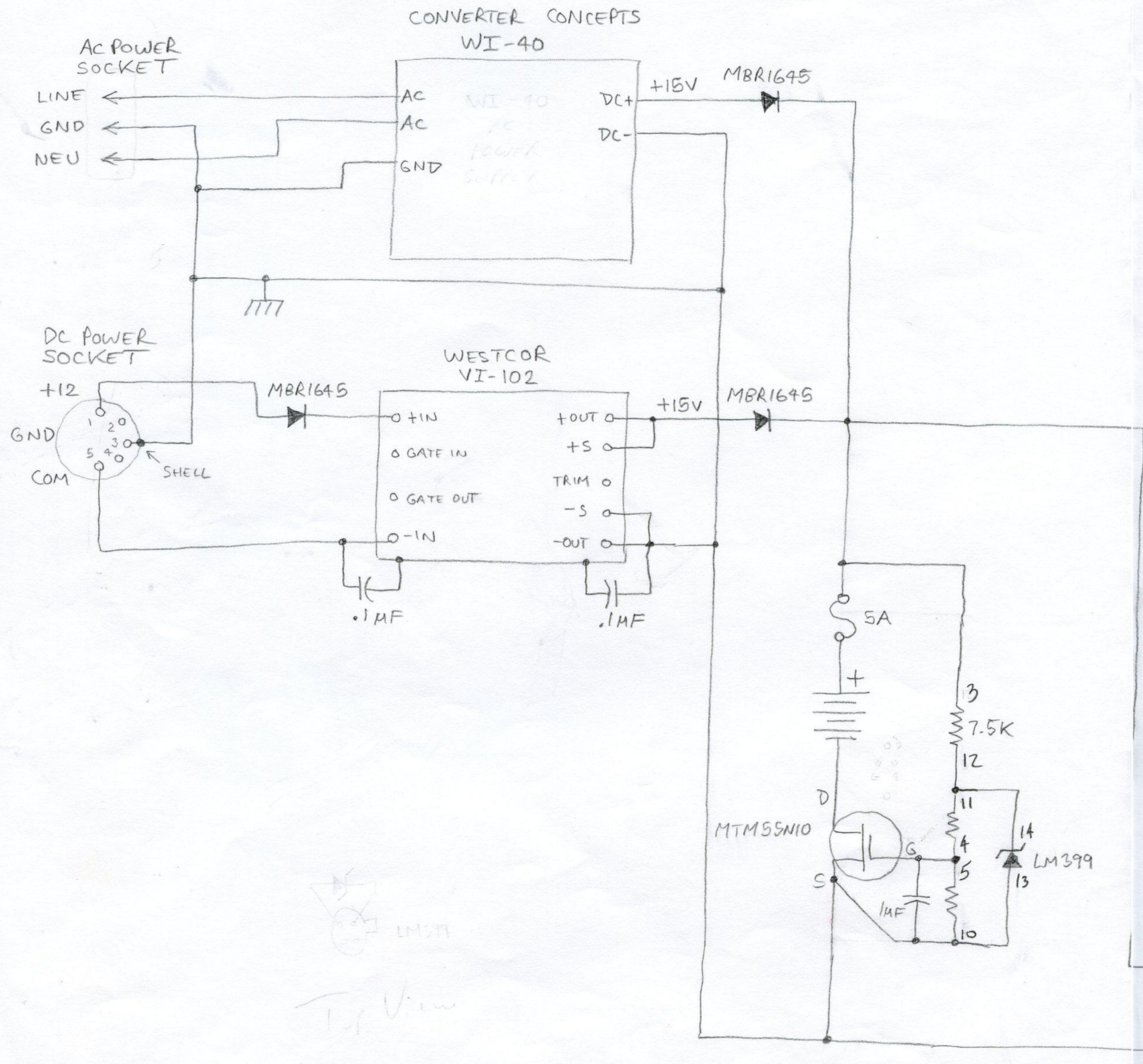


Install Bus BAR



T0 RAS
72.19 LATCH 2 E
72.20 LATCH 1 E





ARCHIVE UNT WIRING