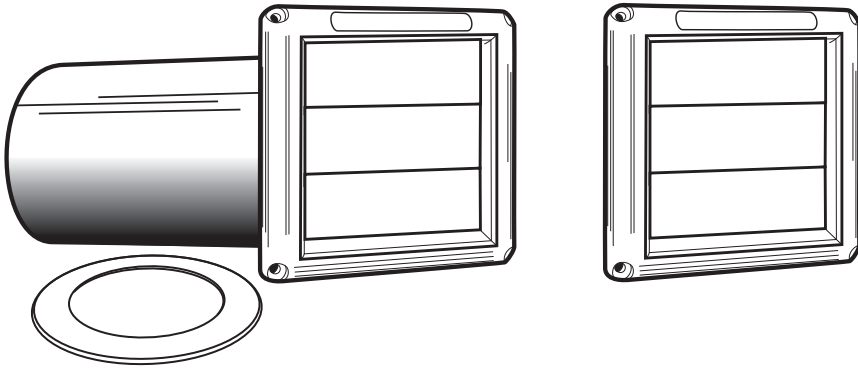


Dryer Vent - 4" Supurr-Vent[®] Louvered Vent Hood, with aluminum pipe and collar



SVHCW₄, SVHCB₄, SVHAW₄, SVHAW_{4/18}, SVHAB₄, SVHXW₄, SVHUW₄, SVHUB₄

HS₄W, HS₄B, HSR₄W, HSR₄W/18, HSR₄B, HSR₄B/18

Model No.	Description	Color
HS ₄ W	Hood only	White
HS ₄ B	Hood only	Brown
HSR ₄ W	Hood only	White
HSR ₄ W/18	Hood only	White
HSR ₄ B	Hood only	Brown
HSR ₄ B/18	Hood only	Brown
SVHCW ₄	Hood/pipe unassem.	White
SVHCB ₄	Hood/pipe unassem.	Brown
SVHXW ₄	Hood/pipe assem.	White
SVHAW ₄	Hood/pipe assem.	White
SVHAB ₄	Hood/pipe assem.	Brown
SVHUW ₄	Hood/pipe unassem.	White
SVHUB ₄	Hood/pipe unassem.	Brown

Performance Data

for plastic molded vent hoods

Hood

- Calcium filled Polypropylene
- Melting point: 325° F+
- UV Inhibitor added

Pipe

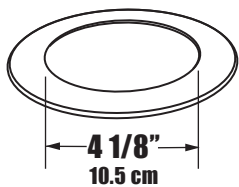
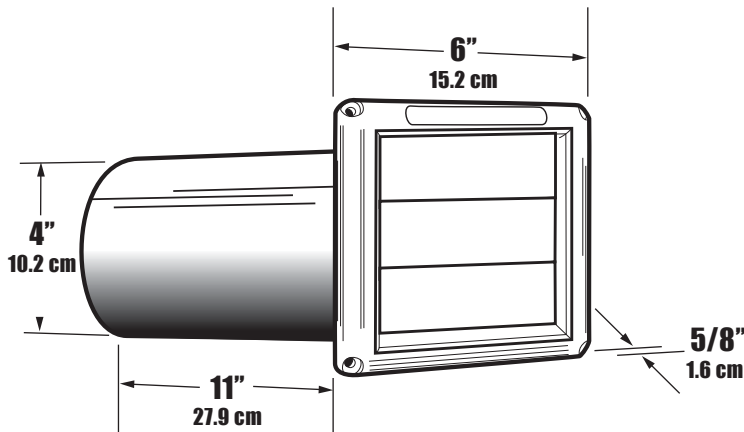
- Aluminum

Collar

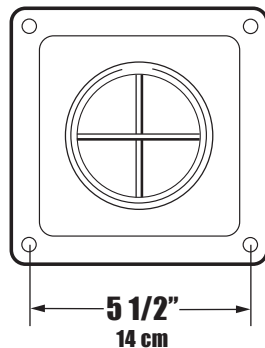
- High impact styrene

General Information

- 4" dia. opening
- quick, easy installation
- louvered construction helps prevent wind and rain from entering vent
- opens with ease for maximum airflow
- durable weather resistant
- curved louvers for quieter operation



Plastic collar



Rear View

Molded for easy connection of pipe



Side View

Hood Dia.	CFM	Tested	p/d in/w.c.
4" (10.2 cm)	50	✓	.045
4" (10.2 cm)	75	✓	.056
4" (10.2 cm)	100	✓	.052
4" (10.2 cm)	125	✓	.043
4" (10.2 cm)	150	✓	.042
4" (10.2 cm)	175	✓	.04
4" (10.2 cm)	200	✓	.032