

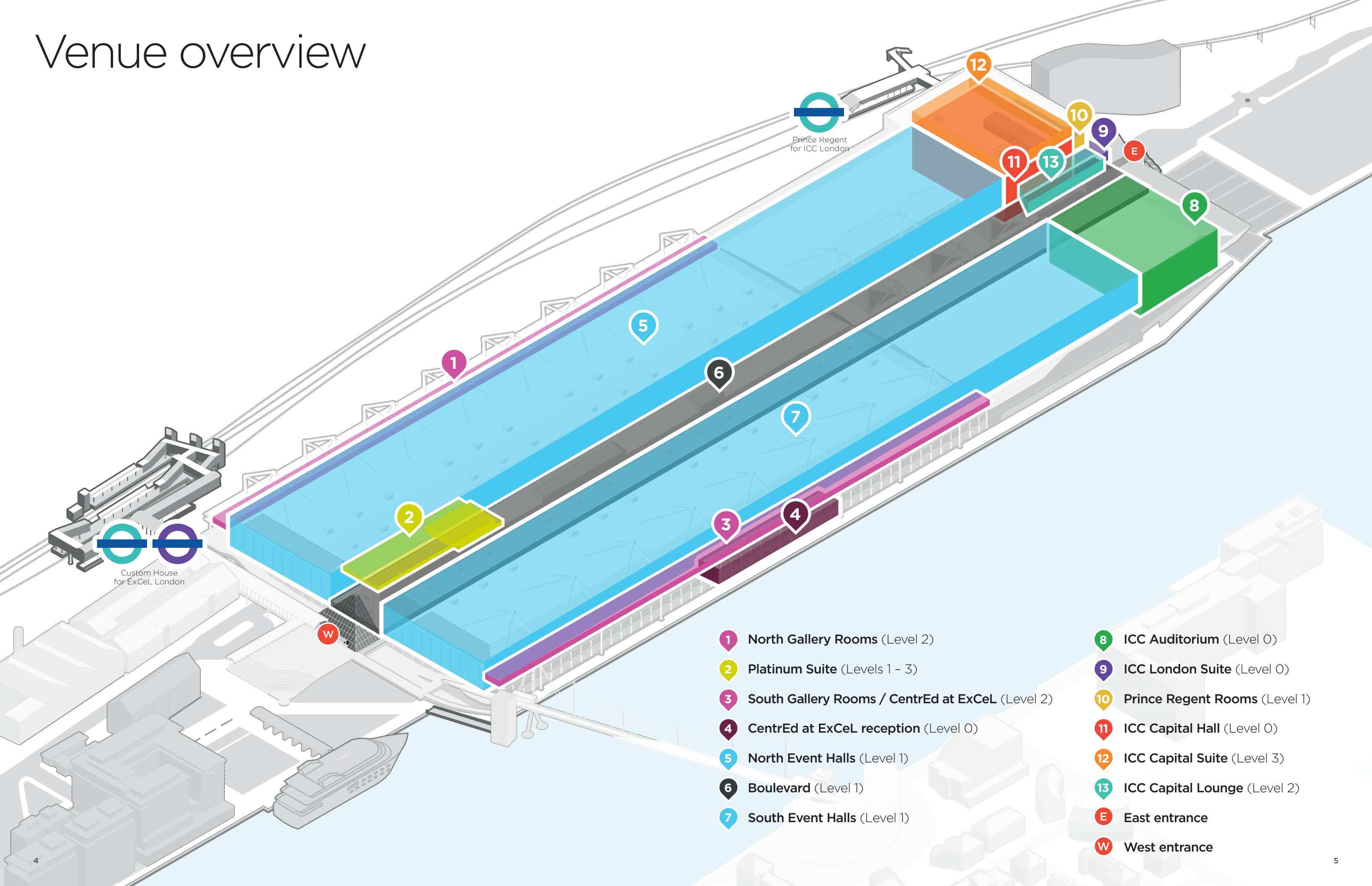
Vital statistics

Technical details, floor plans
and capacity charts

The technical stuff



Venue overview



Custom House
for ExCeL London

Prince Regent
for ICC London

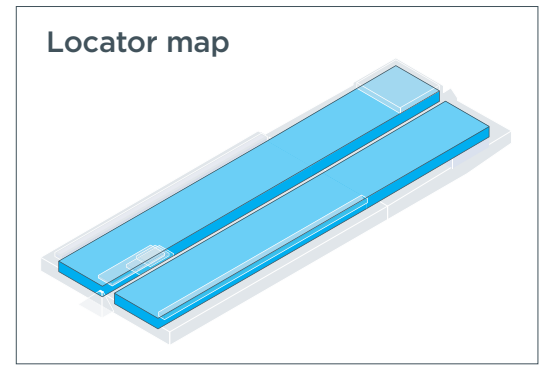
- 1 North Gallery Rooms (Level 2)
- 2 Platinum Suite (Levels 1 - 3)
- 3 South Gallery Rooms / CentrEd at ExCeL (Level 2)
- 4 CentrEd at ExCeL reception (Level 0)
- 5 North Event Halls (Level 1)
- 6 Boulevard (Level 1)
- 7 South Event Halls (Level 1)
- 8 ICC Auditorium (Level 0)
- 9 ICC London Suite (Level 0)
- 10 Prince Regent Rooms (Level 1)
- 11 ICC Capital Hall (Level 0)
- 12 ICC Capital Suite (Level 3)
- 13 ICC Capital Lounge (Level 2)
- E East entrance
- W West entrance

Event Halls

Level 1

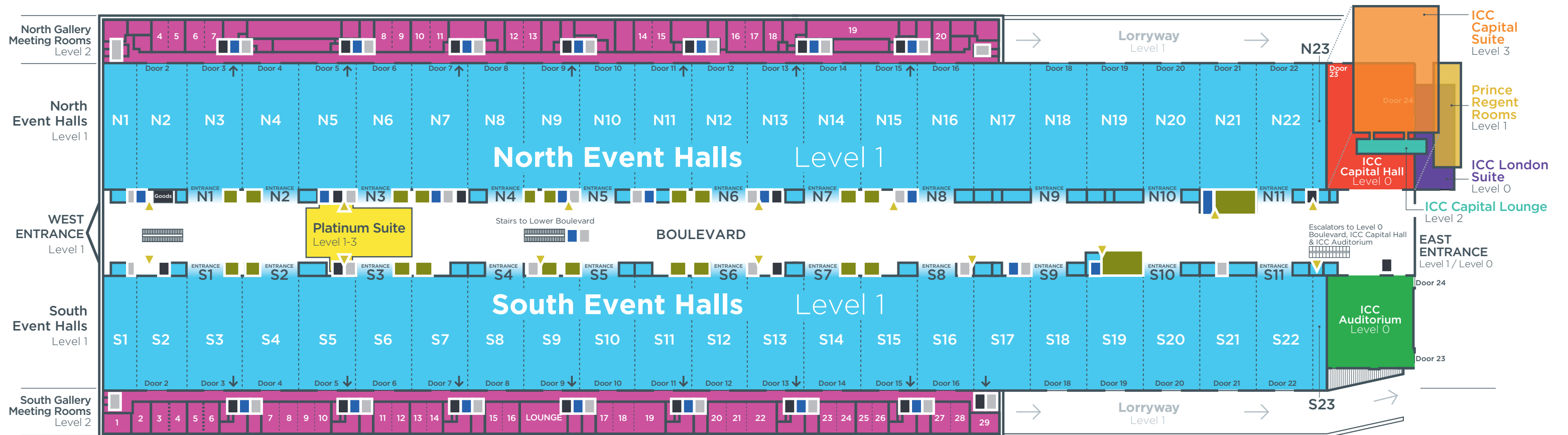
Key features

- 939,649 sq ft column free space (divided into North & South event halls)
- Partitioned floor space with moveable walls
- 21,520 sq ft hall modules: 283.4 ft (l) x 77 ft (w) x 33 ft (h)
 - N1 & S1: 283.4 ft (l) x 37.7 ft (w) x 33 ft (h)
 - N23 & S23: 283.4 ft (l) x 23.6 ft (w) x 33 ft (h)
- Easy visitor access from 129,120 sq ft (1,968 ft long) central boulevard
- Private lorryway accessing event halls with 24.6 ft (w) x 16.4 ft (h) drive-in doorways
- Event Hall floor weight loading: 18 kN/m²
- Marshalling area for 300 vehicles
- Permanent cabling including IT, electric, water, waste, compressed air, gas
 - Serviced by underfloor ducts every 16.4 ft North to South and 9.8 ft East to West
- Individually adjustable LED ceiling lights every 17.7 ft
- Ability to rig and truss from anywhere in the ceiling



Key

- **Organiser offices**
- **Toilets**
- **Lifts**
- **Stairs**



Platinum Suite

Levels 1, 2 & 3

Platinum Suite - capacity chart

Platinum room (Level 3) configuration options

	Area	Dimensions	Height	Theatre	*Schoolroom	*Cabaret	*Banquet	Reception	Boardroom
Room 1 or 2 or 3 or 4	4,218 sq ft	46 ft x 92 ft	15 ft	360	200	192	240	360	n/a
Rooms 1+2 or 3+4	8,436 sq ft	92 ft x 92 ft	15 ft	680	400	384	480	720	n/a
Rooms 1-4	16,871 sq ft	92 ft x 184 ft	15 ft	1,125	840	800	1,000	1,125	n/a
Titanium room	422 sq ft	12 ft x 35 ft	15 ft	n/a	n/a	20	n/a	15	20
Zinc room	241 sq ft	12 ft x 19 ft	15 ft	n/a	n/a	10	n/a	n/a	10
Organiser office	126 sq ft	10 ft x 13 ft	15 ft	n/a	n/a	8	n/a	n/a	6

Platinum lounge and rooms 5, 6 and 7 (Level 2) configuration options

	Area	Dimensions	Height	Theatre	*Schoolroom	*Cabaret	*Banquet	Reception	Boardroom
Full use of lounge and rooms	6,994 sq ft		15 ft	260	n/a	n/a	n/a	600	n/a
Room 5	560 sq ft	18 ft x 31 ft	15 ft	70	24	32	40	70	20
Room 6	732 sq ft	24 ft x 31 ft	15 ft	90	30	32	50	90	20
Room 7	560 sq ft	18 ft x 31 ft	15 ft	70	24	32	40	70	20
Full use of rooms 5, 6 and 7 only	1,851 sq ft	60 ft x 31 ft	15 ft	260	100	104	130	260	40
Rooms 5, 6, 7 and breakout reception	3,120 sq ft	60 ft x 51 ft	15 ft	n/a	n/a	160	200	300	40
Rooms 5+6	1,291 sq ft	42 ft x 31 ft	15 ft	180	80	80	100	180	30
Rooms 6+7	1,291 sq ft	42 ft x 31 ft	15 ft	180	80	80	100	180	30

All capacities subject to floorplan approval.

*Cabaret numbers based on a max of eight per table (using 5ft round tables); *Banquet numbers based on a max of ten per table (using 5ft round tables);

*Schoolroom numbers are based on three per table (using 6ft trestle tables)

Platinum rooms 1 to 4

Facilities

- Dimmable house lighting
- All rooms fully blacked out (except for fire lights and vision panels in doors)
- Heating and cooling
- 57Db noise resistant partition wall
- Feature wall lighting
- PA system

Door dimensions

- 4.9 ft (w) x 8.5 ft (h)

Freight lift dimensions & weight loading

- Lift size: 10.3 ft (w) x 19.3m (d) x 9.8 ft (h)
- Door size: 10.3 ft (w) x 9.8 ft (h)
- Weight loading: 11,330 lbs

Goods lift dimensions & weight loading

- Lift size: 5.6 ft (w) x 8.8 ft (d) x 7.7 ft (h)
- Door size: 4.2 ft (w) x 6.8 ft (h)
- Weight loading: 5,511 lbs

Maximum occupancy (entire suite)

- 1,125 people

Maximum loading

- Floor: 5.0 kN/m²
- Roof: 0.6 kN/m²
- Lighting bar loading is 150kg per singular bar with a load of 25kg per linear metre
- 6 additional rigging points per quarter which are 250kg per point load

Platinum Suite Lobby

- 25.2 ft x 99.5 ft
- Total - 2,507 sq ft

Additional power available on request

- 63 AMP 3 phase
- 125 AMP 3 phase
- 32 AMP 3 phase

Platinum rooms 5 to 7

Facilities

- Dimmable house lighting
- Heating and cooling
- 57Db noise resistant partition wall
- PA system

Door dimensions

- 4.9 ft (w) x 8.5 ft (h)

Maximum loading

- Floor: 5.0 kN/m²
- Roof: 0.6 kN/m²

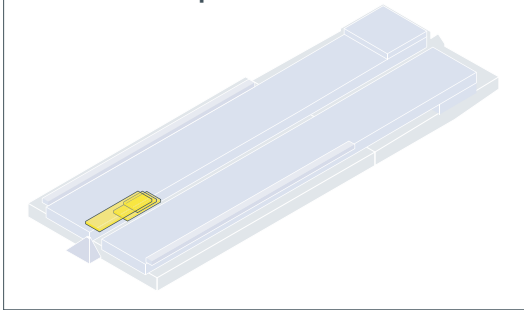
Equipment available on request

- Projector screen
- Ceiling projection mounting point

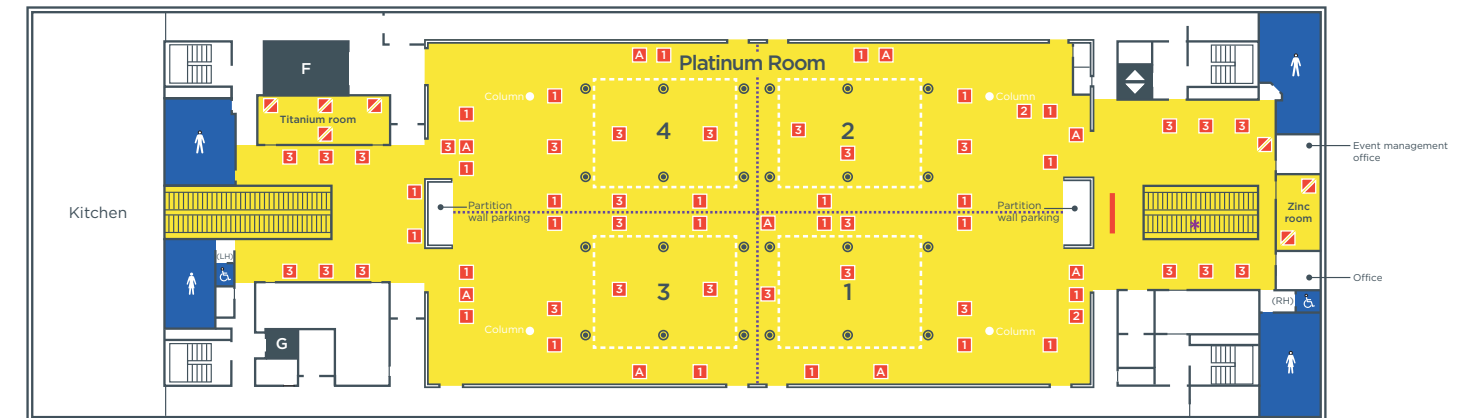
Key

- 1** Floor box type 1
2x 13 AMP sockets
4x jack plugs
- 2** Floor box type 2
2x 13 AMP sockets
1x 15 PIN female PC socket
1x video jack
2x 15 pair audio sockets (L & R)
1x 13 AMP projector plug
- 3** Floor box type 3
2x 13 AMP sockets
4x jack plugs + 2 spares
- A** 3 phase power supply available on request
- ⚡** Pair fused and switched 13 AMP sockets
- IM plasma screen
- ♂** Toilets
Male
- ♀** Female
- ♿** Accessible (RH/LH - Right/Left hand)
- ⬆** Lifts
Public
- G** Goods
- F** Freight
- ⋯** Partition wall
- ⊙** Rigging points (550lbs loads)
- Light bar/hanging point

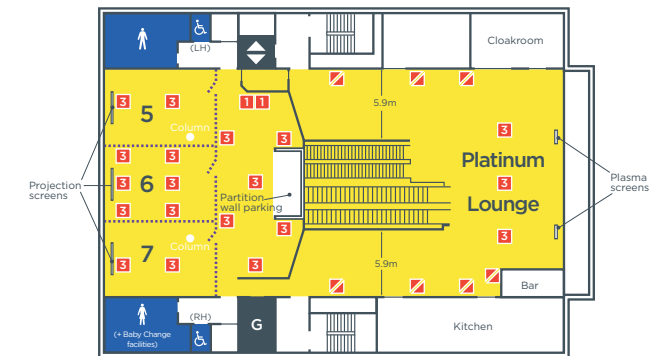
Locator map



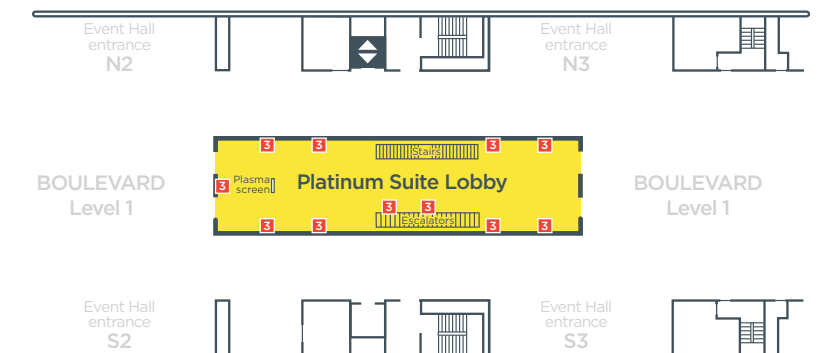
Platinum Suite - Level 3



Platinum Suite lounge and meeting rooms - Level 2

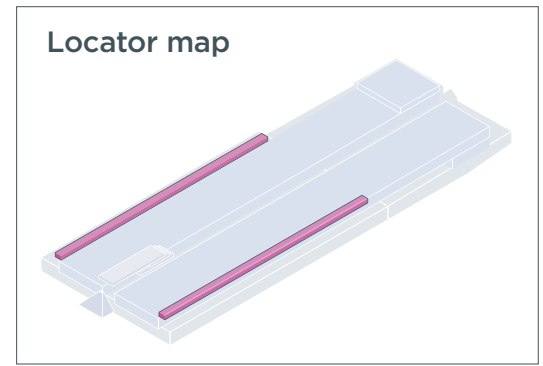


Platinum Suite lobby - Level 1 (Boulevard)



Gallery Rooms

Level 2

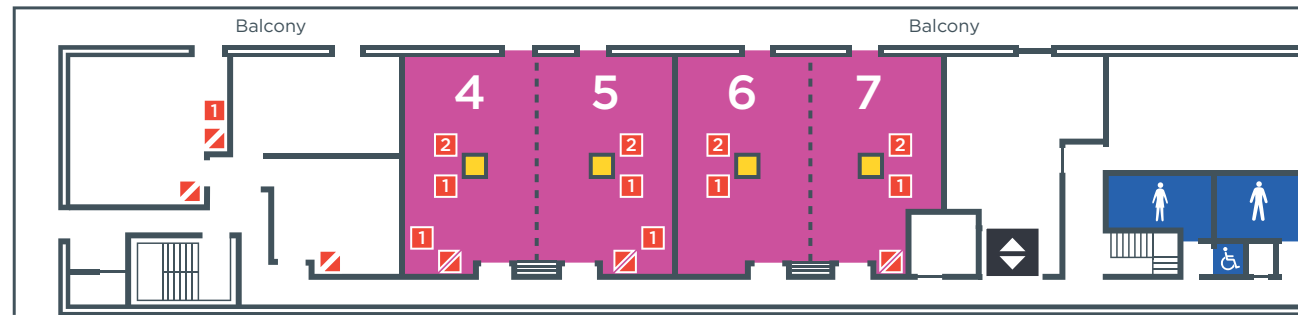


North Gallery Rooms



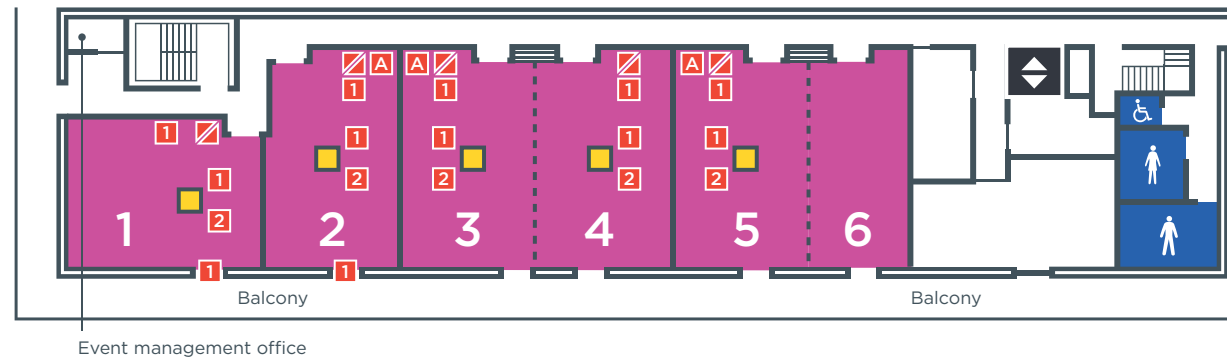
Please note: North Gallery Rooms 7, 11 and 18 are slightly indented due to the public lift

North Gallery Rooms detail plan - Rooms 4 to 7



Single room: 18, 19, 20
 Double room: 4+5, 6+7, 8+9, 10+11, 12+13, 14+15, 16+17

South Gallery Rooms detail plan - Rooms 1 to 6



South Gallery Rooms



Large single room: 3, 4, 5, 7, 8, 9, 11, 12, 13, 15, 16, 17, 18, 20, 21, 23, 24, 25, 27, 28, 29
 Small single room: 6, 10, 14, 26
 Large double room: 3+4, 7+8, 8+9, 11+12, 15+16, 17+18, 20+21, 23+24, 27+28
 Small double room: 5+6, 9+10, 13+14, 19, 22, 25+26

North Gallery Rooms - capacity chart

	Area	Dimensions	Height	Theatre	*Schoolroom	*Cabaret	*Banquet	Reception	Boardroom
North Gallery Room 4, 5, 6, 13, 15 or 17	979 sq ft	39 ft x 25 ft	10.2 ft	90	42	48	60	90	34
North Gallery Room 7, 11 or 18	904 sq ft	29 ft x 25 ft	10.2 ft	70	42	40	50	70	34
North Gallery Room 8, 9, 10, 12, 14, 16 or 20	968 sq ft	39 ft x 25 ft	10.2 ft	90	42	48	60	90	34
North Gallery Room 19	898 sq ft	76 ft x 41 ft	10.2 ft	248	80	120	160	248	66

South Gallery Rooms - capacity chart

	Area	Dimensions	Height	Theatre	*Schoolroom	*Cabaret	*Banquet	Reception	Boardroom	U shape
Large Single Room	1,044 sq ft	42 ft x 25 ft	10.2 ft	90	40	48	60	90	34	23
Small Single Room	764 sq ft	42 ft x 18 ft	10.2 ft	70	28	24	30	60	34	23
Large Double Room	1,985 sq ft	42 ft x 50 ft	10.2 ft	200	98	96	120	200	50	47
Small Double Room	1,720 sq ft	42 ft x 43 ft	10.2 ft	180	80	72	90	180	44	41
South Gallery Room 1	1,033 sq ft	28 ft x 36 ft	10.2 ft	90	40	48	60	90	34	23
South Gallery Room 2	1,022 sq ft	25 ft x 42 ft	10.2 ft	80	40	40	50	80	34	23
South Gallery Room 29	1,033 sq ft	28 ft x 36 ft	10.2 ft	90	40	48	60	90	34	23
South Gallery Rooms 8-10, 18+19 or 21+22	2,975 sq ft	42 ft x 74 ft	10.2 ft	304	118	144	180	304	60	65
South Gallery Rooms 7-10, 17-19 or 20-22	3,704 sq ft	42 ft x 93 ft	10.2 ft	400	156	184	230	400	70	83

All capacities subject to floorplan approval.
 *Cabaret numbers based on a max of eight per table (using 5ft round tables); *Banquet numbers based on a max of ten per table (using 5ft round tables);
 *Schoolroom numbers are based on three per table (using 6ft trestle tables)

Gallery Rooms (Level 2)

Facilities

- Dimmable house lighting
- All suites are acoustically sealed
- All rooms have sun blinds
- Audio visual equipment available on request
- Heating and cooling
- Wardrobes available in rooms 11-22
- Natural daylight

Door dimensions

- 4.6 ft (w) x 6.6 ft (h)

Maximum loading

- Breakout areas: 5.0kn/m²

Passenger lift dimensions & weight loading

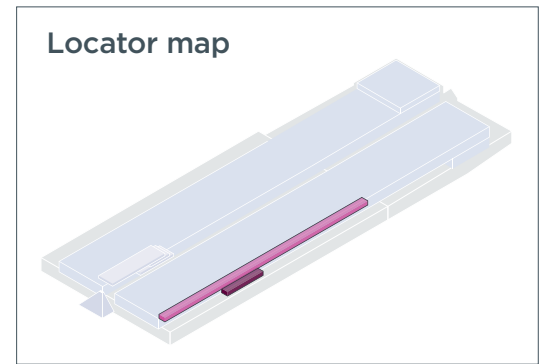
- Lift size: 3.6 ft (w) x 2.9 ft (d) x 6.9 ft (h)
- Door size: 3.6 ft (w) x 6.8 ft (h)
- Weight loading: 2,976 lbs

Key

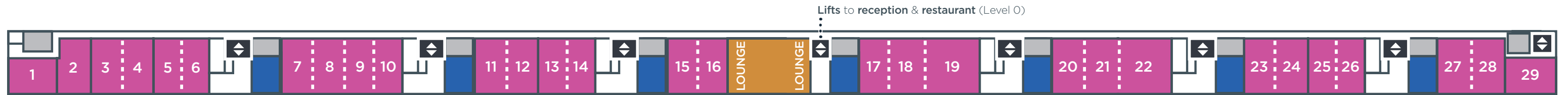
- 1** Floor box type 1
2x 13 AMP sockets
4x jack plugs
- 2** Floor box type 2
2x 13 AMP sockets
1x 15 PIN female PC socket
1x video jack
2x 15 pair audio sockets (L & R)
1x 13 AMP projector plug
- A** 3 phase power supply available on request. Location available on technical plans
- 1** Ceiling projector mount point available on request
- Projection screens**
Location available on technical plans
- ...** Partition wall
- Toilets**
Male
Female
Accessible (RH/LH - Right/Left hand)
- Public lifts**
- Stairs**

Meeting & training rooms

Levels 0 & 2



CentrEd at ExCeL - Level 2



Large single room: 3, 4, 5, 7, 8, 9, 11, 12, 13, 15, 16, 17, 18, 20, 21, 23, 24, 25, 27, 28, 29

Small single room: 6, 10, 14, 26

Large double room: 3+4, 7+8, 8+9, 11+12, 15+16, 17+18, 20+21, 23+24, 27+28

Small double room: 5+6, 9+10, 13+14, 19, 22, 25+26

CentrEd at ExCeL - Level 0



Lifts to reception & restaurant (Level 0)

CentrEd at ExCeL - capacity chart

	Area	Dimensions	Height	Theatre	*Schoolroom	*Cabaret	*Banquet	Reception	Boardroom	U shape	*Exam
Large Single Room	1,044 sq ft	42 ft x 25 ft	10.2 ft	90	40	48	60	90	34	23	28
Small Single Room	764 sq ft	42 ft x 18 ft	10.2 ft	70	28	32	40	60	34	23	20
Large Double Room	1,985 sq ft	42 ft x 50 ft	10.2 ft	200	98	96	120	200	50	47	56
Small Double Room	1,720 sq ft	42 ft x 43 ft	10.2 ft	180	80	80	100	180	44	41	42
South Gallery Room 1	1,033 sq ft	28 ft x 36 ft	10.2 ft	90	40	48	60	90	34	23	n/a
South Gallery Room 2	1,022 sq ft	25 ft x 42 ft	10.2 ft	80	40	40	50	80	34	23	n/a
South Gallery Room 29	1,033 sq ft	28 ft x 36 ft	10.2 ft	90	40	48	60	90	34	23	n/a
South Gallery Rooms 8-10, 18+19 or 21+22	2,975 sq ft	42 ft x 74 ft	10.2 ft	304	118	144	180	304	60	65	n/a
South Gallery Rooms 7-10, 17-19 or 20-22	3,705 sq ft	42 ft x 93 ft	10.2 ft	400	145	184	230	400	70	83	119

All capacities subject to floorplan approval.

*Cabaret numbers based on a max of eight per table (using 5ft round tables); *Banquet numbers based on a max of ten per table (using 5ft round tables); *Classroom numbers are based on three per table (using 6ft trestle tables); *Exam numbers based on single exam desk

Facilities

- Dimmable house lighting
- All suites are acoustically sealed
- All rooms have sun blinds
- Ceiling projection mounting point
- Heating and cooling
- Wardrobes available in rooms 11-22
- Natural daylight

Reception

- Direct access to car park
- Internet stations
- Lounge area with self-service coffee machines

Restaurant

- Seated restaurant for 250 people

Level 2

- Lounge: 2,163 sq ft
- Lounge capacity: 90 people

Level 0

- Lounge: 4,456 sq ft
- Lounge capacity: up to 300 people
- Restaurant: 4,886 sq ft

Door dimensions

- 4.6 ft (w) x 6.6 ft (h)

Maximum occupancy

- Single rooms: 90 people
- Double rooms: 200 people

Maximum loading

- Breakout areas: 5.0 kN/m²

Passenger lift dimensions & weight loading

- Lift size: 3.6 ft (w) x 2.9 ft (d) x 6.9 ft (h)
- Door size: 3.6 ft (w) x 6.8 ft (h)
- Weight loading: 2,976 lbs

Key

■ Partition wall

Toilets

- ♂ Male
- ♀ Female
- ♿ Accessible

◄ Public lifts

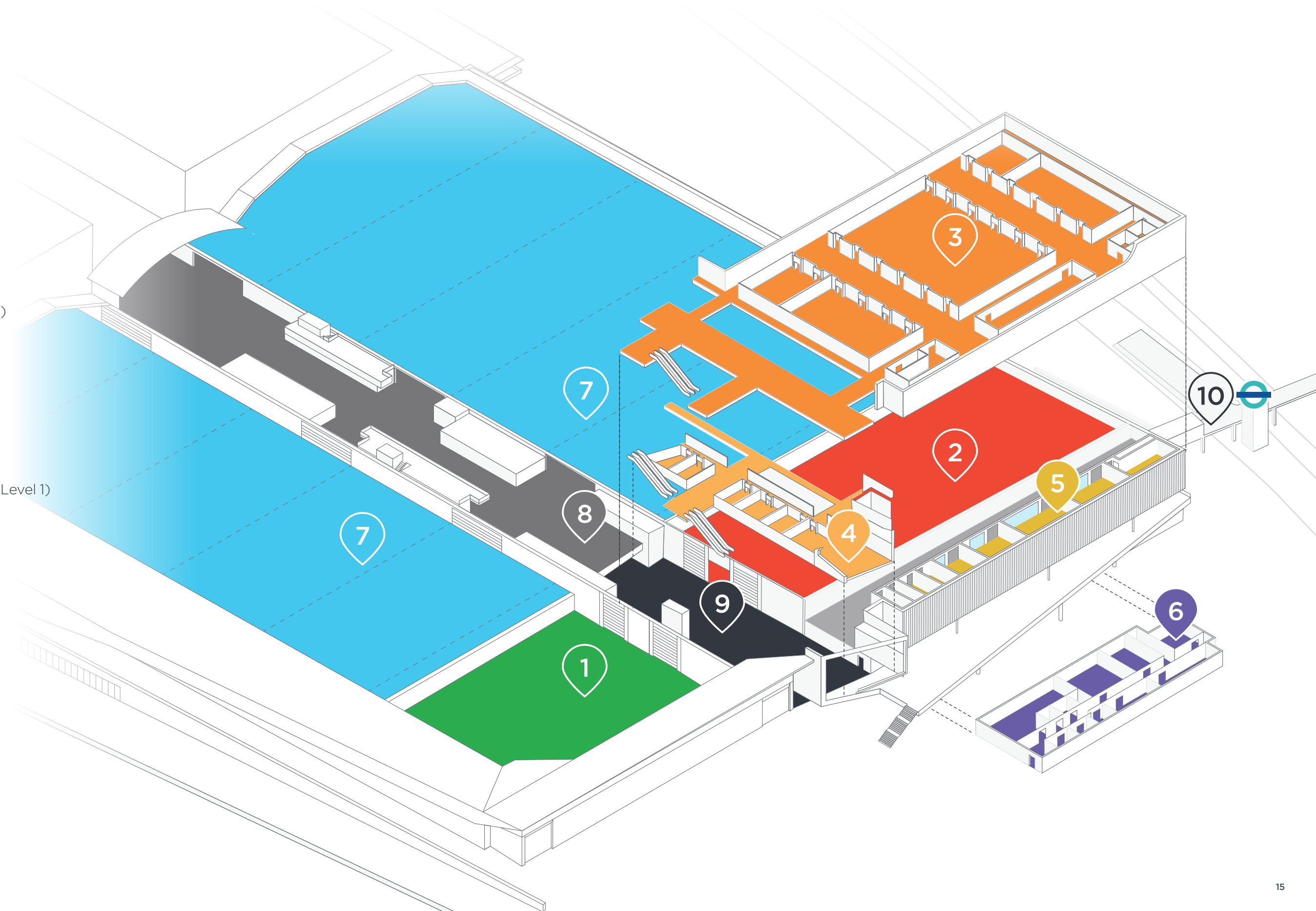
■ Stairs to Event Halls only

ICC London

Event spaces

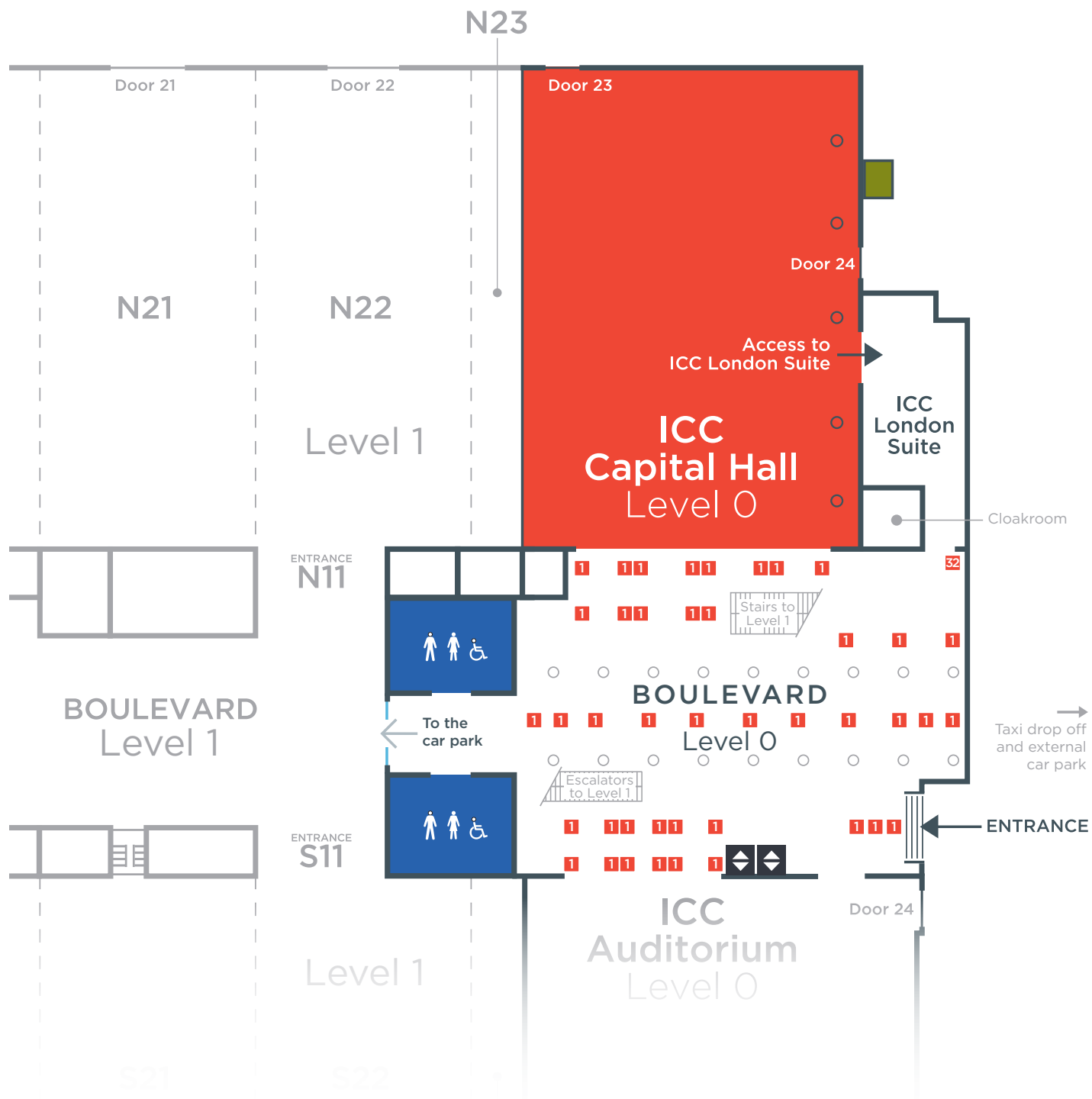
Key

- 1 ICC Auditorium (Level 0)
- 2 ICC Capital Hall (Level 0)
- 3 ICC Capital Suite (Level 3)
- 4 ICC Capital Lounge (Level 2)
- 5 Prince Regent Rooms (Level 1)
- 6 ICC London Suite (Level 0)
- 7 Event Halls (Level 1)
- 8 Boulevard (Level 1)
- 9 Boulevard (Level 0)
- 10 Prince Regent DLR walkway (Level 1)

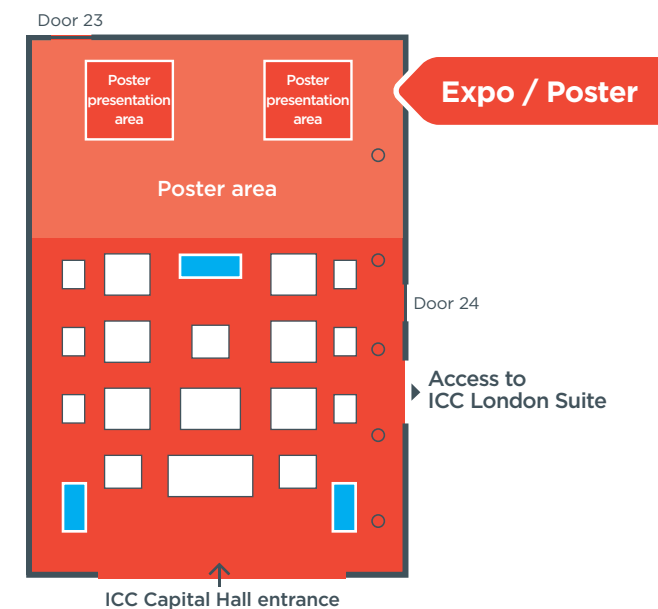
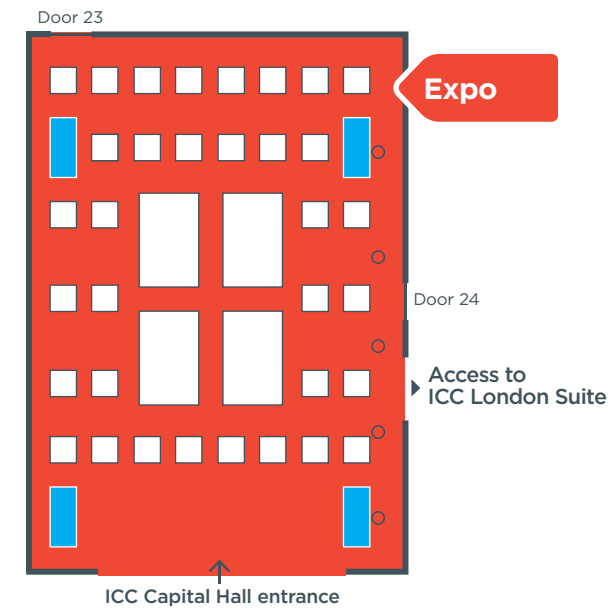
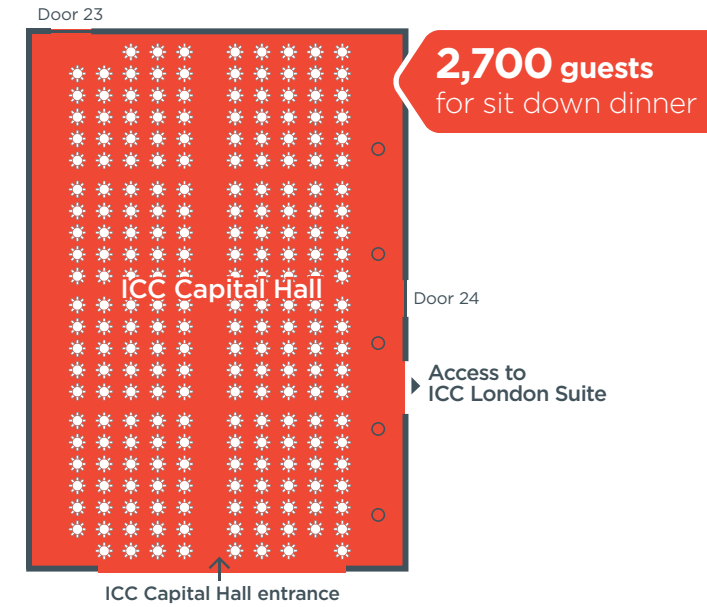


ICC Capital Hall

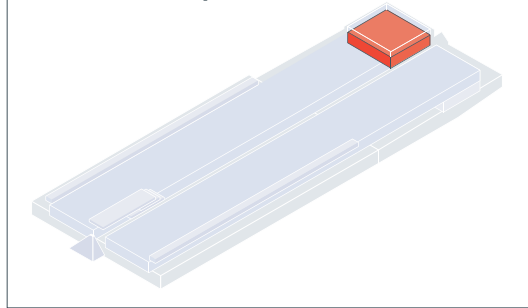
Level 0



Floor plan examples



Locator map



ICC Capital Hall (Level 0)

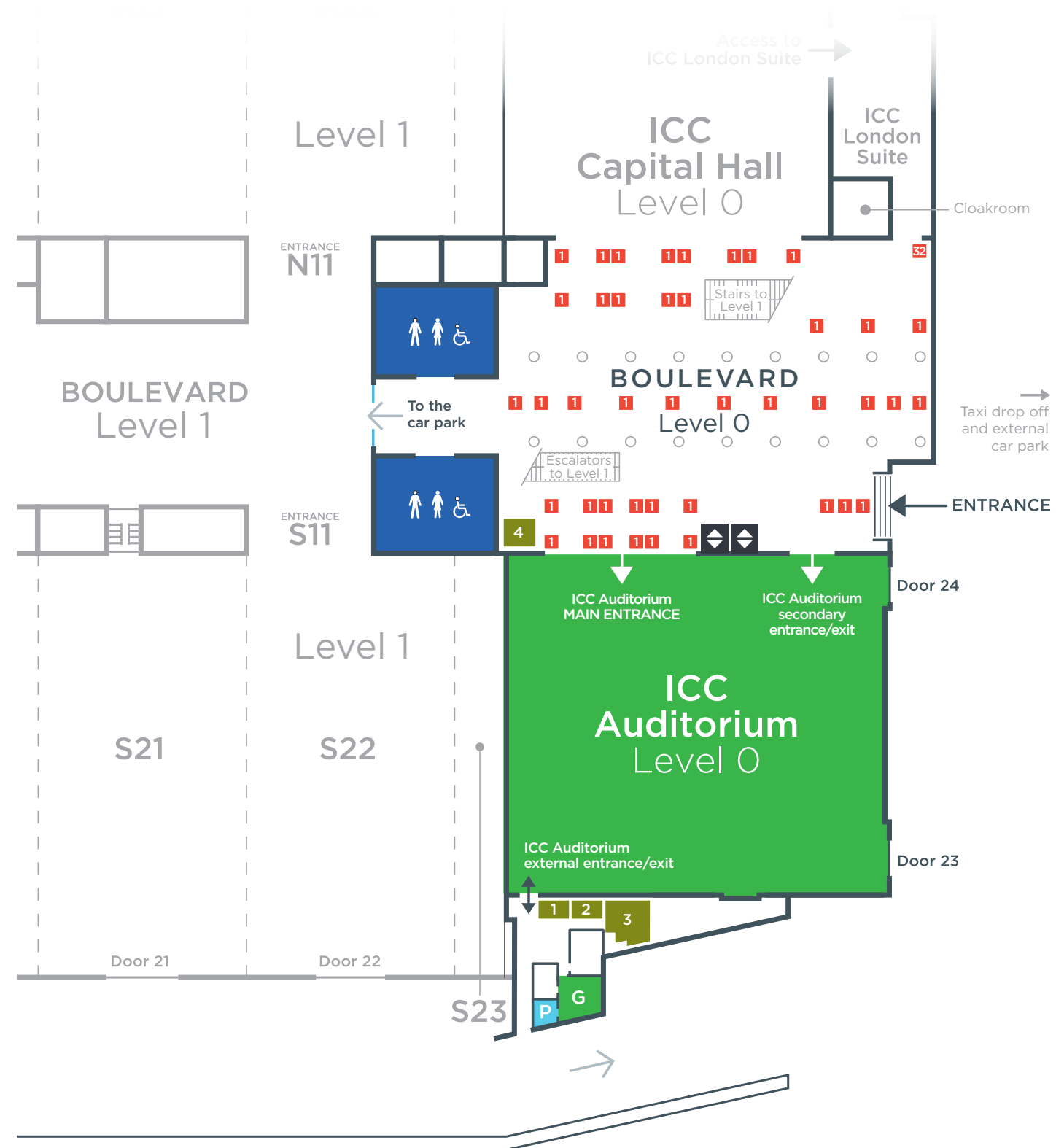
- Banquet for up to 2,700 guests
- Reception for up to 5,000 guests
- 48,527 sq ft space
- 283 ft (l) x 172 ft (w) x 32 ft (h)
- Lorry Doors (Door 23 and Door 24)
 - Door 24: 26 ft (w) x 17 ft (h)
 - Door 23: 24 ft (w) x 9 ft (h)
- Floor weight loading: 18 kN/m²
- Permanent cabling including IT, electric, water, waste, compressed air, gas
 - Serviced by underfloor ducts every 16.4 ft North to South and 9.8 ft East to West
- Production Kitchen (19,282 sq ft)
- Easy Access to and from the ICC Auditorium and direct access into ICC London Suite
- Organiser office
- Heating and cooling
- Boulevard: 18,346 sq ft

Key

- 1** Floor box type 1
2x 13 AMP sockets
4x jack plugs
- 32** 32 AMP single phase supply
- Organiser office**
- Columns**
- Toilets**
 - Male
 - Female
 - Accessible
- Public lifts**
- Tables & chairs** (using 5ft round tables)
- Exhibition stands**
- Catering**

ICC Auditorium

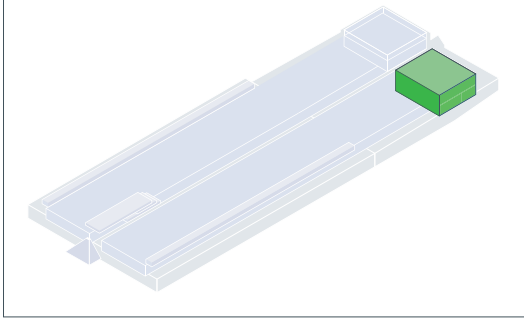
Level 0



Floor plan examples



Locator map



ICC Auditorium (Level 0)

- Seating for up to 4,200 delegates*
- 49,528 sq ft space
- 238 ft (l) x 208 ft (w) x 49 ft (h)
- Acoustic panelling
- 7.2m wide drive-in doorways
- Floor weight loading: 18 kN/m²
- Permanent cabling including IT, electric, water, waste, compressed air, gas
 - Serviced by underfloor ducts every 16.4 ft North to South and 9.8 ft East to West
- Auditorium backstage rooms:
 - Green room: 28.5 ft x 28 ft, 662 sq ft total. Including furniture, phone, plasma screen, service pantry, toilets and shower
 - Organiser office 1: 7.3 ft x 21 ft, 147 sq ft total
 - Organiser office 2: 7.3 ft x 21 ft, 147 sq ft total
 - Organiser office 3: 26 ft x 26 ft, 686 sq ft total
 - Organiser office 4: 13 ft x 15.5 ft, 202 sq ft total
- AV and stage included
- Heating and cooling
- Easy access to and from ICC Capital Hall
- Boulevard: 18,346 sq ft

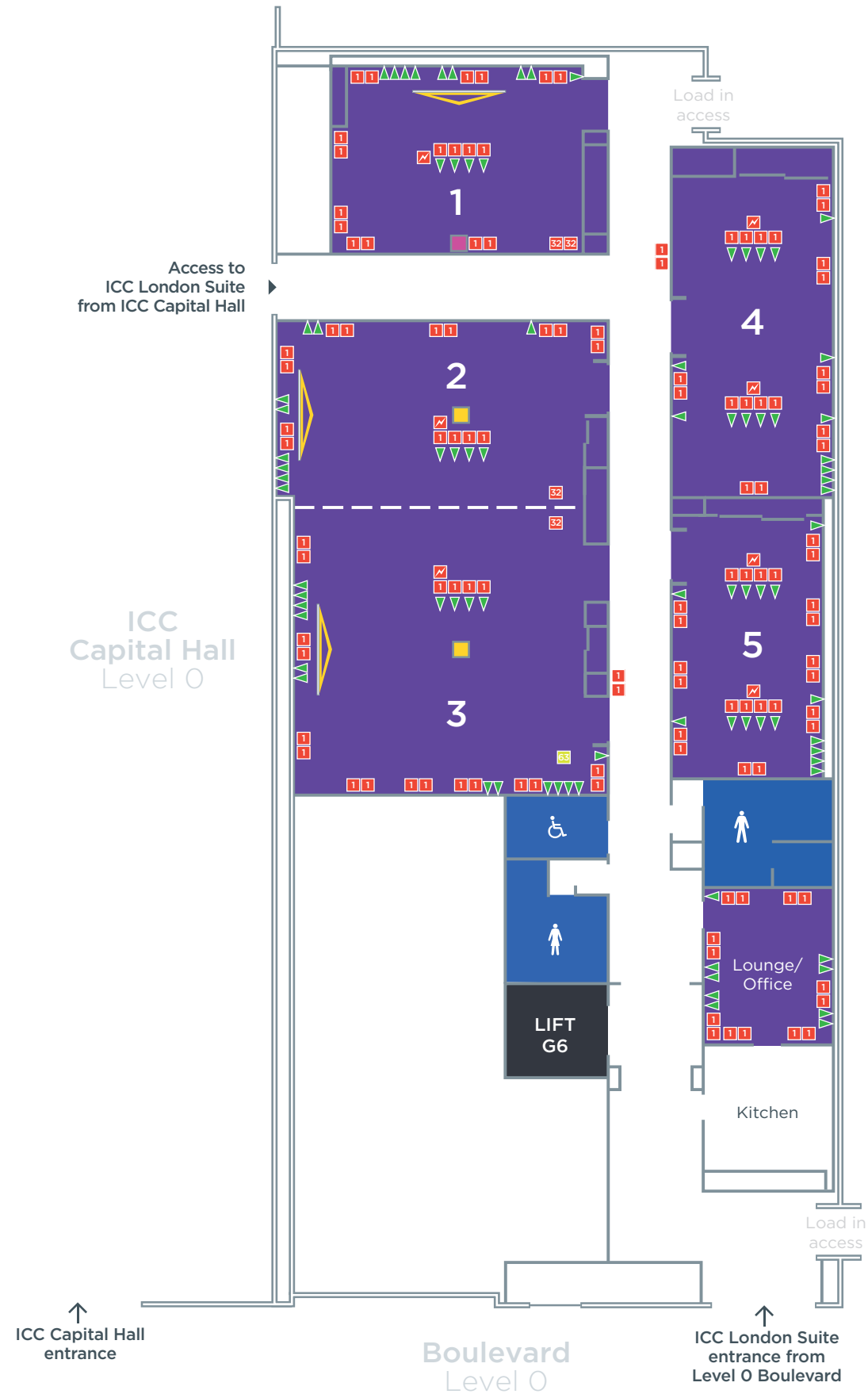
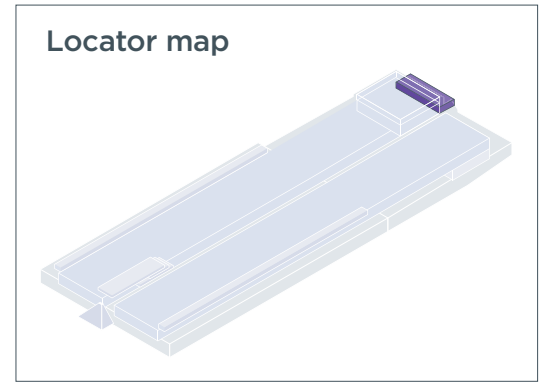
*Please note until 31st May 2022 capacity is reduced to 3,000

Key

- 1** Floor box type 1
 - 2x 13 AMP sockets
 - 4x jack plugs
- 32** 32 AMP single phase supply
- 4** Organiser offices
- P** Pantry
- G** Green room
- Columns
- Toilets**
 - ♂** Male
 - ♀** Female
 - ♿** Accessible
- ⬆** Public lifts
- ▒** Tiered seating
- Flat floor seating
- }** Drape

ICC London Suite

Level 0



ICC London Suite - capacity chart

	Area	Dimensions	Height	Theatre	*Schoolroom	*Cabaret	*Banquet	Reception	Boardroom	U shape
Room 1	592 sq ft	28 ft x 21 ft	10.9 ft	56	18	32	40	56	20	16
Room 2	764 sq ft	34 ft x 21 ft	10.9 ft	60	24	32	40	60	24	20
Room 3	1,098 sq ft	32 ft x 32 ft	10.9 ft	112	40	48	60	112	32	24
Room 4	646 sq ft	36 ft x 17 ft	9.2 ft	60	24	24	30	60	22	n/a
Room 5	538 sq ft	30 ft x 17 ft	9.2 ft	50	16	16	20	50	20	n/a
Lounge/Office	215 sq ft	13 ft x 16 ft	9.2 ft	n/a	n/a	n/a	n/a	n/a	n/a	n/a
Rooms 2+3	1,861 sq ft	54 ft x 32 ft	10.9 ft	200	72	80	100	200	n/a	38

All capacities subject to floorplan approval.

*Cabaret numbers based on a max of eight per table (using 5ft round tables); *Banquet numbers based on a max of ten per table (using 5ft round tables);

*Schoolroom numbers are based on three per table (using 6ft trestle tables)

Facilities

- 5 individual meeting rooms for up to 200 delegates
- Wardrobe available in each room
- Heating and cooling
- 45Db noise resistant partition wall (rooms 2 and 3)

Door dimensions

- 5.41 ft (w) x 6.69 ft (h)

Goods lift dimensions & weight loading

- Lift size: 5.9 ft (w) x 8.9 ft (d) x 8.2 ft (h)
- Door size: 4.6 ft (w) x 7.9 ft (h)
- Weight loading: 5,512 lbs

AV inclusions

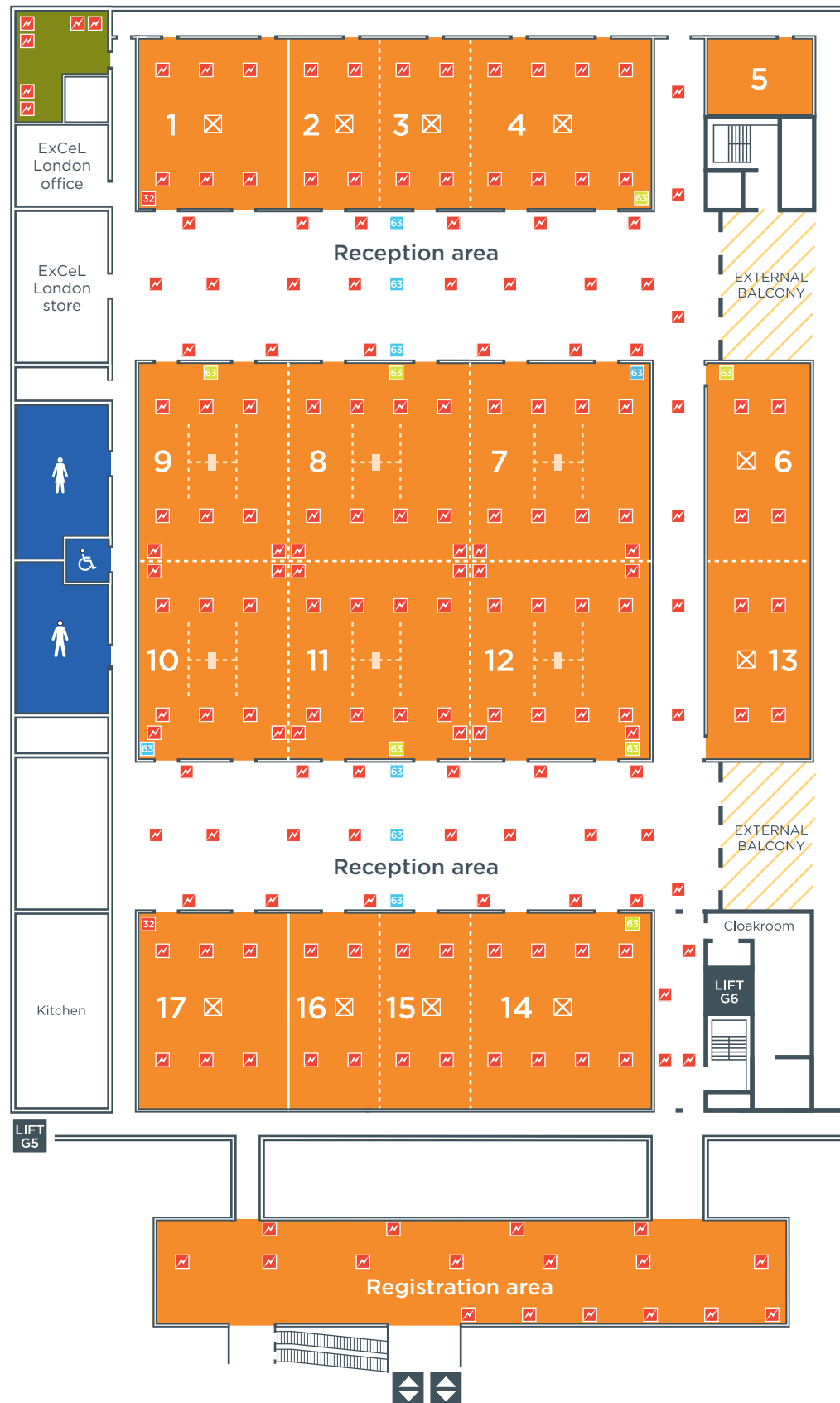
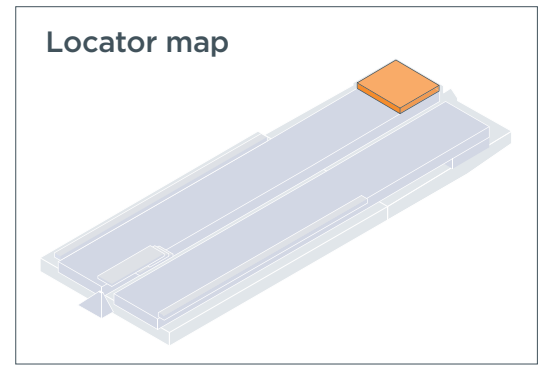
- Rooms 1 to 3:
 - 5K Lumens data projector
 - Projector screen
- Rooms 4 to 5 and lounge:
 - 47" LED screen

Key

- 13 AMP supply
- 32 AMP single phase supply
- 63 AMP single phase supply
- Floor box location with power and data outlets
- Partition wall
- Projection screens
- Ceiling mounted data projection
- Wall mounted data projection
- ▶ Data point
- Toilets**
 - ♂ Male
 - ♀ Female
 - ♿ Accessible
- Goods lift

ICC Capital Suite

Level 3



Key

- Individual fixing points to ceiling
50mm dia stainless steel CHS rated at 25kgs with adjacent grommet connection panel.
- 32 AMP single phase supply
- 63 AMP single phase supply
- 63 AMP three phase supply
- Floor box location with power and data outlets
- Rigging frame
48.3mm dia stainless steel
125kgs per bar, 50kgs per metre with adjacent grommet connection panel
- Partition wall
- Organiser office
- Toilets**
- Male
- Female
- Accessible
- Public lifts
- Goods lifts

ICC Capital Suite - capacity chart

	Area	Dimensions	Height	Theatre	*Schoolroom	*Cabaret	*Banquet	Reception	Boardroom	U shape
Room 1	1,743 sq ft	42 ft x 42 ft	12 ft	150	75	80	100	150	30	36
Room 2	1,033 sq ft	25 ft x 42 ft	12 ft	88	44	48	60	88	20	22
Room 3	1,033 sq ft	25 ft x 42 ft	12 ft	88	44	48	60	88	20	22
Room 4	2,109 sq ft	51 ft x 42 ft	12 ft	180	90	96	120	180	30	42
Room 5	581 sq ft	29 ft x 20 ft	12 ft	50	24	n/a	n/a	50	18	n/a
Room 6	1,453 sq ft	29 ft x 50 ft	12 ft	124	62	72	80	124	30	30
Room 7	2,453 sq ft	51 ft x 49 ft	14.4 ft	220	105	112	140	210	50	45
Room 8	2,464 sq ft	51 ft x 49 ft	14.4 ft	220	105	112	140	210	50	45
Room 9	2,044 sq ft	42 ft x 49 ft	14.4 ft	180	87	88	110	175	50	39
Room 10	2,044 sq ft	42 ft x 49 ft	14.4 ft	180	87	88	110	175	50	39
Room 11	2,464 sq ft	51 ft x 49 ft	14.4 ft	220	105	112	140	210	50	45
Room 12	2,453 sq ft	51 ft x 49 ft	14.4 ft	220	105	112	140	210	50	45
Room 13	1,453 sq ft	29 ft x 50 ft	12 ft	124	62	72	80	124	30	30
Room 14	2,475 sq ft	51 ft x 49 ft	12 ft	220	105	112	140	210	30	45
Room 15	1,216 sq ft	25 ft x 49 ft	12 ft	60	52	56	60	60	20	36
Room 16	1,216 sq ft	25 ft x 49 ft	12 ft	60	52	56	60	60	20	36
Room 17	2,044 sq ft	42 ft x 49 ft	12 ft	180	87	88	110	175	30	39
Rooms 2-4	4,175 sq ft	100 ft x 42 ft	12 ft	356	178	192	240	356	50	n/a
Rooms 6+13	2,905 sq ft	100 ft x 29 ft	12 ft	248	124	144	170	248	60	n/a
Rooms 7-12	13,923 sq ft	143 ft x 97 ft	14.4 ft	1,394	594	640	800	1,394	n/a	n/a
Rooms 14-16	4,907 sq ft	101 ft x 49 ft	12 ft	418	209	224	280	418	50	n/a

All capacities subject to floorplan approval.

*Cabaret numbers based on a max of eight per table (using 5ft round tables); *Banquet numbers based on a max of ten per table (using 5ft round tables); *Schoolroom numbers are based on three per table (using 6ft trestle tables)

Facilities

- Meeting space for up to 2,500 delegates
- 17 individual meeting rooms for up to 1,394 delegates
- Cloakroom
- Outside balconies: 6,099 sq ft total (3,049 sq ft each)
- Organisers office: 484 sq ft
- Registration area: 166 ft (l) x 26 ft (w), 1,378 sq ft total
- Two Reception areas: 153 ft (l) x 38.7 ft (w), 11,793 sq ft total (5,896 sq ft each)
- Maximum floor loading: 5.0 kN/m²
- 45Db noise resistant partition walls
- Heating and cooling
- Natural daylight in rooms 1, 2, 3, 4, 5, 6 and 13

Door dimensions

- 5.24 ft (w) x 7.54 ft (h)
- Distance between meeting room doors - 19.6 ft

Lift dimensions & weight loading

- Lift G5 size: 5.9 ft (w) x 8.9 ft (d) x 8.2 ft (h)
- Lift G6 size: 5.9 ft (w) x 8.9 ft (d) x 8.2 ft (h)
- Weight loading: 5,511 lbs

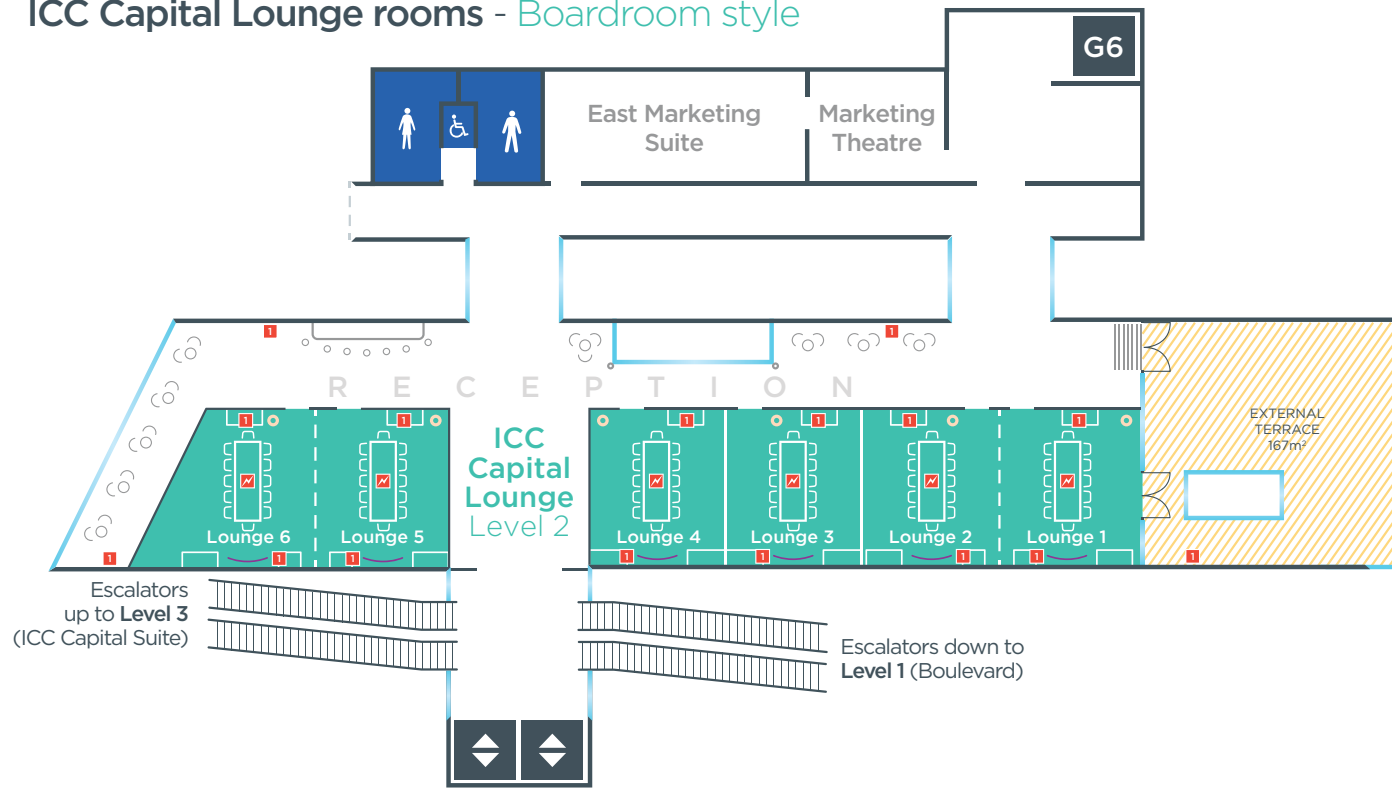
AV facilities

- Ability to relay video and sound feeds from one room to up to 15 other rooms at once
- Dimmable and programmable house light system
- Ability to deliver 'cable free' AV setups
- 63AMP or 32AMP power supplies available in each room

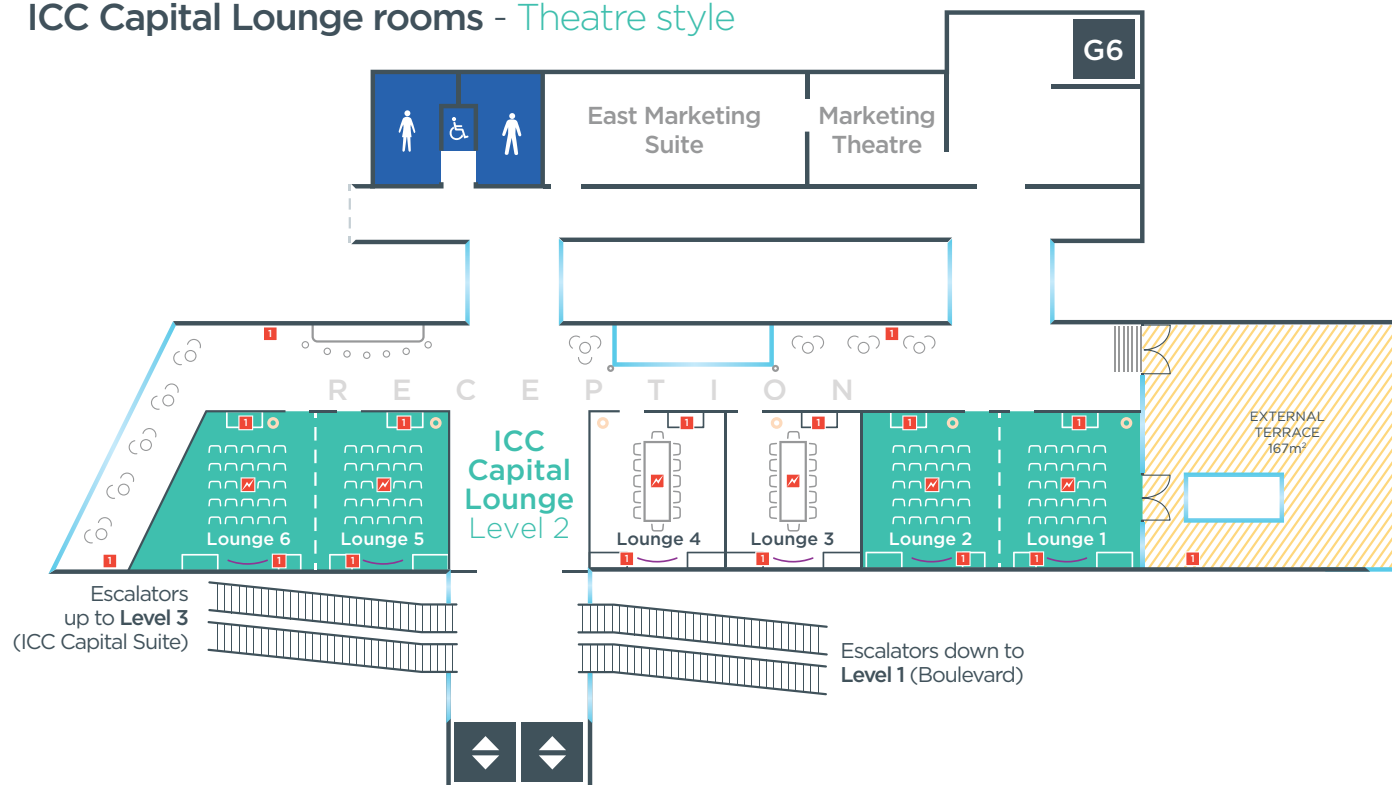
ICC Capital Lounge meeting rooms

Level 2

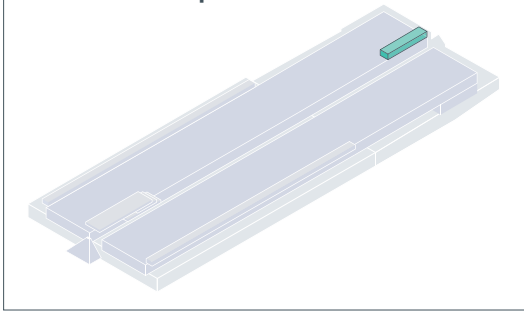
ICC Capital Lounge rooms - Boardroom style



ICC Capital Lounge rooms - Theatre style



Locator map



ICC Capital Lounge rooms - capacity chart

	Area	Dimensions	Height	Boardroom	Theatre
Room 1	398 sq ft	19 ft x 21 ft	8.9 ft	12	25
Room 2	441 sq ft	21 ft x 21 ft	8.9 ft	12	25
Room 3	420 sq ft	20 ft x 21 ft	8.9 ft	12	n/a
Room 4	420 sq ft	20 ft x 21 ft	8.9 ft	12	n/a
Room 5	387 sq ft	18 ft x 21 ft	8.9 ft	12	25
Room 6	366 sq ft	17 ft x 21 ft	8.9 ft	12	25
Rooms 1+2	839 sq ft	39 ft x 21 ft	8.9 ft	24	50
Rooms 5+6	753 sq ft	35 ft x 21 ft	8.9 ft	24	50

All capacities subject to floorplan approval

Facilities

- Executive style boardroom and chairs
- Intelligent glass providing privacy solutions
- Partition walls (rooms 1 & 2 and 5 & 6)
- Wardrobe in each room
- 45Db noise partition wall (rooms 1 & 2 and 5 & 6)
- Digital signage outside each room
- Digital screen at main entrance doors
- Natural daylight (room 1 or rooms 1 & 2 combined)
- Heating and cooling

Reception

- Capacity of 300 including reception area
- Breakout area with a hospitality unit
- 13AMP power points

AV Inclusions

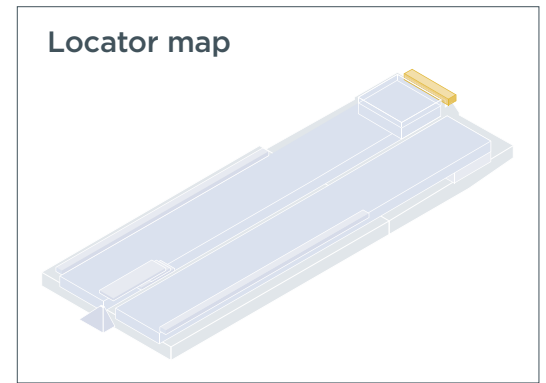
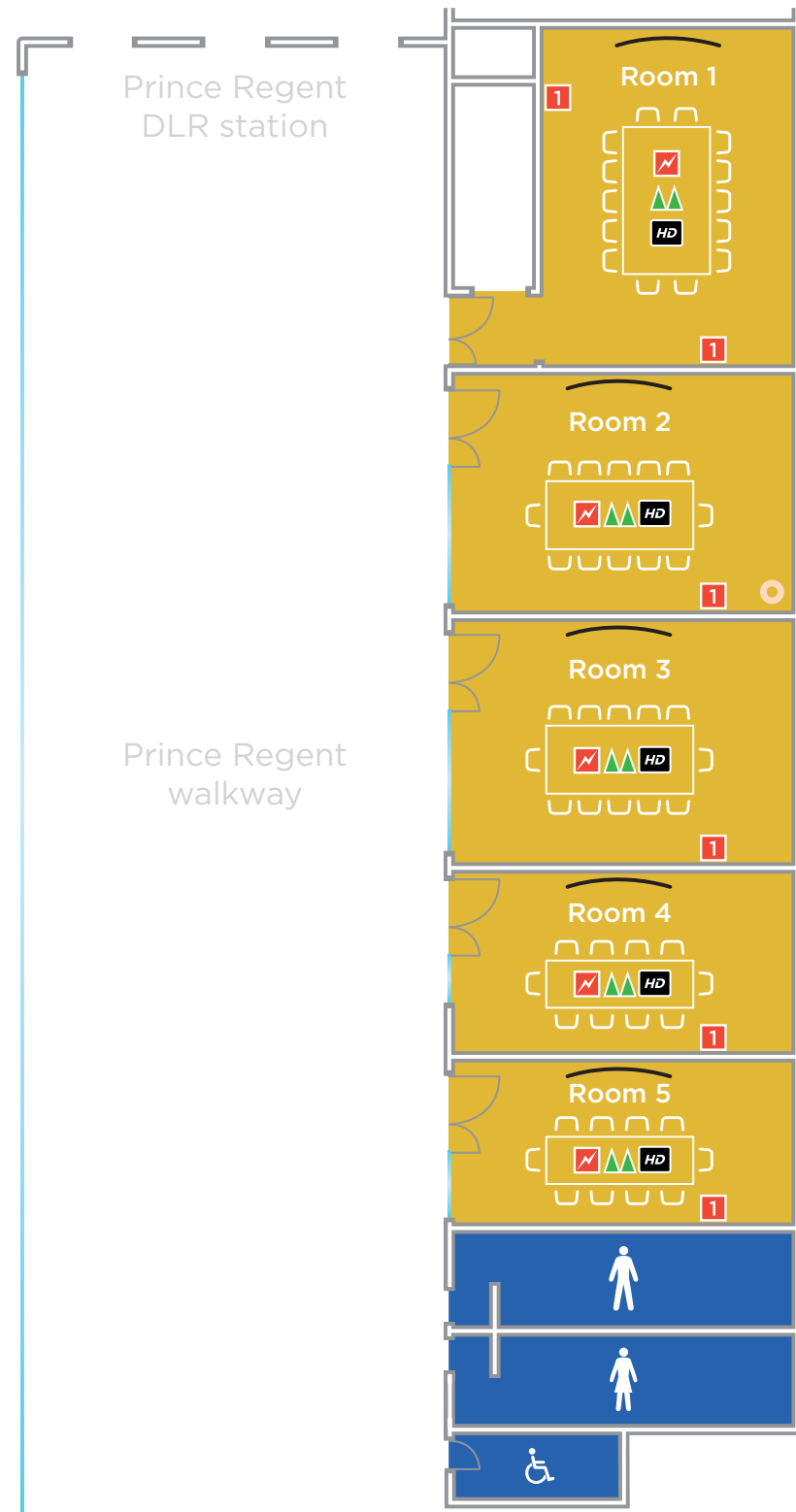
- 65" LED curved screens
- Built-in sound system
- Ability to stream content to two screens simultaneously (rooms 1 & 2 or 5 & 6 combined)

Key

- 1 13 AMP power points
- 13 AMP supply floor boxes
- Partition wall
- 65" LED curved screen
- Reception area seating
- Column
- Toilets
 - Male
 - Female
 - Accessible
- Public lifts
- Goods lifts

Prince Regent Rooms

Level 1



Prince Regent Rooms - capacity chart

	Area	Dimensions	Height	*Boardroom
Room 1	344 sq ft	16 ft x 21 ft	9.18 ft	14
Room 2	334 sq ft	22 ft x 16 ft	9.18 ft	12
Room 3	334 sq ft	22 ft x 15 ft	9.18 ft	12
Room 4	237 sq ft	22 ft x 11 ft	9.18 ft	10
Room 5	237 sq ft	22 ft x 11 ft	9.18 ft	10

*Boardrooms cannot be removed

Facilities

- Executive style boardroom set up
- AV facilities
- Natural daylight (rooms 1 to 4)
- Heating and cooling
- Temperature control

AV inclusions

- Room 1: 75" LED screen
- Rooms 2 to 5: 55" LED screen
- IT connections to link laptop to screen
- Conference phone

Key

- 13 AMP power points
- 13 AMP supply floor boxes
- Column
- HDMI outlet
- Data point
- Digital screen
- Toilets**
 - Male
 - Female
 - Accessible

EXCeL
LONDON

ExCeL London
One Western Gateway
Royal Victoria Dock
London E16 1XL

Telephone +44 (0)20 7069 4602

Sales Enquiries – Conferences & Events and Exhibitions
SalesEnquiries@excel.london

www.excel.london



About ADNEC Group

ADNEC Group is an international venue development and business management company. ADNEC Group's portfolio currently includes the Abu Dhabi National Exhibition Centre, the Gulf's largest exhibition centre; ExCeL London, the UK capital's largest conference and exhibition centre; the Al Ain Convention Centre, a brand new development in the historic city of Al Ain, Capital Gate, the UAE capital's iconic, gravity defying tower and a number of hotel projects. In addition ADNEC is master developer of the Capital Centre project, the world's first fully interconnected exhibition lifestyle destination.

ADNEC Group is developing its network both through acquisition and construction. The company's objective is to become the world's leading venue provider to the international exhibitions, conferences and live events industries by providing consistently high standards of venue facilities, management and client relationships, whilst capitalising on the synergies which exist within a global venue network.

ADNEC Group's Executive Office is located in Abu Dhabi, the capital city of the United Arab Emirates.

www.adnec.ae

