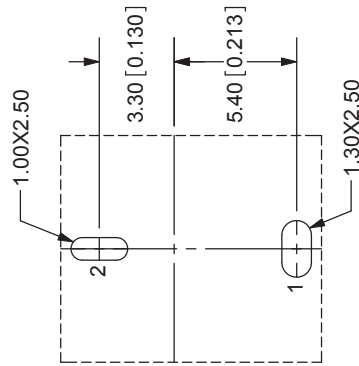
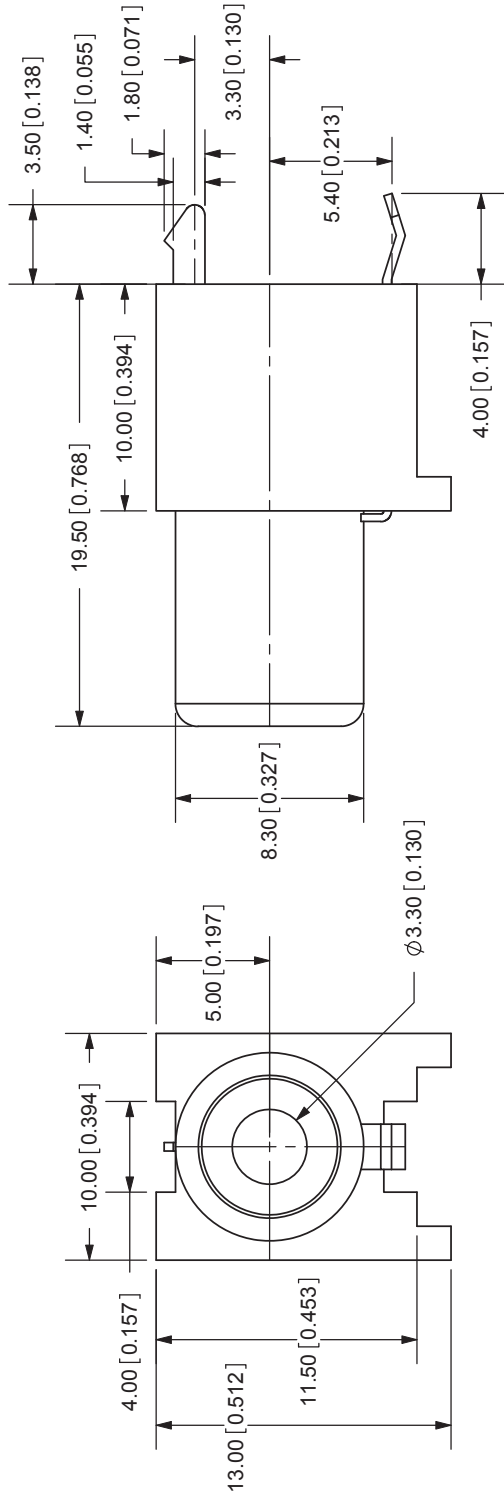


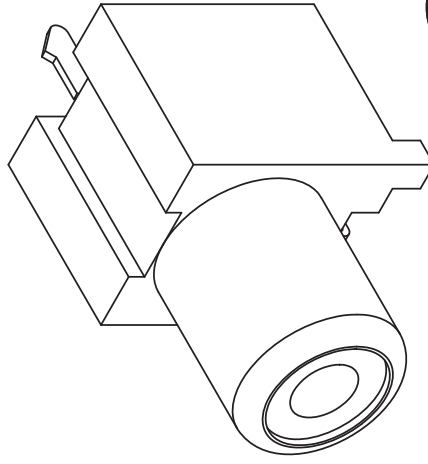
REV.	DESCRIPTION	DATE
A	NEW DRAWING	4/11/2006
B	title corrected from right angle to vertical	5/11/2009



MODEL NO.	RCJ-05X
SCHEMATIC	

COLOR INDEX	
PART NO.	COLOR
RCJ-051	Black
RCJ-052	Red
RCJ-053	White
RCJ-054	Yellow
RCJ-055	Blue
RCJ-056	Green
RCJ-057	Orange

**SPECIFICATIONS:**  
 CONTACT RESISTANCE: 30m OHMS MAX  
 INSULATION RESISTANCE: 100M OHMS MIN: 500V DC  
 VOLTAGE WITHSTAND: 500V AC R.M.S. FOR 1 MINUTE  
 LIFE: 5,000 CYCLES  
 OPERATING TEMP: -20° ~ +85°C



TOLERANCE:  
 ±0.3mm UNLESS OTHERWISE  
 SPECIFIED



20050 SW 112th Ave.  
 Tualatin, OR 97062  
 Phone: 503-612-2300  
 800-275-4899  
 Fax: 503-612-2383  
 Website: www.cui.com

TITLE:	RCJ JACK, VERTICAL, PCB MOUNT	REV:	B
PART NO.:	RCJ-05X	UNITS:	MM [INCHES]
DRAWN BY:	ZRJ	APPROVED BY:	
		SCALE:	3:1

EARTH TERMINAL (1)	MATERIAL	PLATING
PIN (2)	Brass	Nickel
HOUSING	Brass	Tin
	PA66	