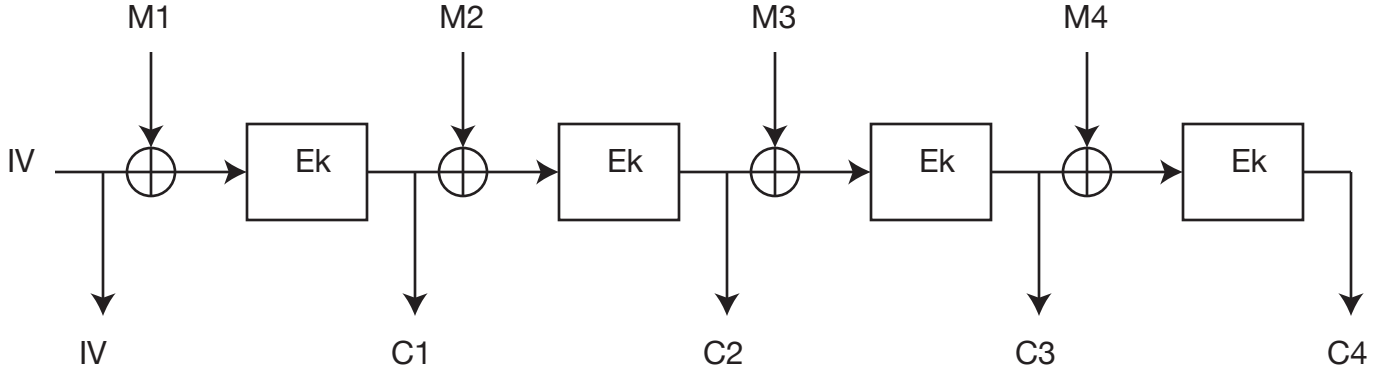


Cipher Block Chaining



Decode Cipher Feedback

